

Magnet Drive Gear Pumps MG 200 series



The “MG 200” Series magnet drive gear pumps are compact precision performance pumps for high technology applications.

The magnet drive principle provides a totally sealed pump chamber which is capable of handling a wide range of corrosive liquids with a high degree of safety. The housing of the pump and the internal metal parts are in AISI 316 L stainless steel and the gears are available in PTFE or Peek™.

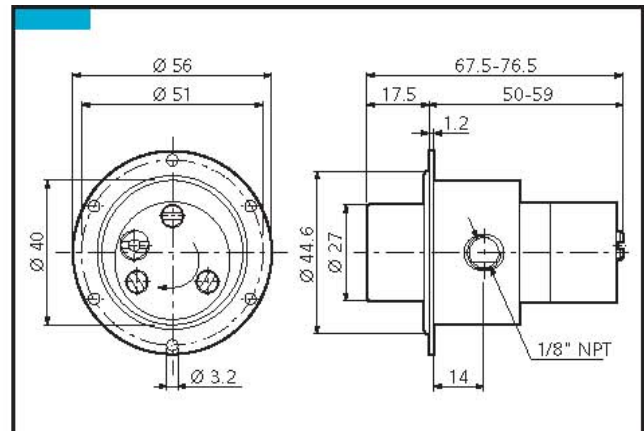
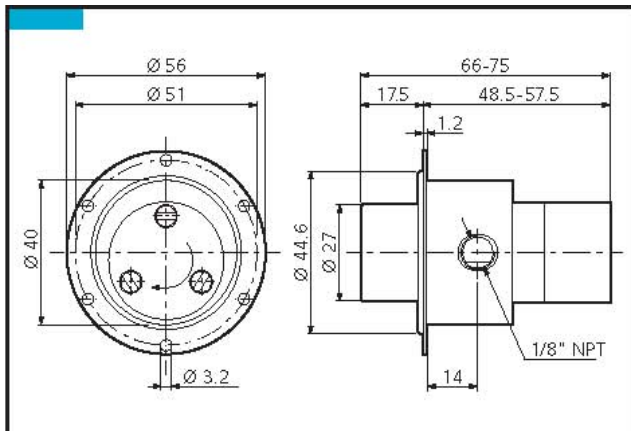
In operation the MG 200 Series pumps are noiseless, pulsation-free and capable of handling relatively high temperature liquids i.e. 120 °C (248 °F) with low coefficient of expansion.

The principle of the magnetic drive comprises an inner magnet embodied in the pump and connected to the drive gear, and an outer magnet connected to the motor shaft. The pole-to-pole alignment of the two magnets provides the driving motion to the pump. Decoupling will occur when the pump load exceeds the coupling torque between the magnets.

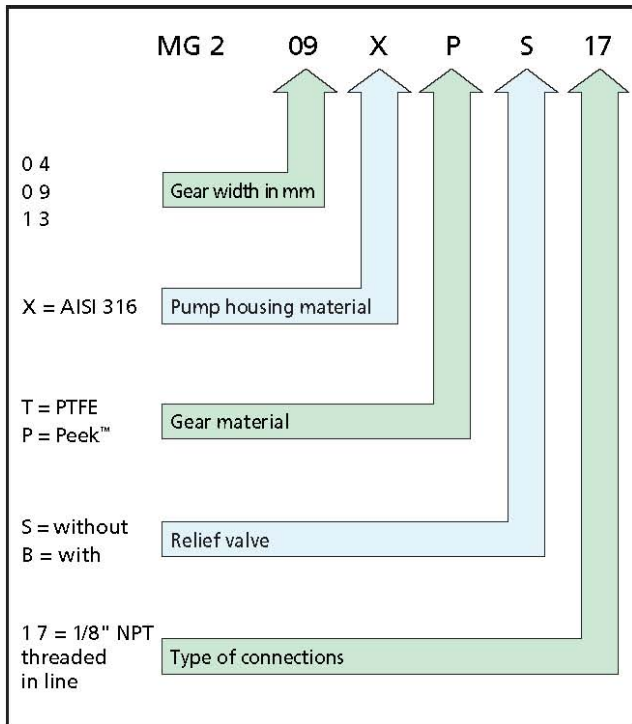
- 1/8" NPT female threaded intake/outlet
- Relief valve available upon request

Main Applications

- | | |
|----------------------------------|---|
| • Medical and surgical equipment | • Cooling systems |
| • Hemodialysis apparatus | • Laboratory instrumentation |
| • Seal flush | • Water purification and ultra-filtration |
| • Laser apparatus | • Sampling |
| • Lubrication | • Food processing equipment |
| • Ink-jet printing systems | |

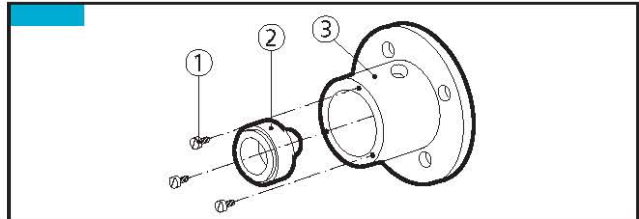


Magnet Drive Gear Pumps MG 200 series

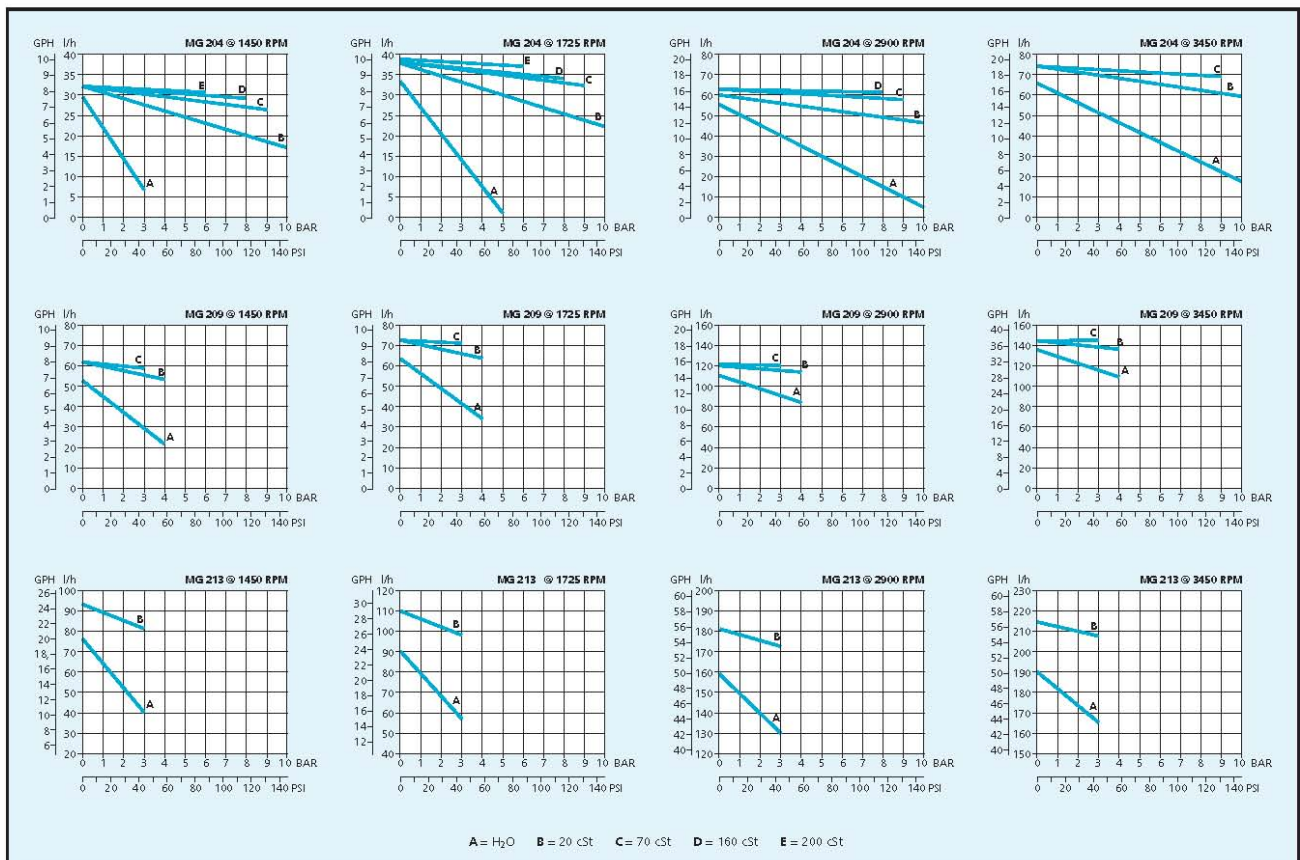


Composition materials			Technical informations	
Body	Gear	Seal	Temperature range	Max system pressure
316 SS	teflon	teflon	-45 to 50 °C / -49 to 122 °F	20 bar/290 psi
316 SS	peek™	teflon	-45 to 120 °C / -49 to 248 °F	20 bar/290 psi

Temperature requirement different from ambient temperature must be mentioned on the order



Pos.	Description	Features	Code
1	Screw	M3 x 6 AISI 304	6210030
2	Driving magnet	MGA 09	1250040
		MGA 11	1250050
		MGA 5/8*	1250120
3	Flange	M56 B14	5230000
		M63 B14	6230010
		NEMA 56C	6230410



Note: Characteristics with water at 20 °C and without by-pass, max vacuum mm Hg 724. Use filter before pump inlet not larger than 20 microns
Different materials are available upon request MG - 02/04 Ed.