
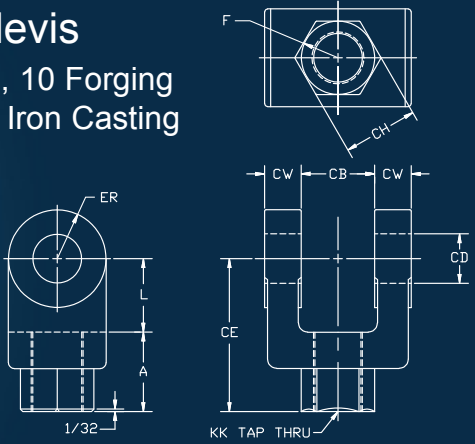


PART NUMBER	CB	CD	CE	CH	CW	F	L	A	KK	ER
BDC-05	0.765	1/2	1-1/2	1	1/2	1	3/4	3/4	7/16-20	1/2
BDC-07	1.265	3/4	2-3/8	1-1/4	5/8	1-1/4	1-1/4	1-1/8	3/4-16	3/4
BDC-10	1.515	1	3-1/8	1-1/2	3/4	1-1/2	1-1/2	1-5/8	1-14	1
BDC-13	2.032	1-3/8	4-1/8	2	1	2	2-1/8	2	1-1/4-12	1-3/8
BDC-17	2.531	1-3/4	4-1/2	2-3/8	1-1/4	2-3/8	2-1/4	2-1/4	1-1/2-12	1-3/4
BDC-20	2.531	2	5-1/2	2-15/16	1-1/4	2-15/16	2-1/2	3	1-7/8-12	2
BDC-25	3.032	2-1/2	6-1/2	3-1/2	1-1/2	3-1/2	3	3-1/2	2-1/4-12	2-1/2
BDC-30	3.032	3	6-3/4	3-7/8	1-1/2	3-7/8	3-1/4	3-1/2	2-1/2-12	2-3/4
BDC-35	4.032	3-1/2	8-1/2	5	2	5	4	4-1/2	3-1/4-12	3-1/2
BDC-40	4.532	4	10	6-1/8	2-1/4	6-1/8	4-1/2	5-1/2	4-12	4


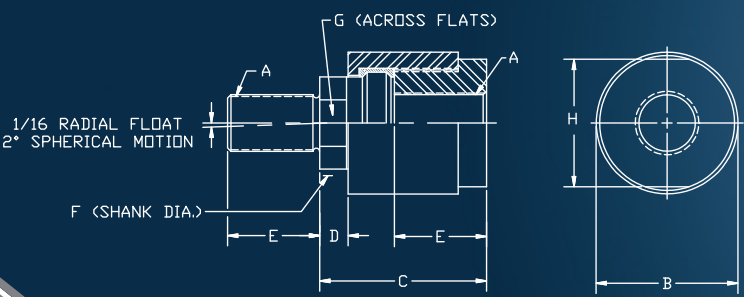
Rod Clevis

Material: 05, 07, 10 Forging
13 & Up Ductile Iron Casting

Alignment Coupler

1/16 Radial Float 2°

PART NUMBER	A	B	C	D	E	F	G	H	MAX PULL AT YIELD
BD-250F	1-1/4-28	7/8	1-1/4	1/4	5/8	.245	3/16	13/16	4,000
BD-312F	5/16-24	7/8	1-1/4	1/4	5/8	.308	1/4	13/16	4,000
BD-375C	3/8-16	7/8	1-1/4	1/4	5/8	.369	5/16	13/16	5,000
BD-375F	3/8-24	7/8	1-1/4	1/4	5/8	.370	5/16	13/16	5,000
BD-437F	7/16-20	1-1/4	2	1/2	3/4	5/8	9/16	1-1/8	10,000
BD-500C	1-1/2-13	1-1/4	2	1/2	3/4	5/8	9/16	1-1/8	14,000
BD-500F	1-1/2-20	1-1/4	2	1/2	3/4	5/8	9/16	1-1/8	14,000
BD-625F	5/8-16	1-1/4	2	1/2	3/4	5/8	1/2	1-1/8	14,000
BD-750C	3/4-10	1-3/4	2-5/16	5/16	1-1/8	31/32	7/8	1-1/2	34,000
BD-750F	3/4-16	1-3/4	2-5/16	5/16	1-1/8	31/32	7/8	1-1/2	34,000
BD-875F	7/8-14	1-3/4	2-5/16	5/16	1-1/8	31/32	7/8	1-1/2	34,000
BD-1000C	1-8	2-1/2	2-15/16	1/2	1-5/8	1-3/8	1-1/4	2-1/4	64,000
BD-1000F	1-14	2-1/2	2-15/16	1/2	1-5/8	1-3/8	1-1/4	2-1/4	64,000
BD-1250F	1-1/4-12	2-1/2	2-15/16	1/2	1-5/8	1-3/8	1-1/4	2-1/4	64,000
BD-1375F	1-3/8-12	2-1/2	2-15/16	1/2	1-5/8	1-3/8	1-1/4	2-1/4	64,000
BD-1500F	1-1/2-12	3-1/4	4-3/8	13/16	2-1/4	1-3/4	1-1/2	3	120,000
BD-1750F	1-3/4-12	3-1/4	4-3/8	13/16	2-1/4	1-3/4	1-1/2	3	120,000
BD-1875F	1-7/8-12	3-3/4	5-7/16	11/16	3	2-1/4	1-7/8	3-1/2	240,000
BD-2000F	2-12	3-3/4	5-7/16	11/16	3	2-1/4	1-7/8	3-1/2	240,000