

# Control pressure switch MDR 53



## Control pressure switch MDR 53

**Max. cut-out pressure 16 bar**  
**Ample wiring room**  
**High switching accuracy**  
**1 SPDT**  
**Acc. to EN 60947**  
**UL / CSA-approval**

## Type overview MDR 53

Order reference	ON / OFF	Pressure range P <sub>OFF</sub> in bar	Flange	Weight in g	Part No
MDR-53 EAA BAAA xxxA080 XAA XXX	-	0.5 - 8	G 1/2"	740	213079
MDR-53 GAA BAAA xxxA110 XAA XXX*	-	6 - 11	G 1/2"	780	216919
MDR-53 HAA BAAA xxxA160 XAA XXX	-	6 - 16	G 1/2"	780	213086
MDR-53 NAA BAAA xxxA030 XAA XXX**	-	up to 3	G 1/2"	740	213130
MDR-53 OAA BAAA xxxA080 XAA XXX**	-	up to 8	G 1/2"	740	213147

\* xxx = Cut-out pressure is preset, cut-in pressure is the tightest possible pressure differential.

\*\* xxx = Cut-out pressure is preset, cut-in pressure is the tightest possible pressure differential and pressure-resistant up to 25 bar, SO-Type.

A screw plug is also supplied.

Cable glands for retrofit assembly to be ordered separately, see accessories!

## Technical Data MDR 53

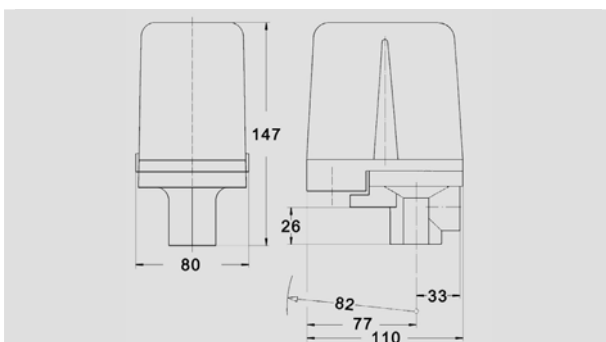
Technical Data MDR 53 acc. to EN 60947	
Rated insulation voltage U <sub>i</sub>	500 V
Rated operational current I <sub>e</sub> (AC 15)	8 A
Rated insulation voltage U <sub>e</sub> (AC 15)	250 V
Electrical life (AC 3) Cycles	> 2 x 10 <sup>5</sup>
Mechanical life Cycles	> 2 x 10 <sup>6</sup>
Max. electrical cycles Cycles/h	120
Max. mechanical cycles Cycles/h	1200
Rated operating current I <sub>e</sub>	10 A
Bursting strength P <sub>z</sub>	> 40 bar
Rated operating current I <sub>e</sub> at 240 V AC	- 5...+ 80 °C

Technical Data MDR 53 acc. to EN 60947	
Permissible media temperature Water	+ 80 °C
Protection acc. to EN 60529	IP 54
Conductor cross-section 1 .. flexible cable 1 x / 2 x	2.5 / 2.5mm <sup>2</sup>
Conductor cross-section 1 rigid cable 1 x / 2 x	2.5 / 2.5mm <sup>2</sup>

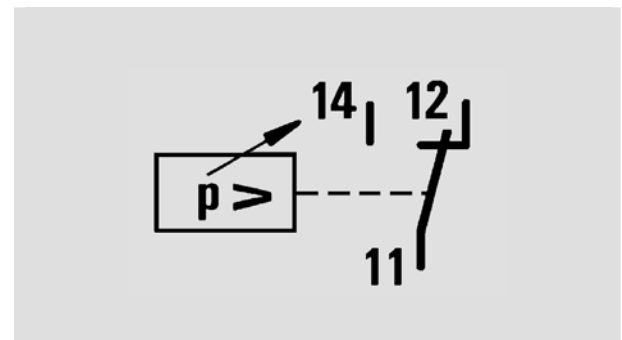
Diaphragm media resistance MDR 53	
Acetylene, Butane, Natural gas, Petroleum, Vinegar 25 %, Glycerol, Carbon dioxide, Air, Propane, Sulphur dioxide, Silicon oil, Water, Distilled water, Hydrogen, Sea water	resistance

A detailed overview of diaphragm media resistance for all pressure switches can be found on page 2.11.

## Dimensions / Circuit Diagrams MDR 53



Pressure switch MDR-53



# Control pressure switch MDR 53



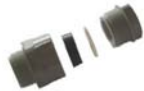
## Accessories MDR 53

Order reference	Description	Weight in g	Part No.
<b>Cable glands</b>			
WN 5	Grommet	6	201953
PG 16 V-5	Cable glands, complete	12	201960
PG 16 Z-5	With strain relief	12	201977
PG 16 ZK-5	With strain relief and cable support	12	201984
PG 16/13,5 Z	Reduced to PG 13,5 with strain relief	12	202004
PG 16/13,5 ZK	Reduced to PG 13,5 with strain relief and cable support	12	202011
PG 16/11 V-5	Reduced to PG 11	12	201991
MW 5	Mounting bracket	120	230045
<b>Cover</b>			
H5 (Cover MDR 5)	Cover without On/Off push-buttons	130	230052

## Cable glands MDR 53



WN 5



PG 16 V-5



PG 16 Z-5



PG 16 ZK-5



PG 16/11 V-5

## Accessories, Wall-mounting bracket / Cover MDR 53



MW 5



H5

# Control pressure switch MDR 53



## Pressure Diagrams MDR 53

