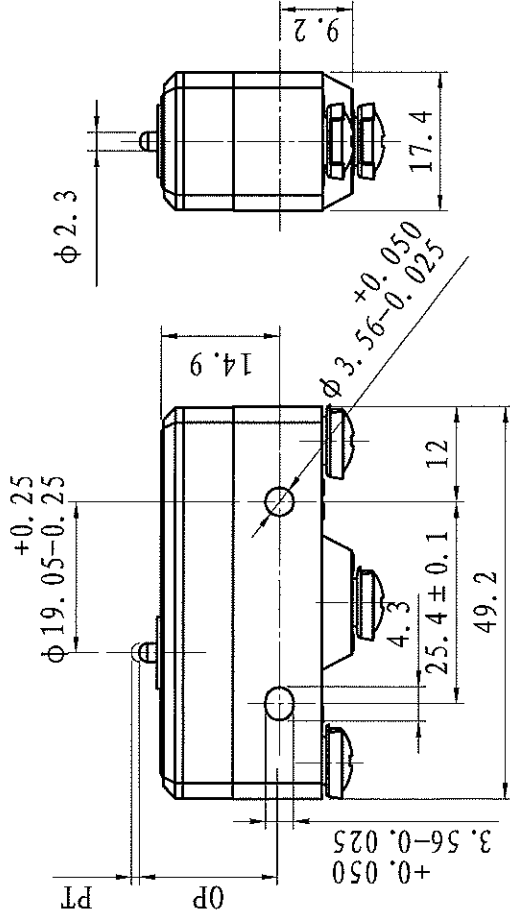
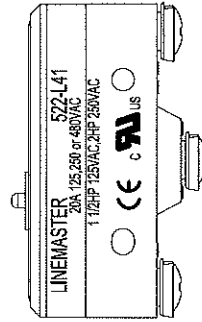


SPECIFICATION

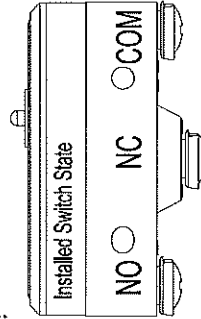
| | |
|-----------------------|-----------------------------------------------------------------------------------------------------------------------|
| Operating speed | 0.01mm-lm/sec |
| Operating Frequency | Mechanical: 240ops/min Electrical: 20 ops/min |
| Insulation resistance | >100Mohm@ 500VAC |
| Contact resistance | <15mΩ (initial) |
| Rated current/voltage | 20A, 125/250/480 VAC. 1.5HP, 125VAC; 2HP, 250VAC. |
| Operating temperature | -25° C~+105° C (No ice formation) |
| Dielectric strength | 1000 VAC for one minute between current carrying parts; 2500 VAC for one minute between non-current carrying parts |
| Service life | Mechanical: 1.0x10 ⁶ (operations) Electrical: 5x10 ⁵ (operations) |
| Humidity | 35%~80%RH (No ice formation) |
| Degree of protection | IP00 |
| Certificate | UL, cUL, CE |



Front Side:



Back Side:



| | | | | |
|-----|----------|------|--------|---------|
| 3 | | | | |
| 2 | | | | |
| 1 | | | | |
| REV | REVISION | DATE | CHG.BY | PCR/PCO |

| | | | |
|-----------------|------------|---------------|--------------|
| DESIGN UNITS:MM | | | |
| DRAWN: | | SIZE: FSCM NU | DWG NU |
| APPROVED: | | 522-L41 | REV |
| COC CONTR: | SCALE: 1:1 | | SHEET 1 of 1 |