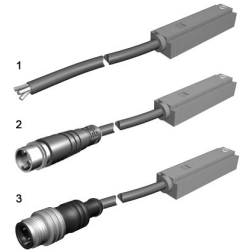
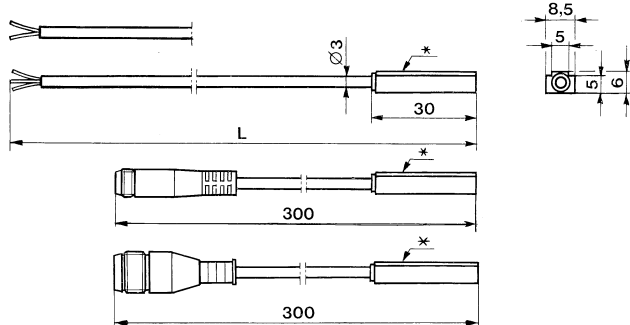


▲ ★ **Sensors Series ST8 (275)**



* LED

◆ ★ **Technical Data**

Outlet	PNP with cable	PNP with connector	Reed with cable	Reed with connector
Voltage and type of current	10-30 V DC	10-30 V DC	10-30 V DC, 240 V AC	10-60 V DC
Max. continuous current	<150 mA	<150 mA	<100 mA	<100 mA
Voltage drop	<2 V	<2 V	<3 V	<3 V
Leakage current	10 μ A	10 μ A	–	–
Internal consumption	10 mA	10 mA	–	–
Ambient temperature range	-25 °C to +75 °C (-13 °F to +167 °F)	-25 °C to +75 °C (-13 °F to +167 °F)	-25 °C to +75 °C (-13 °F to +167 °F)	-25 °C to +75 °C (-13 °F to +167 °F)
Protection	IP 67 as per IEC 529	IP 67 as per IEC 529	IP 67 as per IEC 529	IP 67 as per IEC 529
Indication	LED	LED	LED	LED
De-energization delay	>20 ms	>20 ms	–	–
Material	Housing: Polyamide Cable: PVC (3x0,14 mm ²)	Housing: Polyamide Cable: PUR (3x0,14 mm ²)	Housing: Polyamide Cable: PVC (2x0,14 mm ²)	Housing: Polyamide Cable: PUR (2x0,14 mm ²)

➔ ★ **Part no.**

Symbol	Type	Fig.	Part no.	Cable length L [m]
	Reed	1	2750132310	2,5
		1	2750152310	10
	PNP	2	2750111320	0,3 m + M8 connector
		1	2750131110	2,5
		1	2750151110	10
		2	2750111120	0,3 m + M8 connector
	2	2750123120	0,3 m + M8 connector*	
Body	3	2750121120	0,3 m + M12 connector	
	NPN	2	2750111220	0,3 m + M8 connector

* As per EN 50082-2

- 1. Brown
- 2. Blue
- 3. Black
- 4. Load