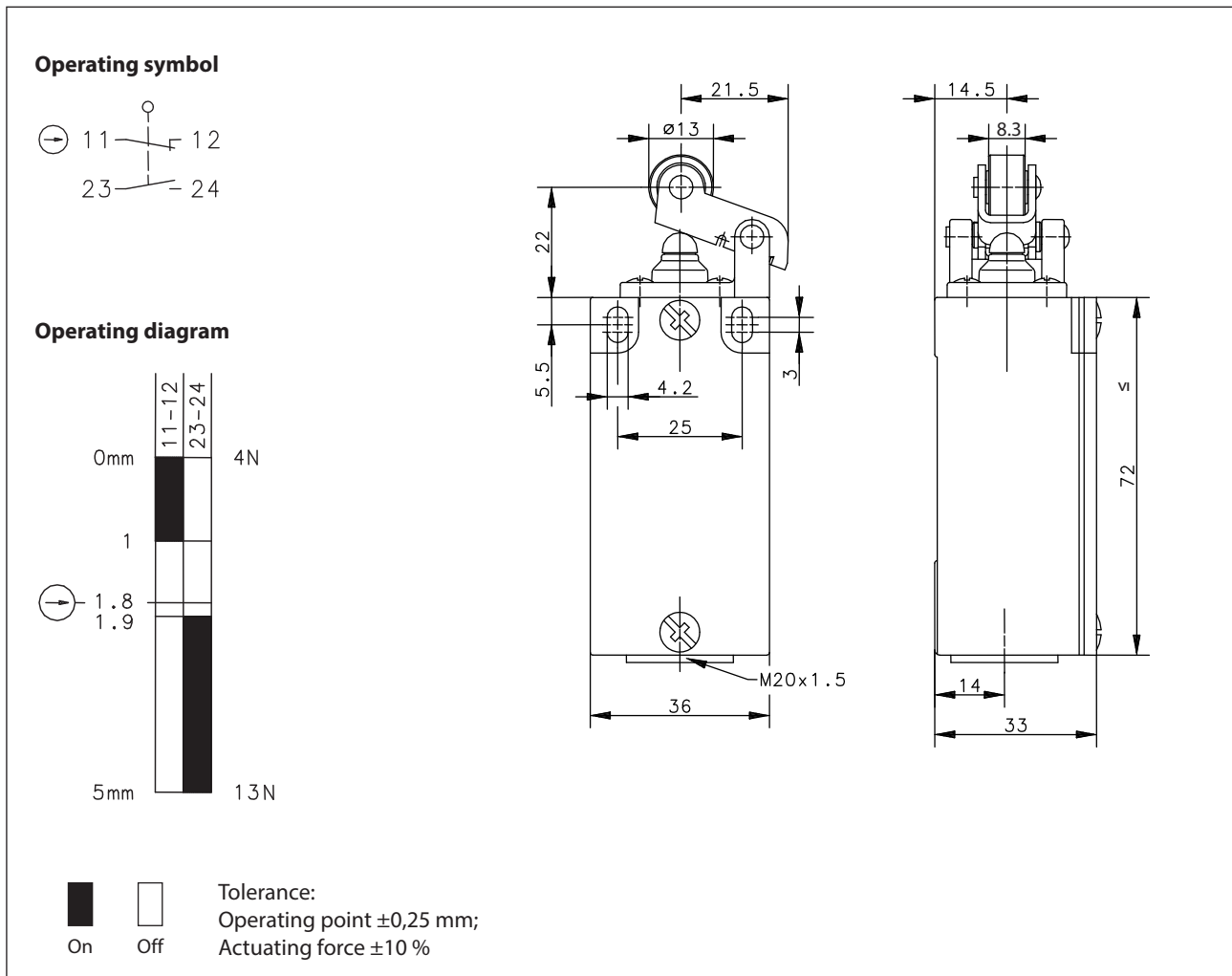


## Metal bodied limit switch Series GC

Description **GC-U1Z HW**

Article number **6121121139**



### Electrical Data

|                                 |           |                              |
|---------------------------------|-----------|------------------------------|
| Rated insulation voltage        | $U_i$     | 400 V AC                     |
| Conv. thermal current           | $I_{the}$ | 10 A                         |
| Rated operational voltage       | $U_e$     | 240 V                        |
| Utilization category            |           | AC-15, $U_e/I_e$ 240 V / 3 A |
| Short-circuit protective device |           | Fuse 10 A gG                 |
| Protection class                |           | I                            |

| Mechanical data          |   |
|--------------------------|---|
| Enclosure                | Die-cast aluminium  |
| Cover                    | Sheet aluminium   |
| Actuator                 | Lever (steel), Roller (NIRO)  |
| Ambient air temperature  | -30 °C ... +80 °C   |
| Contact type             | 1 NC, 1 NO (Zb)   |
| Mechanical life          | 10 x 10 <sup>6</sup> operating cycles   |
| Switching frequency      | ≤ 100 / min.  |
| Assembly                 | 2 x M4  |
| Connection               | 4 screw connections (M3,5)  |
| Conductor cross-sections | Solid: 0,5 ... 1,5 mm <sup>2</sup> or<br>Litz wire with ferrules: 0,5 ... 1,5 mm <sup>2</sup> |
| Cable entrance           | 1 x M20 x 1,5   |
| Weight                   | ≈ 0,16 kg   |
| Installation position    | operator definable  |
| Protection type          | IP65 acc. to IEC/EN 60529   |

| Actuation  |
|--|
| By loosening the 4 screws the actuation assembly can be rotated in 90 degree increments such that 4 actuation directions are possible. The actuation assembly is to be again fastened to the housing using the 4 screws. |

| Standards                                      |
|--|
| VDE 0660 T100, DIN EN 60947-1, IEC 60947-1     |
| VDE 0660 T200, DIN EN 60947-5-1, IEC 60947-5-1 |

| EU Conformity                |
|------------------------------|
| acc. to directive 2014/35/EU |

| Approvals          |
|--------------------|
| cCSA <sub>US</sub> |
| CCC                |

| Notes  |
|--|
| The degree of protection (IP code) specified applies solely to a property closed cover and the use of an equivalent cable gland with adequate cable. |