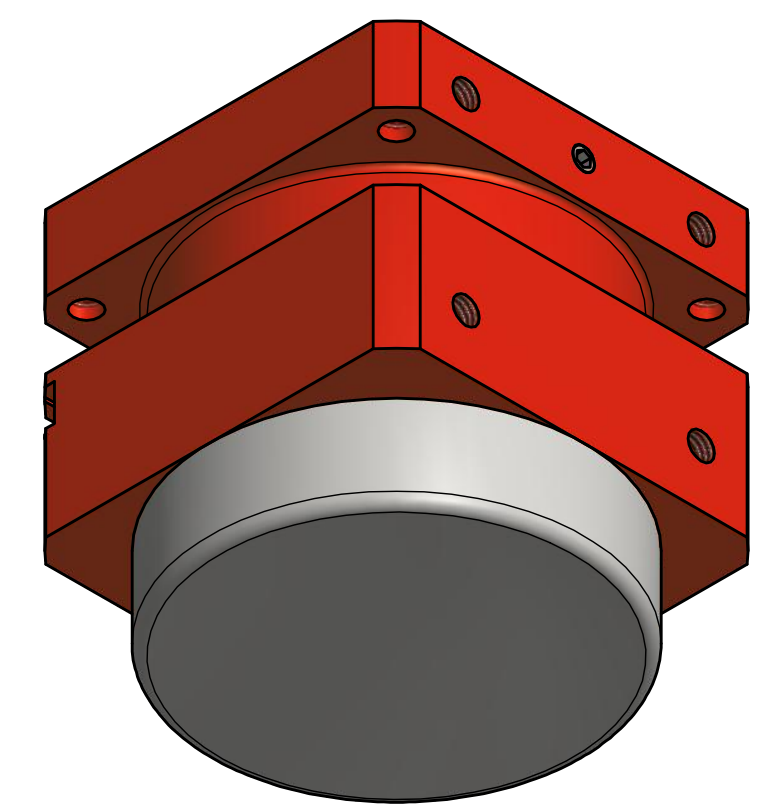
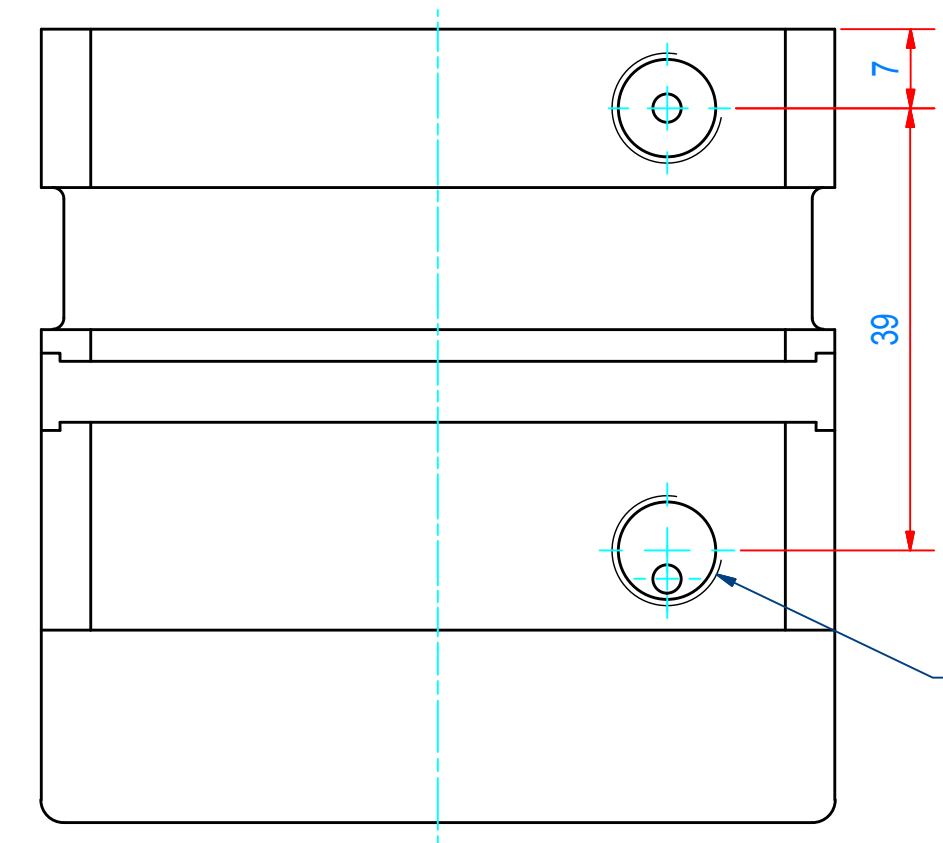
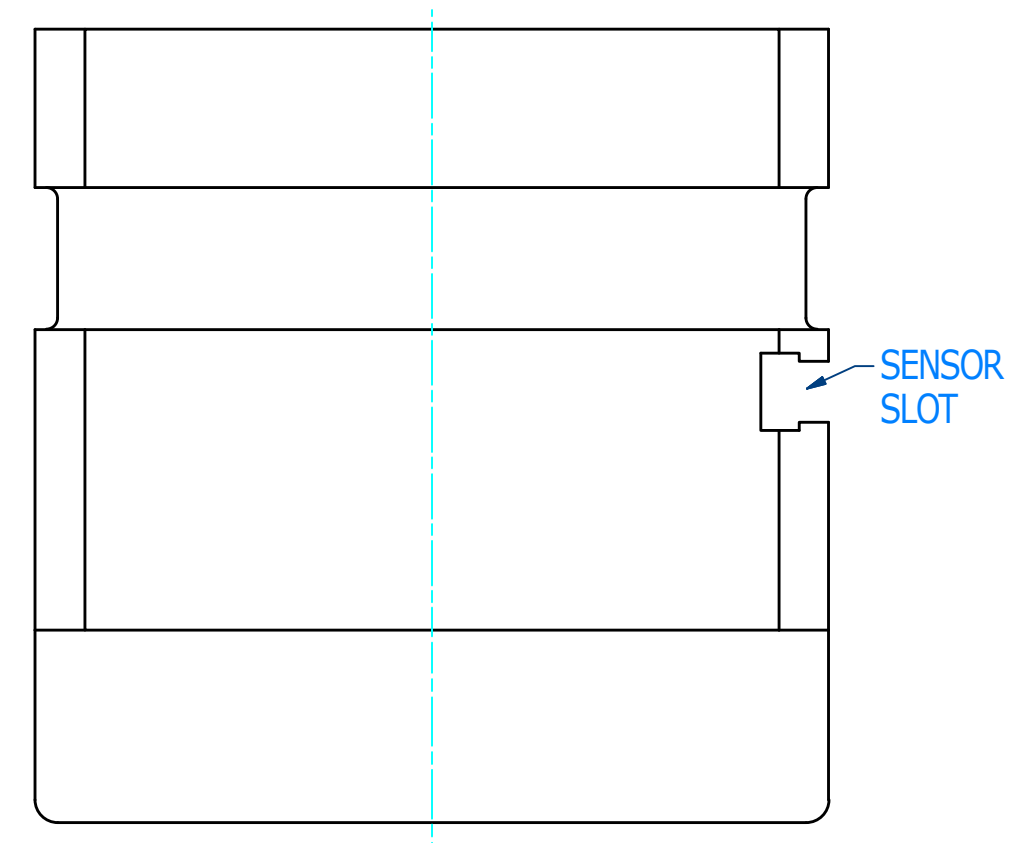
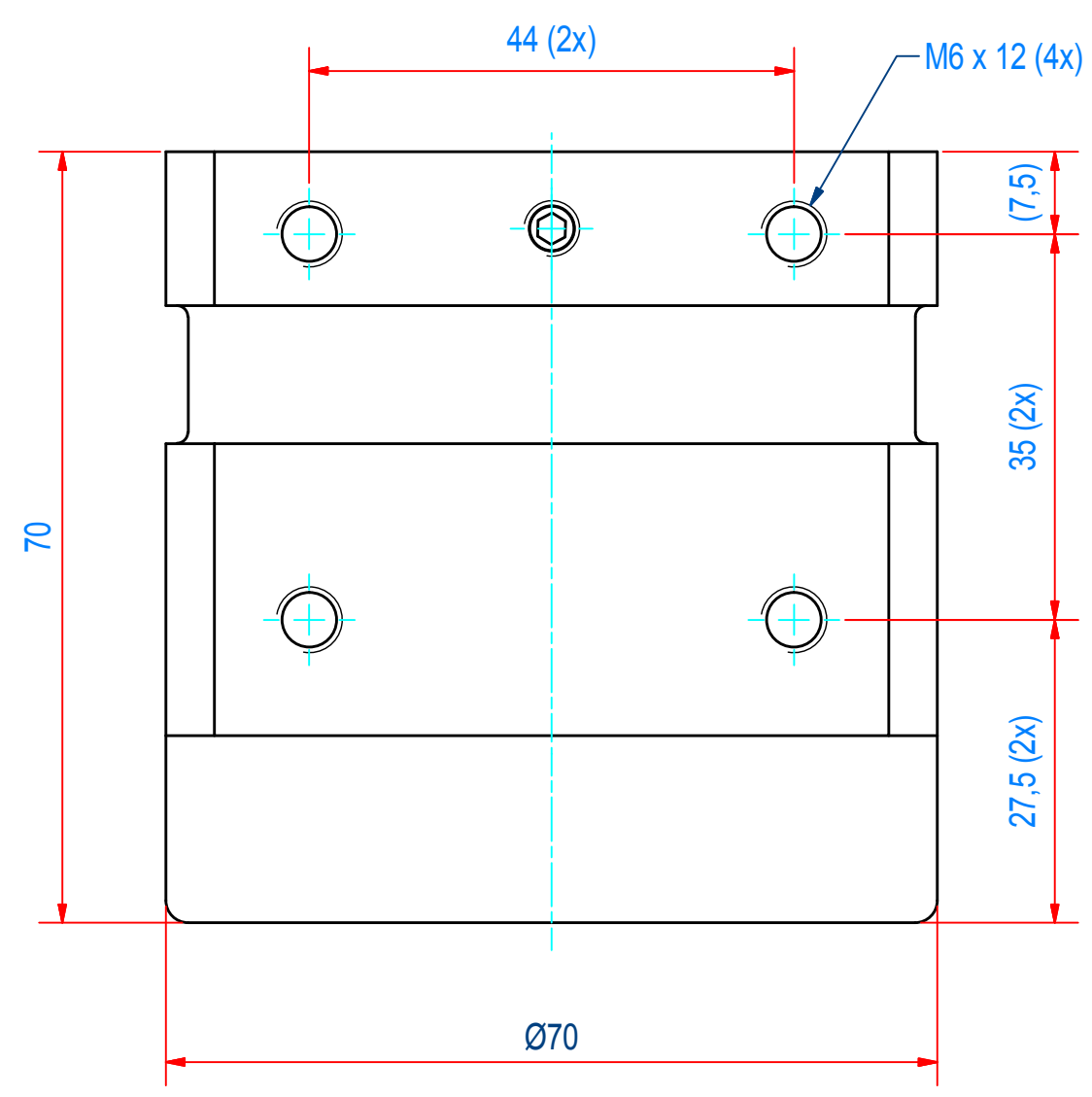
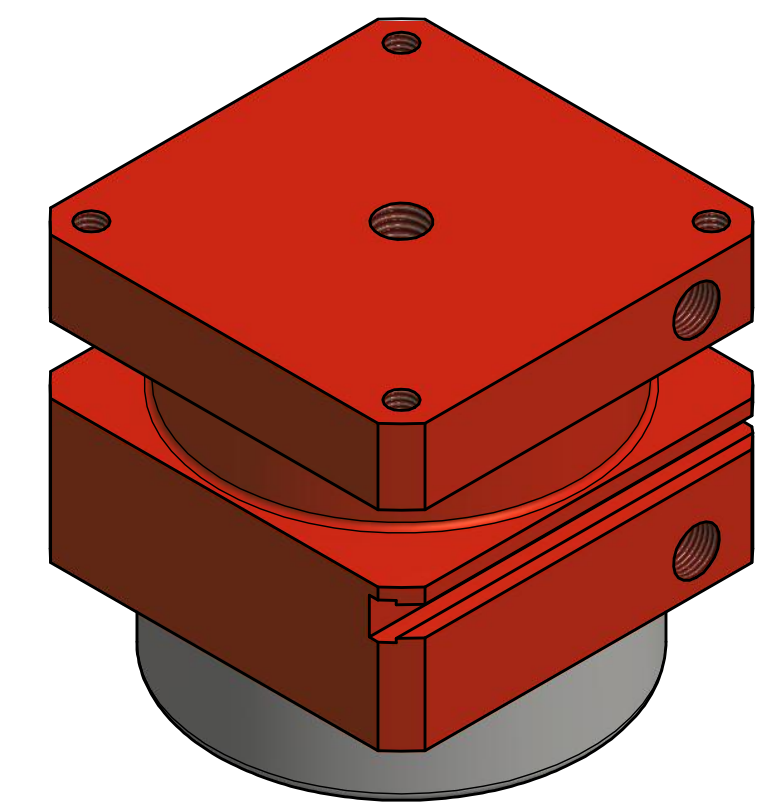
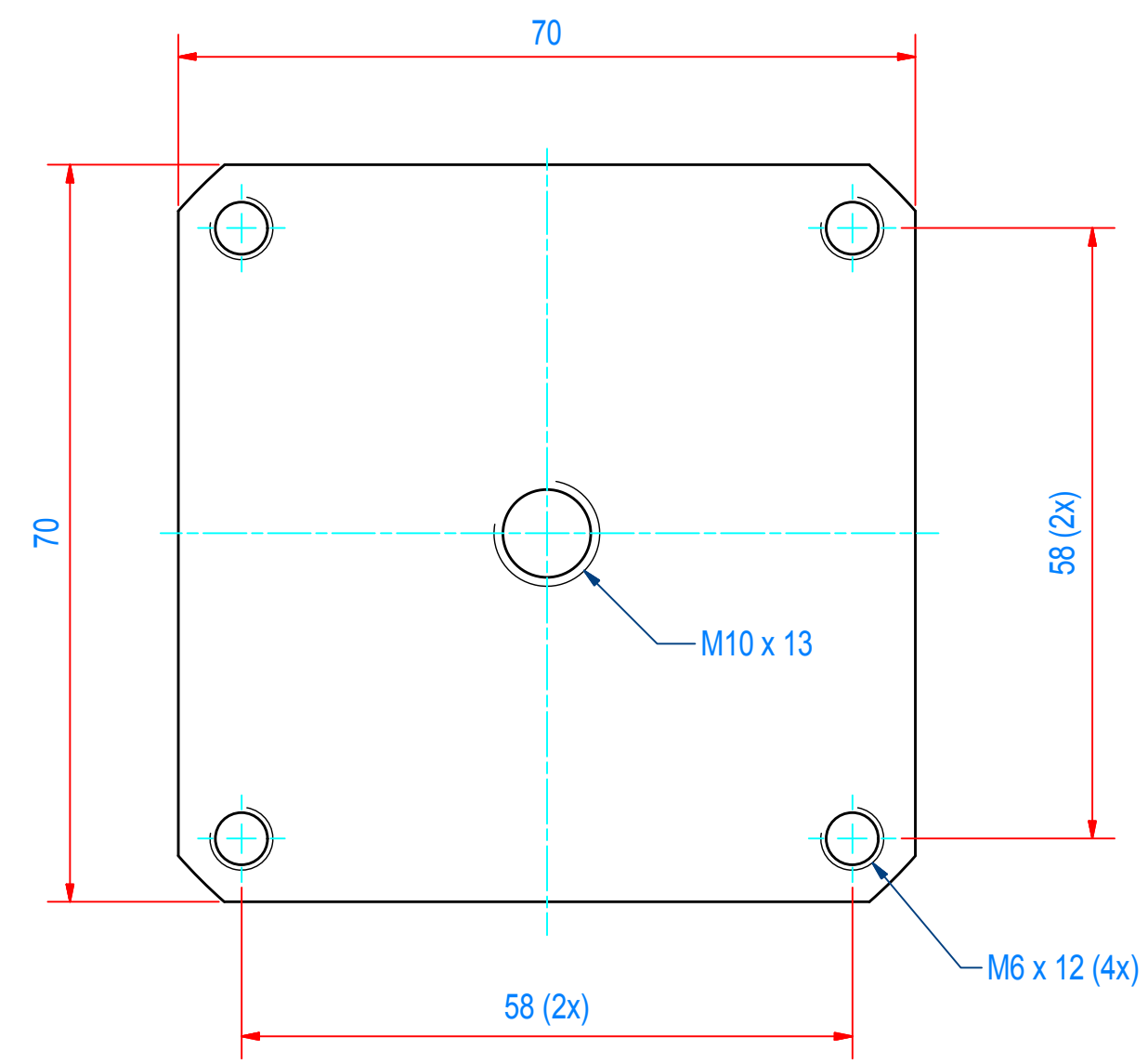


REV	DATE	BY	DESCRIPTION
-	17-6-2013	BS	NOTHING CHANGED, OLD REVISION B
A	2-1-2014	BS	SCREW CAP DESIGN CHANGED (NEW NUMBER WITH O-RING: E0011622)



ITEM	QTY	PART NUMBER	DESCRIPTION	Dimensions
1	1	E0011627	MOUNTING ASSY TPGC070	
RAW MAT.	1			
Sheet:	A2	Extra info:	General tolerance:	ISO 2768- mK
Drawn:	BS	Weight (kg): 0,8	Drawn according:	ISO268; ISO1101; ISO2553
Date:	17-6-2013		Status:	Standard
Spare part:	False		Customer reference number:	
Quick search:	TPGC070		File number:	TPGC070078 Rev: A
Description:	HGR-SQ-070-FL-R-G-S		Part number:	TPGC070078 Rev: A