



## DATA SHEET

Customer:	
Ref.:	
Order:	
Motor:	
Serial nr:	
Date:	03-07-2019

### ASYNCHRONOUS MOTOR 4A3 100L2-4

#### Nameplate data:

Code: 121154

Type:	4A3 100L2-4			IP55	F/B	Amb. temp.: Max. 40°		
kW	Hz	V	A	Rpm	Cos	Eff.	Duty	IE.class
3,00	50	230D	10,4	1450	0,82	87,8%	S1	IE3
3,00	50	400 Y	6,0	1450	0,82	87,8%		
3,60	60	460 Y	6,3	1740	0,82	87,8%		

#### Description:

Mounting form:	B5
Bearing DE:	6206-2Z/C3
Bearing NDE:	6206-2Z/C3
Weight - Kg.:	33
Heater:	No Heater
PTC:	No PTC
Kgm <sup>2</sup> :	0,0067
Sound press.-db(A):	53,0

#### Other:


#### Test data S1-duty, Amb.temp 40°C:

Voltage - V:	400
Frequency - Hz:	50
Power - kW:	3,00
Full load speed - Rpm:	1450
Full load current - A:	6,00
Full load power factor - Cos:	0,82
Locked rotor current - A:	45,6
Locked rotor factor - $A_{st}/A_n$ :	7,6

Efficiency 100% load - %:	87,8%
Efficiency 75% load - %:	88,2%
Efficiency 50% load - %:	87,1%
Full load torque - Nm:	19,8
Locked rotor torque - Nm:	45,5
Locked rotor torque - $Nm_{st}/Nm_n$ :	2,3
Max. Pull out torque - Nm:	45,5
Max. Pull out torque. - $Nm_{st}/Nm_n$ :	2,3

Over load/speed test	kW	Hz	V	A	Rpm
Over load 160% - 15sec.	4,80	50	400	9,60	1450
Over speed 125% - 2 min.	3	63	400	6,00	1813
H-Pot test voltage: 1800V			Temp. rise in stator:		

The motor is produced in accordance with following harmonized standards:

IEC60034-1, IEC60034-2, IEC60034-5, IEC60034-6, IEC60034-7, IEC60034-8, IEC60034-9  
IEC60034-12, IEC60034-14, IEC60034-30, IEC60072.

Additional specifications in accordance with:

RINA - GL - LRS - BV - DNV - ABS - KR - RR - CCS - CCC - RMRS.

#### Bevi Group:

BEVI AB, Sweden  
BEVI A/S, Denmark  
BEVI Norge A/S, Norway  
BEVI Finland OY AB, Finland  
BEVI CHINA, China

www.bevi.se  
www.bevi.dk  
www.bevi.no  
www.bevi.fi  
www.bevi.cn

sales@bevi.se  
bevi@bevi.dk  
info@bevi.no  
info@bevi.fi  
sales@bevi.cn

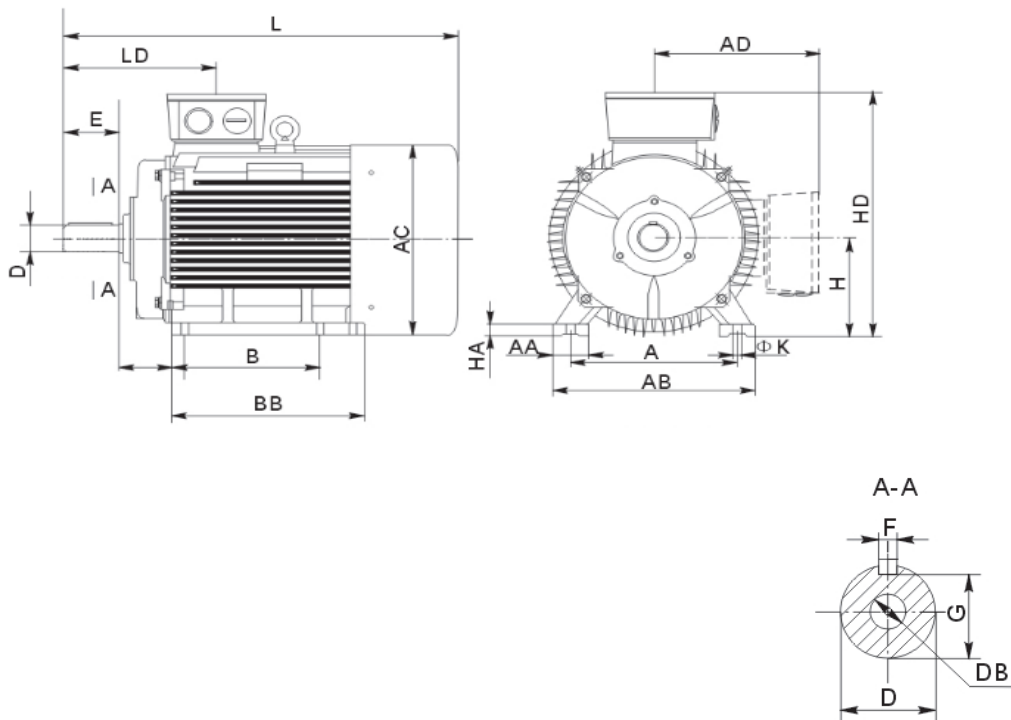
+46 499 271 00  
+45 39 67 36 05  
+47 22 07 66 50  
+358 9 2709 1210  
+86 21 5032 5200



## DATA SHEET

Customer:	
Ref.:	
Order:	
Motor:	
Serial nr:	
Date:	03-07-2019

### Foot mounted motor 4A3 100L2-4 B3



A: 160	HD: 266	E: 60
B: 140	C: 63	D: 28
AB: 196	H: 100	G: 24
AC: 205	K: 12	DB: M10
AD: 168	L: 432	F: 8
LD: 143	L (V1): 482	

#### Bevi Group:

BEVI AB, Sweden  
 BEVI A/S, Denmark  
 BEVI Norge A/S, Norway  
 BEVI Finland OY AB, Finland  
 BEVI CHINA, China

[www.bevi.se](http://www.bevi.se)  
[www.bevi.dk](http://www.bevi.dk)  
[www.bevi.no](http://www.bevi.no)  
[www.bevi.fi](http://www.bevi.fi)  
[www.bevi.cn](http://www.bevi.cn)

[sales@bevi.se](mailto:sales@bevi.se)  
[bevi@bevi.dk](mailto:bevi@bevi.dk)  
[info@bevi.no](mailto:info@bevi.no)  
[info@bevi.fi](mailto:info@bevi.fi)  
[sales@bevi.cn](mailto:sales@bevi.cn)

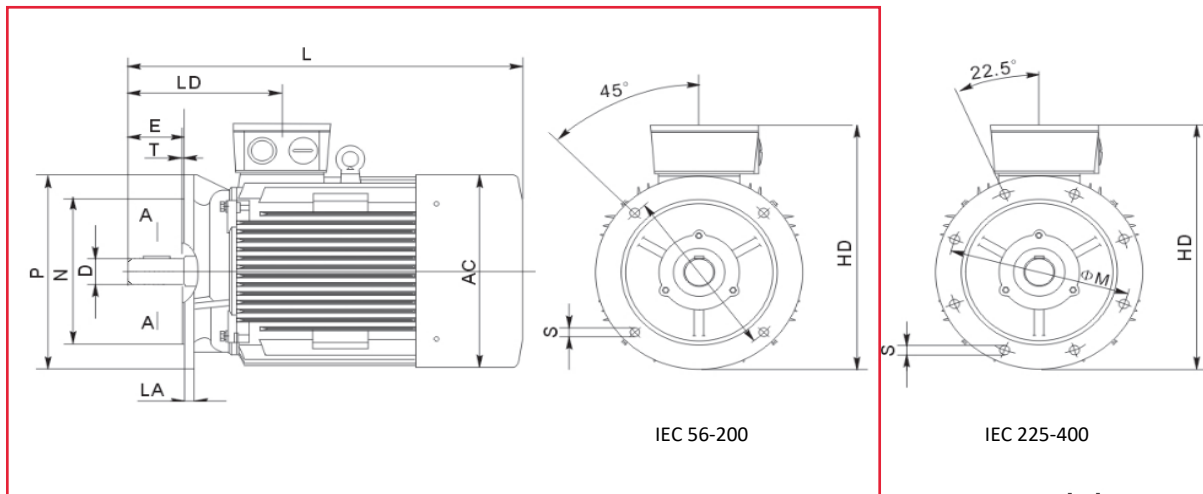
+46 499 271 00  
 +45 39 67 36 05  
 +47 22 07 66 50  
 +358 9 2709 1210  
 +86 21 5032 5200



## DATA SHEET

Customer:	
Ref.:	
Order:	
Motor:	
Serial nr:	
Date:	03-07-2019

### Flange mounted motor 4A3 100L2-4 B5



M: 215	HD: 266	E: 60
N: 180	L: 432	D: 28
P: 250	L (V1): 482	G: 24
S: 15	LD: 143	DB: M10
		F: 8

#### Bevi Group:

BEVI AB, Sweden  
 BEVI A/S, Denmark  
 BEVI Norge A/S, Norway  
 BEVI Finland OY AB, Finland  
 BEVI CHINA, China

[www.bevi.se](http://www.bevi.se)  
[www.bevi.dk](http://www.bevi.dk)  
[www.bevi.no](http://www.bevi.no)  
[www.bevi.fi](http://www.bevi.fi)  
[www.bevi.cn](http://www.bevi.cn)

[sales@bevi.se](mailto:sales@bevi.se)  
[bevi@bevi.dk](mailto:bevi@bevi.dk)  
[info@bevi.no](mailto:info@bevi.no)  
[info@bevi.fi](mailto:info@bevi.fi)  
[sales@bevi.cn](mailto:sales@bevi.cn)

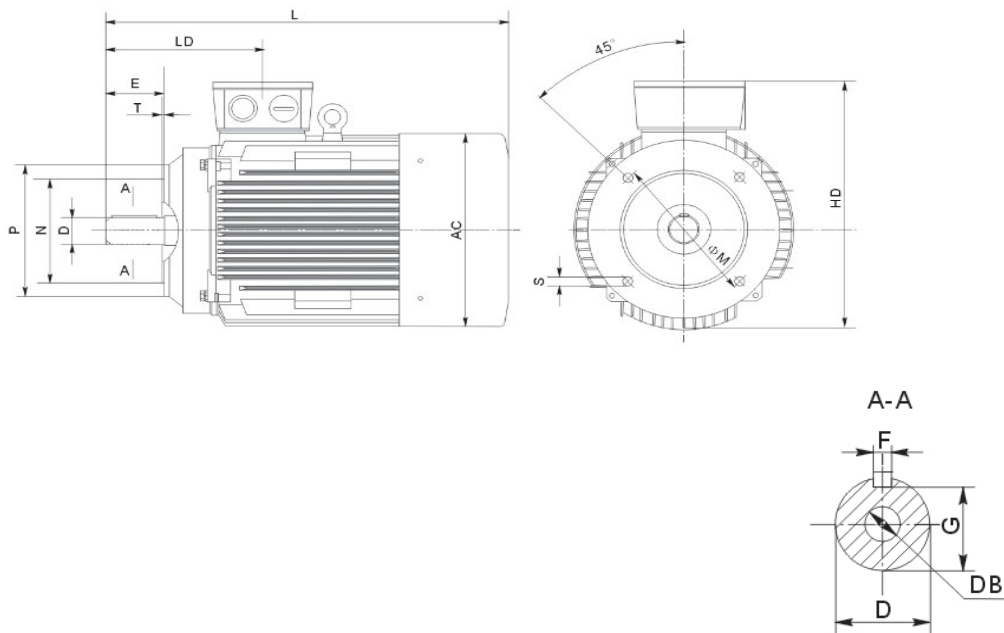
+46 499 271 00  
 +45 39 67 36 05  
 +47 22 07 66 50  
 +358 9 2709 1210  
 +86 21 5032 5200



## DATA SHEET

Customer:	
Ref.:	
Order:	
Motor:	
Serial nr:	
Date:	03-07-2019

### Flange mounted motor 4A3 100L2-4 B14A + (B14B)



#### Flange type: B14A

M: 130  
N: 110  
P: 160  
S: M8

#### B14B

165  
130  
200  
M10

HD: 266  
L: 432  
L (V1): 482  
LD: 143

E: 60  
D: 28  
G: 24  
DB: M10  
F: 8

#### Bevi Group:

BEVI AB, Sweden  
BEVI A/S, Denmark  
BEVI Norge A/S, Norway  
BEVI Finland OY AB, Finland  
BEVI CHINA, China

www.bevi.se  
www.bevi.dk  
www.bevi.no  
www.bevi.fi  
www.bevi.cn

sales@bevi.se  
bevi@bevi.dk  
info@bevi.no  
info@bevi.fi  
sales@bevi.cn

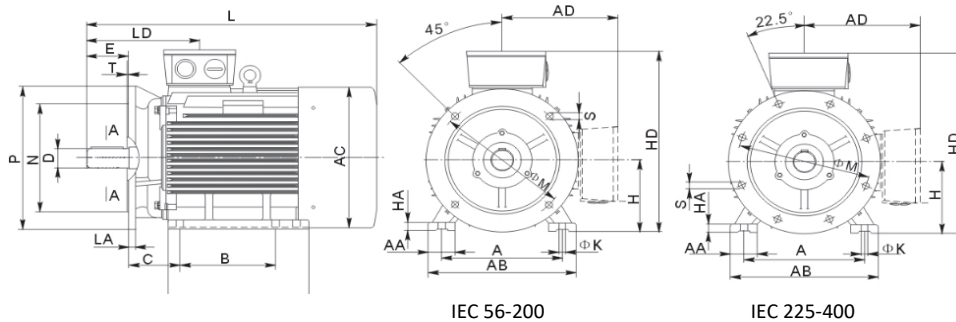
+46 499 271 00  
+45 39 67 36 05  
+47 22 07 66 50  
+358 9 2709 1210  
+86 21 5032 5200



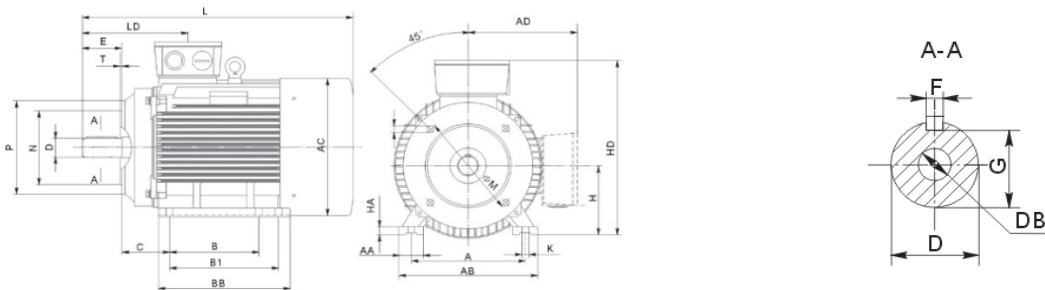
## DATA SHEET

Customer:	
Ref.:	
Order:	
Motor:	
Serial nr:	
Date:	03-07-2019

### Foot & flange mounted motor 4A3 100L2-4 B3/B5



### 4A3 100L2-4 B14A + (B14B)



#### Flange type: B5

M: 215  
N: 180  
P: 250  
S: 15

A: 160  
B: 140  
AB: 196  
AC: 205  
AD: 168  
LD: 143

#### B14A

M: 130  
N: 110  
P: 160  
S: M8

HD: 266  
C: 63  
H: 100  
K: 12  
L: 432  
L (V1): 482

#### (B14B)

M: 165  
N: 130  
P: 200  
S: M10

E: 60  
D: 28  
G: 24  
DB: M10  
F: 8

#### Bevi Group:

BEVI AB, Sweden  
BEVI A/S, Denmark  
BEVI Norge A/S, Norway  
BEVI Finland OY AB, Finland  
BEVI CHINA, China

www.bevi.se  
www.bevi.dk  
www.bevi.no  
www.bevi.fi  
www.bevi.cn

sales@bevi.se  
bevi@bevi.dk  
info@bevi.no  
info@bevi.fi  
sales@bevi.cn

+46 499 271 00  
+45 39 67 36 05  
+47 22 07 66 50  
+358 9 2709 1210  
+86 21 5032 5200