

# UM-C Motorized unit kit for base mounting changeover switches 3P - 3P+N

CCF Sizes 2-3 standard (500A... 1250A)  
S5000F Sizes 4-5 standard (1600A... 3150A)



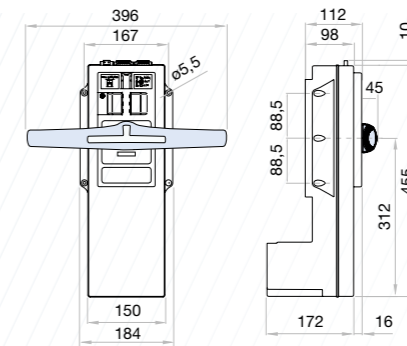
		CODE - 3P <sup>*(1)</sup>	CODE - 3P+N <sup>*(1)</sup>	CODE - 120 Vac <sup>*(1)</sup>	CODE - 230 Vac <sup>*(1)</sup>
Size 2 CCF	500A	CCF05003PS0	CCF05003NS0	UM	UM-C21120M
	630A	CCF06303PS0	CCF06303NS0	UM	UM-C21230M
	800A	CCF08003PS0	CCF08003NS0	UM	UM-C21230M
Size 3 CCF	1000A	CCF10003PS0	CCF10003NS0	UM	UM-C31120M
	1250A	CCF12503PS0	CCF12503NS0	UM	UM-C31230M
	1600A	S5F16003PS0	S5F16003NS0	UM	UM-C45120M
Size 4 S5F	1800A	S5F18003PS0	S5F18003NS0	UM	UM-C45230M
	2000A	S5F20003PD0	S5F20003ND0	UM	UM-C45230M
	2000A	S5F20003PP0	S5F20003NP0	UM	UM-C55230M
Size 5 S5F	2500A	S5F25003PP0	S5F25003NP0	UM	UM-C55230M
	3150A	S5F31503PP0	S5F31503NP0	UM	UM-C55230M

- UM + CCF size 3 normal mounting
- UM + CCF size 3 inverted mounting <sup>\*(4)</sup>
- UM + S5F sizes 4 - 5 normal mounting
- UM + S5F sizes 4 - 5 inverted mounting <sup>\*(4)</sup>  
(please consult UM codes)

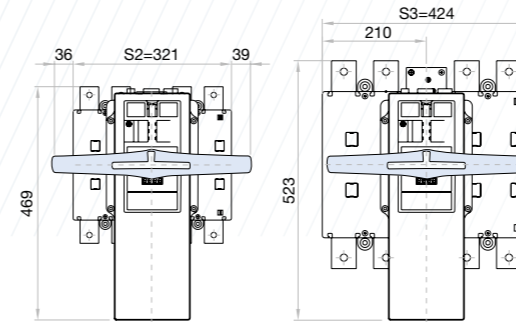
\* Auxiliary manual handle supplied with the UM

## Dimensions (mm)

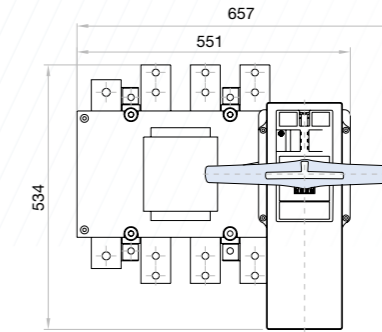
### UM



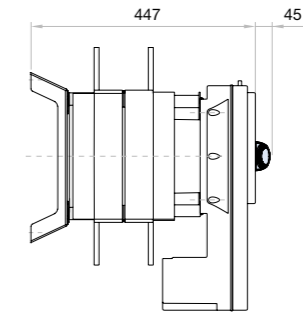
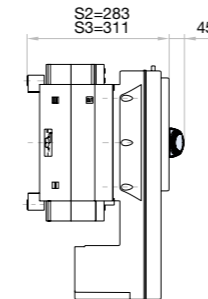
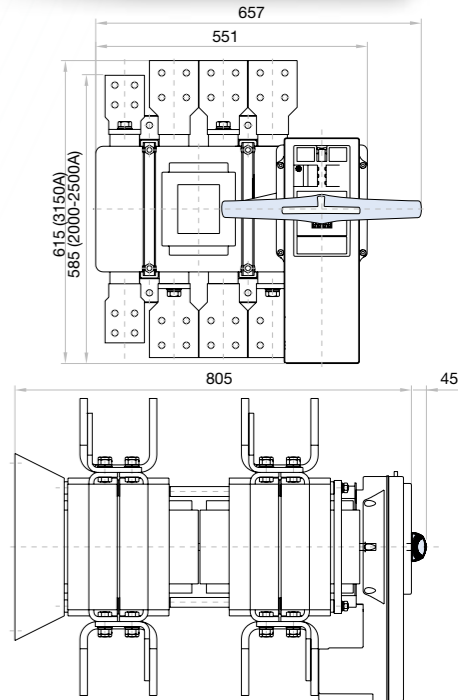
### CCF sizes 2-3 + UM



### S5000F size 4 + UM



### S5000F size 5 + UM



## Technical information



According to IEC 60947-3

Voltage supply		120Vac <sup>*(1)</sup>	230Vac <sup>*(1)</sup>
Operating voltage range <sup>*(2)</sup>	$\Delta V$		0,85*V to 1,15*V
Operating voltage range according to IEC 60947-6	$\Delta V$		0,95*V to 1,10*V
Cable of voltage supply	mm <sup>2</sup>	1,5 - 2,5	1,5 - 2,5
Cable section area Input & MODBUS Signals	mm <sup>2</sup>	0,5 - 1,5	0,5 - 1,5
Cable section area Outputs	mm <sup>2</sup>	0,5 - 1,5	0,5 - 1,5
Inrush Current	A	11	11
Nominal Current during operation	A	7,5	3,9
Use current (I <sub>rms</sub> )	A	0,041	0,041
Use current (I <sub>max</sub> )	A	0,275	0,275
Protection Fuse   Reference F4AL250V (Littelfuse)	A	4	4
Operating time	s	0,166	0,15
Number of MU operations + CCF Size 2	Cycles	5000	5000
Operations frequency (0-I-0-II-0) <sup>*(3)</sup>	Cycles/hour	60 / 60	60 / 60
Number of UM operations + CCF size 3	Cycles	3000	3000
Operations frequency (0-I-0-II-0) <sup>*(3)</sup>	Cycles/hour	20 / 60	20 / 60
Number of UM operations + S5F size 4	Cycles	3000	3000
Operations frequency (0-I-0-II-0) <sup>*(3)</sup>	Cycles/hour	20 / 40	20 / 40
Number of UM operations + S5F size 5	Cycles	-	600
Operations frequency (0-I-0-II-0) <sup>*(3)</sup>	Cycles/hour	-	20 / 20
Working temperature range	T <sup>a</sup> 85%Un	- 25°C ... + 55°C	
	T <sup>a</sup> 115%Un	- 25°C ... + 55°C	
Transportation and storage temperature		- 40°C ... + 70°C	
UM weight	Kg	4,4	

<sup>\*(1)</sup> UM Kit code is related to the code of switch from its section depending on size and it is for normal mounting. For DC values, consult please.

For different type of mounting or different code of switch or UM Kit please consult.

<sup>\*(2)</sup> Operating voltage range for the reference UM-C55230M is 0,9\*V to 1,10\*V.

<sup>\*(3)</sup> According to IEC 60947-3 / Own tests.

<sup>\*(4)</sup> For inverted mounting there are references for UM with inverted frontal plates.

Supply under request. There are changeover switches versions without 0 - OFF position:

S5F (I - II) = S5D\_ \_ \_ \_ \_  
CCF "overlapped" (I - I+II - II) = CCS\_ \_ \_ \_ \_  
CCP "overlapped" (I - I+II - II) = CCT\_ \_ \_ \_ \_ Consult.

## EMC table (Electromagnetic compatibility)

Emission							
Test	Standard	Frequency range	Level	According to criterion	Criterion (test)	Result	
Unwanted voltage	EN 55011	150kHz-30MHz	N.A.	N.A.	N.A.	C	
Radiated emission	EN 55011	30MHz-1GHz	N.A.	N.A.	N.A.	C	
Emission of harmonic current	EN 61000-3-2	0,02A 0-2kHz	N.A.	N.A.	N.A.	C	
Flicker	EN 61000-3-3	0-2kHz	N.A.	N.A.	N.A.	C	
Immunity							
Test	Standard	Frequency range	Level	According to criterion	Criterion (test)	Result	
Electrostatic discharges	EN 61000-4-2	Special, A +/- 8KV air discharge	SPECIAL	B	A	C	
Electromagnetic H.F. field	EN 61000-4-3	10V/m De 80MHz a 2,7 Ghz	SPECIAL	A	A	C	
Fast transients (Burst)	EN 61000-4-4	+/-2KV power supply +/- 1KV signal supply Rep 5kHz - 2min	3	B	A	C	
Fast transient (surge discharge)	EN 61000-4-5	+/-4KV power supply Generator impedance 2Ω Wave 1,2/50μs	5	B	A	C	
Conducted disturbances	EN 61000-4-6	10V supply and signal 0,15-80MHz	3	A	A	C	
Electromagnetic field, industrial frequency	EN 61000-4-8	Field intensity 30A/m	4	A	A	C	
			N.A.	100% Un - 10ms	B	A	C
			N.A.	100% Un - 20ms	B	A	C
			N.A.	60% Un - 200ms	C	A	C
			N.A.	30% Un - 500ms	C	A	C
Voltage dips, interruptions and voltage variations	EN 61000-4-11		N.A.	20% Un - 5000ms	C	A	C
			N.A.	100% Un - 5000ms	C	C	C

CRITERION A: Normal service behaviour in determined limits

CRITERION B: Transient alteration of the service. The appliance gets back to the normal performing without the intervention of the operator

Test level 3: Typical industrial environment, without special installation measures

Test level 4: Severe industrial environment

Special level: Level of higher electromagnetic severe environment