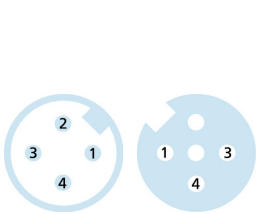
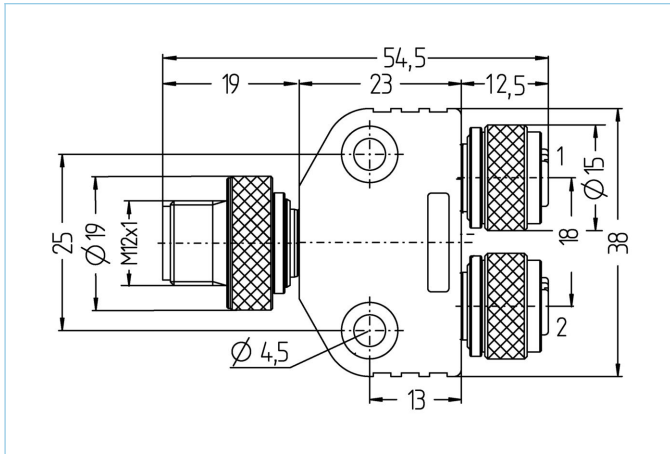


Y-splitter, M12x1, S89



Product data			
Item description	FSM4-2FKM3/S89		
Item-No.	8010464		
Customs tariff-No.	85366990		
Step-File	FSM4-2FKM4_S89.stp		
EAN	4047106082963		
	Exit 0	Exit 1	Exit 2
Connector	male, M12x1	female, M12x1	female, M12x1
Contact material	Metal, CuZn, gold-plated	Metal, CuZn, gold-plated	Metal, CuZn, gold-plated
Contact-carrier material	Plastic, TPU, BK	Plastic, TPU, BK	Plastic, TPU, BK
Coupling nut material	Metal, CuZn, nickel-plated	Metal, CuZn, nickel-plated	Metal, CuZn, nickel-plated
Rated voltage	250V	250V	250V
Coding of	A	A	A
Number of pins	4	3	3
Current load (at 40°C)	4A	4A	4A
Insulation resistance	≥10 ⁹ Ω		
Ambient temperature product	-30°C...+90°C		
Grip body material	Plastic, TPU, BK		
Sealing (female) material	FPM/FKM		
Mechanical life-cycle	>100 mating cycles		
Standards	IEC 61076-2-101/-104		
Degree of protection (mounted)	IP65, IP67, IP68		
Degree of pollution	3		

Classification	
eCl@ss 6.0	27279201
eCl@ss 7.0	27279201
eCl@ss 8.0	27279201
eCl@ss 9.0	27440106
ETIM 5.0	EC002062
ETIM 6.0	EC002925
Accessories	Web-Link
Mounting-set, S89	https://www.escha.net/en/search?sSearch=8036078