

# SOLON

## LIMIT SWITCH

## 限動開關

Since 1992

### VL series



ISO 9001:2000

Made In Taiwan



使用壽命1000萬次以上  
多款致動方式選擇

Limit Switch

符合 IP-64 防護

符合 IEC AC-15, EN 60947-5-1



SOLON Enterprise Co., Ltd.  
洋健企業股份有限公司  
www.solon.com.tw

## Limit Switch 限動開關

### Feature 特色:

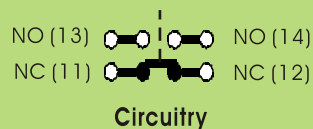
1. Compact design for small mounting space.  
針對安裝空間之小型化設計
2. Special design for easy wiring with Ample wiring space.  
容易配線及充裕接線空間之特別設計
3. Two-circuit double -break  
雙路雙斷電路
4. IP 64 protective plastic housings  
塑膠外殼有 IP-64 防護
5. Output contact rating 額定接點輸出(1 Form C):  
5 Amps @250/125 VAC, 0.4 Amps@125VDC
6. Diecast base and plastic cover  
壓鑄合金外殼及塑膠外殼



### Specifications 規格:

1. Contact type 接點型式: 1a1b
2. Contact resistance 接觸電阻(Initial 初始): 20mΩ max.
3. Insulating resistance 絕緣電阻(Initial 初始): 100MΩ @500VDC
4. Dielectric strength 耐電壓:  
between non-continuous terminals 非同極端子間: 1,000VAC/1minute, 50/60Hz.  
between current-carrying metal parts and ground,  
and between each terminal and non-current-carrying parts  
(導電部及接地間, 各端子及非導電部間): 2,000VAC/1 minute, 50/60Hz.
5. Vibration resistance 耐震(Malfunction 耐久): 55Hz max. @1.5mm, double amplitude.
6. Shock resistance 耐衝擊(Malfunction 耐久): 98m/s @10G max.  
(Destruction 失效): 294m/s@30G max.
7. Ambient temperature 適用環境溫度: -20°C to +60°C @ RH 90% max. 20°C
8. Life expectancy 使用壽命:  
Mechanical 機械性 - 10,000,000 operations min. (120 cpm)  
Electrical 電氣性 - 300,000 operations min. (120 cpm)
9. Operating frequency 動作頻率: 120 operations/minute. 次/分

### Operating characteristics 動作特性:



### Order Information:

VL                    -                    □                    □                    □                    □

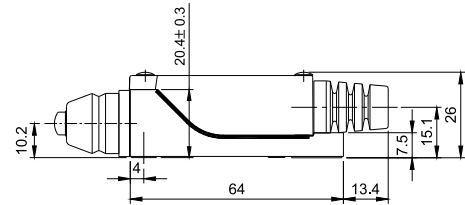
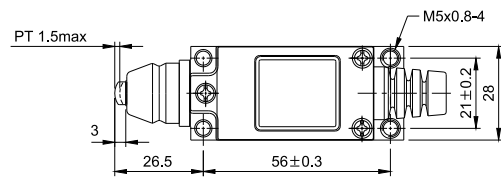
## Limit Switch 限動開關

### Dimensions:

VL-8111



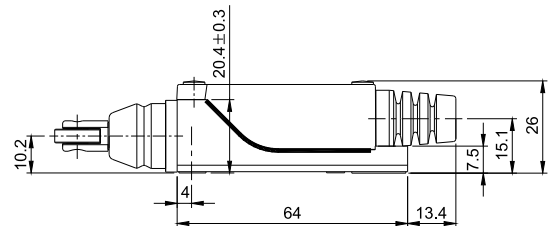
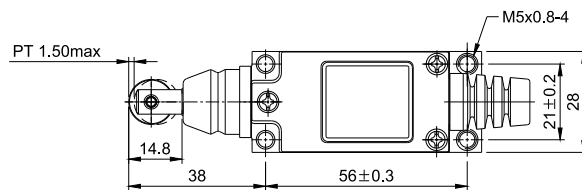
O.F. N(gf) max.	R.F. N(gf) max.	P.T. mm max.	M.D. mm max.	O.T. mm min.	T.T. mm min.
8.83(900)	1.47(150)	1.5	0.7	4	5.5



VL-8112



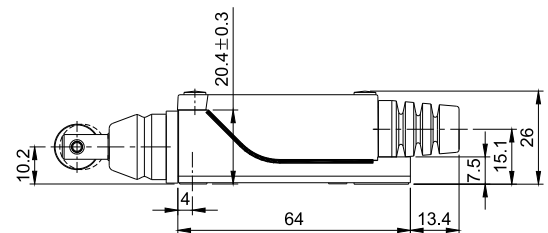
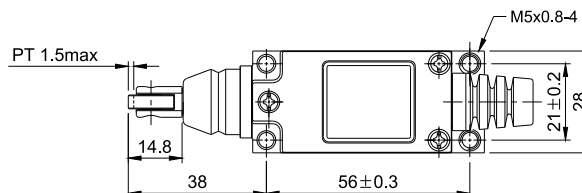
O.F. N(gf) max.	R.F. N(gf) max.	P.T. mm max.	M.D. mm max.	O.T. mm min.	T.T. mm min.
8.83(900)	1.47(150)	1.5	0.7	4	5.5



VL-8122



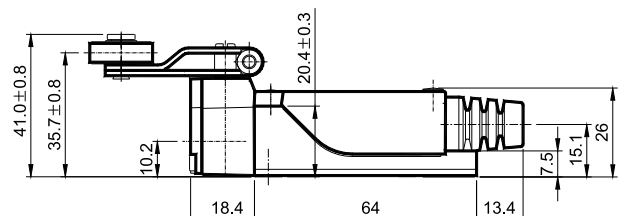
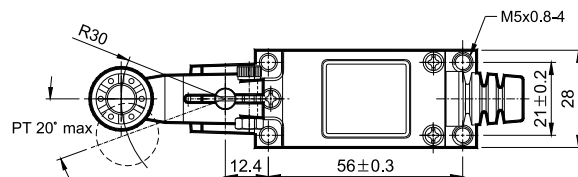
O.F. N(gf) max.	R.F. N(gf) max.	P.T. mm max.	M.D. mm max.	O.T. mm min.	T.T. mm min.
8.83(900)	1.47(150)	1.5	0.7	4	5.5



VL-8104



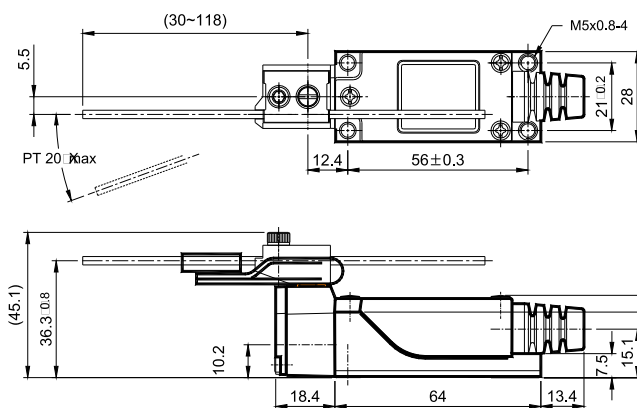
O.F. N(gf) max.	R.F. N(gf) max.	P.T. mm max.	M.D. mm max.	O.T. mm min.	T.T. mm min.
5.88(600)	0.49(50)	20°	10°	75°	95°



## Dimensions:

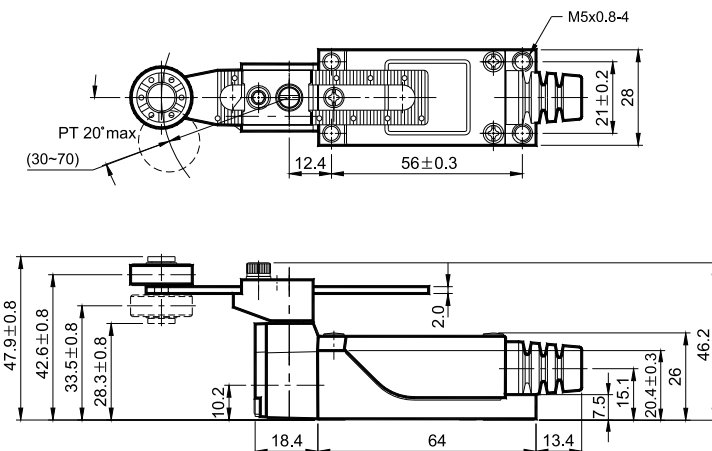
## Limit Switch 限動開關

VL-8107



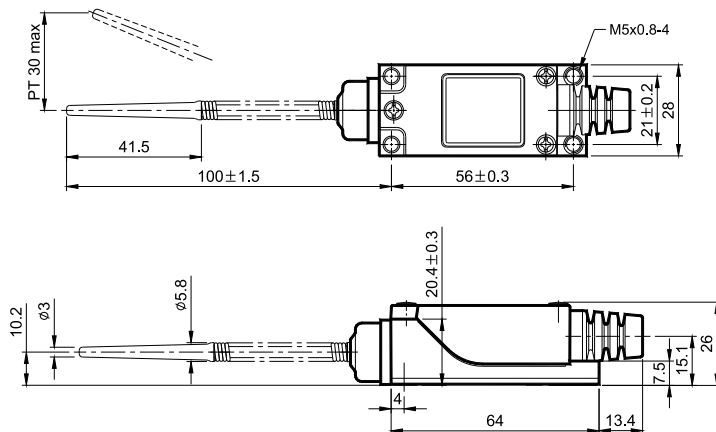
O.F. N(gf) max.	R.F. N(gf) max.	P.T. mm max.	M.D. mm max.	O.T. mm min.	T.T. mm min.
1.99(203)~7.84(800)	0.12(12)~0.49(50)	20°	10°	75°	95°

VL-8108



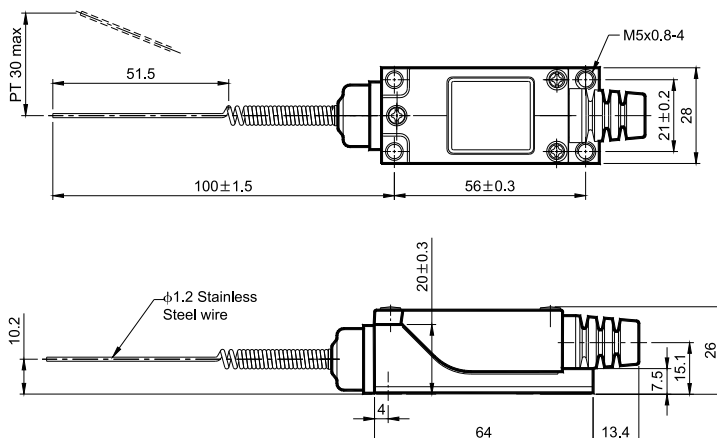
O.F. N(gf) max.	R.F. N(gf) max.	P.T. mm max.	M.D. mm max.	O.T. mm min.	T.T. mm min.
3.35(342)~7.84(800)	0.21(21)~0.49(50)	20°	10°	75°	95°

VL-8166



O.F. N(gf) max.	R.F. N(gf) max.	P.T. mm max.	M.D. mm max.	O.T. mm min.	T.T. mm min.
0.88(90)	X	30	X	20	50

VL-8169



O.F. N(gf) max.	R.F. N(gf) max.	P.T. mm max.	M.D. mm max.	O.T. mm min.	T.T. mm min.
0.88(90)	X	30	X	20	50