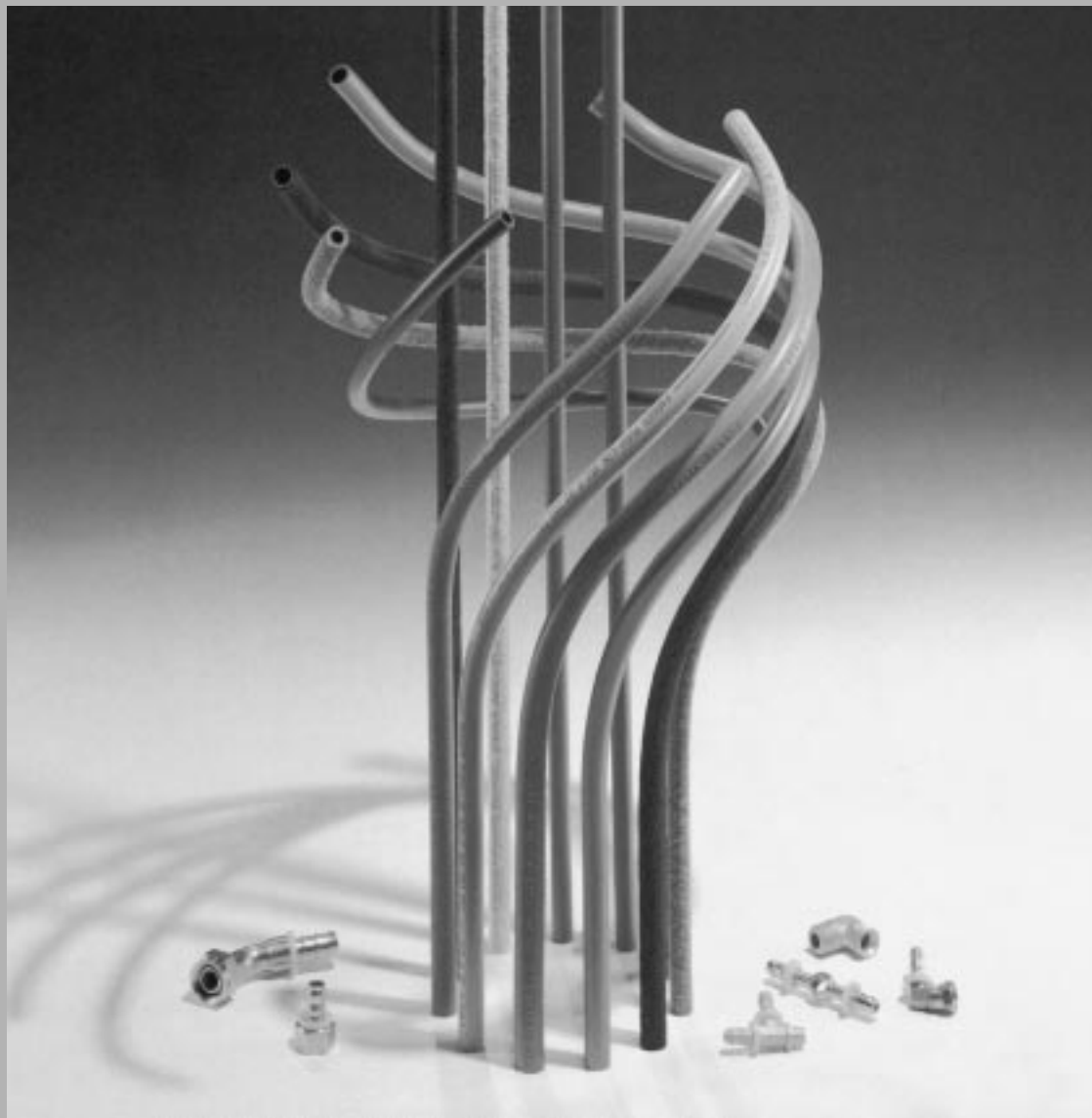


Catalogue 4482-UK



Push-Lok® Hoses and fittings

Index

Hoses

801	- Push-Lok® Hose for low pressure applications	6
804	- Push-Lok® Hose for Phosphate ester Fluids	6
821	- Push-Lok® Hose with textile braided outer cover	7
821FR	- Push-Lok® Hose with Fire-resistant cover	7
831	- Push-Lok® Hose for all standard industrial applications	8
836	- Push-Lok® Hose for high Oil Temperatures	8
837BM	- Push-Lok® for standard applications in the automotive industry	9

Fittings	Page	Fittings	Page
30182 - NPTF Male Pipe	21	3CE82 - DIN 20 078 N Light Series Metric Swivel Female 45° Elbow	13
30282 - Female NPTF Pipe	22	3CF82 - DIN 20 078 N Light Series Metric Swivel Female 45° Elbow	14
30382 - JIC 37° Male	22	3D082 - DIN 20 078 D Light Series Male Stud	14
30682 - JIC 37° Swivel Female	23	3D982 - BSP Male Stud (Form A)	19
30882 - SAE 45° Swivel female	24	3DE82 - Double Banjo Union	28
31382 - NPTF Swivel Male Pipe	22	3DP82 - Metric Swivel Female Tee / Male Stud	17
31D82 - Metric Standpipe Light Series	15	3DR82 - Metric Swivel Female Tee	18
33482 - Inch Standpipe (Brass)	20	3DS82 - Metric Swivel Female Tee / Standpipe	18
33782 - JIC 37° Swivel Female 45° Elbow	23	3EG82 - Straight Adaptor	16
33982 - JIC 37° Swivel Female 90° Elbow	24	3EV82 - 45° Elbow Adaptor	17
34182 - JIC 37° Swivel Female 90° Elbow	24	3EW82 - 90° Elbow Adaptor	17
34982 - Banjo Union DIN 7642	28	3FB82 - French Metric	27
35C82 - 60°-90° Cone Swivel Female	15	3FF82 - Metru-Lok Swivel Female	27
36C82 - 60°-90° Cone Swivel Female	16	3J182 - ORFS Swivel Female 90° Elbow	26
37782 - SAE 45° swivel female 45° elbow	25	3J782 - ORFS Swivel Female 45° Elbow	26
37982 - SAE 45° swivel female 90° elbow	25	3J982 - ORFS Swivel Female 90° Elbow	26
37C82 - 60°-90° Cone Swivel Female	16	3JC82 - ORFS Swivel Female (Short)	25
38282 - Push-Lok® Union	29	3JM82 - ORFS Male	26
39182 - BSP Taper Male	20	3VW82 - Push-in Connector (VW Standard 39-V-16619)	29
39282 - BSP Swivel Female	18	AM/AR - Banjo Bolt (DIN 7643)	29
39B82 - DIN 20 078 A Light Series Metric Swivel Female 45° Elbow	12	H897995 - Female (Ford Standard UWR 003-03180)	30
39C82 - DIN 20 078 A Light Series Metric Swivel Female 90° Elbow	12	H898202 - Male (Ford Standard UWR 003-03180)	30
3AF82 - Male BSP Parallel Pipe - Rigid Straight (with O-Ring Seal)	31	M14-4C3MX8BH22 - Male nipple 90° elbow (Ford Standard UWR 003-04180)	31
3B182 - BSP Swivel Female 45° Elbow	19	M14-4C63MX8BH22 - Male swivel nut 90° elbow (Ford Standard UWR 003-04180)	32
3B282 - BSP Swivel Female 90° Elbow	19	M14-4F3MX8BL31 - Male nipple straight fitting (Ford Standard UWR 003-04180)	31
3C082 - DIN 20 078 C Very Light Series Metric Swivel Female	14	M14-4F63MX8BL32 - Male swivel nut straight fitting (Ford Standard UWR 003-04180)	32
3C382 - DIN 20 078 A Light Series Metric Swivel Female	10	M14-4V3MX8BH17 - Male nipple 45° elbow (Ford Standard UWR 003-04180)	31
3C482 - DIN 20 078 A Light Series Metric Swivel Female 45° Elbow	11	M14-4V63MX8BH17 - Male swivel nut 45° elbow (Ford Standard UWR 003-04180)	32
3C582 - DIN 20 078 A Light Series Metric Swivel Female 90° Elbow	11	VW121 - BSP Swivel Female (VW Standard 39-V-16631)	30
3CA82 - DIN 20 078 N Light Series Metric Swivel Female	13	VW39D - VW-Push In Connector (VW Standard 39D-1401)	30

Index

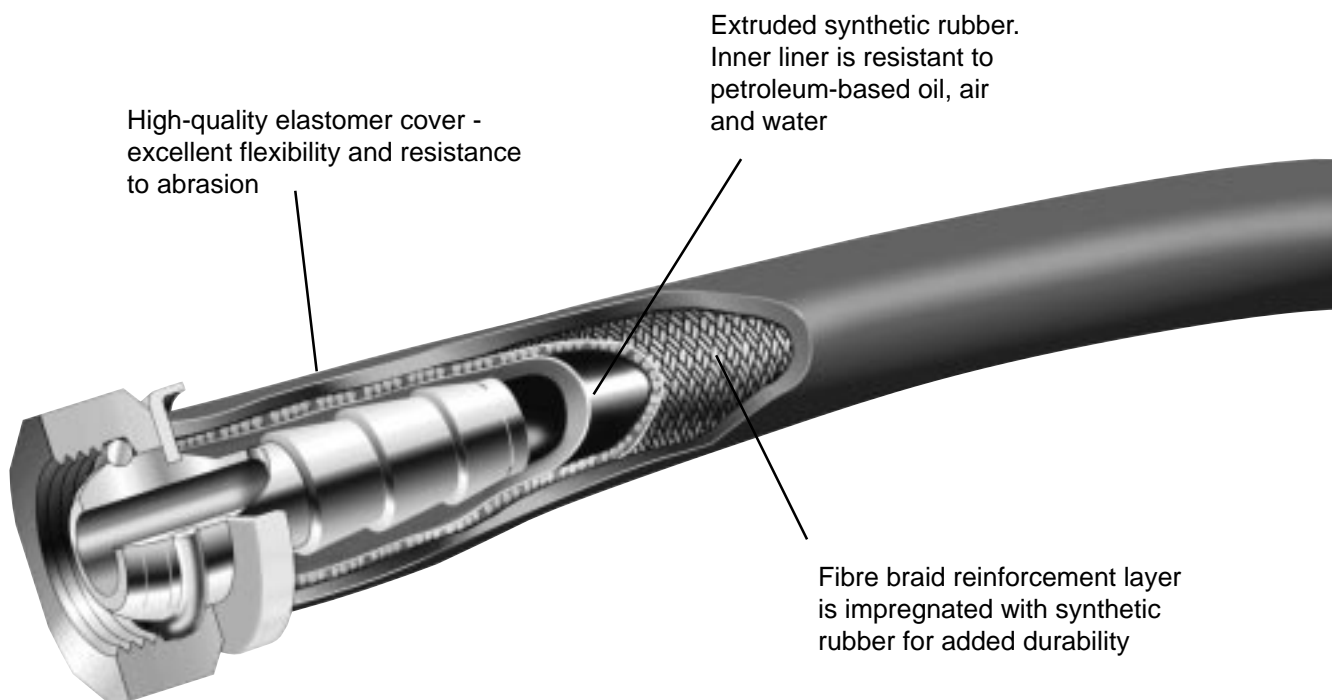
Assembly Accessories	Page
Assembly instructions	5
Push-Lok® cut off and assembly tools	5
Chemical resistance	33 - 36

For your safety !

Flexible hoses are used to transmit fluids, sometimes at considerable pressures. The power-grip connection between the fitting and the hose is a critical zone in all flexible hose connections. Only use Parker components (hoses and nipples) designed to be assembled by means of the appropriate Parker tooling, which will ensure full compliance with standards. Following installation recommendations and suitable maintenance also give a guarantee for long life of the flexible hose. Non-compliance with these elementary rules can lead to the rupture of a flexible hose and cause considerable damage and sometimes bodily injury.

Push-Lok® Hoses and fittings

Push-Lok®: an effective cost saving hose



Colour coding, a valuable Push-Lok® hose advantage

- 801 - hose is manufactured in grey, black, red and green.
- 804 - hose is manufactured in black.
- 821 - hose is manufactured in black.
- 821FR - hose is manufactured in black, blue, green and white.
- 831 - hose is manufactured in black, blue, green and red.
- 836 - hose is manufactured in blue.
- 837BM - hose is manufactured in black, blue, green, red and grey.

- Easy and fast identification of hose lines, where many hoses carry different fluids (e.g. oil, water, air, solutions, etc.)
- Immediate control and/or replacement of hose assemblies due to specific colours for diameters and lengths.
- Easy preventive maintenance
- Reduced maintenance time, when colours identify specific maintenance periods

GRA (GREY)	RED (RED)	BLK (BLACK)	WHT (WHITE)
BLU (BLUE)	GRN (GREEN)	ORA (ORANGE)	BRN (BROWN)

Please put the colour code at the end of your part number to get the correct hose.

Push-Lok® assembly instructions



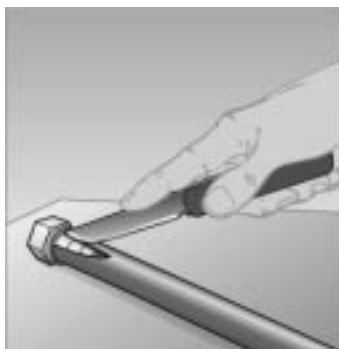
1. Cut the hose right angled with a sharp knife. If necessary it is possible to use a lubricant (water/soap solution with 5% soap fluid and 95% water) for easy assembly (exception 837BM).



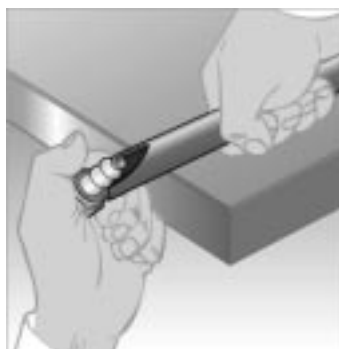
2. Insert fitting into hose until first barb is in hose. Place end of fitting against a flat object (bench, door, wall) and grip hose approximately 1" from end and push with a steady force until end of hose is covered by the yellow plastic collar. Alternatively please use the Parker Assembly Tool No. 611050G.

Attention! During assembly please note that Push-Lok® fittings will provide an effective grip only when the Push-Lok® hose is pushed fully on the insert, where the cropped end of the hose should be fully concealed by the plastic collar. **For easy assembly of hose 837BM please use only Push-Lok® Assembly Oil No. H896137.** Push-Lok® Assembly Oil is free from wetting disturbing substances. Don't use oil, lubricant or soap fluids for this hose!

Push-Lok® disassembly instructions



1. Cut lengthwise along a line at approximately a 20° angle from centre line of hose. The cut should be approximately 1" long. Be careful not to nick barbs when cutting the hose.



2. Grip hose and give a sharp downward tug to disengage from fitting.

Attention! Before re-use of the nipple please check nipple for damage. Damaged nipples can cause leakage.

Push-Lok® assembly oil H896137

Water-oil emulsion for easier assembly of Parker Push-Lok® fittings. This product is very useful in combination with 837BM hose (lubs-free). Our Push-Lok® assembly oil is also free from wetting disturbing substances, like e.g. silicone.

1-litre bottle

Part No. H896137

Assembly tool

Tool designed for assembly of Push-Lok® fittings and hose in all sizes. Toggle actions greatly reduce effort necessary to hold hose and press in fitting. Only a few pounds of force are needed on either handle to quickly assemble any size.

Overall length: 320 mm

Weight: 2,2 kg

Part No. 611050G



Push-Lok® Hoses and fittings

801 - Push-Lok® Hose for low pressure applications



Hose construction : Synthetic rubber tube; one fibre braid reinforcement; oil and weather resistant synthetic rubber cover.

Fluid compatibility : Mineral based hydraulic and lubricating oils, coolant, antifreeze, air, water and water-oil emulsions. Further details are listed in the chemical chart.

Temperature range : -40 °C/+100 °C
 Exceptions : Air max. +70 °C
 Water max. +85 °C

Applications : Low pressure shopfloor air systems, pneumatic systems and general industrial and maintenance applications.

Restrictions : Not recommended for compressed air brakes, transportation of flammable fluids, hydraulic or other applications where extreme pulsations are encountered. Also not recommended for thyristor cooling applications. Not recommended for fuel lines.

Fittings: 82 series

Part Number	Hose-I.D.				Hose O.D.	Pressure rating				Vacuum Kilo Pascal*1	Min. bend radius mm	Weight kg/m
	DN	Inch	Size	mm		Max. dynamic working pressure		Min. burst pressure				
						MPa	psi	MPa	psi			
801-4-XXX-RL	6	1/4	-4	6.3	12.7	1.7	250	6.8	1000	95	65	0.13
801-6-XXX-RL	10	3/8	-6	9.5	15.9	1.7	250	6.8	1000	95	75	0.16
801-8-XXX-RL	12	1/2	-8	12.7	19.8	1.7	250	6.8	1000	95	130	0.27
801-10-XXX-RL	16	5/8	-10	15.9	23.0	1.7	250	6.8	1000	51	150	0.28
801-12-XXX-RL	20	3/4	-12	19.1	26.2	1.7	250	6.8	1000	51	180	0.36
801-16-RL	25	1	-16	25.4	32.5	1.2	175	4.8	700	51	250	0.55

*1 = the vacuum values listed in the table are vacuum pressure values in kPa. For an absolute value subtract the table value from 101kPa

Note: when ordering, specify Push-Lok® hose part number, followed by size, followed by colour. Example: 801-4-XXX-RL

XXX = BLK = black BLU = blue RED = red GRN = green GRA = grey

Example: 801-4-GRN-RL (green) RL = only available on reels 801-16-RL is only available in grey.

804 - Push-Lok® Hose for Phosphate ester Fluids



Hose construction : EPDM synthetic rubber tube; a single fibre braid reinforcement and a black, EPDM synthetic rubber cover.

Fluid compatibility : Water, water glycol emulsions, air, phosphate ester based hydraulic fluids. Do not allow tube to contact any petroleum based fluids. Use liquid soap as lubricant. Further details are listed in the chemical chart.

Temperature range:
 Phosphate ester Hydraulic fluids -40 °C to +80 °C
 Exceptions: Air max. +70 °C
 Water max. +93 °C

Applications : Low pressure service hose ideally suited for general pneumatic applications (including dry air), water, water-glycol and phosphate ester based hydraulic fluids.

Restrictions : Not recommended for compressed air brakes, transportation of flammable gases, hydraulic or other applications where extreme pulsations are encountered. Also not recommended for thyristor cooling applications.

Fittings: 82 series

Part Number	Hose-I.D.				Hose O.D.	Pressure rating				Min. bend radius mm	Weight kg/m
	DN	Inch	Size	mm		Max. dynamic working pressure		Min. burst pressure			
						MPa	psi	MPa	psi		
804-4-RL	6	1/4	-4	6.3	12.7	0.9	125	3.4	500	65	0.13
804-6-RL	10	3/8	-6	9.5	15.9	0.9	125	3.4	500	75	0.16
804-8-RL	12	1/2	-8	12.7	19.8	0.9	125	3.4	500	130	0.27
804-12-RL	20	3/4	-12	19.1	26.2	0.9	125	3.4	500	180	0.36

RL = only available on reels

Only items priced in current price list are carried in stock.

Push-Lok® Hoses and fittings

821 - Push-Lok® Hose with textile braided outer cover



Hose construction : Synthetic rubber tube; one textile braid reinforcement; abrasion, oil and weather resistant black textile braided cover

Fluid compatibility : Mineral based hydraulic and lubricating oils, coolant, antifreeze, water, water-oil emulsions. Further details are listed in the chemical chart.

Temperature range : -40 °C/+100 °C
 Exceptions : Air max. +70 °C
 Water max. +85 °C

Applications : Shopfloor air systems and general industrial, maintenance and automotive applications for air, water, lubricating oils and antifreeze.

Restrictions : Not recommended for compressed air brakes, transportation of flammable fluids, hydraulic or other applications where extreme pulsations are encountered. Also not recommended for thyristor cooling applications. Not recommended for fuel lines.

Fittings : 82 series

Part number	Hose I.D.				Hose O.D. mm	Pressure rating				Vacuum Kilo Pascal*1	Min. bend radius mm	Weight kg/m
	DN	Inch	Size	mm		Max. dynamic working pressure		Min. burst pressure				
						MPa	psi	MPa	psi			
821-4	6	1/4	-4	6.3	12.7	2.4	350	10.0	1400	95	65	0.07
821-6	10	3/8	-6	9.5	15.9	2.0	300	8.0	1200	95	75	0.13
821-8	12	1/2	-8	12.7	19.8	2.0	300	8.0	1200	95	130	0.18
821-10	16	5/8	-10	15.9	23.0	1.7	250	7.0	1000	95	150	0.28
821-12	20	3/4	-12	19.1	26.2	1.7	250	7.0	1000	95	180	0.31

*1 = the vacuum values listed in the table are vacuum pressure values in kPa. For an absolute value subtract the table value from 101kPa
 Reels (RL) available upon request.

821FR - Push-Lok® Hose with Fire-resistant cover



Hose construction : Synthetic rubber tube; one fibre braid reinforcement; weld spark, oil- and mildew resistant black, blue, green, white or brown fibre braided cover.

Fluid compatibility : Mineral based hydraulic and lubricating oils, coolant, antifreeze, water, water-oil emulsions. Further details are listed in the chemical chart.

Temperature range : -40 °C/+100 °C
 Air max. +70 °C
 Water max. +85 °C

Applications : Compressed air systems, general industrial, maintenance and automotive applications. Suitable in welding areas where sparks are prevalent.

Restrictions : Not recommended for compressed air brakes, transportation of flammable fluids, hydraulic or other applications where extreme pulsations are encountered. Also not recommended for thyristor cooling applications. Not recommended for fuel lines.

Fittings : 82 series

Part number	Hose I.D.				Hose O.D. mm	Pressure rating				Vacuum Kilo Pascal*1	Min. bend radius mm	Weight kg/m
	DN	Inch	Size	mm		Max. dynamic working pressure		Min. burst pressure				
						MPa	psi	MPa	psi			
821FR-4-XXX-RL	6	1/4	-4	6.3	12.7	2.4	350	9.7	1400	95	65	0.12
821FR-6-XXX-RL	10	3/8	-6	9.5	15.9	2.0	300	8.3	1200	95	75	0.16
821FR-8-XXX-RL	12	1/2	-8	12.7	19.8	2.0	300	8.3	1200	95	130	0.18
821FR-12-XXX-RL	20	3/4	-12	19.0	26.2	1.7	250	6.8	1000	95	180	0.33

*1 = the vacuum values listed in the table are vacuum pressure values in kPa. For an absolute value subtract the table value from 101kPa
 Note: when ordering, specify Push-Lok® hose part number, followed by size, followed by colour. Example: 821FR-4-XXX-RL
 XXX = BLK = black BLU = blue GRN = green WHT = white BRN = brown
 Example: 821FR-4-GRN-RL (green) RL = only available on reels

Only items priced in current price list are carried in stock.

Push-Lok® Hoses and fittings

831 - Push-Lok® Hose for all standard industrial applications



Hose construction : Synthetic rubber tube; one fibre braid reinforcement; black, green, blue or red oil and weather resistant synthetic rubber cover.

Fluid compatibility : Mineral based hydraulic and lubricating oils, coolant, antifreeze, water, water-oil emulsions. Further details are listed in the chemical chart.

Temperature range : -40 °C/+100 °C
 Air max. +70 °C
 Water max. +85 °C

Applications : Low pressure shopfloor air systems, pneumatic systems and general industrial, maintenance and automotive applications.

Restrictions : Not recommended for compressed air brakes, transportation of flammable fluids, hydraulic or other applications where extreme pulsations are encountered. Also not recommended for thyristor cooling applications. Not recommended for fuel lines.

Fittings : 82 series

Part number	Hose-I.D.				Hose O.D. mm	Pressure rating				Vacuum Kilo Pascal*1	Min. bend radius	Weight
	DN	Inch	Size	mm		Max. dynamic working pressure MPa	psi	Min. burst pressure MPa	psi			
831-4-XXX-RL	6	1/4	-4	6.3	12.7	2.4	350	9.7	1400	95	65	0.13
831-6-XXX-RL	10	3/8	-6	9.5	15.9	2.0	300	8.3	1200	95	75	0.16
831-8-XXX-RL	12	1/2	-8	12.7	19.8	2.0	300	8.3	1200	95	130	0.27
831-10-XXX-RL	16	5/8	-10	15.9	23.0	2.0	300	8.3	1200	51	150	0.28
831-12-XXX-RL	20	3/4	-12	19.1	26.2	2.0	300	8.3	1200	51	180	0.36

*1 = the vacuum values listed in the table are vacuum pressure values in kPa. For an absolute value subtract the table value from 101kPa

Note: when ordering, specify Push-Lok® hose part number, followed by size, followed by colour. Example: 831-4-XXX-RL

XXX = BLK = black BLU = blue RED = red GRN = green

Example: 831-4-GRN-RL (green) RL = only available on reels

836 - Push-Lok® Hose for high Oil Temperatures



Hose construction : PKR® elastomer tube; one fibre braid reinforcement; blue PKR® elastomer cover, with an embossed layline for permanent identification.

Fluid compatibility : Mineral based hydraulic and lubricating oils, coolant, antifreeze, water, water-oil emulsions. Further details are listed in the chemical chart.

Temperature range : -40 °C/+150 °C
 Air max. +70 °C
 Water: max. +85 °C

Applications : Industrial machinery and engine compartments with high operating temperature level, shopfloor air systems, and widespread industrial and maintenance applications.

Restrictions : Not recommended for compressed air brakes, transportation of flammable fluids, hydraulic or other applications where extreme pulsations are encountered. Also not recommended for thyristor cooling applications. Not recommended for fuel lines.

Fittings : 82 series

Part number	Hose-I.D.				Hose O.D. mm	Pressure rating				Vacuum Kilo Pascal*1	Min. bend radius mm	Weight kg/m
	DN	Inch	Size	mm		Max. dynamic working pressure MPa	psi	Min. burst pressure MPa	psi			
836-4-RL	6	1/4	-4	6.3	12.7	1.7	250	6.8	1000	95	65	0.13
836-6-RL	10	3/8	-6	9.5	15.7	1.7	250	6.8	1000	95	75	0.16
836-8-RL	12	1/2	-8	12.7	19.8	1.7	250	6.8	1000	95	130	0.27
836-10-RL	16	5/8	-10	15.9	23.1	1.7	250	6.8	1000	51	150	0.28

*1 = the vacuum values listed in the table are vacuum pressure values in kPa. For an absolute value subtract the table value from 101kPa

RL = only available on reels

Only items priced in current price list are carried in stock.

Push-Lok® Hoses and fittings

837BM - Labs-free with abrasion resistant cover (for standard applications in the automotive industry)



Hose construction : Synthetic rubber tube; one fibre braid reinforcement; highly abrasion and weather resistant black, grey, green, blue or red synthetic rubber cover. This hose is free of any wetting disturbing substances eg: silicone

Fluid compatibility : Mineral based hydraulic and lubricating oils, coolant, antifreeze, water*, water*-oil emulsions. Further details are listed in the chemical chart.

Temperature range : -40 °C/+100 °C
 Air: max. +70 °C
 Water*: max. +85 °C

Applications : The hose meets the automotive industry's requirement to be free from wetting disturbing substances. Suitable for robot lines, paint spraying air supply lines, pneumatic systems and general industrial applications.

Restrictions : Not recommended for compressed air brakes, transportation of flammable gases, hydraulic or other applications where extreme pulsations are encountered. Also not recommended for thyristor cooling applications.

Fittings : 82 series

Note : for assembly see notes on page 5.

Part number	Hose I.D.				Hose O.D. mm	Pressure rating				Vacuum Kilo Pascal*1	Min. bend radius mm	Weight kg/m
	DN	Inch	Size	mm		Max. dynamic working pressure		Min. burst pressure				
						MPa	psi	MPa	psi			
837BM-4-XXX-RL	6	1/4	-4	6.3	12.7	2.4	350	9.7	1400	95	65	0.13
837BM-6-XXX-RL	10	3/8	-6	9.5	15.9	2.0	300	8.3	1200	95	75	0.16
837BM-8-XXX-RL	12	1/2	-8	12.7	19.8	2.0	300	8.3	1200	95	130	0.27
837BM-10-XXX-RL	16	5/8	-10	15.9	23.0	2.0	300	8.3	1200	51	150	0.28
837BM-12-XXX-RL	20	3/4	-12	19.1	26.2	2.0	300	8.3	1200	51	180	0.36

*1 = the vacuum values listed in the table are vacuum pressure values in kPa. For an absolute value subtract the table value from 101kPa

Note: when ordering, specify Push-Lok® hose part number, followed by size, followed by colour. Example: 837BM-4-XXX-RL

XXX = BLK = black BLU = blue RED = red GRN = green GRA = grey

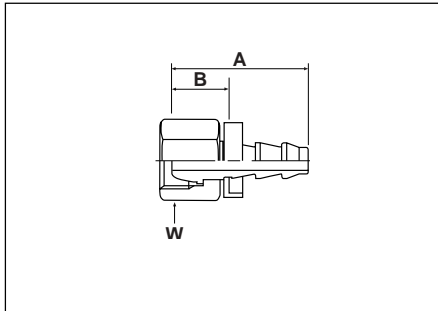
Example: 837BM-4-GRN-RL (green)

RL = only available on reels

Only items priced in current price list are carried in stock.

Push-Lok® Hoses and fittings

C3 - DIN 20 078 A Light Series Metric



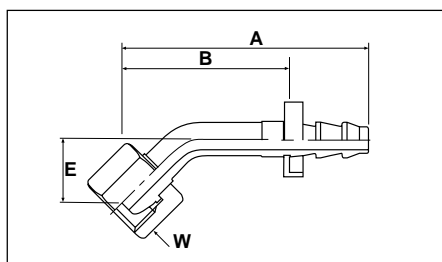
Part Number	Hose-I.D.				Thread metric	Tube O.D. mm	A mm	B mm	W mm
	DN	Inch	Size	mm					
3C382-6-4	6	1/4	-4	6.3	M12x1.5	6	33	15	14
3C382-6-4B	6	1/4	-4	6.3	M12x1.5	6	33	14	14
3C382-6-4BK	6	1/4	-4	6.3	M12x1.5	6	33	14	14
3C382-6-4C	6	1/4	-4	6.3	M12x1.5	6	35	16	14
3C382-8-4	6	1/4	-4	6.3	M14x1.5	8	33	14	17
3C382-8-4B	6	1/4	-4	6.3	M14x1.5	8	36	16	19
3C382-8-4BK	6	1/4	-4	6.3	M14x1.5	8	36	16	19
3C382-8-4C	6	1/4	-4	6.3	M14x1.5	8	33	14	17
3C382-10-4	6	1/4	-4	6.3	M16x1.5	10	34	15	19
3C382-10-4BK	6	1/4	-4	6.3	M16x1.5	10	34	15	19
3C382-10-4C	6	1/4	-4	6.3	M16x1.5	10	36	17	19
3C382-10-6	10	3/8	-6	9.5	M16x1.5	10	38	15	19
3C382-10-6B	10	3/8	-6	9.5	M16x1.5	10	38	15	19
3C382-10-6BK	10	3/8	-6	9.5	M16x1.5	10	38	15	19
3C382-10-6C	10	3/8	-6	9.5	M16x1.5	10	40	17	19
3C382-12-6	10	3/8	-6	9.5	M18x1.5	12	38	16	22
3C382-12-6BK	10	3/8	-6	9.5	M18x1.5	12	38	16	22
3C382-12-6C	10	3/8	-6	9.5	M18x1.5	12	38	15	22
3C382-15-8	12	1/2	-8	12.7	M22x1.5	15	42	15	27
3C382-15-8B	12	1/2	-8	12.7	M22x1.5	15	42	15	27
3C382-15-8BK	12	1/2	-8	12.7	M22x1.5	15	42	15	27
3C382-15-10	16	5/8	-10	15.9	M22x1.5	15	56	20	27
3C382-18-10	16	5/8	-10	15.9	M26x1.5	18	53	17	32
3C382-18-10C	16	5/8	-10	15.9	M26x1.5	18	54	17	32
3C382-22-12	20	3/4	-12	19.0	M30x2	22	53	17	36
3C382-22-12B	20	3/4	-12	19.0	M30x2	22	53	17	36
3C382-22-12BK	20	3/4	-12	19.1	M30x2	22	53	17	36
3C382-28-16	25	1	-16	25.4	M36x2	28	58	22	41
3C382-28-16BK	25	1	-16	25.4	M36x2	28	58	22	41
3C382-28-16-K	25	1	-16	25.4	M36x2	28	58	20	41
3C382-28-16C-K	25	1	-16	25.4	M36x2	28	58	20	41

B and BK parts have brass nipples and steel nuts.

Material: without suffix = zinc plated - yellow chromated mild steel
 B = Brass
 BK = Brass without plastic ring
 C = Stainless Steel
 K = Without plastic ring

For hose types: 801 / 804 / 821 / 821FR / 831 / 836 / 837BM
Only items priced in current price list are carried in stock.
 Dimensions shown may be changed at any time without prior notice.

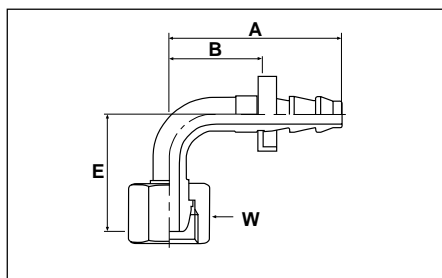
C4 - DIN 20 078 A Light Series Metric Swivel Female 45° Elbow



Part Number	Hose I.D.				Thread metric	Tube O.D. mm	A mm	B mm	E mm	W mm
	DN	Inch	Size	mm						
3C482-6-4	6	1/4	-4	6.3	M12x1.5	6	51	32	16	14
3C482-6-4B	6	1/4	-4	6.3	M12x1.5	6	51	32	16	14
3C482-8-4	6	1/4	-4	6.3	M14x1.5	8	51	32	16	17
3C482-8-4B	6	1/4	-4	6.3	M14x1.5	8	51	32	16	17
3C482-8-4C	6	1/4	-4	6.3	M14x1.5	8	49	30	14	17
3C482-10-6	10	3/8	-6	9.5	M16x1.5	10	58	35	18	19
3C482-10-6B	10	3/8	-6	9.5	M16x1.5	10	58	35	18	19
3C482-10-6C	10	3/8	-6	9.5	M16x1.5	10	59	36	19	19
3C482-12-6	10	3/8	-6	9.5	M18x1.5	12	59	36	18	22
3C482-12-6B	10	3/8	-6	9.5	M18x1.5	12	59	36	18	22
3C482-15-8	12	1/2	-8	12.7	M22x1.5	15	68	41	19	27
3C482-15-8B	12	1/2	-8	12.7	M22x1.5	15	68	41	19	27
3C482-15-10	16	5/8	-10	15.9	M22x1.5	15	82	45	21	27
3C482-18-10	16	5/8	-10	15.9	M26x1.5	18	81	45	21	32
3C482-18-12	20	3/4	-12	19.1	M26x1.5	18	99	62	31	32
3C482-22-12	20	3/4	-12	19.1	M30x2	22	89	52	23	36
3C482-22-12B	20	3/4	-12	19.1	M30x2	22	89	52	23	36
3C482-28-16-K	25	1	-16	25.4	M36x2	28	105	67	30	41

B and BK parts have brass nipples and steel nuts.

C5 - DIN 20 078 A Light Series Metric Swivel Female 90° Elbow



Part Number	Hose I.D.				Thread metric	Tube O.D. mm	A mm	B mm	E mm	W mm
	DN	Inch	Size	mm						
3C582-6-4	6	1/4	-4	6.3	M12x1.5	6	42	23	29	14
3C582-6-4C	6	1/4	-4	6.3	M12x1.5	6	42	23	29	14
3C582-8-4	6	1/4	-4	6.3	M14x1.5	8	42	23	29	17
3C582-10-4	6	1/4	-4	6.3	M16x1.5	10	42	23	29	19
3C582-10-4C	6	1/4	-4	6.3	M16x1.5	10	43	23	31	19
3C582-10-6	10	3/8	-6	9.5	M16x1.5	10	49	27	33	19
3C582-12-6	10	3/8	-6	9.5	M18x1.5	12	49	27	34	22
3C582-15-8	12	1/2	-8	12.7	M22x1.5	15	58	32	39	27
3C582-18-8C	12	1/2	-8	12.7	M22x1.5	18	58	32	39	27
3C582-18-10	16	5/8	-10	15.9	M26x1.5	18	74	37	43	32
3C582-18-10C	16	5/8	-10	15.9	M26x1.5	18	74	37	43	32
3C582-22-12	20	3/4	-12	19.1	M30x2	22	83	47	50	36
3C582-28-16-K	25	1	-16	25.4	M36x2	28	99	61	70	41

B and BK parts have brass nipples and steel nuts.

Material: without suffix = zinc plated - yellow chromated mild steel
 B = Brass
 C = Stainless Steel
 K = Without plastic ring

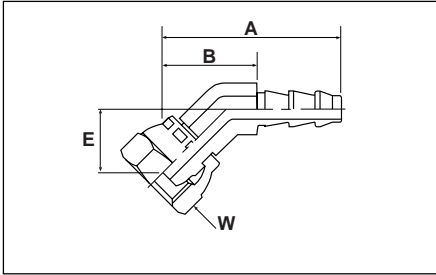
For hose types: 801 / 804 / 821 / 821FR / 831 / 836 / 837BM

Only items priced in current price list are carried in stock.

Dimensions shown may be changed at any time without prior notice.

Push-Lok® Hoses and fittings

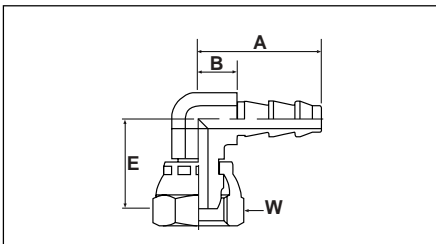
9B - DIN 20 078 A Light Series Metric Swivel Female 45° Elbow



Part Number	Hose-I.D.				Thread metric	Tube O.D. mm	A mm	B mm	E mm	W mm
	DN	Inch	Size	mm						
39B82-6-4BK	6	1/4	-4	6.3	M12x1.5	6	44	23	16	14
39B82-8-4BK	6	1/4	-4	6.3	M14x1.5	8	43	23	15	19
39B82-10-6BK	10	3/8	-6	9.5	M16x1.5	10	48	25	16	19
39B82-12-6BK	10	3/8	-6	9.5	M18x1.5	12	50	26	17	22
39B82-15-8BK	12	1/2	-8	12.7	M22x1.5	15	54	26	18	27

Standard nipples are stocked without plastic collar. If you need a collar, delete K from the part number. B and BK parts have brass nipples and steel nuts.

9C - DIN 20 078 A Light Series Metric Swivel Female 90° Elbow



Part Number	Hose-I.D.				Thread metric	Tube O.D. mm	A mm	B mm	E mm	W mm
	DN	Inch	Size	mm						
39C82-6-4BK	6	1/4	-4	6.3	M12x1.5	6	30	10	22	14
39C82-8-4BK	6	1/4	-4	6.3	M14x1.5	8	30	10	22	19
39C82-10-6BK	10	3/8	-6	9.5	M16x1.5	10	34	10	25	19
39C82-12-6BK	10	3/8	-6	9.5	M18x1.5	12	34	10	25	22
39C82-15-8BK	12	1/2	-8	12.7	M22x1.5	15	43	15	32	27

Body in brass, swivel nut zinc plated, yellow chromated.

Standard nipples are stocked without plastic collar. If you need a collar, delete K from the part number.

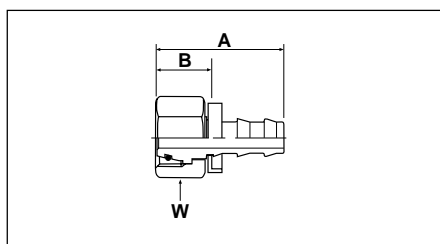
Material: without suffix = zinc plated - yellow chromated mild steel
BK = Brass without plastic ring

For hose types: 801 / 804 / 821 / 821FR / 831 / 836 / 837BM

Only items priced in current price list are carried in stock.

Dimensions shown may be changed at any time without prior notice.

CA - DIN 20 078 N Light Series Metric Swivel Female

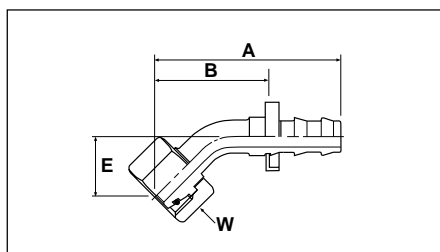


Part Number	Hose-I.D.			Thread metric	Tube O.D. mm	A mm	B mm	W mm	
	DN	Inch	Size						
3CA82-6-4	6	1/4	-4	6.3	M12x1.5	6	40	21	14
3CA82-6-4B	6	1/4	-4	6.3	M12x1.5	6	40	21	14
3CA82-8-4	6	1/4	-4	6.3	M14x1.5	8	36	17	17
3CA82-8-4B	6	1/4	-4	6.3	M14x1.5	8	36	17	17
3CA82-10-4	6	1/4	-4	6.3	M16x1.5	10	36	17	19
3CA82-10-4B	6	1/4	-4	6.3	M16x1.5	10	36	17	19
3CA82-10-6	10	3/8	-6	9.5	M16x1.5	10	40	17	19
3CA82-10-6B	10	3/8	-6	9.5	M16x1.5	10	40	17	19
3CA82-12-6	10	3/8	-6	9.5	M18x1.5	12	40	17	22
3CA82-12-6B	10	3/8	-6	9.5	M18x1.5	12	40	17	22
3CA82-15-8	12	1/2	-8	12.7	M22x1.5	15	44	18	27
3CA82-15-8B	12	1/2	-8	12.7	M22x1.5	15	44	18	27
3CA82-18-10	16	5/8	-10	15.9	M26x1.5	18	56	19	32
3CA82-15-12	20	3/4	-12	19.1	M22x1.5	15	60	24	27
3CA82-22-12	20	3/4	-12	19.1	M30x2	22	58	21	36
3CA82-22-12B	20	3/4	-12	19.1	M30x2	22	58	21	36

B and BK parts have brass nipples and steel nuts.

Fittings with standard O-Ring seals can be used for temperatures from -30 °C up to +105 °C. Find O-Rings in catalogue 4400-UK section I. Special O-Rings are available on request.

CE - DIN 20 078 N Light Series Metric Swivel Female 45° Elbow



Part Number	Hose-I.D.			Thread metric	Tube O.D. mm	A mm	B mm	E mm	W mm	
	DN	Inch	Size							
3CE82-6-4	6	1/4	-4	6.3	M12x1.5	6	56	37	21	14
3CE82-8-4	6	1/4	-4	6.3	M14x1.5	8	53	34	18	17
3CE82-10-6	10	3/8	-6	9.5	M16x1.5	10	59	37	19	19
3CE82-12-6	10	3/8	-6	9.5	M18x1.5	12	60	37	19	22
3CE82-15-8	12	1/2	-8	12.7	M22x1.5	15	69	43	21	27
3CE82-18-10	16	5/8	-10	15.9	M26x1.5	18	80	43	23	32
3CE82-18-12	20	3/4	-12	19.1	M26x1.5	18	93	56	27	32
3CE82-22-12	20	3/4	-12	19.1	M30x2	22	92	55	26	36

B and BK parts have brass nipples and steel nuts.

Fittings with standard O-Ring seals can be used for temperatures from -30 °C up to +105 °C. Find O-Rings in catalogue 4400-UK section I. Special O-Rings are available on request.

Material: without suffix = zinc plated - yellow chromated mild steel
B = Brass

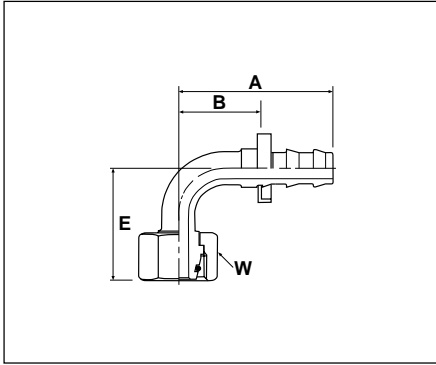
For hose types: 801 / 804 / 821 / 821FR / 831 / 836 / 837BM

Only items priced in current price list are carried in stock.

Dimensions shown may be changed at any time without prior notice.

Push-Lok® Hoses and fittings

CF - DIN 20 078 N Light Series Metric Swivel Female 90° Elbow



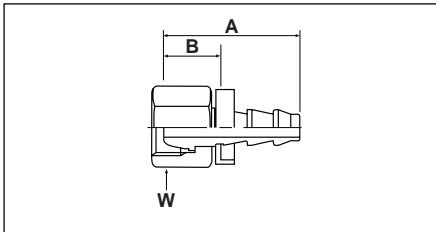
Part Number	Hose-I.D.				Thread metric	Tube O.D. mm	A mm	B mm	E mm	W mm
	DN	Inch	Size	mm						
3CF82-6-4	6	1/4	-4	6.3	M12x1.5	6	42	23	36	14
3CF82-8-4	6	1/4	-4	6.3	M14x1.5	8	42	23	32	17
3CF82-10-4	6	1/4	-4	6.3	M16x1.5	10	42	23	31	19
3CF82-10-6	10	3/8	-6	9.5	M16x1.5	10	49	27	35	19
3CF82-10-6B	10	3/8	-6	9.5	M16x1.5	10	49	27	35	19
3CF82-12-6	10	3/8	-6	9.5	M18x1.5	12	49	27	36	22
3CF82-15-8	12	1/2	-8	12.7	M22x1.5	15	58	32	41	27
3CF82-18-10	16	5/8	-10	15.9	M26x1.5	18	71	34	45	32
3CF82-22-12	20	3/4	-12	19.1	M30x2	22	83	47	55	36

B and BK parts have brass nipples and steel nuts.

Fittings with standard O-Ring seals can be used for temperatures from -30 °C up to +105 °C.

Find O-Rings in catalogue 4400-UK section I. Special O-Rings are available on request.

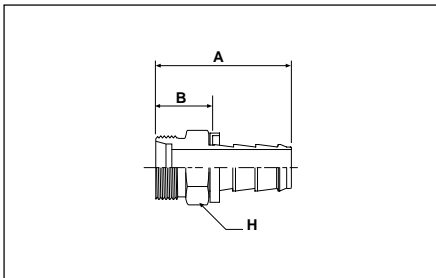
C0 - DIN 20 078 C Very Light Series Metric Swivel Female



Part Number	Hose-I.D.				Thread metric	Tube O.D. mm	A mm	B mm	W mm
	DN	Inch	Size	mm					
3C082-20-12	20	3/4	-12	19.1	M30x1.5	20	53	17	36
3C082-20-12B	20	3/4	-12	19.1	M30x1.5	20	53	17	36

B and BK parts have brass nipples and steel nuts.

D0 - DIN 20 078 D Light Series Male Stud



Part Number	Hose-I.D.				Thread metric	Tube O.D. mm	A mm	B mm	H mm
	DN	Inch	Size	mm					
3D082-6-4	6	1/4	-4	6.3	M12x1.5	6	35	16	12
3D082-8-4	6	1/4	-4	6.3	M14x1.5	8	36	17	14
3D082-10-6	10	3/8	-6	9.5	M16x1.5	10	41	18	17
3D082-10-6B	10	3/8	-6	9.5	M16x1.5	10	41	18	17
3D082-10-6BK	10	3/8	-6	9.5	M16x1.5	10	41	18	17
3D082-12-6	10	3/8	-6	9.5	M18x1.5	12	41	18	19
3D082-12-6C	10	3/8	-6	9.5	M18x1.5	12	41	18	19
3D082-15-8	12	1/2	-8	12.7	M22x1.5	15	49	23	22
3D082-15-8B	12	1/2	-8	12.7	M22x1.5	15	49	23	22
3D082-15-8BK	12	1/2	-8	12.7	M22x1.5	15	49	22	22
3D082-18-10	16	5/8	-10	15.9	M26x1.5	18	58	21	27
3D082-22-12	20	3/4	-12	19.1	M30x2	22	63	27	30
3D082-22-12B	20	3/4	-12	19.1	M30x2	22	63	27	30
3D082-22-12BK	20	3/4	-12	19.1	M30x2	22	63	27	30

Material: without suffix = zinc plated - yellow chromated mild steel

B = Brass

BK = Brass without plastic ring

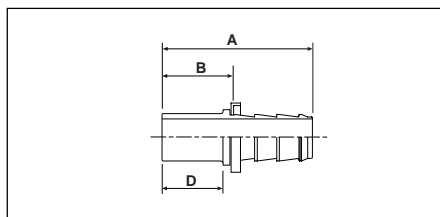
C = Stainless Steel

For hose types: 801 / 804 / 821 / 821FR / 831 / 836 / 837BM

Only items priced in current price list are carried in stock.

Dimensions shown may be changed at any time without prior notice.

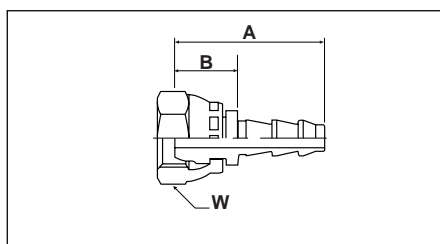
1D - Metric Standpipe Light Series



Part Number	Hose-I.D.				Tube O.D. mm	A mm	B mm	D mm
	DN	Inch	Size	mm				
31D82-6-4	6	1/4	-4	6.3	6	44	25	22
31D82-6-4B	6	1/4	-4	6.3	6	44	25	22
31D82-6-4BK	6	1/4	-4	6.3	6	44	25	22
31D82-8-4	6	1/4	-4	6.3	8	44	25	22
31D82-8-4B	6	1/4	-4	6.3	8	44	25	22
31D82-8-4BK	6	1/4	-4	6.3	8	44	25	22
31D82-10-6	10	3/8	-6	9.5	10	49	26	23
31D82-10-6B	10	3/8	-6	9.5	10	49	26	23
31D82-10-6BK	10	3/8	-6	9.5	10	49	26	23
31D82-12-6	10	3/8	-6	9.5	12	49	27	23
31D82-12-6B	10	3/8	-6	9.5	12	49	27	23
31D82-12-6BK	10	3/8	-6	9.5	12	49	27	23
31D82-12-8C	12	1/2	-8	12.7	12	54	27	23
31D82-15-8	12	1/2	-8	12.7	15	55	29	25
31D82-15-8K	12	1/2	-8	12.7	15	55	29	25
31D82-15-8B	12	1/2	-8	12.7	15	55	29	25
31D82-15-8BK	12	1/2	-8	12.7	15	55	29	25
31D82-15-8CK	12	1/2	-8	12.7	15	55	29	25
31D82-18-8BK	12	1/2	-8	12.7	15	55	29	25
31D82-18-10	16	5/8	-10	15.9	18	67	30	26
31D82-18-10B	16	5/8	-10	15.9	18	67	30	26
31D82-18-10BK	16	5/8	-10	15.9	18	67	30	26
31D82-22-12	20	3/4	-12	19.1	22	69	32	28
31D82-22-12B	20	3/4	-12	19.1	22	69	32	28
31D82-22-12BK	20	3/4	-12	19.1	22	69	32	28

Not recommended for new construction. Instead use C3 or CA.
Attention: For assembly of nut and sleeve use pre-assembly body.

5C - 60°-90° Cone Swivel Female



Part Number	Hose-I.D.				Thread metric	A mm	B mm	W mm
	DN	Inch	Size	mm				
35C82-12x1-4BK	6	1/4	-4	6.3	M12x1	33	13	14
35C82-6-4BK	6	1/4	-4	6.3	M12x1.5	33	14	14
35C82-10-6BK	10	3/8	-6	9.5	M16x1.5	38	15	19
35C82-15-8BK	12	1/2	-8	12.7	M22x1.5	44	18	27
35C82-18-10BK	16	5/8	-10	15.9	M26x1.5	56	18	32

Standard nipples are stocked without plastic collar. If you need a collar, delete K from the part number.
B and BK parts have brass nipples and steel nuts.

Material: without suffix = zinc plated - yellow chromated mild steel
B = Brass
BK = Brass without plastic ring
C = Stainless Steel
K = Without plastic ring

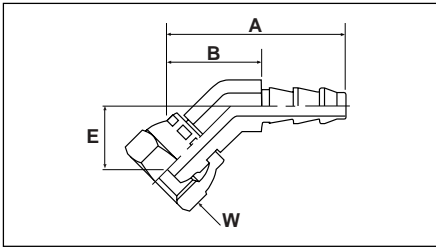
For hose types: 801 / 804 / 821 / 821FR / 831 / 836 / 837BM

Only items priced in current price list are carried in stock.

Dimensions shown may be changed at any time without prior notice.

Push-Lok® Hoses and fittings

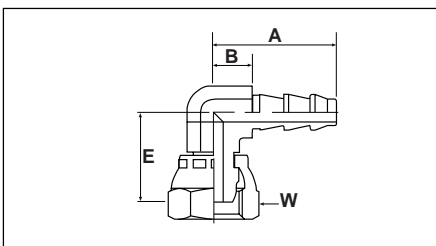
6C - 60°-90° Cone Swivel Female - 45° Elbow



Part Number	Hose-I.D.				Thread metric	A mm	B mm	E mm	W mm
	DN	Inch	Size	mm					
36C82-12x1-4BK	6	1/4	-4	6.3	M12x1	43	22	15	14
36C82-6-4BK	6	1/4	-4	6.3	M12x1.5	44	25	16	14
36C82-10-6BK	10	3/8	-6	9.5	M16x1.5	48	26	16	19
36C82-15-8BK	12	1/2	-8	12.7	M22x1.5	54	28	18	27

Standard nipples are stocked without plastic collar. If you need a collar, delete K from the part number. B and BK parts have brass nipples and steel nuts.

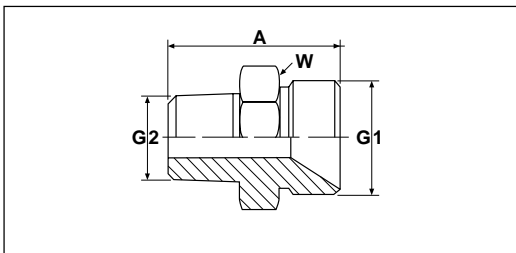
7C - 60°-90° Cone Swivel Female - 90° Elbow



Part Number	Hose-I.D.				Thread metric	A mm	B mm	E mm	W mm
	DN	Inch	Size	mm					
37C82-12x1-4BK	6	1/4	-4	6.3	M12x1	30	10	22	14
37C82-6-4BK	6	1/4	-4	6.3	M12x1.5	30	11	22	14
37C82-10-6BK	10	3/8	-6	9.5	M16x1.5	34	11	25	19
37C82-15-8BK	12	1/2	-8	12.7	M22x1.5	43	16	32	27

Standard nipples are stocked without plastic collar. If you need a collar, delete K from the part number. B and BK parts have brass nipples and steel nuts.

EG - Straight Adaptor - Metric / BSP Taper



Part Number	Tube O.D. mm	Thread		A mm	w mm
		G1 metric	G2 BSP		
EG6-1/8B	6	M12x1	1/8	23	14
EG6-1/4B	6	M12x1	1/4	28	14
EG8-1/8B	8	M14x1.5	1/8	24	17
EG8-1/4B	8	M14x1.5	1/4	28	17
EG8-3/8B	8	M14x1.5	3/8	28	19
EG10-1/8B	10	M16x1.5	1/8	24	17
EG10-1/4B	10	M16x1.5	1/4	28	19
EG10-3/8B	10	M16x1.5	3/8	28	19
EG10-1/2B	10	M16x1.5	1/2	28	24
EG12x15-1/8B	12	M12x1.5	1/8	23	14
EG12-1/4B	12	M18x1.5	1/4	28	19
EG12x15-1/4B	12	M12x1.5	1/4	28	14
EG15-3/8B	15	M22x1.5	3/8	34	24
EG15-1/2B	15	M22x1.5	1/2	34	24
EG18-1/2B	18	M26x1.5	1/2	38	27
EG18-3/4B	18	M26x1.5	3/4	38	27

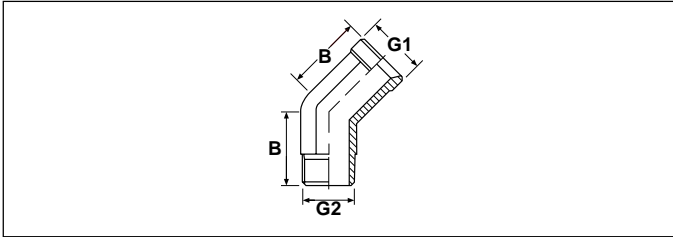
Standard material: brass

Material: without suffix = zinc plated - yellow chromated mild steel
 BK = Brass without plastic ring
 B = Brass

For hose types: 801 / 804 / 821 / 821FR / 831 / 836 / 837BM
Only items priced in current price list are carried in stock.
 Dimensions shown may be changed at any time without prior notice.

Push-Lok® Hoses and fittings

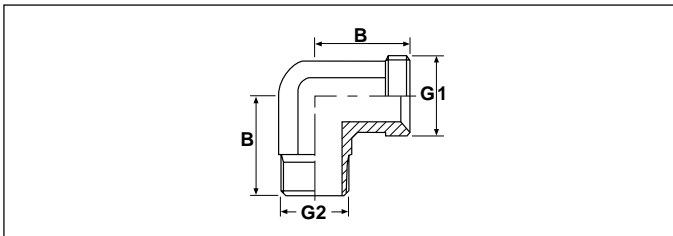
EV - 45° Elbow Adaptor - Metric / BSP Taper



Part Number	Tube O.D. mm	Thread		B mm
		G1 metric	G2 BSP	
EV6-1/8B	6	M12x1	1/8	20
EV6-1/4B	6	M12x1	1/4	20
EV8-1/4B	8	M14x1.5	1/4	27
EV8-3/8B	8	M14x1.5	3/8	27
EV10-1/4B	10	M16x1.5	1/4	27
EV10-3/8B	10	M16x1.5	3/8	27
EV15-1/2B	15	M22x1.5	1/2	30

Standard material: brass

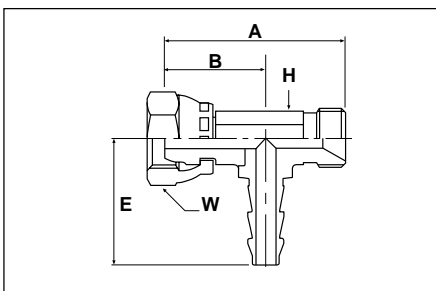
EW - 90° Elbow Adaptor - Metric / BSP Taper



Part Number	Tube O.D. mm	Thread		B mm
		G1 metric	G2 BSP	
EW6-1/8B	6	M12x1	1/8	20
EW6-1/4B	6	M12x1	1/4	20
EW8-1/4B	8	M14x1.5	1/4	27
EW8-3/8B	8	M14x1.5	3/8	27
EW10-1/4B	10	M16x1.5	1/4	27
EW10-3/8B	10	M16x1.5	3/8	27
EW12x15-1/8B	12	M12x1.5	1/8	20
EW12x15-1/4B	12	M12x1.5	1/4	20
EW15-1/2B	15	M22x1.5	1/2	30

Standard material: brass

DP - Metric Swivel Female Tee / Male Stud



Part Number	Hose-I.D.				Thread metric	A mm	B mm	E mm	H mm	W mm
	DN	Inch	Size	mm						
DP-6-6-4BK	6	1/4	-4	6.3	M12x1	43	24	30	11	14
DP-8-8-4BK	6	1/4	-4	6.3	M14x1.5	43	24	30	11	14
DP-10-10-6BK	10	3/8	-6	9.5	M16x1.5	48	26	34	13	19
DP-15-15-8BK	12	1/2	-8	12.7	M22x1.5	58	32	42	17	27

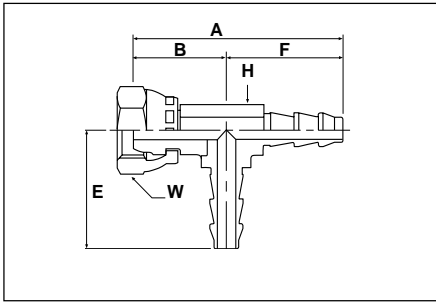
Standard nipples are stocked without plastic collar. If you need a collar, delete K from the part number. B and BK parts have brass nipples and steel nuts.

Material: without suffix = zinc plated - yellow chromated mild steel
 BK = Brass without plastic ring
 B = Brass

For hose types: 801 / 804 / 821 / 821FR / 831 / 836 / 837BM
Only items priced in current price list are carried in stock.
 Dimensions shown may be changed at any time without prior notice.

Push-Lok® Hoses and fittings

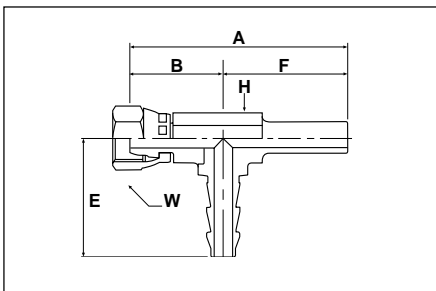
DR - Metric Swivel Female Tee



Part Number	Hose-I.D.				Thread metric	A mm	B mm	E mm	F mm	H mm	W mm
	DN	Inch	Size	mm							
DR-6-4-4BK	6	1/4	-4	6.3	M12x1	54	24	30	30	11	14
DR-10-6-6BK	10	3/8	-6	9.5	M16x1.5	59	25	34	34	13	19
DR-15-8-8BK	12	1/2	-8	12.7	M22x1.5	74	32	42	42	17	27

Standard nipples are stocked without plastic collar. If you need a collar, delete K from the part number. B and BK parts have brass nipples and steel nuts.

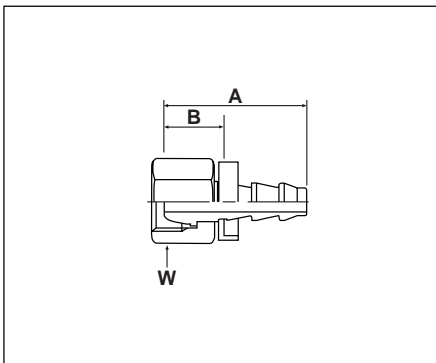
DS - Metric Swivel Female Tee / Standpipe



Part Number	Hose-I.D.				Thread metric	Tube O.D. mm	A mm	B mm	E mm	F mm	H mm	W mm
	DN	Inch	Size	mm								
DS-6-6-4BK	6	1/4	-4	6.3	M12x1	6	56	24	30	32	11	14
DS-6-8-4BK	6	1/4	-4	6.3	M12x1	8	56	24	30	32	11	14
DS-10-10-6BK	10	3/8	-6	9.5	M16x1.5	10	58	25	34	33	13	19
DS-10-12-6BK	10	3/8	-6	9.5	M16x1.5	12	58	25	34	33	13	19
DS-15-15-8BK	12	1/2	-8	12.7	M22x1.5	15	72	32	42	40	17	27

Standard nipples are stocked without plastic collar. If you need a collar, delete K from the part number. B and BK parts have brass nipples and steel nuts.

92 - BSP Swivel Female



Part Number	Hose-I.D.				BSP thread	A mm	B mm	W mm
	DN	Inch	Size	mm				
39282-4-4	6	1/4	-4	6.3	1/4x19	33	14	17
39282-4-4C	6	1/4	-4	6.3	1/4x19	33	14	19
39282-6-6	10	3/8	-6	9.5	3/8x19	37	14	19
39282-8-8	12	1/2	-8	12.7	1/2x14	42	15	27
39282-8-8C	12	1/2	-8	12.7	1/2x14	43	17	27
39282-10-10	16	5/8	-10	15.9	5/8x14	53	16	30
39282-10-10B	16	5/8	-10	15.9	5/8x14	55	18	30
39282-12-12	20	3/4	-12	19.0	3/4x14	58	21	32
39282-12-12C	20	3/4	-12	19.1	3/4x14	56	19	32

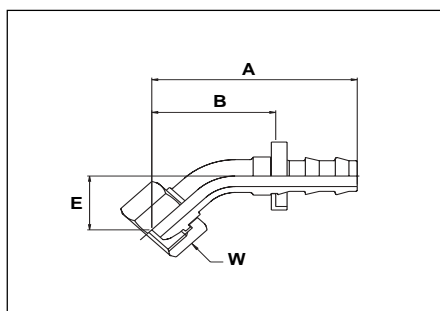
Standard nipples are stocked without plastic collar. If you need a collar, delete K from the part number. B and BK parts have brass nipples and steel nuts.

Material: without suffix = zinc plated - yellow chromated mild steel
 B = Brass
 C = Stainless Steel

For hose types: 801 / 804 / 821 / 821FR / 831 / 836 / 837BM
Only items priced in current price list are carried in stock.
 Dimensions shown may be changed at any time without prior notice.

Push-Lok® Hoses and fittings

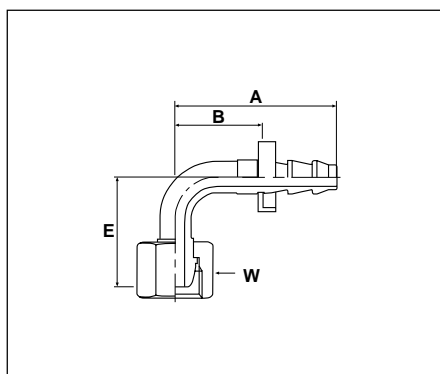
B1 - BSP Swivel Female 45° Elbow



Part Number	Hose-I.D.				BSP thread	A mm	B mm	E mm	W mm
	DN	Inch	Size	mm					
3B182-4-4	6	1/4	-4	6.3	1/4x19	51	32	16	17
3B182-6-6	10	3/8	-6	9.5	3/8x19	69	47	17	19
3B182-8-8	12	1/2	-8	12.7	1/2x14	68	41	19	27
3B182-10-8	12	1/2	-8	12.7	5/8x14	74	42	19	30
3B182-10-10	16	5/8	-10	15.9	5/8x14	81	45	21	30
3B182-12-12	20	3/4	-12	19.0	3/4x14	92	55	27	32
3B182-16-16-K	25	1	-16	25.4	1x11	106	68	31	41

B and BK parts have brass nipples and steel nuts.

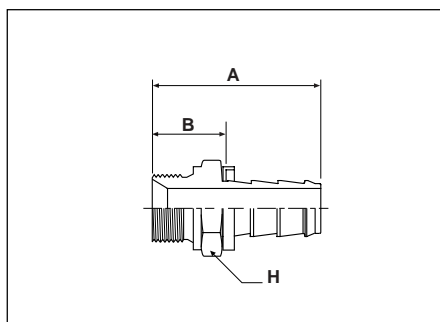
B2 - BSP Swivel Female 90° Elbow



Part Number	Hose-I.D.				BSP thread	A mm	B mm	E mm	W mm
	DN	Inch	Size	mm					
3B282-4-4	6	1/4	-4	6.3	1/4x19	42	23	29	17
3B282-6-6	10	3/8	-6	9.5	3/8x19	49	27	33	19
3B282-8-8	12	1/2	-8	12.7	1/2x14	60	34	39	27
3B282-10-8	12	5/8	-8	12.7	5/8x14	58	32	40	30
3B282-10-10	16	5/8	-10	15.9	5/8x14	71	34	43	30
3B282-10-10B	16	5/8	-10	15.9	5/8x14	74	37	44	30
3B282-12-12	20	3/4	-12	19.1	3/4x14	83	47	53	32
3B282-12-12B	20	3/4	-12	19.1	3/4x14	83	47	53	32
3B282-12-12C	20	3/4	-12	19.1	3/4x14	83	47	53	32
3B282-16-16-K	25	1	-16	25.4	1x11	99	61	68	41

B and BK parts have brass nipples and steel nuts.

D9 - BSP Male Stud (DIN 3852 - Form A)



Part Number	Hose-I.D.				BSP thread	A mm	B mm	H mm
	DN	Inch	Size	mm				
3D982-2-4	6	1/4	-4	6.3	1/8x28	36	17	14
3D982-4-4	6	1/4	-4	6.3	1/4x19	41	23	19
3D982-4-6	10	3/8	-6	9.5	1/4x19	44	21	19
3D982-6-6	10	3/8	-6	9.5	3/8x19	45	23	22
3D982-8-8	12	1/2	-8	12.7	1/2x14	53	27	27
3D982-8-8B	12	1/2	-8	12.7	1/2x14	53	27	2
3D982-8-10	16	5/8	-10	15.9	1/2x14	62	25	27
3D982-10-10	16	5/8	-10	15.9	5/8x14	65	28	30
3D982-12-12	20	3/4	-12	19.1	3/4x14	65	28	32

Material: without suffix = zinc plated - yellow chromated mild steel
 B = Brass
 C = Stainless Steel
 K = Without plastic ring

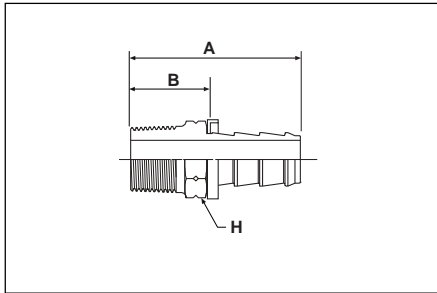
For hose types: 801 / 804 / 821 / 821FR / 831 / 836 / 837BM

Only items priced in current price list are carried in stock.

Dimensions shown may be changed at any time without prior notice.

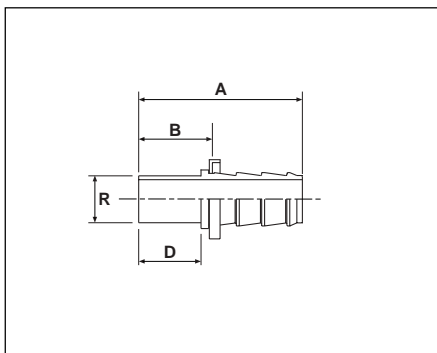
Push-Lok® Hoses and fittings

91 - BSP Taper Male



Part Number	Hose-I.D.				BSP thread	A mm	B mm	H mm
	DN	Inch	Size	mm				
39182-2-4B	6	1/4	-4	6.3	1/8x28	37	18	12
39182-4-4B	6	1/4	-4	6.3	1/4x19	40	21	14
39182-4-6B	10	3/8	-6	9.5	1/4x19	44	21	14
39182-6-6B	10	3/8	-6	9.5	3/8x19	45	22	19
39182-6-8B	12	1/2	-8	12.7	3/8x19	49	22	19
39182-8-8B	12	1/2	-8	12.7	1/2x14	55	29	22
39182-8-10B	16	5/8	-10	15.9	1/2x14	65	28	22
39182-12-10B	16	5/8	-10	15.9	3/4x14	68	31	27
39182-12-12B	20	3/4	-12	19.1	3/4x14	68	31	27

34 - Inch Standpipe



Part Number	Hose-I.D.				Tube O.D. inch	A mm	B mm	D mm
	DN	Inch	Size	mm				
33482-3-4B	6	1/4	-4	6.3	3/16	41	22	19
33482-4-4B	6	1/4	-4	6.3	1/4	48	29	26
33482-5-4B	6	1/4	-4	6.3	5/16	50	30	27
33482-6-6B	10	3/8	-6	9.5	3/8	57	34	31
33482-8-8B	12	1/2	-8	12.7	1/2	55	28	25
33482-10-10B	16	5/8	-10	15.9	5/8	67	30	25
33482-12-12B	20	3/4	-12	19.1	3/4	67	30	25

Not recommended for new construction. Instead use 06 or JC.

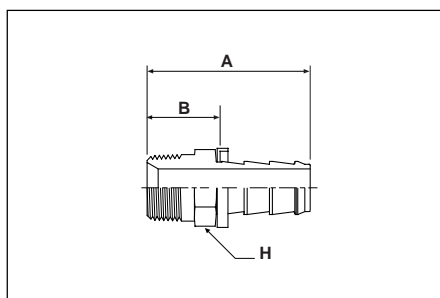
Material: without suffix = zinc plated - yellow chromated mild steel
B = Brass

For hose types: 801 / 804 / 821 / 821FR / 831 / 836 / 837BM

Only items priced in current price list are carried in stock.

Dimensions shown may be changed at any time without prior notice.

01 - NPTF Male Pipe



Part Number	Hose-I.D.				NPTF thread	A mm	B mm	H inch (mm)
	DN	Inch	Size	mm				
30182-2-4	6	1/4	-4	6.3	1/8x27	35	16	7/16
30182-2-4B	6	1/4	-4	6.3	1/8x27	35	16	7/16
30182-2-4C	6	1/4	-4	6.3	1/8x27	35	16	7/16
30182-4-4	6	1/4	-4	6.3	1/4x18	40	21	9/16
30182-4-4B	6	1/4	-4	6.3	1/4x18	40	21	9/16
30182-4-4C	6	1/4	-4	6.3	1/4x18	40	21	9/16
30182-4-4-SM	6	1/4	-4	6.3	1/4x18	40	21	14
30182-6-4	6	1/4	-4	6.3	3/8x18	42	22	11/16
30182-6-4B	6	1/4	-4	6.3	3/8x18	42	22	11/16
30182-6-4C	6	1/4	-4	6.3	3/8x18	42	22	11/16
30182-8-4	6	1/4	-4	6.3	1/2x14	48	29	7/8
30182-2-6	10	3/8	-6	9.5	1/8x27	39	16	1/2
30182-4-6	10	3/8	-6	9.5	1/4x18	45	22	9/16
30182-4-6B	10	3/8	-6	9.5	1/4x18	45	22	9/16
30182-6-6	10	3/8	-6	9.5	3/8x18	45	22	11/16
30182-6-6B	10	3/8	-6	9.5	3/8x18	45	22	11/16
30182-6-6C	10	3/8	-6	9.5	3/8x18	45	22	11/16
30182-8-6	10	3/8	-6	9.5	1/2x14	52	29	7/8
30182-8-6B	10	3/8	-6	9.5	1/2x14	52	29	7/8
30182-4-8	12	1/2	-8	12.7	1/4x18	49	22	5/8
30182-6-8	12	1/2	-8	12.7	3/8x18	49	22	11/16
30182-6-8B	12	1/2	-8	12.7	3/8x18	49	22	11/16
30182-8-8	12	1/2	-8	12.7	1/2x14	55	29	7/8
30182-8-8B	12	1/2	-8	12.7	1/2x14	55	29	7/8
30182-8-8C	12	1/2	-8	12.7	1/2x14	55	29	7/8
30182-12-8	12	1/2	-8	12.7	3/4x14	56	29	1-1/16
30182-12-8B	12	1/2	-8	12.7	3/4x14	56	29	1-1/16
30182-8-10	16	5/8	-10	15.9	1/2x14	66	29	7/8
30182-8-10B	16	5/8	-10	15.9	1/2x14	66	29	7/8
30182-12-10	16	5/8	-10	15.9	3/4x14	66	29	1-1/16
30182-8-12	20	3/4	-12	19.1	1/2x14	66	29	7/8
30182-8-12B	20	3/4	-12	19.1	1/2x14	66	29	7/8
30182-12-12	20	3/4	-12	19.1	3/4x14	66	29	1-1/16
30182-12-12B	20	3/4	-12	19.1	3/4x14	66	29	1-1/16

Material: without suffix = zinc plated - yellow chromated mild steel
 B = Brass
 C = Stainless Steel
 SM = Metric Hexagon

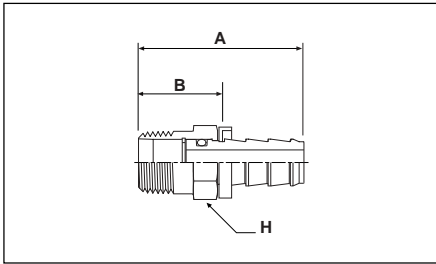
For hose types: 801 / 804 / 821 / 821FR / 831 / 836 / 837BM

Only items priced in current price list are carried in stock.

Dimensions shown may be changed at any time without prior notice.

Push-Lok® Hoses and fittings

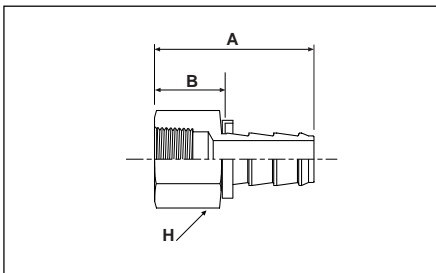
13 - NPTF Swivel Male Pipe



Part Number	Hose-I.D.				NPTF thread	A mm	B mm	H inch
	DN	Inch	Size	mm				
31382-4-4	6	1/4	-4	6.3	1/4x18	41	22	9/16
31382-6-6	10	3/8	-6	9.5	3/8x18	45	23	11/16
31382-8-8	12	1/2	-8	12.7	1/2x14	56	29	7/8
31382-12-12	20	3/4	-12	19.1	3/4x14	94	58	1-1/4

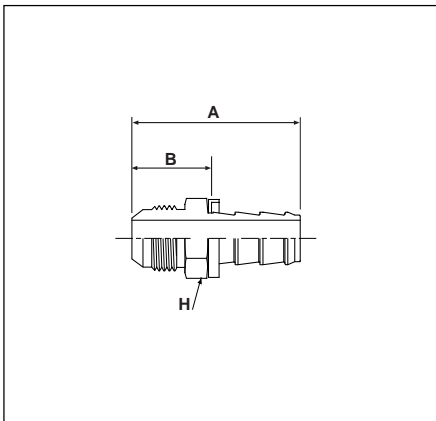
Note: This fitting allows for minor movement under pressure to relieve the torsion on hose, but it is not to be used for continuous or extreme swiveling.
 Note: O-ring is not compatible with Phosphate Ester Fluids.

02 - NPTF Female Pipe



Part Number	Hose-I.D.				NPTF thread	A mm	B mm	H inch (mm)
	DN	Inch	Size	mm				
30282-4-4B	6	1/4	-4	6.3	1/4x18	40	21	3/4
30282-6-6B	10	3/8	-6	9.5	3/8x18	46	23	7/8
30282-6-6C-SM	10	3/8	-6	9.5	3/8x18	46	24	22
30282-8-8B	12	1/2	-8	12.7	1/2x14	55	28	1-1/16

03 - JIC 37° Male



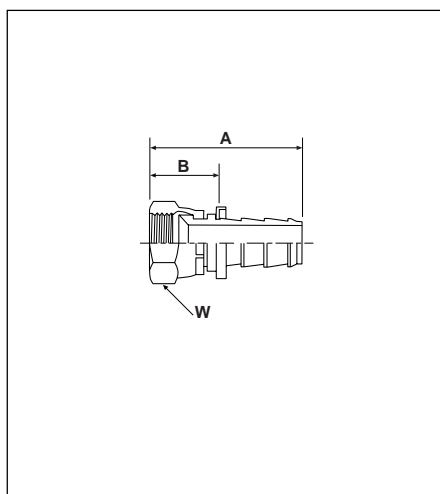
Part Number	Hose-I.D.				UNF thread	A mm	B mm	H inch
	DN	Inch	Size	mm				
30382-4-4	6	1/4	-4	6.3	7/16x20	40	21	1/2
30382-4-4B	6	1/4	-4	6.3	7/16x20	40	21	1/2
30382-4-4C	6	1/4	-4	6.3	7/16x20	40	21	1/2
30382-5-4	6	1/4	-4	6.3	1/2x20	40	21	9/16
30382-5-4B	6	1/4	-4	6.3	1/2x20	40	21	9/16
30382-6-6	10	3/8	-6	9.5	9/16x18	45	22	5/8
30382-6-6B	10	3/8	-6	9.5	9/16x18	45	22	5/8
30382-8-8	12	1/2	-8	12.7	3/4x16	52	26	3/4
30382-8-8B	12	1/2	-8	12.7	3/4x16	52	26	3/4
30382-12-12	20	3/4	-12	19.1	1-1/16x12	69	32	1-1/8
30382-12-12B	20	3/4	-12	19.1	1-1/16x12	69	32	1-1/8
30382-12-12C	20	3/4	-12	19.1	1-1/16x12	69	32	1-1/8

Material: without suffix = zinc plated - yellow chromated mild steel
 B = Brass
 C = Stainless Steel
 SM = Metric Hexagon

For hose types: 801 / 804 / 821 / 821FR / 831 / 836 / 837BM
Only items priced in current price list are carried in stock.
 Dimensions shown may be changed at any time without prior notice.

Push-Lok® Hoses and fittings

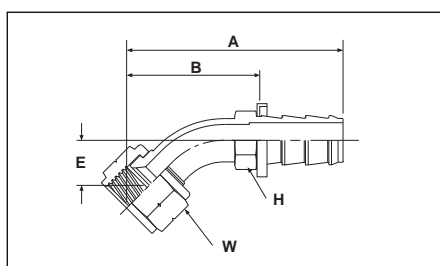
06/68 - Swivel Female - 06 JIC - 37° - 68 JIC - 37° and SAE - 45°



Part Number	Hose-I.D.				UNF thread	A mm	B mm	W inch (mm)
	DN	Inch	Size	mm				
30682-4-4	6	1/4	-4	6,3	7/16x20	39	19	9/16
30682-4-4B	6	1/4	-4	6,3	7/16x20	39	19	9/16
30682-4-4C	6	1/4	-4	6,3	7/16x20	39	19	9/16
30682-5-4	6	1/4	-4	6,3	1/2x20	40	21	5/8
30682-5-4B	6	1/4	-4	6,3	1/2x20	40	21	5/8
30682-6-4B	6	1/4	-4	6,3	9/16x18	42	22	11/16
30682-5-6B	10	3/8	-6	9,5	1/2x20	44	21	5/8
30682-6-6	10	3/8	-6	9,5	9/16x18	46	22	11/16
30682-6-6B	10	3/8	-6	9,5	9/16x18	46	22	11/16
30682-6-6C	10	3/8	-6	9,5	9/16x18	46	22	11/16
30682-8-6B	10	3/8	-6	9,5	3/4x16	47	24	7/8
36882-8-6-SM	10	3/8	-6	9,5	3/4x16	48	25	22
36882-8-6C-SM	10	3/8	-6	9,5	3/4x16	48	25	22
30682-4-8B	12	1/2	-8	12,7	7/16x20	46	19	9/16
30682-6-8	12	1/2	-8	12,7	9/16x18	50	22	11/16
30682-6-8B	12	1/2	-8	12,7	9/16x18	50	22	11/16
30682-8-8	12	1/2	-8	12,7	3/4x16	51	24	7/8
30682-8-8B	12	1/2	-8	12,7	3/4x16	51	24	7/8
30682-8-8C	12	1/2	-8	12,7	3/4x16	51	24	7/8
30682-10-8B	12	1/2	-8	12,7	7/8x14	52	25	1
30682-12-8	12	1/2	-8	12,7	1-1/16x12	57	30	1-1/4
30682-12-8B	12	1/2	-8	12,7	1-1/16x12	57	30	1-1/4
30682-8-10	16	5/8	-10	15,9	3/4x16	61	24	7/8
30682-10-10	16	5/8	-10	15,9	7/8x14	62	25	1
30682-10-10B	16	5/8	-10	15,9	7/8x14	62	25	1
36882-10-10C-SM	16	5/8	-10	15,9	7/8x14	65	28	27
30682-12-12	20	3/4	-12	19,1	1-1/16x12	67	30	1-1/4
30682-12-12B	20	3/4	-12	19,1	1-1/16x12	67	30	1-1/4
30682-12-12C	20	3/4	-12	19,1	1-1/16x12	67	30	1-1/4
30682-14-12	20	3/4	-12	19,1	1-3/16x12	68	31	1-3/8
30682-14-12B-SM	20	3/4	-12	19,1	1-3/16x12	68	31	36

B and BK parts have brass nipples and steel nuts.

37 - JIC 37° Swivel Female 45° Elbow



Part Number	Hose-I.D.				UNF thread	A mm	B mm	E mm	W mm
	DN	Inch	Size	mm					
33782-4-4	6	1/4	-4	6,3	7/16x20	39	20	8	9/16
33782-6-6	10	3/8	-6	9,5	9/16x18	53	30	10	11/16
33782-8-8	12	1/2	-8	12,7	3/4x16	54	35	14	7/8

Material: without suffix = zinc plated - yellow chromated mild steel
 B = Brass
 C = Stainless Steel
 SM = Metric Hexagon

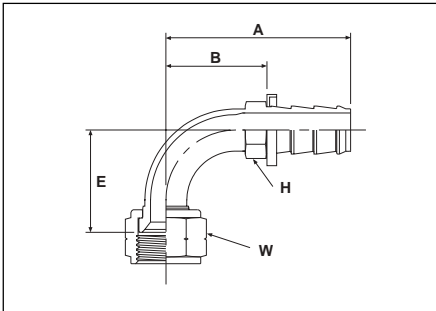
For hose types: 801 / 804 / 821 / 821FR / 831 / 836 / 837BM

Only items priced in current price list are carried in stock.

Dimensions shown may be changed at any time without prior notice.

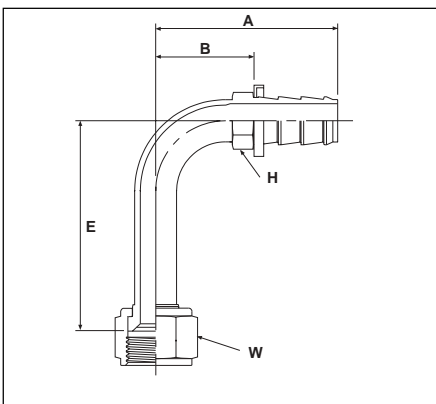
Push-Lok® Hoses and fittings

39 - JIC 37° Swivel Female 90° Elbow (Short)



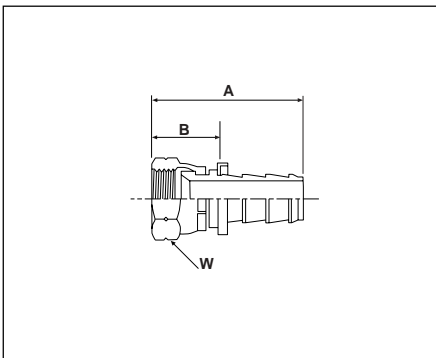
Part Number	Hose-I.D.				UNF thread	A mm	B mm	E mm	W inch (mm)
	DN	Inch	Size	mm					
33982-4-4	6	1/4	-4	6.3	7/16x20	39	20	17	5/8
33982-6-6	10	3/8	-6	9.5	9/16x18	50	28	22	11/16
33982-6-6C-SM	10	3/8	-6	9.5	9/16x18	49	27	22	17
33982-8-8	12	1/2	-8	12.7	3/4x16	59	33	28	7/8
33982-10-10	16	5/8	-10	15.9	7/8x14	74	37	31	1
33982-12-12	20	3/4	-12	19.1	1-1/16x12	84	46	46	1-1/4

41 - JIC 37° Swivel Female 90° Elbow (Extra Long)



Part Number	Hose-I.D.				UNF thread	A mm	B mm	E mm	W mm
	DN	Inch	Size	mm					
34182-4-4	6	1/4	-4	6.3	7/16x20	39	20	46	14
34182-6-6	10	3/8	-6	9.5	9/16x18	50	27	55	18

08 - SAE 45° Swivel Female



Part Number	Hose-I.D.				UNF thread	A mm	B mm	W inch
	DN	Inch	Size	mm				
30882-4-4	6	1/4	-4	6.3	7/16x20	39	19	9/16
30882-4-4B	6	1/4	-4	6.3	7/16x20	39	19	9/16
30882-5-4	6	1/4	-4	6.3	1/2x20	40	21	5/8
30882-5-4B	6	1/4	-4	6.3	1/2x20	40	21	5/8
30882-6-6	10	3/8	-6	9.5	5/8x18	46	23	3/4
30882-6-6B	10	3/8	-6	9.5	5/8x18	46	23	3/4
30882-8-6B	10	3/8	-6	9.5	3/4x16	47	24	7/8
30882-6-8	12	1/2	-8	12.7	5/8x18	50	23	3/4
30882-8-8	12	1/2	-8	12.7	3/4x16	51	25	7/8
30882-8-8B	12	1/2	-8	12.7	3/4x16	51	25	7/8
30882-10-8B	12	1/2	-8	12.7	7/8x14	54	28	1
30882-10-10	16	5/8	-10	15.9	7/8x14	65	28	1
30882-10-10B	16	5/8	-10	15.9	7/8x14	65	28	1
30882-12-12	20	3/4	-12	19.1	1-1/16x14	67	30	1-1/4
30882-12-12B	20	3/4	-12	19.1	1-1/16x14	67	30	1-1/4

B and BK parts have brass nipples and steel nuts.

Material: without suffix = zinc plated - yellow chromated mild steel
 C = Stainless Steel
 SM = Metric Hexagon
 B = Brass

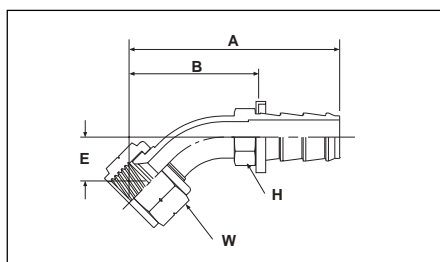
For hose types: 801 / 804 / 821 / 821FR / 831 / 836 / 837BM

Only items priced in current price list are carried in stock.

Dimensions shown may be changed at any time without prior notice.

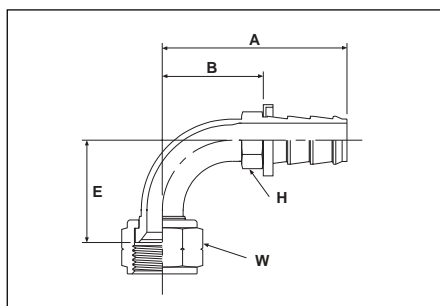
Push-Lok® Hoses and fittings

77 - SAE 45° Swivel Female 45° Elbow



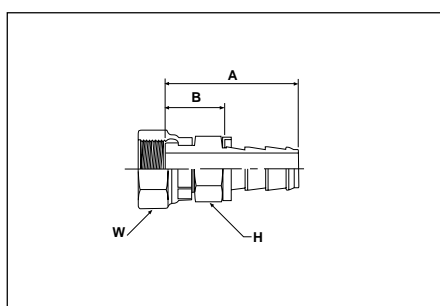
Part Number	Hose-I.D.				UNF thread	A mm	B mm	E mm	W mm
	DN	Inch	Size	mm					
37782-4-4	6	1/4	-4	6.3	7/16x20	39	20	8	9/16
37782-6-6	10	3/8	-6	9.5	5/8x18	53	30	10	13/16
37782-8-8	12	1/2	-8	12.7	3/4x16	54	35	14	7/8

79 - SAE 45° Swivel Female 90° Elbow



Part Number	Hose-I.D.				UNF thread	A mm	B mm	E mm	W mm
	DN	Inch	Size	mm					
37982-4-4	6	1/4	-4	6.3	7/16x20	39	20	17	5/8
37982-6-6	10	3/8	-6	9.5	5/8x18	50	28	22	3/4
37982-8-8	12	1/2	-8	12.7	3/4x16	59	33	28	7/8

JC - ORFS Swivel Female (Short)



Part Number	Hose-I.D.				UNF thread	A mm	B mm	H inch mm	W inch mm
	DN	Inch	Size	mm					
3JC82-4-4	6	1/4	-4	6.3	9/16x18	36	17	9/16	11/16
3JC82-6-6	10	3/8	-6	9.5	11/16x16	40	18	11/16	13/16
3JC82-6-6-SM	10	3/8	-6	9.5	11/16x16	41	18	19	22
3JC82-8-6	10	3/8	-6	9.5	13/16x16	42	19	13/16	15/16
3JC82-8-8	12	1/2	-8	12.7	13/16x16	46	19	13/16	15/16
3JC82-8-10	16	5/8	-10	15.9	13/16x16	57	21	3/4	15/16
3JC82-10-10	16	5/8	-10	15.9	1x14	61	24	15/16	1-1/8
3JC82-10-12	20	3/4	-12	19.1	1x14	61	24	1	1-1/8
3JC82-12-12	20	3/4	-12	19.1	1-3/16x12	67	30	1-1/8	1-3/8

Material: without suffix = zinc plated - yellow chromated mild steel
SM = Metric Hexagon

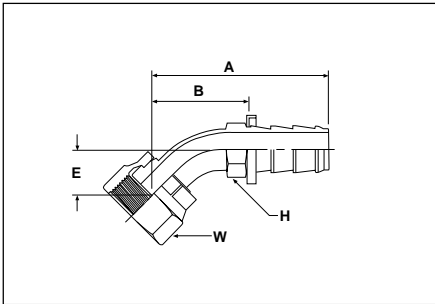
For hose types: 801 / 804 / 821 / 821FR / 831 / 836 / 837BM

Only items priced in current price list are carried in stock.

Dimensions shown may be changed at any time without prior notice.

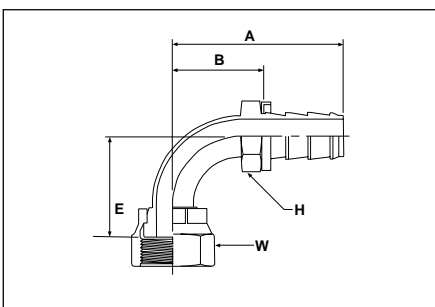
Push-Lok® Hoses and fittings

J7 - ORFS Swivel Female 45° Elbow



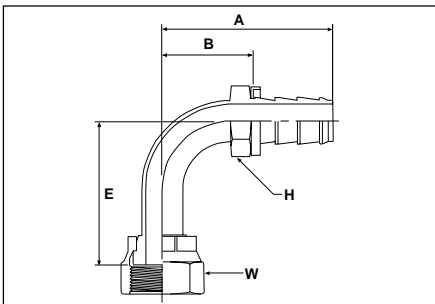
Part Number	Hose-I.D.			UNF thread	A mm	B mm	E mm	W inch	
	DN	Inch	Size						
3J782-4-4	6	1/4	-4	6.3	9/16x18	49	30	10	11/16
3J782-6-6	10	3/8	-6	9.5	11/16x16	55	33	11	13/16
3J782-8-6	10	3/8	-6	9.5	13/16x16	65	41	15	15/16
3J782-8-8	12	1/2	-8	12.7	13/16x16	67	41	15	15/16
3J782-10-10	16	5/8	-10	15.9	1x14	79	43	16	1-1/8
3J782-12-12	20	3/4	-12	19.1	1-3/16x12	82	45	21	1-3/8

J9 - ORFS Swivel Female 90° Elbow



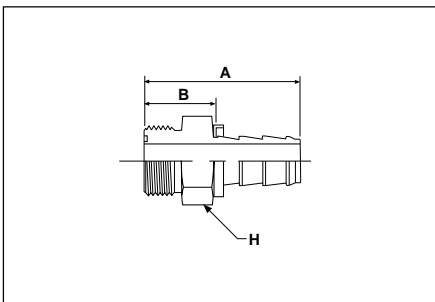
Part Number	Hose-I.D.			UNF thread	A mm	B mm	E mm	W inch	
	DN	Inch	Size						
3J982-4-4	6	1/4	-4	6.3	9/16x18	49	30	21	11/16
3J982-6-6	10	3/8	-6	9.5	11/16x16	52	29	23	13/16
3J982-8-6	10	3/8	-6	9.5	13/16x16	56	33	32	15/16
3J982-6-8	12	1/2	-8	12.7	11/16x16	55	29	23	13/16
3J982-8-8	12	1/2	-8	12.7	13/16x16	60	34	29	15/16
3J982-10-10	16	5/8	-10	15.9	1x14	72	35	32	1-1/8
3J982-12-12	20	3/4	-12	19.1	1-3/16x12	79	42	48	1-3/8

J1 - ORFS Swivel Female 90° Elbow (Extra Long)



Part Number	Hose-I.D.			UNF thread	A mm	B mm	E mm	W inch	
	DN	Inch	Size						
3J182-4-4	6	1/4	-4	6.3	9/16x18	44	25	46	11/16
3J182-6-6	10	3/8	-6	9.5	11/16x16	54	31	54	13/16
3J182-8-8	12	1/2	-8	12.7	13/16x16	61	35	64	15/16

JM - ORFS Male



Part Number	Hose-I.D.			UNF thread	A mm	B mm	H inch	
	DN	Inch	Size					
3JM82-8-8	12	1/2	-8	12.7	13/16x16	48	22	9/16
3JM82-12-12	20	3/4	-12	19.1	1-3/16x12	68	31	1-1/8

JM fittings are supplied without O-Ring. For fittings with O-Ring please replace JM by J0.
Fittings with standard O-Ring seals can be used for temperatures from -30 °C up to +105 °C.
Find O-Rings in section I. Special O-Rings are available on request.

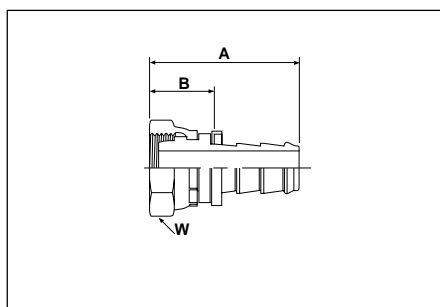
For hose types: 801 / 804 / 821 / 821FR / 831 / 836 / 837BM

Only items priced in current price list are carried in stock.

Dimensions shown may be changed at any time without prior notice.

Push-Lok® Hoses and fittings

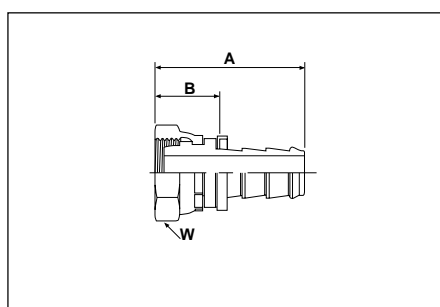
FB - French Compression Swivel Female



Part Number	Hose-I.D.				Thread metric	Tube O.D. mm	A mm	B mm	W mm
	DN	Inch	Size	mm					
3FB82-6-4B	6	1/4	-4	6.3	M10x1	6	35	16	14
3FB82-8-4B	6	1/4	-4	6.3	M12x1	8	31	12	14
3FB82-10-4B	6	1/4	-4	6.3	M16x1.5	10	31	12	19
3FB82-10-6B	10	3/8	-6	9.5	M16x1.5	10	34	12	19
3FB82-14-6B	10	3/8	-6	9.5	M20x1.5	14	35	12	24
3FB82-14-8B	12	1/2	-8	12.7	M20x1.5	14	38	12	24
3FB82-18-8B	12	1/2	-8	12.7	M24x1.5	18	40	14	30
3FB82-18-10B	16	5/8	-10	15.9	M24x1.5	18	50	15	30
3FB82-22-12B	20	3/4	-12	19.1	M30x1.5	22	53	17	36
3FB82-28-16B	25	1	-16	25.4	M36x1.5	28	52	15	42
3FB82-28-16BK	25	1	-16	25.4	M36x1.5	28	52	14	42

B and BK parts have brass nipples and steel nuts.

FF - Metru-Lok Swivel Female



Part Number	Hose-I.D.				Thread metric	Tube O.D. mm	A mm	B mm	W mm
	DN	Inch	Size	mm					
3FF82-6-4B	6	1/4	-4	6.3	M10x1	6	36	16	14
3FF82-8-4B	6	1/4	-4	6.3	M12x1	8	31	12	14
3FF82-10-6B	10	3/8	-6	9.5	M14x1	10	35	12	17
3FF82-12-6B	10	3/8	-6	9.5	M16x1	12	35	12	19
3FF82-14-8B	12	1/2	-8	12.7	M18x1	14	38	12	22
3FF82-16-8B	12	1/2	-8	12.7	M22x1.5	16	38	12	24
3FF82-18-10B	16	5/8	-10	15.9	M24x1.5	18	51	15	27
3FF82-22-12B	20	3/4	-12	19.1	M28x1.5	22	51	15	32

B and BK parts have brass nipples and steel nuts.

Material: without suffix = zinc plated - yellow chromated mild steel
 B = Brass
 BK = Brass without plastic ring

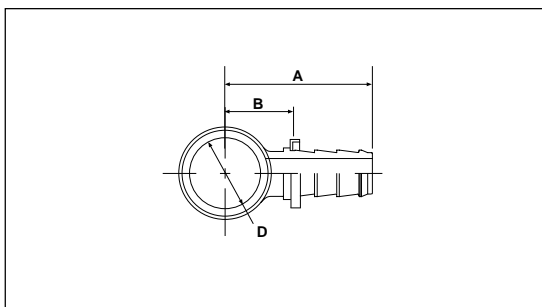
For hose types: 801 / 804 / 821 / 821FR / 831 / 836 / 837BM

Only items priced in current price list are carried in stock.

Dimensions shown may be changed at any time without prior notice.

Push-Lok® Hoses and fittings

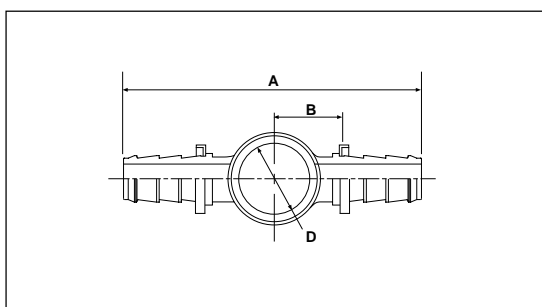
49 - Banjo Union DIN 7642



Part Number	Hose-I.D.				Diameter D mm	A mm	B mm
	DN	Inch	Size	mm			
34982-8-4	6	1/4	-4	6.3	8	36	17
34982-10-4	6	1/4	-4	6.3	10	38	19
34982-12-4	6	1/4	-4	6.3	12	40	21
34982-14-4	6	1/4	-4	6.3	14	42	23
34982-10-6	10	3/8	-6	9.5	10	42	19
34982-12-6	10	3/8	-6	9.5	12	44	21
34982-14-6	10	3/8	-6	9.5	14	47	24
34982-14-6C	10	3/8	-6	9.5	14	47	24
34982-16-6	10	3/8	-6	9.5	16	49	26
34982-17-6	10	3/8	-6	9.5	17	49	26
34982-17-6C	10	3/8	-6	9.5	17	49	26
34982-14-8	12	1/2	-8	12.7	14	51	25
34982-18-8	12	1/2	-8	12.7	18	55	28
34982-22-8	12	1/2	-8	12.7	22	58	31
34982-22-10	16	5/8	-10	15.9	22	68	32
34982-26-12	20	3/4	-12	19.1	26	73	37

Find banjo bolts on page O29.

DE - Double Banjo Union



Part Number	Hose-I.D.				Diameter D mm	A mm	B mm
	DN	Inch	Size	mm			
3DE82-8-4	6	1/4	-4	6.3	8	37	18
3DE82-10-4	6	1/4	-4	6.3	10	42	23
3DE82-12-4	6	1/4	-4	6.3	12	45	24
3DE82-10-6	10	3/8	-6	9.5	10	46	23
3DE82-12-6	10	3/8	-6	9.5	12	47	24
3DE82-14-6	10	3/8	-6	9.5	14	49	25
3DE82-16-6	10	3/8	-6	9.5	16	52	28

Find banjo bolts on page O29.

Material: without suffix = zinc plated - yellow chromated mild steel
C = Stainless Steel

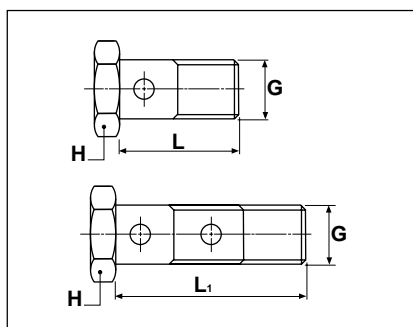
For hose types: 801 / 804 / 821 / 821FR / 831 / 836 / 837BM

Only items priced in current price list are carried in stock.

Dimensions shown may be changed at any time without prior notice.

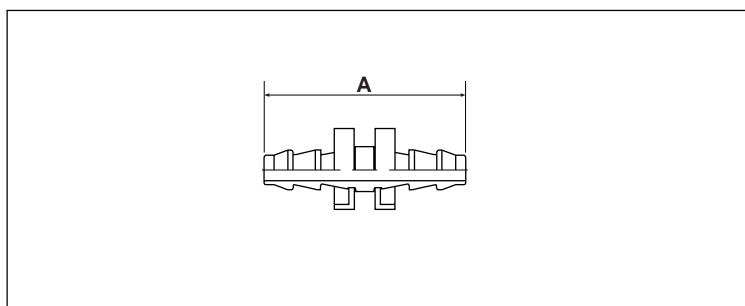
Push-Lok® Hoses and fittings

AM/AR - Banjo Bolt (DIN 7643)



Part Number single	Part Number double	I.D. Banjo mm	G Thread metric / inch	L Single mm	L1 Double mm	H mm
AM3	A2M3	8	M8x1	17	26	12
AM4	A2M4	10	M10x1	19	30	14
AR4		10	1/8	19		14
AM6	A2M6	12	M12x1.5	26	38	17
AM8	A2M8	14	M14x1.5	26	41	19
AR8		14	1/4	26		19
AR-08C			1/4	26		19
AM10	A2M10	16	M16x1.5	28	46	22
AR10		17	3/8	29		22
AM13		18	M18x1.5	32		24
AM16		22	M22x1.5	40		27
AR16		22	1/2	40		27
AM20		26	M26x1.5	45		32

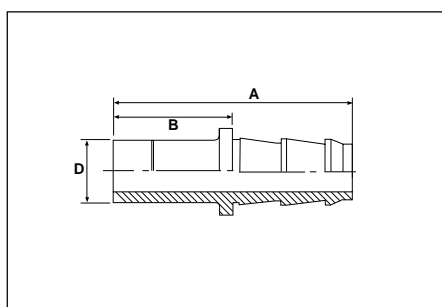
82 - Push-Lok® Union



Part Number	Hose-I.D.			A mm
	DN	Inch	Size	
38282-4-4B	6	1/4	-4	6.3
38282-6-6B	10	3/8	-6	9.5
38282-8-8	12	1/2	-8	12.7
38282-10-10	16	5/8	-10	15.9
38282-10-10B	16	5/8	-10	15.9
38282-12-12	20	3/4	-12	19.0
38282-12-12B	20	3/4	-12	19.1

Standard material: brass

VW - Push-in Connector (VW standard 39-V-16619)



Part Number	Hose-I.D.				Tube O.D. MM	A mm	B mm	D mm
	DN	Inch	Size	mm				
3VW82-6-4BK	6	1/4	-4	6.3	6	42	23	5
3VW82-8-4BK	6	1/4	-4	6.3	8	44	24	5
3VW82-8-4CK	6	1/4	-4	6.3	8	44	24	5
3VW82-10-6BK	10	3/8	-6	9.5	10	49	26	8
3VW82-14-8BK	12	1/2	-8	12.7	14	56	29	11

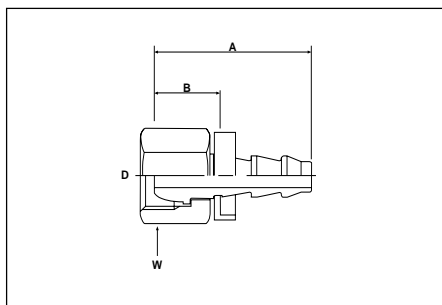
Standard material: brass

Material: without suffix = zinc plated - yellow chromated mild steel
 B = Brass
 BK = Brass without plastic ring
 C = Stainless steel
 K = Without plastic ring

For hose types: 801 / 804 / 821 / 821FR / 831 / 836 / 837BM
Only items priced in current price list are carried in stock.
 Dimensions shown may be changed at any time without prior notice.

Push-Lok® Hoses and fittings

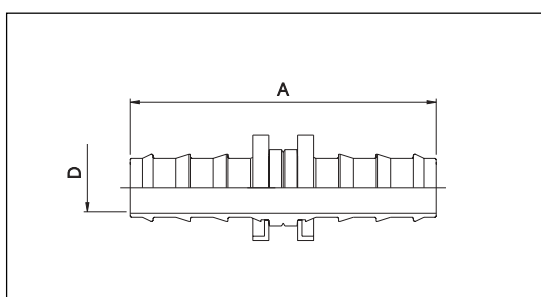
VW121 - BSP Swivel Female (VW standard 39-V-16631)



Part Number	Hose-I.D.				BSP thread	A mm	B mm	D mm	W mm
	DN	Inch	Size	mm					
VW121-8937*	6	1/4	-4	6.3	1/4x19	32	13	5	17
VW121-8938**	10	3/8	-6	9.5	3/8x19	38	15	7,5	19
VW121-8939**	14	1/2	-8	12.7	1/2x14	46	19	11	27
VW121-8940**	16	5/8	-10	15.9	3/4x14	58	21	14	32
VW121-8941**	20	3/4	-12	19.0	1x11	53	16	17	41

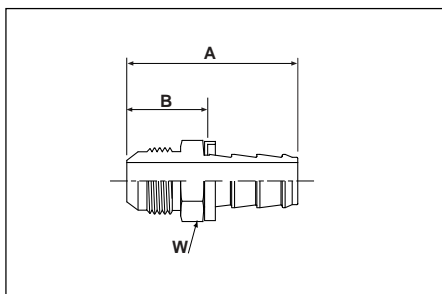
*stainless steel nipple, steel nut
**brass nipple, steel nut

VW39D - Push-in Connector (VW standard 39D-1401)



Part Number	Hose-I.D.				Tube O.D. mm	A mm	D mm
	DN	Inch	Size	mm			
VW39D-1401/1C			-1		4	46	5
VW39D-1401/2B	3	1/8	-2	3.2	6	55	8
VW39D-1401/3B	5	3/16	-3	4.8	8	64	11
VW39D-1401/4B	6	1/4	-4	6.3	10	84	14
38282-12-12B	20	3/4	-12	19.1	12	84	18

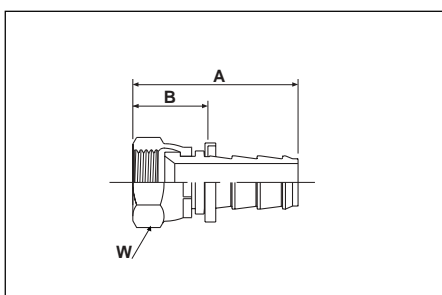
H898202 - Male (Ford standard UWR 003-03180)



Part Number	Hose-I.D.				Thread metric	A mm	B mm	W mm
	DN	Inch	Size	mm				
H898202	10	3/8	-6	9.5	M14x1.5	43	21	17

Standard material: brass

H897995 - Female (Ford standard UWR 003-03180)



Part Number	Hose-I.D.				Thread metric	A mm	B mm	W mm
	DN	Inch	Size	mm				
H897995	10	3/8	-6	9,5	M14x1.5	43	21	17

Standard material: brass

Material: without suffix = zinc plated - yellow chromated mild steel
B = Brass
C = Stainless Steel

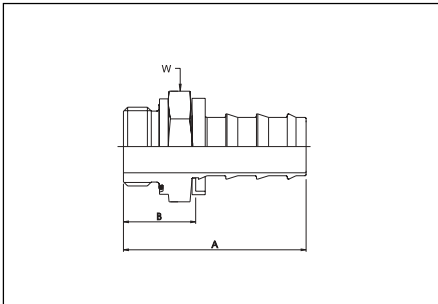
For hose types: 801 / 804 / 821 / 821FR / 831 / 836 / 837BM

Only items priced in current price list are carried in stock.

Dimensions shown may be changed at any time without prior notice.

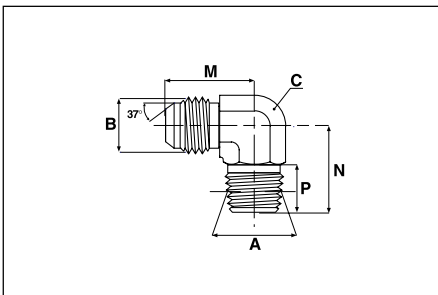
Push-Lok® Hoses and fittings

AF - Male BSP Parallel Pipe - Rigid - Straight (with O-ring Seal)



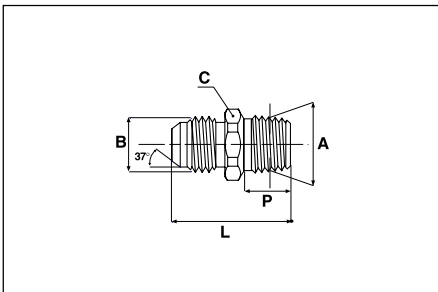
Part Number	Hose-I.D.			BSP thread	A mm	B mm	H inch	
	DN	Inch	Size mm					
3AF82-2-4B	6	1/4	-4	6.3	1/8x28	34	15	17
3AF82-4-4B	6	1/4	-4	6.3	1/4x19	39	20	19
3AF82-4-6B	10	3/8	-6	9.5	1/4x19	43	20	19
3AF82-6-6B	10	3/8	-6	9.5	3/8x19	46	23	22
3AF82-6-8B	12	1/2	-8	12.7	3/8x19	49	22	22
3AF82-8-8B	12	1/2	-8	12.7	1/2x14	53	26	27
3AF82-8-10B	16	5/8	-10	15.9	1/2x14	63	26	27

M14-4C3MX8BH22 - Male nipple 90° elbow (Ford standard UWR 003-04090)



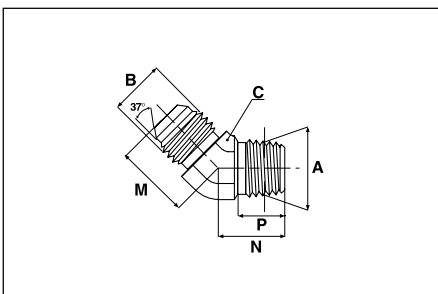
Part Number	A inch	B thread metric	C mm	M mm	N mm	P mm
M14-4C3MX8BH22	R 1/4	M14x1.5	14	25	22	12

M14-4F3MX8BL31 - Male nipple straight fitting (Ford standard UWR 003-04180)



Part Number	A inch	B thread metric	C mm	L mm	P mm
M14-4F3MX8BL31	R 1/4	M14x1.5	17	31	12

M14-4V3MX8BH17 - Male nipple 45° elbow (Ford standard UWR 003-04045)



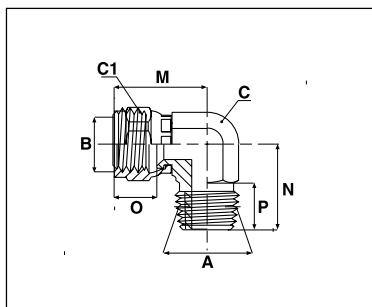
Part Number	A inch	B thread metric	C mm	M mm	N mm	P mm
M14-4V3MX8BH17	R1/4	M14x1.5	14	18	17	12

Material: without suffix = zinc plated - yellow chromated mild steel
B = Brass

For hose types: 801 / 804 / 821 / 821FR / 831 / 836 / 837BM
Only items priced in current price list are carried in stock.
Dimensions shown may be changed at any time without prior notice.

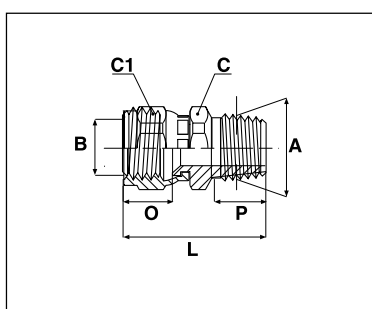
Push-Lok® Hoses and fittings

M14-4C63MX8BH22 - Male swivel nut 90° elbow (Ford standard UWR 003-03090)



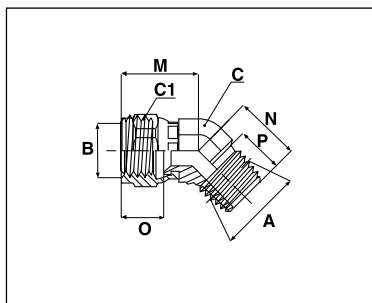
Part Number	A inch	B thread metric	C mm	C1 mm	M mm	N mm	O mm	P mm
M14-4C63MX8BH22	R 1/4	M14x1.5	14	17	24	22	11	12

M14-4F63MX8BL32 - Male swivel nut straight fitting (Ford standard UWR 003-03180)



Part Number	A inch	B thread metric	C mm	C1 mm	L mm	O mm	P mm
M14-4F63MX8BL32	R 1/4	M14x1.5	17	17	32	11	12

M14-4V63MX8BH17 - Male swivel nut 45° elbow (Ford standard UWR 003-03045)



Part Number	A inch	B thread metric	C mm	C1 mm	M mm	N mm	O mm	P mm
M14-4V63MX8BH17	R 1/4	M14x1.5	14	17	20	17	11	12

For hose types: 801 / 804 / 821 / 821FR / 831 / 836 / 837BM

Only items priced in current price list are carried in stock.

Dimensions shown may be changed at any time without prior notice.

Push-Lok® Hoses and fittings

Push-Lok Chemical Resistance

Medium	I	II	III	IV	V	STEEL	BRASS	SS
Acetic Acid	X	X	X	A	(7)	X	X	A
Acetone	X	X	X	A	A	A	A	A
Acetylene	X	X	X	X	(2)	-	-	-
Addinol okoptus HETG 32-68	A(4)	F(14)	-	-	-	A	A	A
Addinol okosynth HEES 46	F(4)	F(14)	-	-	-	A	A	A
AEROSHELL Turbine Oil 500	F(3)	F	X	A	X	A	A	A
Agip Arnica S46	A(3)	F(14)	-	-	-	A	A	A
Air (1,4)	A	A	A	A	A	A	A	A
Air (dry) (13)	F	F	X	A	A	A	A	A
Alcohol (Methanol-Ethanol)	F	F	F	F	F	F	A	A
Ammonium Chloride	A	A	A	A	A	X	X	X
Ammonium Hydroxide	F	F	F	A	A	F	X	A
Ammonium Nitrate	A	A	A	F	A	F	X	A
Ammonium Phosphate	A	A	A	A	A	X	X	F
Ammonium Sulfate	A	A	A	A	A	F	X	F
Amyl Alcohol	X	X	X	F	F	X	A	A
Anhydrous Ammonia	X	X	X	X	X	X	X	X
Aniline	X	X	X	F	A	A	X	A
Animal Fats	F(3)	F	X	F	F	(7)	(7)	A
Aral Vitam EHF 46	A(4)	A(14)	-	-	-	A	A	A
Aromatic 100,150	F(3)	F	X	-	X	A	A	A
Asphalt	X	F	X	F	X	X	(7)	A
ASTM #3 Oil	F	F	F	F	X	A	A	A
ATF-M	(3)	A	F	A	X	A	A	A
Automotive Brake Fluid	X	X	X	X	-	X	X	X
Avia Aviacub synthofluid	F(4)	A(14)	-	-	-	A	A	A
Avia hydraulik bio	A(4)	F(14)	-	-	-	A	A	A
Benzene, Benzol	X	X	X	F	X	A	A	A
Benzine	X	X	X	F	X	A	A	A
Borax	F(3)	F	F	F	A	F	A	A
Boric Acid	A	A	A	X	A	X	(7)	A
BP biohyd SE 46	(3)	F(14)	-	-	-	A	A	A
BP energol HLP-HM 68	A	A	A	F	X	A	A	A
Brayco 882	(3)	A	X	A	X	A	A	A
Brayco Micronic 776RP	(3)	A	F	F	X	A	A	A
Brayco Micronic 889	F(3)	F	X	-	X	A	A	A
Brine	F	F	F	A	A	X	F	(7)
Butane	F(2)	F	X	-	X	A	A	A
Butyl Alcohol, Butanol	F	F	F	F	F	F	F	A
Calcium Chloride	A	A	A	F	A	F	F	X
Calcium Hydroxide	A	A	A	A	A	A	A	A
Calcium Hypochlorite	X	X	X	A	A	X	(7)	X
Calibrating Fluid	A	A	A	A	X	A	A	A
Carbon Dioxide	F(7)	F	F	F	(7)	A	A	A
Carbon Disulfide	X	X	X	F	X	A	F	A
Carbon Monoxide (hot)	F	F	F	F	(7)	F	(7)	A
Carbon Tetrachloride	X	X	X	F	X	(7)	(7)	(7)
Carbonic Acid	F	F	F	X	F	X	X	F
Castor Oil	A	A	A	A	A	A	A	A
Castrol 5000	F(3)	F	X	A	X	A	A	A
Castrol BioTec Alpin 22	(3)	A(4)	-	-	-	A	A	A
Cellugard	A	A	A	-	A	A	A	A
Chevron Clarity AW 32, 46, 68	A	A	A	A	X	A	A	A
Chevron FLO-COOL 180	F	F	F	-	X	A	A	A
Chevron FR-8, 10, 13, 20	X	X	X	X	A	A	A	A
Chevron Hydraulic Oils AW MV 15, 32, 46, 68, 100	A	A	A	A	X	A	A	A
Chevron HyJet IV (9)	X	X	X	X	A	A	A	A
Citric Acid	(3)	A	F	X	A	X	(7)	(7)
Coolanol 15, 20, 25, 35, 45	A	A	A	A	A	A	A	A
Copper Chloride	(3)	A	F	X	A	X	(7)	X
Copper Sulfate	A	A	A	X	A	X	X	(7)
Cosmolubric HF-122, HF-130, HF-144	(11)	(11)	X	X	X	A	A	A
Cottonseed Oil	(3)	A	F	F	X	A	A	A
Crude Petroleum Oil	(3)	A	F	A	X	(7)	(7)	A
DEA econa E46	A(4)	F(14)	-	-	-	A	A	A
Deionized Water	A	A	A	A	A	F	F	A
Dextron II ATF	(3)	A	F	A	X	A	A	A
Diesel Fuel	(3)	A	X	A	X	A	A	A
Diester Fluids	X	X	X	F	X	A	A	A
Dow Corning DC 200, 510, 550, 560, FC126	A	A	A	F	-	A	A	A
Dow HD50-4	F	F	F	-	-	-	-	A
Dowtherm A,E	X	X	X	F	X	A	A	A
Dowtherm G	X	X	X	X	X	A	A	A
Elf hydref bio 46	A(4)	A(14)	-	-	-	A	A	A
Esso hydrauliköl HE 46	A(4)	F(14)	-	-	-	A	A	A
Ethanol	F	F	F	F	F	F	A	A
Ethers	-	-	-	F	-	A	A	A
Ethyl Acetate	X	X	X	F	F	F	A	A
Ethyl Alcohol	F	F	F	F	F	F	A	A
Ethyl Cellulose	F	F	F	F	F	X	F	F
Ethyl Chloride	X	X	X	X	A	F	F	F
Ethylene Dichloride	X	X	X	F	X	X	A	X
Ethylene Glycol	(3)	A	F	A	A	A	F	A
Exxon 3110 FR	A	A	A	A	X	A	A	A

Push-Lok® Hoses and fittings

Medium	I	II	III	IV	V	STEEL	BRASS	SS
Exxon Esstic	A	A	A	A	A	A	A	A
Exxon Nuto H 46, 68	A	A	A	A	X	A	A	A
Exxon Tellura Industrial Process Oils	A	A	A	A	X	A	A	A
Exxon Terresstic	A	A	A	A	A	A	A	A
Exxon Turbo Oil 2380	(3)	A	X	F	X	A	A	A
Exxon Univolt 60, N61	(3)	A	F	A	X	A	A	A
Finke aviation HY-HE 46	A(3)	A(14)	-	-	-	A	A	A
Formaldehyde	X	X	X	A	A	X	F	A
Formic Acid	X	X	X	X	A	X	(7)	X
Fragol Hydraulic TR 46	A(4)	F(14)	-	-	-	A	A	A
Fragol Hydraulik HE 46	(3)	F(14)	-	-	-	A	A	A
Freons see refrigerants	-	-	-	-	-	-	-	-
Fuchs Plantosyn 3268 ECO	F(4)	F(14)	-	-	-	A	A	A
Fuchs Plantosyn 3268	(3)	A(4)	-	-	-	A	A	A
Fuel Oil	(3)	A	F	A	X	A	A	A
Fyre-Safe 120C, 126, 155, 1090E, 1150, 1220, 1300E	X	X	X	X	A	A	A	A
Fyre-Safe 200C, 225, 211	(3)	A	F	A	A	A	A	A
Fyre-Safe W/O	A	A	A	A	X	A	A	A
Fyrguard 150, 150-M, 200	A	A	A	A	A	A	A	A
Fyrquel 60, 90, 150, 220, 300, 550, 1000	X	X	X	X	A	A	A	A
Fyrquel EHC, GT, LT, VPF	X	X	X	X	A	A	A	A
Fyrtek MF, 215, 290, 295	X	X	X	X	X	A	A	A
Gasoline (2,12)	X	X	X	X	X	A	A	A
Glue.	F	F	F	-	X	A	F	A
Glycerine, Glycerol	A	A	A	A	A	A	F	A
Grease	A	A	A	A	X	A	A	A
Gulf-FR Fluid P37, P40, P43, P45, P48	X	X	X	F	A	A	A	A
H-515 (NATO)	A	A	A	-	X	A	A	A
Halon 1211, 1301	F	F	F	F	-	A	A	A
Helium Gas	X	X	X	X	X	A	A	A
Heptane	F(3)	F	X	A	X	A	A	A
Hexane	F(3)	F	X	A	X	A	A	A
Houghto-Safe 1055, 1110, 1115, 1120, 1130 (9)	X	X	X	X	A	A	A	A
Houghto-Safe 271 to 640	(3)	A	F	F	A	A	A	A
Houghto-Safe 419R Deicer Fluid	(3)	A	A	-	-	A	A	A
Houghto-Safe 5046, 5046W, 5047-F	A	A	A	A	X	A	A	A
HP 100C (Jack hammer oil)	(3)	A	F	A	X	A	A	A
Hydrochloric Acid	X	X	X	X	X	X	(7)	X
Hydrofluoric Acid	X	X	X	X	X	X	(7)	X
Hydrogen Gas (2,15)	X	X	X	X	X	A	A	A
Hydrogen Peroxide	X	X	X	F	X	X	X	(7)
Hydrogen Sulfide	X	X	X	X	A	X	X	(7)
Hydrolube	A	A	A	F	A	A	A	A
Hydrolubric 120-B, 141, 595	(3)	A	F	F	A	A	A	A
Hydrosafe Glycol 200	A	A	A	A	A	A	F	A
HyJet IV (9)	X	X	X	X	A	A	A	A
Isocyanates	F(3)	F	F	F	X	A	-	A
Isooctane	F(3)	F	X	A	X	A	A	A
Isopar H	X	X	X	X	X	A	A	A
Isopropyl Alcohol	F	F	F	F	F	F	A	A
JP3 and JP4	(3)	A	X	-	X	A	A	A
Kaeser 150P, 175P, 325R, 687R	X	X	X	F	X	A	A	A
Kerosene (2, 3, 15)	(3)	A	X	F	X	A	A	A
Lacquer	X	X	X	F	X	X	A	A
Lacquer Solvents	X	X	X	F	X	X	A	A
Lactic Acids	X	X	X	X	X	X	(7)	A
Lindol HF	X	X	X	F	A	A	A	A
Linseed Oil	A	A	A	A	A	A	A	A
LP-Gas (2)	(2)	(2)	X	X	X	A	A	A
Magnesium Chloride	A	A	A	A	A	X	(7)	X
Magnesium Hydroxide	F	F	F	A	A	F	F	F
Magnesium Sulfate	A	A	A	A	A	A	F	A
Mercaptans	X	X	X	X	X	-	-	-
Methane	(2,3)	A	F	F	X	A	A	A
Methanol	F	F	F	F	F	F	A	A
Methyl Alcohol	F	F	F	F	F	F	A	A
Methyl Chloride	X	X	X	F	X	A	A	A
Methyl Ethyl Ketone (MEK)	X	X	X	F	X	F	A	A
Methyl Isopropyl-Ketone (15)	X	X	X	X	X	F	A	A
MIL-B-46176A	X	X	X	X	X	X	X	X
MIL-H-46170	F(3)	F	X	F	X	A	A	A
MIL-H-5606	(3)	A	F	A	X	A	A	A
MIL-H-6083	(3)	A	F	A	X	A	A	A
MIL-H-7083	(3)	A	F	A	X	A	A	A
MIL-H-83282	(3)	A	F	A	X	A	A	A
MIL-L-2104, 2104B	(3)	A	F	A	X	A	A	A
MIL-L-23699	F(3)	F	X	A	X	A	A	A
MIL-L-7808	(3,6)	A	F	-	X	A	A	A
Mine Guard FR	A	A	A	-	A	A	A	A
Mineral Oil	A	A	A	F	X	A	A	A
Mineral Spirits	(10)	(10)	(10)	(10)	X	A	A	A
Mobil Aero HFE	(3)	A	F	F	X	A	A	A
Mobil DTE 11M, 13M, 15M, 16M, 18M, 19M	(3)	A	F	A	X	A	A	A
Mobil DTE 22, 24, 25, 26	(3)	A	F	A	X	A	A	A
Mobil EAL 224H	(3)	A	X	X	-	A	A	A
Mobil EAL Syndraulik 46	F(4)	A(14)	-	-	-	A	A	A
Mobil Glygoyle 11, 22, 30, 80	A	A	A	-	X	A	A	A

Push-Lok® Hoses and fittings

Medium	I	II	III	IV	V	STEEL	BRASS	SS
Mobil HFA	(3)	A	F	A	X	A	A	A
Mobil Jet 2	F(3)	X	X	A	X	A	A	A
Mobil Nyvac 20, 30, 200, FR	(3)	A	F	F	A	A	A	A
Mobil Rarus 824, 826, 827	X	X	X	F	X	A	A	A
Mobil SHC 600 Series	(3)	A	F	A	X	A	A	A
Mobil SHC 800 Series	(3)	A	F	A	X	A	A	A
Mobil SHL 624	(3)	A	-	A	X	A	A	A
Mobil Vactra Oil	A	A	A	F	X	A	A	A
Mobil XRL 1618B	X	X	X	X	A	A	A	A
Mobilfluid 423	(3)	A	F	A	X	A	A	A
Mobilgear SHC 150, 220, 320, 460, 680	F(3)	X	F	F	X	A	A	A
Mobilrama 525	A	A	A	F	X	A	A	A
Molub-Alloy 890	X	X	X	F	X	A	A	A
Moly Lube „HF“ 902	F(3)	F	F	F	X	A	A	A
Monolec 6120 Hydraulic Oil	A	A	A	A	X	A	A	A
Morpholine (pure additive)	X	X	X	X	X	X	X	A
Naptha	F(3)	F	X	A	X	A	A	A
Napthalene	X	X	X	F	X	A	A	A
Natural Gas (2)	(2)	(2)	X	X	X	A	A	A
Nitric Acid	X	X	X	X	X	X	X	(7)
Nitrobenzene	X	X	X	F	X	X	X	(7)
Nitrogen	F(1)	F(1)	F(1)	F(1)	F(1)	A	A	A
Nuto H 46, 68	A	A	A	A	X	A	A	A
Nyvac 20, 30, 200, FR	(3)	A	F	F	A	A	A	A
Nyvac Light	X	X	X	-	A	A	A	A
Oil Synthetic Blends	X	X	X	X	X	A	A	A
Oxygen (2,15)	X	X	X	X	X	X	A	A
Ozone	F	F	F	-	A	A	A	A
Panolin HLP synth 46	(3)	A(4)	-	-	-	A	A	A
Perchloroethylene	X	X	X	X	X	F	X	A
Petroleum Ether	F(3)	F	X	F	X	A	A	A
Petroleum Oils	A	A	A	A	X	A	A	A
Phenol (Carbolic Acid)	X	X	X	A	X	X	F	A
Phosphate Ester Blends	X	X	X	X	X	A	A	A
Phosphate Esters (9)	X	X	X	X	A	A	A	A
Phosphoric Acid	X	X	X	X	X	X	X	(7)
Polyalkylene Glycol	F	F	A	-	X	A	A	A
Polyol Ester	(11)	F	X	X	X	A	A	A
Potassium Chloride	A	A	A	A	A	X	F	(7)
Potassium Hydroxide	X	X	X	F	A	(7)	X	A
Potassium Sulfate	A	A	A	A	A	A	A	A
Propane	(2)	(2)	X	X	X	A	A	A
Propylene Glycol	(3)	A	F	A	A	F	F	F
Pydraul 60, 150, 625, F9 (9)	X	X	X	X	A	A	A	A
Pydraul 90, 135, 230, 312, 540, MC (9)	X	X	X	X	F	A	A	A
Pydraul A-200	X	X	X	F	X	A	A	A
Pyro Gard 43, 230, 630 (9)	X	X	X	F	X	A	A	A
Pyro Gard C, D, R, 40S, 40W	(3)	A	F	F	A	A	A	A
Pyro Guard 53, 55, 51, 42 (9)	X	X	X	X	A	A	A	A
Quintolubric 700	A	A	A	A	A	A	F	A
Quintolubric 822, 833	(11)	(11)	X	X	X	A	A	A
Quintolubric 957, 958	(3)	A	F	F	A	A	A	A
Refrigerant Freon 113, 114 (5)	X	X	X	X	X	A	A	A
Refrigerant Freon 12 (5)	X	X	X	X	X	A	A	A
Refrigerant Freon 22 (5)	X	X	X	X	X	A	A	A
Refrigerant Freon 502 (5)	X	X	X	X	X	A	A	A
Refrigerant HFC134A (5)	X	X	X	X	X	A	A	A
RTV Silicone Adhesive Sealants (15)	X	X	X	X	X	A	A	A
Safco-Safe T10, T20	A	-	-	-	A	F	F	A
Safety-Kleen ISO 32, 46, 68 hydraulic oil	(3)	A	F	-	X	A	A	A
Safety-Kleen Solvent	(10)	(10)	(10)	(10)	X	A	A	A
Santoflex 13	F	F	F	-	F	A	A	A
Santosafe 300	X	X	X	-	X	A	A	A
Santosafe W/G 15 to 30	A	-	-	A	A	A	A	A
Sea Water	F	F	F	F	A	X	F	(7)
Sewage	F(3)	F	F	A	F	(7)	(7)	(7)
Shell 140 Solvent	(10)	(10)	(10)	(10)	X	A	A	A
Shell Clavus HFC 68	X	X	X	X	X	A	A	A
Shell Comptella Oil	F(3)	F	F	A	X	A	A	A
Shell Comptella Oil S 46, 68	F(3)	F	F	A	X	A	A	A
Shell Comptella Oil SM	F(3)	F	F	A	X	A	A	A
Shell Diala A, (R) Oil AX	(3)	A	F	F	X	A	A	A
Shell FRM	A	-	-	-	X	A	A	A
Shell IRUS 902, 905	A	A	A	-	A	A	A	A
Shell naturelle HFE 46	F(4)	A(14)	-	-	-	A	A	A
Shell Pella-A	A	A	A	A	X	A	A	A
Shell Tellus	(3)	A	F	A	X	A	A	A
Shell Thermia Oil C	A	A	A	A	X	A	A	A
Shell Turbo R	F(3)	F	X	A	X	A	A	A
SHF 220, 300, 450	(11)	(11)	X	X	X	A	A	A
Silicate Esters	A	F	A	A	X	A	A	A
Silicone Oils	A	A	A	-	-	A	A	A
Skydrol 500B-4, LD-4	X	X	X	X	A(8)	A	A	A
Soap Solutions	F(3)	F	X	F	A	A	A	A
Soda Ash, Sodium Carbonate	A	A	A	A	A	A	F	A
Sodium Bisulfate	F	F	F	A	A	F	A	F
Sodium Chloride	F	F	F	A	A	X	F	A

Push-Lok® Hoses and fittings

Medium	I	II	III	IV	V	STEEL	BRASS	SS
Sodium Hydroxide	X	X	X	A	A	A	X	A
Sodium Hypochlorite	F	F	F	X	F	X	X	X
Sodium Nitrate	F	F	F	A	A	A	(7)	A
Sodium Peroxide	X	X	X	X	A	X	X	A
Sodium Silicate	A	A	A	A	A	A	A	A
Sodium Sulfate	A	A	A	A	A	A	A	A
Soybean Oil	(3)	A	F	A	A	A	A	A
Steam	X	X	X	X	X	F	A	A
Stoddard Solvent	(10)	(10)	(10)	(10)	X	A	A	A
Sulfur Chloride	X	X	X	F	X	(7)	X	(7)
Sulfur Dioxide	X	X	X	X	F	X	(7)	F
Sulfur Trioxide	X	X	X	F	F	X	X	X
Sulfuric Acid	F(7)	F	F	X	F(7)	(7)	X	(7)
Tannic Acid	(3)	A	F	F	A	X	(7)	X
Tar	X	F	F	F	X	X	(7)	A
Tebiol Esterhyd HE 46	F(4)	F(14)	-	-	-	A	A	A
Tellus (Shell)	(3)	A	F	A	X	A	A	A
Texaco 760 Hydrafluid	A	-	-	-	X	A	A	A
Texaco 766, 763 (200 - 300)	A	-	-	-	A	F	F	A
Texaco A-Z Oil	A	A	A	F	X	A	A	A
Texaco Way Lubricant 68	A	A	A	A	X	A	A	A
Toluene, Toluol	X	X	X	F	X	A	A	A
Transmission Oil	A	A	A	A	X	A	A	A
Tribol 1440	F(3)	F	X	X	X	A	A	A
Trichloroethylene	X	X	X	F	X	X	A	A
Trim-Sol	(3)	A	F	F	X	A	A	A
Turpentine	X	X	X	F	X	A	A	A
Ucon Hydrolubes	(3)	A	F	F	A	A	A	A
Univis J26	A	A	-	A	X	A	A	A
Unleaded Gasoline (2,12)	X	X	X	X	X	A	A	A
Urea	F	F	F	A	F	F	-	F
Urethane Formulations	A	A	A	A	-	A	A	A
Varnish	X	X	X	F	X	F	F	A
Varsol	F(3)	F	(10)	(10)	X	A	A	A
Versilube F44, F55	A	A	-	A	-	A	A	A
Vinegar	X	X	X	F	A	(7)	X	A
Volt Esso 35	A	A	A	A	X	A	A	A
Water	A	A	F	A	A	F	A	A
Water / Glycols	(3)	A	A	A	A	A	F	A
Xylene, Xylol (15)	X	X	X	X	X	A	A	A
Zerol 150	A	A	A	A	X	A	A	A
Zinc Chloride	A	A	A	X	A	X	X	F
Zinc Sulfate	A	A	A	X)	A	X	A	A

Resistant rating key: A = Preferred F = Fair X = Unsuitable -- = No recommendation

- | | |
|--|------------------------------|
| (1) Hose must be pin pricked | Column I |
| (2) Legal and insurance regulations must be considered | 801, 821, 821FR, 837BM, |
| (3) hoses in column 2 are recommended | |
| (4) Maximum 158 °F (70 °C) | Column II |
| (5) hose 235 and 285 are recommended for refrigerants | 831 |
| (6) Maximum 185 °F (85 °C) | |
| (7) Satisfactory at some concentrations and temperatures, unsatisfactory at others | Column III |
| (8) Some discoloration of fluid may occur without damage to fluid properties | 77C, 78C |
| (9) For phosphate ester fluids use Column V, 235, 285 hoses | Column IV |
| (10) Acceptable for flushing hose assemblies | 206, 213, 266, 296, 636, 836 |
| (11) Use 381, 481, 772, or 831 | |
| (12) 221FR hose recommended | Column V |
| (13) For dry air applications hoses from column 2, 4, 5 and 235 is recommended. | 804 |
| (14) Maximum 212 °F (100 °C) | |
| (15) hoses 235 and 285 are recommended | |

Hose selection by medium and hose type

This hose compatibility chart is a ready reference of Parker hose adaptability with various media. It is intended as a guide to chemical compatibility with the internal fluid and assembly lubricant applied internally. While all listings shown reflect known usage or authoritative sources, other factors may in some cases render them invalid. Final hose selection depends also upon pressure, fluid temperature, ambient temperature, and special requirements or variations which may not be known by Parker Hannifin. Legal and other regulations applicable to footnotes (2), (3) and (4) must be followed with particular care. Where an external compatibility problem may occur or for fluids not listed, contact your Parker Hannifin field representative.