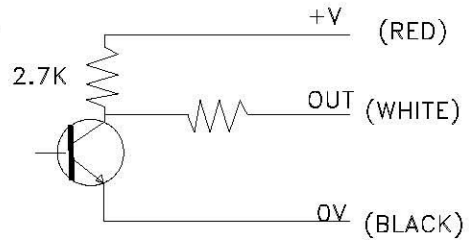


◆ PL TYPE LENGTH SENSOR CONVERSION BRACKET

1. This device can measure the length of cloth , paper , plastics.
2. It is long life and stable because of photo electric output.
3. Using Nickel-Zinc alloy , it is weightily and doesn't slide.
4. The wheel latex adopts the import tire latex , so it is durable.

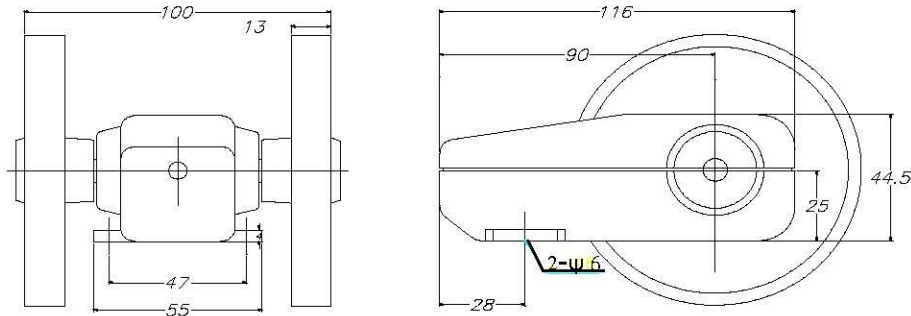


◆ Specification

※1Y=1 Yard , and it is NPN output

Item No	UNIT	Output Type	Output Impedance	Current consumption	Output Current	Power Supply
PL-S1M (Y)	1m(1Y)	Single Phase	2.7K	25mA	150mA	12-24V
PL-S2M (Y)	10cm(0.1Y)	Single Phase	2.7K	35mA	100mA	12-24V
PL-S3M (Y)	1cm(0.01Y)	Single Phase	2.7K	35mA	100mA	12-24V
PL-S4M	1mm	Single Phase	2.7K	35mA	100mA	12-24V
PL-D2M (Y)	10cm(0.1Y)	AB Phase 90 Quadrature	2.7K	70mA	100mA	12-24V
PL-D3M (Y)	1cm(0.01Y)	AB Phase 90 Quadrature	2.7K	70mA	100mA	12-24V

◆ External Dimension



Unit: mm

※The British system : The diameter of wheel is 87.3mm. (the circumference of a circle is equal to 0.3 yard.)

※The decimal system : The diameter of wheel is 95.5.(The circumference of a circle is equal to 0.3 meter.)