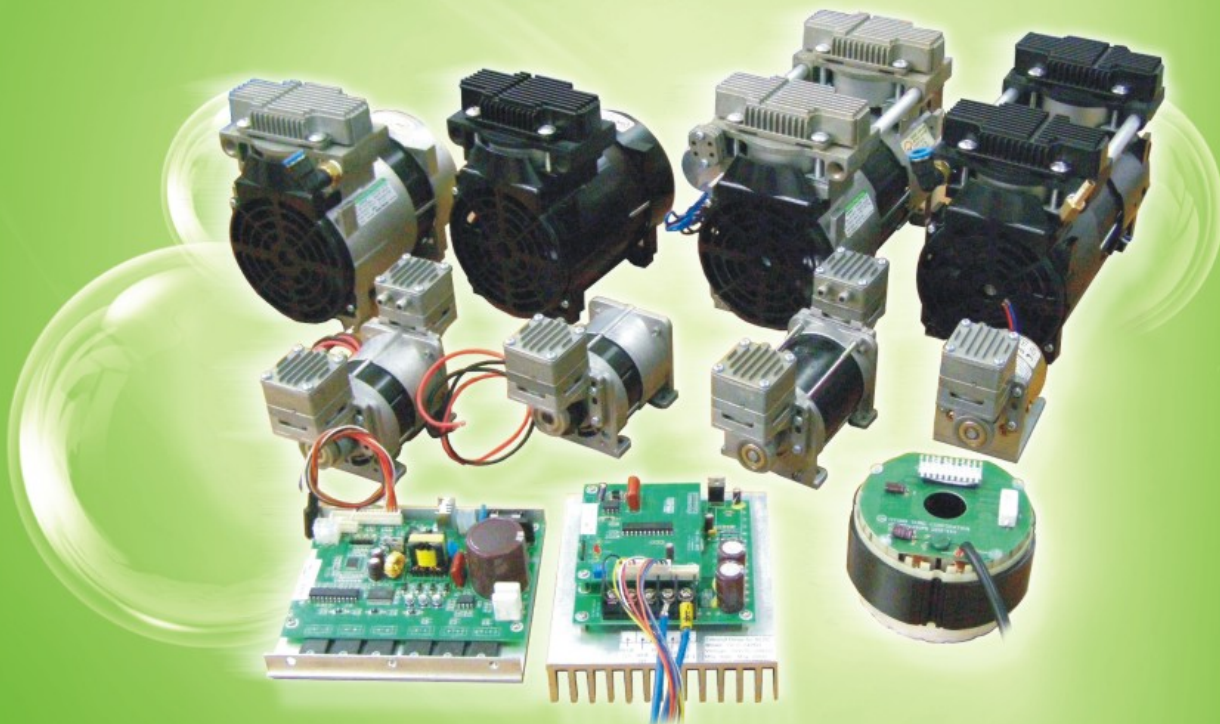


## **OIL-Less Rocking Piston Pumps for *better Environment***

We try to serve you with high quality & performance.



### **Vacuum Pumps & Air Compressor Series DC & BLDC (Brush-less DC) Version**

 **G&M Tech Inc.**  
**(주) 지엔엠텍**

# OIL-Less Rocking Piston Pumps for better Environment

We try to serve you with high quality & performance.

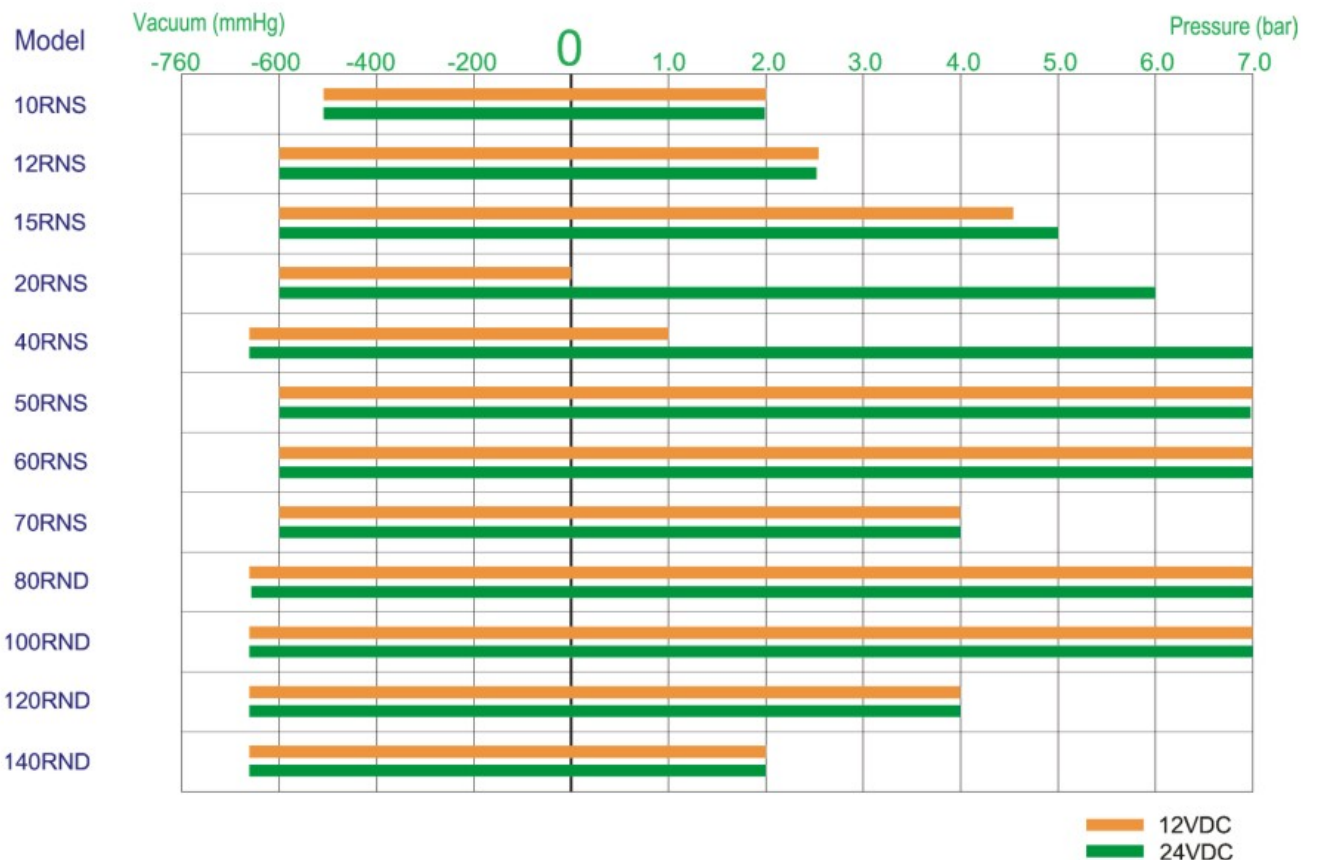
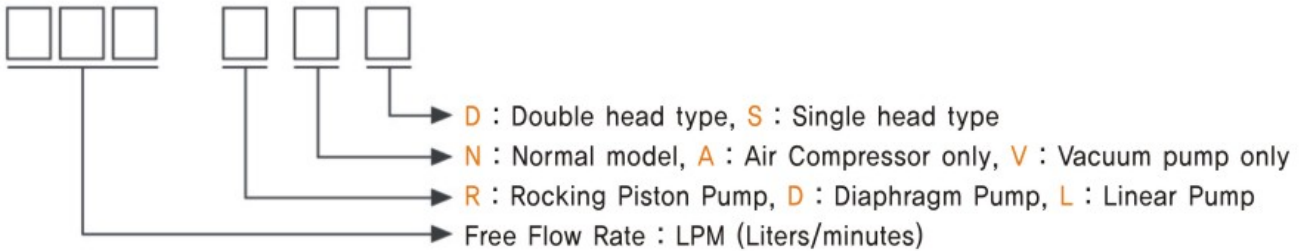
## Features ;

- OIL-Less operation & permanently lubricated bearings
- Stainless steel valves and AL Die Casting body
- Completely OIL-Free
- Compact design & Light weight
- Low noise & vibration, leak tight
- Distinguished long life & easy to maintain
- PTFE (Teflon) Coating Model available
- PWM Control type Driver available

## Application ;

- Fuel Cell system
- EV (Electric Vehicle)
- DPF system (Diesel Engine)
- Air suspension
- Chip mounter / Semi conductor processor
- Anti pollution system
- Skin Care Equipment / Vacuum massager
- Medical / Dental Equipment

## Selection Guide of Model





## Mini Single Head Series (Brush Type DC)

Model name	10RNS		12RNS		15RNS		20RNS	
Voltage	12VDC	24VDC	12VDC	24VDC	12VDC	24VDC	12VDC	24VDC
Rated current	1.5 A	0.8 A	2.4 A	1.2 A	3.1 A	1.5 A	3.1 A	2 A
Free flow rate	10 Lpm		12 Lpm		15 Lpm		20 Lpm	
Max. Vacuum	490 mmHg		540 mmHg		600 mmHg		650 mmHg	
Max. Pressure	2 bar		2.5 bar		4.5 bar		N.A	6 bar
Connection type	Tubing type (Tube size : Inner diameter must be less than 8mm)							
Dimensions	127(L) x 105(H) x 60(W) mm							
Weight	0.8 Kg							
Motor Type	DC Motor, Brush Type (P.M), 2,500 RPM, INS. CLASS : E							
Ambient Temperature	Min, 0 °C ~ Max, 40 °C							

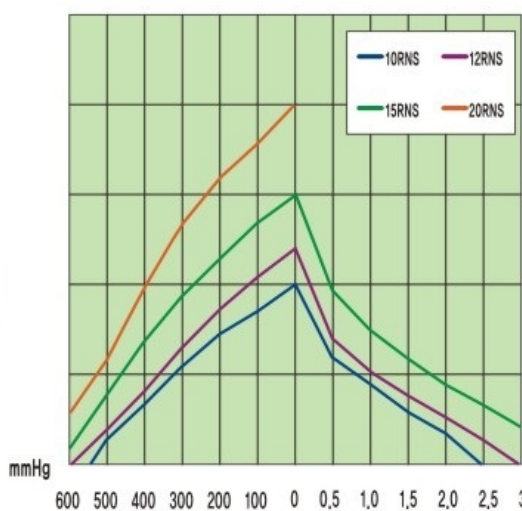
\* Please Contact with factory for information of Double Head type.



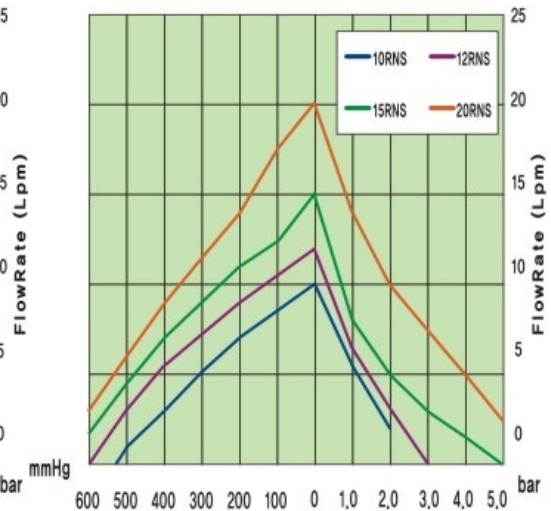
Single Head type



Double Head type



Voltage : 12VDC



Voltage : 24VDC

No.	Description	Material	Q'ty	Remarks
1	Motor Ass'y		1	DC Motor
2	Pump Body	ADC 12	1	
3	Set Screw		1	M5
4	Eccentric		1	
5	Bearing		1	608ZZ
6	Rod	ADC 12	1	
7	Teflon Cup	PTFE	1	Yellow
8	Rod Cap	ADC 12	1	
9	Rod Screw	STS	1	M4
10	Body Screw		4	M4
11	Cylinder	AL6061	1	Anodizing
12	O-Ring	Silicone	1	
13	V/V Plate	ADC 12	1	
14	Valve washer	STS	1	
15	Valve	Silicone	1	White
16	Head	ADC 12	1	
17	Rec-Ring	Silicone	1	Red
18	Head Cap	ADC 12	1	
19	Head Screw		4	M4

\* DC Motor : Brush Type  
Applied Model : 10, 12, 15, 20RNS(RVS, RAS)

# OIL-Less Rocking Piston Pumps for better Environment

We try to serve you with high quality & performance.

## Mini Single Head Series (Brush-less Type DC)

Model name	10RNS		12RNS		15RNS		20RNS	
Voltage	12VDC	24VDC	12VDC	24VDC	12VDC	24VDC	12VDC	24VDC
Rated current	1,7 A	1 A	2,5 A	1,2 A	3,1 A	1,6 A	3,1 A	2,1 A
Driver type	Internal							
Free flow rate	10 Lpm		12 Lpm		15 Lpm		20 Lpm	
Max. Vacuum	490 mmHg		540 mmHg		600 mmHg		650 mmHg	
Max. Pressure	2 bar		2,5 bar		1 bar	4,5 bar	N,A	6 bar
Connection type	Tubing type (Tube size : Inner diameter must be less than 8mm)							
Dimensions	124(L) x 106(H) x 74(W) mm							
Weight	0,8 Kg							
Motor Type	DC Motor, Brush-less(BL) TYPE, 2,500RPM, INS. CLASS : E							
Ambient Temperature	Min. 0 °C ~ Max. 40 °C							

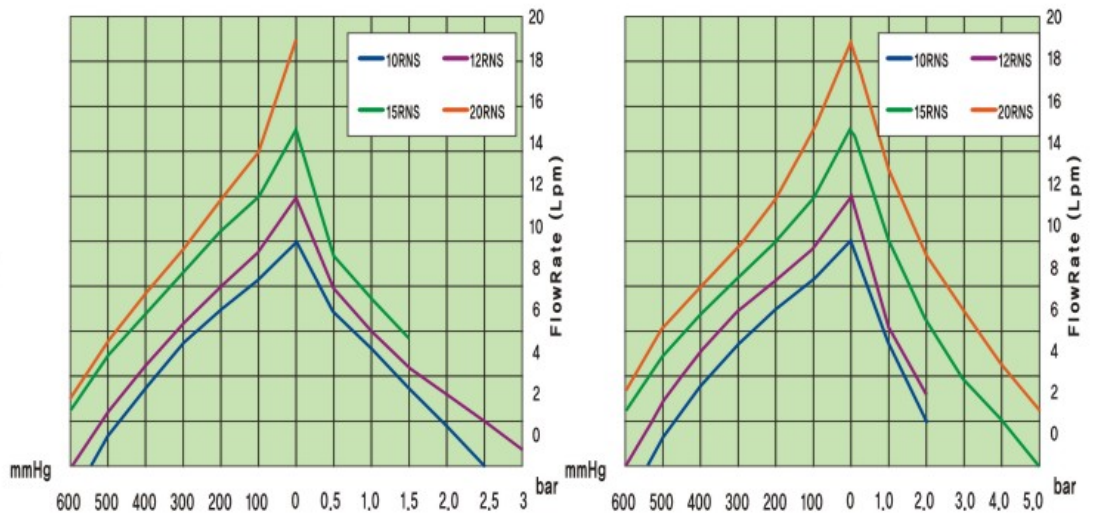
\* Please Contact with factory for information of Double Head type.



Single Head type

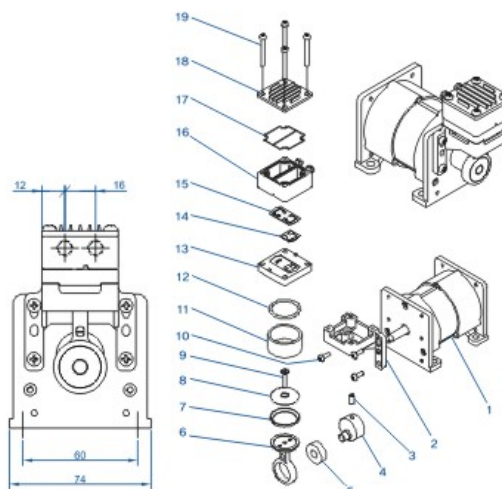
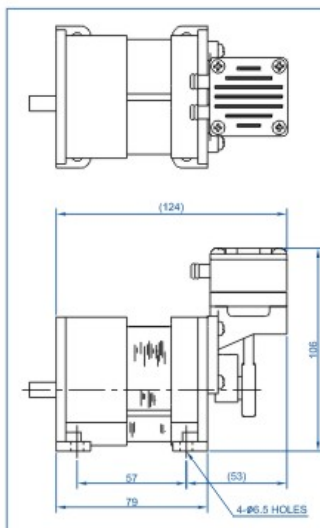


Double Head type



Voltage : 12VDC

Voltage : 24VDC



No.	Description	Material	Q'ty	Remarks
1	Motor (BLDC Version)		1	Brush-less
2	Pump Body	ADC 12	1	
3	Set Screw		1	M5
4	Eccentric		1	
5	Bearing		1	608ZZ
6	Rod	ADC 12	1	
7	Teflon Cup	PTFE	1	
8	Rod Cap	ADC 12	1	
9	Rod Screw	STS	1	M4
10	Body Screw		4	M4
11	Cylinder	AL6061	1	Anodizing
12	O-Ring	Silicone	1	
13	V/V Plate	ADC 12	1	
14	Valve washer	STS	1	
15	Valve	Silicone	1	White
16	Head	ADC 12	1	
17	Rec-Ring	Silicone	1	Red
18	Head Cap	ADC 12	1	
19	Head Screw		4	M4

\* BLDC MOTOR : INTERNAL DRIVER TYPE  
Applied Model : 10, 12, 15, 20RNS(RVS, RAS)

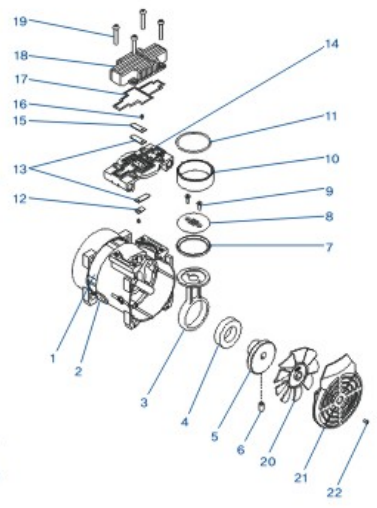
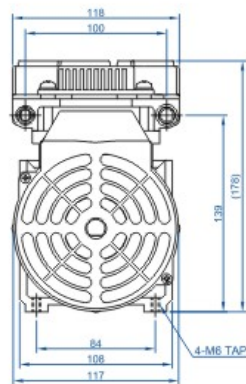
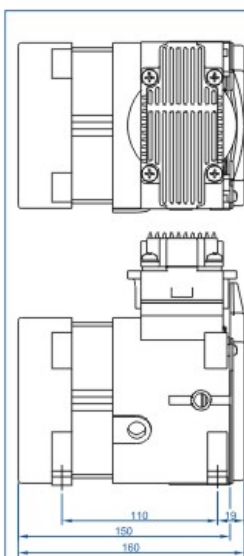
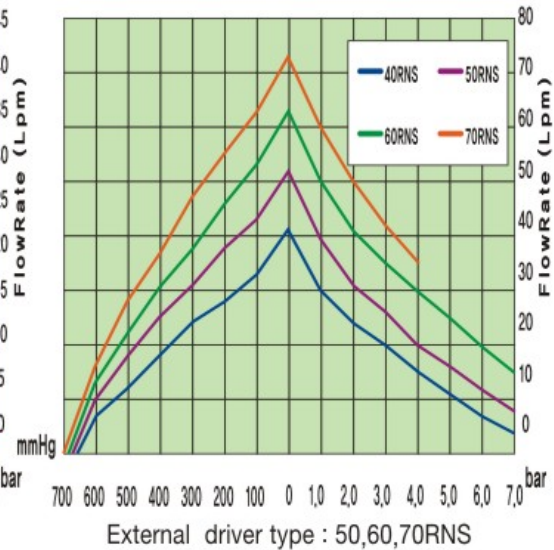
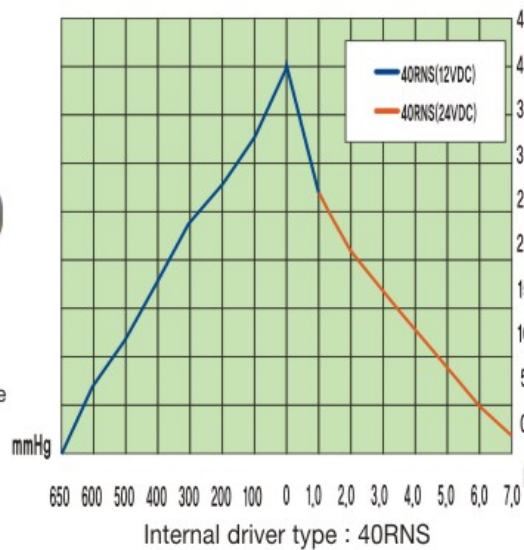


## Single Head Series (Brush-less Type DC)

Model name	40RNS		50RNS			60RNS			70RNS		
Voltage	12VDC	24VDC	12VDC	24VDC	220VAC	12VDC	24VDC	220VAC	12VDC	24VDC	220VAC
Rated current	6,5 A	5,5 A	19 A	8 A	2,5 A	23 A	9,5 A	3 A	25 A	11 A	3 A
Driver type	Internal		External								
			GED-2425D	GED-430A		GED-2425D	GED-430A		GED-2425D	GED-430A	
Free flow rate	~ 40 Lpm		~ 50 Lpm			~ 60 Lpm			~ 70 Lpm		
Max. Vacuum	650 mmHg		680 mmHg			690 mmHg			700 mmHg		
Max. Pressure	1,0 bar	7,0 bar	7,0 bar			7,0 bar			4,0 bar		
Connection type	R 1/4"										
Dimensions	160(L) x 178(H) x 117(W) mm										
Weight	3,8 Kg										
Motor Type	DC Motor, Brush-less(BL) TYPE, Ins. Class : E										
Ambient Temperature	Min. 0 °C ~ Max. 40 °C										



BLDC - Single head type



No.	Description	Material	Q'ty	Remarks
1	Motor (BLDC Version)		1	110 Core
2	Wire Holder	NBR	1	
3	Rod	ADC 12	1	
4	Bearing		1	6006ZZ
5	Eccentric		1	
6	Set Screw		1	M8
7	Teflon Cup	PTFE	1	
8	Rod Cap	ADC 12	1	
9	Rod Screw	STS	2	M4
10	Cylinder	AL6061	1	Anodizing
11	O-Ring	Silicone	1	
12	Valve washer	STS	1	Small
13	Valve	STS	2	
14	Valve Plate	ADC 12	1	
15	Valve washer	STS	1	Large
16	Valve Screw		2	M4
17	Rec-Ring	Silicone	1	Red
18	Head Cap	ADC 12	1	
19	Head Screw		4	M6
20	Fan	P,P	1	Black
21	Fan Cover	P,C	1	Black
22	F/C Screw		2	M4

Applied Model : 40, 50, 60, 70RNS(RVS, RAS)

# OIL-Less Rocking Piston Pumps for better Environment

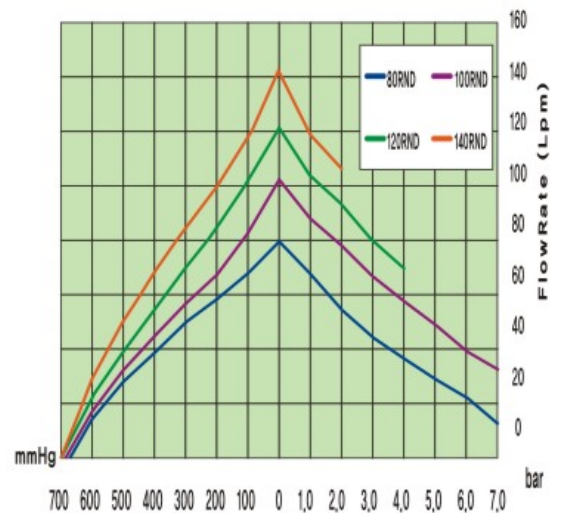
We try to serve you with high quality & performance.

## Double Head Series (Brush-less Type DC)

Model name	80RND			100RND			120RND			140RND		
Voltage	12VDC	24VDC	220VAC	12VDC	24VDC	220VAC	12VDC	24VDC	220VAC	12VDC	24VDC	220VAC
Rated current	30 A	15 A	2 A	30 A	19 A	2.5 A	30 A	22 A	3 A	30 A	22 A	3 A
Driver type	External											
	GED-2425D	GED-430A		GED-2425D	GED-430A		GED-2425D	GED-430A		GED-2425D	GED-430A	
Free flow rate	~ 80 Lpm			~ 100 Lpm			~ 120 Lpm			~ 140 Lpm		
Max. Vacuum	650 mmHg			680 mmHg			690 mmHg			700 mmHg		
Max. Pressure	7.0 bar			7.0 bar			4.0 bar			2.0 bar		
Connection type	R 1/4"											
Dimensions	240(L) x 118(W) x 178(H) mm											
Weight	7.1 Kg											
Motor Type	DC Motor, Brush-less type											
Ambient Temperature	Min. 0 °C ~ Max. 40 °C											



BLDC - Double head type





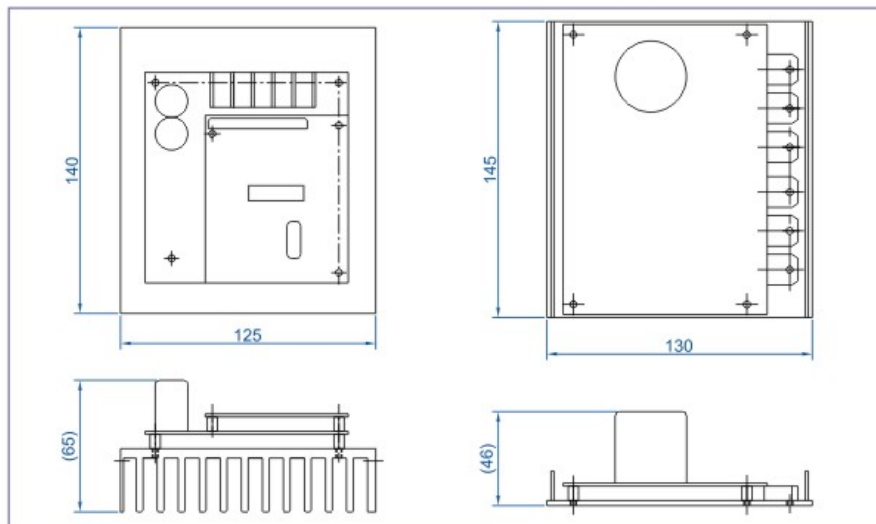
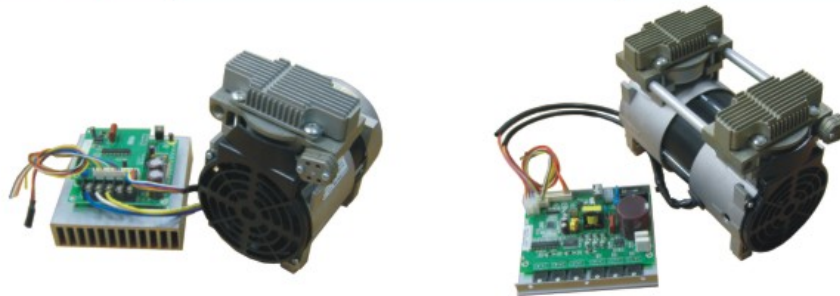
No.	Description	Material	Q'ty	Remarks
1	Motor (BLDC Version)		1	110 Core
2	Wire Holder	NBR	1	
3	Rod	ADC 12	2	
4	Bearing		2	6006ZZ
5	Eccentric		2	
6	Set Screw		2	M8
7	Teflon Cup	PTFE	2	
8	Rod Cap	ADC 12	2	
9	Rod Screw	STS	4	M4
10	Cylinder	AL6061	2	Anodizing
11	O-Ring	Silicone	2	
12	Valve washer	STS	2	Small
13	Valve	STS	2	
14	Valve Plate	ADC 12	2	
15	Valve washer	STS	2	Large
16	Valve Screw		4	M4
17	Rec-Ring	Silicone	2	Red
18	Head Cap	ADC 12	2	
19	Head Screw		8	M6
20	O-Ring	Silicone	8	Red
21	Conn. Pipe	AL6063	2	
22	Fan	P,P	2	Black
23	Fan Cover	P,C	2	Black
24	F/C Screw		4	M4

Applied Model : 80, 100, 120, 140RND(RVD)



## External driver for BLDC pumps series

	GED-2425D	GED-430A
Model name		
Control Type	MOSFETs, PWM switching Control	
Applied motor	3 Phases, BLDC (Brush-less) Motor	
Input Voltage	10VDC~30VDC	90VAC~240VAC
Input Current	30A Max,	5A Max,
Capacity	500W	430W
LED lamp	Power, Alarm, Fault	
Features	Current limit, Soft Start, Closed loop RPM control	
	PWM signal / Potentiometer to control speed	
	Hall sensor power provided, On/Off signal provided	
Range of RPM control	500 to 3000 RPM	500 to 3000 RPM
Dimensions	140(L) x 125(W) x 65(H) mm	145(L) x 130(W) x 46(H) mm
Weight	0.8 Kg	0.4 Kg
Temperature Limit	80 °C	80 °C
Operating Amb. Temp	0 ~ 60 °C	0 ~ 50 °C



DC External Driver

AC External Driver

## Available Accessories

### Mufflers and accessories



AL Die casting body muffler with filters  
Provided as a standard accessory.



Pressure Switch



Safety Valve



Other material & performance  
mufflers. Provided on request.



Rubber Foot



Spring Mount

### Core parts



Stainless steel valve



Piston Ring (Teflon)



Permanently lubricated bearings  
6203ZZ for motor shaft  
6006ZZ for eccentric



O-rings made by 100% of Silicone Rubber  
We never use gasket made by paper or asbestos



G&M Tech Inc.  
(주) 지엔엠텍

Room No.404, Daewoo FV, 1Cha, 16-25, 16<sup>th</sup> St,  
Dongbaekjungang Rd, Giheung-Gu, Yongin-City, 446-916, Korea  
TEL : +82-31-459-8221 FAX : +82-31-459-8611  
Home Page : <http://gnmtechinc.en.ec21.com>  
E-MAIL : [info@gnmtechinc.com](mailto:info@gnmtechinc.com)

### Distributor

To improve, the specifications & design on catalog can be changed without notice.  
For OEM specifications, please come in contact with factory.