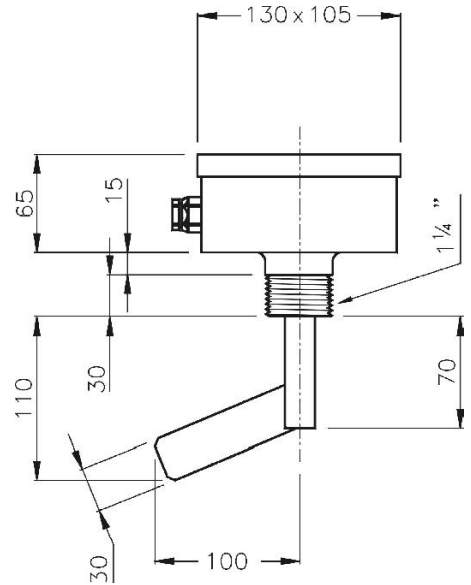
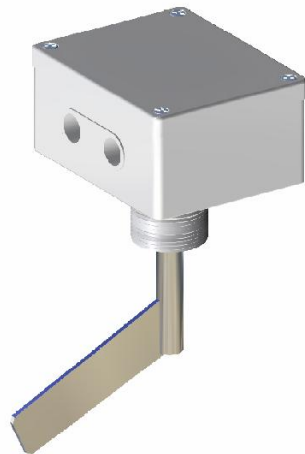


## CNPR-N

### LEVEL SWITCH BY ROTARY PADDLE



Function	Level control in powdery products, granulates and materials in bulk with a maximum grain of 15 mm.
Operating principle	It is based in a synchronous motor reducer of slow speed which makes the paddle turning continuously. When the product reaches the paddle a spin resistance is produced and the micro-switch operates. When the paddle gets free of product, the motor reducer recovers the spin speed and releases the micro-switch.
Body and cover	Reinforced ABS.
Paddles and axis	SS AISI303 (1.4305).
Process connection	By flange or screw 1"1/4 G
Motor reducer	3 VA 50 Hz. 230 VAC 5 RPM
Micro-switch	SPDT (2A 250V)
Timing	2 s., off delay.
Operating temperature	-20..+60 °C
Pressure	-0,3..+0,5 kg/cm <sup>2</sup> .
Protection	IP 65
Cables input	Two PG11 threaded holes.
Weight	800 gr.
Installation	It must be installed in such a position that the product reach the paddle with no obstacles when the tank gets full. The paddle must become free when the product goes below it.
Warning	It is suggested to place a protective cover over the paddle if the product can fall on it.

## BARRA 25

Mounting flange

