

**Input data**

System of measurement		Metric
Input type		Coupling for electric motor
Input speed	[rpm]	1400
Output speed	[rpm]	35
Ratio (i=)		40
Frequency	[Hz]	50
Input options		IEC
Requested input power	[kW]	0.13
Service factor		1
Thermal power	[kW]	0.2

**Output data**
**Gear unit** X C 30 40 H14 63\_B14 B3 F1D

Type		X - Worm gearboxes
Input type		C
Size		30
Ratio (i=)		40
Input flange		B14
Mounting position		B3
Input speed	[rpm]	1400
Output speed	[rpm]	35
Rated output torque	[Nm]	20.93
Service Factor		1
Efficiency		0.59

**Gear unit configuration**

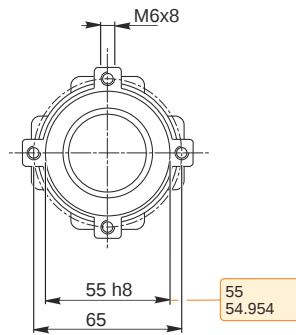
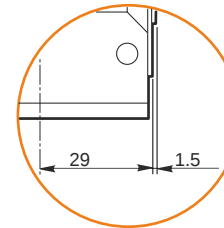
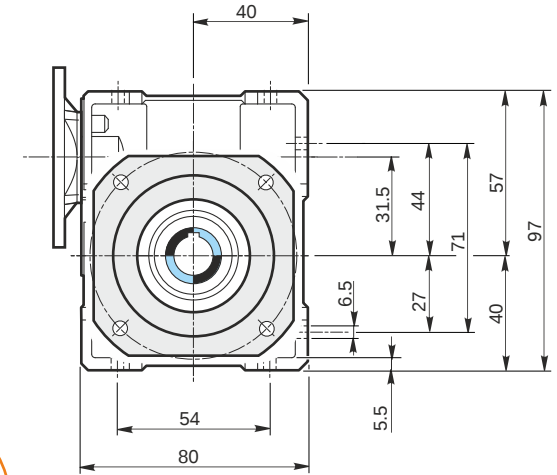
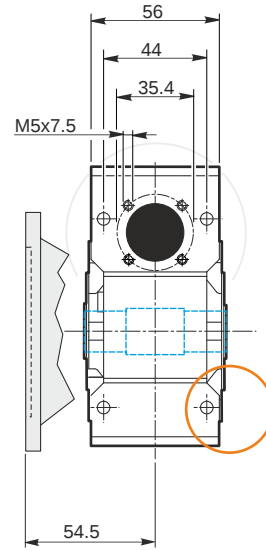
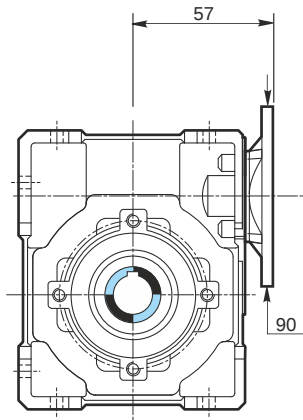
Output shaft		H14
Fixing		Output flange
Flange		F1D

**Output radial and axial loads**

Ball bearings output radial load	[N]	1050
Taper bearings output radial load	[N]	1800
Ball bearings output axial load	[N]	210

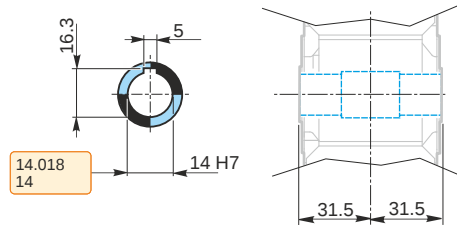
**Electric motor coupling**

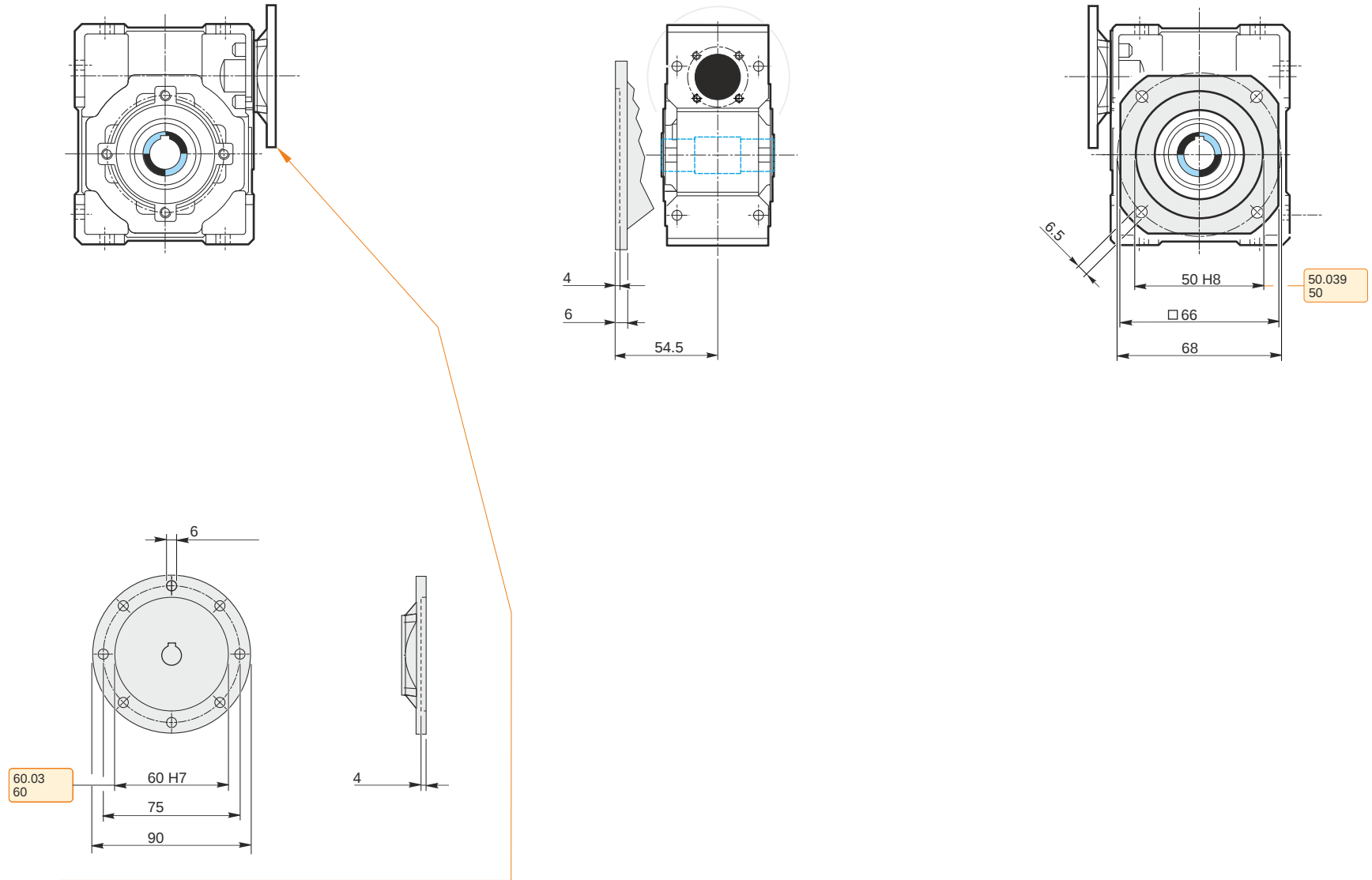
Size		63 A
Poles n.		4
Power	[kW]	0.13



55  
54.954

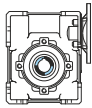
**Hollow output shaft**



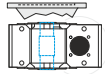


Mounting positions

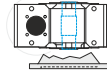
B3



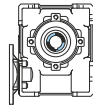
B6



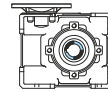
B7



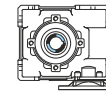
B8



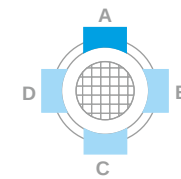
V5



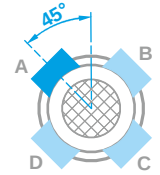
V6



Terminal board position



PM = 1



PM = 2

0.015

0.015

0.015

0.015

0.015

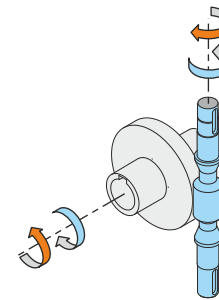
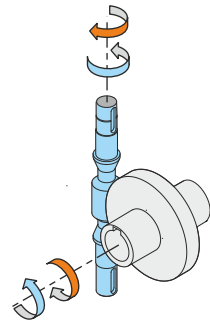
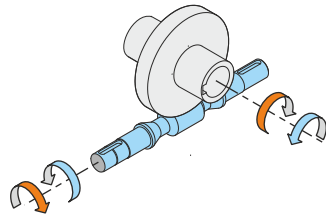
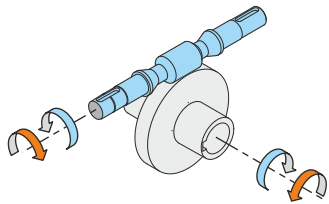
0.015



Oil quantity [litres]

Lubricant type: Long life synthetic oil ISO VG320

Direction of rotation



Weight (approximate values)

Gear unit [kg]

1.4