

CHART TEMPERATURE RECORDER RTD/Q and RTB/Q

GENERAL DESCRIPTION

The inert gas temperature recorders RTD/Q series and bimetallic RTB/Q are highly reliable, economic and with high accuracy. They are suitable to be installed in all industries where a constant control of the temperature is required and in particular, thanks to the total absence of mercury, in the food, pharmaceutical and refrigeration industries.

*In compliance with
European
Standards
UNI EN 12830 - 13190*

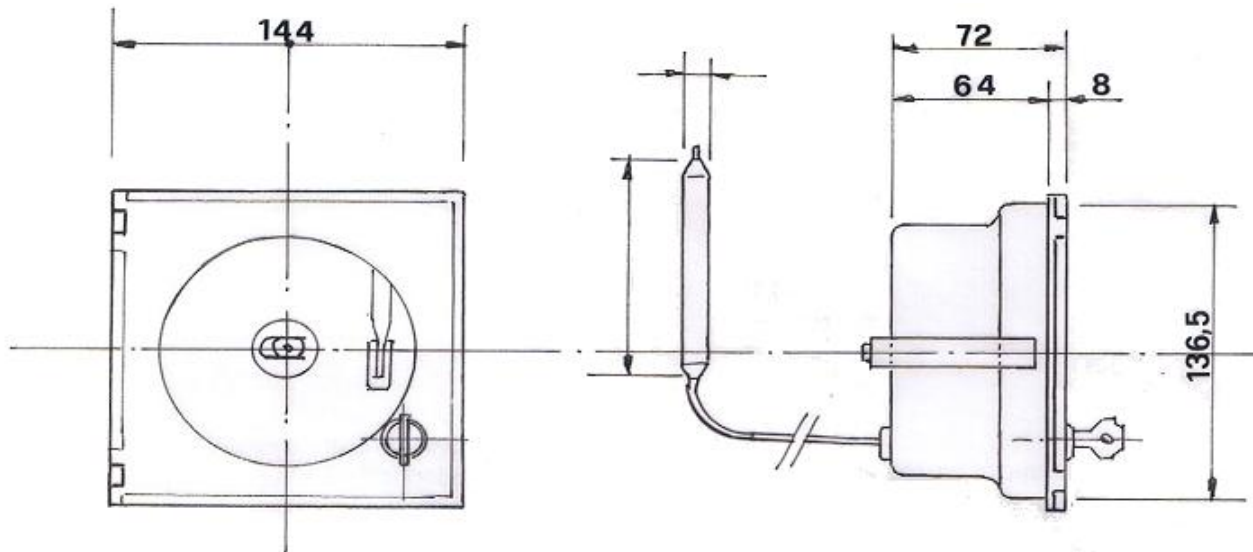


di Gemini G. e Gozzini Obizio snc

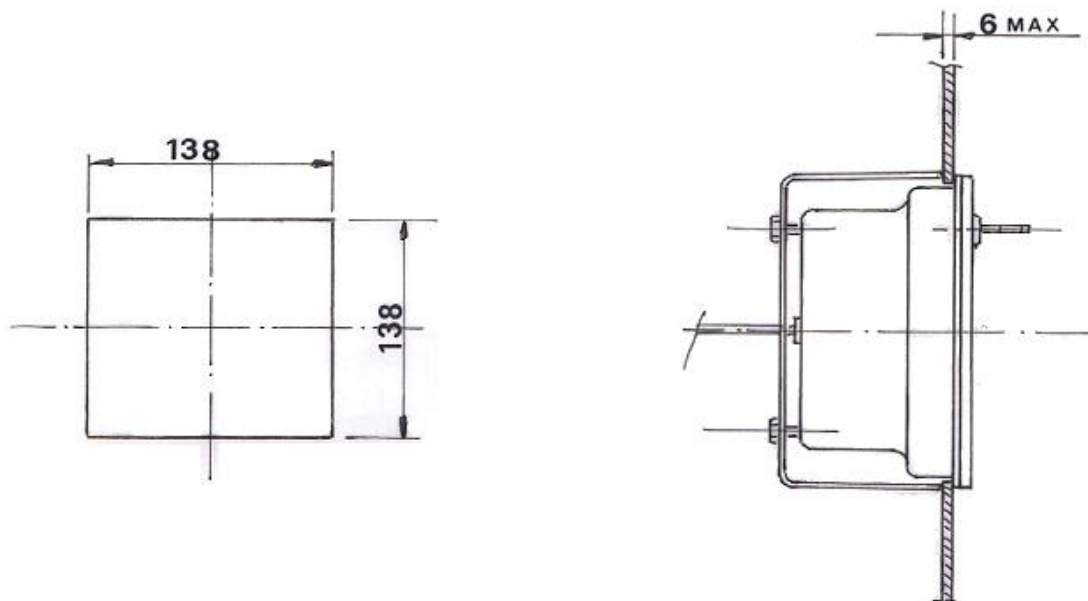
Via Ca' Treviglio n° 1/3 24040 Pontirolo Nuovo (Italy) Tel. 0363 880123 Fax. 0363 881133

Sito internet: www.termaf.it e-mail: info@termaf.it

DIMENSIONS



FLUSH MOUNTING SPECIFICATION mm



Available wall mount brackets on request.



di Gemini G. e Gozzini Obizio snc

Via Ca' Treviglio n° 1/3 24040 Pontirolo Nuovo (Italy) Tel. 0363 880123 Fax. 0363 881133

Sito internet: www.termaf.it e-mail: info@termaf.it

TECHNICAL SPECIFICATION

Case dimensions: 144 x 144 mm

Weight : about 750 gr.

Case material : polystyrene

Window: plexiglass 5 mm thickness

Pressure element: bulb with inert gas for RTD
bimetallic helix for RTB

Bulb : cylindrical Ø11 in AISI 304 st.st. or AISI 316 st.st. available in other sizes on request

Capillary : AISI 316 st.st. or copper braided - minimum length 1 m

Movement : AISI 304 st.st.

Writing Pen : continuous writing and easy to replace

Chart : circular Ø 125 mm, recording width 45 mm

Clockwork : quartz with battery 1,5 V LR3 "AAA" (charge lasts about 1 year)
rotations are available 24 or 168h clockwise and 168h counter-clockwise

Range scale : see table on page 4

Accuracy class: class 2 according to EN 13190

TECHNICAL SPECIFICATION

Ambient temperature : -15+60°C

Degree of protection : IP 40 according to EN60529

OPTIONS

- **Special and customised scale**
- **Extension of capillary exceeding 1 m.**
- **Copper braided capillary with bulb AISI 304 st.st. Ø 10 mm**
- **Customizable process connection on request with turning and sliding male and female nut**
- **Available thermowell**
- **Available double reading pen for two different values on request**



di Gemini G. e Gozzini Obizio snc

Via Ca' Treviglio n° 1/3 24040 Pontirolo Nuovo (Italy) Tel. 0363 880123 Fax. 0363 881133

Sito internet: www.termaf.it e-mail: info@termaf.it

STANDARD SCALE RANGES

Standard scale clockwise rotation weekly	RTD/Q-I	RTD/Q-R	RTD/Q2P -I	RTD/Q2P -R	RTB/Q
-30-90°C	√	√	x	x	x
-100+0°C	√	√	x	x	x
-60+0°C	√	√	x	x	x
-10+40°C	√	√	x	x	x
-30+30°C	√	√	√	√	√
-35+35°C	√	√	√	√	√
-40+40°C	√	√	√	√	√
-50+50°C	√	√	x	x	√
-40+80°C	√	√	x	x	x
-80+40°C	√	√	x	x	x
-100+30°C	√	√	√	√	x
-100+50°C	√	√	x	x	x
0+60°C	√	√	x	x	√
0+100°C	√	√	x	x	x
0+120°C	√	√	x	x	x
0+150°C	√	√	x	x	x
0+200°C	√	√	x	x	x

Standard scale counter-clockwise rotation weekly	RTD/Q-I	RTD/Q-R	RTD/Q2P -I	RTD/Q2P -R	RTB/Q
-35+15°C	√	√	x	x	√
-10+40°C	√	√	x	x	√
-100+0°C	√	√	x	x	x
-100+50°C	√	√	x	x	x
-30+30°C	√	√	x	x	√
-50+50°C	√	√	x	x	√

Standard scale clockwise daily	RTD/Q-I	RTD/Q-R	RTD/Q2P -I	RTD/Q2P -R	RTB/Q
-30+30°C	√	√	x	x	x
-40+40°C	√	√	x	x	x
0+60°C	√	√	x	x	x
0+100°C	√	√	x	x	x

RTD/Q-I = Temperature recorder, 1 pen, stainless steel capillary and stainless steel bulb Ø11

RTD/Q-R = Temperature recorder, 1 pen, copper braided capillary and stainless steel bulb Ø 10

RTD/Q 2P-I = Temperature recorder, 2 pens, stainless steel capillary and stainless steel bulb Ø11 mm

RTD/Q 2P-R = Temperature recorder, 2 pens, copper braided capillary and stainless steel bulb Ø10

RTD/B = Temperature recorder, 1 Pen and bimetallic spring



di Gemini G. e Gozzini Obizio snc

Via Ca' Treviglio n° 1/3 24040 Pontirolo Nuovo (Italy) Tel. 0363 880123 Fax. 0363 881133

Sito internet: www.termaf.it e-mail: info@termaf.it