



**JOKWANG I.L.I CO.,LTD.**

**DRAWING  
FOR  
QUOTATION**

**PRESSURE SAFETY & RELIEF VALVE SPECIFICATIONS**

Doc.No. : 160928-007

PROJECT NAME:

PROJECT NO. :  
(HULL NO)

CLIENT :

SITE :

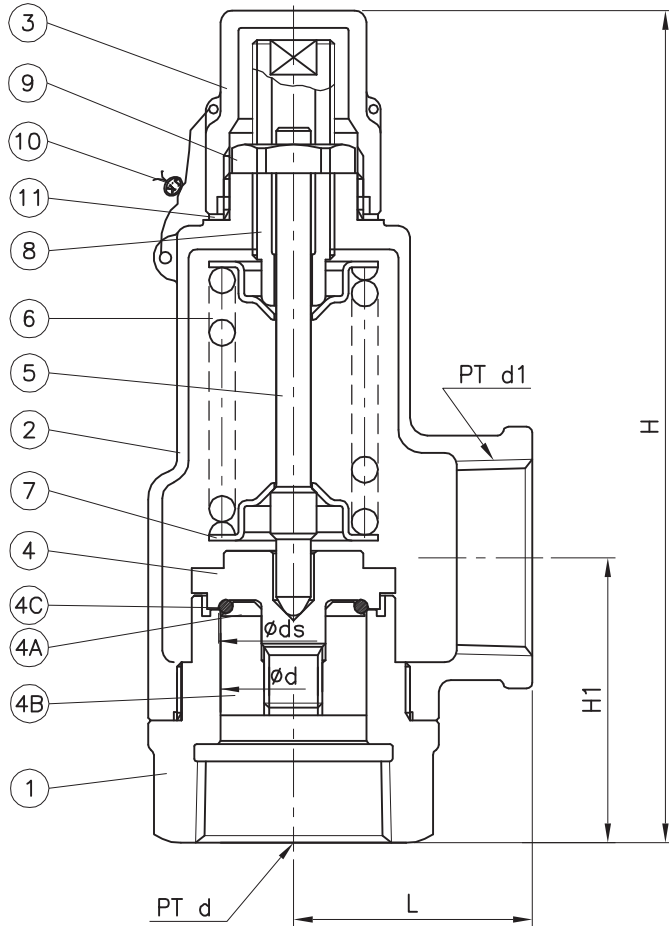
Head Office & Plant

#37, Sanmakgongdanbuk 10-gil, Yangsan-si, Gyeongsangnam-do, Korea

Tel : (055) 360 - 0200 Fax : (055) 360 - 0260

<http://www.jokwang.co.kr>

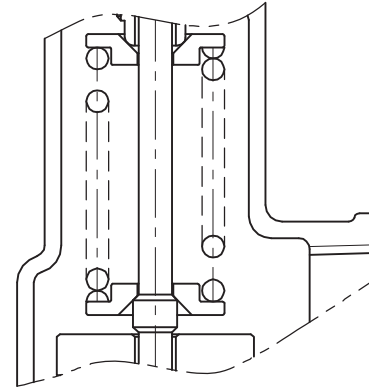
0	2016. 09. 28.	Quotation	S.W JUNG	J.B.SO	S.C.KIM		
REV.	DATE	DESCRIPTION	PREP'D	CHK'D	APP'D	APP'D	DATE
						CLIENT	



**DIMENSIONS**

UNIT : mm

SIZE	d	ds	L	H1	H	PTd	PTd1	W.T(kg)	Q'TY(set)
15A	20	21.0	35	45	129	1/2"	3/4"	0.8	
20A	20	21.0	35	45	131	3/4"	3/4"	0.9	
25A	25	26.0	41	49	142	1"	1"	1.1	
32A	32	33.0	45	58	160	1 1/4"	1 1/4"	1.5	
40A	40	41.0	55	64	187	1 1/2"	1 1/2"	2.7	
50A	50	51.0	70	74	209	2"	2"	3.8	



40A-50A

11	CAP GASKET	PTFE	1	
10	SEAL	Pb	1	
9	LOCK NUT	C 3604	1	
8	ADJUST SCREW	C 3604	1	
7	SPRING SEAT(LOW,UP)	SEE TABLE	2	
6	SPRING	SWOSC	1	
5	VALVE STEM	A276 304	1	
4C	O-RING	VITON	1	
4B	DISC GUIDE	C 3604	1	
4A	DISC WASHER	C 3604	1	
4	DISC	C 3771	1	
3	CAP	ZDC 2	1	
2	BONNET	CAC406	1	
1	BODY	C 3771	1	

NO	PART NAME	MATERIAL	Q'TY	REMARK
----	-----------	----------	------	--------

DES	CHE	APP	DATE	2003.05.03
2014.12.03	<i>[Signature]</i>	<i>[Signature]</i>	SCALE	N S
S.Y.PARK	Y.S.KIM	C.U.LIM		

D.W.G NAME	11 Kgf/cm <sup>2</sup>	MODEL NO
------------	------------------------	----------

LOW LIFT TYPE SAFETY VALVE	JSV-LT12
----------------------------	----------

7. SPRING SEAT MAT'L

MAT'L	REMARK
A276 304	15A-32A
SS 400	40A,50A

D.W.G NO	REV
J.K	7



JOKWANG I.L.I CO.,LTD.

JKS-1192003