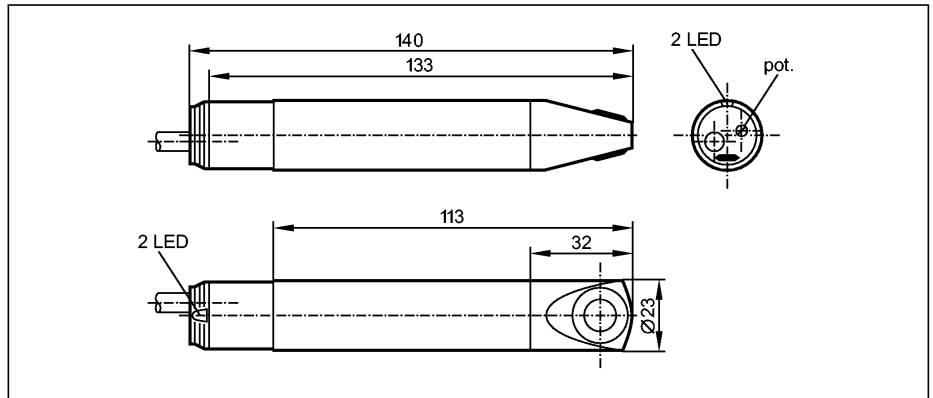


Flow sensors

**SL0101**

SLG23CEEAKOA  
Airflow monitor  
Cylindrical type  
Cable  
Process connection: Ø 23 mm

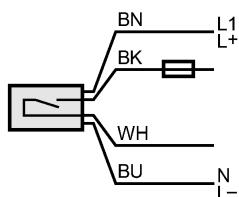


| Electrical design                   |         |
|-------------------------------------|---------|
| Output                              |         |
| Operating voltage                   | [V]     |
| Contact rating                      |         |
| Short-circuit proof                 |         |
| Reverse polarity protection         |         |
| Overload protection                 |         |
| Power consumption                   | [VA]    |
| Max. temperature gradient of medium | [K/min] |
| Pressure rating                     | [bar]   |
| Medium temperature                  | [°C]    |
| Setting range                       | [cm/s]  |
| Greatest sensitivity                | [cm/s]  |
| Max. relative air humidity          | [%]     |
| Adjustment of the switch point      |         |
| Power-on delay time                 | [s]     |
| Response time                       | [s]     |
| Ambient temperature                 | [°C]    |
| Protection                          |         |
| Housing materials                   |         |
| Materials (wetted parts)            |         |
| Function display                    | LED     |
| Connection                          |         |
| Remarks                             |         |
| Accessories (included)              |         |

| AC/DC                                |   |
|--------------------------------------|---|
| relay energised when flow is present |   |
| Operating voltage                    | 80...250 AC/DC (47...63 Hz AC)  |
| Contact rating                       | 3 A (30 V DC / 250 V AC)  |
| Short-circuit proof                  | no  |
| Reverse polarity protection          | no  |
| Overload protection                  | no  |
| Power consumption                    | 3   |
| Max. temperature gradient of medium  | 5   |
| Pressure rating                      | 1   |
| Medium temperature                   | -10...50  |
| Setting range                        | 100...1000  |
| Greatest sensitivity                 | 100...400   |
| Max. relative air humidity           | 90  |
| Adjustment of the switch point       | with pot.   |
| Power-on delay time                  | 60  |
| Response time                        | 3...60  |
| Ambient temperature                  | -10...50  |
| Protection                           | IP 65   |
| Housing materials                    | PBT (Pocan)   |
| Materials (wetted parts)             | sensor surface: titanium  |
| Function display                     | 1 x red / 1 x green   |
| Connection                           | PUR / PVC cable / 2 m; 4 x 0.5 mm <sup>2</sup>                              |
| Remarks                              | Recommendation: check the unit for reliable function after a short circuit. |
| Accessories (included)               | Mounting clamp (E40048), screwdriver  |

**Wiring**

- Core colours  
 BN brown  
 BU blue  
 BK black  
 WH white



Note: miniature fuse to IEC60127-2 sheet 1, ≤ 5 A (fast acting)