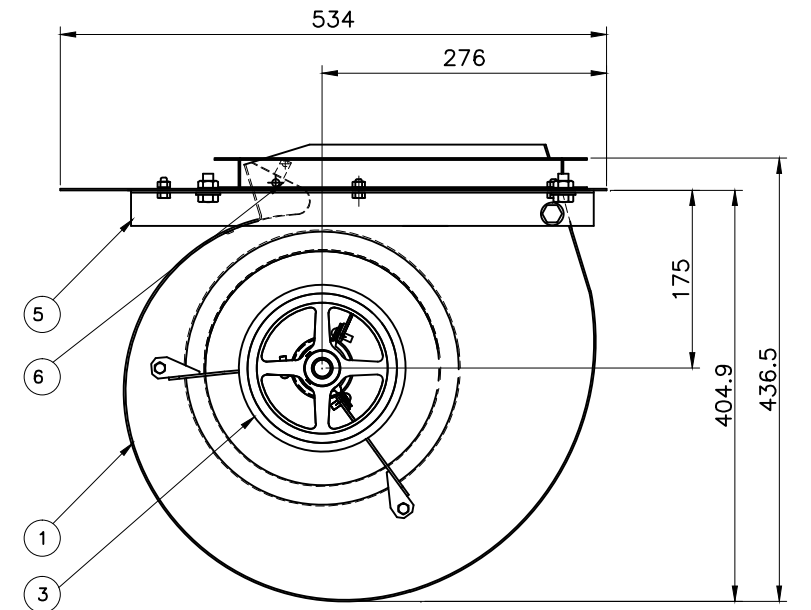
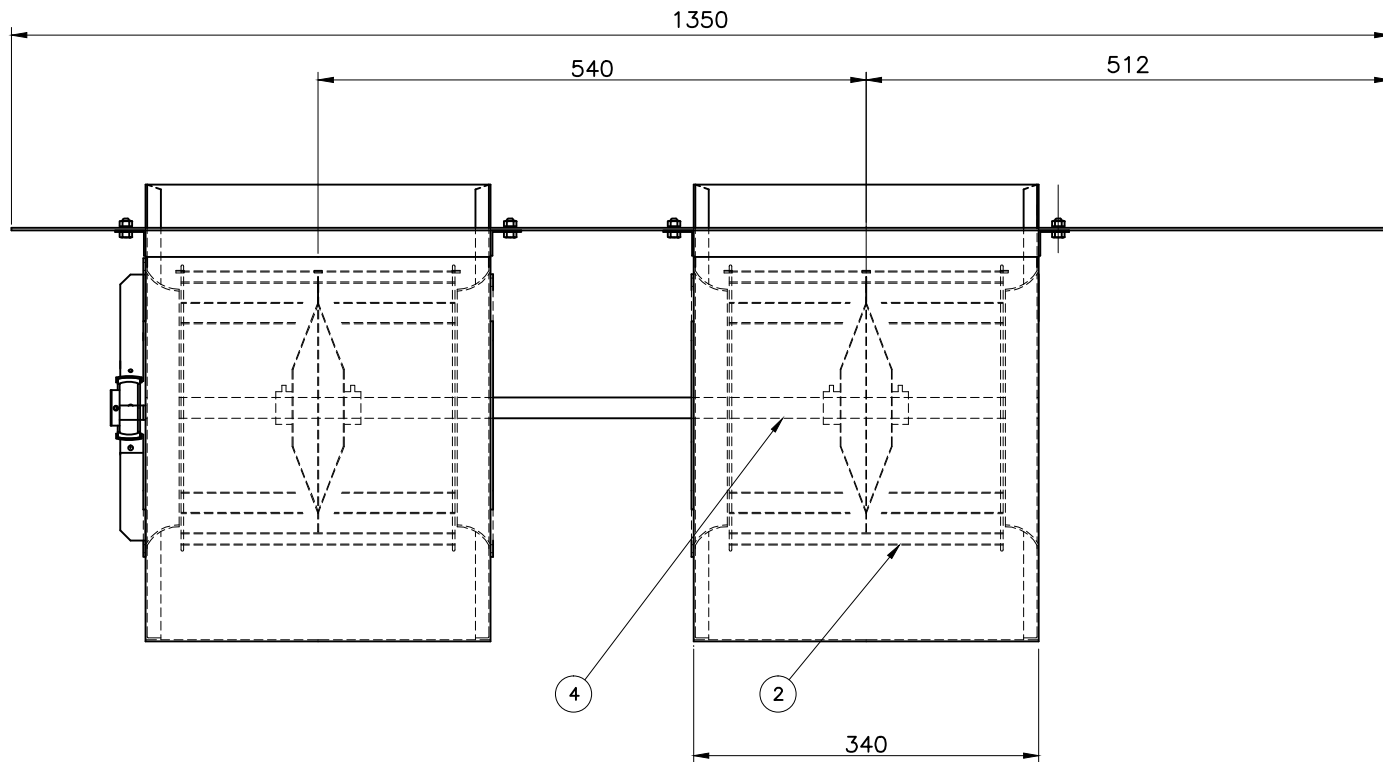
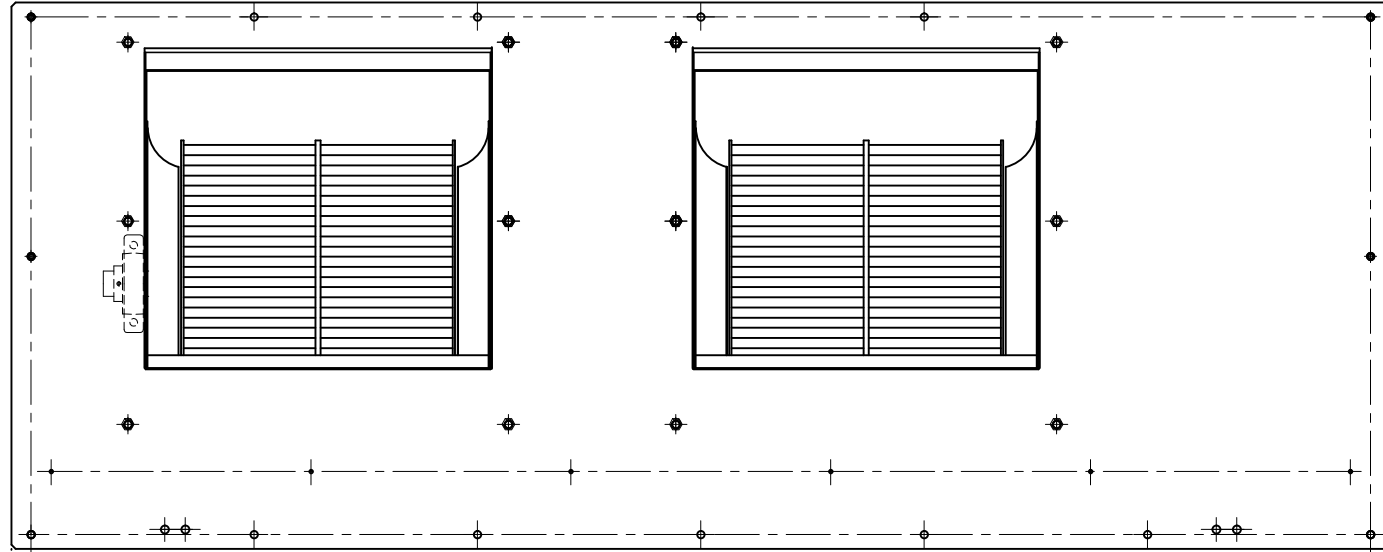


This document must not be copied without our consent, nor must its contents be made known to others or otherwise unauthorizedly used. All data subject to change without notice. Century Corporation

이 도면은 선주리(주)의 지적 재산이므로  
사전허가없이 유출하거나 복사할 수 없습니다.



C	B	A	MARK	REVISION RECORD	DATE	REVISED	CHKED	APPD.
			⚠					
			⚠					
			⚠					
			⚠					

QTY.	QTY.	QTY.	PARTS No.	PARTS NAME	MATERIAL	TREAT.	DIMENSION	WEIGHT	
								MTL.	FINED.
		2	01	케이싱 조립도(1)	SGCC		DN300082		
		2	02	RUNNER ASS'Y	SGCC		PA203125		
		1	03	BLOWER PULLEY	GC150		DN300087		
		1	04	FAN SHAFT	SS400B		SPEC		
		1	05	공기안내판(1)	SGCC		DN300091		
		1	06	상부 CASING	EGI		MDT301734		

TOLERANCES UNLESS OTHERWISE SPECIFIED	PRODUCT NAME MARINE TYPE PACKAGED AIRCOND.				TITLE BLOWER ASS'Y		
	MODEL MP-G10HS(F)1				(CHAMBER TYPE)		
	DWN BY	DESIGNED BY	CHKED. BY	APPD.	THIRD ANGLE PROJECTION	SCALE 1:7	UNIT : mm
	REFERENCE DRW NO.				DRAWING NO. MDT301737		
Century Corporation				Rev. 0			