

MS-328-3



MS-328-3

Standard Reed Sensor Flatpack

Electrical Characteristics @ 25 °C

| | | |
|---------------------------------|--------|------------------|
| Contact form | | A |
| Contact rating max. | W / VA | 10 |
| Switching voltage max. | VDC | 200 |
| | VAC | 140 |
| Switching current max. | A | 1 |
| Carry current max. | A | 1.2 |
| Breakdown voltage min. | VDC | 240 |
| Total resistance max. (initial) | mΩ | 150 |
| Insulation resistance min. | Ω | 10 ¹⁰ |

Features

- Adjustable switching point
- Various sensitivity ranges available
- Customized types available

Magnetical Characteristics (of unmodified Reed Switch) @ 25 °C

| | | |
|--------------------------|------|---------|
| Pull in range available | AT | 10 - 25 |
| Drop out min. | AT | 4 |
| Test coil | TC | 014 |
| Test equipment tolerance | ± AT | 2 |

Approvals

RoHS

REACH

CE US

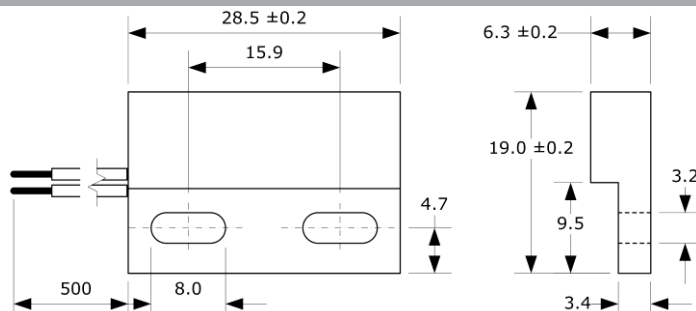
Operating Characteristics (of unmodified Reed Switch) @ 25 °C

| | | |
|----------------------------------|----|------|
| Switching frequency max. | Hz | 500 |
| Resonant frequency typ. | Hz | 4000 |
| Operate time max. (incl. bounce) | ms | 1 |
| Release time max. | ms | 0.4 |

Environmental Characteristics

| | | |
|------------------------|----|------------|
| Operating temperature | °C | -20 to +85 |
| Vibration (50-2000 Hz) | g | 20 |
| Shock (1/2 sin 11 ms) | g | 100 |

Dimensions in mm



Ordering Information

| | |
|--------------------|--------|
| Packing Unit | 25 pcs |
| Weight per piece | 10.4 g |
| Weight per package | 270 g |

Standard AT Ranges

- 1 = 10 to 15 AT
- 2 = 15 to 20 AT
- 3 = 20 to 25 AT

Ordering Example

MS-328-3-2 describes MS-328-3 with 15 to 20 AT.

MS-328-3



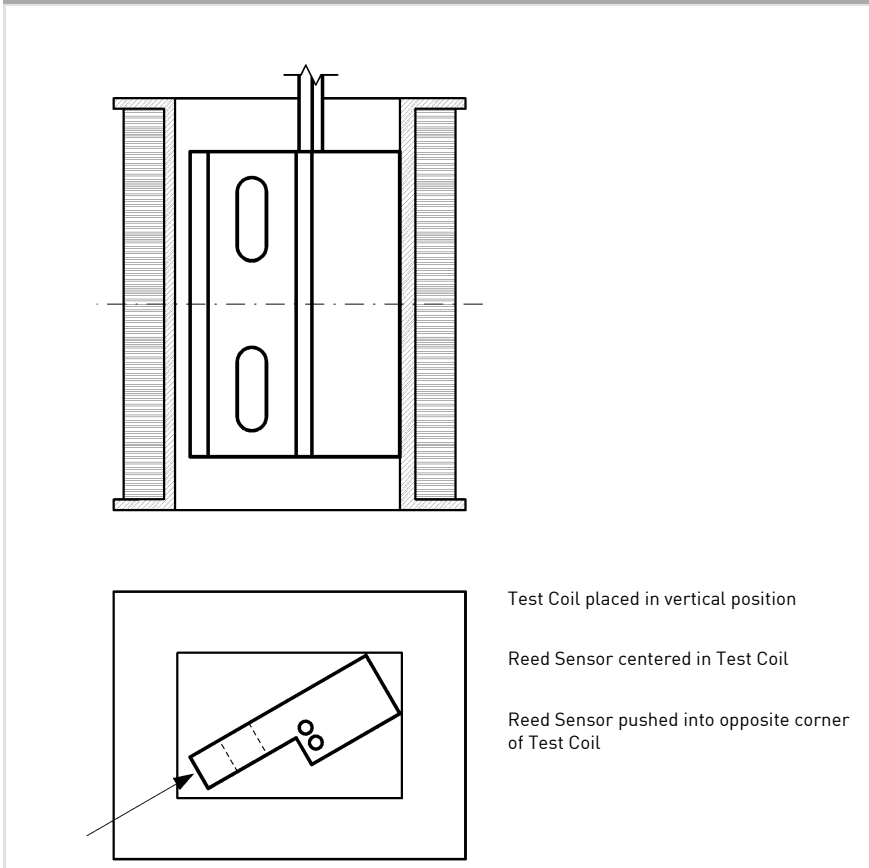
MS-328-3

Standard Reed Sensor Flatpack

Material Information

| | Material | Colour |
|------------------|--|--------|
| Housing | PA-GF | black |
| Cable | UL 1007/1569, AWG 20, 4 mm stripped and tinned | black |
| Potting compound | Epoxy | black |

Test Procedure of final Reed Sensor



Test Parameters

| | |
|---------------|--------------|
| Test coil | TC- 328 |
| Test programs | |
| AT range | Test program |
| 1 = | MS-328-3-1 |
| 2 = | MS-328-3-2 |
| 3 = | MS-328-3-3 |

Remarks

When mounted onto ferromagnetic parts switching distance of MS-328-3 may reduce.
Electromagnetical influences and magnetic fields may change the switching behaviour of the sensor.

Only non-ferromagnetic screws to be used for mounting.

Matching actuator MSM-328 available as well.