

Descrizione

3-piston alternating volumetric pumps for use on cleaning units and industrial systems. Hollow shaft pump version for electric motors B14 frame 100 and 112 IEC34-7, 4 poles 50Hz, flange F16 non included.

Pump body and cover in die-cast aluminium alloy.

Rear cover with oil drain outlet and oil sight glass. Cap with dipstick for oil level on body pump.

Pistons driven by crank-connecting rod mechanism.

Pump shaft in pressed high-strength steel.

Oversized friction bearings.

Connecting rods in die-cast special low-friction zinc-aluminium alloy.

One-piece ceramic pistons.

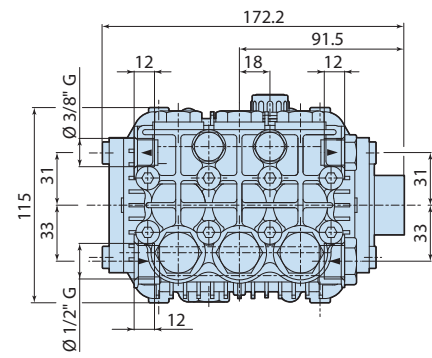
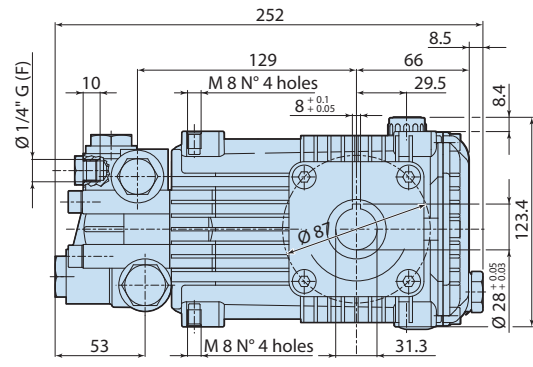
Pump head in pressed brass.

Double gasket sealing system.

Intake and delivery valves have plugs for easier maintenance.



Details	Value
Category	Cleaning
Series	228 - RK, RKA, RKV
Pump type	RK 18.12 C
Versioning	C
ARCode	20654
Output (lt/min)	18
Output (gpm)	4,75
Pressure (bar)	120
Pressure (psi)	1740
Power (hp)	5.5
Power (kw)	4
RPM	1450
Weight (kg)	9



1388521