



# DB SERIES

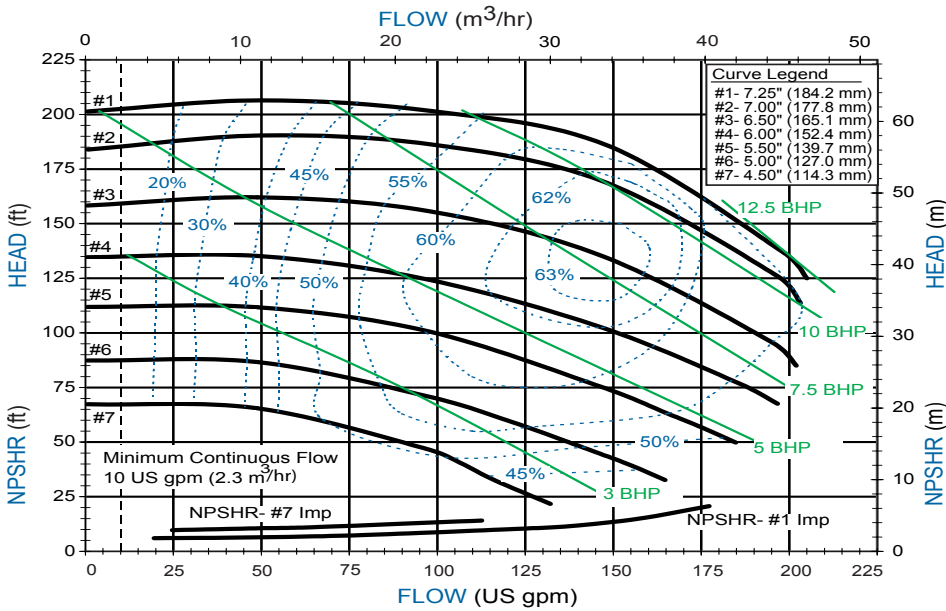
## MODEL DB22



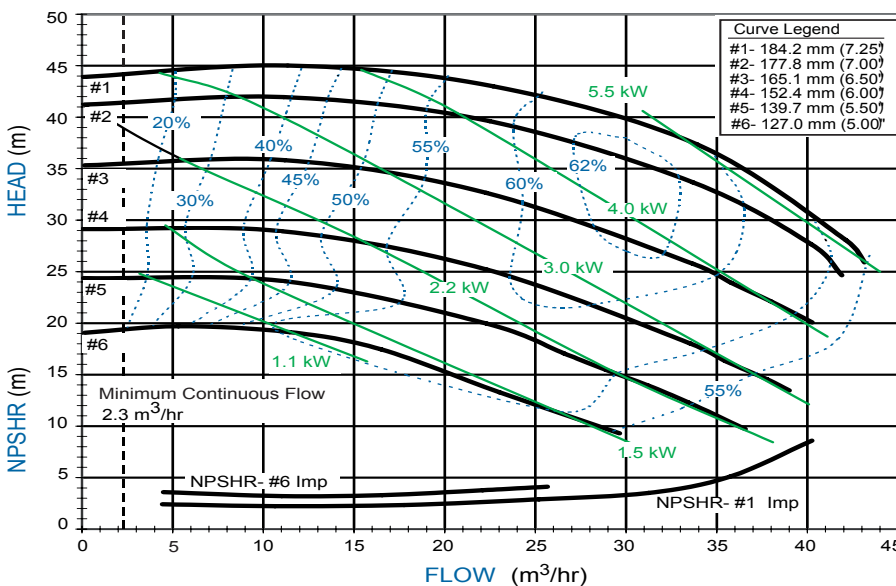
**5**  
YEAR  
WARRANTY



### DB22 PERFORMANCE 3450 RPM



### DB22 PERFORMANCE 2900 RPM



## FEATURES & CAPABILITIES

- + Five-year warranty
- + Extended run dry ability (with carbon bushing)
- + High operating efficiency
- + Easy set, measurement-free drive
- + Polypropylene or PVDF construction
- + Open or closed impeller options
- + Powerful neodymium magnets
- + Close-coupled design
- + Threaded (NPT or BSP), union or flange connections
- + 1/8 inch impeller trims available
- + Vertical installation option with IEC motor
- + Mounts to NEMA and IEC (B5 and B14) motor frames
- + Replaceable shaft
- + ISO 1940 G2.5 balancing
- + CE certified/ATEX available
- + Working pressure up to 90 psi (6.2 bar)
- + Up to 1.8 SG
- + Viscosity up to 150 cP
- + Polypropylene—180° F (82° C)
- + PVDF—220° F (104° C)

## APPLICATIONS

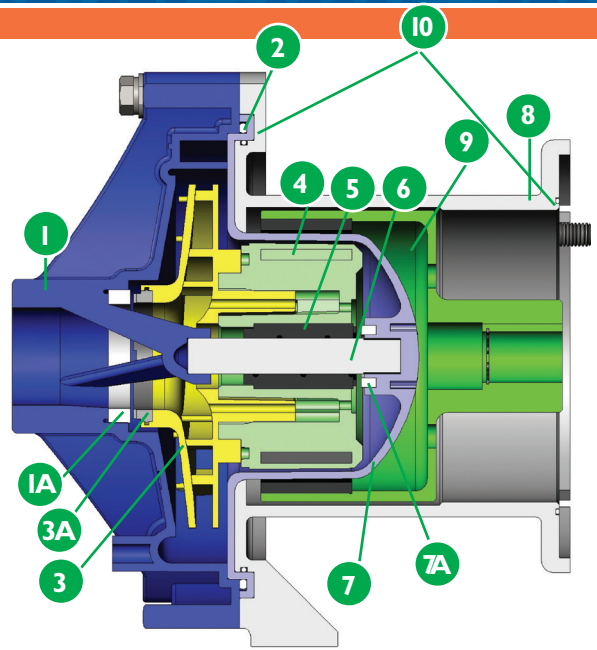
- + Chemical processing
- + Plating
- + Water and wastewater
- + Electronics
- + Pharmaceuticals
- + Wet scrubber
- + Pulp and paper
- + Heat exchanger

Notes: Performance curves above are based on closed impellers. Contact the factory for performance based on open impellers. Maximum power @ 3450 RPM is 13 hp (9.7 kW). [Consult factory for applications above 10 hp (7.5 kW)]. At 2900 RPM, maximum power is 7.5 kW (10 hp).

# DB SERIES

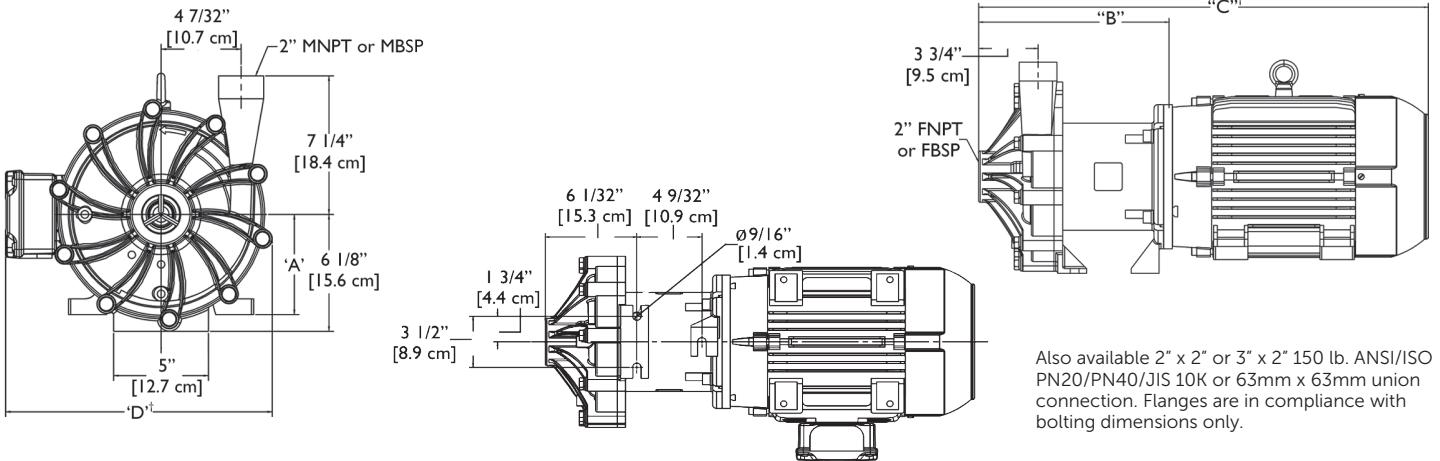
## Specifications

Description	Polypropylene	PVDF
1 Impeller housing	Glass-fiber reinforced polypropylene (GF PP)	Carbon-fiber reinforced PVDF (CF PVDF)
1A Impeller housing thrust ring	High purity alumina ceramic or silicon carbide (SiC)	
2 O-ring	FKM, EPDM, Simriz®, or Kalrez	
3 Impeller	GF PP	CF PVDF
3A Impeller thrust ring	Fluorosint® or SiC	
4 Inner drive	Neodymium iron boron magnets encapsulated in unfilled polypropylene	Neodymium iron boron magnets encapsulated in unfilled PVDF
5 Bushing	Carbon, PTFE, or SiC	
6 Shaft	High purity alumina ceramic, Hastelloy® C, or SiC	
7 Barrier	GF PP	CF PVDF
7A Barrier thrust ring	High purity alumina ceramic	
8 Motor adapter	Ductile iron	
9 Outer drive	Nickel-plated neodymium iron boron magnets/ steel	
10 Motor adapter sealing kit (NEMA only)	Buna N, FKM, EPDM	



Kalrez® is a registered trademark of DuPont Performance Elastomers  
 Simriz® Perfluoroelastomer is a registered trademark of the Simrit® division of Freudenberg-NOK  
 Hastelloy® C is a registered trademark of Haynes International, Inc.  
 Fluorosint® is a registered trademark of Quadrant Engineering Plastics.

## Dimensions



Also available 2" x 2" or 3" x 2" 150 lb. ANSI/ISO PN20/PN40/JIS 10K or 63mm x 63mm union connection. Flanges are in compliance with bolting dimensions only.

Motor Frame	A	B	C	D <sup>†</sup>	lbs. [kg] PP	lbs. [kg] PVDF
NEMA 145TC	3-1/2" [8.8 cm]	12-5/16" [31.2 cm]	23-17/32" [59.8 cm]	11-11/16" [29.7 cm]	48 [21.8]	44 [20.0]
NEMA 182/184TC	4-1/2" [11.4 cm]	11-13/32" [29.0 cm]	26-7/16" [67.2 cm]	12-15/32" [31.7 cm]	40 [18.1]	45 [20.4]
NEMA 213/215TC	5-1/4" [13.3 cm]	12" [30.5 cm]	28-5/16" [71.9 cm]	14-1/32" [35.7 cm]	45 [20.4]	49 [22.2]
IEC 90 w/B14 or B5	3-17/32" [9.0 cm]	12-5/16" [31.2 cm]	23-5/16" [59.2 cm]	11-11/16" [29.7 cm]	48 [21.8]	52 [23.6]
IEC 100 w/B14 or B5	3-15/16" [10.0 cm]	12-5/16" [31.2 cm]	24-23/32" [62.8 cm]	12-1/8" [30.8 cm]	48 [21.8]	52 [23.6]
IEC 112 w/B14 or B5	4-13/32" [11.2 cm]	12-5/16" [31.2 cm]	25-15/32" [64.7 cm]	12-1/8" [30.8 cm]	48 [21.8]	52 [23.6]
IEC 132 w/ B14 or B5	5-3/16" [13.0 cm]	12-3/8" [31.4 cm]	28-15/32" [72.3 cm]	14-3/16" [36.0 cm]	51 [23.1]	55 [24.9]

Note: Contact factory for dimensions on flanged or union models. Dimensions and weights are for reference only.

<sup>†</sup>Varies with motor manufacturer.



**FINISH THOMPSON INC. - HEADQUARTERS**  
 921 Greengarden Road | Erie, PA 16501  
 800.934.9384 | ph 814.455.4478 | fx 814.455.8518  
 email [fti@finishthompson.com](mailto:fti@finishthompson.com)

**FINISH THOMPSON INC. - EUROPE CENTER**  
 Otto-Hahn-Strasse 16 | Maintal, D-63477 Germany  
 49 (0)6181-90878-0 | fx 49 (0)6181-90878-18  
 email [fti@finishthompson.com](mailto:fti@finishthompson.com)