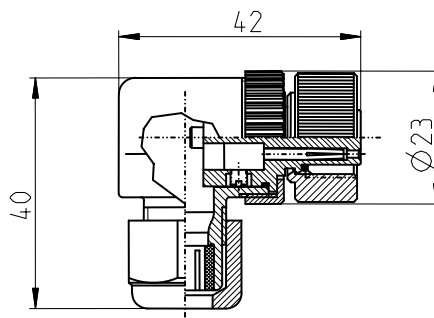


Cable connector
Series M12x1

Description **WDA-M12UA/LO**

Article number **4139100101**



Electrical data

Number of pole	4
Terminal code	A - Code
Operating voltage	250 V~ / 300 V-
Rated current	T_u 4 A ($T_u = 40^\circ\text{C}$; IEC 60 512-3 Test 5 b)
Contact resistance	< 5 mΩ (IEC 60 512-2 Test 2 a)
Rated impulse voltage	2 kV (IEC 60 664-1)
Test voltage	1,5 kV/60 sec (IEC 60 512-2 Test 4 a)
Insulation resistance	> 109 Ω (IEC 60 512-2 Test 3 a)

Mechanical Data

Enclosure	PA
Seal	Viton
Coupling ring	CuZn/Ni
Contacts	CuZn/CuSn
Contact pin	Ø 1,0 mm
Contact plating	Ni
Contact carrier	PA
Connection	Screw
Conductor cross-sections	≤ 0,75 mm ²
Type of protection	IP68 (IEC 60 529)
Pollution degree	3 (IEC 60 664-1)
Temperature range	-25 °C / + 90 °C
Tightening torque locking ring	100 - 150 Ncm