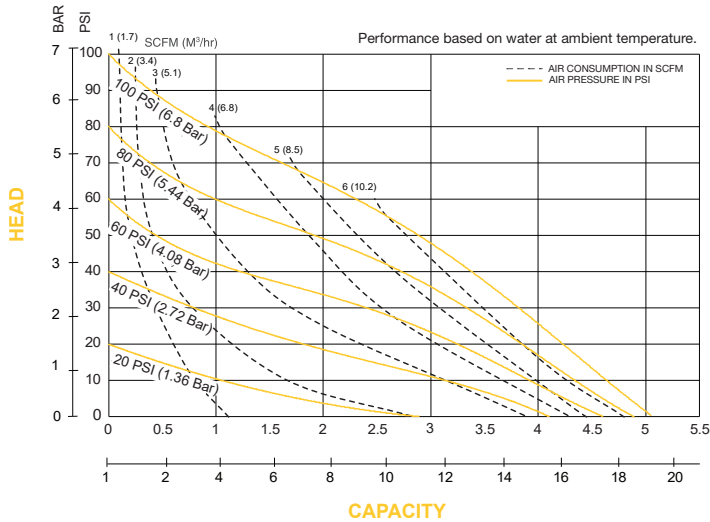


E6 DATA SHEET

SPECIFICATIONS & PERFORMANCE

1/4" Clamped Plastic with Plastic Center Sections

PERFORMANCE



SPECIFICATIONS

Flow Rate

Adjustable to 0-5 gpm (19 lpm)

Port Size

Suction 1/4" NPT

Discharge 1/4" NPT

Air Inlet 1/4" NPT

Air Exhaust 1/4" NPT

Suction Lift

Dry 8' (2.44 m)

Max Solid Size (Diameter) . . 1/32" (1 mm)

Max Noise Level 78 dB(A)

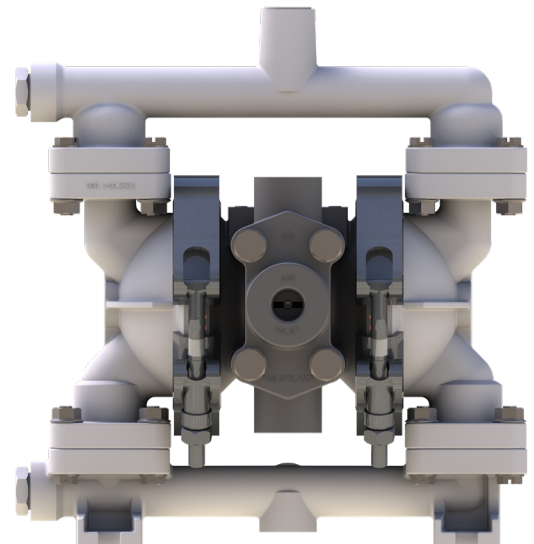
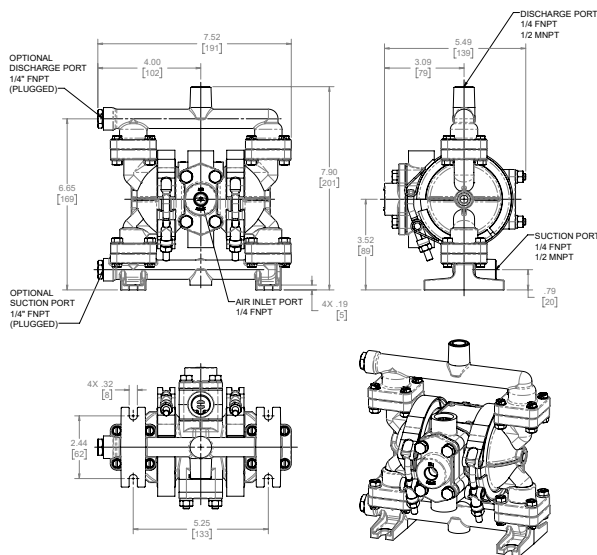
Shipping Weights

Polypropylene 3.3 lbs (1.5 kg)

Kynar. 3.9 lbs. (1.8 kg)

NOTE: Performance based on the following: elastomeric fitted pump, flooded suction, water at ambient conditions. The use of other materials and varying hydraulic conditions may result in deviations in excess of 5%.

DIMENSIONS



VERSAMATIC®

Warren Rupp, Inc. | A Unit of IDEX Corporation
800 North Main Street | Mansfield, OH 44902 USA
Phone: 419.526.7296 | Fax: 419.526.7289

VERSAMATIC.COM

e6nmdlCds-rev0519

©Copyright 2019 Warren Rupp, Inc. All Rights Reserved.