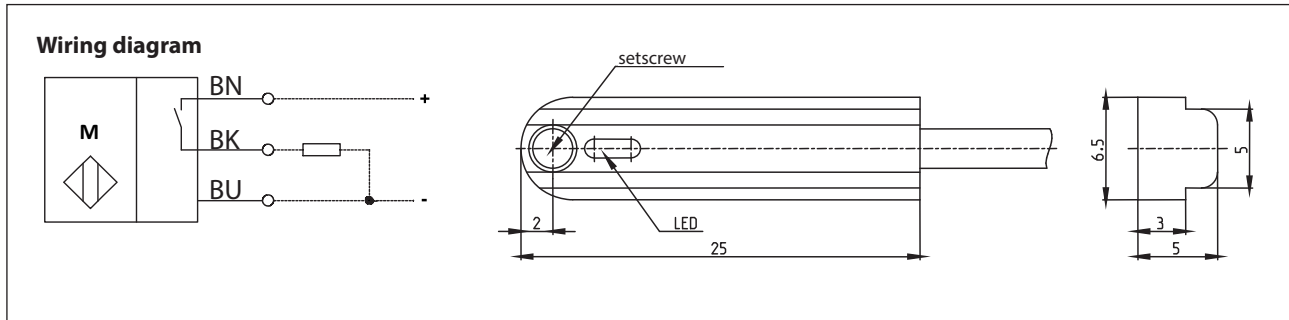


Magnetic Switch Series E30

Description **MEA-E30PS/HP1-KL2**

Article number **6372299181**



Identifying characteristics in accordance with EN 60947-5-2

| Electrical data | |
|----------------------------------|---|
| Magnetic sensitivity | Factory setting 3 mT (south activated) adjustable 0,8 mT ... 27 mT (north / south activated) |
| Switching element function | DC, N.O., open collector |
| Repeat accuracy | R $\leq 0,1$ mT (constant U_B and ambient air temperature) |
| Differential travel (hysteresis) | H 0,8 mT |
| Operational voltage range | U_B 10 – 30 V DC |
| Rated insulation voltage | U_i 75 V DC |
| Voltage drop | U_d < 2 V @ 50 mA |
| Utilization category | DC-12 |
| Rated operational current | I_e ≤ 50 mA |
| Leakage current | < 25 μ A |
| No-load supply current | I_o < 10 mA (not actuated) |
| Switching element | Hall |
| Short-circuit protection | pulsed |
| Mounting | from side into a T-Groove |
| False polarity protection | yes |

| Electromagnetic compatibility (EMC) | |
|---|---------------|
| Electromagnetic field test | IEC 61000-4-3 |
| Electrostatic discharge test | IEC 61000-4-2 |
| Electrical fast transient immunity test (Burst) | IEC 61000-4-4 |
| Conducted disturbances, inducted by high frequency electromagnetic fields | IEC 61000-4-6 |
| Radiated disturbance field strength | EN 55011 |

| Mechanical data | |
|-------------------------|---|
| Enclosure | AlMgSi0,5 (Aluminium) |
| Ambient air temperature | -20 °C ... +80 °C (cable fixed mounted) |
| Type of protection | IP 67 acc. to IEC 529, EN 60529 |
| Function indication | LED yellow, output indication / output activated |
| Termination type | Cable 3 x 0,05 mm ² x 2 m ± 5 %, PUR-Outer jacket |
| Attachment | 1 x setscrew M3 x 6, DIN 913 1 x programming tool magnetic |

| EU Conformity | |
|----------------------|------------------------------|
| | acc. to directive 2014/30/EU |