

Air moving and spot cooling

| | |
|--|------------|
| Standard frame fans - Costech | 88 |
| – Products overview | 90 |
| – AC axial fans | 92 |
| – EC axial fans | 112 |
| – DC axial fans | 113 |
| – DC blowers | 137 |
| EC Technology | 139 |
| DC fans with signal lead | 140 |
| Special frame fans | 141 |
| – IP55 AC fans | 142 |
| – IP55 EC fans | 143 |
| – IP55 DC fans | 144 |
| – AC all metal fans | 145 |
| – AC high temperature resistant fans | 146 |
| Accessories | 147 |

ESMERIS
frame fans

STANDARD FRAME FANS

Axial fans and blowers provide forced-air cooling solution to temperature-sensitive applications. The large airflow and low noise axial fans are designed for ventilation and spot cooling of internal machinery components, especially in areas with confined spaces. Blowers, on the other hands, produce more concentrated airflow and are suitable to work with high impedance systems. A variety of AC, DC and energy-efficiency EC fans in different sizes, air volumes and pressures satisfies each industrial requirements.



MOTOR TYPE

AC shaded pole or capacitor, or alternatively with brushless DC motor

ELECTRICAL CONNECTION

Wires or terminal

FAN DESIGN

With or without external casing

SUPPORT SYSTEM

Long life ball bearing or quiet operation sleeve bearing

ENERGY EFFICIENCY

EC green technology for high performance

DC SIGNALS

Alarm or speed sensor provided by a separate wire

Details that make the difference



Frameless version



Blower



Fan filter kit

Model numbering system for Standard Frame fans

| description | A 12 B 23 H T B W 00 | description |
|--|----------------------|--|
| MOTOR TYPE A = a.c. shaded pole motor C = a.c. capacitor run induction motor D = d.c. brushless | | OPTIONS 00 = no option A = alarm output S = speed signal output I = variable speed with integrated V = variable speed with external thermistor M = digital PWM speed control T = for high temperature ambient F = motor IP55 protected H = motor IP25 protected Wnn = wires lenght out of standard Qnn = special version |
| CASING SIZE 01 = 15x15 mm axial fan 20 = 20x20 mm axial fan 02 = 25x25 mm axial fan 03 = 30x30 mm axial fan 35 = 35x35 mm axial fan 04 = 40x40 mm axial fan 45 = 45x45 mm axial fan 50 = 50x50 mm axial fan 06 = 60x60 mm axial fan 07 = 70x70 mm axial fan 08 = 80x80 mm axial fan 09 = 92x92 mm axial fan 12 = 120x120 mm axial fan 13 = 127x127 mm axial fan 17 = 172x150 mm axial fan 18 = ø 172 mm axial fan 22 = 218x218 mm axial fan 25 = 280x280 mm axial fan C1 = 120x120 mm blower C6 = 75x75 mm blower | | DESIGN |
| CASING THICKNESS N = 6.5 mm E = 10 mm F = 15 mm D = 20 mm A = 25 mm G = 30-32 mm B = 38 mm standard flow R = 38 mm reverse flow C = 50-52 mm M = 55 mm S = 83 mm W = without casing, standard flow Z = without casing, reverse flow | | BEARING TYPE B = shielded ball S = sleeve |
| | | CONNECTION K = terminal block T = flat terminals 110 series (2.8x0.5 mm) W = lead wires |
| | | SPEED E = extra low V = very low L = low M = medium H = high S = super high |
| | | RATED VOLTAGE 01 = 5 V d.c. 12 = 115 V a.c. 04 = 12 V d.c. 23 = 230 V a.c. 05 = 24 V d.c. / V a.c. 40 = 400 V a.c. 3-phase 07 = 48 V d.c. |

Model numbering system for Standard Frame fans (NEW)

| description | A 12 B 23 H T B A 5 0 - R F T 0 - Wxx | description |
|--|---------------------------------------|--|
| FAN TYPE A = axial shaded pole B = blower d.c. brushless C = axial a.c. capacitor run induction motor D = axial d.c. brushless E = axial EC fan J = blower a.c. capacitor run induction motor P = chip cooler d.c. brushless R = blower a.c. | | CUSTOMIZATION Wxx = wire lenght not standard Qxx = special version |
| CASING SIZE 01 = 15x15 mm 75 = 75x75 mm 20 = 20x20 mm 08 = 80x80 mm 02 = 25x25 mm 09 = 92x92 mm 03 = 30x30 mm 97 = 97x97 or 97x94 mm (blower) 35 = 35x35 mm 12 = 120x120 mm 04 = 40x40 mm 13 = 127x127 mm 45 = 45x45 mm 17 = 172x150 mm 50 = 50x50 mm 18 = ø 172 mm 06 = 60x60 mm 22 = 218x218 mm 07 = 70x70 mm 25 = 280x280 mm | | FREE PROGRESSIVE DIGIT () = standard 0-9 = progressive |
| CASING THICKNESS N = 6.5 mm G = 30-32 mm E = 10 mm B = 38 mm F = 15 mm C = 50-52 mm D = 20 mm M = 55 mm A = 25 mm S = 83 mm J = 28 mm | | HIGH TEMPERATURE () = standard temperature T = high temperature |
| RATED VOLTAGE 01 = 5 V d.c. 12 = 115 V a.c. 04 = 12 V d.c. 23 = 230 V a.c. 05 = 24 V d.c. / V a.c. 30 = 115-230 V a.c. 07 = 48 V d.c. 40 = 400 V a.c. 3-phase | | IP PROTECTION () = IP20 F = IP55 coated P = IP55 parylene G = IP58 |
| SPEED E = extra low V = very low L = low M = medium H = high S = super high U = ultra high I = hyper high | | AIR FLOW DIRECTION () = standard flow with casing R = reverse flow with casing W = standard flow without casing Z = reverse flow without casing |
| CONNECTION K = terminal block T = flat terminal W = wires | | OPTIONS 0 = by impedance 1 = by IC 2 = by IC with alarm (RD) 3 = by IC with speed sensor (FG) 4 = by IC variable speed sensor (VS) 6 = by transistor with speed sensor (FG) 7 = two speed 8 = VS + FG 9 = PWM control A = VS + RD B = PWM + FG C = RD + FG D = thermally protected F = PWM + RD |
| BEARING TYPE B = ball S = sleeve | | BLADES NUMBER 5 = 5 C = 15 7 = 7 D = 17 9 = 9 E = 19 A = 11 F = 21 B = 13 O = blower blade shape |
| | | DESIGN |

| PRODUCTS OVERVIEW | | | | | | |
|----------------------|------------|--------------------|-------------|-------------------|---------|------|
| Model | Dimensions | Voltage | Rated Power | Air Flow | Noise | Page |
| | mm | V | W | m ³ /h | dB(A) | |
| AC AXIAL FANS | | | | | | |
| A06GF | 60x60x30 | 115/230 Va.c. | 4 ÷ 5 | 14 ÷ 17 | 27 ÷ 28 | 92 |
| A08AF | 80x80x25 | 115/230 Va.c. | 11 ÷ 16 | 36 ÷ 41 | 32 ÷ 35 | 93 |
| A08BF | 80x80x38 | 115/230 Va.c. | 9 ÷ 14 | 33 ÷ 41 | 28 ÷ 36 | 94 |
| A09AF | 92x92x25 | 115/230 Va.c. | 11 ÷ 16 | 39 ÷ 68 | 28 ÷ 36 | 95 |
| A12AF | 120x120x25 | 115/230 Va.c. | 11 ÷ 16 | 87 ÷ 117 | 33 ÷ 42 | 96 |
| A12BW | 120x120x38 | 24/115/230 Va.c. | 6 ÷ 24 | 83 ÷ 199 | 28 ÷ 50 | 97 |
| A12RW | 120x120x38 | 230 Va.c. | 19 ÷ 20 | 150 ÷ 167 | 48 ÷ 54 | 99 |
| A12ZWW | ∅ 113x38 | 115/230V a.c. | 18 ÷ 22 | 148 ÷ 182 | 43 ÷ 50 | 100 |
| A13BF | 127x127x38 | 115/230V a.c. | 15 ÷ 17 | 178 ÷ 204 | 46 ÷ 50 | 101 |
| A17CF | 172x150x51 | 115/230V a.c. | 28 ÷ 35 | 290 ÷ 331 | 50 ÷ 55 | 102 |
| C17BF | 172x150x38 | 115/230V a.c. | 26 ÷ 29 | 300 ÷ 360 | 54 ÷ 58 | 103 |
| C17CF | 172x150x51 | 115/230V a.c. | 29 ÷ 31 | 348 ÷ 384 | 53 ÷ 58 | 104 |
| C18CF | ∅ 172x51 | 115/230V a.c. | 29 ÷ 31 | 348 ÷ 384 | 50 ÷ 55 | 105 |
| C22SD | 218x218x83 | 115/230V/400 Va.c. | 78 ÷ 174 | 855 ÷ 970 | 61 ÷ 67 | 106 |
| C22SU | 218x218x83 | 115/230V a.c. | 68 ÷ 85 | 800 ÷ 937 | 35 ÷ 68 | 107 |
| C25SE | 280x280x80 | 115/230/400 V a.c. | 86 ÷ 138 | 1540 ÷ 1920 | 65 ÷ 79 | 108 |
| C25SU | 280x280x80 | 115/230V a.c. | 130 ÷ 170 | 1450 ÷ 1835 | 68 ÷ 79 | 110 |
| A12BA Q109 | 120x120x38 | 230 Va.c. | 13 ÷ 14 | 110 ÷ 115 | 40 ÷ 41 | 111 |
| EC FANS | | | | | | |
| E08BL | 80x80x38 | 115/230V a.c. | 5 ÷ 5 | 64 ÷ 73 | 35 ÷ 39 | 112 |
| E12BL | 120x120x38 | 230 Va.c. | 2.5 ÷ 6 | 132 ÷ 206 | 34 ÷ 47 | 112 |
| DC AXIAL FANS | | | | | | |
| D20EA | 20x20x10 | 5/12 Vd.c. | 0.4 ÷ 0.8 | 1 ÷ 1.4 | 15 ÷ 26 | 113 |
| D02EZ | 25x25x10 | 5/12 Vd.c. | 0.5 ÷ 1 | 3.6 ÷ 4.3 | 23 ÷ 29 | 114 |
| D03EA | 30x30x10 | 5/12 Vd.c. | 0.6 ÷ 0.7 | 5 ÷ 6.4 | 20 ÷ 28 | 115 |
| D04ET | 40x40x10 | 5/12/24 Vd.c. | 1 ÷ 2.2 | 8.5 ÷ 11 | 22 ÷ 26 | 116 |
| D04FA | 40x40x15 | 12 Vd.c. | 1 ÷ 1.4 | 11 ÷ 15 | 27 ÷ 39 | 117 |
| D04DZ | 40x40x20 | 24 Vd.c. | 2.2 ÷ 2.2 | 15 ÷ 15 | 36 ÷ 36 | 118 |
| D45EA | 45x45x10 | 5/12 Vd.c. | 0.2 ÷ 1 | 12 ÷ 15 | 22 ÷ 27 | 119 |
| D50EA | 50x50x10 | 12 Vd.c. | 1.2 ÷ 1.4 | 10 ÷ 15 | 20 ÷ 24 | 120 |
| D50FA | 50x50x15 | 12 Vd.c. | 1 ÷ 2.4 | 19 ÷ 29 | 25 ÷ 34 | 121 |
| D06ET | 60x60x10 | 5/12 Vd.c. | 0.8 ÷ 1.8 | 20 ÷ 24 | 29 ÷ 33 | 122 |
| D06FA | 60x60x15 | 5/12/24 Vd.c. | 1.3 ÷ 2.2 | 24 ÷ 27 | 31 ÷ 35 | 123 |
| D06DA | 60x60x20 | 12/24 Vd.c. | 1 ÷ 1.9 | 21 ÷ 28 | 24 ÷ 31 | 124 |
| D06AA | 60x60x25 | 12/24 Vd.c. | 1 ÷ 4.2 | 22 ÷ 50 | 18 ÷ 40 | 125 |
| D07AA | 70x70x25 | 12/24 Vd.c. | 1.9 ÷ 3.1 | 55 ÷ 61 | 32 ÷ 36 | 126 |
| D08FA | 80x80x15 | 5/12/24 Vd.c. | 0.4 ÷ 3.1 | 37 ÷ 51 | 26 ÷ 31 | 127 |
| D08DA | 80x80x20 | 12/24 Vd.c. | 1.9 ÷ 3.6 | 40 ÷ 49 | 27 ÷ 35 | 128 |
| D08AA | 80x80x25 | 24/48 Vd.c. | 2.2 ÷ 6.2 | 40 ÷ 89 | 23 ÷ 41 | 129 |
| D09DA | 92x92x20 | 12/24 Vd.c. | 1.9 ÷ 3.4 | 49 ÷ 56 | 29 ÷ 33 | 130 |
| D09AZ | 92x92x25 | 12/24 Vd.c. | 1.1 ÷ 5 | 51 ÷ 105 | 19 ÷ 42 | 131 |
| D09BZ | 92x92x38 | 24 Vd.c. | 13.2 ÷ 13.2 | 185 ÷ 185 | 53 ÷ 53 | 132 |

| PRODUCTS OVERVIEW | | | | | | |
|-------------------|------------|----------------|-------------|-------------------|---------|------|
| Model | Dimensions | Voltage | Rated Power | Air Flow | Noise | Page |
| | mm | V | W | m ³ /h | dB(A) | |
| D12AZ | 120x120x25 | 12/24/48 Vd.c. | 2.9 ÷ 6 | 122 ÷ 168 | 34 ÷ 43 | 133 |
| D12GA | 120x120x32 | 24 Vd.c. | 6 ÷ 6 | 190 ÷ 190 | 43 ÷ 43 | 134 |
| D12BA9 | 120x120x38 | 24 Vd.c. | 7 ÷ 24 | 220 ÷ 340 | 49 ÷ 61 | 135 |
| D17CA | 172x150x51 | 24/48 Vd.c. | 24 ÷ 24 | 450 ÷ 450 | 59 ÷ 60 | 136 |
| DC6GA | 75x75x30 | 12/24 Vd.c. | 2.4 ÷ 3.6 | 13 ÷ 18 | 35 ÷ 39 | 137 |
| DC1GA | 120x120x31 | 24 Vd.c. | 9.4 ÷ 9.4 | 48 ÷ 48 | 49 ÷ 49 | 138 |
| SPECIAL FANS | | | | | | |
| A06 IP55 | 60x60x30 | 230 Va.c. | 4 ÷ 5 | 14 ÷ 17 | 27 ÷ 28 | 142 |
| A08 IP55 | 80x80x38 | 115/230 Va.c. | 12 ÷ 14 | 41 ÷ 51 | 32 ÷ 36 | 142 |
| A09 IP55 | 92x92x25 | 230 Va.c. | 14 ÷ 16 | 56 ÷ 68 | 32 ÷ 36 | 142 |
| A12 IP55 | 120x120x38 | 115/230 Va.c. | 5.5 ÷ 20 | 78 ÷ 182 | 27 ÷ 49 | 142 |
| A12W/Z IP55 | ø113x38 | 230 Va.c. | 18 ÷ 22 | 140 ÷ 200 | 42 ÷ 50 | 142 |
| A17 IP55 | 172x150x55 | 115/230 Va.c. | 42 ÷ 42 | 332 ÷ 391 | 49 ÷ 53 | 142 |
| E12BL IP55 | 120x120x38 | 230 Va.c. | 6 ÷ 7 | 190 ÷ 200 | 45 ÷ 47 | 143 |
| D04D IP55 | 40x40x20 | 24 Vd.c. | 2.2 ÷ 2.2 | 15 ÷ 15 | 36 ÷ 36 | 144 |
| D04E IP55 | 40x40x10 | 24 Vd.c. | 1.9 ÷ 1.9 | 8.5 ÷ 8.5 | 22 ÷ 22 | 144 |
| D06 IP55 | 60x60x25 | 12/24 Vd.c. | 0.96 ÷ 3.8 | 24 ÷ 36 | 18 ÷ 38 | 144 |
| D07 IP55 | 70x70x25 | 12 Vd.c. | 2.3 ÷ 2.3 | 61 ÷ 61 | 36 ÷ 36 | 144 |
| D08 IP55 | 80x80x25 | 12/24 Vd.c. | 1.4 ÷ 6.2 | 44 ÷ 87 | 23 ÷ 41 | 144 |
| D09 IP55 | 92x92x25 | 24 Vd.c. | 3.6 ÷ 3.6 | 95 ÷ 95 | 38 ÷ 38 | 144 |
| D12A IP55 | 120x120x25 | 24 Vd.c. | 4.6 ÷ 4.6 | 150 ÷ 150 | 39 ÷ 39 | 144 |
| D12B IP55 | 120x120x38 | 12/24/48 Vd.c. | 6 ÷ 9.6 | 179 ÷ 179 | 47 ÷ 47 | 144 |
| A09BM | 92x92x38 | 115/230 Va.c. | 11 ÷ 12 | 75 ÷ 87 | 37 ÷ 42 | 145 |
| A12BM | 120x120x38 | 115/230 Va.c. | 15 ÷ 17 | 107 ÷ 175 | 33 ÷ 46 | 145 |
| A17MM | 172x150x55 | 115/230 Va.c. | 42 ÷ 42 | 332 ÷ 391 | 49 ÷ 53 | 145 |
| A17TM | 172x150x55 | 115/230 Va.c. | 45 ÷ 45 | 383 ÷ 434 | 58 ÷ 61 | 145 |
| A09BMT | 92x92x38 | 115/230 Va.c. | 11 ÷ 12 | 75 ÷ 87 | 37 ÷ 42 | 146 |
| A12BMT | 120x120x38 | 115/230 Va.c. | 15 ÷ 17 | 110 ÷ 175 | 33 ÷ 46 | 146 |
| A17MMT | 172x150x55 | 115/230 Va.c. | 42 ÷ 42 | 332 ÷ 391 | 49 ÷ 53 | 146 |
| A17TMT | 172x150x55 | 115/230 Va.c. | 45 ÷ 45 | 383 ÷ 434 | 58 ÷ 61 | 146 |



General specifications

- Casing in black die cast aluminum alloy
- Impeller in fibreglass reinforced PBT PC
- Shaded pole motor
- Impedance protected motor
- Electrical connection: 2 leads
- UL approval according to UL 507

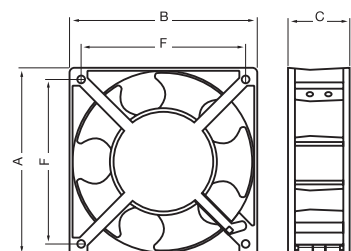


Technical data

| Model | Dimensions AxBxC | Holes (F) | Bearing | Rated Voltage | Freq. | Rated power | Max air flow | Static Pressure | Noise | Rated Speed | Approvals |
|--------------|---------------------|--------------|---------|------------------|-------|----------------|-------------------|--------------------|-----------|----------------|------------|
| | mm | mm | | V | Hz | W | m ³ /h | Pa | dB(A) | Rpm | |
| A06G12HWBF00 | 60x60x30 | 50 | Ball | 115 V a.c. | 50/60 | 5.0/4.0 | 14/17 | 18/27 | 27.0/28.0 | 2,200/2,800 | CE; cURus; |
| A06G23HWBF00 | 60x60x30 | 50 | Ball | 230 V a.c. | 50/60 | 5.0/4.0 | 14/17 | 17/27 | 27.0/28.0 | 2,400/3,000 | CE; cURus; |

Technical specifications

Technical drawing





General specifications

- Casing in black die cast aluminum alloy
- Impeller in fibreglass reinforced PBT PC
- Shaded pole motor
- Impedance protected motor
- Electrical connection: 2 leads
- UL approval according to UL 507

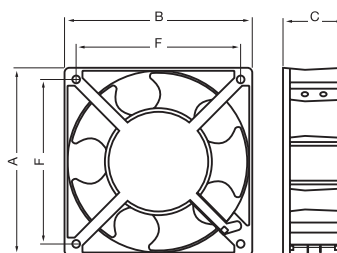


Technical data

| Model | Dimensions AxBxC | Holes (F) | Bearing | Rated Voltage | Freq. | Rated power | Max air flow | Static Pressure | Noise | Rated Speed | Approvals |
|--------------|---------------------|--------------|---------|------------------|-------|----------------|-------------------|--------------------|-----------|----------------|------------|
| | mm | mm | | V | Hz | W | m ³ /h | Pa | dB(A) | Rpm | |
| A08A12HWBF00 | 80x80x25 | 71.5 | Ball | 115 V a.c. | 50/60 | 14/11 | 36/41 | 40/55 | 32.0/35.0 | 2,600/3,100 | CE; cURus; |
| A08A12HWSF00 | 80x80x25 | 71.5 | Sleeve | 115 V a.c. | 50/60 | 14/11 | 36/41 | 40/55 | 32.0/35.0 | 2,600/3,100 | CE; cURus; |
| A08A23HWBF00 | 80x80x25 | 71.5 | Ball | 230 V a.c. | 50/60 | 16/14 | 36/41 | 40/55 | 32.0/35.0 | 2,600/3,100 | CE; UR; |
| A08A23HWSF00 | 80x80x25 | 71.5 | Sleeve | 230 V a.c. | 50/60 | 16/14 | 36/41 | 40/55 | 32.0/35.0 | 2,600/3,100 | CE; UR; |

Technical specifications

Technical drawing



General specifications



- Casing in black die cast aluminum alloy
- Impeller in fibreglass reinforced PBT PC
- Shaded pole motor
- Impedance protected motor
- Electrical connection: 2 leads
- UL approval according to UL 507

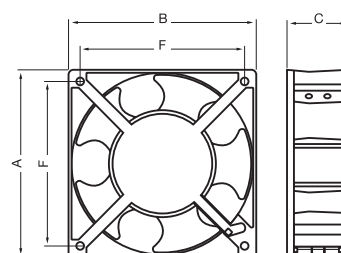


Technical data

| Model | Dimensions AxBxC | Holes (F) | Bearing | Rated Voltage | Freq. | Rated power | Max air flow | Static Pressure | Noise | Rated Speed | Approvals |
|--------------|---------------------|--------------|---------|------------------|-------|----------------|-------------------|--------------------|-----------|----------------|------------|
| | mm | mm | | V | Hz | W | m ³ /h | Pa | dB(A) | Rpm | |
| A08B12HWBF00 | 80x80x38 | 71.5 | Ball | 115 V a.c. | 50/60 | 14/12 | 41/51 | 40/55 | 32.0/36.0 | 2,500/3,000 | CE; cURus; |
| A08B12HWSF00 | 80x80x38 | 71.5 | Sleeve | 115 V a.c. | 50/60 | 14/12 | 41/51 | 40/55 | 32.0/36.0 | 2,500/3,000 | CE; cURus; |
| A08B12LWBF00 | 80x80x38 | 71.5 | Ball | 115 V a.c. | 50/60 | 12/9.0 | 33/42 | 25/40 | 28.0/32.0 | 1,900/2,400 | CE; cURus; |
| A08B12LWSF00 | 80x80x38 | 71.5 | Sleeve | 115 V a.c. | 50/60 | 12/9.0 | 33/42 | 25/40 | 28.0/32.0 | 1,900/2,400 | CE; cURus; |
| A08B23HWBF00 | 80x80x38 | 71.5 | Ball | 230 V a.c. | 50/60 | 14/12 | 41/51 | 40/55 | 32.0/36.0 | 2,500/3,000 | CE; UR; |
| A08B23HWSF00 | 80x80x38 | 71.5 | Sleeve | 230 V a.c. | 50/60 | 14/12 | 41/51 | 40/55 | 32.0/36.0 | 2,500/3,000 | CE; UR; |
| A08B23LWBF00 | 80x80x38 | 71.5 | Ball | 230 V a.c. | 50/60 | 14/12 | 33/42 | 25/40 | 28.0/32.0 | 1,900/2,400 | CE; UR; |
| A08B23LWSF00 | 80x80x38 | 71.5 | Sleeve | 230 V a.c. | 50/60 | 14/12 | 33/42 | 25/40 | 28.0/32.0 | 1,900/2,400 | CE; UR; |

Technical specifications

Technical drawing



General specifications



- Casing in black die cast aluminum alloy
- Impeller in fibreglass reinforced PBT PC
- Shaded pole motor
- Impedance protected motor
- Electrical connection: flat terminals
- UL approval according to UL 507

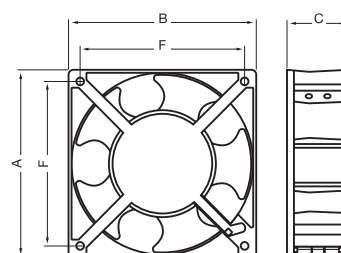


Technical data

| Model | Dimensions AxBxC | Holes (F) | Bearing | Rated Voltage | Freq. | Rated power | Max air flow | Static Pressure | Noise | Rated Speed | Approvals |
|--------------|---------------------|--------------|---------|------------------|-------|----------------|-------------------|--------------------|-----------|----------------|------------|
| | mm | mm | | V | Hz | W | m ³ /h | Pa | dB(A) | Rpm | |
| A09A12HTBF00 | 92x92x25 | 82.5 | Ball | 115 V a.c. | 50/60 | 14/11 | 56/68 | 37/54 | 32.0/36.0 | 2,500/3,000 | CE; cURus; |
| A09A12HTSF00 | 92x92x25 | 82.5 | Sleeve | 115 V a.c. | 50/60 | 14/11 | 56/68 | 37/54 | 32.0/36.0 | 2,500/3,000 | CE; cURus; |
| A09A23HTBF00 | 92x92x25 | 82.5 | Ball | 230 V a.c. | 50/60 | 16/14 | 56/68 | 37/54 | 32.0/36.0 | 2,500/3,000 | CE; UR; |
| A09A23HTSF00 | 92x92x25 | 82.5 | Sleeve | 230 V a.c. | 50/60 | 16/14 | 56/68 | 37/54 | 32.0/36.0 | 2,500/3,000 | CE; UR; |
| A09A23LTBF00 | 92x92x25 | 82.5 | Ball | 230 V a.c. | 50/60 | 16/14 | 39/53 | 17/32 | 28.0/32.0 | 1,800/2,300 | CE; |
| A09A23LTSF00 | 92x92x25 | 82.5 | Sleeve | 230 V a.c. | 50/60 | 16/14 | 39/53 | 17/32 | 28.0/32.0 | 1,800/2,300 | CE; cURus; |
| A09A23MTBF00 | 92x92x25 | 82.5 | Ball | 230 V a.c. | 50/60 | 16/14 | 51/63 | 30/45 | 28.0/32.0 | 2,200/2,750 | CE; UR; |
| A09A23MTSF00 | 92x92x25 | 82.5 | Sleeve | 230 V a.c. | 50/60 | 16/14 | 51/63 | 30/45 | 28.0/32.0 | 2,200/2,750 | CE; UR; |

Technical specifications

Technical drawing



General specifications



- Casing in black die cast aluminum alloy
- Impeller in fibreglass reinforced PBT PC
- Shaded pole motor
- Impedance protected motor
- Electrical connection: flat terminals
- UL approval according to UL 507

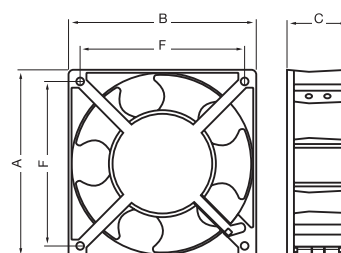


Technical data

| Model | Dimensions AxBxC | Holes (F) | Bearing | Rated Voltage | Freq. | Rated power | Max air flow | Static Pressure | Noise | Rated Speed | Approvals |
|--------------|---------------------|--------------|---------|------------------|-------|----------------|-------------------|--------------------|-----------|----------------|------------|
| | mm | mm | | V | Hz | W | m ³ /h | Pa | dB(A) | Rpm | |
| A12A12HTBF00 | 120x120x25 | 104.8 | Ball | 115 V a.c. | 50/60 | 14/11 | 99/117 | 42/40 | 38.0/42.0 | 2,400/2,900 | CE; cURus; |
| A12A12HTSF00 | 120x120x25 | 104.8 | Sleeve | 115 V a.c. | 50/60 | 14/11 | 99/117 | 42/40 | 38.0/42.0 | 2,400/2,900 | CE; cURus; |
| A12A12MTBF00 | 120x120x25 | 104.8 | Ball | 115 V a.c. | 50/60 | 14/11 | 87/105 | 27/32 | 33.0/35.0 | 2,050/2,500 | CE; cURus; |
| A12A12MTSF00 | 120x120x25 | 104.8 | Sleeve | 115 V a.c. | 50/60 | 14/11 | 87/105 | 27/32 | 33.0/35.0 | 2,050/2,500 | CE; cURus; |
| A12A23HTBF00 | 120x120x25 | 104.8 | Ball | 230 V a.c. | 50/60 | 16/14 | 109/127 | 52/52 | 38.0/42.0 | 2,400/2,900 | CE; UR; |
| A12A23HTSF00 | 120x120x25 | 104.8 | Sleeve | 230 V a.c. | 50/60 | 16/14 | 109/127 | 52/52 | 38.0/42.0 | 2,400/2,900 | CE; UR; |
| A12A23MTBF00 | 120x120x25 | 104.8 | Ball | 230 V a.c. | 50/60 | 16/14 | 87/102 | 27/32 | 34.0/36.0 | 2,000/2,400 | CE; UR; |
| A12A23MTSF00 | 120x120x25 | 104.8 | Sleeve | 230 V a.c. | 50/60 | 16/14 | 87/102 | 27/32 | 34.0/36.0 | 2,000/2,400 | CE; UR; |

Technical specifications

Technical drawing





General specifications

- Casing in black die cast aluminum alloy
- Impeller in fibreglass reinforced PBT PC
- Shaded pole motor
- Impedance protected motor
- Electrical connection: flat terminals
- UL approval according to UL 507
- VDE Reg. No. A634

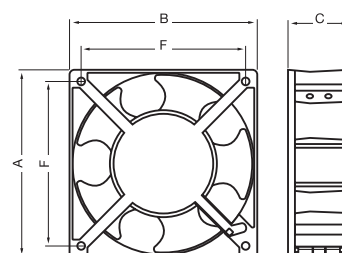


Technical data

| Model | Dimensions AxBxC | Holes (F) | Bearing | Rated Voltage | Freq. | Rated power | Max air flow | Static Pressure | Noise | Rated Speed | Approvals |
|--------------|---------------------|--------------|---------|------------------|-------|----------------|-------------------|--------------------|-----------|----------------|-----------------|
| | mm | mm | | V | Hz | W | m ³ /h | Pa | dB(A) | Rpm | |
| A12B05HTBW00 | 120x120x38 | 104.8 | Ball | 24 V a.c. | 50/60 | 14/14 | 154/165 | 62/77 | 46.0/49.0 | 2,650/2,850 | CE; |
| A12B05HTSW00 | 120x120x38 | 104.8 | Sleeve | 24 V a.c. | 50/60 | 13.2/13.2 | 147/142 | 55/50 | 46.0/45.0 | 2,530/2,430 | CE; |
| A12B12HTBW00 | 120x120x38 | 104.8 | Ball | 115 V a.c. | 50/60 | 20/18 | 136/168 | 57/80 | 46.0/49.0 | 2,750/3,050 | CE; cURus; VDE; |
| A12B12HTSW00 | 120x120x38 | 104.8 | Sleeve | 115 V a.c. | 50/60 | 20/18 | 136/168 | 57/80 | 46.0/49.0 | 2,750/3,050 | CE; cURus; VDE; |
| A12B12LTBW00 | 120x120x38 | 104.8 | Ball | 115 V a.c. | 50/60 | 11/11 | 122/113 | 25/22 | 42.0/40.0 | 2,300/2,100 | CE; cURus; VDE; |
| A12B12LTSW00 | 120x120x38 | 104.8 | Sleeve | 115 V a.c. | 50/60 | 11/11 | 122/113 | 25/22 | 42.0/40.0 | 2,300/2,100 | CE; cURus; VDE; |
| A12B12MTBW00 | 120x120x38 | 104.8 | Ball | 115 V a.c. | 50/60 | 16/15 | 136/143 | 52/62 | 44.0/46.0 | 2,500/2,700 | CE; cURus; VDE; |
| A12B12MTSW00 | 120x120x38 | 104.8 | Sleeve | 115 V a.c. | 50/60 | 16/15 | 126/133 | 52/62 | 44.0/46.0 | 2,500/2,700 | CE; cURus; VDE; |
| A12B12STBW00 | 120x120x38 | 104.8 | Ball | 115 V a.c. | 50/60 | 22/20 | 161/195 | 82/95 | 45.0/50.0 | 2,700/3,100 | CE; cURus; VDE; |
| A12B12STSW00 | 120x120x38 | 104.8 | Sleeve | 115 V a.c. | 50/60 | 22/23.8 | 161/195 | 82/95 | 45.0/50.0 | 2,700/3,100 | CE; cURus; VDE; |
| A12B23ETSW00 | 120x120x38 | 104.8 | Sleeve | 230 V a.c. | 50/60 | 6.5/6.0 | 85/83 | 19/16 | 29.0/28.0 | 1,500/1,450 | CE; VDE; |
| A12B23HTBW00 | 120x120x38 | 104.8 | Ball | 230 V a.c. | 50/60 | 20/19 | 148/182 | 65/80 | 46.0/49.0 | 2,750/3,050 | CE; cURus; VDE; |
| A12B23HTSW00 | 120x120x38 | 104.8 | Sleeve | 230 V a.c. | 50/60 | 20/19 | 148/182 | 65/80 | 46.0/49.0 | 2,750/3,050 | CE; cURus; VDE; |
| A12B23LTBW00 | 120x120x38 | 104.8 | Ball | 230 V a.c. | 50/60 | 11/10 | 114/102 | 27/22 | 43.0/42.0 | 2,200/1,800 | CE; cURus; VDE; |
| A12B23LTSW00 | 120x120x38 | 104.8 | Sleeve | 230 V a.c. | 50/60 | 11/10 | 114/102 | 27/22 | 43.0/42.0 | 2,200/1,800 | CE; cURus; VDE; |
| A12B23MTBW00 | 120x120x38 | 104.8 | Ball | 230 V a.c. | 50/60 | 16/15 | 133/143 | 35/52 | 43.0/45.0 | 2,400/2,600 | CE; cURus; VDE; |
| A12B23MTSW00 | 120x120x38 | 104.8 | Sleeve | 230 V a.c. | 50/60 | 16/15 | 133/143 | 35/52 | 43.0/45.0 | 2,400/2,600 | CE; cURus; VDE; |
| A12B23STBW00 | 120x120x38 | 104.8 | Ball | 230 V a.c. | 50/60 | 22/21 | 143/199 | 62/97 | 48.0/50.0 | 2,700/3,100 | CE; cURus; VDE; |
| A12B23STSW00 | 120x120x38 | 104.8 | Sleeve | 230 V a.c. | 50/60 | 22/21 | 143/199 | 62/97 | 48.0/50.0 | 2,700/3,100 | CE; cURus; VDE; |
| A12B23VTBW00 | 120x120x38 | 104.8 | Ball | 230 V a.c. | 50/60 | 10/10 | 98/105 | 28/28 | 34.0/35.0 | 1,800/1,900 | CE; VDE; |

Technical specifications

Technical drawing



General specifications



- Casing in black die cast aluminum alloy
- Impeller in fibreglass reinforced PBT PC
- Shaded pole motor
- Impedance protected motor
- Electrical connection: 2 leads
- UL approval according to UL 507
- VDE Reg. No. A634

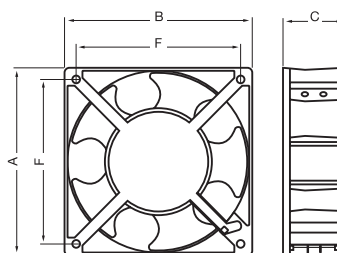


Technical data

| Model | Dimensions AxBxC | Holes (F) | Bearing | Rated Voltage | Freq. | Rated power | Max air flow | Static Pressure | Noise | Rated Speed | Approvals |
|--------------|---------------------|--------------|---------|------------------|-------|----------------|-------------------|--------------------|-----------|----------------|-----------------|
| | mm | mm | | V | Hz | W | m ³ /h | Pa | dB(A) | Rpm | |
| A12B12HWW00 | 120x120x38 | 104.8 | Ball | 115 V a.c. | 50/60 | 20/18 | 136/168 | 57/80 | 46.0/49.0 | 2,750/3,050 | CE; cURus; VDE; |
| A12B23HWW00 | 120x120x38 | 104.8 | Ball | 230 V a.c. | 50/60 | 20/19 | 148/182 | 65/80 | 46.0/49.0 | 2,750/3,050 | CE; cURus; VDE; |
| A12B23HWSW00 | 120x120x38 | 104.8 | Sleeve | 230 V a.c. | 50/60 | 20/19 | 148/182 | 65/80 | 46.0/49.0 | 2,750/3,050 | CE; cURus; VDE; |
| A12B23LWW00 | 120x120x38 | 104.8 | Ball | 230 V a.c. | 50/60 | 11/10 | 114/102 | 27/22 | 43.0/42.0 | 2,200/1,800 | CE; cURus; VDE; |
| A12B23LWSW00 | 120x120x38 | 104.8 | Sleeve | 230 V a.c. | 50/60 | 11/10 | 116/104 | 36/20 | 41.0/38.0 | 2,200/1,800 | CE; cURus; VDE; |
| A12B23MWW00 | 120x120x38 | 104.8 | Ball | 230 V a.c. | 50/60 | 16/15 | 133/143 | 35/52 | 43.0/45.0 | 2,400/2,600 | CE; cURus; VDE; |
| A12B23SWW00 | 120x120x38 | 104.8 | Ball | 230 V a.c. | 50/60 | 22/21 | 143/199 | 62/97 | 48.0/50.0 | 2,700/3,100 | CE; cURus; VDE; |

Technical specifications

Technical drawing



General specifications



- Casing in black die cast aluminum alloy
- Impeller in fibreglass reinforced PBT PC
- Shaded pole motor
- Impedance protected motor
- Electrical connection: flat terminals
- UL approval according to UL 507
- VDE Reg. No. A634

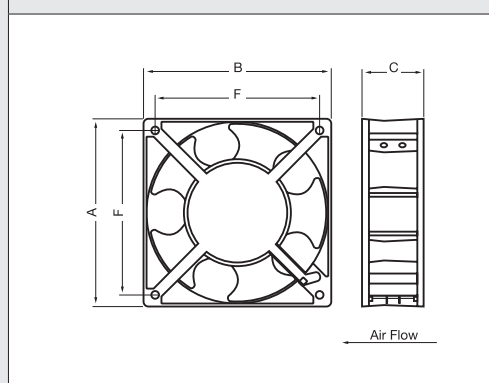


Technical data

| Model | Dimensions AxBxC | Holes (F) | Bearing | Rated Voltage | Freq. | Rated power | Max air flow | Static Pressure | Noise | Rated Speed | Approvals |
|--------------|---------------------|--------------|---------|------------------|-------|----------------|-------------------|--------------------|-----------|----------------|--------------------|
| | mm | mm | | V | Hz | W | m ³ /h | Pa | dB(A) | Rpm | |
| A12R23HTBW00 | 120x120x38 | 104.8 | Ball | 230 V a.c. | 50/60 | 20/19 | 150/167 | 66/81 | 48.0/54.0 | 2,650/3,050 | CE; cURus; VDE; |
| A12R23HTSW00 | 120x120x38 | 104.8 | Sleeve | 230 V a.c. | 50/60 | 20/19 | 150/167 | 66/81 | 48.0/54.0 | 2,650/3,050 | CE; cURus; VDE; |

Technical specifications

Technical drawing



General specifications



- Impeller in fibreglass reinforced PBT PC and housing cover in black die cast aluminum alloy
- Shaded pole motor
- Impedance protected motor
- Electrical connection: 2 leads
- UL approval according to UL 507

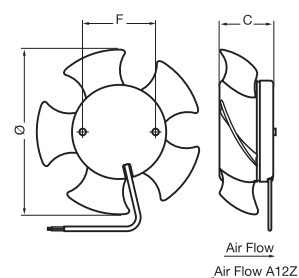


Technical data

| Model | Dimensions Ø x C | Holes (F) | Bearing | Rated Voltage | Freq. | Rated power | Max air flow | Static Pressure | Noise | Rated Speed | Approvals |
|--------------|---------------------|--------------|---------|------------------|-------|----------------|-----------------|--------------------|-----------|----------------|------------|
| | mm | mm | | V | Hz | W | m³/h | Pa | dB(A) | Rpm | |
| A12W12HNBW00 | 113x38 | 45.5 | Ball | 115 V a.c. | 50/60 | 20/18 | 150/167 | 66/81 | 43.0/48.0 | 2,650/2,950 | CE; cURus; |
| A12W23HNBW00 | 113x38 | 45.5 | Ball | 230 V a.c. | 50/60 | 20/19 | 148/182 | 65/80 | 46.0/49.0 | 2,550/2,900 | CE; cURus; |
| A12W23SNBW00 | 113x38 | 45.5 | Ball | 230 V a.c. | 50/60 | 22/21 | 165/200 | 67/94 | 48.0/50.0 | 2,700/3,100 | CE; |
| A12Z12HNBW00 | 113x38 | 45.5 | Ball | 115 V a.c. | 50/60 | 19/18 | 150/167 | 66/81 | 43.0/48.0 | 2,650/2,950 | CE; |
| A12Z12HNSW00 | 113x38 | 45.5 | Sleeve | 115 V a.c. | 50/60 | 19/18 | 150/167 | 66/81 | 43.0/48.0 | 2,650/2,950 | CE; |
| A12Z23HNBW00 | 113x38 | 45.5 | Ball | 230 V a.c. | 50/60 | 18/18 | 148/182 | 65/80 | 46.0/49.0 | 2,550/2,900 | CE; |
| A12Z23HNSW00 | 113x38 | 45.5 | Sleeve | 230 V a.c. | 50/60 | 18/18 | 148/182 | 65/80 | 46.0/49.0 | 2,550/2,900 | CE; |

Technical specifications

Technical drawing



General specifications



- Casing in black die cast aluminum alloy
- Impeller in fibreglass reinforced PBT PC
- Shaded pole motor
- Impedance protected motor
- Electrical connection: flat terminals
- UL approval according to UL 507

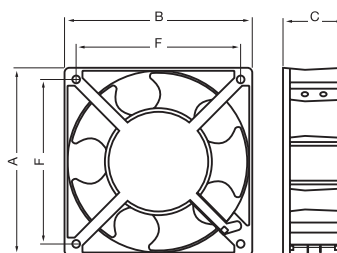


Technical data

| Model | Dimensions AxBxC | Holes (F) | Bearing | Rated Voltage | Freq. | Rated power | Max air flow | Static Pressure | Noise | Rated Speed | Approvals |
|--------------|---------------------|--------------|---------|------------------|-------|----------------|-------------------|--------------------|-----------|----------------|------------|
| | mm | mm | | V | Hz | W | m ³ /h | Pa | dB(A) | Rpm | |
| A13B12HTBF00 | 127x127x38 | 113.5 | Ball | 115 V a.c. | 50/60 | 17/15 | 174/204 | 72/28 | 46.0/50.0 | 2,700/3,000 | CE; cURus; |
| A13B23HTBF00 | 127x127x38 | 113.5 | Ball | 230 V a.c. | 50/60 | 17/15 | 174/204 | 72/28 | 46.0/50.0 | 2,700/3,000 | CE; cURus; |

Technical specifications

Technical drawing





General specifications

- Casing in black die cast aluminum alloy
- Impeller in fibreglass reinforced PBT PC
- Shaded pole motor
- Thermally protected motor
- Electrical connection: 2 leads
- UL approval according to UL 507

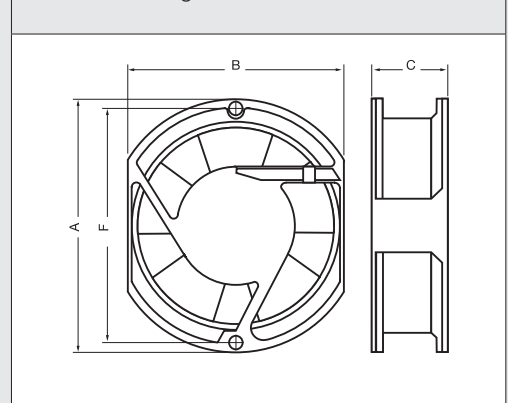


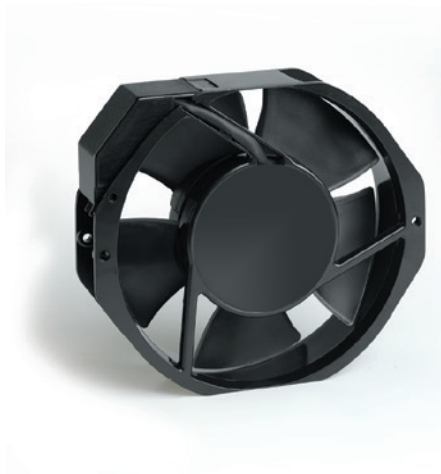
Technical data

| Model | Dimensions AxBxC | Holes (F) | Bearing | Rated Voltage | Freq. | Rated power | Max air flow | Static Pressure | Noise | Rated Speed | Approvals |
|--------------|---------------------|--------------|---------|------------------|-------|----------------|-----------------|--------------------|-----------|----------------|------------|
| | mm | mm | | V | Hz | W | m³/h | Pa | dB(A) | Rpm | |
| A17C12HWBF00 | 172x150x51 | 162 | Ball | 115 V a.c. | 50/60 | 32/28 | 290/331 | 105/95 | 50.0/55.0 | 2,750/3,100 | CE; cURus; |
| A17C23HWBF00 | 172x150x51 | 162 | Ball | 230 V a.c. | 50/60 | 35/30 | 290/331 | 105/95 | 50.0/55.0 | 2,750/3,100 | CE; cURus; |

Technical specifications

Technical drawing





General specifications

- Casing in black die cast aluminum alloy
- Impeller in fibreglass reinforced PBT PC
- Shaded pole motor
- Thermally protected motor
- Electrical connection: flat terminals
- UL approval according to UL 507

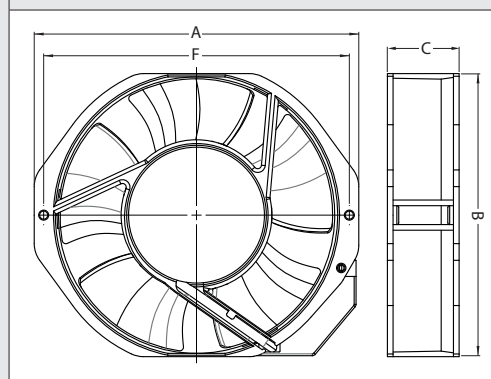


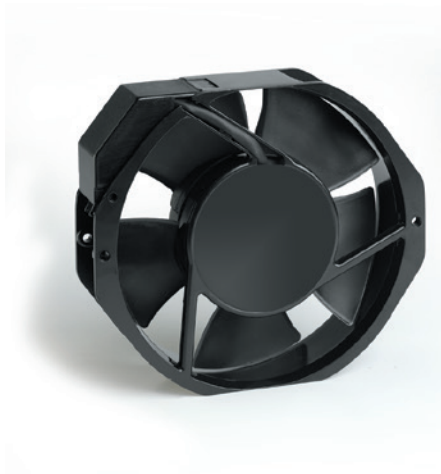
Technical data

| Model | Dimensions AxBxC | Holes (F) | Bearing | Rated Voltage | Freq. | Rated power | Max air flow | Static Pressure | Noise | Rated Speed | Approvals |
|--------------|---------------------|--------------|---------|------------------|-------|----------------|-------------------|--------------------|-----------|----------------|------------|
| | mm | mm | | V | Hz | W | m ³ /h | Pa | dB(A) | Rpm | |
| C17B12HTBF00 | 172x150x38 | 162 | Ball | 115 V a.c. | 50/60 | 29/28 | 300/360 | 167/187 | 54.0/58.0 | 2,850/3,400 | CE; cURus; |
| C17B23HTBF00 | 172x150x38 | 162 | Ball | 230 V a.c. | 50/60 | 27/26 | 300/360 | 167/187 | 54.0/58.0 | 2,850/3,400 | CE; cURus; |

Technical specifications

Technical drawing





General specifications

- Casing in black die cast aluminum alloy
- Impeller in fibreglass reinforced PBT PC
- Shaded pole motor
- Thermally protected motor
- Electrical connection: flat terminals
- UL approval according to UL 507

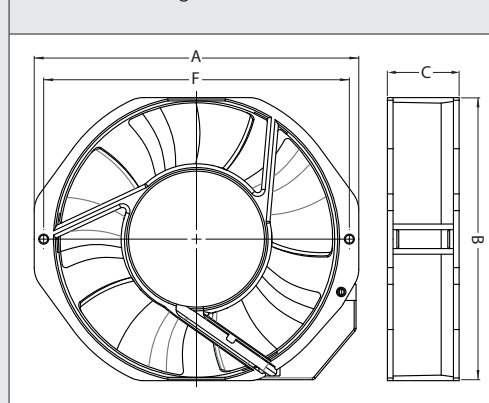


Technical data

| Model | Dimensions AxBxC | Holes (F) | Bearing | Rated Voltage | Freq. | Rated power | Max air flow | Static Pressure | Noise | Rated Speed | Approvals |
|--------------|---------------------|--------------|---------|------------------|-------|----------------|-------------------|--------------------|-----------|----------------|------------|
| | mm | mm | | V | Hz | W | m ³ /h | Pa | dB(A) | Rpm | |
| C17C12HTBF00 | 172x150x51 | 162 | Ball | 115 V a.c. | 50/60 | 31/31 | 348/384 | 157/197 | 53.0/58.0 | 2,850/3,400 | CE; cURus; |
| C17C23HTBF00 | 172x150x51 | 162 | Ball | 230 V a.c. | 50/60 | 29/29 | 348/384 | 157/197 | 53.0/58.0 | 2,850/3,400 | CE; cURus; |

Technical specifications

Technical drawing





General specifications

- Casing in black die cast aluminum alloy
- Impeller in fibreglass reinforced PBT PC
- Shaded pole motor
- Thermally protected motor
- Electrical connection: flat terminals
- UL approval according to UL 507

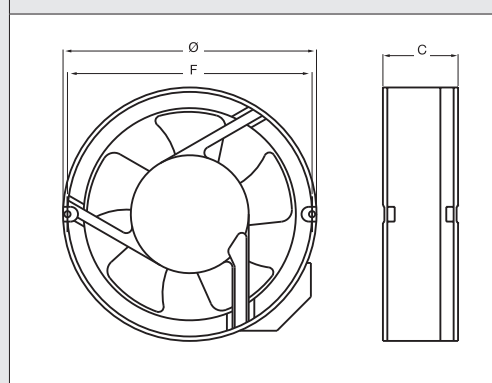


Technical data

| Model | Dimensions Ø x C | Holes (F) | Bearing | Rated Voltage | Freq. | Rated power | Max air flow | Static Pressure | Noise | Rated Speed | Approvals |
|--------------|---------------------|--------------|---------|------------------|-------|----------------|-------------------|--------------------|-----------|----------------|------------|
| | mm | mm | | V | Hz | W | m ³ /h | Pa | dB(A) | Rpm | |
| C18C12HTBF00 | 172x51 | 162 | Ball | 115 V a.c. | 50/60 | 31/31 | 348/384 | 157/197 | 50.0/55.0 | 2,850/3,400 | CE; cURus; |
| C18C23HTBF00 | 172x51 | 162 | Ball | 230 V a.c. | 50/60 | 29/29 | 348/384 | 157/197 | 50.0/55.0 | 2,850/3,400 | CE; cURus; |

Technical specifications

Technical drawing





General specifications

- Casing in die cast aluminum alloy
- Impeller in fibreglass reinforced PA 6/6
- External rotor fan
- Thermally protected motor
- Electrical connection: 4-poles terminal block

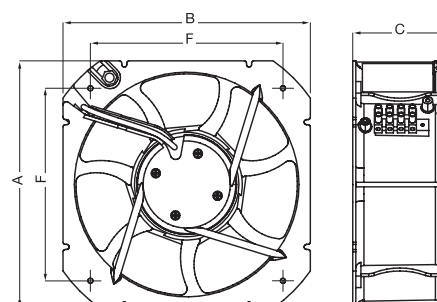


Technical data

| Model | Dimensions AxBxC | Holes (F) | Bearing | Rated Voltage | Freq. | Rated power | Max air flow | Static Pressure | Noise | Rated Speed | Approvals |
|--------------|---------------------|--------------|---------|------------------|-------|----------------|-------------------|--------------------|-----------|----------------|-----------|
| | mm | mm | | V | Hz | W | m ³ /h | Pa | dB(A) | Rpm | |
| C22S12HKBD00 | 218x218x83 | 170 | Ball | 115 V a.c. | 50/60 | 79/96 | 855/930 | 190/201 | 64.6/67.4 | 2,490/2,760 | CE; |
| C22S23HKBD00 | 218x218x83 | 170 | Ball | 230 V a.c. | 50/60 | 78/94 | 855/930 | 197/211 | 65.0/68.0 | 2,490/2,750 | CE; |
| C22S40HKBD00 | 218x218x83 | 170 | Ball | 400 V a.c. | 50 | 174 | 970 | 265 | 61.0 | 2,770 | CE; |

Technical specifications

Technical drawing





General specifications

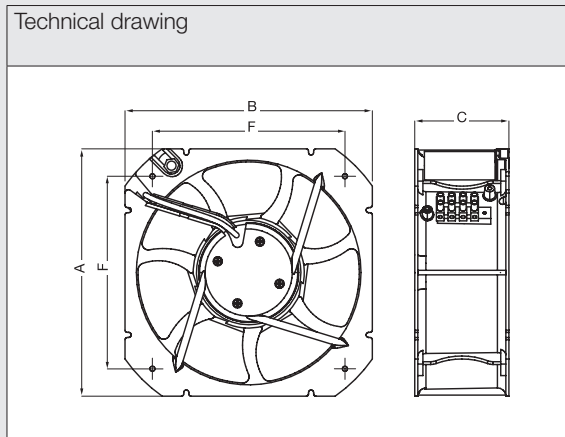
- Casing in die cast aluminum alloy
- Impeller in fibreglass reinforced PA 6/6
- External rotor fan
- Thermally protected motor
- Electrical connection: 4-poles terminal block
- UL approval according to UL 507



Technical data

| Model | Dimensions AxBxC | Holes (F) | Bearing | Rated Voltage | Freq. | Rated power | Max air flow | Static Pressure | Noise | Rated Speed | Approvals |
|--------------|---------------------|--------------|---------|------------------|-------|----------------|-------------------|--------------------|-----------|----------------|------------|
| | mm | mm | | V | Hz | W | m ³ /h | Pa | dB(A) | Rpm | |
| C22S12HKBU00 | 218x218x83 | 170 | Ball | 115 V a.c. | 50/60 | 68/70 | 800/895 | 163/175 | 64.6/67.4 | 2,193/2,377 | CE; cURus; |
| C22S23HKBU00 | 218x218x83 | 170 | Ball | 230 V a.c. | 50/60 | 70/85 | 837/937 | 173/192 | 65.0/68.0 | 2,232/2,461 | CE; cURus; |

Technical specifications



General specifications



- Casing in die cast aluminum alloy
- Impeller in black painted steel
- External rotor fan
- Thermally protected motor
- Electrical connection: 4-poles terminal block

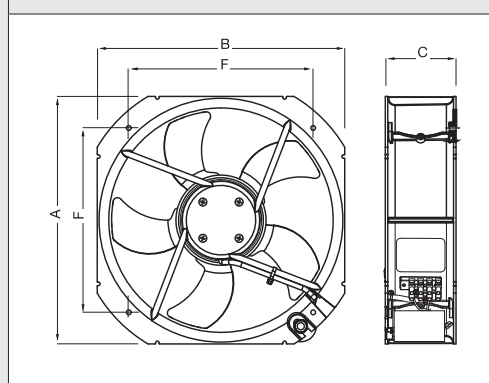


Technical data

| Model | Dimensions AxBxC | Holes (F) | Bearing | Rated Voltage | Freq. | Rated power | Max air flow | Static Pressure | Noise | Rated Speed | Approvals |
|--------------|---------------------|--------------|---------|------------------|-------|----------------|-------------------|--------------------|-----------|----------------|-----------|
| | mm | mm | | V | Hz | W | m ³ /h | Pa | dB(A) | Rpm | |
| C25S12HKBE00 | 280x280x80 | 208.6 | Ball | 115 V a.c. | 50/60 | 107/138 | 1,680/1,920 | 299/270 | 64.6/67.4 | 2,730/3,170 | CE; |
| C25S23HKBE00 | 280x280x80 | 208.6 | Ball | 230 V a.c. | 50/60 | 101/127 | 1,630/1,865 | 280/280 | 67.0/70.0 | 2,735/3,150 | CE; |
| C25S40HKBE00 | 280x280x80 | 208.6 | Ball | 400 V 3 ~ | 50/60 | 86/117 | 1,540/1,680 | 280/275 | 67.0/69.0 | 2,635/2,840 | CE; |

Technical specifications

Technical drawing





General specifications

- Casing in die cast aluminum alloy
- Impeller in black painted steel
- External rotor fan
- Thermally protected motor
- Electrical connection: 4-poles terminal block

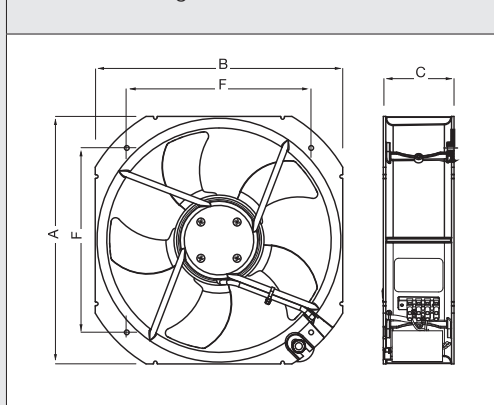


Technical data

| Model | Dimensions AxBxC | Holes (F) | Bearing | Rated Voltage | Freq. | Rated power | Max air flow | Static Pressure | Noise | Rated Speed | Approvals |
|--------------|---------------------|--------------|---------|------------------|-------|----------------|-------------------|--------------------|-----------|----------------|-----------|
| | mm | mm | | V | Hz | W | m ³ /h | Pa | dB(A) | Rpm | |
| C25S23HKBE01 | 280x280x80 | 208.6 | Ball | 230 V a.c. | 50/60 | 104/135 | 1,660/1,835 | 250/220 | 67.8/72.0 | 2,725/3,105 | CE; |

Technical specifications

Technical drawing



General specifications



- Casing in die cast aluminum alloy
- Impeller in black painted steel
- External rotor fan
- Thermally protected motor
- Electrical connection: 4-poles terminal block
- UL approval according to UL 507

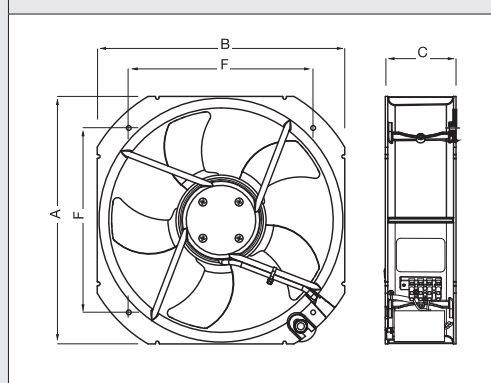


Technical data

| Model | Dimensions AxBxC | Holes (F) | Bearing | Rated Voltage | Freq. | Rated power | Max air flow | Static Pressure | Noise | Rated Speed | Approvals |
|--------------|---------------------|--------------|---------|------------------|-------|----------------|-------------------|--------------------|-----------|----------------|------------|
| | mm | mm | | V | Hz | W | m ³ /h | Pa | dB(A) | Rpm | |
| C25S12HKBU00 | 280x280x80 | 208.6 | Ball | 115 V a.c. | 50/60 | 150/170 | 1,450/1,680 | 255/240 | 67.8/72.0 | 2,675/3,040 | CE; cURus; |
| C25S23HKBU00 | 280x280x80 | 208.6 | Ball | 230 V a.c. | 50/60 | 130/150 | 1,660/1,835 | 250/220 | 67.8/72.0 | 2,725/3,105 | CE; cURus; |

Technical specifications

Technical drawing





General specifications

- Fan filter kit composed by metal fan guard, a.c. fan, mounting frame, fiberglass net, cover and hardware
- Casing in die cast aluminum alloy
- Impeller in black fiberglass reinforced PBT
- Shaded pole motor
- Impedance protected motor
- Electrical connection: flat terminals

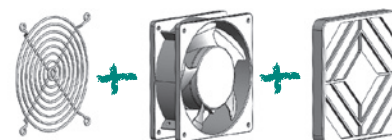


Technical data

| Model | Dimensions AxBxC | Holes (F) | Bearing | Rated Voltage | Freq. | Rated power | Max air flow | Static Pressure | Noise | Rated Speed | Approvals |
|----------------|---------------------|--------------|---------|------------------|-------|----------------|-------------------|--------------------|-----------|----------------|-----------|
| | mm | mm | | V | Hz | W | m ³ /h | Pa | dB(A) | Rpm | |
| A12B23MTBAQ109 | 120x120x38 | 104.8 | Ball | 230 V a.c. | 50/60 | 14/13 | 110/115 | 56/44 | 40.0/41.0 | 2,460/2,530 | CE; |

Technical specifications

Technical drawing





General specifications

- Casing and impeller in black thermoplastic
- Brushless motor
- Impedance protected motor
- Electrical connection: 2 leads

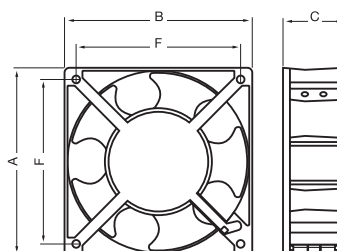


Technical data

| Model | Dimensions AxBxC | Holes (F) | Bearing | Rated Voltage | Freq. | Rated power | Max air flow | Static Pressure | Noise | Rated Speed | Approvals |
|--------------|---------------------|--------------|---------|------------------|-------|----------------|-------------------|--------------------|-----------|----------------|-----------|
| | mm | mm | | V | Hz | W | m ³ /h | Pa | dB(A) | Rpm | |
| E08B12HWBL00 | 80x80x38 | 71.5 | Ball | 115 V a.c. | 50/60 | 5.0/5.0 | 64/68,5 | 46/53 | 35.0/37.0 | 2,800/3,000 | CE; |
| E08B23HWBL00 | 80x80x38 | 71.5 | Ball | 230 V a.c. | 50/60 | 5.0/5.0 | 68/73 | 53/61 | 37.0/39.0 | 3,000/3,200 | CE; |
| E12B23HWBL00 | 120x120x38 | 104.8 | Ball | 230 V a.c. | 50/60 | 6.0/6.0 | 198/206 | 79/77 | 45.0/46.8 | 3,000/3,100 | CE; |
| E12B23LWBL00 | 120x120x38 | 104.8 | Ball | 230 V a.c. | 50/60 | 2.5/2.5 | 132/138 | 32/37 | 34.0/35.7 | 2,000/2,100 | CE; |
| E12B23MWBL00 | 120x120x38 | 104.8 | Ball | 230 V a.c. | 50/60 | 4.0/4.0 | 169/176 | 55/58 | 40.0/41.8 | 2,500/2,700 | CE; |

Technical specifications

Technical drawing





General specifications

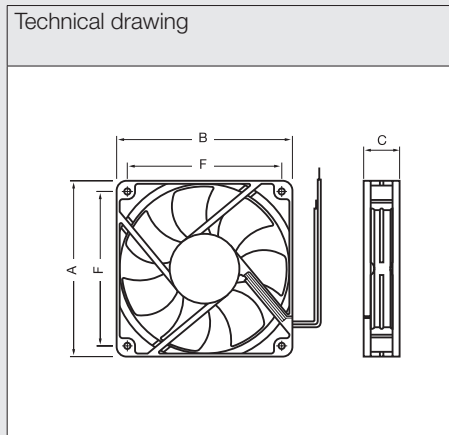
- Casing and impeller in black fiberglass reinforced PBT
- Brushless motor
- Impedance protected motor
- Electrical connection: 2 leads
- UL approval according to UL 507



Technical data

| Model | Dimensions AxBxC | Holes (F) | Bearing | Rated Voltage | Rated power | Max air flow | Static Pressure | Noise | Rated Speed | Approvals |
|--------------|---------------------|--------------|---------|------------------|----------------|-------------------|--------------------|-------|----------------|------------|
| | mm | mm | | V | W | m ³ /h | Pa | dB(A) | Rpm | |
| D20E01LWBA00 | 20x20x10 | 16 | Ball | 5 V d.c. | 0.40 | 1.0 | 12 | 20.0 | 9,000 | CE; UR; |
| D20E01MWBA00 | 20x20x10 | 16 | Ball | 5 V d.c. | 0.70 | 1.4 | 20 | 26.0 | 11,500 | CE; cURus; |
| D20E04LWBA00 | 20x20x10 | 16 | Ball | 12 V d.c. | 0.72 | 0.85 | 10 | 15.0 | 9,000 | CE; |
| D20E04MWBA00 | 20x20x10 | 16 | Ball | 12 V d.c. | 0.84 | 1.0 | 15 | 22.0 | 11,500 | CE; |

Technical specifications





General specifications

- Casing and impeller in black fiberglass reinforced PBT
- Brushless motor
- Impedance protected motor
- Electrical connection: 2 leads
- UL approval according to UL 507

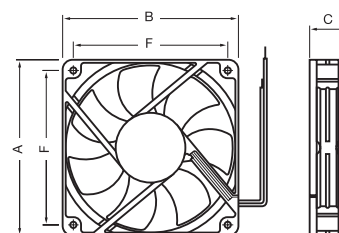


Technical data

| Model | Dimensions AxBxC | Holes (F) | Bearing | Rated Voltage | Rated power | Max air flow | Static Pressure | Noise | Rated Speed | Approvals |
|--------------|---------------------|--------------|---------|------------------|----------------|-------------------|--------------------|-------|----------------|------------|
| | mm | mm | | V | W | m ³ /h | Pa | dB(A) | Rpm | |
| D02E01HWBZ00 | 25x25x10 | 20 | Ball | 5 V d.c. | 0.70 | 4.3 | 50 | 29.0 | 12,000 | CE; cURus; |
| D02E01MWBZ00 | 25x25x10 | 20 | Ball | 5 V d.c. | 0.50 | 3.6 | 37 | 23.0 | 10,000 | CE; cURus; |
| D02E04HWBZ00 | 25x25x10 | 20 | Ball | 12 V d.c. | 1.1 | 4.3 | 50 | 29.0 | 12,000 | CE; cURus; |
| D02E04MWBZ00 | 25x25x10 | 20 | Ball | 12 V d.c. | 0.96 | 3.6 | 37 | 23.0 | 10,000 | CE; cURus; |

Technical specifications

Technical drawing





General specifications

- Casing and impeller in black fiberglass reinforced PBT
- Brushless motor
- Impedance protected motor
- Electrical connection: 2 leads
- UL approval according to UL 507

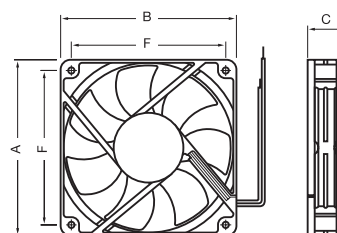


Technical data

| Model | Dimensions AxBxC | Holes (F) | Bearing | Rated Voltage | Rated power | Max air flow | Static Pressure | Noise | Rated Speed | Approvals |
|--------------|---------------------|--------------|---------|------------------|----------------|-------------------|--------------------|-------|----------------|------------|
| | mm | mm | | V | W | m ³ /h | Pa | dB(A) | Rpm | |
| D03E01LWBA00 | 30x30x10 | 24 | Ball | 5 V d.c. | 0.60 | 5.5 | 30 | 20.2 | 8,000 | CE; cURus; |
| D03E01MWBA00 | 30x30x10 | 24 | Ball | 5 V d.c. | 0.65 | 6.4 | 42 | 28.0 | 9,000 | CE; cURus; |
| D03E04LWBA00 | 30x30x10 | 24 | Ball | 12 V d.c. | 0.72 | 5.1 | 32 | 26.0 | 8,000 | CE; cURus; |
| D03E04MWBA00 | 30x30x10 | 24 | Ball | 12 V d.c. | 0.60 | 6.4 | 42 | 28.0 | 9,000 | CE; cURus; |

Technical specifications

Technical drawing





General specifications

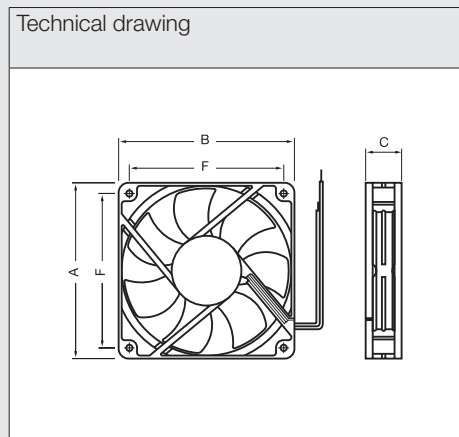
- Casing and impeller in black fiberglass reinforced PBT
- Brushless motor
- Impedance protected motor
- Electrical connection: 2 leads
- UL approval according to UL 507



Technical data

| Model | Dimensions AxBxC | Holes (F) | Bearing | Rated Voltage | Rated power | Max air flow | Static Pressure | Noise | Rated Speed | Approvals |
|--------------|---------------------|--------------|---------|------------------|----------------|-------------------|--------------------|-------|----------------|------------|
| | mm | mm | | V | W | m ³ /h | Pa | dB(A) | Rpm | |
| D04E01HWBT00 | 40x40x10 | 32 | Ball | 5 V d.c. | 0.95 | 11 | 25 | 26.0 | 6,000 | CE; cURus; |
| D04E01HWST00 | 40x40x10 | 32 | Sleeve | 5 V d.c. | 0.95 | 11 | 25 | 26.0 | 6,000 | CE; cURus; |
| D04E01MWBT00 | 40x40x10 | 32 | Ball | 5 V d.c. | 0.55 | 8.5 | 19 | 22.0 | 4,800 | CE; cURus; |
| D04E01MWST00 | 40x40x10 | 32 | Sleeve | 5 V d.c. | 0.75 | 8.5 | 19 | 22.0 | 4,800 | CE; cURus; |
| D04E04HWBT00 | 40x40x10 | 32 | Ball | 12 V d.c. | 1.2 | 11 | 25 | 26.0 | 6,000 | CE; cURus; |
| D04E04HWST00 | 40x40x10 | 32 | Sleeve | 12 V d.c. | 1.2 | 11 | 25 | 26.0 | 6,000 | CE; cURus; |
| D04E04MWBT00 | 40x40x10 | 32 | Ball | 12 V d.c. | 0.96 | 8.5 | 19 | 22.0 | 4,800 | CE; cURus; |
| D04E04MWST00 | 40x40x10 | 32 | Sleeve | 12 V d.c. | 0.96 | 8.5 | 19 | 22.0 | 4,800 | CE; cURus; |
| D04E05HWBT00 | 40x40x10 | 32 | Ball | 24 V d.c. | 2.2 | 11 | 25 | 26.0 | 6,000 | CE; cURus; |
| D04E05HWST00 | 40x40x10 | 32 | Sleeve | 24 V d.c. | 2.2 | 11 | 25 | 26.0 | 6,000 | CE; cURus; |
| D04E05MWBT00 | 40x40x10 | 32 | Ball | 24 V d.c. | 1.9 | 8.5 | 19 | 22.0 | 4,800 | CE; cURus; |
| D04E05MWST00 | 40x40x10 | 32 | Sleeve | 24 V d.c. | 1.9 | 8.5 | 19 | 22.0 | 4,800 | CE; cURus; |

Technical specifications





General specifications

- Casing and impeller in black fiberglass reinforced PBT
- Brushless motor
- Impedance protected motor
- Electrical connection: 2 leads
- UL approval according to UL 507

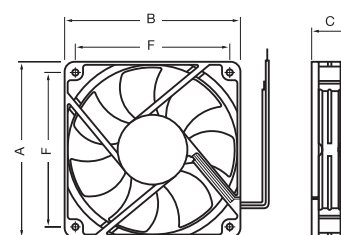


Technical data

| Model | Dimensions AxBxC | Holes (F) | Bearing | Rated Voltage | Rated power | Max air flow | Static Pressure | Noise | Rated Speed | Approvals |
|--------------|---------------------|--------------|---------|------------------|----------------|-------------------|--------------------|-------|----------------|------------|
| | mm | mm | | V | W | m ³ /h | Pa | dB(A) | Rpm | |
| D04F04HWBA00 | 40x40x15 | 32 | Ball | 12 V d.c. | 1.4 | 15 | 61 | 39.3 | 8,000 | CE; cURus; |
| D04F04HWSA00 | 40x40x15 | 32 | Sleeve | 12 V d.c. | 1.4 | 15 | 61 | 39.3 | 8,000 | CE; cURus; |
| D04F04LWBA00 | 40x40x15 | 32 | Ball | 12 V d.c. | 0.96 | 11 | 35 | 27.5 | 6,000 | CE; cURus; |
| D04F04LWSA00 | 40x40x15 | 32 | Sleeve | 12 V d.c. | 0.96 | 11 | 35 | 27.5 | 6,000 | CE; cURus; |
| D04F04MWBA00 | 40x40x15 | 32 | Ball | 12 V d.c. | 1.2 | 13 | 45 | 31.8 | 7,000 | CE; cURus; |
| D04F04MWSA00 | 40x40x15 | 32 | Sleeve | 12 V d.c. | 1.2 | 13 | 45 | 31.8 | 7,000 | CE; cURus; |

Technical specifications

Technical drawing





General specifications

- Casing and impeller in black fiberglass reinforced PBT
- Brushless motor
- Impedance protected motor
- Electrical connection: 2 leads
- UL approval according to UL 507

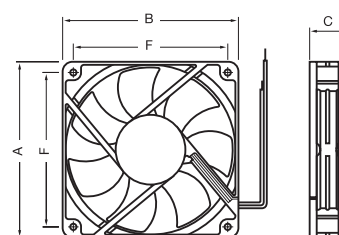


Technical data

| Model | Dimensions AxBxC | Holes (F) | Bearing | Rated Voltage | Rated power | Max air flow | Static Pressure | Noise | Rated Speed | Approvals |
|--------------|---------------------|--------------|---------|------------------|----------------|-------------------|--------------------|-------|----------------|------------|
| | mm | mm | | V | W | m ³ /h | Pa | dB(A) | Rpm | |
| D04D05HWBZ00 | 40x40x20 | 32 | Ball | 24 V d.c. | 2.2 | 15 | 70 | 36.0 | 7,800 | CE; cURus; |

Technical specifications

Technical drawing





General specifications

- Casing and impeller in black fiberglass reinforced PBT
- Brushless motor
- Impedance protected motor
- Electrical connection: 2 leads
- UL approval according to UL 507

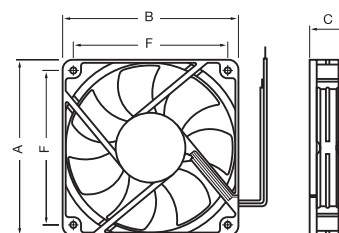


Technical data

| Model | Dimensions AxBxC | Holes (F) | Bearing | Rated Voltage | Rated power | Max air flow | Static Pressure | Noise | Rated Speed | Approvals |
|--------------|---------------------|--------------|---------|------------------|----------------|-------------------|--------------------|-------|----------------|------------|
| | mm | mm | | V | W | m ³ /h | Pa | dB(A) | Rpm | |
| D45E01HWBA00 | 45x45x10 | 37 | Ball | 5 V d.c. | 0.20 | 15 | 25 | 27.4 | 5,500 | CE; cURus; |
| D45E01HWSA00 | 45x45x10 | 37 | Sleeve | 5 V d.c. | 0.20 | 15 | 25 | 27.4 | 5,500 | CE; UR; |
| D45E01MWBA00 | 45x45x10 | 37 | Ball | 5 V d.c. | 0.30 | 12 | 18 | 22.0 | 4,500 | CE; cURus; |
| D45E01MWSA00 | 45x45x10 | 37 | Sleeve | 5 V d.c. | 0.30 | 12 | 18 | 22.0 | 4,500 | CE; UR; |
| D45E04HWBA00 | 45x45x10 | 37 | Ball | 12 V d.c. | 1.1 | 15 | 25 | 27.4 | 5,500 | CE; UR; |
| D45E04HWSA00 | 45x45x10 | 37 | Sleeve | 12 V d.c. | 1.1 | 15 | 25 | 27.4 | 5,500 | CE; UR; |
| D45E04MWBA00 | 45x45x10 | 37 | Ball | 12 V d.c. | 0.84 | 12 | 18 | 22.0 | 4,500 | CE; UR; |
| D45E04MWSA00 | 45x45x10 | 37 | Sleeve | 12 V d.c. | 0.84 | 12 | 18 | 22.0 | 4,500 | CE; UR; |

Technical specifications

Technical drawing





General specifications

- Casing and impeller in black fiberglass reinforced PBT
- Brushless motor
- Impedance protected motor
- Electrical connection: 2 leads
- UL approval according to UL 507

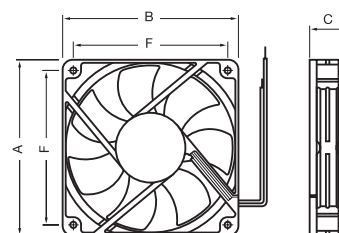


Technical data

| Model | Dimensions AxBxC | Holes (F) | Bearing | Rated Voltage | Rated power | Max air flow | Static Pressure | Noise | Rated Speed | Approvals |
|--------------|---------------------|--------------|---------|------------------|----------------|-------------------|--------------------|-------|----------------|------------|
| | mm | mm | | V | W | m ³ /h | Pa | dB(A) | Rpm | |
| D50E04LWBA00 | 50x50x10 | 40 | Ball | 12 V d.c. | 1.2 | 10 | 10 | 20.0 | 3,700 | CE; cURus; |
| D50E04LWSA00 | 50x50x10 | 40 | Sleeve | 12 V d.c. | 1.2 | 10 | 10 | 20.0 | 3,700 | CE; cURus; |
| D50E04MWBA00 | 50x50x10 | 40 | Ball | 12 V d.c. | 1.4 | 15 | 20 | 24.0 | 4,300 | CE; cURus; |
| D50E04MWSA00 | 50x50x10 | 40 | Sleeve | 12 V d.c. | 1.4 | 15 | 20 | 24.0 | 4,300 | CE; cURus; |

Technical specifications

Technical drawing





General specifications

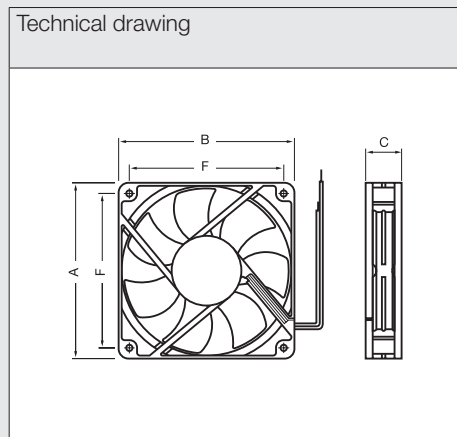
- Casing and impeller in black fiberglass reinforced PBT
- Brushless motor
- Impedance protected motor
- Electrical connection: 2 leads
- UL approval according to UL 507



Technical data

| Model | Dimensions AxBxC | Holes (F) | Bearing | Rated Voltage | Rated power | Max air flow | Static Pressure | Noise | Rated Speed | Approvals |
|--------------|---------------------|--------------|---------|------------------|----------------|-------------------|--------------------|-------|----------------|------------|
| | mm | mm | | V | W | m ³ /h | Pa | dB(A) | Rpm | |
| D50F04HWBA00 | 50x50x15 | 40 | Ball | 12 V d.c. | 1.7 | 24 | 32 | 30.2 | 4,800 | CE; cURus; |
| D50F04HWSA00 | 50x50x15 | 40 | Sleeve | 12 V d.c. | 1.7 | 24 | 32 | 34 | 4,800 | CE; cURus; |
| D50F04LWSA00 | 50x50x15 | 40 | Sleeve | 12 V d.c. | 0.96 | 19 | 17 | 25 | 3,600 | CE; cURus; |
| D50F04MWSA00 | 50x50x15 | 40 | Sleeve | 12 V d.c. | 1.2 | 22 | 25 | 30 | 4,300 | CE; cURus; |
| D50F04SWBA00 | 50x50x15 | 40 | Ball | 12 V d.c. | 2.4 | 29 | 48 | 33.8 | 5,500 | CE; cURus; |
| D50F04SWSA00 | 50x50x15 | 40 | Sleeve | 12 V d.c. | 2.4 | 29 | 48 | 33.8 | 5,500 | CE; cURus; |

Technical specifications





General specifications

- Casing and impeller in black fiberglass reinforced PBT
- Brushless motor
- Impedance protected motor
- Electrical connection: 2 leads
- UL approval according to UL 507

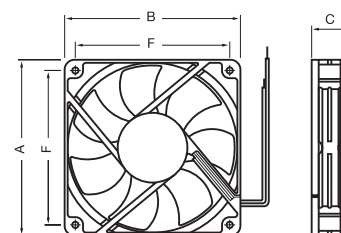


Technical data

| Model | Dimensions AxBxC | Holes (F) | Bearing | Rated Voltage | Rated power | Max air flow | Static Pressure | Noise | Rated Speed | Approvals |
|--------------|---------------------|--------------|---------|------------------|----------------|-------------------|--------------------|-------|----------------|-----------|
| | mm | mm | | V | W | m ³ /h | Pa | dB(A) | Rpm | |
| D06E01HWST00 | 60x60x10 | 50 | Sleeve | 5 V d.c. | 0.75 | 24 | 27 | 33.1 | 4,900 | CE; |
| D06E01MWBT00 | 60x60x10 | 50 | Ball | 5 V d.c. | 0.75 | 20 | 20 | 28.7 | 4,200 | CE; |
| D06E01MWST00 | 60x60x10 | 50 | Sleeve | 5 V d.c. | 0.75 | 20 | 20 | 28.7 | 4,200 | CE; |
| D06E04HWST00 | 60x60x10 | 50 | Sleeve | 12 V d.c. | 1.8 | 24 | 27 | 33.1 | 4,900 | CE; UR; |
| D06E04MWST00 | 60x60x10 | 50 | Sleeve | 12 V d.c. | 1.6 | 20 | 20 | 28.7 | 4,200 | CE; UR; |

Technical specifications

Technical drawing





General specifications

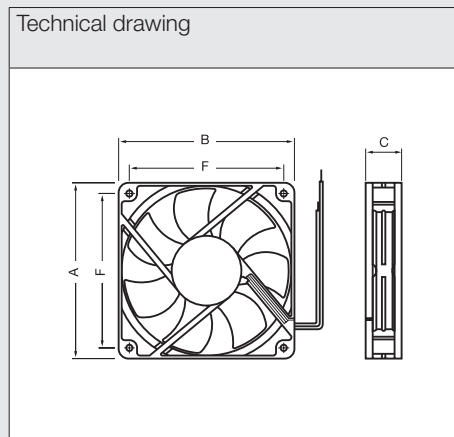
- Casing and impeller in black fiberglass reinforced PBT
- Brushless motor
- IC protected motor
- Electrical connection: 2 leads
- UL approval according to UL 507



Technical data

| Model | Dimensions AxBxC | Holes (F) | Bearing | Rated Voltage | Rated power | Max air flow | Static Pressure | Noise | Rated Speed | Approvals |
|--------------|---------------------|--------------|---------|------------------|----------------|-------------------|--------------------|-------|----------------|------------|
| | mm | mm | | V | W | m ³ /h | Pa | dB(A) | Rpm | |
| D06F01HWSA00 | 60x60x15 | 50 | Sleeve | 5 V d.c. | 1.9 | 27 | 36 | 33.4 | 4,500 | CE; UR; |
| D06F01MWBA00 | 60x60x15 | 50 | Ball | 5 V d.c. | 1.3 | 24 | 26 | 31.2 | 3,900 | CE; UR; |
| D06F01MWSA00 | 60x60x15 | 50 | Sleeve | 5 V d.c. | 1.3 | 24 | 26 | 31.2 | 3,900 | CE; UR; |
| D06F04HWSA00 | 60x60x15 | 50 | Sleeve | 12 V d.c. | 1.6 | 27 | 36 | 33.4 | 4,500 | CE; UR; |
| D06F04MWBA00 | 60x60x15 | 50 | Ball | 12 V d.c. | 1.3 | 24 | 26 | 31.2 | 3,900 | CE; cURus; |
| D06F04MWSA00 | 60x60x15 | 50 | Sleeve | 12 V d.c. | 1.3 | 24 | 26 | 31.2 | 3,900 | CE; cURus; |
| D06F05HWBA00 | 60x60x15 | 50 | Ball | 24 V d.c. | 2.2 | 26 | 28 | 35.2 | 4,500 | CE; |
| D06F05HWSA00 | 60x60x15 | 50 | Sleeve | 24 V d.c. | 2.16 | 26 | 38 | 35.2 | 4,500 | CE; cURus; |
| D06F05MWBA00 | 60x60x15 | 50 | Ball | 24 V d.c. | 1.7 | 24 | 26 | 31.2 | 3,900 | CE; |
| D06F05MWSA00 | 60x60x15 | 50 | Sleeve | 24 V d.c. | 1.7 | 24 | 26 | 31.2 | 3,900 | CE; |

Technical specifications





General specifications

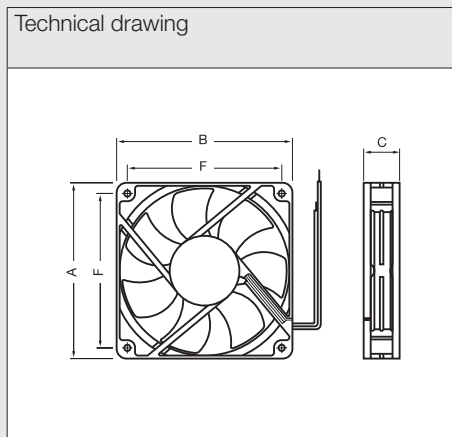
- Casing and impeller in black fiberglass reinforced PBT
- Brushless motor
- Impedance protected motor
- Electrical connection: 2 leads
- UL approval according to UL 507



Technical data

| Model | Dimensions AxBxC | Holes (F) | Bearing | Rated Voltage | Rated power | Max air flow | Static Pressure | Noise | Rated Speed | Approvals |
|--------------|---------------------|--------------|---------|------------------|----------------|-------------------|--------------------|-------|----------------|------------|
| | mm | mm | | V | W | m ³ /h | Pa | dB(A) | Rpm | |
| D06D04HWBA00 | 60x60x20 | 50 | Ball | 12 V d.c. | 1.9 | 28 | 34 | 31.0 | 4,500 | CE; UR; |
| D06D04HWSA00 | 60x60x20 | 50 | Sleeve | 12 V d.c. | 1.9 | 28 | 34 | 31.0 | 4,500 | CE; UR; |
| D06D04LWBA00 | 60x60x20 | 50 | Ball | 12 V d.c. | 0.96 | 21 | 21 | 23.5 | 3,500 | CE; UR; |
| D06D04LWSA00 | 60x60x20 | 50 | Sleeve | 12 V d.c. | 0.96 | 21 | 21 | 23.5 | 3,500 | CE; UR; |
| D06D04MWBA00 | 60x60x20 | 50 | Ball | 12 V d.c. | 1.6 | 23 | 25 | 26.4 | 3,900 | CE; UR; |
| D06D04MWSA00 | 60x60x20 | 50 | Sleeve | 12 V d.c. | 1.6 | 23 | 25 | 26.4 | 3,900 | CE; UR; |
| D06D05LWBA00 | 60x60x20 | 50 | Ball | 24 V d.c. | 1.7 | 21 | 21 | 23.5 | 3,500 | CE; cURus; |
| D06D05LWSA00 | 60x60x20 | 50 | Sleeve | 24 V d.c. | 1.7 | 21 | 21 | 23.5 | 3,500 | CE; cURus; |
| D06D05MWBA00 | 60x60x20 | 50 | Ball | 24 V d.c. | 1.9 | 23 | 25 | 26.4 | 3,900 | CE; UR; |
| D06D05MWSA00 | 60x60x20 | 50 | Sleeve | 24 V d.c. | 1.9 | 23 | 25 | 26.4 | 3,900 | CE; UR; |

Technical specifications





General specifications

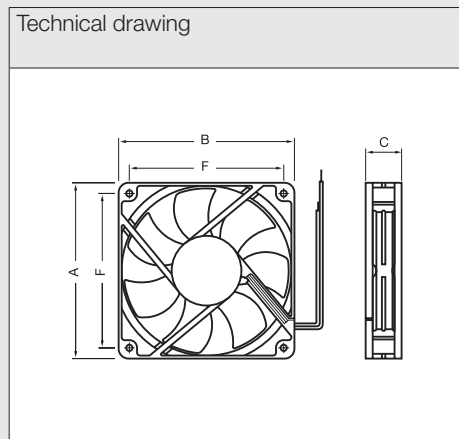
- Casing and impeller in black fiberglass reinforced PBT
- Brushless motor
- Impedance or IC protected motor
- Electrical connection: 2 leads
- UL approval according to UL 507



Technical data

| Model | Dimensions AxBxC | Holes (F) | Bearing | Rated Voltage | Rated power | Max air flow | Static Pressure | Noise | Rated Speed | Approvals |
|--------------|---------------------|--------------|---------|------------------|----------------|-----------------|--------------------|-------|----------------|------------|
| | mm | mm | | V | W | m³/h | Pa | dB(A) | Rpm | |
| D06A04HWBA00 | 60x60x25 | 50 | Ball | 12 V d.c. | 2.8 | 42 | 50 | 36.8 | 4,600 | CE; cURus; |
| D06A04HWSA00 | 60x60x25 | 50 | Sleeve | 12 V d.c. | 2.8 | 42 | 50 | 35.2 | 4,500 | CE; cURus; |
| D06A04LWBA00 | 60x60x25 | 50 | Ball | 12 V d.c. | 0.96 | 23 | 18 | 20.6 | 2,700 | CE; cURus; |
| D06A04LWSA00 | 60x60x25 | 50 | Sleeve | 12 V d.c. | 0.96 | 22 | 16 | 18.1 | 2,500 | CE; UR; |
| D06A04MWBA00 | 60x60x25 | 50 | Ball | 12 V d.c. | 1.7 | 32 | 32 | 29.8 | 3,600 | CE; UR; |
| D06A04MWSA00 | 60x60x25 | 50 | Sleeve | 12 V d.c. | 1.7 | 31 | 30 | 28.6 | 3,500 | CE; UR; |
| D06A04SWBA00 | 60x60x25 | 50 | Ball | 12 V d.c. | 3.2 | 50 | 67 | 40.5 | 5,300 | CE; cURus; |
| D06A04SWSA00 | 60x60x25 | 50 | Sleeve | 12 V d.c. | 4.2 | 46 | 57 | 40.0 | 5,000 | CE; cURus; |
| D06A05HWBA00 | 60x60x25 | 50 | Ball | 24 V d.c. | 3.6 | 42 | 50 | 35.2 | 4,500 | CE; cURus; |
| D06A05HWSA00 | 60x60x25 | 50 | Sleeve | 24 V d.c. | 3.6 | 42 | 50 | 35.2 | 4,500 | CE; cURus; |
| D06A05LWBA00 | 60x60x25 | 50 | Ball | 24 V d.c. | 1.9 | 22 | 16 | 18.1 | 2,500 | CE; UR; |
| D06A05LWSA00 | 60x60x25 | 50 | Sleeve | 24 V d.c. | 1.9 | 22 | 16 | 18.1 | 2,500 | CE; UR; |
| D06A05MWBA00 | 60x60x25 | 50 | Ball | 24 V d.c. | 1.9 | 31 | 30 | 28.6 | 3,500 | CE; UR; |
| D06A05MWSA00 | 60x60x25 | 50 | Sleeve | 24 V d.c. | 1.9 | 31 | 30 | 28.6 | 3,500 | CE; UR; |
| D06A05SWBA00 | 60x60x25 | 50 | Ball | 24 V d.c. | 3.8 | 47 | 60 | 37.6 | 5,000 | CE; cURus; |
| D06A05SWSA00 | 60x60x25 | 50 | Sleeve | 24 V d.c. | 3.8 | 47 | 60 | 37.6 | 5,000 | CE; cURus; |

Technical specifications





General specifications

- Casing and impeller in black fiberglass reinforced PBT
- Brushless motor
- Impedance protected motor
- Electrical connection: 2 leads
- UL approval according to UL 507

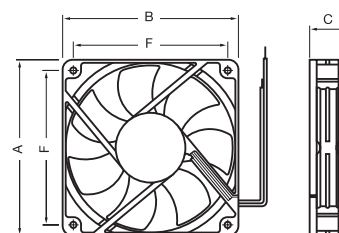


Technical data

| Model | Dimensions AxBxC | Holes (F) | Bearing | Rated Voltage | Rated power | Max air flow | Static Pressure | Noise | Rated Speed | Approvals |
|--------------|---------------------|--------------|---------|------------------|----------------|-------------------|--------------------|-------|----------------|-----------|
| | mm | mm | | V | W | m ³ /h | Pa | dB(A) | Rpm | |
| D07A04HWSA00 | 70x70x25 | 60 | Sleeve | 12 V d.c. | 2.3 | 61 | 55 | 35.5 | 4,200 | CE; UR; |
| D07A04MWBA00 | 70x70x25 | 60 | Ball | 12 V d.c. | 1.9 | 55 | 44 | 32.0 | 3,800 | CE; UR; |
| D07A04MWSA00 | 70x70x25 | 60 | Sleeve | 12 V d.c. | 1.9 | 55 | 44 | 32.0 | 3,800 | CE; UR; |
| D07A05HWBA00 | 70x70x25 | 60 | Ball | 24 V d.c. | 3.1 | 61 | 55 | 35.5 | 4,200 | CE; |
| D07A05HWSA00 | 70x70x25 | 60 | Sleeve | 24 V d.c. | 3.1 | 61 | 55 | 35.5 | 4,200 | CE; |
| D07A05MWBA00 | 70x70x25 | 60 | Ball | 24 V d.c. | 2.6 | 55 | 44 | 32.0 | 3,800 | CE; |
| D07A05MWSA00 | 70x70x25 | 60 | Sleeve | 24 V d.c. | 2.6 | 55 | 44 | 32.0 | 3,800 | CE; |

Technical specifications

Technical drawing





General specifications

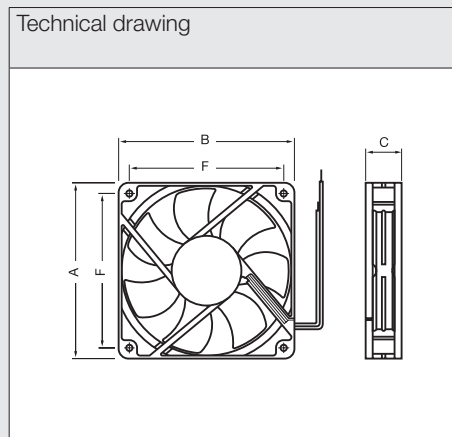
- Casing and impeller in black fiberglass reinforced PBT
- Brushless motor
- IC protected motor
- Electrical connection: 2 leads
- UL approval according to UL 507



Technical data

| Model | Dimensions AxBxC | Holes (F) | Bearing | Rated Voltage | Rated power | Max air flow | Static Pressure | Noise | Rated Speed | Approvals |
|--------------|---------------------|--------------|---------|------------------|----------------|-------------------|--------------------|-------|----------------|-----------|
| | mm | mm | | V | W | m ³ /h | Pa | dB(A) | Rpm | |
| D08F01HWSA00 | 80x80x15 | 71.5 | Sleeve | 5 V d.c. | 0.44 | 51 | 32 | 31.4 | 3,200 | CE; UR; |
| D08F01MWBA00 | 80x80x15 | 71.5 | Ball | 5 V d.c. | 1.2 | 38 | 21 | 26.0 | 2,440 | CE; UR; |
| D08F01MWSA00 | 80x80x15 | 71.5 | Sleeve | 5 V d.c. | 1.2 | 38 | 21 | 26.0 | 2,440 | CE; UR; |
| D08F04HWBA00 | 80x80x15 | 71.5 | Ball | 12 V d.c. | 2.3 | 51 | 32 | 31.4 | 3,200 | CE; UR; |
| D08F04HWSA00 | 80x80x15 | 71.5 | Sleeve | 12 V d.c. | 2.3 | 51 | 32 | 31.4 | 3,200 | CE; UR; |
| D08F04MWBA00 | 80x80x15 | 71.5 | Ball | 12 V d.c. | 1.8 | 38 | 21 | 26.0 | 2,440 | CE; UR; |
| D08F04MWSA00 | 80x80x15 | 71.5 | Sleeve | 12 V d.c. | 1.8 | 37 | 19 | 24.9 | 2,440 | CE; UR; |
| D08F05HWSA00 | 80x80x15 | 71.5 | Sleeve | 24 V d.c. | 3.1 | 51 | 32 | 31.4 | 3,400 | CE; UR; |
| D08F05MWBA00 | 80x80x15 | 71.5 | Ball | 24 V d.c. | 2.4 | 38 | 21 | 26.0 | 2,440 | CE; UR; |
| D08F05MWSA00 | 80x80x15 | 71.5 | Sleeve | 24 V d.c. | 2.4 | 38 | 21 | 26.0 | 2,440 | CE; UR; |

Technical specifications





General specifications

- Casing and impeller in black fiberglass reinforced PBT
- Brushless motor
- Impedance protected motor
- Electrical connection: 2 leads
- UL approval according to UL 507

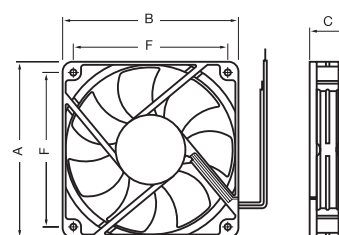


Technical data

| Model | Dimensions AxBxC | Holes (F) | Bearing | Rated Voltage | Rated power | Max air flow | Static Pressure | Noise | Rated Speed | Approvals |
|--------------|---------------------|--------------|---------|------------------|----------------|-------------------|--------------------|-------|----------------|------------|
| | mm | mm | | V | W | m ³ /h | Pa | dB(A) | Rpm | |
| D08D04HWBA00 | 80x80x20 | 71.5 | Ball | 12 V d.c. | 2.9 | 49 | 37 | 34.9 | 3,100 | CE; UR; |
| D08D04HWSA00 | 80x80x20 | 71.5 | Sleeve | 12 V d.c. | 2.9 | 49 | 37 | 34.0 | 3,000 | CE; UR; |
| D08D04MWBA00 | 80x80x20 | 71.5 | Ball | 12 V d.c. | 1.9 | 40 | 24 | 27.0 | 2,550 | CE; cURus; |
| D08D04MWSA00 | 80x80x20 | 71.5 | Sleeve | 12 V d.c. | 1.9 | 40 | 24 | 27.0 | 2,550 | CE; cURus; |
| D08D05HWBA00 | 80x80x20 | 71.5 | Ball | 24 V d.c. | 3.6 | 49 | 37 | 32.4 | 3,100 | CE; UR; |
| D08D05HWSA00 | 80x80x20 | 71.5 | Sleeve | 24 V d.c. | 3.6 | 47 | 39 | 34.0 | 3,000 | CE; UR; |
| D08D05MWBA00 | 80x80x20 | 71.5 | Ball | 24 V d.c. | 3.1 | 40 | 24 | 27.0 | 2,550 | CE; cURus; |
| D08D05MWSA00 | 80x80x20 | 71.5 | Sleeve | 24 V d.c. | 3.1 | 40 | 24 | 27.0 | 2,550 | CE; cURus; |

Technical specifications

Technical drawing





General specifications

- Casing and impeller in black fiberglass reinforced PBT
- Brushless motor
- Impedance or IC protected motor
- Electrical connection: 2 leads
- UL approval according to UL 507

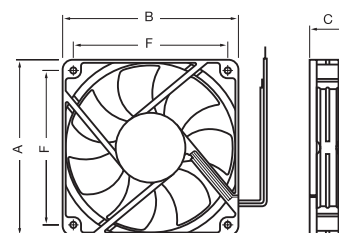


Technical data

| Model | Dimensions AxBxC | Holes (F) | Bearing | Rated Voltage | Rated power | Max air flow | Static Pressure | Noise | Rated Speed | Approvals |
|--------------|---------------------|--------------|---------|------------------|----------------|-------------------|--------------------|-------|----------------|------------|
| | mm | mm | | V | W | m ³ /h | Pa | dB(A) | Rpm | |
| D08A05HWBA00 | 80x80x25 | 71.5 | Ball | 24 V d.c. | 3.8 | 70 | 39 | 36.2 | 3,200 | CE; UR; |
| D08A05HWSA00 | 80x80x25 | 71.5 | Sleeve | 24 V d.c. | 3.8 | 70 | 39 | 35.2 | 3,000 | CE; UR; |
| D08A05LWBA00 | 80x80x25 | 71.5 | Ball | 24 V d.c. | 2.2 | 43 | 17 | 22.7 | 2,000 | CE; cURus; |
| D08A05LWSA00 | 80x80x25 | 71.5 | Sleeve | 24 V d.c. | 2.2 | 43 | 17 | 22.7 | 2,000 | CE; UR; |
| D08A05MWBA00 | 80x80x25 | 71.5 | Ball | 24 V d.c. | 2.4 | 55 | 25 | 29.4 | 2,500 | CE; cURus; |
| D08A05MWSA00 | 80x80x25 | 71.5 | Sleeve | 24 V d.c. | 2.4 | 53 | 23 | 28.6 | 2,400 | CE; cURus; |
| D08A05SWBA00 | 80x80x25 | 71.5 | Ball | 24 V d.c. | 6.2 | 89 | 66 | 40.8 | 3,900 | CE; cURus; |
| D08A05SWSA00 | 80x80x25 | 71.5 | Sleeve | 24 V d.c. | 6.2 | 89 | 66 | 40.8 | 3,900 | CE; cURus; |
| D08A07HWBA00 | 80x80x25 | 71.5 | Ball | 48 V d.c. | 5.3 | 40 | 35 | 35.2 | 3,000 | CE; UR; |

Technical specifications

Technical drawing





General specifications

- Casing and impeller in black fiberglass reinforced PBT
- Brushless motor
- Impedance protected motor
- Electrical connection: 2 leads
- UL approval according to UL 507

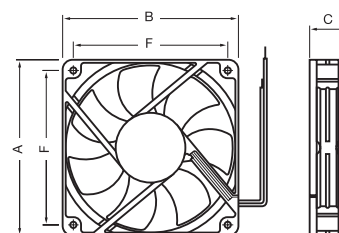


Technical data

| Model | Dimensions AxBxC | Holes (F) | Bearing | Rated Voltage | Rated power | Max air flow | Static Pressure | Noise | Rated Speed | Approvals |
|--------------|---------------------|--------------|---------|------------------|----------------|-------------------|--------------------|-------|----------------|------------|
| | mm | mm | | V | W | m ³ /h | Pa | dB(A) | Rpm | |
| D09D04HWSA00 | 92x92x20 | 82.5 | Sleeve | 12 V d.c. | 3.0 | 56 | 26 | 32.8 | 2,700 | CE; UR; |
| D09D04MWBA00 | 92x92x20 | 82.5 | Ball | 12 V d.c. | 1.9 | 49 | 21 | 28.9 | 2,430 | CE; UR; |
| D09D04MWSA00 | 92x92x20 | 82.5 | Sleeve | 12 V d.c. | 1.9 | 49 | 21 | 28.9 | 2,430 | CE; UR; |
| D09D05HWSA00 | 92x92x20 | 82.5 | Sleeve | 24 V d.c. | 3.4 | 56 | 26 | 32.8 | 2,700 | CE; UR; |
| D09D05MWBA00 | 92x92x20 | 82.5 | Ball | 24 V d.c. | 2.4 | 49 | 21 | 28.9 | 2,430 | CE; cURus; |
| D09D05MWSA00 | 92x92x20 | 82.5 | Sleeve | 24 V d.c. | 2.4 | 49 | 21 | 28.9 | 2,430 | CE; cURus; |

Technical specifications

Technical drawing





General specifications

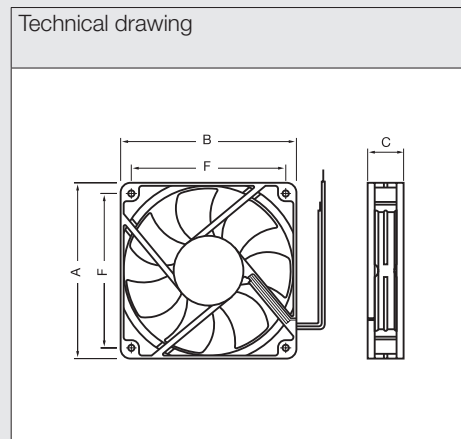
- Casing and impeller in black fiberglass reinforced PBT
- Brushless motor
- Impedance protected motor
- Electrical connection: 2 leads
- UL approval according to UL 507



Technical data

| Model | Dimensions AxBxC | Holes (F) | Bearing | Rated Voltage | Rated power | Max air flow | Static Pressure | Noise | Rated Speed | Approvals |
|--------------|---------------------|--------------|---------|------------------|----------------|-------------------|--------------------|-------|----------------|------------|
| | mm | mm | | V | W | m ³ /h | Pa | dB(A) | Rpm | |
| D09A04EWBZ00 | 92x92x25 | 82.5 | Ball | 12 V d.c. | 1.08 | 51 | 8 | 19.1 | 1,600 | CE; cURus; |
| D09A04HWBZ00 | 92x92x25 | 82.5 | Ball | 12 V d.c. | 3.0 | 95 | 37 | 37.5 | 2,900 | CE; cURus; |
| D09A04HWSZ00 | 92x92x25 | 82.5 | Sleeve | 12 V d.c. | 3.0 | 95 | 37 | 37.5 | 2,900 | CE; cURus; |
| D09A04LWBZ00 | 92x92x25 | 82.5 | Ball | 12 V d.c. | 1.6 | 66 | 18 | 27.5 | 2,100 | CE; cURus; |
| D09A04LWSZ00 | 92x92x25 | 82.5 | Sleeve | 12 V d.c. | 1.6 | 66 | 18 | 27.5 | 2,100 | CE; cURus; |
| D09A04MWBZ00 | 92x92x25 | 82.5 | Ball | 12 V d.c. | 2.0 | 76 | 25 | 31.2 | 2,400 | CE; cURus; |
| D09A04MWSZ00 | 92x92x25 | 82.5 | Sleeve | 12 V d.c. | 2.0 | 76 | 25 | 31.2 | 2,400 | CE; cURus; |
| D09A04SWBZ00 | 92x92x25 | 82.5 | Ball | 12 V d.c. | 4.7 | 105 | 47 | 39.4 | 3,300 | CE; cURus; |
| D09A04SWSZ00 | 92x92x25 | 82.5 | Sleeve | 12 V d.c. | 4.7 | 105 | 47 | 42.2 | 3,300 | CE; cURus; |
| D09A05HWBZ00 | 92x92x25 | 82.5 | Ball | 24 V d.c. | 3.6 | 95 | 36 | 37.5 | 2,900 | CE; cURus; |
| D09A05HWSZ00 | 92x92x25 | 82.5 | Sleeve | 24 V d.c. | 3.6 | 87 | 34 | 35.4 | 2,900 | CE; cURus; |
| D09A05LWBZ00 | 92x92x25 | 82.5 | Ball | 24 V d.c. | 1.9 | 66 | 18 | 28.7 | 2,000 | CE; cURus; |
| D09A05LWSZ00 | 92x92x25 | 82.5 | Sleeve | 24 V d.c. | 1.9 | 66 | 18 | 28.7 | 2,000 | CE; cURus; |
| D09A05MWBZ00 | 92x92x25 | 82.5 | Ball | 24 V d.c. | 2.9 | 76 | 25 | 31.2 | 2,400 | CE; cURus; |
| D09A05MWSZ00 | 92x92x25 | 82.5 | Sleeve | 24 V d.c. | 2.9 | 76 | 25 | 31.2 | 2,400 | CE; cURus; |
| D09A05SWBZ00 | 92x92x25 | 82.5 | Ball | 24 V d.c. | 5.0 | 105 | 47 | 42.2 | 3,300 | CE; cURus; |
| D09A05SWSZ00 | 92x92x25 | 82.5 | Sleeve | 24 V d.c. | 5.0 | 105 | 47 | 42.2 | 3,300 | CE; cURus; |

Technical specifications





General specifications

- Casing and impeller in black fiberglass reinforced PBT
- Brushless motor
- IC protected motor
- Electrical connection: 2 leads

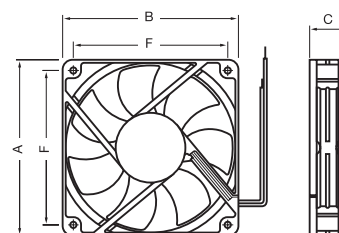


Technical data

| Model | Dimensions AxBxC | Holes (F) | Bearing | Rated Voltage | Rated power | Max air flow | Static Pressure | Noise | Rated Speed | Approvals |
|--------------|---------------------|--------------|---------|------------------|----------------|-------------------|--------------------|-------|----------------|-----------|
| | mm | mm | | V | W | m ³ /h | Pa | dB(A) | Rpm | |
| D09B05HWBZ00 | 92x92x38 | 82.5 | Ball | 24 V d.c. | 13.2 | 185 | 125 | 52.5 | 4,400 | CE; |

Technical specifications

Technical drawing





General specifications

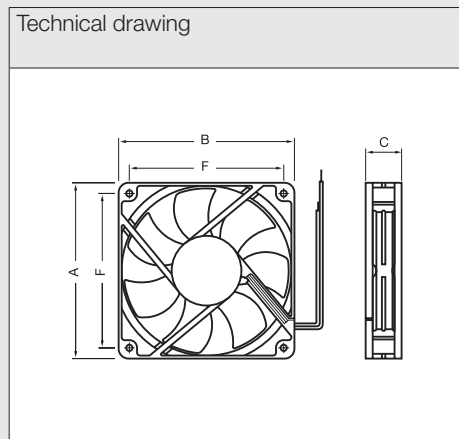
- Casing and impeller in black fiberglass reinforced PBT
- Brushless motor
- IC protected motor
- Electrical connection: 2 leads
- UL approval according to UL 507



Technical data

| Model | Dimensions AxBxC | Holes (F) | Bearing | Rated Voltage | Rated power | Max air flow | Static Pressure | Noise | Rated Speed | Approvals |
|--------------|---------------------|--------------|---------|------------------|----------------|-------------------|--------------------|-------|----------------|------------|
| | mm | mm | | V | W | m ³ /h | Pa | dB(A) | Rpm | |
| D12A04HWSZ00 | 120x120x25 | 104.8 | Sleeve | 12 V d.c. | 5.3 | 151 | 34 | 39.1 | 2,200 | CE; cURus; |
| D12A04LWBZ00 | 120x120x25 | 104.8 | Ball | 12 V d.c. | 2.9 | 122 | 23 | 34.4 | 1,800 | CE; cURus; |
| D12A04LWSZ00 | 120x120x25 | 104.8 | Sleeve | 12 V d.c. | 2.9 | 122 | 23 | 34.4 | 1,800 | CE; UR; |
| D12A04MWBZ00 | 120x120x25 | 104.8 | Ball | 12 V d.c. | 4.0 | 138 | 28 | 38.0 | 2,050 | CE; cURus; |
| D12A04MWSZ00 | 120x120x25 | 104.8 | Sleeve | 12 V d.c. | 4.1 | 138 | 28 | 38.0 | 2,050 | CE; cURus; |
| D12A04SWBZ00 | 120x120x25 | 104.8 | Ball | 12 V d.c. | 6.0 | 168 | 43 | 43.3 | 2,500 | CE; cURus; |
| D12A04SWSZ00 | 120x120x25 | 104.8 | Sleeve | 12 V d.c. | 6.0 | 168 | 43 | 43.3 | 2,500 | CE; cURus; |
| D12A05HWBZ00 | 120x120x25 | 104.8 | Ball | 24 V d.c. | 4.6 | 149 | 33 | 39.1 | 2,200 | CE; cURus; |
| D12A05HWSZ00 | 120x120x25 | 104.8 | Sleeve | 24 V d.c. | 5.8 | 149 | 33 | 39.1 | 2,200 | CE; cURus; |
| D12A05LWBZ00 | 120x120x25 | 104.8 | Ball | 24 V d.c. | 3.4 | 122 | 23 | 34.4 | 1,800 | CE; cURus; |
| D12A05LWSZ00 | 120x120x25 | 104.8 | Sleeve | 24 V d.c. | 3.4 | 122 | 23 | 34.4 | 1,800 | CE; cURus; |
| D12A05MWBZ00 | 120x120x25 | 104.8 | Ball | 24 V d.c. | 4.1 | 141 | 29 | 38.0 | 2,050 | CE; cURus; |
| D12A05MWSZ00 | 120x120x25 | 104.8 | Sleeve | 24 V d.c. | 4.1 | 141 | 29 | 38.0 | 2,050 | CE; cURus; |
| D12A05SWBZ00 | 120x120x25 | 104.8 | Ball | 24 V d.c. | 6.0 | 168 | 43 | 43.3 | 2,500 | CE; cURus; |
| D12A05SWSZ00 | 120x120x25 | 104.8 | Sleeve | 24 V d.c. | 6.0 | 168 | 43 | 43.3 | 2,500 | CE; cURus; |
| D12A07HWBZ00 | 120x120x25 | 104.8 | Ball | 48 V d.c. | 5.8 | 149 | 33 | 39.1 | 2,200 | CE; |

Technical specifications





General specifications

- Casing and impeller in black fiberglass reinforced PBT
- Brushless motor
- IC protected motor
- Electrical connection: 2 leads

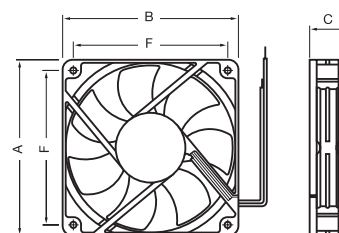


Technical data

| Model | Dimensions AxBxC | Holes (F) | Bearing | Rated Voltage | Rated power | Max air flow | Static Pressure | Noise | Rated Speed | Approvals |
|--------------|---------------------|--------------|---------|------------------|----------------|-------------------|--------------------|-------|----------------|-----------|
| | mm | mm | | V | W | m ³ /h | Pa | dB(A) | Rpm | |
| D12G05HWBA00 | 120x120x32 | 104.8 | Ball | 24 V d.c. | 6.0 | 190 | 60 | 43.3 | 2,750 | CE; |

Technical specifications

Technical drawing





General specifications

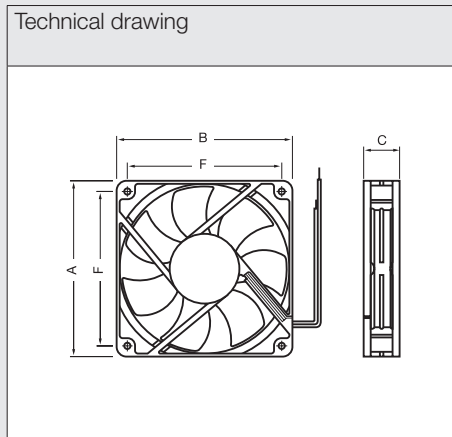
- Casing and impeller in black fiberglass reinforced PBT
- Brushless motor
- IC protected motor
- Electrical connection: 2 leads
- UL approval according to UL 507 and TÜV according to EN60950-1:2006+A11



Technical data

| Model | Dimensions AxBxC | Holes (F) | Bearing | Rated Voltage | Rated power | Max air flow | Static Pressure | Noise | Rated Speed | Approvals |
|--------------|---------------------|--------------|---------|------------------|----------------|-------------------|--------------------|-------|----------------|--------------------|
| | mm | mm | | V | W | m ³ /h | Pa | dB(A) | Rpm | |
| D12B05HWBA91 | 120x120x38 | 104.8 | Ball | 24 V d.c. | 23.5 | 340 | 155 | 61.0 | 4,300 | CE; cURus; TUV; |
| D12B05VWBA91 | 120x120x38 | 104.8 | Ball | 24 V d.c. | 7.2 | 220 | 74 | 48.5 | 2,800 | CE; cURus; |

Technical specifications





General specifications

- Casing and impeller in black fiberglass reinforced PBT
- Brushless motor
- IC protected motor
- Electrical connection: 2 leads
- UL approval according to UL 507

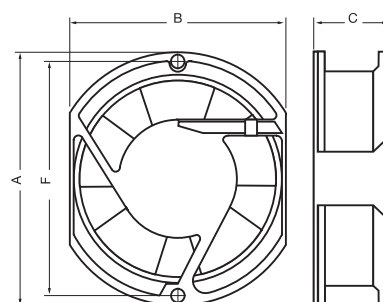


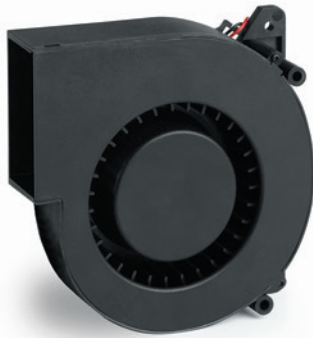
Technical data

| Model | Dimensions AxBxC | Holes (F) | Bearing | Rated Voltage | Rated power | Max air flow | Static Pressure | Noise | Rated Speed | Approvals |
|--------------|---------------------|--------------|---------|------------------|----------------|-------------------|--------------------|-------|----------------|------------|
| | mm | mm | | V | W | m ³ /h | Pa | dB(A) | Rpm | |
| D17C05HWBA00 | 172x150x51 | 162 | Ball | 24 V d.c. | 24 | 450 | 190 | 60.0 | 3,500 | CE; cURus; |
| D17C07HWBA00 | 172x150x51 | 162 | Ball | 48 V d.c. | 24 | 450 | 190 | 58.8 | 3,500 | CE; cURus; |

Technical specifications

Technical drawing





General specifications

- Casing and impeller in black fiberglass reinforced PBT
- Brushless motor
- IC protected motor
- Electrical connection: 2 leads
- UL approval according to UL 507

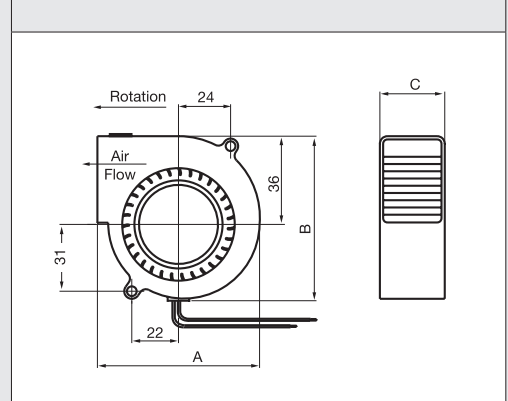


Technical data

| Model | Dimensions AxBxC | Holes (F) | Bearing | Rated Voltage | Rated power | Max air flow | Static Pressure | Noise | Rated Speed | Approvals |
|--------------|---------------------|--------------|---------|------------------|----------------|-----------------|--------------------|-------|----------------|-----------|
| | mm | mm | | V | W | m³/h | Pa | dB(A) | Rpm | |
| DC6G04HWBA00 | 75x75x30 | 81.2 | Ball | 12 V d.c. | 3.6 | 18 | 89 | 38.5 | 3,000 | CE; UR; |
| DC6G04HWSA00 | 75x75x30 | 81.2 | Sleeve | 12 V d.c. | 3.6 | 18 | 89 | 38.5 | 3,000 | CE; UR; |
| DC6G04MWBA00 | 75x75x30 | 81.2 | Ball | 12 V d.c. | 2.4 | 13 | 58 | 34.9 | 2,600 | CE; UR; |
| DC6G05MWBA00 | 75x75x30 | 81.2 | Ball | 24 V d.c. | 3.4 | 13 | 58 | 34.9 | 2,600 | CE; UR; |
| DC6G05MWSA00 | 75x75x30 | 81.2 | Sleeve | 24 V d.c. | 3.4 | 13 | 58 | 34.9 | 2,600 | CE; UR; |

Technical specifications

Technical drawing





General specifications

- Casing and impeller in black fiberglass reinforced PBT
- Brushless motor
- IC protected motor
- Electrical connection: 2 leads
- UL approval according to UL 507

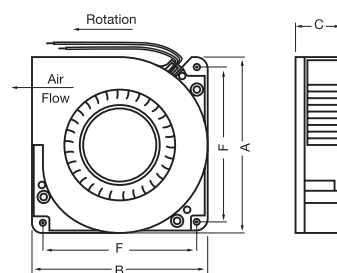


Technical data

| Model | Dimensions AxBxC | Holes (F) | Bearing | Rated Voltage | Rated power | Max air flow | Static Pressure | Noise | Rated Speed | Approvals |
|--------------|---------------------|--------------|---------|------------------|----------------|-------------------|--------------------|-------|----------------|------------|
| | mm | mm | | V | W | m ³ /h | Pa | dB(A) | Rpm | |
| DC1G05MWBA01 | 120x120x31 | 104.8 | Ball | 24 V d.c. | 9.4 | 48 | 220 | 49.0 | 2,300 | CE; cURus; |

Technical specifications

Technical drawing



EC technology



WHAT IS EC TECHNOLOGY?

EC stands for Electronically Commutated and combines AC and DC voltages to bring the best of both technologies. The motor runs on DC, but with a normal AC supply. DC motors already have low power consumption but, if used in AC applications, need to convert AC to DC using a bulky, inefficient transformer. The EC fan incorporates voltage transformation within the motor. An electronic PCB board, which takes care of AC to DC transformation and houses the controls, is fitted to the non-rotating part of the motor (stator).

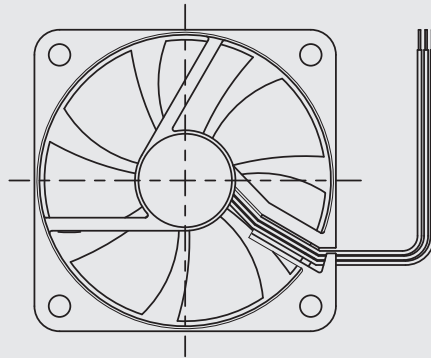
PRINCIPLE

- Permanent-magnet brushless DC motor
- The stator is driven by electronic switches governed by a microcontroller
- AC operated (115/230Volts Single phase, 50/60Hz)

BENEFITS

- Energy savings: minimum power consumption and better efficiency than equivalent AC fan
- Extended operating range (230 Vac 140~264Vac; 115 Vac 80~132Vac)
- Low motor temperature: for longer lifespan than AC equivalent
- Simplicity: electronic and power transformation are completely integrated within the motor
- High performance: better airflow and pressure values than an equivalent AC fan

DC fans with signal lead



DC fans with speed sensor signal

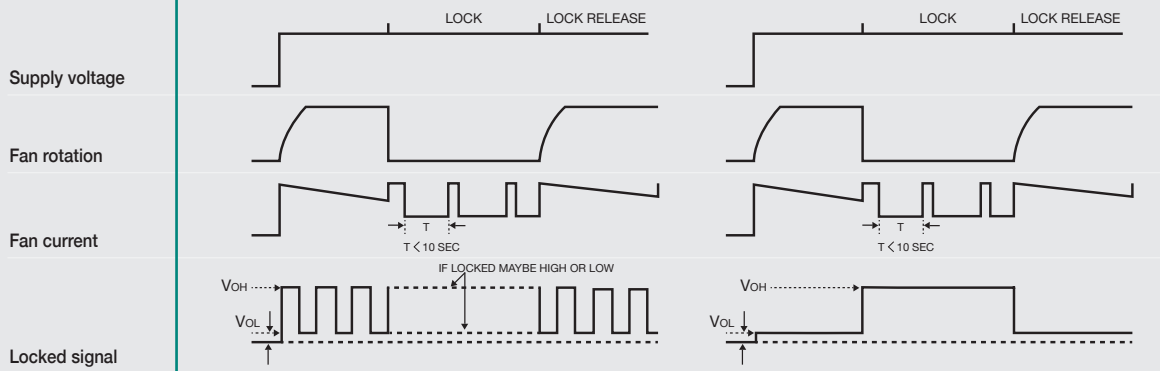
The integrated electronic sensor provides a square wave signal proportional to the fan speed. The signal is via a third lead wire (open collector type).

DC fans with alarm signal

It is used to detect if the fan is still rotating or stopped. The output is via a third lead wire (open collector type) and it is a continuous high or low signal depending on the fan's type.

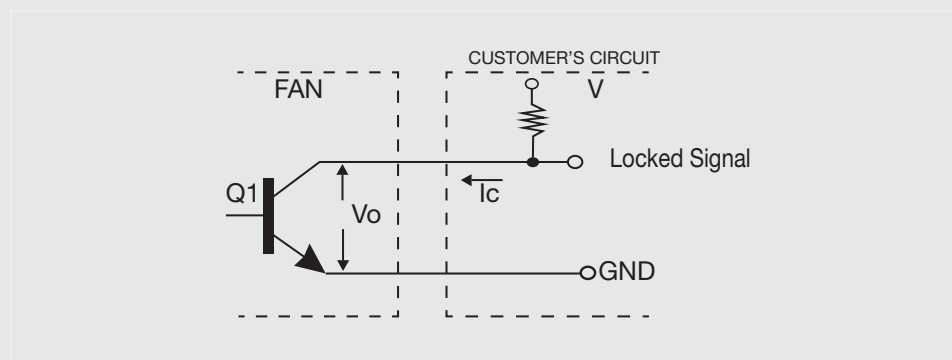
Output Waveform Speed Control

Output Waveform Alarm Signal



The output waves may change depending on the fan type. For more information, contact our Sales Dept.

Electrical diagram



External signal function design is decided by customer.

SPECIAL FRAME FANS

Custom and special solutions include a full line of AC/DC fans tested to withstand harsh environmental and working conditions. They are dustproof and water jet resistance (IP55) or tolerate high temperature up to +90°C, also thanks to a particular all metal construction.

These special fans ensure safe, reliable operation and an extended service life of the devices.



IP55
Ideal for indoor or outdoor use in harsh industrial environments



ALL METAL
Robust metal fan blades for good corrosion resistance



HIGH TEMPERATURE RESISTANT
Capable of running continuously at 90°C

Model numbering system for Special Frame fans

| description | A 12 B 23 H T B W 00 | description |
|---|--|--|
| <p>MOTOR TYPE A = a.c. shaded pole motor C = a.c. capacitor run induction motor D = d.c. brushless</p> | | <p>OPTIONS 00 = no option A = alarm output S = speed signal output I = variable speed with integrated V = variable speed with external thermistor M = digital PWM speed control T = for high temperature ambient F = motor IP55 protected H = motor IP25 protected Wnn = wires length out of standard Qnn = special version</p> |
| <p>CASING SIZE 01 = 15x15 mm axial fan 20 = 20x20 mm axial fan 02 = 25x25 mm axial fan 03 = 30x30 mm axial fan 35 = 35x35 mm axial fan 04 = 40x40 mm axial fan 45 = 45x45 mm axial fan 50 = 50x50 mm axial fan 06 = 60x60 mm axial fan 07 = 70x70 mm axial fan</p> | <p>08 = 80x80 mm axial fan 09 = 92x92 mm axial fan 12 = 120x120 mm axial fan 13 = 127x127 mm axial fan 17 = 172x150 mm axial fan 18 = ø 172 mm axial fan 22 = 218x218 mm axial fan 25 = 280x280 mm axial fan C1 = 120x120 mm blower C6 = 75x75 mm blower</p> | <p>DESIGN</p> <p>BEARING TYPE B = shielded ball S = sleeve</p> <p>CONNECTION K = terminal block T = flat terminals 110 series (2,8x0,5 mm) W = lead wires</p> <p>SPEED E = extra low V = very low L = low M = medium H = high S = super high</p> <p>RATED VOLTAGE 01 = 5 V d.c. 12 = 115 V a.c. 04 = 12 V d.c. 23 = 230 V a.c. 05 = 24 V d.c. / V a.c. 40 = 400 V a.c. 3-phase 07 = 48 V d.c.</p> |
| <p>CASING THICKNESS N = 6.5 mm E = 10 mm F = 15 mm D = 20 mm A = 25 mm G = 30-32 mm B = 38 mm standard flow R = 38 mm reverse flow C = 50-52 mm M = 55 mm S = 83 mm W = without casing, standard flow Z = without casing, reverse flow</p> | | |

General specifications



- Casing or housing cover (only for models A12WW and A12ZW) in black die cast aluminum alloy
- Impeller in fibreglass reinforced PBT PC
- Shaded pole motor
- Impedance or thermally protected motor
- Electrical connection: 2 leads or flat terminals

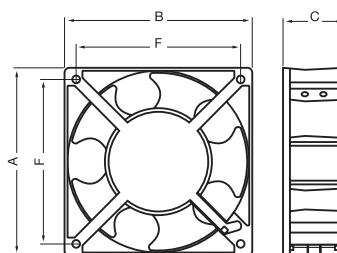


Technical data

| Model | Dimensions AxBxC | Holes (F) | Bearing | Rated Voltage | Freq. | Rated power | Max air flow | Static Pressure | Noise | Rated Speed | Approvals |
|--------------|---------------------|--------------|---------|------------------|-------|----------------|-----------------|--------------------|-----------|----------------|-----------|
| | mm | mm | | V | Hz | W | m³/h | Pa | dB(A) | Rpm | |
| A06G23HWBFF0 | 60x60x30 | 50 | Ball | 230 V a.c. | 50/60 | 5.0/4.0 | 14/17 | 17/27 | 27.0/28.0 | 2,400/3,000 | CE; |
| A08B12HWBFF0 | 80x80x38 | 71.5 | Ball | 115 V a.c. | 50/60 | 14/12 | 41/51 | 40/55 | 32.0/36.0 | 2,500/3,000 | CE; |
| A08B23HWBFF0 | 80x80x38 | 71.5 | Ball | 230 V a.c. | 50/60 | 14/12 | 41/51 | 40/55 | 32.0/36.0 | 2,500/3,000 | CE; |
| A09A23HTBFF0 | 92x92x25 | 82.5 | Ball | 230 V a.c. | 50/60 | 16/14 | 56/68 | 45/65 | 32.0/36.0 | 2,500/3,000 | CE; |
| A09A23HWBFF0 | 92x92x25 | 82.5 | Ball | 230 V a.c. | 50/60 | 16/14 | 56/68 | 45/65 | 32.0/36.0 | 2,500/3,000 | CE; |
| A12B12ETBKFO | 120x120x38 | 104.8 | Ball | 115 V a.c. | 50/60 | 6.0/5.5 | 78/84 | 15/15 | 27.0/28.0 | 1,350/1,450 | CE; |
| A12B12LTBKFO | 120x120x38 | 104.8 | Ball | 115 V a.c. | 50/60 | 7.0/7.0 | 120/114 | 35/22 | 32.0/30.0 | 2,100/1,950 | CE; |
| A12B23ETBKFO | 120x120x38 | 104.8 | Ball | 230 V a.c. | 50/60 | 6.5/6.0 | 78/84 | 15/15 | 27.0/28.0 | 1,350/1,450 | CE; |
| A12B23HTBKFO | 120x120x38 | 104.8 | Ball | 230 V a.c. | 50/60 | 15/14 | 162/192 | 74/88 | 37.0/41.0 | 2,600/2,900 | CE; |
| A12B23HWBWF0 | 120x120x38 | 104.8 | Ball | 230 V a.c. | 50/60 | 20/19 | 148/182 | 65/80 | 46.0/49.0 | 2,750/3,050 | CE; |
| A12B23LTBKFO | 120x120x38 | 104.8 | Ball | 230 V a.c. | 50/60 | 7.5/7.5 | 120/114 | 35/22 | 32.0/30.0 | 2,100/1,900 | CE; |
| A12B23LWBWF0 | 120x120x38 | 104.8 | Ball | 230 V a.c. | 50/60 | 11/10 | 114/102 | 27/22 | 43.0/42.0 | 2,200/1,800 | CE; |
| A12W23HWBWF0 | 113x113x38 | 45.5 | Ball | 230 V a.c. | 50/60 | 20/19 | 150/180 | 66/80 | 46.0/49.0 | 2,550/2,900 | CE; |
| A12W23SWBWF0 | 113x113x38 | 45.5 | Ball | 230 V a.c. | 50/60 | 22/21 | 165/200 | 67/94 | 48.0/50.0 | 2,700/3,100 | CE; |
| A12Z23HWBWF0 | 113x113x38 | 45.5 | Ball | 230 V a.c. | 50/60 | 18/18 | 140/155 | 62/75 | 42.0/45.0 | 2,600/2,950 | CE; |
| A17M12SWBMFO | 172x150x55 | 162 | Ball | 115 V a.c. | 50/60 | 42/42 | 332/391 | 137/157 | 49.0/53.0 | 2,800/3,250 | CE; |
| A17M23SWBMFO | 172x150x55 | 162 | Ball | 230 V a.c. | 50/60 | 42/42 | 332/391 | 137/157 | 49.0/53.0 | 2,800/3,250 | CE; |

Technical specifications

Technical drawing



General specifications



- Casing and impeller in black thermoplastic
- Brushless motor
- Impedance protected motor
- Electrical connection: 2 leads

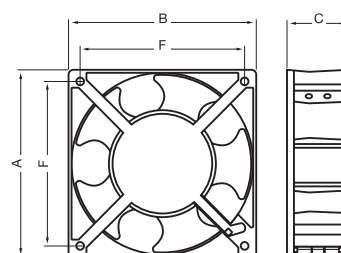


Technical data

| Model | Dimensions AxBxC | Holes (F) | Bearing | Rated Voltage | Freq. | Rated power | Max air flow | Static Pressure | Noise | Rated Speed | Approvals |
|--------------|---------------------|--------------|---------|------------------|-------|----------------|-------------------|--------------------|-----------|----------------|-----------|
| | mm | mm | | V | Hz | W | m ³ /h | Pa | dB(A) | Rpm | |
| E12B23HWBLF0 | 120x120x38 | 104.8 | Ball | 230 V a.c. | 50/60 | 6/7 | 190/200 | 70/75 | 45.0/46.8 | 3000/3100 | CE; |

Technical specifications

Technical drawing





General specifications

- Casing and impeller in black fiberglass reinforced PBT
- Brushless motor
- Impedance or IC protected motor
- Electrical connection: 2 leads
- UL approval according to UL 507

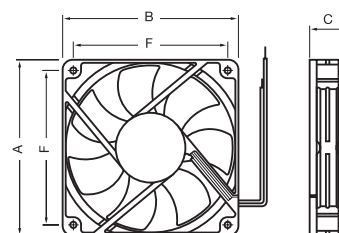


Technical data

| Model | Dimensions AxBxC | Holes (F) | Bearing | Rated Voltage | Rated power | Max air flow | Static Pressure | Noise | Rated Speed | Approvals |
|---------------|---------------------|--------------|---------|------------------|----------------|-------------------|--------------------|-------|----------------|------------|
| | mm | mm | | V | W | m ³ /h | Pa | dB(A) | Rpm | |
| D04D05HWBZFO | 40x40x20 | 32 | Ball | 24 V d.c. | 2.2 | 15 | 70 | 36.0 | 7,800 | CE; |
| D04E05MWBTF0 | 40x40x10 | 32 | Ball | 24 V d.c. | 1.9 | 8.5 | 19 | 22.0 | 4,800 | CE; |
| D06A04LWBAFO | 60x60x25 | 50 | Ball | 12 V d.c. | 0.96 | 24 | 17 | 18.1 | 2,500 | CE; |
| D06A05HWBAFO | 60x60x25 | 50 | Ball | 24 V d.c. | 3.6 | 41 | 44 | 35.2 | 4,500 | CE; |
| D06A05SWBAFO | 60x60x25 | 50 | Ball | 24 V d.c. | 3.8 | 46 | 60 | 37.9 | 5,000 | CE; |
| D07A04HWBAFO | 70x70x25 | 60 | Ball | 12 V d.c. | 2.3 | 61 | 55 | 35.5 | 4,200 | CE; |
| D08A04HWBAFO | 80x80x25 | 71.5 | Ball | 12 V d.c. | 3.0 | 66 | 37 | 34.4 | 3,100 | CE; cURus; |
| D08A04LWBAFO | 80x80x25 | 71.5 | Ball | 12 V d.c. | 1.4 | 44 | 18 | 22.5 | 2,100 | CE; |
| D08A05HWBAFO | 80x80x25 | 71.5 | Ball | 24 V d.c. | 3.8 | 69 | 37 | 36.2 | 3,200 | CE; |
| D08A05MWBFAFO | 80x80x25 | 71.5 | Ball | 24 V d.c. | 2.6 | 55 | 25 | 29.4 | 2,500 | CE; |
| D08A05SWBAFO | 80x80x25 | 71.5 | Ball | 24 V d.c. | 6.2 | 87 | 59 | 40.9 | 3,900 | CE; |
| D09A05HWBZFO | 92x92x25 | 82.5 | Ball | 24 V d.c. | 3.6 | 95 | 36 | 37.5 | 2,900 | CE; |
| D12A05HWBZFO | 120x120x25 | 104.8 | Ball | 24 V d.c. | 4.6 | 150 | 34 | 39.1 | 2,200 | CE; |
| D12B04HWBAFO | 120x120x38 | 104.8 | Ball | 12 V d.c. | 6.0 | 179 | 66 | 46.7 | 2,800 | CE; |
| D12B05HWBAFO | 120x120x38 | 104.8 | Ball | 24 V d.c. | 7.7 | 179 | 66 | 46.7 | 2,800 | CE; |
| D12B07HWBAFO | 120x120x38 | 104.8 | Ball | 48 V d.c. | 9.6 | 179 | 66 | 46.7 | 2,800 | CE; |

Technical specifications

Technical drawing



General specifications



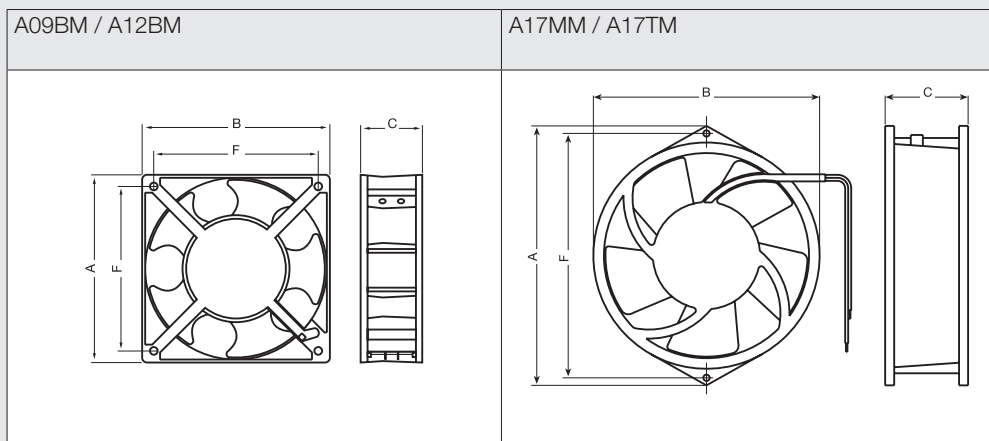
- Casing in black die cast aluminum alloy
- Metal impeller
- Shaded pole motor
- Impedance or thermally protected motor
- Electrical connection: 2 leads
- UL approval according to UL 507



Technical data

| Model | Dimensions AxBxC | Holes (F) | Bearing | Rated Voltage | Freq. | Rated power | Max air flow | Static Pressure | Noise | Rated Speed | Approvals |
|--------------|---------------------|--------------|---------|------------------|-------|----------------|-----------------|--------------------|-----------|----------------|------------|
| | mm | mm | | V | Hz | W | m³/h | Pa | dB(A) | Rpm | |
| A09B12HWBM00 | 92x92x38 | 82.5 | Ball | 115 V a.c. | 50/60 | 12/11 | 75/87 | 59/74 | 37.0/42.0 | 2,700/3,200 | CE; cURus; |
| A09B23HWBM00 | 92x92x38 | 82.5 | Ball | 230 V a.c. | 50/60 | 12/11 | 75/87 | 59/74 | 37.0/42.0 | 2,700/3,200 | CE; cURus; |
| A12B12HTBM00 | 120x120x38 | 104.8 | Ball | 115 V a.c. | 50/60 | 17/15 | 151/175 | 64/59 | 42.0/46.0 | 2,700/3,100 | CE; cURus; |
| A12B12LTBM00 | 120x120x38 | 104.8 | Ball | 115 V a.c. | 50/60 | 17/15 | 107/114 | 25/22 | 33.0/35.0 | 2,000/2,050 | CE; cURus; |
| A12B23HTBM00 | 120x120x38 | 104.8 | Ball | 230 V a.c. | 50/60 | 17/15 | 151/175 | 64/59 | 42.0/46.0 | 2,700/3,100 | CE; cURus; |
| A12B23LTBM00 | 120x120x38 | 104.8 | Ball | 230 V a.c. | 50/60 | 17/15 | 107/114 | 25/22 | 33.0/35.0 | 2,000/2,050 | CE; cURus; |
| A17M12SWBM00 | 172x150x55 | 162 | Ball | 115 V a.c. | 50/60 | 42/42 | 332/391 | 137/157 | 49.0/53.0 | 2,800/3,250 | CE; cURus; |
| A17M23SWBM00 | 172x150x55 | 162 | Ball | 230 V a.c. | 50/60 | 42/42 | 332/391 | 137/157 | 49.0/53.0 | 2,800/3,250 | CE; cURus; |
| A17T12SWBM00 | 172x150x55 | 162 | Ball | 115 V a.c. | 50/60 | 45/45 | 383/434 | 123/126 | 58.0/61.0 | 2,750/3,150 | CE; cURus; |
| A17T23SWBM00 | 172x150x55 | 162 | Ball | 230 V a.c. | 50/60 | 45/45 | 383/434 | 123/126 | 58.0/61.0 | 2,750/3,150 | CE; cURus; |

Technical specifications



General specifications



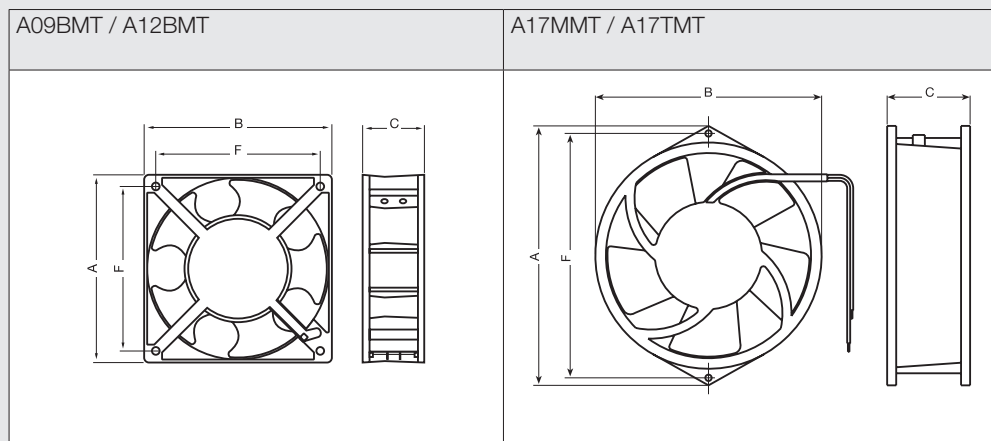
- Casing in black die cast aluminum alloy
- Metal impeller
- Shaded pole motor
- Impedance or thermally protected motor
- Electrical connection: 2 leads or flat terminals
- UL approval according to UL 507

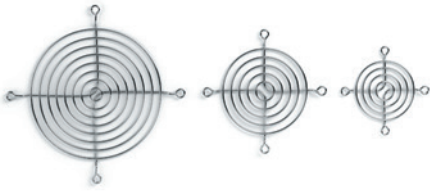


Technical data

| Model | Dimensions AxBxC | Holes (F) | Bearing | Rated Voltage | Freq. | Rated power | Max air flow | Static Pressure | Noise | Rated Speed | Approvals |
|--------------|---------------------|--------------|---------|------------------|-------|----------------|-----------------|--------------------|-----------|----------------|------------|
| | mm | mm | | V | Hz | W | m³/h | Pa | dB(A) | Rpm | |
| A09B12HWBMT0 | 92x92x38 | 82.5 | Ball | 115 V a.c. | 50/60 | 12/11 | 75/87 | 59/74 | 37.0/42.0 | 2,700/3,200 | CE; |
| A09B23HTBMT0 | 92x92x38 | 82.5 | Ball | 230 V a.c. | 50/60 | 12/11 | 75/87 | 59/74 | 37.0/42.0 | 2,700/3,200 | CE; |
| A12B12HTBMT0 | 120x120x38 | 104.8 | Ball | 115 V a.c. | 50/60 | 17/15 | 150/175 | 64/59 | 42.0/46.0 | 2,700/3,100 | CE; |
| A12B12LTBMT0 | 120x120x38 | 104.8 | Ball | 115 V a.c. | 50/60 | 17/15 | 110/115 | 25/22 | 33.0/35.0 | 2,000/2,050 | CE; |
| A12B23HTBMT0 | 120x120x38 | 104.8 | Ball | 230 V a.c. | 50/60 | 17/15 | 150/175 | 64/59 | 42.0/46.0 | 2,700/3,100 | CE; cURus; |
| A12B23LTBMT0 | 120x120x38 | 104.8 | Ball | 230 V a.c. | 50/60 | 17/15 | 110/115 | 25/22 | 33.0/35.0 | 2,000/2,050 | CE; cURus; |
| A17M12SWBMT0 | 172x150x55 | 162 | Ball | 115 V a.c. | 50/60 | 42/42 | 332/391 | 137/157 | 49.0/53.0 | 2,800/3,250 | CE; cURus; |
| A17M23SWBMT0 | 172x150x55 | 162 | Ball | 230 V a.c. | 50/60 | 42/42 | 332/391 | 137/157 | 49.0/53.0 | 2,800/3,250 | CE; cURus; |
| A17T12SWBMT0 | 172x150x55 | 162 | Ball | 115 V a.c. | 50/60 | 45/45 | 383/434 | 123/123 | 58.0/61.0 | 2,750/3,150 | CE; cURus; |
| A17T23SWBMT0 | 172x150x55 | 162 | Ball | 230 V a.c. | 50/60 | 45/45 | 383/434 | 123/123 | 58.0/61.0 | 2,750/3,150 | CE; cURus; |

Technical specifications





General specifications

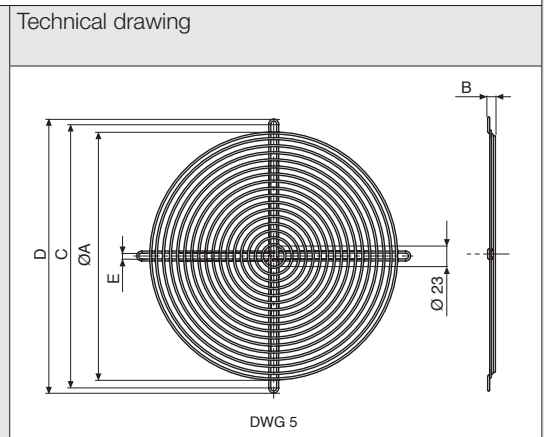
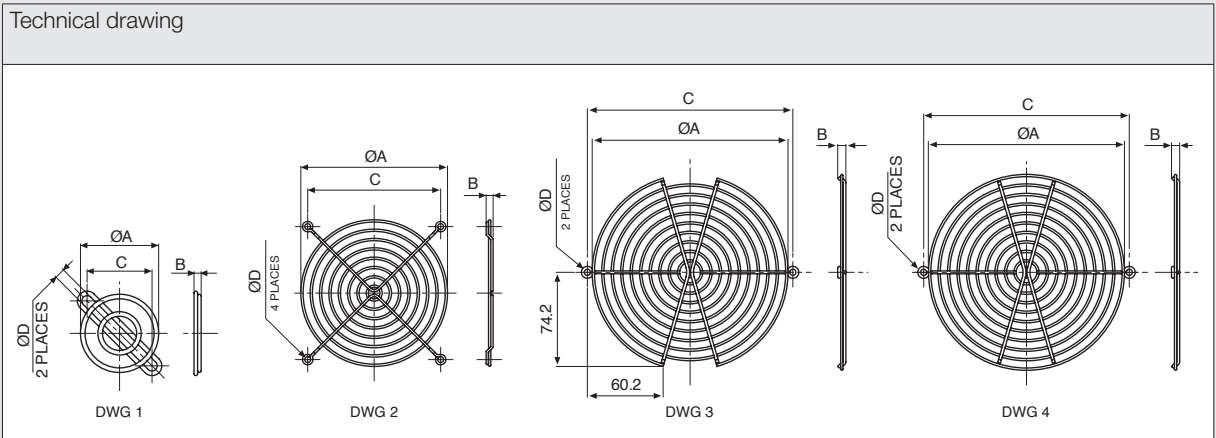
- Moving parts protection, according to EN ISO 12100 and EN ISO 13857 standards
- Material: steel wire AISI C1010
- Finishing: nickel-chrome plated



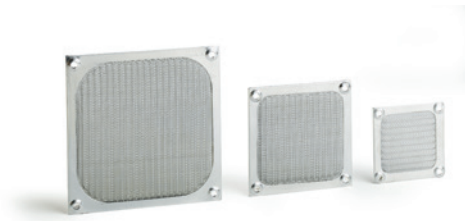
Technical data

| Model | Dwg | A | B | C | D |
|----------|-----|-------|-----|-------|-----|
| | | mm | mm | mm | mm |
| 25 | 1 | 24 | 2.2 | 20 | 3.2 |
| 40 | 2 | 29.1 | 4.8 | 32 | 4 |
| 45 | 2 | 38.3 | 3.8 | 37 | 4.3 |
| 50 | 2 | 42 | 3 | 40 | 5.2 |
| 60 | 2 | 53 | 4.4 | 50 | 4.6 |
| 80 | 2 | 76 | 5.5 | 71.5 | 4.9 |
| 92 | 2 | 90 | 5.5 | 82.5 | 4.9 |
| 120 | 2 | 115.6 | 5.5 | 105 | 4.6 |
| 127 | 2 | 115.6 | 6 | 113.3 | 4.6 |
| 150 | 4 | 154.4 | 6.5 | 162 | 4.8 |
| 150/S | 3 | 154.4 | 6.5 | 162 | 4.8 |
| GMP200NK | 5 | 215 | 8.7 | 240 | 250 |
| GMP250NK | 5 | 278 | 8.7 | 295 | 307 |

Technical specifications

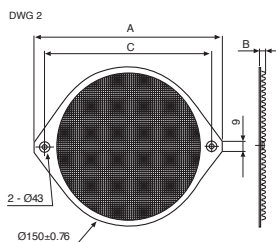
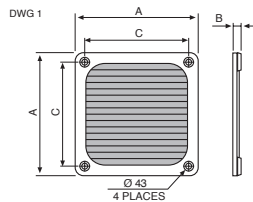


Accessories - frame fans metal filters



General specifications

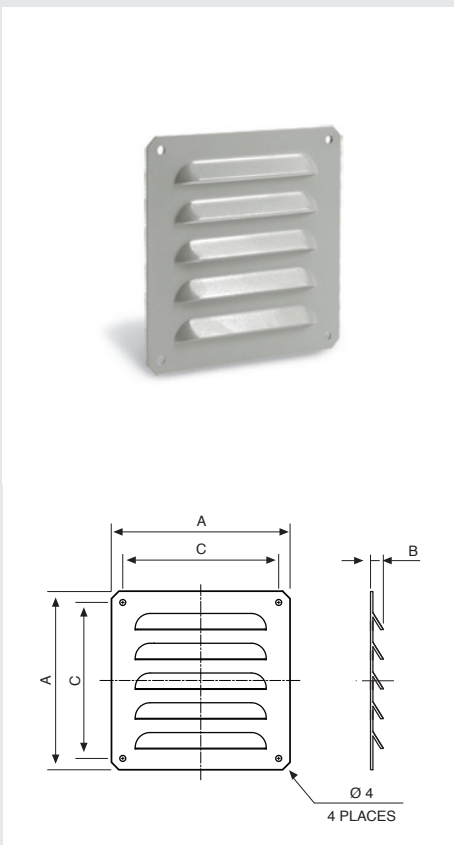
- Moving parts and dust protection, according to EN ISO 12100 and EN ISO 13857 standards
- Material
 - Net: 30x30 stainless steel corrugated mesh with 4.8 mm pitch and 3.3 mm depth
 - Frame: aluminum
- Color: natural



Technical data

| Model | Dwg | A | B | C |
|--------|-----|------|-----|-------|
| | | mm | mm | mm |
| FM/60 | 1 | 60 | 2.5 | 50 |
| FM/80 | 1 | 83.8 | 3.0 | 71.4 |
| FM/92 | 1 | 92 | 3.5 | 82.5 |
| FM/120 | 1 | 119 | 4.0 | 104.5 |
| FM/150 | 2 | 182 | 4.2 | 162 |

Accessories - frame fans metal ventilation louvres



General specifications

- Moving parts protection, according to EN ISO 12100 and EN ISO 13857 standards
- Material: steel plate with RAL 7035 epoxy powder coating

| Model | A | B | C |
|------------|-----|-----|-------|
| | mm | mm | mm |
| G120M-7035 | 120 | 7.4 | 104.8 |



General specifications

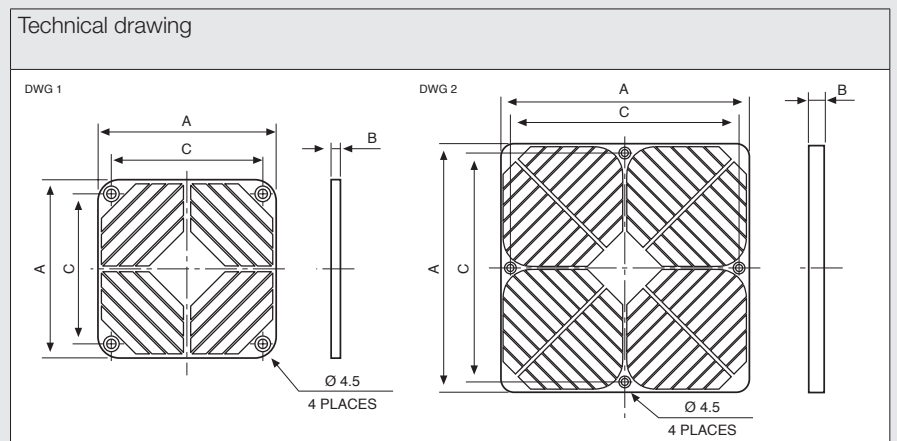
- Moving parts protection, according to EN ISO 12100 and EN ISO 13857 standards
- Material: self-extinguishing ABS/PC alloy, according to UL 94V-0
- Finishing: nickel-chrome plated
- Color: black RAL 9005



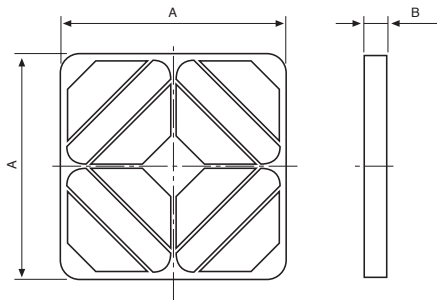
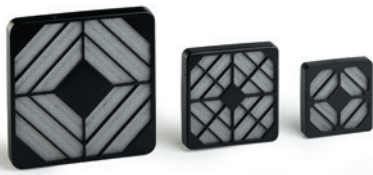
Technical data

| Model | Dwg | A | B | C |
|-------|-----|------|------|-------|
| | | mm | mm | mm |
| G40 | 1 | 42.3 | 3.3 | 32 |
| G60 | 1 | 60 | 6 | 50 |
| G80 | 1 | 81 | 5.5 | 71.4 |
| G92 | 1 | 92 | 5.5 | 82.5 |
| G120 | 1 | 121 | 6.5 | 104.8 |
| G150 | 2 | 173 | 10.8 | 162 |

Technical specifications



Accessories - frame fans plastic filters



General specifications

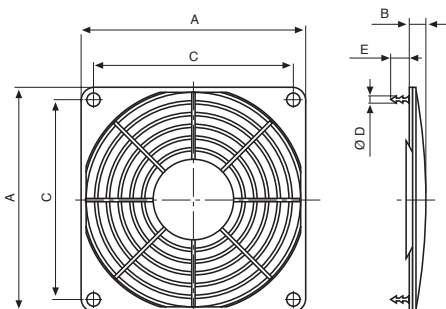
- Moving parts and dust protection, according to EN ISO 12100 and EN ISO 13857 standards
- Material
 - Plastic parts: black RAL 9005 self-extinguishing ABS/PC alloy, according to UL 94V-0
 - Filter media: white organic and synthetic fibres (polyester and polypropylene) heat bounded
 - Net: natural color fibreglass wiring Ø 0.28 mm, 18x16 mesh



Technical data

| Model | A | B |
|---------|------|------|
| | mm | mm |
| F40/MR | 46.4 | 6.5 |
| F60/MR | 64 | 12.2 |
| F80/MR | 86 | 12.2 |
| F92/MR | 97 | 12.2 |
| F120/MR | 126 | 13 |
| F150/MR | 179 | 24.7 |

Accessories - frame fans fast assembly plastic fan guards



General specifications

- Moving parts protection, according to EN ISO 12100 and EN ISO 13857 standards
- Material: Self-extinguishing ABS according to UL 94HB
- Color: black RAL 9005



| Model | A | B | C | D | E |
|--------|-------|-----|-------|-----|------|
| | mm | mm | mm | mm | mm |
| G80/S | 80 | 6.5 | 71.4 | 5.7 | 10 |
| G120/S | 120 | 7.3 | 104.8 | 5.7 | 12.2 |
| G127/S | 127.5 | 6.5 | 113.5 | 5.7 | 12 |

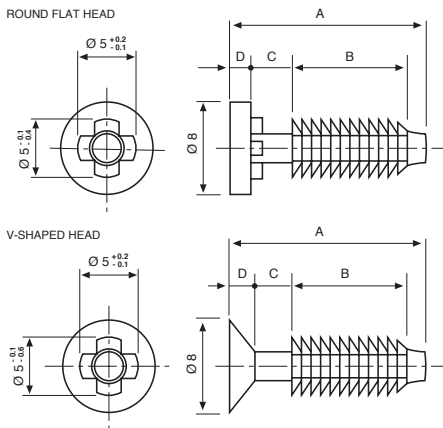
Accessories - frame fans plastic rivets

General specifications

- Fast fan and guards mounting
- Material: self-extinguishing nylon 6, according to UL 94V-0
- Suitable for fans with fixing hole diameter from 4mm to 4.8mm
- Available with round flat head or V-shaped head
- Two different stem lengths, 17mm and 22mm
- Color: black RAL 9005 or grey RAL 7032



Technical data

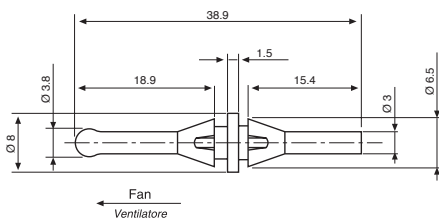


| Model | A | B | C | D | Description | Color |
|-----------|----|----|-----|-----|-------------|--------------|
| | mm | mm | mm | mm | | 0 |
| FAR175TPN | 17 | 10 | 3.6 | 1.8 | Flat | 9005 (Black) |
| FAR175TPR | 17 | 10 | 3.6 | 1.8 | Flat | 7032 (Grey) |
| FAR175TSN | 17 | 10 | 3.2 | 2.2 | V-shaped | 9005 (Black) |
| FAR175TSR | 17 | 10 | 3.2 | 2.2 | V-shaped | 7032 (Grey) |
| FAR225TPN | 22 | 15 | 3.8 | 1.8 | Flat | 9005 (Black) |
| FAR225TPR | 22 | 15 | 3.8 | 1.8 | Flat | 7032 (Grey) |
| FAR225TSN | 22 | 15 | 3.0 | 2.6 | V-shaped | 9005 (Black) |
| FAR225TSR | 22 | 15 | 3.0 | 2.6 | V-Shaped | 7032 (Grey) |

Accessories - frame fans elastic rivets

General specifications

- Fast fan mounting and dismounting, vibration and noise reduction
- Material: EPDM rubber, 63 shore A hardness
- Color: black



| Model |
|----------|
| EAR4401N |



General specifications

- Quick fans power connection or disconnection with standard terminal male plugs
- Plug material: self-extinguishing PVC
- Versions available:
 - straight plug connection
 - 45° plug connection
- daisy chain plugs for multiple connections
- Other lengths are available on request, subject to quantity
- Cable type: flat flexible wire without sheath, H03VH-H according to CEI 20-20 or equivalent
- Color: black

Technical data

| Model | Length of cable "L" | Description |
|--------|---------------------|-------------|
| | mm | |
| C24-45 | 610 | 45° |
| C24 | 610 | Straight |
| C36-45 | 910 | 45° |
| C36 | 910 | Straight |
| C60 | 1.520 | Straight |

Technical specifications

