

CarrLane®

MANUFACTURING CO.



Standard Components for Tooling and Production

2020 Catalog

www.carrlane.com

Authorized Distributor:

Our Best Resource



Your Local Distributor

**With more than 300 local distributors
it's easy to find one near you!**










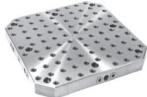




ISO 9001
CERTIFIED

www.carrlane.com/find-a-distributor

CarrLane
MANUFACTURING CO.

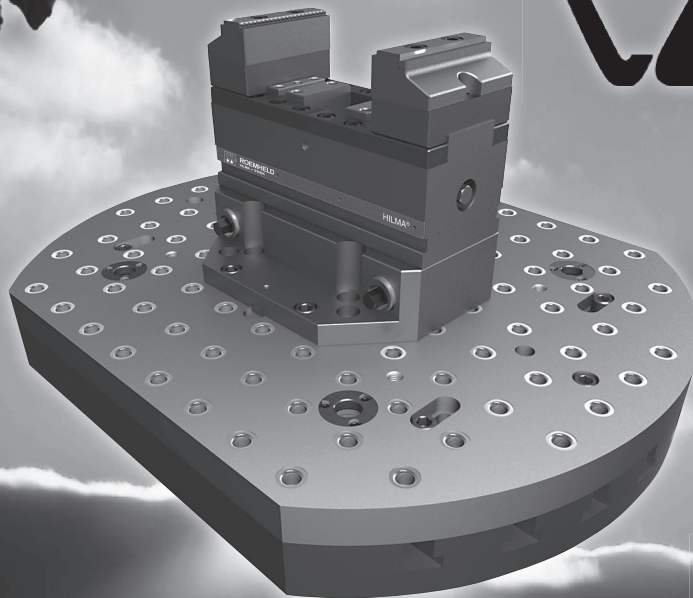
CATALOG SECTIONS

Pictorial Index pp. 4-15; Alphabetical Index pp. 16-25

	Alignment Pins..... 27-72	1
	Hoist Rings..... 73-92	2
	Handles, Knobs, and Screw Clamps 93-162	3
	Spring-Loaded Devices 163-200	4
	Supports, Rests, and Feet.....201-234	5
	Locators235-258	6
	Clamps and Accessories259-344	7
	Threaded Fasteners345-356	8
	Jig and Fixture Bases357-414	9
	Modular Fixturing.....415-450	10
	Toggle Clamps451-526	11
	Stage and Film527-528	12
	Drill-Jig Bushings529-602	13
	ROEMHELD Power Workholding603-736	14

Get the Highest Clamping Force

Quick-Change 5-Axis Workholding



The CL5 Advantage:

- 50% greater clamping force
- Setup in seconds – no adaptor plates, blocks or pallets necessary
- Holds the tightest of tolerances
- Unrestricted tool access for multiple-side machining
- A stronger, more precise hold



Air Gap Sensors Giving You Trouble?



Here's Your Solution:

Air Rest Buttons

carrlane.com/arb

Take the guesswork out of loading your parts. Whether you run your operations with robot or human guidance, Carr Lane Manufacturing's Air Rest Buttons deliver feedback with every load.

See Pages 222-223

PICTORIAL INDEX

Alignment Pins

L PINS, T PINS & JIG PINS



L Pins & T Pins
p. 29



Shoulder Pins
p. 30



Jig Pins
p. 30



Locking L Pins & T Pins
p. 31-32



Captive Jig Pins
p. 33

CLAMPING PINS



Clamping Pins
p. 35



Locking Clamping Pins
p. 36



Captive Locating Screws
p. 37



Captive Locating Screws with Hand Knob
pp. 38-40



Locking Pin Bushings
p. 33

SLOTTED LOCATOR BUSHINGS



Press Fit
pp. 42-43



Headed Press Fit
p. 44



Knurled
p. 43



Template Type
p. 45

BALL LOCK PINS



Technical Information
pp. 46-47



Ball Lock Pins
pp. 48-49



Marine Ball Lock Pins
pp. 50-51



Heavy-Duty Ball Lock Pins
pp. 52-53



Adjustable Ball Lock Pins
pp. 54-55



Double-Acting Ball Lock Pins
pp. 56-57



Lifting Pins
pp. 58-59



Ball Lock Receiver Caps
p. 60

DETENT PINS



Detent Pins
p. 61



Marine Detent Pins
p. 62



Economy Detent Pins
p. 62



Threaded Detent Pins
p. 63

EXPANDING PINS



Cam Handle
p. 64



Hex Head
p. 65

CABLE



Cable Assemblies
pp. 66-68



Cable
p. 69



Ferrules
p. 69



Terminals
p. 70



Cable Rings
p. 70



Cable Tabs
p. 70



Crimping Tools
p. 71



Nylon Lanyards
p. 72



Ball Lock Coupling Rings
p. 72



ALSO SEE:
Carr Lock® System (Jig and Fixture Bases)
pp. 358-372



ALSO SEE:
Hand-Retractable Plungers (Spring-Loaded Devices)
pp. 178-186



ALSO SEE:
Index Plungers (Spring-Loaded Devices)
pp. 187-192

Hoist Rings



Hoist Ring Safety Precautions
p. 74



Swivel Hoist Rings
pp. 76-84



Side-Pull Hoist Rings
pp. 86-87



Pivoting Hoist Rings
p. 88



Lifting Eyes
p. 90



Hoist Eye 360°
p. 90



Hoist Ring Accessories
p. 91



ALSO SEE: Lifting Pins (Alignment Pins)
pp. 58-59

Handles, Knobs, and Screw Clamps

FLUTED KNOBS



Palm-Grip Hand Knobs (Aluminum)
p. 96



Fluted Knobs (Phenolic)
p. 97



Fluted Knobs (Thermoplastic)
p. 98



Star Knobs (Thermoplastic)
p. 99



Star Knobs (Cushion Grip)
p. 99

FOUR-PRONG KNOBS & SCREW CLAMPS



Hand Knobs (Cast Iron)
p. 100



Hand Knobs (Aluminum)
p. 101



Hand Knobs (Stainless Steel)
p. 105



Hand Knob Assemblies
p. 102



Swivel-Washer Hand Knob Assemblies
p. 103

(continued)



Knob Shoe Assemblies
p. 104



Bar-Lok Quick-Acting Screw Clamps
pp. 114-115



Quick-Acting Knobs
p. 108



Four-Prong Knobs (Phenolic)
pp. 106-107



Four-Prong Knobs (Thermoplastic)
p. 107



Three-Prong Knobs
p. 109

T-HANDLE KNOBS



T-Handle Knobs
p. 110



ALSO SEE: Clamping Pins (Alignment Pins)
pp. 35-36

BAR-HANDLE KNOBS & SCREW CLAMPS



Bar-Handle Screw Clamps
pp. 112-113



Bar-Handle Nuts
p. 113



Bar-Lok Quick-Acting Screw Clamps
pp. 114-115



Bar Knobs
p. 108

(continued)

KNURLED KNOBS & SCREW CLAMPS



Knurled-Head Screws
p. 117



Swivel Head Screws
pp. 118, 120



Knurled Knobs
p. 123



Adjustable-Torque Thumb Screws
p. 124



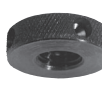
Quick-Acting Knurled Knobs
p. 125



Adjustable-Torque Knobs
p. 125



Knurled Knobs (Plastic)
p. 126



**ALSO SEE:
Knurled Nuts**
p. 311

SOCKET SCREW CLAMPS



Swivel Screw Clamps
pp. 118, 121



Ball-End Thrust Screws
p. 122



**ALSO SEE:
Jig Feet Leveling (Supports, Rests, & Feet)**
p. 203



**ALSO SEE:
Gripper Swivel Contact Bolts (Supports, Rests, & Feet)**
pp. 214-215



**ALSO SEE:
Gripper Swivel Screws (Supports, Rests, & Feet)**
p. 218



Feet For Swivel Screws
p. 119

LATCH SCREWS



Quarter-Turn Screws
p. 111

Half-Turn Screws
p. 111

HAND WHEELS



Hand-Wheel Modifications
p. 127



Cast Iron
pp. 128-129



Aluminum
pp. 128, 130



Stainless Steel
p. 131



Thermoplastic
pp. 132-135



Phenolic
pp. 136-137



Solid Handles
p. 138



Revolving Handles
pp. 139-141

LEVER HANDLES & CRANK HANDLES



Lever Handles & Lever Bars
pp. 142-143



Crank Handles
p. 144



Speed Ball Handles
p. 144



Balanced Crank Handles
p. 145



Crank Handles Thermoplastic
p. 146

ADJUSTABLE HANDLES



Steel Body & Plastic Handle
p. 148



Stainless Body & Plastic Handle
p. 149



Steel Body & Zinc Handle
p. 147



Adjustable Lever Handles
pp. 150-151

KNOB HANDLES



Ball Knobs
pp. 152-154



Oval Ball Knobs
p. 153



Oval Tapered Knobs
p. 155



Tapered Knobs
p. 156



Palm-Grip Handles
p. 156



Knob Handles
p. 157



Tapered Knobs & Handles
p. 158



Pull Knobs
p. 159



T Handles
p. 159



Pull Handles
pp. 160-161

Spring-Loaded Devices

SPRING PLUNGERS



Spring Plungers
pp. 166-167



Short Spring Plungers
p. 168



Short Spring Plungers with Extended Travel
p. 169



Press-Fit Spring Plungers
p. 170

BALL PLUNGERS



Technical Information
p. 171



Ball Plungers
pp. 174-175



Press-Fit Ball Plungers
p. 176



Self-Retaining Ball Plungers
p. 177



Ball Detents
p. 173



Plunger Wrenches
p. 173

HAND-RETRACTABLE PLUNGERS



Knurled Head
p. 178



Threaded Stud for Knob Handle
p. 179



Pull Ring (Locking Type)
p. 180



Pull Ring (Non-Locking Type)
p. 181



L Handle (Short Stroke)
p. 182



L Handle (Long Stroke)
p. 183



Knob Handle
p. 184



Knob Handle with Mounting Plate
p. 185



Pull Ring (Extended-Locking Type)
p. 186

INDEX PLUNGERS



Tapered Index Plungers
pp. 187-189



Straight Index Plungers
pp. 190-192

SPRING STOP BUTTONS



Spherical Radius
p. 193



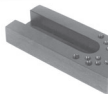
Flat Face with Tang
p. 195



Flat Face
p. 194



Heavy Duty
p. 196



**ALSO SEE:
Spring-Stop Button Adaptors (Modular Fixturing)**
p. 434

SPRING LOCATING PINS



Steel Pin (Coil Spring)
p. 197



Stainless Pin (Polyurethane Spring)
p. 198



Delrin® Pin (Polyurethane Spring)
p. 199



Tapped Receptacle
p. 200



Eccentric Liners
p. 200



**ALSO SEE:
Adjustable-Torque Thumb Screws (Handles, Knobs, & Screw Clamps)**
p. 121



**ALSO SEE:
Adjustable-Torque Knobs (Handles, Knobs, & Screw Clamps)**
p. 124



**ALSO SEE:
Torque Screw Jacks (Supports, Rests, & Feet)**
p. 230

Supports, Rests, and Feet

LEVELING FEET



Leveling Feet
p. 204



Stud Leveling Feet
p. 205



Jig Leveling Feet
p. 203



Jig Feet Leveling Assemblies
p. 203

SWIVEL PADS



Swivel Pads
p. 207



Swivel Nuts
p. 207

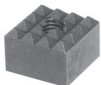


Swivel Pad Feet
p. 206

GRIPPERS



Round Grippers
pp. 208-210



Square Grippers
pp. 210-211



Edge Grippers
p. 212

(continued)



Gripper Contact Bolts
p. 213



Gripper Swivel Contact Bolts
pp. 214-215



Gripper Swivel Pads
pp. 216-217



Gripper Swivel Screws
p. 218



Round Carbide Pads
p. 218

REST BUTTONS & PADS



Rest Buttons
p. 220-221



Carbide-Tipped Rest Buttons
p. 221



Air Rest Buttons
pp. 222-223



Spherical-Radius Locator Buttons
p. 221



Jig Rest Buttons
p. 224



Screw Rest Pads
p. 225



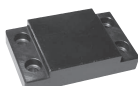
Screw Rest Buttons
p. 225



Swivel Contact Bolts
p. 226



Jig Leg Plates
p. 227



Heavy-Duty Rest Pads
p. 227

(continued)



Drill Jig Feet
p. 224



Double-End Jig Feet
p. 226



Height Shims
p. 228



Eccentric Leveling Lugs
p. 228



Manual Work Supports
p. 229

SCREW JACKS



Knurled Screw Jacks
p. 230



Torque Screw Jacks
p. 230



Adjustable Locating Buttons
p. 230



Heavy-Duty Screw Jacks
p. 231



Through-Hole Leveling Jacks
pp. 232-233



V Blocks
p. 234



**ALSO SEE:
Modular Supports
& Locators
(Modular Fixturing)**
pp. 430-439

Locators

LOCATING PINS



Round & Diamond Pins
pp. 238-239



Round & Diamond Locating Pins
pp. 240-243



Round & Diamond Locating Pins, DIN 6321
pp. 244-245



Floating Locating Pins
p. 246



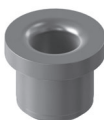
Bullet-Nose Round & Diamond Pins
p. 247



Bullet-Nose Dowels
p. 248



Cone Locator Pins
p. 248



ON-SIZE® Bushings
p. 249

CONSTRUCTION BALLS



Construction Balls (Shoulder Type)
pp. 242-243



Construction Balls (Adjustable Type)
p. 244

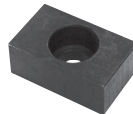


Construction-Ball Pads
pp. 253-254

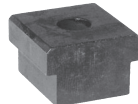


Construction-Ball Covers
p. 252

FIXTURE KEYS



Fixture Keys
p. 255



Step Fixture Keys
p. 255



Sure-Lock™ Fixture Keys
p. 256

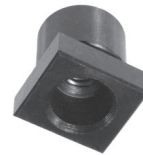


Locating Keys
p. 257



Pallet Fixture Keys
p. 258

(continued)



Reamed-Hole Fixture Keys
p. 256



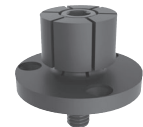
Mill Fixture Keys
p. 258



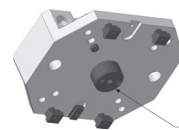
ALSO SEE: Carr Lock® System (Jig and Fixture Bases)
pp. 358-372



ALSO SEE: Fixture Locating Pins (Modular Fixturing)
p. 429



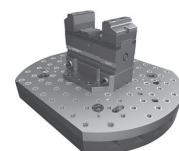
ALSO SEE: ID Clamps (Clamps & Accessories)
pp. 309-311



ALSO SEE: Center Locating Keys For Rotary Tables
p. 394



ALSO SEE: Rest Buttons & Pads
pp. 220-227



ALSO SEE: CL5® Quick-Change 5-Axis Workholding
pp. 373-394

Clamps and Accessories

CLAMP STRAPS



Forged Adjustable Clamps
p. 262



Slotted-Heel Clamp Straps
pp. 263-266



Tapped-Heel Clamp Straps
pp. 269-274



Double-End Clamp Straps
pp. 276-277



Step Blocks & Clamps
pp. 279-280



Forged U Clamps
p. 278

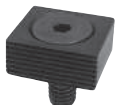


Aluminum Adjustable Clamps
p. 278

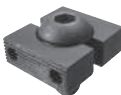


**ALSO SEE:
High-Rise Clamps
(Modular Fixturing)**
pp. 442-443

EDGE CLAMPS



Tiny Vise® Edge Clamps
pp. 282-290



Tiny Vise® Double Edge Clamps
pp. 288-290

(continued)



Serrated Adjustable Edge Clamps
p. 292



Serrated Fixed Edge Clamps
p. 293



Cam Edge Clamps
p. 291



Pivoting Edge Clamps
p. 294



**ALSO SEE:
Pivoting Edge Clamps
(Modular Fixturing)**
p. 450



**ALSO SEE:
Hydraulic Edge Clamps
(ROEMHELD Power Workholding)**
p. 622

SWING CLAMPS



Hook Clamps
pp. 297-300



One-Touch Quick Acting Swing Clamps
pp. 301-303



Floating Clamps
p. 305



Swing Clamp Assemblies
pp. 306-307



Up-Thrust Clamps
p. 304



**ALSO SEE:
Hydraulic & Air-Powered Swing Clamps
(ROEMHELD Power Workholding)**
pp. 628-638



ID Clamps
pp. 308-310

NUTS



Acorn Nuts
p. 311



Knurled Nuts
p. 311



Knurled Check Nuts
p. 311



Hex Nuts
p. 312



Jam Nuts
p. 312



Flange Nuts
p. 313



Coupling Nuts
p. 313



Spherical Nuts & Washers
p. 314



**ALSO SEE:
Bar-Handle Nuts
(Handles, Knobs,
& Screw Clamps)**
p. 113



**ALSO SEE:
Bar Knobs (Handles,
Knobs, and Screw
Clamps)**
p. 108

WASHERS



Spherical Washers
p. 315



Flat Washers
p. 316



Knurled-Face Washers
p. 316



C Washers
p. 317



Swing C Washers
p. 317



**ALSO SEE:
Flanged Washers
(Toggle Clamps)**
p. 526

STUDS, BOLTS, & T NUTS



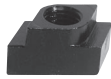
Shoulder Screws
p. 324



Studs
pp. 318-319



T Nuts
pp. 320-321



Rotary T Nuts
p. 322



T-Slot Bolts
p. 323



Eye Bolts
p. 326



Swing Bolts
p. 325

CAMS



Cam Handles
p. 327



ALSO SEE:
Cam-Strap Assemblies with Cam Handles
pp. 267, 269-270, 277-278



ALSO SEE:
Cam Edge Clamps
p. 291



ALSO SEE:
Vertical-Handle Cam Clamps (Toggle Clamps)
p. 478

CLAMP RESTS & ACCESSORIES



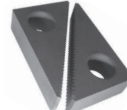
Clamp Rests
p. 329



Guide Blocks
p. 330



Clamp Springs
p. 330

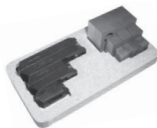


Step Blocks
pp. 279-280



ALSO SEE:
Stud Leveling Feet (Supports, Rests, & Feet)
p. 205

CLAMPING KITS



Step Block & Clamp Sets
p. 260



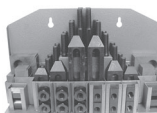
T Nut & Stud Sets
p. 321



Rotary T Nut & Stud Sets
p. 322



T-Slot Bolt Kits
p. 323



Clamping Kits
p. 330



Deluxe Clamping Kits
pp. 332-333

PORTABLE CLAMPS



Shark Clamps
p. 334



Swing C Clamps
p. 335



Drill-Press Clamps
pp. 336-337



Also see Forged Toggle Pliers (Toggle Clamps)
pp. 511-513

HAMMERS & HAND TOOLS



T-Slot Cleaners
p. 321



Simplex Hammers
pp. 338-340



No-Rebound Hammers
pp. 341-343



Soft-Face Punches
p. 343



No-Mar Aluminum Hammers
p. 343



ALSO SEE:
Toggle Clamps
pp. 451-526



ALSO SEE:
Hydraulic Power Workholding
pp. 603-736



ALSO SEE:
Air-Powered Swing Clamps
pp. 628-629



ALSO SEE:
Precision Vises
pp. 656-671

Threaded Inserts

KEY INSERTS



Technical Information
p. 346



Key Inserts (Heavy Duty)
pp. 347-348



Key Inserts (Thinwall)
p. 349



Solid Key Inserts
p. 350



Key Insert Installation Tools
p. 347-351

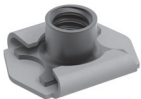


Key Insert Assortments
p. 351

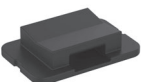
ADHESIVELY BONDED FASTENERS



Adhesively Bonded Studs
p. 352



Adhesively Bonded Floating Nut Plates
p. 353



Adhesively Bonded Lanyard Mounts
p. 353

Jig and Fixture Bases

CarrLock SYSTEM



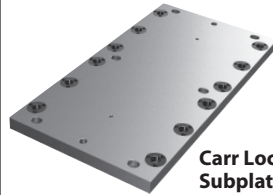
Carr Lock® Clamps
p. 358



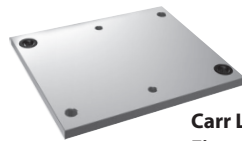
Carr Lock® Liner Bushings
p. 359



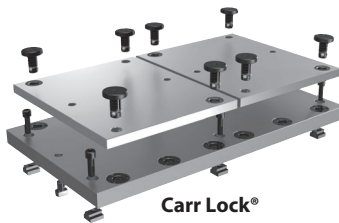
Carr Lock® Receiver Bushings
p. 360



Carr Lock® Subplates
pp. 361-368



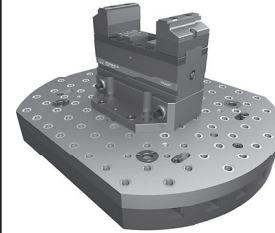
Carr Lock® Fixture Plates
pp. 369-371



Carr Lock® System Kits
pp. 361-368, 372



QUICK-CHANGE 5-AXIS WORKHOLDING



System Features and Options
pp. 374-377



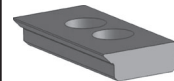
Quintus Zero-Point Quick-Change Risers
pp. 378-380



Riser Blocks
p. 381



5-Axis Vises
pp. 382-383



Dovetail Clamping
p. 384-385

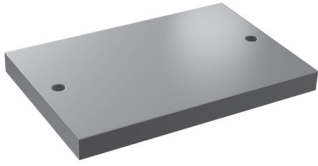


Fixture Plates
pp. 386-393, 663-669

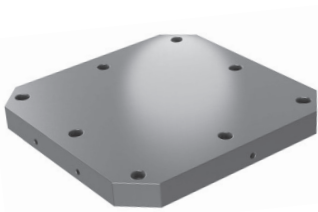


ALSO SEE: DropZero® Modular Zero-Point System
pp. 672-675

BLANK TOOLING PLATES



**Rectangular
Tooling Plates**
p. 398



**Square Pallet
Tooling Plates**
p. 399

BLANK TOOLING BLOCKS

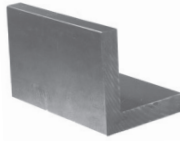


**Two-Sided
Tooling Blocks**
p. 400



**Four-Sided
Tooling Blocks**
p. 401

CAST SECTIONS



L
p. 405

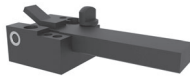


V
p. 405



Square
p. 405

HINGED BUSHING PLATES

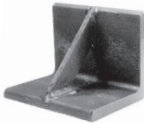


**Hinged Bushing
Plates**
pp. 406-407

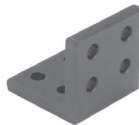
ANGLE BRACKETS



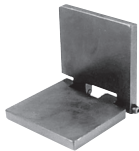
Angle Brackets
p. 402



**Gusseted
Angle Brackets**
p. 402



**Angle Brackets
with Locating
Holes**
p. 403

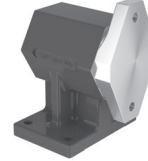


**Adjustable
Angles**
p. 404

TRUNNIONS



**Locking
Trunnions**
p. 408



**Revolving
Trunnions**
p. 409

ADJUSTABLE LOCKING HUBS



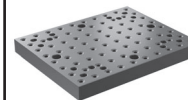
**Heavy Duty/
Stainless**
pp. 411-413



**Medium Duty/
Plastic**
p. 414



**ALSO SEE:
CARVESMART™
Dovetailed Quick-
Change Vise Jaw
System**
p. 662



**ALSO SEE:
Modular Tooling
Plates & Blocks
(Modular Fixturing)**
pp. 424-427



**ALSO SEE:
DropZero®
Modular
Zero-Point System**
pp. 672-675



**ALSO SEE:
Precision Vises**
pp. 656-683



**ALSO SEE:
Assembly & Handling
Technology**
pp. 734-735

Modular Fixturing



Technical Information
pp. 420-423



**Modular Tooling
Plates & Blocks**
pp. 424-427



**Modular Mounting
Accessories**
pp. 428-429



**Modular Supports
& Locators**
pp. 430-438



Modular Clamps
pp. 439-450

Toggle Clamps



**Technical
Information**
p. 452



**Horizontal-Handle
Toggle Clamps**
p. 455 (Index)



**Vertical-Handle
Toggle Clamps**
pp. 465-466 (Index)



**Push/Pull
Toggle Clamps
(Plunger Type)**
p. 490 (Index)



**Latch-Action Toggle
Clamps**
p. 502 (Index)



Toggle Pliers
p. 510 (Index)



Air-Powered Clamps
p. 515 (Index)



**Toggle Clamp
Accessories**
pp. 522-526

Stage & Film



**Glow Wagon
Brakes**
p. 528



**ALSO SEE:
Hoist Rings**
p. 73-92



**ALSO SEE:
Lifting Pins**
pp. 58-59



**ALSO SEE:
Ball Lock Pins**
pp. 46-57



**ALSO SEE:
Threaded Inserts**
pp. 345-351



**ALSO SEE:
Hi-Viz Hammers**
p. 342

Drill Bushings



Technical Information
pp. 532-537



Quick-Ship Drill Bushings
pp. 538-539



Press-Fit Bushings
pp. 540-551



Renewable Bushings
pp. 552-558



Liner Bushings
pp. 559-564



Bushing Handles
p. 565



Lockscrews and Clamps
pp. 566-567



Chip-Breaker Bushings
pp. 568-569



Directed-Coolant Bushings
pp. 570-571



Oil-Groove Bushings
pp. 572-574



Castable Bushings
pp. 575-579



Template Bushings
pp. 580-583



Gun-Drill Bushings
pp. 584-586



Air-Feed Bushings
pp. 587-601

ROEMHELD Power Workholding



Product Features, Design Information, and Safety Precautions
pp. 608-616



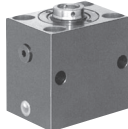
Swing Clamps
pp. 628-638



Extending Clamps
pp. 620-626



Threaded Cylinders
pp. 640-650



Block Cylinders
pp. 644-645



Work Supports
p. 651 (Index)



Fixture Clamps
pp. 677-679



Hydraulic Power Sources
pp. 680-681 (Index)



Hydraulic Valves
pp. 693-694 (Index)



Fittings & Accessories
p. 705 (Index)



Zero-Point Mounting Systems
pp. 663-669, 672-675



Precision Vises
pp. 656-657 (Index)



Assembly & Handling Technology
pp. 734-735

ALPHABETICAL INDEX

KEY TO CATALOG SECTIONS

Tooling Components	Tabbed Sections 1-9 (pages 27-414)
Modular Fixturing	Tabbed Section 10 (pages 415-450)
Toggle Clamps	Tabbed Section 11 (pages 451-526)
Stage & Film	Tabbed Section 12 (pages 527-528)
Drill Jig Bushings	Tabbed Section 13 (pages 529-602)
Power Workholding	Tabbed Section 14 (pages 603-736)

A

A.....	587-601
AA.....	404
AB.....	402
ABA.....	402
ABK.....	403
ABLB.....	403
ABP.....	54-55
Accessories, Toggle Clamp.....	522-526
Accumulators.....	715
Acorn Nuts.....	311
ACV.....	521
Adhesively Bonded Fasteners.....	352-355
Adjustable Angles.....	404
Adjustable Ball Lock Pins.....	54-55
Adjustable Clamps, Aluminum.....	278
Adjustable Clamps, Forged.....	262, 332, 336
Adjustable Clamps, Serrated.....	292-293, 448-449
Adjustable Handles.....	147-149
Adjustable Lever Handles.....	150-151
Adjustable Locking Hubs.....	410-414
Adjustable Locating Buttons.....	230
Adjustable-Torque Knobs.....	125
Adjustable-Torque Thumb Screws.....	124
AED.....	719
AFC.....	719
AFL.....	599
AH.....	147
AHL.....	150-151
AHP.....	148-149
AHTC.....	462
Air-Control Accessories.....	521, 719
Air Feed Bushings.....	587-601
Air-Feed Lockscrews.....	599
Air Fittings.....	521, 728
Air Power Units.....	686-688
Air-Powered Swing Clamps.....	628-629
Air-Powered Toggle Clamps.....	515-521
Air Rest Buttons.....	222-223
ALH.....	411-414
Alignment Pins.....	27-72
All-in-One Washers.....	315
Aluminum Adjustable Clamps.....	278
Aluminum Hand Knobs.....	96, 101
Aluminum Hand Wheels.....	128, 130
AN.....	311
Anchor Shackles.....	91

Angle Brackets.....	402-404
Angle Brackets, Gusseted.....	402, 401
Angles, Adjustable.....	404
Angles, Cast Section.....	405
AP.....	686-688
ARB.....	222
ASCA.....	629
Assemblies, Cable.....	66-68
Assemblies, Hand Knob.....	102-103
Assemblies, Hook Clamp.....	297-300, 444
Assemblies, Jig-Feet Leveling.....	203
Assemblies, Knob Shoe.....	104
AT.....	598
ATC.....	479
ATK.....	125
Auto-Locking Plungers.....	186
Automotive Clamps.....	480-483
Automatic Toggle Clamps.....	462, 479

B

Backstops, Locating.....	450
Balanced Crank Handles.....	145
Ball Detents.....	173
Ball-End Thrust Screws.....	126
Ball Knobs.....	152-154
Ball Lock Coupling Rings.....	72
Ball Lock Pins.....	46-57
Ball Lock Receiver Caps.....	60
Ball Plungers.....	171-172, 174-177
Balls, Construction.....	250-252
Balls, Plastic.....	152-153
Bar Clamps, Toggle.....	514
Bar-Handle Screw Clamps.....	112-113
Bar-Handle Nuts.....	113
Bar Knobs.....	108
Bar-Lok Quick-Acting Screw Clamps.....	114-115
BD.....	173
BDP.....	247
BH.....	565
BHQC.....	565
BHN.....	113
BHS.....	112-113
BK.....	108
Blank Tooling Blocks.....	400-401
Blank Tooling Plates.....	369-371

.....	386-391, 398-399
BLCR.....	72
BLH.....	52-53
BLK.....	114
BLM.....	115
Block Clamps.....	644-645
Block Cylinders.....	644-645
Block Push Clamps.....	644-645
Blocks, Four-Sided Tooling.....	401, 427
Blocks, Guide.....	330
Blocks, Riser.....	443
Blocks, Step.....	279-280
Blocks, Tooling.....	400-401, 426-427
Blocks, Two-Sided Tooling.....	400, 426
Blocks, V.....	234, 435
BLP.....	48-49
BLR.....	60
BLT.....	114
BND.....	247-248
BNV.....	249
Bodies for Swivel Screws.....	118
Bolt Retainers.....	526
Bolts, Angle Bracket Locating.....	403
Bolts, Contact.....	118-121, 213-215, 218 225-226, 446, 732
Bolts, Eye.....	326
Bolts, Latch (See Swing Bolts).....	325
Bolts, Swing.....	325
Bolts, T.....	323
Bolts, T-Slot.....	323
Bore Clamps.....	308-309
BP.....	174
BPD.....	56-57
BPNV.....	249
BR.....	526
BRP.....	247
Brackets, Angle.....	402-404
BS.....	279
BSH.....	280
BSS.....	118
Bullet-Nose Dowels and Bushings.....	248
Bullet-Nose Pins and Bushings.....	247
Bushing Handles.....	565
Bushings, Air Feed.....	587-599
Bushings, Bullet-Nose Dowel Pin.....	248
Bushings, Chip Breaker.....	568-569
Bushings, Circuit Board.....	See website
Bushings, Cone Locator Pin.....	248
Bushings, Diamond Groove.....	575-576

Bushings, Directed Coolant	570-571
Bushings, Drill Jig	531-602
Bushings, EZ Cast	579
Bushings, Gun Drill	584-586
Bushings, Head Liner	562-563
Bushings, Head Press Fit	545-549
Bushings, Liner	559-561
Bushings, Locating Pin	247-249
Bushings, Oil Groove.....	572-574
Bushings, Press Fit	540-551
Bushings, Serrata Groove	577
Bushings, Serrated Press Fit	550-551
Bushings, Slip/Fix Renewable	552-556
Bushings, Slotted Locator	42-45
Bushings, Straight Index Plungers.....	190-192
Bushings, Tapered Index Plungers.....	187-189
Bushings, Template	580-583
Bushings, Un-A-Lok™ Liner	564
Bushings, Un-A-Lok™ Liner, Diamond Knurl	578
Buttons, Adjustable Locating	230
Buttons, Jig Rest	224
Buttons, Rest	221-225
Buttons, Screw Rest	225
Buttons, Spherical-Radius Locator	221
Buttons, Spring-Stop	193-195, 434
 C	
C.....	69
C Clamps.....	335
C Washers.....	317
C Washers, Swing	317
CA.....	297
CAA.....	405
Cable Assemblies.....	66-68
Cable Rings.....	70
Cables.....	66-69
Cable Tabs.....	70
CAC.....	297
Cam-Action Hold-Down Clamps	478
Cam Edge Clamps	291, 447
Cam Handles.....	327
Cam-Type Clamp Straps.....	264-265, 267-268, 276
Cap Screws, Hex-Head.....	428
Cap Screws, Socket-Head.....	428
Captive Clamping Pins	36-40
Captive Jig Pins	34
Captive Locating Screws	36-40
Carbide-Tipped Rest Buttons	221
Carr Lock® Clamps	358
Carr Lock® Fixture Plates	369-371
Carr Lock® Liner Bushings.....	359
Carr Lock® Receiver Bushings.....	360
Carr Lock® System	358-372
Carr Lock® System Kits	361-368
Carr Lock® Subplates	362-368
Cast Sections	405
CB.....	252, 732
CBP.....	253
CBPK.....	254
CBPR.....	254
CBU.....	See website
CC.....	524
CCPT	40
CH.....	327, 568
CHB.....	145
Check Nuts, Knurled	311
Check Valves, Air.....	521
Check Valves, Hydraulic.....	702, 704
CHM.....	569
CHP	146
Chip Breaker Drill Bushings	568-569
Circuit Board Drill Bushings.....	See website
CJP	34
CJPA	34
CK.....	331
CKH.....	331
CKMH.....	331
CL5® 5-Axis Workholding	373-394
CLK.....	394
Clamp Assemblies, Cam-Type.....	264-265, 267-268, 276
Clamp Assemblies, Double-End	276-277, 441
Clamp Assemblies, Hook.....	297-300, 444-445
Clamp Assemblies, Slotted-Heel	264-268, 440
Clamp Assemblies, Swing	301-303, 306-307, 447
Clamp Assemblies, Tapered-Nose	272
Clamp Assemblies, Tapped-Heel	269-271, 274
Clamp Assemblies, Wide-Nose	273
Clamp Heels (See Clamp Rests)	329
Clamp Rest Screws.....	329
Clamp Rests.....	329
Clamp Springs	330
Clamp Strap Assemblies.....	262-274, 276-277, 441-442
Clamp Straps, Cam-Type.....	264-265, 267-268, 276
Clamp Straps, Double-End	276-277, 441
Clamp Straps, Forged Gooseneck	275, 277
Clamp Straps, Forged Straight	275
Clamp Straps, Locator Nose	275
Clamp Straps, Slotted-Heel	263-268, 440
Clamp Straps, Tapered-Nose	272
Clamp Straps, Tapped-Heel.....	269-274
Clamp Straps, Tapped-Heel Padded.....	274
Clamp Straps, U-Shaped	278
Clamp Straps, Wide-Nose	273
Clamping Kits.....	331-333
Clamping Pins.....	35-36
Clamping Pins, Captive	36-40
Clamping Pins, Locking	36, 40
Clamping Valves	521, 695-697
Clamps, Air-Powered	515-520, 628-629
Clamps, Aluminum Adjustable	278
Clamps, Automotive.....	480-483
Clamps, Bar.....	514
Clamps, Block.....	644-645
Clamps, Bushing	566-567
Clamps, C.....	335
Clamps, Cam-Action Hold-Down	478
Clamps, Cam Edge.....	291, 447
Clamps, Carr Lock®	358
Clamps, Drill-Press	336-337
Clamps, Edge	281-295, 447, 622
Clamps, Electric.....	See website
Clamps, Expanding.....	308-309
Clamps, Extending.....	620-621, 623-626
Clamps, Flat.....	620-621
Clamps, Forged Adjustable	262
Clamps, Forged Strap	262, 275
Clamps, Forged U.....	278
Clamps, High-Rise	442-443
Clamps, Hinge	624-626
Clamps, Hook.....	297-300, 444-445
Clamps, Hold-Down Toggle	455-489
Clamps, Hydraulic	618-626, 630-650
Clamps, ID	308-309
Clamps, Internal.....	308-309
Clamps, Latch Action	502-509
Clamps, Plain	279
Clamps, Plate.....	480-483
Clamps, Power.....	515-521, 603-731
Clamps, Push/Pull Toggle.....	490-501
Clamps, Quick-Acting Screw	114-115
Clamps, Round	566-567
Clamps, Screw	102-104, 107, 112-122, 148-151
Clamps, Self-Adjusting Plunger.....	494, 497, 501
Clamps, Serrated Adjustable	292-293, 448-449
Clamps, Shark	334
Clamps, Step	279-280
Clamps, Strap	262-278
Clamps, Power Workholding	608-679
Clamps, Swing	297-307 335, 444, 447, 628-638
Clamps, Swivel Screw	104, 112-113, 114, 117-121, 124
Clamps, Toe	282-295
Clamps, Toggle.....	451-526
Clamps, Tubing	723
Clamps, Up-Thrust	304, 447
CLB.....	247, 248
CLBR.....	360
CLC.....	358, 361-371
Clevis Pins.....	327
CLFP.....	361-371
CLFR.....	360
Clinch-Lok® (See Template Bushings)	580-581

Clips, Hoist Ring	91
CLK.....	394
CLMK.....	372
CLP.....	248
CLPK.....	358
CLPL.....	359
CLPP.....	372
CLRS.....	393
CLS.....	37-38
CLSK.....	361-368
CLSL.....	359
CLSP.....	361-368
CLTW.....	372
CLVP.....	327
CN.....	313
Collet Vises.....	See website
Compact Clamps.....	623
Concentric Clamps.....	See website
Concentric Vises.....	670-671, 678
Cone-Cushion Spindles.....	524
Cone Locator Pins and Bushings.....	248
Construction-Ball Covers.....	252
Construction-Ball Pads.....	253
Construction Balls.....	250-252
Construction Balls, Shoulder.....	250-251
Contact Bolts.....	118-121, 213-215, 225-226
Control Cylinders.....	See website
Coupling Elements.....	716-717
Coupling Nuts.....	313
Coupling Rings, Ball Lock.....	72
Couplings, Hydraulic.....	706-717
Couplings, Rotary.....	706-708
Couplings, Rotary Valve.....	709-712
COVER.....	228, 252
Covers, Construction-Ball.....	252
Covers, Eccentric-Leveling-Lug.....	228
Covers, Optical-Cup Mount.....	See website
CP.....	35, 268, 274
CPKK.....	40
CPU.....	See website
CR.....	329
Crank Handles.....	144-146
Crank Handles, Balanced.....	145
Crimp Gages.....	71
Crimping Tools.....	71
CRS.....	329
CS.....	263-270, 274, 276
CSHK.....	38
CSHKA.....	38
CST.....	405
CT.....	71
CTDF.....	71
CTRB.....	221
CW.....	317
Cylinders, Hydraulic.....	639-647
Cylinders, Riser.....	445
Cylinders, Support.....	430-431

D

DC.....	570
DCHL.....	571
DCK.....	333

DCKN.....	333
DCL.....	571
DEA.....	276
Decouplers, Pallet.....	713-714
DEJF.....	226
Delt-A-Groove (See Diamond Groove Bushings).....	575-576
Deluxe Clamping Kits.....	332-333
DEP.....	61
Detent Pins.....	61-63
Detents, Ball.....	173
DF.....	69
DG.....	575
DGM.....	576
Diamond Groove Drill Bushings.....	575-576
Diamond Locating Pins.....	240-243, 244-245
Diamond Pins.....	238-245, 429
Directed Coolant Bushings.....	570-571
Directional-Control Valves.....	521, 695-697
Disconnects, Hydraulic Quick.....	720
DJF.....	224
DLT.....	242-243
Double-Acting Ball Lock Pins.....	56-57
Double Edge Clamps, TINY VISE®.....	288-290
Double-End Clamp Straps.....	276-277, 441
Double-End Jig Feet.....	226
Dowels, Bullet-Nose.....	248
DPT.....	240-241
DPX.....	239
DPY.....	239
DPZ.....	239
Drill Bushings, Air Feed.....	587-601
Drill Bushings, Chip Breaker.....	568-569
Drill Bushings, Circuit Board.....	See website
Drill Bushings, Diamond Groove.....	575-576
Drill Bushings, Directed Coolant.....	570-571
Drill Bushings, EZ Cast.....	579
Drill Bushings, Gun Drill.....	584-586
Drill Bushings, Head Liner.....	562-563
Drill Bushings, Head Press Fit.....	545-549
Drill Bushings, Liner.....	559-561
Drill Bushings, Oil Groove.....	572-574
Drill Bushings, Press Fit.....	540-551
Drill Bushings, Serrata Groove.....	557
Drill Bushings, Serrated Press Fit.....	550-551
Drill Bushings, Slip/Fix Renewable.....	552-556
Drill Bushings, Template.....	580-583
Drill Bushings, Un-A-Lok™ Liner.....	564
Drill Bushings, Un-A-Lok™ Liner, Diamond Knurl.....	578
Drill Jig Feet.....	224
Drill Jigs.....	406-407
Drill-Press Clamps.....	336-337
DropZero™ Zero Point Mounting....	672-675
Duplex Ferrules.....	69
DVJI.....	384

E

EB.....	326
EC.....	622

Eccentric Leveling Lugs.....	228
Eccentric Leveling Lug Covers.....	228
Eccentric Liner.....	200
Economy Detent Pins.....	62
EDP.....	62
Edge Clamps, Cam.....	291, 447
Edge Clamps, Hydraulic.....	622
Edge Clamps, Pivoting.....	294-295, 450
Edge Clamps, Serrated.....	292-293, 448-449
Edge Clamps, TINY VISE®.....	282-290
Edge Grippers.....	212
EDP.....	62
EG.....	212
EHRP.....	186
Electric Clamps.....	See website
Electric Power Units.....	682-685
ELL.....	228
EP.....	682-685
EXP.....	64
Expanding Clamps.....	308-309
Expanding Pins.....	64-65
EXPH.....	65
Extending Clamps.....	620-621, 623-626
Extension Nuts (see Coupling Nuts).....	313
Extension Supports.....	433
Eye Bolts.....	326
Eye Bolts, Lifting.....	89
EZ.....	579
EZ Cast Drill Bushings.....	579
EZ-Torque™ Swivel Hoist Rings.....	81

F

F.....	69, 706-707, 713, 719-720
FAC.....	262, 336
FACA.....	262, 336
FAS.....	91
Fasteners, Adhesively Bonded.....	352-355
Fasteners, Threaded.....	345-355
Fast-Lok™ Plate Lifting System.....	See website
FC.....	523-567
FCP.....	523
FCQA.....	523
FD.....	See website
Feet, Double-End Jig.....	226
Feet, Drill Jig.....	224
Feet, Jig Leveling.....	203
Feet, Jig-Leveling Assemblies.....	203
Feet, Leveling.....	202-205
Feet, Stud Leveling.....	205
Feet, Swivel Screw.....	119
Ferrules.....	69
FFN.....	313
FGNS.....	275
FHN.....	312
FHSS.....	293
FHW.....	137
Fifth-Axis (see CL5).....	373-394
Filter/Regulators.....	719

Filters, High-Pressure Inline	721
Finger Handles	138
Finger Pins	138
Fittings, Air & Hydraulic	521, 728-729
Five-Axis Vises	382-385, 663-669
Five-Axis Workholding	373-394, 663-669
Fixture Bases, Blank	361, 369-371
	386-391, 398-399
Fixture Clamps	677-679
Fixture Hose	722
Fixture Keys	255-258
Fixture Keys, Mill	258
Fixture Keys, Pallet	258
Fixture Keys, Reamed-Hole	256
Fixture Keys, Step	255
Fixture Keys, Sure-Lock™	256
Fixture Machining Kits	372
Fixture Plates	361-371, 374-377
	386-393, 398-399
FJN	312
FK	255
FL	722
Flange Nuts	313
Flanged Washers	526
Flat Clamps	567, 620-621
Flat-Cushion Spindles	523
Flat-Head Socket Screws	287, 293
Flat Milled Renewable Drill Bushings	557
Flat Washers	316
FLC	305
Floating Clamps	305
Floating Locating Pins	246
Flow-Control Valves	703-704
FLP	246
FLPS	See website
Fluid, Hydraulic	722
Fluid Pressure Gauges	719
Fluted Knobs	97-98, 136
FM	557-558
FN	313
Foldable Revolving Handles	141
Foot Pumps	689
Forged Adjustable Clamps	262, 336
Forged Anchor Shackles	91
Forged Gooseneck Clamp Straps	275, 277
Forged Rings	91
Forged Straight Clamp Straps	275
Forged U Clamps	278
Four-Prong Knobs	100-108
Four-Sided Tooling Blocks	401, 427
FP	138
FR	91, 719
FRH	141
FRL	719
FSS	119
FTBB	401
FTPM	427
FUC	278
FW	316

G

GA	719
GAB	402
Gages, Locating	429
Gauges, Hydraulic Pressure	719
GB	330
GBF	215
GBFN	215
GCB	213
GCS	267, 277
GCSA	267, 277
GD	584-586
GDD	586
GDE	586
GDH	586
GDI	585
GDL	584
Glow Wagon Brakes	528
Gooseneck Clamp Straps	267, 275, 277
Gripper Contact Bolts	213
Gripper Swivel Contact Bolts	214-215
Gripper Swivel Pads	216-217
Gripper Swivel Screws	218
Grippers	208-218
GSB	215
GSF	218
GSP	216
GSPF	217
GSPN	217
GSPS	217
GSS	218
Guide Blocks	330
Gun Drill Bushings	584-586
Gunsetted Angle Brackets	402, 404

H

H	144, 545-547, 722
Half-Turn Screws	111
Hammers, No-Rebound	341-343
Hammers, No-Mar	343
Hammers, Simplex	338-340
Hand-Knob Assemblies	102-104
Hand Knobs	96-110
Hand Knobs, Fluted	97-98, 136
Hand Knobs, Four-Prong	100-108
Hand Knobs, Star	99
Hand Knobs, T-Handle	110
Hand Knobs, Three-Prong	109
Hand Knobs, Palm Grip	96
Hand Pumps	689
Hand Retractable Plungers	179-186
Hand Retractable Plungers, Extended Locking Version	186
Hand Wheel Handles	138-141
Hand Wheels	128-137
Hand Wheels, Fluted	137
Hand Wheel Modifications	127
Handles, Adjustable	147-151
Handles, Cam	327

Handles, Crank	144-146
Handles, Finger	138
Handles, Hand Wheel	138-141
Handles, Knob	152-159
Handles, Lever	142
Handles, Palm Grip	156
Handles, Plastic	140-141, 146, 148-149
	152-153, 155-160
Handles, Revolving	139-141
Handles, Revolving Ball	141
Handles, Speed Ball	144
Handles, Solid	138
Handles, T	159
Handles, Tapered	158
HBP	406
HBPA	407
HBPBK	407
HC	650
HDC	488-489
HDLE	See website
HDRP	227
Head Liner Drill Bushings	562-563
Head Press Fit Drill Bushings	545-549
Headed Slotted Locator Bushings	44
Heat-Resistant Bushings	249
Heavy-Duty Ball Lock Pins	52-53
Heavy-Duty Lifting Eyes	See website
Heavy-Duty Rest Pads	227
Heavy-Duty Screw Jacks	231, 438
Heavy-Duty Spring Stops	196
Heavy-Duty Swivel Hoist Rings	82-83
Heavy-Duty Toggle Clamps	480-483, 488-489
Height Shims	445
Hex Nuts (HN)	312
Hex-Head Cap Screws	428
Hex-Head Spindles	522
HI	See website
High-Pressure Inline Filters	721
High-Rise Clamps	442-443
HILMA Precision Machine Vises	658-659
Hinge Clamps	624-626
Hinged Bushing Plates	406-407
HK	101, 105
HKT	102
HL	562
HLD	600
HLL	600
HM	549, 563
HN	312
Hoist Eye 360°	90
Hoist Ring Clips	91
Hoist Rings, Pivoting	88
Hoist Rings, Safety	84
Hoist Rings, Shackle	See website
Hoist Rings, Heavy-Duty Side Pull	86-87
Hoist Rings, Swivel	76-83
Hollow Plunger Clamps	649
Hook Clamps	297-300, 444-445
Horizontal-Handle Toggle Clamps	455-464
Horizontal V Blocks	435

Hose, Hydraulic	See website
HP	689
HPA	689
HR	88
HRC	91
HRP	178
HRPK	184
HRPM	185
HRPT	179
HSLB	44
HTC	455-464
HTCA	337
HTCD	337
HTS	111
Hubs, Adjustable Locking	410-414
HVTC	480-483
HWAF	128
HWAR	129, 136
HWAS	132
HWSD	135
HWSF	128
HWSS	130-131, 134, 136
HWTR	133
HWTS	130
Hydraulic Clamps	618-626, 630-650
Hydraulic Cylinders	639-647
Hydraulic Fittings & Accessories	705-735
Hydraulic Fluid	722
Hydraulic Intensifiers	691
Hydraulic Machine Vises	382-383, 656-679
Hydraulic Swing Clamps	630-638
Hydraulic Valves	693-704
Hydraulic Work Supports	652-654

I

IDC	308
ID Clamps	308-309
Index Plungers	187-189
Inline Filters, High-Pressure	721
Inserts, Key	346-351
Intensifiers, Hydraulic	691-692
Invar Bushings	249

J

Jacks, Screw	230-231, 434-447
Jam Nuts	312
Jaws, Vise	660-661, 669
JF	203
JFL	203
Jig Feet, Double-End	226
Jig Feet, Drill	224
Jig Feet, Leveling	203
Jig Feet, Leveling Assemblies	203
Jig Leg Plates	227
Jig Pins	30
Jig Pins, Captive	34
Jig Pins, Locking	34
Jig Plates	406-407
Jig Rest Buttons	224

JLP	227
JN	312
JP	30
JRB	224

K

KA	66-67
Key Insert Assortments	351
Key Inserts	346-351
Key Rings, Ball Lock	72
Keys, Center Locating	394
Keys, Fixture	255-258
Keys, Locating	257
Keys, Mill Fixture	258
Keys, Reamed-Hole Fixture	256
Keys, Step Fixture	255
Keys, Subplate Locating	257
Keys, Sure-Lock™ Fixture	256
KFW	316
KH	157
KHS	117
Kits, Carr Lock® System	358-372
Kits, Clamping	331-333
Kits, T Nut and Stud	321-322
Kits, T-Slot Bolt	323
KK	123
KN	311
Knob-Shoe Assemblies	104
Knob Handles	152-159
Knobs, Adjustable Torque	125
Knobs, Ball	152-154
Knobs, Bar	108
Knobs, Hand	96-110
Knobs, Fluted	96-99, 136
Knobs, Four-Prong	100-108
Knobs, Knurled	123, 125-126
Knobs, Oval Ball	153
Knobs, Oval Tapered	155
Knobs, Palm-Grip Hand	96
Knobs, Plastic	109-110, 126
	152-153, 155-159
Knobs, Pull	159
Knobs, Quick-Acting	108
Knobs, Quick-Acting Knurled	125
Knobs, Star	99
Knobs, Tapered	155-158
Knobs, T-Handle	159
Knobs, Three-Prong	109
Knurled Check Nuts	311
Knurled-Face Washers	316
Knurled Head Screws	117
Knurled Knobs	123-126
Knurled Nuts	311
Knurled Screw Jacks	230, 437
Knurled Torque Knobs	124-125
KR	70
KS	347, 351
KSA	104, 456
KSC	351
KSF	351
KSJ	230, 437

KSK	347
KSM	347
KSMC	351
KSMT	347-348
KSS	350-351
KSSM	350
KSST	348, 350-351
KST	347-349, 351
KTK	126

L

L Pins	29
L	559-560
Lanyards, Cable	66-68
Lanyards, Nylon	72
Latch-Action Toggle Clamps	502-509
Latch Bolts (see Swing Bolts)	325
Latch Plates	503-508
LB	230
LCP	36
LE	89
Leg Plates, Jig	227
Leveling Assemblies, Jig Feet	203
Leveling Feet	204-205
Leveling Feet, Jig	203
Leveling Feet, Stud	205
Leveling Jacks	233
Leveling Lugs, Eccentric	228
Lever Bars	143
Lever Handles	142-151
Lever Handle Hubs	142
LF	204
LFN	204
LFP	58
LFPM	59
LFS	204
LHH	142
LHRP	182-183
Life-Ex® Pins	238-239
Lifting Devices	74-91, 734-735
Lifting Eyes	89
Lifting Pins	58-59
Lifting Units	734-735
Linear Actuators	734-735
Liner Drill Bushings	559-564
Liner Bushings, Carr Lock®	359
Link Clamps	625-626
LKA	68
LL	598
LLP	32
Load-Rated Cable Assemblies	68
Locating Bolts for Angle Brackets	403
Locating Buttons, Adjustable	230
Locating Gages	429
Locating Keys	257, 394
Locating Pins, Diamond	237-247
Locating Pins, Floating	246
Locating Pins, Relieved	237-247
Locating Pins, Round	237-247
Locating Pins, Spring	197-200
Locating Screws	428

Locating Screws, Captive	36-40
Locator Bushings, Slotted	42-45
Locator Buttons, Spherical Radius.....	221
Locator-Nose Clamp Straps	269-276
Locator Template Bushings, Slotted	45
Lock Liners	598, 600-601
Lock Strips.....	599
Locking Clamping Pins.....	36, 40
Locking Hubs, Adjustable	410-414
Locking Jig Pins	34
Locking L Pins	32
Locking Locating Screws	37-39
Locking-Pin Bushings	41
Locking T Pins	33
Lockscrews.....	566-567
Lok-A-Pin® (See Locking L Pins, T Pins, and Clamping Pins)	32-35
LP.....	29
LPA.....	506-507
LPB.....	32-34
LS.....	566
LSM.....	566, 599
LSPC.....	495
LTP	33
LVB.....	143
LVTC	469, 471, 473, 475, 485

M

Machine Vises	382-385, 663-671, 677-679
Manifold Mounting.....	730-731
Manifolds, Hydraulic.....	719
Manual Work Supports.....	229, 437
Marine Ball Lock Pins.....	50-51
Marine Detent Pins	62
MBP	50-51
MDP	62
MFK.....	258
MF	225-226, 229, 231, 291 298-300, 304, 415-450
Mill Fixture Keys	258
Modular Fixturing	415-450
Modular Lifting Units	734-735
Multipurpose Extension Supports	433

N

Narrow Riser Blocks	443
NC Machine Vises	658-659
NL.....	72
NMH	343
No-Bounce Hammers.....	341-343
No-Mar Hammers.....	343
No-Rebound Hammers	341-343
NRH.....	341-343
Nuts, Acorn	311
Nuts, Cam-Handle Clamping.....	328
Nuts, Coupling.....	313
Nuts, Flange	313

Nuts, Hex	312
Nuts, Jam	312
Nuts, Knurled	311
Nuts, Knurled Check	311
Nuts, Spherical	314
Nuts, Swivel	207
Nuts, T.....	302-322
Nylon Cable Assemblies	66-68
Nylon Cables	66-68
Nylon Lanyards	72

O

OBK.....	153
Oil Groove Bushings.....	572-574
On-Size® Bushings	249
One-Touch Swing Clamps	301-303
Oval Ball Knobs.....	153
Oval Tapered Knobs	155

P

P.....	540-542
PA.....	503-509
Pad Covers.....	204
Pads, Clamp Strap	268, 274
Pads, Construction Ball.....	253-254
Pads, Rest	220-227
Pads, Swivel	216-218
Pallet Decouplers	713-717
Pallet Fixture Keys	258
Pallet Tooling Plates	399
Palm-Grip Hand Knobs.....	96
Palm-Grip Handles	156
PB	152-153
PBP	176
PBPN	176
PBPS	176
PBPSN	176
PC	279, 498, 543
PCA	521
PCAV	521
PCBE	521
PCBR.....	526
PCBT	521
PCCP.....	521
PCCR	521
PCEM	521
PCHN.....	521
PCQD.....	521
PCQDP	521
PCQDS	521
PCSE	521
PCTC	521
PCTE	521
PD	713-714
PDA.....	713-714
PFK.....	97-98
PFKC	258
PFKR	258
PGH.....	156

PH.....	158
PHK	96
PHR	161
PHRC.....	161
PHRP.....	180
PHS	160
PHSC.....	160
Pilot-Operated Check Valves	702
Pins, Adjustable Ball Lock	54-55
Pins, Alignment	27-72
Pins, Ball Lock.....	46-59
Pins, Bullet-Nose.....	247
Pins, Clamping.....	35-36
Pins, Clevis.....	327
Pins, Cone Locator	248
Pins, Detent	61-63
Pins, Diamond	238-239
Pins, Diamond Locating.....	240-243
Pins, Expanding	64-65
Pins, Finger	138
Pins, Floating Locating	246
Pins, Jig	30
Pins, L	29
Pins, Lifting	58-59
Pins, Quick Release	46-65
Pins, Round	238-239
Pins, Round Locating	240-243
Pins, Shoulder	30
Pins, Spring Locating	197-198
Pins, T	29
Pivot Clamps	620-626
Pivoting Edge Clamps.....	294-295, 450
Pivoting Hoist Rings	88
PK	159
PKO.....	159
PKR.....	159
PL.....	511-514
Plain Clamps.....	279
Plastic Balls.....	152-153
Plastic Handles	140-141, 146-149 152-153, 155-160
Plastic Knobs.....	109-110, 152-153, 155-159
Plate Clamps.....	480-483
Plates, Angle.....	402-404
Plates, Jig Leg	227
Plates, Tooling.....	361-372, 386-387, 425
Pliers, Toggle.....	510-514
PLS	514
Plugs, Protection	372-429
Plunger Wrenches.....	173
Plungers, Ball	171-172, 174-177
Plungers, Hand-Retractable.....	178-186
Plungers, Index	187-189
Plungers, Spring	166-170
PM	544, 561
Pneumatic Toggle Clamps.....	515-520
Power Toggle Clamps.....	515-520
Power Units	682-688
Power Workholding	603-736
PPK.....	106-107
Preset Torque Wrenches.....	372

Press-Fit Ball Plungers.....	176
Press-Fit Drill Bushings.....	540-551
Press-Fit Spring Plungers.....	170
Pressure Gauges, Hydraulic.....	719
Pressure Monitoring.....	719
Pressure-Reducing Valves.....	701
Pressure-Relief Valves.....	703
Pressure Switches.....	718
Protection Plugs.....	372, 429
PS.....	718
PSP.....	170
PSPN.....	170
PSPS.....	170
PSPSN.....	170
PTPB.....	399
PTPM.....	425
PTC.....	516-520
PTK.....	155
Pull-Action Toggle Clamps.....	490-501
Pull Clamps.....	648
Pull Knobs.....	159
Pumps, Air.....	686-688
Pumps, Electric.....	682-685
Pumps, Hand.....	689
Pumps, Screw.....	690
Push Clamps, Hydraulic.....	640-645
Push/Pull Toggle Clamps.....	490-501
PVD.....	238-239
PVD-Coated Pins.....	238-239

Q

QAK.....	108
QFP.....	390
QKK.....	125
QRFP.....	387, 389, 391-392
QSCH.....	303
QSCR.....	301
QSCV.....	302
QTS.....	111
Quarter-Turn Screws.....	111
Quick-Acting Knobs.....	108
Quick-Acting Knurled Knobs.....	125
Quick-Acting Screw Clamps.....	115, 117
Quick-Acting Swing Clamps, One-Touch.....	301-303
Quick-Change Fixturing.....	358-394
.....	396-397, 663-669
Quick-Change Riser.....	668
Quick-Change Tooling Plates.....	361-377
.....	386-393
Quick-Change Workholding.....	358-394,
.....	396-397, 663-669
Quick Connects/Disconnects, Power.....	521, 713-714, 716-717, 720
Quick-Release Pins.....	46-59, 61-63
Quick-Ship Drill Bushings.....	538-539
Quintus Riser.....	378-380, 668

R

RB.....	220-221
RBF.....	381
RBH.....	141
RC.....	566
RCM.....	566
Reamed-Hole Fixture Keys.....	256
Receiver Bushings, Carr Lock®.....	360
Receiver Caps, Ball Lock.....	60
Rectangular Tooling Plates.....	398, 424
Relief Valves.....	703
Renewal Road Plates.....	See website
Rest Buttons.....	220-225
Rest Buttons, Carbide-Tipped.....	221
Rest Buttons, Jig.....	224
Rest Buttons, Screw.....	225
Rest Pads, Heavy-Duty.....	227
Rests, Clamp.....	329
Retracting Clamps.....	618-626
Revolving Ball Handles.....	141
Revolving Handles.....	139-141
Revolving Trunnions.....	409
RFK.....	256
RFP.....	386-388, 392
RG.....	208
RGB.....	210
RGBD.....	210
RGC.....	208
RGD.....	208
RGF.....	209
RGFN.....	209
RGFT.....	209
RGT.....	208
RGU.....	208
RH.....	139-140
RHRP.....	181
Rings, Cable.....	70
Rings, Hoist.....	74-91
Riser Blocks.....	443
Riser Cylinders.....	445
Riser, Quick Change.....	378-380, 668
RK.....	567
RLT.....	242-243
Road Plates.....	See website
Rocker Clamps.....	620-626
Rotary Air Valve Couplings.....	713
Rotary Couplings.....	706-708
Rotary T Nuts.....	322
Rotary T Nuts & Stud Sets.....	322
Rotary Valve Couplings.....	709-711
Round Carbide Pads.....	218
Round Clamps.....	566
Round Grippers.....	208-210
Round Locating Pins.....	240-245
Round Pins.....	238-239
RP.....	238-239
RPC.....	204
RPT.....	240-241
RRP.....	See website

RTN.....	322
RTNS.....	322
RTPB.....	398
RTPM.....	420-424

S

S.....	526
SA.....	446, 522
SAC.....	292, 448
Safety Hoist Rings.....	84
SB.....	325
SBC.....	280
SBH.....	144
SBK.....	154
SBP.....	174
SBPN.....	175
SC.....	631, 633-634
SCA.....	265, 631, 634
SCB.....	250-251
SCC.....	335
SCD.....	631, 633-634
Scissor-Lok™ Plate Lifting System	See website
Screw Clamps.....	102-104, 107, 112-123
.....	126, 148-151
Screw Jacks.....	230-231, 437-438
Screw Pumps.....	680
Screw Rest Pads.....	225, 432
Screw Rest Buttons.....	225
Screws, Adjustable Torque Thumb.....	124
Screws, Bodies for Swivel.....	118
Screws, Clamp Rest.....	329
Screws, Feet for Swivel.....	119
Screws, Half Turn.....	111
Screws, Knurled Head.....	117
Screws, Locating.....	428
Screws, Quarter Turn.....	111
Screws, Shoulder.....	324
Screws, Swivel Head.....	120
Screws, Thumb, Adjustable Torque.....	124
SCW.....	317
Sections, Cast.....	405
Self-Centering Vises.....	670-671
Self-Retaining Ball Plunger.....	177
Sequence Valves.....	699-700
Serrata Groove Drill Bushings.....	577
Serrated Adjustable Edge Clamps.....	292, 448-449
Serrated Edge Clamps.....	292-293, 448-449
Serrated Face Washers.....	316
Serrated Fixed Edge Clamps.....	293
Serrated Press Fit Drill Bushings.....	550-551
SF.....	552-554
SFC.....	293, 448, 555
SFK.....	255
SFM.....	556
SFP.....	343
SG.....	211, 577

SGB	210	SPC	490-497	Swing Clamps, Air	628-629
SGC	211	Speed-Ball Handles.....	144	Swing Clamps, Hydraulic	630-638
SGT	211	SPF	206	Swing Clamps, Manual	301-303
SH	138	SPFN	206	305-307, 444, 447
SHA	264	SPG	330	Swing Clamps, One-Touch	301-303
Shackle Hoist Rings.....	See website	SPH	338-340	Switches, Pressure.....	718
Shackle Pins (see Lifting Pins)	58-59	Spherical Nuts and Washers.....	314-315	Swivel Contact Bolts.....	214-215, 226
Shackles	91	Spherical-Radius Locator Buttons	221	446, 732
Shark Clamps	334	SPHR.....	86-87	Swivel-Foot Spindles.....	524
SHCS.....	428	Spindles, Toggle Clamp	522-525	Swivel-Head Screws	120
Shims, Height.....	445	Spin-N-Lok™		Swivel Hoist Rings	76-83
SHKT	103	Swivel Hoist Ring	See website	Swivel Nuts	207
SHPA	268	SPM.....	551	Swivel Pads.....	207
Shoulder Construction Balls	251-255	SPN	167-169	Swivel Pad Feet	206
Shoulder Pins.....	30	Spring-Loaded Spindles.....	525	Swivel Pads, Gripper.....	216-217
Shoulder Screws	324	Spring Locating Pins	197-200	Swivel Screw Bodies.....	118
Shoulder Support Cylinders	431	Spring Plungers.....	166-169	Swivel Screw Clamps	121
SHR	76-84	Spring-Plunger Wrenches	173	Swivel Screw Feet.....	119
SHRB.....	76-78, 82-84	Spring-Stop Buttons.....	193-195, 434	Swivel Screws, Gripper	218
SHRK.....	334	Springs, Clamp	330	Swivel-Washer Hand Knob	
SHS.....	120	SPS	166-169	Assemblies.....	103
Shutoff Valves	703	SPW.....	173	System Kit, Carr Lock®	358-372
Side-Pull Hoist Rings, Heavy-Duty.....	86-87	Square Grippers	211-212		
Simplex Hammers	338-340	Square Pallet Tooling Plates.....	399, 425		
SIP	187-189	SRB.....	225		
SIPB.....	187-189	SRBP	177		
SK.....	99	SS.....	324		
SKA.....	66-67	SSB	193-195		
SKR.....	70	SSC	121, 524		
SKS	348-349, 351	SSPS.....	166-169		
SKSC	351	Standard Adjustable Spindles	446		
SKSL	348	Star Knobs	99		
SKSM	348	Stark Quick-Change System	396-397		
SL.....	525	Starter Kits, Carr Lock®	358-372		
SLB	221	STC	279		
SLF.....	205	Steel Handles	138-139		
SLFK.....	256	Step Blocks.....	279-280		
SLFN	205	Step Clamps	279-280		
Slip/Fixed Renewable Bushings.....	551-556	Step Fixture Keys	255		
SLLB	42-44	Straddle Cam-Clamp Assemblies	267		
Slotted Bushings	42-45	Straight Index Plungers.....	190-192		
Slotted-Heel Clamp Straps.....	263-268, 440	Strap Clamps.....	263-280		
Slotted-Heel Padded Clamp Straps	268	Stud Leveling Feet	205		
Slotted Locator Bushings	42-45	Studs	318-319		
Slotted Locator Template Bushings	45	Subplates.....	361-368, 392-393		
SLP	197, 200	Super Coil™			
SLPE.....	200	Swivel Hoist Ring	See website		
SLPP	199-200	Support Cylinders	430-431		
SLPR.....	200	Supports, Extension.....	433		
SLPS	198	Sure-Lock™ Fixture Keys.....	256		
SLPT.....	199	SW	314, 364		
SLTB.....	45	SWA	306-307		
SN	207	SWIFTSURE			
SNW.....	314	Power Workholding	608-735		
Socket-Head Cap Screws.....	428	Swing Bolts	325		
Soft-Face Punches.....	343	Swing C Clamps	335		
Solenoid Valves	696	Swing C Washers	317		
Solid Handles	138	Swing-Clamp			
SP.....	30, 550, 690	Assemblies.....	306-307, 444, 447		
SPA.....	207				
Spacer Blocks	443				
Spacer Shims (see Height Shims)	445				

T

T	722
T Cast Sections	405
T Handles.....	159
T Handle Knobs	110
T Nut and Stud Sets.....	321-322
T Nuts.....	320
T Nuts, Rotary.....	322
T Pins.....	29
T-Slot Bolt Kits.....	323
T-Slot Bolts.....	323
T-Slot Cleaners.....	321
TAPK.....	156
Tapered Handles.....	158
Tapered Index Plungers.....	190-192
Tapered Knobs	155-158
Tapered-Nose Clamp Straps.....	272
Taper-Lok Bushings (See Air Feed	
Bushings).....	597-601
Taper-Lok Air-Feed Lockscrews	599
Taper-Lok Liners	600
Tapped-Heel Clamp Straps.....	269-276
Tapped-Heel Padded Clamp Straps	
.....	274
TB.....	580-581, 640-643
TBA.....	640-643
TBC.....	716
TBCH.....	717
TBT	See website
TC	457, 463, 486-487
TC	See website
TCA	See website
TDP	63
Template Bushings	580-583
Tenons (See Fixture Keys).....	255

TERM.....	70
Terminals.....	70
TH.....	159
THA.....	270
THPA.....	274
Threaded-Body Push Clamps.....	640-641
Threaded-Body Work Supports.....	652-654
Threaded Detent Pins.....	63
Threaded Fasteners.....	346-351
Threaded Inserts, Weld In.....	See website
Threaded Locking-Pin Bushings.....	41
Threaded Push Clamps.....	639-643
Threaded Template Bushings.....	582-583
Three-Prong Knobs.....	109
Thumb Screws.....	111, 120-126
Thumb Screws, Adjustable Torque.....	124
TINY VISE® Edge Clamps.....	281-290
TIP.....	187-189
TK.....	110
TL.....	408, 723
TLD.....	600
TLL.....	600
TLPB.....	41
TN.....	320
TNH.....	321-322
TNS.....	321
Toe Clamps.....	282-292, 448-450, 622
Torque Wrenches.....	372
Toggle Clamp Accessories.....	522-526
Toggle Clamps.....	451-526
Toggle Clamps, Self-Adjusting.....	462, 479
Toggle Clamps, with Safety Lock.....	469,
.....	471, 473, 475, 485, 492, 499
Toggle Pliers.....	510-514
Toggle Push Clamps.....	490-501
Tooling-Ball Pads.....	253-254
Tooling Balls.....	250-252
Tooling Blocks, Four-Sided.....	401, 427
Tooling Blocks, Two-Sided.....	400, 426
Tooling Plates, Quick-Change.....	358-394
Tooling Plates, Rectangular.....	362-371,
.....	390, 398
Tooling Plates, Round.....	375-376,
.....	386-389, 391-392
Tooling Plates, Square Pallet.....	399, 425
Tools, Cable Crimping.....	70
Tools, Key Insert.....	346-351
Tools, Spring Locating Pin.....	199
Tools, Tubing.....	723
Torque Screw Jacks.....	230, 438
Torque Thumb Screws, Adjustable.....	124
Torque Wrenches.....	370
TP.....	29
TPC.....	500-501
TPK.....	109
TR.....	409
Trunnions.....	408-409
TS.....	124

TSA.....	124
TSB.....	323
TSBK.....	323
TSCL.....	321
TSD.....	124
TSJ.....	230, 437
TSJN.....	311, 438
TSKS.....	349
TSKSL.....	349
TTB.....	582
TTBB.....	400
TTBF.....	583
TTBT.....	583
TTPM.....	426
TTR.....	582-583
Tubing Clamps.....	723
Tubing, Hydraulic.....	722-723
Tubing Tools.....	723
TV.....	283, 289-290
TVLP.....	284
TVM.....	286-287
TVMC.....	286-287
TVMN.....	286-287
TVMS.....	286-287
TVR.....	285, 290
TW.....	526-566
Two-Sided Tooling Blocks.....	400, 426

U

U Clamps, Forged.....	278
U Cast Sections.....	405
UL.....	564
ULD.....	578
ULDM.....	578
ULM.....	564
ULR.....	See website
Universal Lifting Rings.....	See website
Un-A-Lok® Liner Bushings.....	564
Un-A-Lok® Liner Bushings, Diamond Knurl.....	578
Universal Cylinders.....	646-647
Up-Thrust Clamps.....	304

V

V.....	695-704, 709-712, 721
V Blocks.....	405, 432-435
V Cast Sections.....	405
VA.....	699-700
VAC.....	278
VCC.....	478
Valves, Air.....	521
Valves, Clamping.....	693-697
Valves, Hydraulic.....	693-697
Vertical-Handle Toggle Clamps.....	465-489
Vertical V Blocks.....	432
Vise Jaws.....	384, 660-661, 669
Vises, Machine.....	382-385, 657-661

.....	663-671, 677-679
Vises, Power.....	382-385, 657-661
.....	663-671, 677-679
Vises, Self-Centering.....	663-671
VS.....	659-670
VSA.....	659-661, 668-669, 671
VTC.....	467-477
VTCA.....	337
VTCD.....	337

W

Wagon Brakes.....	528
Washers, All-in-One Spherical.....	315
Washers, C.....	317
Washers, Flanged.....	526
Washers, Flat.....	316
Washers, Knurled Face.....	316
Washers, Serrated Face.....	316
Washers, Swing C.....	317
Weld-In Threaded Inserts.....	See website
Weld Mount® Adhesively Bonded Fasteners.....	352-355
Wheels, Hand.....	127-137
Wide-Nose Clamp Straps.....	273
Work Supports, Hydraulic.....	652-655
Work Supports, Manual.....	229, 437
Wrenches, Spring-Plunger.....	173
WS.....	652-654
WTI.....	See website

Z

Zero-Point Mounting Systems.....	396-397, 672-675
-------------------------------------	------------------

0

0001.....	429
-----------	-----

1

1XX.....	313-315, 317
100X.....	450
110X.....	450
11XXX.....	319
11XXX.....	589
12XXX.....	590-591
13XXX.....	592-593
1444X.....	600-601
14XXX.....	594-596
14X.....	314-315
15X.....	314-315
15XXX.....	596-597
165XX.....	599-601
16XXX.....	123
17XXX.....	263
18XXX.....	269, 271
190X.....	442

199XX..... 599

2

2XX..... 316
 20XX 442
 20XXX 272
 21XXX 589
 22XXX 273, 590-591
 23XX 443
 23XXX 114
 23XXX 592-593
 24XXX 594-596
 25X..... 316
 25XXX 596-597
 250X 226
 26X..... 316
 26XXX 220
 27XX 266
 28XX 266
 29XX 266

3

31XX 271, 430
 32XX 431
 320X 431
 33XX 271
 330X 433
 34XX 271
 340X 231, 438
 340X 438
 350X 231, 438
 360X 433
 390X 434
 39XX 272

4

40XX 272
 41XX 272
 42XX 272
 43XX 428-429
 44XX 257
 44XXX 273
 450X 429
 460X 429
 480X 225
 480X 432

5

50XX 298, 444
 510X 299-300, 444
 510X 444
 520X 445
 530X 304, 447
 56XX 291
 570X 229, 447
 58XX 299-300, 447

6

600X 435
 610X 436

7

7XXX..... 445

NOTE: Page references within text are labeled with **INFO+** for your convenience.

GENERAL INFORMATION

ORDERING INFORMATION:

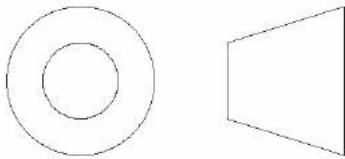
Carr Lane Manufacturing products are sold by authorized distributors located throughout North America and the rest of the world. Please see our website or contact us for the name of our qualified stocking distributor nearest you. For technical information, contact our factory engineering staff at 314-647-6200 (1-800-827-2526 for power workholding technical information).

SPECIALS:

Carr Lane Manufacturing will gladly make any special tooling components or company tooling standards to your specifications. Please send a print or sketch with your request. Our wide range of manufacturing capabilities allows us to quickly produce special items for you at economical prices.

DIMENSIONS AND TOLERANCES:

All drawings in this catalog are shown in Third-Angle Projection:



In general, the following maximum tolerances apply to dimensions in this catalog, unless otherwise specified:

.xxx ±.005

.xx ±.020

.x ±.050

Fractions ± 1/32

Castings, forgings, molded plastics, and assemblies ± 1/8

FINISH SPECIFICATIONS:

The finishes shown in this catalog are applied according to the following specifications:

Black Oxide—MIL-C-13924C

Zinc Plate Yellow Chromate

Zinc Plate Clear Chromate

Cadmium Plate—QQ-P-416, Class 3, Type 1

Black Anodize—MIL-A-8625, Type II, Class 2

Other finishes are available as specials.

ANSI & TCMAI STANDARDS:

Whenever appropriate, our tooling components meet the standards of the American National Standards Institute (ANSI) and the Tooling Component Manufacturers Association International (TCMAI).

TRADEMARKS:

Numerous trademarks appear throughout this catalog. Delrin® and Zytel® are registered trademarks of E.I. du Pont de Nemours & Co. HAAS® is a registered trademark of Haas Automation Inc. Heavy Duty® Hoist Ring is a registered trademark of ADB. Invar36® is a registered trademark of Carpenter Technology Corporation. WELD MOUNT® is a registered trademark of Royal Adhesives and Sealants, LLC. All other trademarks contained herein are those of Carr Lane Mfg. Co. and its affiliates.

ENGINEERING CHANGES:

All Carr Lane Manufacturing products are continually subject to possible design improvements. We include any engineering changes as soon as possible in our catalogs, tracing templates, CAD tooling libraries, and other literature. However, due to inevitable time lags, dimensions and specifications are subject to change without notice.

GUARANTEE OF QUALITY:

Carr Lane Manufacturing warrants that the products described herein will be free from defects in material and workmanship. If you find any failure to conform to this warranty within 90 days from date of receipt of the product, and give us immediate notification thereof, we will replace the defective product or make suitable repairs. If we are unable to correct such nonconformity by replacing the product or making suitable repairs, whether due to the nature of such nonconformity, your use of the product, or for any other reason, we will refund the purchase price upon receipt of the nonconforming product f.o.b. our plant. No product should be returned to us without a return-authorization number. In no event shall we be liable either directly or by way of contribution or indemnity, for direct, special, incidental or consequential damages such as, but not limited to, property damage, loss of profit, or damages based on loss of use of the product, whether the claim for any such damages be based on warranty, express or implied, contract, tort, or otherwise. This warranty does not apply to products that are misapplied, altered, or abused. The foregoing is our sole warranty with respect to the product. We make no other warranties, express or implied, including implied warranties of merchantability and fitness for a particular purpose.

SAFETY PRECAUTIONS:

Machine tools pose many potential hazards. Observe all appropriate safety precautions, including those specifically listed in this catalog.

ALIGNMENT PINS

1



L Pins, T Pins, and Jig Pins



Clamping Pins



Slotted Locator Bushings



Ball Lock Pins



Detent Pins



Expanding Pins



Cable

Also see:



Hand-Retractable Plungers
pp. 178-186



Index Plungers
pp. 187-192



Carr Lock® System
pp. 358-372

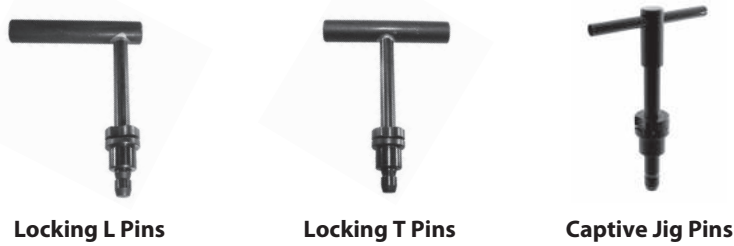
L PINS, T PINS, JIG PINS AND CLAMPING PINS

1 L PINS, T PINS, AND JIG PINS



Standard Type

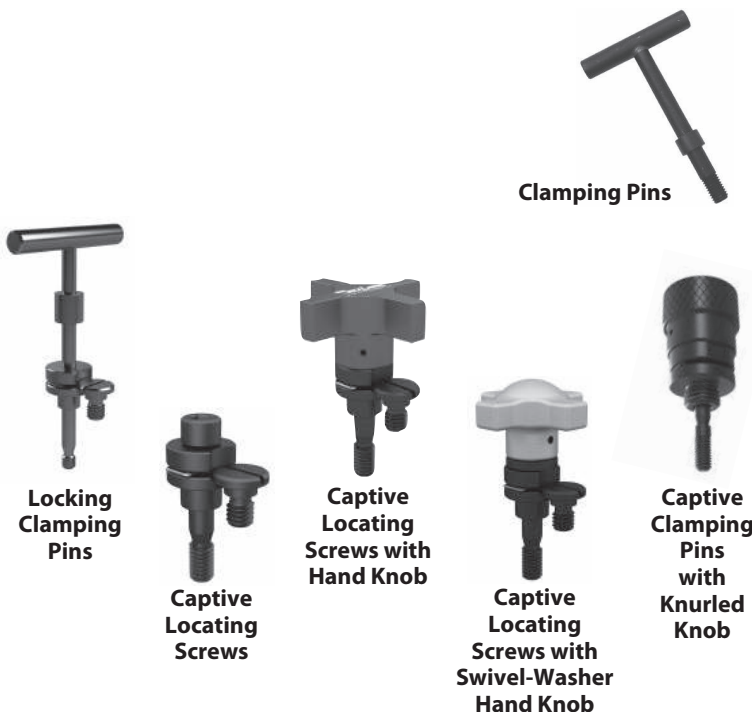
These L Pins, T Pins, Shoulder Pins, and Jig Pins are removable locating pins, precision ground for accurately aligning holes. Available in pin diameters from 1/8 to 3/4", including some number and letter sizes (4 to 20mm in metric), most in a choice of several pin lengths.



Captive Type

Similar to standard jig pins, except that the pin body is positively retained in a locking bushing. In fully retracted position, the bushing's spring clip snaps into the pin's groove. This holds the pin fully retracted by spring force and positively prevents removal. Spring pressure also holds the pin in intermediate extended positions, an advantage especially if the fixture is turned upside down. Available in pin diameters from 3/16 to 1/2" (6 to 12mm in metric), most in a choice of several pin lengths. Choice of standard or long bushing in most sizes, for installation in thinner or thicker plates.

CLAMPING PINS



Standard Type

Clamping Pins are threaded alignment pins that can be used for locating and clamping, or clamping only, depending on extended screw length. Available in thread sizes from #10-32 to 1/2-13 (M6 to M12 in metric).

Captive Type

Captive clamping pins and locating screws can be used for locating and clamping, or for clamping only, by selecting the appropriate screw length. The locating screw's precision-ground body is positively retained in a locking bushing. In fully retracted position, the bushing's springclip snaps into the body's radial groove. This holds the screw fully retracted by spring force and positively prevents removal. Spring pressure also holds the screw in intermediate extended positions, an advantage especially if the fixture is turned upside down. Available in thread sizes from 1/4-20 to 1/2-13 (M6 to M12 in metric). Choice of standard or long bushing in most sizes, for installation in thinner or thicker plates.

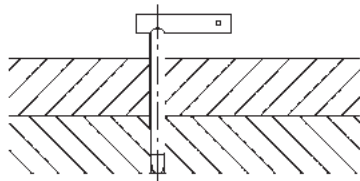
L & T PINS

PIN: 12L14 STEEL, CARBURIZED-HARDENED, BLACK OXIDE FINISH
HANDLE: 12L14 STEEL, BLACK OXIDE FINISH

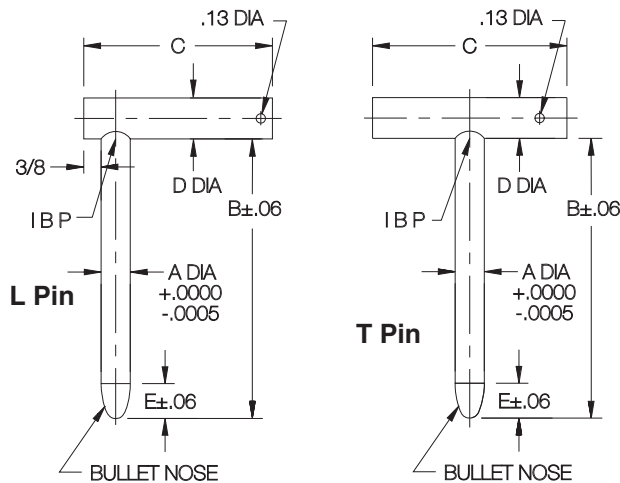


L Pin

T Pin



L and T Pins are removable locating pins, precision ground for accurately aligning holes. The pin is inset in the handle and silver soldered to create a sturdy assembly. The handle is drilled for attaching a cable.



To order L or T Pins with a standard 10-12" cable assembly attached, add "-C" to the part number. (CL-2-C cable with a terminal for #10-32 or M5 attachment screw).
Example: CL-7-LP-C

INCH

L PIN PART NO.	T PIN PART NO.	A DIA		B	C	D DIA	E
		NOMINAL	ACTUAL				
CL-0-LP	CL-0-TP	1/8	.1250	2-1/2			
CL-41-LP	CL-41-TP	#30	.1285	3	1-1/2	1/4	1/4
CL-00-LP	CL-00-TP	5/32	.1562	3-1/2			
CL-1-LP	CL-1-TP			3			
CL-21-LP	CL-21-TP	3/16	.1875	4			
CL-2-LP	CL-2-TP			6			
CL-3-LP	CL-3-TP			3	2-1/2	5/16	1/4
CL-23-LP	CL-23-TP	#11	.1910	4			
CL-4-LP	CL-4-TP			6			
CL-43-LP	CL-43-TP	#10	.1935	3			
CL-20-LP	CL-20-TP	#9	.1960	3			
CL-44-LP	CL-44-TP	7/32	.2188	3			
CL-38-LP	CL-38-TP			2			
CL-5-LP	CL-5-TP			3			
CL-25-LP	CL-25-TP	1/4	.2500	4	2-1/2	3/8	3/8
CL-6-LP	CL-6-TP			6			
CL-17-LP	CL-17-TP			3			
CL-37-LP	CL-37-TP	F	.2570	4			
CL-45-LP	CL-45-TP	9/32	.2812	4	3		
CL-39-LP	CL-39-TP			2	2-1/2		
CL-7-LP	CL-7-TP			3-1/2		7/16	1/2
CL-27-LP	CL-27-TP	5/16	.3125	4	3		
CL-8-LP	CL-8-TP			6			
CL-40-LP	CL-40-TP			3	2-1/2		
CL-9-LP	CL-9-TP			4			
CL-29-LP	CL-29-TP	3/8	.3750	5	3-1/2	1/2	1/2
CL-10-LP	CL-10-TP			6			
CL-30-LP	CL-30-TP			7			
CL-11-LP	CL-11-TP			4			
CL-31-LP	CL-31-TP	7/16	.4375	5	3-1/2	9/16	5/8
CL-12-LP	CL-12-TP			6			
CL-32-LP	CL-32-TP			7			
CL-13-LP	CL-13-TP			4			
CL-14-LP	CL-14-TP	1/2	.5000	6			
CL-33-LP	CL-33-TP			7	3-1/2	5/8	5/8
CL-34-LP	CL-34-TP			9			
CL-18-LP	CL-18-TP	9/16	.5625	4			
CL-19-LP	CL-19-TP			6			
CL-15-LP	CL-15-TP	5/8	.6250	6			
CL-35-LP	CL-35-TP			8	3-1/2	7/8	3/4
CL-16-LP	CL-16-TP	3/4	.7500	6			
CL-36-LP	CL-36-TP			8			

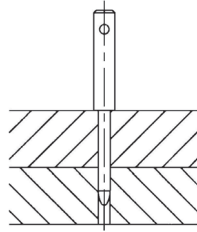
METRIC

CLM-4-LP	CLM-4-TP	4mm	.1575	3-1/2			
CLM-5-LP	CLM-5-TP	5mm	.1969	3	2-1/2	5/16	3/16
CLM-50-LP	CLM-50-TP			6			
CLM-6-LP	CLM-6-TP	6mm	.2362	3	2-1/2	3/8	1/4
CLM-60-LP	CLM-60-TP			6			
CLM-8-LP	CLM-8-TP	8mm	.3150	3-1/2	3	7/16	7/16
CLM-80-LP	CLM-80-TP			6			
CLM-10-LP	CLM-10-TP	10mm	.3937	3	2-1/2		
CLM-100-LP	CLM-100-TP			6	3-1/2	1/2	7/16
CLM-12-LP	CLM-12-TP	12mm	.4724	4	3-1/2	5/8	7/16
CLM-120-LP	CLM-120-TP			6			
CLM-16-LP	CLM-16-TP	16mm	.6299	6			
CLM-160-LP	CLM-160-TP			8	3-1/2	7/8	11/16
CLM-20-LP	CLM-20-TP	20mm	.7874	6			
CLM-200-LP	CLM-200-TP			8			

SHOULDER PINS

PIN: 12L14 STEEL, CARBURIZED-HARDENED, BLACK OXIDE FINISH
HANDLE: 12L14 STEEL, BLACK OXIDE FINISH

1



To order Shoulder Pins with a standard 10-12" cable assembly attached, add "-C" to the part number. (CL-2-C cable with a terminal for #10-32 or M5 attachment screw).
Example: CL-7-SP-C

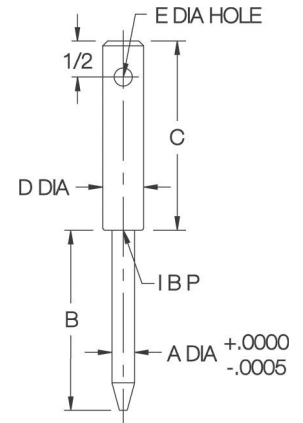
Removable locating pin with a straight handle, precision ground for accurately aligning holes. The handle is drilled for attaching a cable.

INCH

PART NO.	A DIA		B	C	D DIA	E DIA
	NOMINAL	ACTUAL				
CL-7-SP	1/4	.2500	2-1/2	2-5/8	1/2	1/4
CL-10-SP	5/16	.3125	4		9/16	1/4
CL-14-SP	3/8	.3750	3		5/8	1/4
CL-19-SP	1/2	.5000	3		3/4	5/16

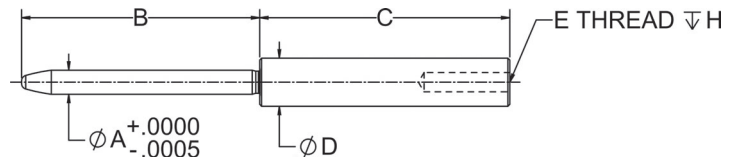
METRIC

PART NO.	A DIA		B	C	D DIA	E DIA
	NOMINAL	ACTUAL				
CLM-6-SP	6mm	.2362	2.56	2.6	1/2	1/4
CLM-8-SP	8mm	.3150	4		9/16	1/4
CLM-10-SP	10mm	.3937	3		5/8	1/4
CLM-12-SP	12mm	.4724	3		3/4	5/16



SHOULDER POTTING PINS

1144 STEEL, BLACK OXIDE FINISH



New item!

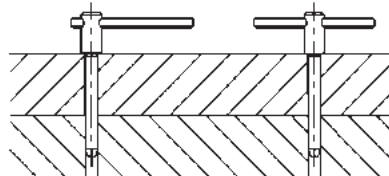
Shoulder Potting Pins are removable alignment pins used for positioning components to be potted in carbon-fiber composites. The precision-ground pin body and the handle are made from one solid piece of high-carbon steel. The handle end is tapped to allow using a pulling tool. Available in pin diameters from 1/8 to 1/2".

PART NO.	A DIA		B	C	D DIA	E THREAD	H
	NOMINAL	ACTUAL					
CL-225-SPP	1/8	.1250	2.50	2-5/8	1/2	1/4-20	3/4
CL-425-SPP	1/4	.2500	2.50	2-5/8	1/2	1/4-20	3/5
CL-525-SPP	5/16	.3125	4.00	2-5/8	5/8	1/4-20	3/6
CL-640-SPP	3/8	.3750	4.00	2-5/8	5/8	1/4-20	3/7
CL-840-SPP	1/2	.5000	4.00	2-5/8	3/4	1/4-20	3/8

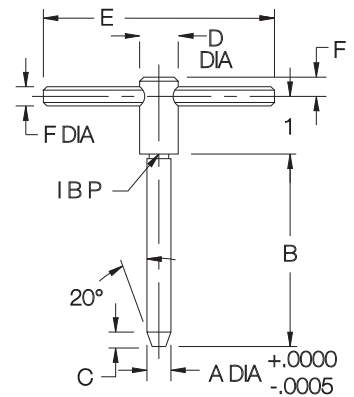
JIG PINS

PIN: 1144 STEEL, HEAT TREATED, BLACK OXIDE FINISH
HANDLE: SPRING STEEL, BLACK OXIDE FINISH

1



Similar to L and T Pins, but with a shoulder to keep the handle raised. Pins are ground slightly undersize. To convert from an L handle to a T handle, slide the roll-pin handle by tapping it with a hammer.



INCH

PART NO.	A DIA		B	C	D DIA	E	F
	NOMINAL	ACTUAL					
CL-10-JP	3/16	.1872	1-7/8	1/8	3/8	2	3/16
CL-20-JP	1/4	.2497	2	5/32	3/8	2	3/16
CL-30-JP	5/16	.3120	2-1/2	3/16	1/2	3	1/4
CL-40-JP	3/8	.3745	3-1/4	1/4	1/2	3	1/4
CL-50-JP	1/2	.4995	4	9/32	9/16	3	1/4

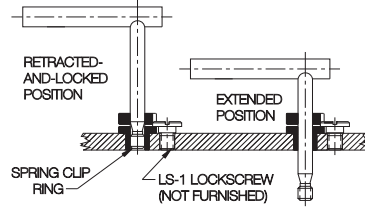
METRIC

CLM-5-JP	5mm	.1966	1-7/8	1/8	3/8	2	3/16
CLM-6-JP	6mm	.2359	2	5/32	3/8	2	3/16
CLM-8-JP	8mm	.3145	2-1/2	3/16	1/2	3	1/4
CLM-10-JP	10mm	.3932	3-1/4	1/4	1/2	3	1/4
CLM-12-JP	12mm	.4719	4	9/32	9/16	3	1/4

LOCKING L PINS

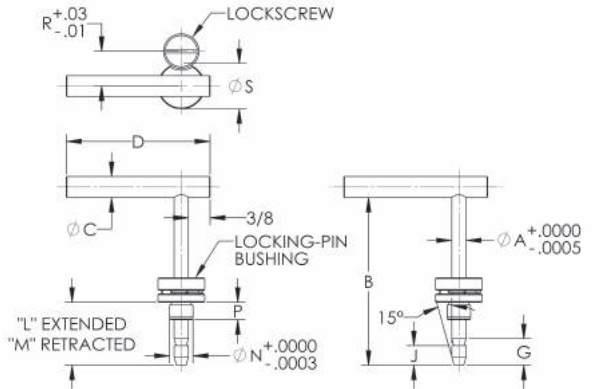
PIN: 12L14 STEEL, CARBURIZED-HARDENED, BLACK OXIDE FINISH
 HANDLE: 12L14 STEEL, BLACK OXIDE FINISH
 BUSHING: 8620 STEEL, CASE HARDENED, BLACK OXIDE FINISH

1



Similar to a standard L Pin, except that the pin body is positively retained in a locking bushing. In fully retracted position, the bushing's spring clip snaps into the pin's radial groove. This holds the pin fully retracted by spring force and positively prevents removal. Spring pressure also holds the pin in intermediate extended positions, an advantage especially if the fixture is turned upside down. Available in pin diameters from 3/16 to 1/2" (6 to 12mm in metric), most in a choice of several pin lengths.

Locking-Pin Bushings are designed to press fit in a standard reamed hole. Secure with the included Lockscrew to positively hold the bushing in place. Shorter or longer bushings are available in most sizes, for thinner or thicker plates.



COMPLETE ASSEMBLY (INCH)

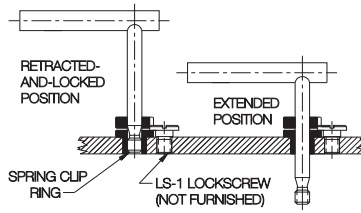
PART NO.	A DIA		B PIN LENGTH	P BUSHING LENGTH UNDER HEAD		C DIA	D	G	J	L	M	N DIA		R	S	L PIN (INCLUDED)	BUSHING (INCLUDED)	LOCKSCREW (INCLUDED)												
	NOMINAL	ACTUAL		NOMINAL	ACTUAL																									
CL-1A-LLP-B	3/16	.1865	1-1/2	Standard	.31	5/16	2-1/2	.47	.35	1	.20	13/16	.4078	.62	13/16	CL-1A-LLP	CL-3-LPB	LS-1												
CL-1-LLP-B			3	Standard	.31					2-1/2						CL-1-LLP	CL-3-LPB													
CL-38-LLP-B	1/4	.2490	2	Standard	.31	3/8	2-1/2	.47	.35	1-1/2	.20	13/16	.4078	.62	13/16	CL-38-LLP	CL-4-LPB	LS-1												
CL-38-LLP-B-2				Long	.50					3-1/2						CL-4A-LPB														
CL-5-LLP-B			3	Standard	.31					2-1/2						CL-5-LLP	CL-4-LPB													
CL-5-LLP-B-2				Long	.50					3-1/2						CL-4A-LPB														
CL-25-LLP-B	4	.2490	4	Standard	.31	5/16	3	.47	.35	3-1/2	.20	1/2	.5017	.62	13/16	CL-25-LLP	CL-4-LPB	LS-1												
CL-25-LLP-B-2				Long	.50					CL-4A-LPB																				
CL-39-LLP-B-1	2	.3115	3-1/2	Standard	.31					5/8						3	.47		.35	1-1/2	.20	1/2	.5017	.62	13/16	CL-39-LLP	CL-5-LPB	LS-1		
CL-39-LLP-B				Medium	.37															CL-5A-LPB										
CL-39-LLP-B-3				Long	.50	CL-5B-LPB																								
CL-7-LLP-B-1	5/16	.3115	3-1/2	Standard	.31	5/8	3	.47	.35	3	.20	1/2	.5017	.62	13/16	CL-7-LLP	CL-5-LPB	LS-1												
CL-7-LLP-B				Medium	.37					CL-5A-LPB																				
CL-7-LLP-B-3				Long	.50					CL-5B-LPB																				
CL-8-LLP-B-1				6	.3115					6						Standard	.31		5/8	3	.47	.35	5-1/2	.20	1/2	.5017	.62	13/16	CL-8-LLP	CL-5-LPB
CL-8-LLP-B	Medium	.37	CL-5A-LPB																											
CL-8-LLP-B-3	Long	.50	CL-5B-LPB																											
CL-40A-LLP-B-1	3/8	.3740	2	Standard	.31	5/8	3-1/2	.47	.35	1-1/2	.20	5/8	.6267	.62	13/16	CL-40A-LLP	CL-6-LPB	LS-1												
CL-40A-LLP-B				Long	.50					CL-6A-LPB																				
CL-9-LLP-B-1			4	.3740	4					Standard						.31	5/8		3-1/2	.47	.35	3-1/2	.20	5/8	.6267	.62	13/16	CL-9-LLP	CL-6-LPB	LS-1
CL-9-LLP-B										Long						.50						CL-6A-LPB								
CL-10-LLP-B-1	6	.3740	6	Standard	.31	5/8	3-1/2	.47	.35	5-1/2	.20	5/8	.6267	.62	13/16	CL-10-LLP	CL-6-LPB	LS-1												
CL-10-LLP-B				Long	.50					CL-6A-LPB																				
CL-13A-LLP-B-1	1/2	.4990	2	Standard	.50	5/8	3-1/2	.47	.35	1-1/2	.20	3/4	.7518	.75	1-1/16	CL-13A-LLP	CL-8-LPB	LS-1												
CL-13A-LLP-B				Long	.75					CL-8A-LPB																				
CL-13-LLP-B-1			4	.4990	4					Standard						.50	5/8		3-1/2	.47	.35	3-1/2	.20	3/4	.7518	.75	1-1/16	CL-13-LLP	CL-8-LPB	LS-1
CL-13-LLP-B										Long						.75						CL-8A-LPB								
CL-14-LLP-B-1	6	.4990	6	Standard	.50	5/8	3-1/2	.47	.35	5-1/2	.20	3/4	.7518	.75	1-1/16	CL-14-LLP	CL-8-LPB	LS-1												
CL-14-LLP-B				Long	.75					CL-8A-LPB																				

COMPLETE ASSEMBLY (METRIC)

CLM-6-LLP-B	6mm	.2352	3	Standard	.31	3/8	2-1/2	.47	.35	2-1/2	.20	10mm	.3952	.630	.87	CLM-6-LLP	CLM-6-LPB	LSM-3
CLM-8-LLP-B	8mm	.3140	3	Standard	.39	7/16	3	.47	.35	2-1/2	.20	13mm	.5135	.630	.87	CLM-8-LLP	CLM-8-LPB	LSM-3
CLM-10-LLP-B	10mm	.3927	3	Standard	.47	1/2	3-1/2	.47	.35	2-1/2	.20	16mm	.6316	.630	.87	CLM-10-LLP	CLM-10-LPB	LSM-3
CLM-12-LLP-B	12mm	.4715	4	Standard	.71	5/8	3-1/2	.47	.35	3-1/2	.20	20mm	.7892	.709	1.02	CLM-12-LLP	CLM-12-LPB	LSM-3

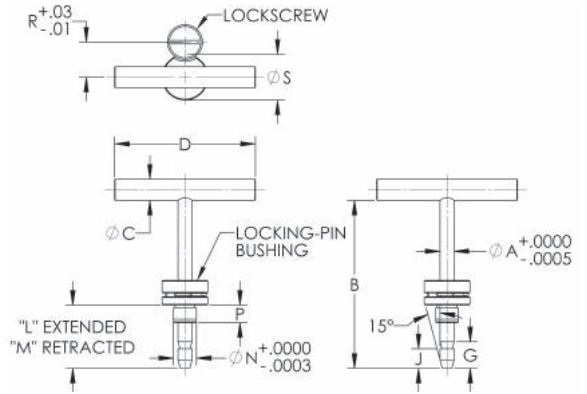
LOCKING T PINS

PIN: 12L14 STEEL, CARBURIZED-HARDENED, BLACK OXIDE FINISH
 HANDLE: 12L14 STEEL, BLACK OXIDE FINISH
 BUSHING: 8620 STEEL, CASE HARDENED, BLACK OXIDE FINISH



Similar to a standard T Pin, except that the pin body is positively retained in a locking bushing. In fully retracted position, the bushing's spring clip snaps into the pin's radial groove. This holds the pin fully retracted by spring force and positively prevents removal. Spring pressure also holds the pin in intermediate extended positions, an advantage especially if the fixture is turned upside down. Available in pin diameters from 3/16 to 1/2" (6 to 12mm in metric), most in a choice of several pin lengths.

Locking-Pin Bushings are designed to press fit in a standard reamed hole. Secure with the included Lockscrew to positively hold the bushing in place. Shorter or longer bushings are available in most sizes, for thinner or thicker plates.



COMPLETE ASSEMBLY (INCH)

PART NO.	A DIA		B PIN LENGTH	P BUSHING LENGTH UNDER HEAD		C DIA	D	G	J	L	M	N DIA		R	S	T PIN (INCLUDED)	BUSHING (INCLUDED)	LOCKSCREW (INCLUDED)
	NOMINAL	ACTUAL		NOMINAL	ACTUAL													
CL-1A-LTP-B	3/16	.1865	1-1/2	Standard	.31	5/16	2-1/2	.47	.35	1	.20	13/16	.4078	.62	13/16	CL-1A-LTP	CL-3-LPB	LS-1
CL-1-LTP-B			3	Standard	.31					2-1/2						CL-1-LTP	CL-3-LPB	
CL-38-LTP-B	1/4	.2490	2	Standard	.31	3/8	2-1/2	.47	.35	1-1/2	.20	13/16	.4078	.62	13/16	CL-38-LTP	CL-4-LPB	LS-1
CL-38-LTP-B-2				Long	.50					2-1/2						CL-4A-LPB		
CL-5-LTP-B			3	Standard	.31											3-1/2	CL-5-LTP	
CL-5-LTP-B-2			Long	.50	CL-4A-LPB													
CL-25-LTP-B	4			Standard	.31													
CL-25-LTP-B-2				Long	.50													
CL-39-LTP-B-1			2	Standard	.31					1-1/2						CL-39-LTP	CL-5-LPB	
CL-39-LTP-B				Medium	.37					CL-5A-LPB								
CL-39-LTP-B-3				Long	.50													
CL-7-LTP-B-1	5/16	.3115	3-1/2	Standard	.31	5/8	3	.47	.35	3	.20	1/2	.5017	.62	13/16	CL-7-LTP	CL-5-LPB	LS-1
CL-7-LTP-B				Medium	.37					CL-5A-LPB								
CL-7-LTP-B-3				Long	.50													
CL-8-LTP-B-1				6												Standard	.31	
CL-8-LTP-B	Medium	.37	CL-5A-LPB															
CL-8-LTP-B-3	Long	.50																
CL-40A-LTP-B-1	3/8	.3740	2	Standard	.31	5/8	3-1/2	.47	.35	1-1/2	.20	5/8	.6267	.62	13/16	CL-40A-LTP	CL-6-LPB	LS-1
CL-40A-LTP-B				Long	.50					CL-6A-LPB								
CL-9-LTP-B-1			4	Standard	.31											3-1/2	CL-9-LTP	
CL-9-LTP-B				Long	.50													
CL-10-LTP-B-1	6			Standard	.31					5-1/2					CL-10-LTP	CL-6A-LPB		
CL-10-LTP-B				Long	.50													
CL-13A-LTP-B-1	1/2	.4990	2	Standard	.50	5/8	3-1/2	.47	.35	1-1/2	.20	3/4	.7518	.75	1-1/16	CL-13A-LTP	CL-8-LPB	LS-1
CL-13A-LTP-B				Long	.75					CL-8A-LPB								
CL-13-LTP-B-1			4	Standard	.50											3-1/2	CL-13-LTP	
CL-13-LTP-B				Long	.75													
CL-14-LTP-B-1	6			Standard	.50					5-1/2					CL-14-LTP	CL-8-LPB		
CL-14-LTP-B				Long	.75													

COMPLETE ASSEMBLY (METRIC)

CLM-6-LTP-B	6mm	.2352	3	Standard	.31	3/8	2-1/2	.47	.35	2-1/2	.20	10mm	.3952	.630	.87	CLM-6-LTP	CLM-6-LPB	LSM-3
CLM-8-LTP-B	8mm	.3140	3	Standard	.39	7/16	3	.47	.35	2-1/2	.20	13mm	.5135	.630	.87	CLM-8-LTP	CLM-8-LPB	LSM-3
CLM-10-LTP-B	10mm	.3927	3	Standard	.47	1/2	3-1/2	.47	.35	2-1/2	.20	16mm	.6316	.630	.87	CLM-10-LTP	CLM-10-LPB	LSM-3
CLM-12-LTP-B	12mm	.4715	4	Standard	.71	5/8	3-1/2	.47	.35	3-1/2	.20	20mm	.7892	.709	1.02	CLM-12-LTP	CLM-12-LPB	LSM-3

CAPTIVE JIG PINS

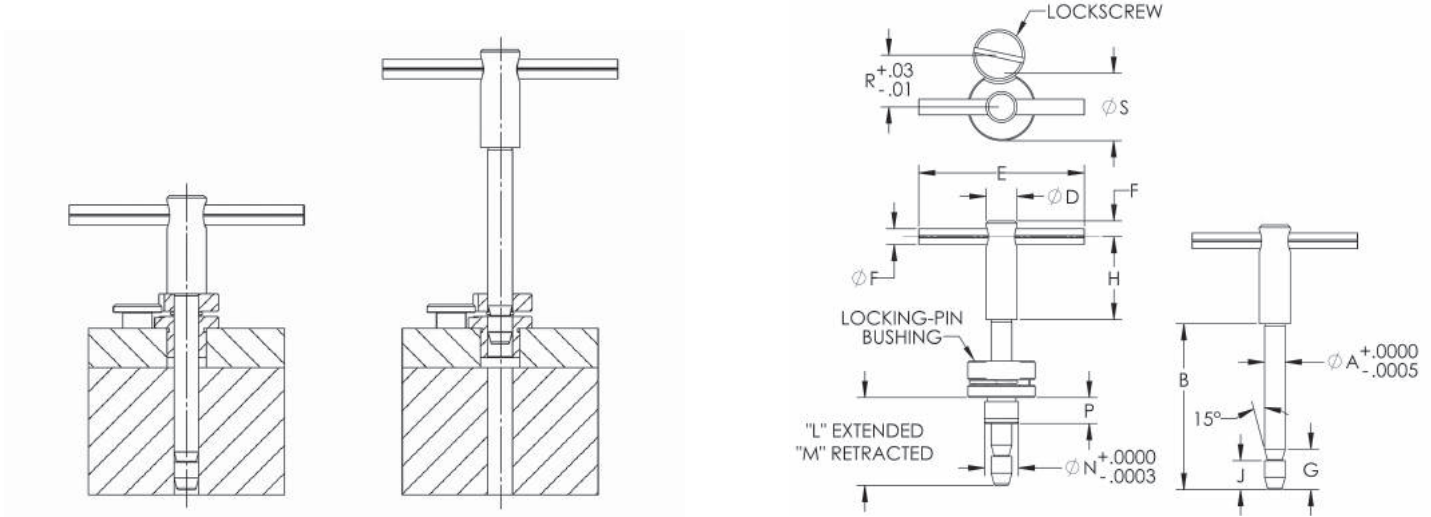
PIN: 1144 STEEL, HEAT TREATED, BLACK OXIDE FINISH
 HANDLE: SPRING STEEL, BLACK OXIDE FINISH
 BUSHING: 8620 STEEL, CASE HARDENED, BLACK OXIDE FINISH

1



Similar to a standard Jig Pin, except that the pin body is positively retained in a locking bushing. In fully retracted position, the bushing's spring clip snaps into the pin's groove. This holds the pin fully retracted by spring force and positively prevents removal. Spring pressure also holds the pin in intermediate extended positions, an advantage especially if the fixture is turned upside down. Like standard Jig Pins, Captive Jig pins have an integral shoulder to keep the handle raised. Available in pin diameters from 3/16 to 1/2". Made in USA.

Locking-Pin Bushings are designed to press fit in a standard reamed hole. Secure with the included Lockscrew to positively hold the bushing in place. Shorter or longer bushings are available in most sizes, for thinner or thicker plates.



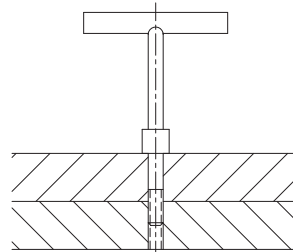
COMPLETE ASSEMBLY (INCH)

PART NO.	A DIA		B PIN LENGTH	P BUSHING LENGTH UNDER HEAD		C	D DIA	E	F	G	H	J	L	M	N DIA		R	S DIA	JIG PIN (INCLUDED)	BUSHING (INCLUDED)	LOCKSCREW (INCLUDED)
	NOMINAL	ACTUAL		NOMINAL	ACTUAL																
CL-1-CJPA	3/16	.1872	1-7/8	Standard	.31	.35	3/8	2	3/16	.49	1	.35	1.40	.20	13/32	.4078	.62	13/16	CL-1-CJP	CL-3-LPB	LS-1
CL-2-CJPA	1/4	.2497	2	Standard	.31	.35	3/8	2	3/16	.49	1	.35	1.60	.20	13/32	.4078	.62	13/16	CL-2-CJP	CL-4-LPB	
CL-21-CJPA				Long	.50														CL-4A-LPB		
CL-31-CJPA	5/16	.3120	2-1/2	Standard	.31	.35	1/2	3	1/4	.49	1	.35	2.10	.20	1/2	.5017	.62	13/16	CL-3-CJP	CL-5-LPB	LS-1
CL-3-CJPA				Medium	.37														CL-5A-LPB		
CL-33-CJPA	3/8	.3745	3-1/4	Long	.50	.35	1/2	3	1/4	.49	1	.35	2.80	.20	5/8	.6267	.62	13/16	CL-4-CJP	CL-5B-LPB	LS-1
CL-41-CJPA				Standard	.31														CL-6-LPB		
CL-4-CJPA	1/2	.4995	4	Long	.50	.35	9/16	3	1/4	.49	1	.35	3.60	.20	3/4	.7518	.75	1-1/16	CL-4-CJP	CL-6A-LPB	LS-1
CL-51-CJPA				Standard	.50														CL-8-LPB		
CL-5-CJPA	1/2	.4995	4	Long	.75	.35	9/16	3	1/4	.49	1	.35	3.60	.20	3/4	.7518	.75	1-1/16	CL-5-CJP	CL-8A-LPB	LS-1
CL-5-CJPA				Standard	.50														CL-8-LPB		

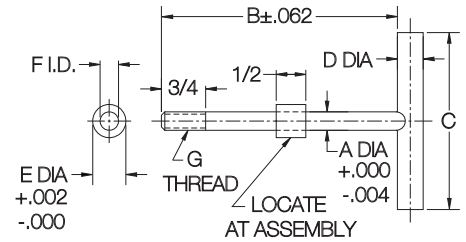
CLAMPING PINS

PIN: 12L14 STEEL, CARBURIZED-HARDENED, BLACK OXIDE FINISH
 BUSHING: 12L14 STEEL, BLACK OXIDE FINISH

1



These threaded alignment pins can be used for locating and clamping, or clamping only, depending on extended screw length. The clamping bushing is furnished separate from the pin, and must be welded in place at the proper length to suit the application. Available in thread sizes from #10-32 to 1/2-13 (M6 to M12 in metric).



INCH

PART NO.	A DIA		B	C	D DIA	E DIA	F DIA	G
	NOMINAL	ACTUAL						
CL-0-CP	#10	.193	3	1-1/2	1/4	3/8	.203	#10-24
CL-0A-CP								#10-32
CL-1-CP	1/4	.250	4	2-1/2	3/8	1/2	.252	1/4-20
CL-2-CP	5/16	.312		3	7/16	9/16	.315	5/16-18
CL-3-CP	3/8	.375	4-1/2	3-1/2	1/2	5/8	.378	3/8-16
CL-4-CP	1/2	.500	5		5/8	3/4	.503	1/2-13

METRIC

CLM-6-CP	6mm	.236	4	2-1/2	3/8	1/2	.252	M6
CLM-8-CP	8mm	.315		3	7/16	9/16	.315	M8
CLM-10-CP	10mm	.394	4-1/2	3-1/2	1/2	5/8	.378	M10
CLM-12-CP	12mm	.472	5		5/8	3/4	.503	M12

LOCKING CLAMPING PINS

PIN: 12L14 STEEL, CARBURIZED-HARDENED, BLACK OXIDE FINISH
 HANDLE: 12L14 STEEL, BLACK OXIDE FINISH
 BUSHING: 8620 STEEL, CASE HARDENED, BLACK OXIDE FINISH

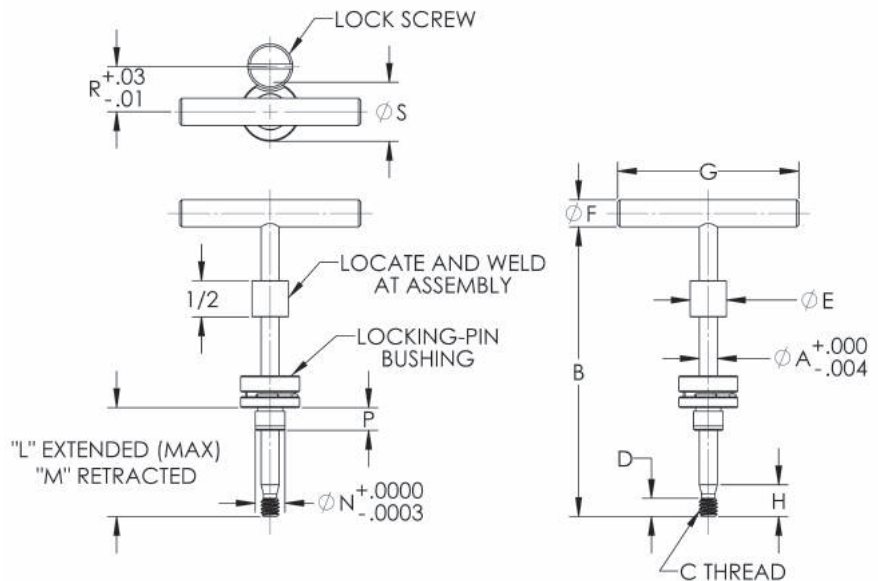
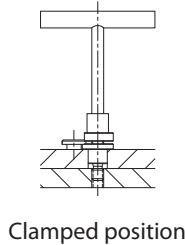
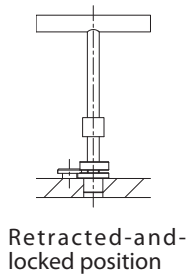
1



Locking Clamping Pins are similar to standard Clamping Pins, except that the pin body is positively retained in a locking bushing. In fully retracted position, the bushing's spring clip snaps into the pin's radial groove. This holds the pin fully retracted by spring force and positively prevents removal. Spring pressure also holds the pin in intermediate extended positions, an advantage especially if the fixture is turned upside down.

These threaded alignment pins can be used for locating and clamping, or for clamping only, depending on extended screw length. The upper bushing is furnished separate from the pin, and must be welded in place at the proper length to suit the application. Available in thread sizes from 1/4-20 to 1/2-13 (M6 to M12 in metric).

Locking-Pin Bushings are designed to press fit in a standard reamed hole. Secure with the included Lockscrew to positively hold the bushing in place. Shorter or longer bushings are available in most sizes, for thinner or thicker plates.



COMPLETE ASSEMBLY (INCH)

PART NO.	A DIA		B PIN LENGTH	P BUSHING LENGTH UNDER HEAD		C THREAD	D	E DIA	F DIA	G	H	L	M	N DIA		R	S	CLAMPING PIN (INCLUDED)	BUSHING (INCLUDED)	LOCKSREW (INCLUDED)
	NOMINAL	ACTUAL		NOMINAL	ACTUAL									NOMINAL	ACTUAL					
CL-1-LCP-B	1/4	.2490	4	Standard	.31	1/4-20	1/4	1/2	3/8	2-1/2	.44	3	.10	13/32	.4078	.62	13/16	CL-1-LCP	CL-4-LPB	LS-1
CL-1-LCP-B-2				Long	.50														CL-4A-LPB	
CL-2-LCP-B-1	5/16	.3115	4	Standard	.31	5/16-18	5/16	9/16	7/16	3	.50	3	.16	1/2	.5017	.62	13/16	CL-2-LCP	CL-5-LPB	LS-1
CL-2-LCP-B-3				Medium	.37														CL-5A-LPB	
CL-3-LCP-B-1	3/8	.3740	4-1/2	Standard	.31	3/8-16	3/8	5/8	1/2	3-1/2	.57	3-1/2	.23	5/8	.6267	.62	13/16	CL-3-LCP	CL-6-LPB	LS-1
CL-3-LCP-B				Long	.50														CL-6A-LPB	
CL-4-LCP-B-1	1/2	.4990	5	Standard	.50	1/2-13	1/2	3/4	5/8	3-1/2	.69	4	.35	3/4	.7518	.75	1-1/16	CL-4-LCP	CL-8-LPB	LS-1
CL-4-LCP-B				Long	.75														CL-8A-LPB	

COMPLETE ASSEMBLY (METRIC)

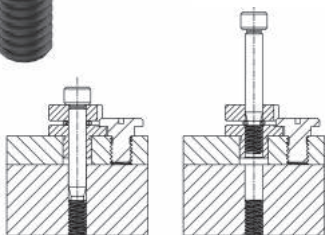
CLM-6-LCP-B	6mm	.2352	4	Standard	.31	M6	.24	1/2	3/8	2-1/2	.43	3	.09	10mm	.3952	.630	.87	CLM-6-LCP	CL-6-LPB	LSM-3
CLM-8-LCP-B	8mm	.3140	4	Standard	.39	M8	.31	9/16	7/16	3	.56	3	.16	13mm	.5135	.630	.87	CLM-8-LCP	CL-8-LPB	LSM-3
CLM-10-LCP-B	10mm	.3927	4-1/2	Standard	.47	M10	.39	5/8	1/2	3-1/2	.67	3-1/2	.24	16mm	.6316	.630	.87	CLM-10-LCP	CL-10-LPB	LSM-3
CLM-12-LCP-B	12mm	.4715	5	Standard	.71	M12	.47	3/4	5/8	3-1/2	.78	4	.32	20mm	.7892	.709	1.02	CLM-12-LCP	CL-12-LPB	LSM-3

CAPTIVE LOCATING SCREWS

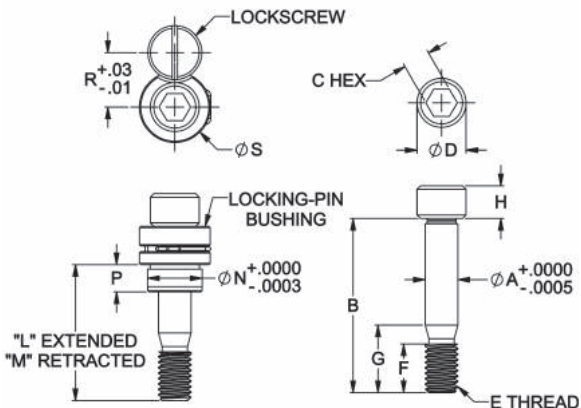
SCREW: 12L14 STEEL, CARBURIZED-HARDENED, BLACK OXIDE FINISH
 LOCKING-PIN BUSHING: 8620 STEEL, CARBURIZED-HARDENED, BLACK OXIDE FINISH
 RETAINER CLIP: SPRING STEEL



Socket Head



Captive Locating Screws can be used for locating and clamping, or for clamping only, by selecting the appropriate screw length. The locating screw's precision-ground body is positively retained in a locking bushing. In fully retracted position, the bushing's spring clip snaps into the body's radial groove. This holds the screw fully retracted by spring force and positively prevents removal. Spring pressure also holds the screw in intermediate extended positions, an advantage especially if the fixture is turned upside down.



SOCKET HEAD – COMPLETE ASSEMBLY (INCH)

PART NO.	A DIA		B SCREW LENGTH	P BUSHING LENGTH UNDER HEAD	C	D DIA	E THREAD	F	G	H	L	M	N DIA		R	S DIA	LOCATING SCREW (INCLUDED)	BUSHING (INCLUDED)	LOCK-SCREW (INCLUDED)																
	NOMINAL	ACTUAL											NOMINAL	ACTUAL																					
CL-4-CLSA-1.25	1/4	.2490	1-1/4	Standard	.31	3/16	3/8	1/4-20	.40	.59	1/4	.81	.25	13/32	.4078	.62	13/16	CL-4-CLS-1.25	CL-4-LPB	LS-1															
CL-42-CLSA-1.25				Long	.50													CL-4-CLS-1.25	CL-4A-LPB																
CL-4-CLSA-1.75			1-3/4	Standard	.31													CL-4-CLS-1.75	CL-4A-LPB																
CL-42-CLSA-1.75				Long	.50													CL-4-CLS-1.75	CL-4A-LPB																
CL-5-CLSA-1.38	5/16	.3115	1-3/8	Standard	.31	1/4	15/32	5/16-18	.47	.65	5/16	1.31	.32	1/2	.5017	.62	13/16	CL-5-CLS-1.38	CL-5-LPB	LS-1															
CL-52-CLSA-1.38				Medium	.37													CL-5-CLS-1.38	CL-5A-LPB																
CL-53-CLSA-1.38			Long	.50	CL-5-CLS-1.38													CL-5B-LPB																	
CL-5-CLSA-1.75			1-3/4	Standard	.31													CL-5-CLS-1.75	CL-5A-LPB																
CL-52-CLSA-1.75				Medium	.37													CL-5-CLS-1.75	CL-5B-LPB																
CL-53-CLSA-1.75			Long	.50	CL-5-CLS-1.75													CL-5B-LPB																	
CL-5-CLSA-3.00			3	Standard	.31													CL-5-CLS-3.00	CL-5-LPB																
CL-52-CLSA-3.00				Medium	.37													CL-5-CLS-3.00	CL-5A-LPB																
CL-53-CLSA-3.00	Long	.50		CL-5-CLS-3.00	CL-5B-LPB																														
CL-6-CLSA-1.50	3/8	.3740	1-1/2	Standard	.31	5/16	9/16	3/8-16	.56	.75	3/8	1.06	.41	5/8	.6267	.62	13/16	CL-6-CLS-1.50	CL-6-LPB	LS-1															
CL-62-CLSA-1.50				Long	.50													CL-6-CLS-1.50	CL-6A-LPB																
CL-6-CLSA-1.75			1-3/4	Standard	.31													CL-6-CLS-1.75	CL-6-LPB																
CL-62-CLSA-1.75				Long	.50													CL-6-CLS-1.75	CL-6A-LPB																
CL-6-CLSA-2.00			2	Standard	.31													CL-6-CLS-2.00	CL-6-LPB																
CL-62-CLSA-2.00				Long	.50													CL-6-CLS-2.00	CL-6A-LPB																
CL-6-CLSA-3.00			3	Standard	.31													CL-6-CLS-3.00	CL-6-LPB																
CL-62-CLSA-3.00				Long	.50													CL-6-CLS-3.00	CL-6A-LPB																
CL-8-CLSA-1.50			1/2	.4990	1-1/2													Standard	.50		3/8	3/4	1/2-13	.75	.93	1/2	1.06	.60	3/4	.7518	.75	1-1/16	CL-8-CLS-1.50	CL-8-LPB	LS-1
CL-82-CLSA-1.50																		Long	.75														CL-8-CLS-1.50	CL-8A-LPB	
CL-8-CLSA-2.00	2	Standard			.50	CL-8-CLS-2.00	CL-8-LPB																												
CL-82-CLSA-2.00		Long			.75	CL-8-CLS-2.00	CL-8A-LPB																												
CL-8-CLSA-3.00	3	Standard			.50	CL-8-CLS-3.00	CL-8-LPB																												
CL-82-CLSA-3.00		Long			.75	CL-8-CLS-3.00	CL-8A-LPB																												

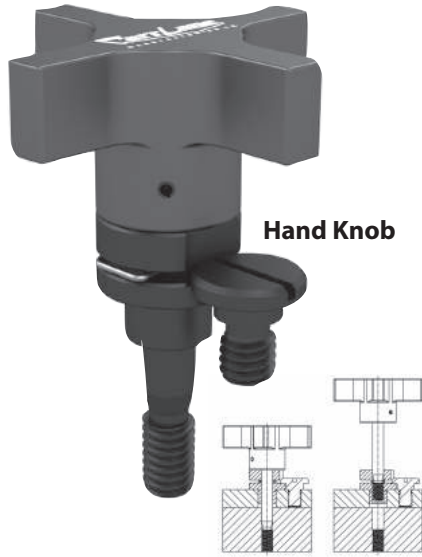
SOCKET HEAD – COMPLETE ASSEMBLY (METRIC)

CLM-6-CLSA-30	6mm	.2352	1.18	Standard	.31	5mm	.39	M6	.39	.56	.24	.71	.15	10mm	.3952	.630	.87	CLM-6-CLS-30	CLM-6-LPB	LSM-3
CLM-8-CLSA-35	8mm	.3140	1.38	Standard	.39	6mm	.51	M8	.47	.66	.31	1.30	.29	13mm	.5135	.630	.87	CLM-8-CLS-35	CLM-8-LPB	LSM-3
CLM-8-CLSA-45			1.77															CLM-8-CLS-45		
CLM-8-CLSA-75			2.95															CLM-8-CLS-75		
CLM-10-CLSA-40	10mm	.3927	1.57	Standard	.47	8mm	.63	M10	.55	.76	.39	1.10	.45	16mm	.6316	.630	.87	CLM-10-CLS-40	CLM-10-LPB	LSM-3
CLM-10-CLSA-50			1.97															CLM-10-CLS-50		
CLM-10-CLSA-75			2.95															CLM-10-CLS-75		
CLM-12-CLSA-50	12mm	.4715	1.97	Standard	.71	10mm	.71	M12	.79	1.02	.47	1.50	.68	20mm	.7892	.709	1.02	CLM-12-CLS-50	CLM-12-LPB	LSM-3
CLM-12-CLSA-60			2.36															CLM-12-CLS-60		
CLM-12-CLSA-75			2.95															CLM-12-CLS-75		

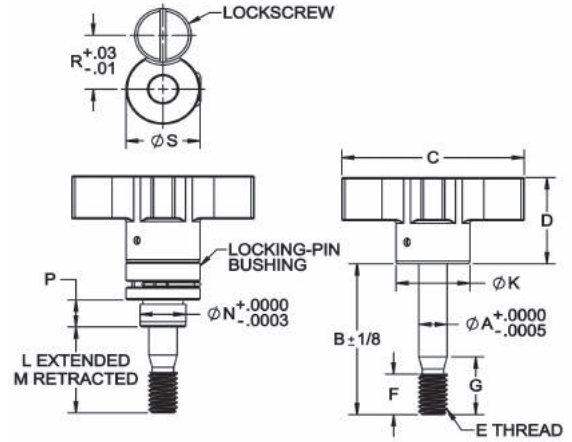
CAPTIVE LOCATING SCREWS

SCREW: 12L14 STEEL, CARBURIZED-HARDENED, BLACK OXIDE FINISH
 WASHER: 1010 STEEL, CARBURIZED-HARDENED, BLACK OXIDE FINISH
 LOCKING-PIN BUSHING: 8620 STEEL, CARBURIZED-HARDENED, BLACK OXIDE FINISH. RETAINER CLIP: SPRING STEEL

1



These Captive Locating Screws have an integral hand knob for tightening by hand. Captive Locating Screws can be used for locating and clamping, or for clamping only, by selecting the appropriate screw length. The locating screw's precision-ground body is positively retained in a locking bushing. In fully retracted position, the bushing's spring clip snaps into the body's radial groove. This holds the screw fully retracted by spring force and positively prevents removal. Spring pressure also holds the screw in intermediate extended positions, an advantage especially if the fixture is turned upside down.



HAND KNOB — COMPLETE ASSEMBLY (INCH)

PART NO.	A DIA		B	P BUSHING LENGTH UNDER HEAD		C	D	E THREAD	F	G	K DIA	L	M	N DIA		R	S DIA	LOCATING SCREW (INCLUDED)	BUSHING (INCLUDED)	LOCKSCREW (INCLUDED)													
	NOMINAL	ACTUAL		NOMINAL	ACTUAL																												
CL-4-CSHKA-1.25	1/4	.2490	1-1/4	Standard	.31	1.8	1.1	1/4-20	.40	.59	3/4	.81	.25	13/32	.4078	.62	13/16	CL-4-CSHK-1.25	CL-4-LPB	LS-1													
CL-42-CSHKA-1.25				Long	.50														CL-4A-LPB														
CL-4-CSHKA-1.75			Standard	.31	CL-4-LPB																												
CL-42-CSHKA-1.75			Long	.50	CL-4A-LPB																												
CL-5-CSHKA-1.38	5/16	.3115	1-3/8	Standard	.31	1.8	1.1	5/16-18	.47	.65	3/4	1.31	.32	1/2	.5017	.62	13/16	CL-5-CSHK-1.38	CL-5-LPB	LS-1													
CL-52-CSHKA-1.38				Medium	.37														CL-5A-LPB														
CL-53-CSHKA-1.38			Long	.50	CL-5B-LPB																												
CL-5-CSHKA-1.75			Standard	.31	CL-5-LPB																												
CL-52-CSHKA-1.75			Medium	.37	CL-5A-LPB																												
CL-53-CSHKA-1.75			Long	.50	CL-5B-LPB																												
CL-5-CSHKA-3.00			3	.3115	3														Standard		.31	2.56	1.06	1	1.56	.41	5/8	.6267	.62	13/16	CL-6-CSHK-2.00	CL-6-LPB	LS-1
CL-52-CSHKA-3.00																			Medium		.37												
CL-53-CSHKA-3.00	Long	.50				CL-6A-LPB																											
CL-6-CSHKA-1.50	3/8	.3740	1-1/2	Standard	.31	2.1	1.4	3/8-16	.56	.75	1	1.56	.41	5/8	.6267	.62	13/16	CL-6-CSHK-1.50	CL-6-LPB	LS-1													
CL-62-CSHKA-1.50				Long	.50														CL-6A-LPB														
CL-6-CSHKA-2.00			2	Standard	.31														2.56		1.06	1	1.56	.41	5/8	.6267	.62	13/16	CL-6-CSHK-2.00	CL-6-LPB			
CL-62-CSHKA-2.00				Long	.50																									CL-6A-LPB			
CL-6-CSHKA-3.00	3	.3740	3	Standard	.31	2.56	1.06	1	1.56	.41	5/8	.6267	.62	13/16	CL-6-CSHK-3.00	CL-6-LPB																	
CL-62-CSHKA-3.00				Long	.50											CL-6A-LPB																	
CL-8-CSHKA-1.50	1/2	.4990	1-1/2	Standard	.50	2.1	1.4	1/2-13	.75	.93	1	1.56	.60	3/4	.7518	.75	1-1/16	CL-8-CSHK-1.50	CL-8-LPB	LS-1													
CL-82-CSHKA-1.50				Long	.75														CL-8A-LPB														
CL-8-CSHKA-2.00			2	Standard	.50														2.56		1.06	1	1.56	.60	3/4	.7518	.75	1-1/16	CL-8-CSHK-2.00	CL-8-LPB			
CL-81-CSHKA-2.00				Long	.75																									CL-8A-LPB			
CL-8-CSHKA-3.00			3	.4990	3														Standard		.50	2.56	1.06	1	1.56	.60	3/4	.7518	.75	1-1/16	CL-8-CSHK-3.00	CL-8-LPB	
CL-82-CSHKA-3.00																			Long		.75											CL-8A-LPB	

HAND KNOB — COMPLETE ASSEMBLY (METRIC)

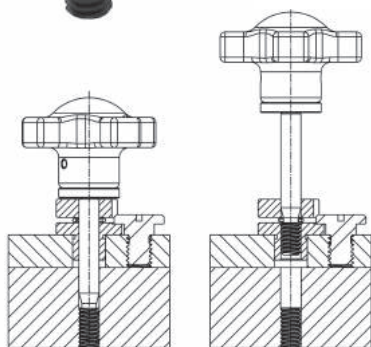
CLM-6-CSHKA-30	6mm	.2352	1.18	Standard	.31	1.8	1.1	M6	.39	.56	3/4	.71	.15	10mm	.3952	.630	.87	CLM-6-CSHK-30	CLM-6-LPB	LSM-3	
CLM-8-CSHKA-35	8mm	.3140	1.77	Standard	.39	1.8	1.1	M8	.47	.66	3/4	1.30	.29	13mm	.5135	.630	.87	CLM-8-CSHK-35	CLM-8-LPB	LSM-3	
CLM-8-CSHKA-45																		2.48			CLM-8-CSHK-45
CLM-8-CSHKA-75																		2.95			CLM-8-CSHK-75
CLM-10-CSHKA-40																		1.57			CLM-10-CSHK-40
CLM-10-CSHKA-50	10mm	.3927	1.97	Standard	.47	2.1	1.4	M10	.55	.75	1	1.50	.45	16mm	.6316	.630	.87	CLM-10-CSHK-50	CLM-10-LPB	LSM-3	
CLM-10-CSHKA-75																		2.95			CLM-10-CSHK-75
CLM-12-CSHKA-50																		1.97			CLM-12-CSHK-50
CLM-12-CSHKA-60	12mm	.4715	2.36	Standard	.71	2.1	1.4	M12	.79	1.02	1	1.89	.68	20mm	.7892	.709	1.02	CLM-12-CSHK-60	CLM-12-LPB	LSM-3	
CLM-12-CSHKA-75																		2.95			CLM-12-CSHK-75

CAPTIVE LOCATING SCREWS

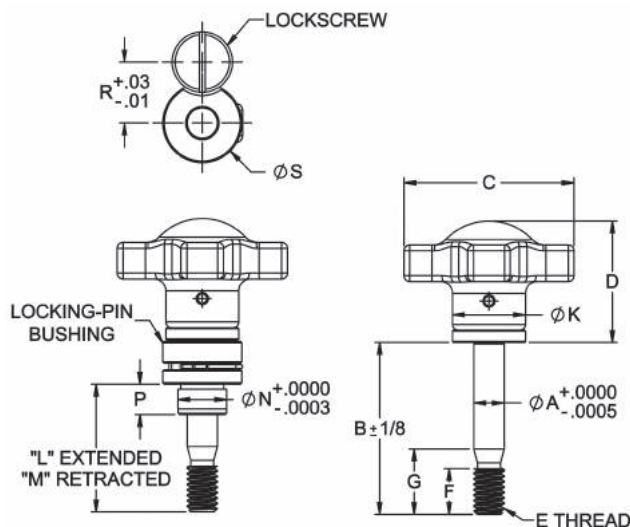
SCREW: 12L14 STEEL, CARBURIZED-HARDENED, BLACK OXIDE FINISH
 WASHER: 1010 STEEL, CARBURIZED-HARDENED, BLACK OXIDE FINISH
 LOCKING-PIN BUSHING: 8620 STEEL, CARBURIZED-HARDENED, BLACK OXIDE FINISH.
 RETAINER CLIP: SPRING STEEL



**Swivel Washer
Hand Knob**



These Captive Locating Screws have an integral hand knob with a rotating swivel washer, which provides smooth clamping with consistent force. Captive Locating Screws can be used for locating and clamping, or for clamping only, by selecting the appropriate screw length. The locating screw's precision-ground body is positively retained in a locking bushing. In fully retracted position, the bushing's spring clip snaps into the body's radial groove. This holds the screw fully retracted by spring force and positively prevents removal. Spring pressure also holds the screw in intermediate extended positions, an advantage especially if the fixture is turned upside down.



SWIVEL WASHER HAND KNOB — COMPLETE ASSEMBLY (INCH)

PART NO.	A DIA		B	C	D	E THREAD	F	G	K DIA	L	M	N DIA		P	R	S DIA	LOCATING SCREW (INCLUDED)	BUSHING (INCLUDED)	LOCKSCREW (INCLUDED)
	NOMINAL	ACTUAL										NOMINAL	ACTUAL						
CL-4-CLSSHA-1.25	1/4	.2490	1-1/4	1.75	1.33	1/4-20	.40	.59	3/4	.81	.25	13/32	.4078	.31	.62	13/16	CL-4-CLSSH-1.25	CL-4-LPB	LS-1
CL-5-CLSSHA-1.38	5/16	.3115	1-3/8	1.75	1.34	5/16-18	.47	.65	3/4	.94	.32	1/2	.5017	.31	.62	13/16	CL-5-CLSSH-1.38	CL-5-LPB	LS-1
CL-5-CLSSHA-1.75			1-3/4							1.31							CL-5-CLSSH-1.75		
CL-5-CLSSHA-3.00			3							2.56							CL-5-CLSSH-3.00		
CL-6-CLSSHA-1.50	3/8	.3740	1-1/2	2.13	1.47	3/8-16	.56	.75	1	1.06	.41	5/8	.6267	.31	.62	13/16	CL-6-CLSSH-1.50	CL-6-LPB	LS-1
CL-6-CLSSHA-2.00			2							1.56							CL-6-CLSSH-2.00		
CL-6-CLSSHA-3.00			3							2.56							CL-6-CLSSH-3.00		
CL-8-CLSSHA-1.50	1/2	.4990	1-1/2	2.13	1.53	1/2-13	.75	.93	1	1.06	.60	3/4	.7518	.50	.75	1-1/16	CL-8-CLSSH-1.50	CL-8-LPB	LS-1
CL-8-CLSSHA-2.00			2							1.56							CL-8-CLSSH-2.00		
CL-8-CLSSHA-3.00			3							2.56							CL-8-CLSSH-3.00		

SWIVEL WASHER HAND KNOB — COMPLETE ASSEMBLY (METRIC)

PART NO.	A DIA		B	C	D	E THREAD	F	G	K DIA	L	M	N DIA		P	R	S DIA	LOCATING SCREW (INCLUDED)	BUSHING (INCLUDED)	LOCKSCREW (INCLUDED)
	NOMINAL	ACTUAL										NOMINAL	ACTUAL						
CLM-6-CLSSHA-30	6mm	.2352	1.18	1.8	1.33	M6	.39	.56	3/4	.71	.15	10mm	.3952	.31	.630	.87	CLM-6-CLSSH-30	CLM-6-LPB	LSM-3
CLM-8-CLSSHA-35	8mm	.3140	1.38	1.8	1.34	M8	.47	.66	3/4	.91	.29	13mm	.5135	.39	.630	.87	CLM-8-CLSSH-35	CLM-8-LPB	LSM-3
CLM-8-CLSSHA-45			1.77							1.30							CLM-8-CLSSH-45		
CLM-8-CLSSHA-75			2.95							2.48							CLM-8-CLSSH-75		
CLM-10-CLSSHA-40	10mm	.3927	1.57	2.1	1.47	M10	.55	.76	1	1.10	.45	16mm	.6316	.47	.630	.87	CLM-10-CLSSH-40	CLM-10-LPB	LSM-3
CLM-10-CLSSHA-50			1.97							1.50							CLM-10-CLSSH-50		
CLM-10-CLSSHA-75			2.95							2.48							CLM-10-CLSSH-75		
CLM-12-CLSSHA-50	12mm	.4715	1.97	2.1	1.53	M12	.79	1.02	1	1.50	.68	20mm	.7892	.71	.709	1.02	CLM-12-CLSSH-50	CLM-12-LPB	LSM-3
CLM-12-CLSSHA-60			2.36							1.89							CLM-12-CLSSH-60		
CLM-12-CLSSHA-75			2.95							2.48							CLM-12-CLSSH-75		

CAPTIVE CLAMPING PINS

KNOB: 8620 STEEL, CASE HARDENED, BLACK OXIDE FINISH
 PIN BODY: 12L14 STEEL, CARBURIZE HARDENED, BLACK OXIDE FINISH

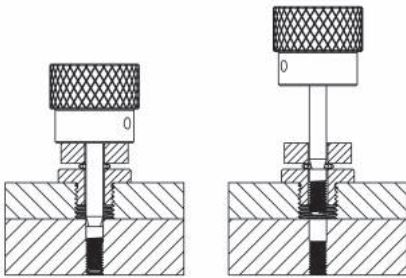
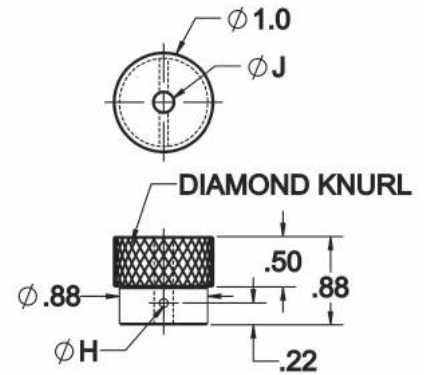
1



Assembly with Knurled Knob

These Captive Clamping Pins have a knurled knob for tightening by hand and a pin body that is positively retained in a locking bushing. In fully retracted position, the bushing's spring clip snaps into the pin's radial groove. This holds the pin fully retracted by spring force. These pins also incorporate a positive thread stop (the .10"-long unthreaded portion with a square shoulder, above the threads) to positively prevent screwing the pin past the spring clip. Spring pressure also holds the pin in intermediate extended positions, an advantage especially if the fixture is turned upside down. Available in fine-thread sizes from #10-32 to 3/8-24.

These clamping pins must be ordered as three separate items: (1) Knurled Knob with roll pin; (2) Pin Body; (3) Locking-Pin Bushing. The Pin Body must be cut to length and pinned by the customer to suit the specific application (3" maximum A dimension). For dimensions and specifications of Locking-Pin Bushings, see opposite page.



KNURLED KNOB WITH ROLL PIN (INCH)

PART NO.	KNOB DIA	H DIA	J DIA
CL-190-CPKK	1	1/16	.190
CL-250-CPKK		3/32	.250
CL-313-CPKK		3/32	.313
CL-375-CPKK		1/8	.375

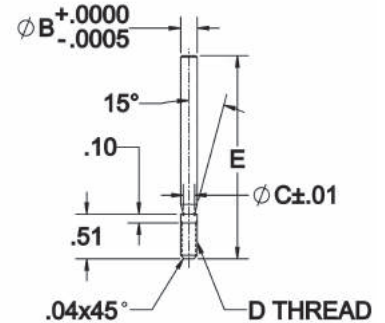
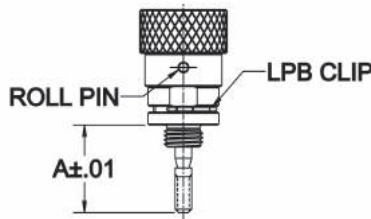


Knurled Knob with Roll Pin

Pin Body

Locking-Pin Bushing

ASSEMBLY EXAMPLE



PIN BODY (INCH)

PART NO.	A MAX	B DIA		C DIA	D THREAD	E
		NOMINAL	ACTUAL			
CL-190-CCPT-3.000	3.000	#10	.1890	.13	#10-32	4.32
CL-250-CCPT-3.000		1/4	.2490	.17	1/4-28	
CL-313-CCPT-3.000		5/16	.3115	.21	5/16-24	
CL-375-CCPT-3.000		3/8	.3740	.26	3/8-24	

LOCKING-PIN BUSHINGS (INCH)

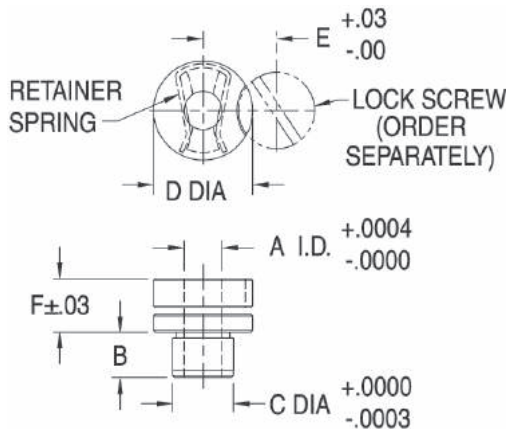
PART NO. STANDARD PRESS-FIT BUSHING	PART NO. OVERSIZE PRESS-FIT BUSHING	PART NO. OVERSIZE THREADED BUSHING	FOR PIN BODY DIA
—	—	CL-3-TLPB-OS	#10
CL-4-LPB	CL-4-LPB-OS	CL-4-TLPB-OS	1/4
CL-5-LPB	CL-5-LPB-OS	CL-5-TLPB-OS	5/16
CL-6-LPB	CL-6-LPB-OS	CL-6-TLPB-OS	3/8

LOCKING-PIN BUSHINGS

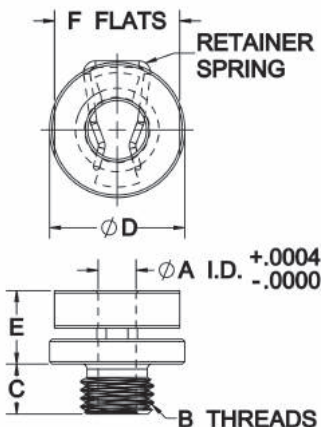
PRESS FIT: 8620 STEEL, CASE HARDENED, BLACK OXIDE FINISH
 THREADED: 12L14 STEEL, CARBURIZE HARDENED, BLACK OXIDE FINISH



Press Fit



Threaded



Locking-Pin Bushings are equipped with a retainer spring clip on the inside diameter. These bushings are used with all types of locking/captive pins and locating screws. Available for pin diameters 3/16 to 1/2" (6 to 12mm in metric). Some bushings are available in a choice of lengths, to suit thinner or thicker plates. Several bushing sizes are optionally available with an oversize ID (.040" larger), for applications with multiple pins where additional clearance is desired to prevent binding. Locking-Pin Bushings are designed to press fit in a standard reamed hole. Secure with a Lockscrew to positively hold the bushing in place – order separately as part number LS-1 (inch) or LSM-3 (metric).

PRESS FIT (INCH)

PART NO.	A DIA		B	C DIA		D DIA	E	F	MATCHING P BUSHING FOR BOTTOM PLATE
	NOMINAL	ACTUAL		NOMINAL	ACTUAL				
CL-3-LPB	3/16	.1868	.31						P-26-6-.1865
CL-4-LPB	1/4	.2493	.31	13/32	.4078	13/16	.62	.44	P-26-6-.2490
CL-4A-LPB			.50						
CL-5-LPB	5/16	.3118	.31	1/2	.5017	13/16	.62	.44	P-32-6-.3115
CL-5A-LPB			.37						
CL-5B-LPB			.50						
CL-6-LPB	3/8	.3743	.31	5/8	.6267	1-1/16	.75		P-40-8-.3740
CL-6A-LPB			.50						
CL-8-LPB	1/2	.4993	.50	3/4	.7518	1-1/16	.75		P-48-12-.4990
CL-8A-LPB			.75						

PRESS FIT (METRIC)

CLM-6-LPB	6mm	.2355	.31	10mm	.3952				—
CLM-8-LPB	8mm	.3143	.39	13mm	.5135	.87	.630	.47	—
CLM-10-LPB	10mm	.3930	.47	16mm	.6316				—
CLM-12-LPB	12mm	.4717	.71	20mm	.7892	1.02	.709		—

PRESS FIT, WITH OVERSIZE ID (INCH)

CL-4-LPB-OS	1/4	.2643	.31	13/32	.4078	13/16	.62	.44	—
CL-5-LPB-OS	5/16	.3268	.31	1/2	.5017	13/16	.62	.44	—
CL-6-LPB-OS	3/8	.3893	.31	5/8	.6267	13/16	.62	.44	—
CL-8-LPB-OS	1/2	.5143	.50	3/4	.7518	1-1/16	.75	.44	—

PRESS FIT, WITH OVERSIZE ID (METRIC)

CLM-6-LPB-OS	6mm	.2755	.31	10mm	.3952				—
CLM-8-LPB-OS	8mm	.3543	.39	13mm	.5135	.87	.630	.47	—
CLM-10-LPB-OS	10mm	.4330	.47	16mm	.6316				—
CLM-12-LPB-OS	12mm	.5117	.71	20mm	.7892	1.02	.709		—

Also available in threaded version!

Locking-Pin Bushings are now optionally available with a threaded OD, for installation in a tapped hole. This version is designed for use with clamping pins in non-locating applications, with an ID size .040" over nominal size.

THREADED, WITH OVERSIZE ID (INCH)

PART NO.	A DIA		B THREAD	C	D DIA	E	F
	NOMINAL	ACTUAL					
CL-3-TLPB-OS	3/16	.2268	7/16-20	.300	.81	.44	3/4
CL-4-TLPB-OS	1/4	.2893	1/2-20				
CL-5-TLPB-OS	5/16	.3518	9/16-18	.350	1.06		1
CL-6-TLPB-OS	3/8	.4143	5/8-18				
CL-8-TLPB-OS	1/2	.5393	3/4-16				

THREADED, WITH OVERSIZE ID (METRIC)

CLM-6-TLPB-OS	6mm	.2755	M12x1.25	.300	.87	.47	20mm
CLM-8-TLPB-OS	8mm	.3543	M16x1.5				
CLM-10-TLPB-OS	10mm	.4330	M18x1.5	.350	1.02		24mm
CLM-12-TLPB-OS	12mm	.5117	M20x1.5				

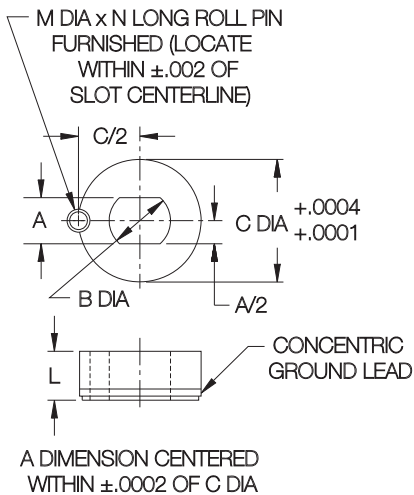
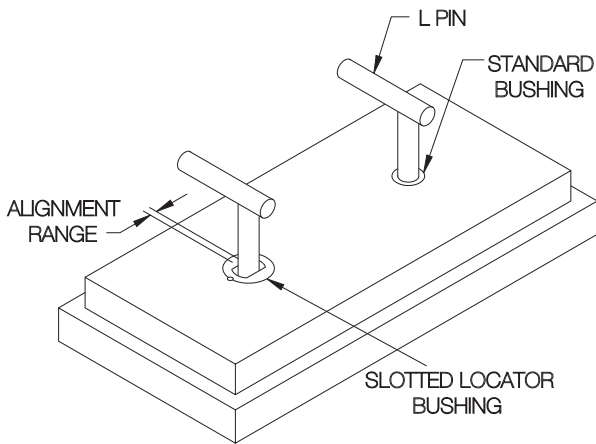
SLOTTED LOCATOR BUSHINGS

STEEL: TOOL STEEL, HEAT TREATED RC 58-62, BLACK OXIDE FINISH
 STAINLESS: 440C STAINLESS STEEL, HEAT TREATED

1



Use with L Pins, T Pins, Shoulder Pins, or Carr Lock® Clamps to align two holes without binding. Precision bushing with a tight tolerance in one direction and full relief in the perpendicular direction. Available for 1/8 through 1" diameter pins (5mm-25mm in metric sizes). To install, first drill and ream hole for roll pin (furnished), then bore large bushing hole for .0003-.0005 press fit. Press in bushing and roll pin simultaneously for accurate orientation. **Patent no. 3,381,554.**



INCH

PART NO.		PIN DIA	A	B DIA	C DIA	L	M DIA	N
STEEL	STAINLESS							
CL-2-SLLB	—	1/8	.1251/.1257	.250	.7500	.40	3/16	3/8
CL-3-SLLB-.1285	—	#30	.1286/.1292	.312	.7500	.40		
CL-3-SLLB-.1562	—	5/32	.1563/.1569	.312	.7500	.40		
CL-3-SLLB	CL-3-SLLB-S	3/16	.1876/.1882	.312	.7500	.40		
CL-4-SLLB-.1910	—	#11	.1911/.1917	.375	.7500	.40		
CL-4-SLLB-.1935	—	#10	.1936/.1942	.375	.7500	.40		
CL-4-SLLB-.1960	—	#9	.1961/.1967	.375	.7500	.40		
CL-4-SLLB-.2188	—	7/32	.2189/.2195	.375	.7500	.40		
CL-4-SLLB	CL-4-SLLB-S	1/4	.2501/.2507	.375	.7500	.40		
CL-4A-SLLB	—		1.0000					
CL-5-SLLB-.2570	—	F	.2571/.2577	.437	1.0000	.40		
CL-5-SLLB-.2812	—	9/32	.2813/.2819	.437	1.0000	.40		
CL-5-SLLB	CL-5-SLLB-S	5/16	.3126/.3132	.437	1.0000	.40		
CL-6-SLLB	CL-6-SLLB-S	3/8	.3751/.3757	.500	1.0000	.40		
CL-8A-SLLB	CL-8A-SLLB-S	1/2	.5001/.5007	.625	1.0000	.90		
CL-8-SLLB	—		.90					
CL-10-SLLB	CL-10-SLLB-S	5/8	.6251/.6257	.750	1.2500	.90		
CL-12-SLLB	CL-12-SLLB-S	3/4	.7501/.7510	.812	1.5000	.98		
CL-14-SLLB	—	7/8	.8751/.8760	1.000	1.5000	.98		
CL-16-SLLB	—	1	1.0001/1.0010	1.062	1.5000	.98		

METRIC

CLM-5-SLLB	—	5mm	.1970/.1980	.315	.7874	.35	5mm	8mm
CLM-6-SLLB	CLM-6-SLLB-S	6mm	.2363/.2373	.354	.7874	.35		
CLM-8-SLLB	CLM-8-SLLB-S	8mm	.3151/.3161	.433	.9449	.35		
CLM-10-SLLB	CLM-10-SLLB-S	10mm	.3938/.3948	.512	.9449	.55		
CLM-12-SLLB	CLM-12-SLLB-S	12mm	.4725/.4735	.591	.9449	.55		
CLM-16-SLLB	CLM-16-SLLB-S	16mm	.6300/.6310	.709	1.1811	.47		
CLM-20-SLLB	CLM-20-SLLB-S	20mm	.7875/.7885	.866	1.4173	.75		
CLM-25-SLLB	CLM-25-SLLB-S	25mm	.9844/.9854	1.063	1.5748	.75		

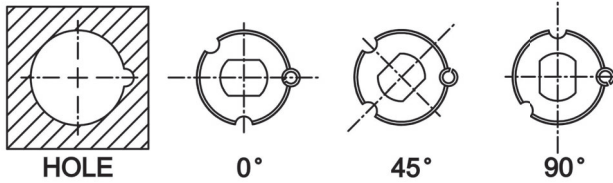
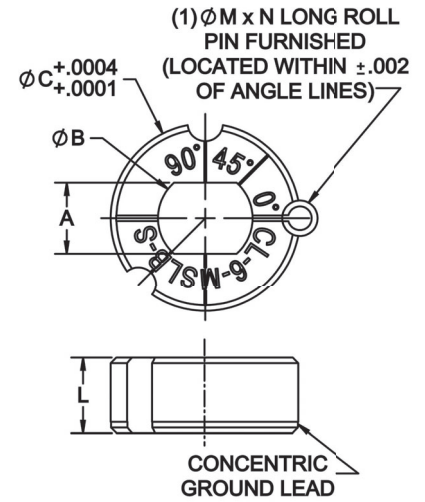
MULTI-ANGLE SLOTTED LOCATOR BUSHINGS

440C STAINLESS STEEL, HEAT TREATED, PASSIVATED



New item!

Slotted Locator Bushings can be used with many types of alignment pins and locating pins to align two holes without binding. The multi-angle version shown here can be installed normally (0°) or at a 90° or 45° angle in the same mounting hole without machining a different pin location. Slotted Locator Bushings have a tight tolerance in one direction and full relief in the perpendicular direction. Available for pin diameters from 1/4 to 1/2", in hardened 440C stainless steel. To install, first drill and ream the small hole for the roll pin, then bore the large bushing hole to provide .0003-.0005" press fit. Press in the bushing and roll pin simultaneously for accurate orientation.



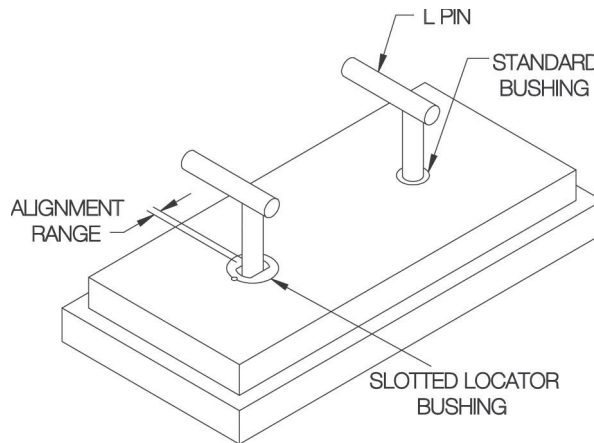
Multi-Angle Slotted Locator Bushings can be installed normally (0°) or at a 90° or 45° angle in the same mounting hole without machining a different pin location.

INCH

PART NO.	PIN DIA	A	B DIA	C DIA	L	M DIA	N
CL-4-MSLB-S	1/4	.2501 / .2507	.375	.7500	.40	3/16	3/8
CL-5-MSLB-S	5/16	.3126 / .3132	.437	1.0000			
CL-6-MSLB-S	3/8	.3751 / .3757	.500	1.0000			
CL-8A-MSLB-S	1/2	.5001 / .5007	.625	1.0000			

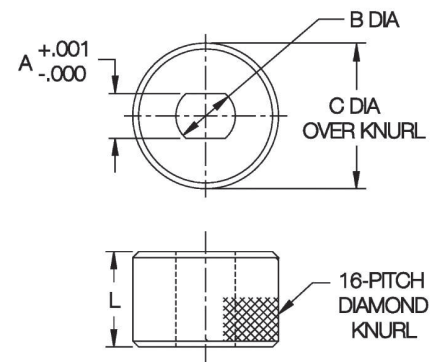
KNURLED SLOTTED LOCATOR BUSHINGS

TOOL STEEL, HEAT TREATED RC 58-62, BLACK OXIDE FINISH



INCH

PART NO.	PIN DIA	A	B DIA	C DIA	L
CL-30-SLLB	3/16	.188	.312	.565	1/2
CL-40-SLLB	1/4	.250	.375	.640	
CL-50-SLLB	5/16	.313	.437	.765	
CL-60-SLLB	3/8	.375	.500	.890	
CL-80-SLLB	1/2	.500	.625	1.015	

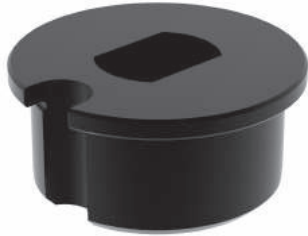


Slotted Locator Bushings with a knurled design for embedding in plastic tooling. Use with L Pins, T Pins, and Shoulder Pins to align two holes without binding. Precision bushing with a tight tolerance in one direction and full relief in the perpendicular direction. Available for 3/16 through 1/2" pin diameters.

HEADED SLOTTED LOCATOR BUSHINGS

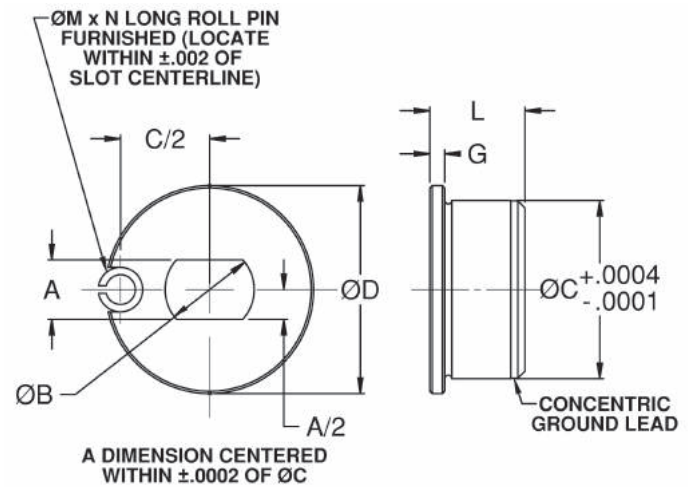
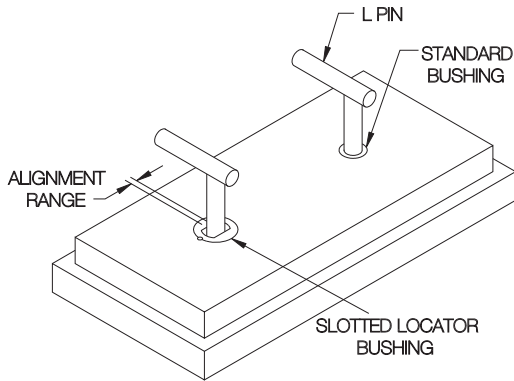
STEEL: TOOL STEEL, HEAT TREATED RC 58-62, BLACK OXIDE FINISH
 STAINLESS STEEL: 440C STAINLESS STEEL, HEAT TREATED

1



Slotted Locator Bushings can be used with many types of alignment pins and locating pins to align two holes without binding. Precision bushing with a tight tolerance in one direction and full relief in the perpendicular direction. This headed version provides more resistance to axial loads. The head can be left exposed, or recessed by counterboring the installation hole. Available for pin diameters from 3/16 to 1/2".

To install, first drill and ream hole for roll pin (furnished), then bore large bushing hole for .0003-.0005" press fit. Press in bushing and roll pin simultaneously for accurate orientation.



STEEL (INCH)

PART NO.	PIN DIA	A	B DIA	C DIA	D DIA	G	L	M DIA	N
CL-3-HSLB	3/16	.1876/.1882	.312	.7500	.875	.0625	.40	3/16	3/8
CL-4-HSLB	1/4	.2501/.2507	.375						
CL-5-HSLB	5/16	.3126/.3132	.437	1.0000	1.125	.0625	.40	3/16	3/8
CL-6-HSLB	3/8	.3751/.3757	.500						
CL-8-HSLB	1/2	.5001/.5007	.625						

STAINLESS STEEL (INCH)

PART NO.	PIN DIA	A	B DIA	C DIA	D DIA	G	L	M DIA	N
CL-3-HSLB-S	3/16	.1876/.1882	.312	.7500	.875	.0625	.40	3/16	3/8
CL-4-HSLB-S	1/4	.2501/.2507	.375						
CL-5-HSLB-S	5/16	.3126/.3132	.437	1.0000	1.125	.0625	.40	3/16	3/8
CL-6-HSLB-S	3/8	.3751/.3757	.500						
CL-8-HSLB-S	1/2	.5001/.5007	.625						

SLOTTED LOCATOR TEMPLATE BUSHINGS

BUSHING: 1144 STEEL, CARBURIZED-HARDENED
RETAINER RING: ALUMINUM



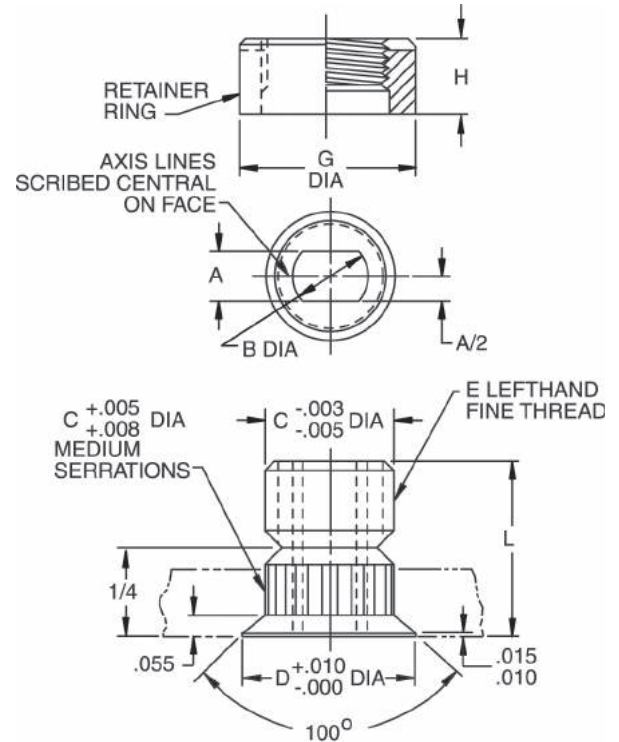
Retainer Ring



Bushing

These Slotted Locator Bushings are designed for thin template jig plates from 3/64" to 3/8" thick. Use with L Pins, T Pins, or Shoulder Pins to align two holes without binding. Precision bushing with a tight tolerance in one direction and full relief in the perpendicular direction. Bushings are held in place by a threaded Retainer Ring (order separately). Flush contact of the Retainer Ring against the jig plate ensures perpendicularity. OD serrations prevent the bushing from rotating. Threaded Template Bushings can be easily removed to replace or reuse. Available for pin diameters from 3/16 to 3/4".

To install, drill hole in jig plate to nominal bushing OD (B diameter). Countersink 90° to allow bushing to seat flush to .015" below surface of plate. Install and tighten Retainer Ring to secure. To make Retainer Ring installation easier, we offer a handy Socket-Type Installation Tool that fits 1/4" square drives — **INFO+**: see page 583.



INCH

PART NO.	PIN DIA	A	B DIA	C DIA	D DIA	E	L	RETAINER RING PART NO.	TEMPLATE THICKNESS	G DIA	H
CL-40-SLTB-1875	3/16	.1876/.1882	3/8	.625	.725	5/8-18 LH	1/2	TTR-40-6	.047-.125	3/4	3/8
								TTR-40-5	.126-.188		5/16
								TTR-40-3	.189-.375		3/16
CL-40-SLTB-1935	#10	.1936/.1942	3/8	.625	.725	5/8-18 LH	1/2	TTR-40-6	.047-.125	3/4	3/8
								TTR-40-5	.126-.188		5/16
								TTR-40-3	.189-.375		3/16
CL-40-SLTB-2500	1/4	.2501/.2507	3/8	.625	.725	5/8-18 LH	1/2	TTR-40-6	.047-.125	3/4	3/8
								TTR-40-5	.126-.188		5/16
								TTR-40-3	.189-.375		3/16
CL-48-SLTB-3125	5/16	.3126/.3132	7/16	.750	.850	3/4-16 LH	1/2	TTR-48-6	.047-.125	1	3/8
								TTR-48-5	.126-.188		5/16
								TTR-48-3	.189-.375		3/16
CL-48-SLTB-3750	3/8	.3752/.3757	1/2	.750	.850	3/4-16 LH	1/2	TTR-48-6	.047-.125	1	3/8
								TTR-48-5	.126-.188		5/16
								TTR-48-3	.189-.375		3/16
CL-48-SLTB-5000	1/2	.5001/.5007	5/8	.750	.850	3/4-16 LH	1/2	TTR-48-6	.047-.125	1	3/8
								TTR-48-5	.126-.188		5/16
								TTR-48-3	.189-.375		3/16
CL-64-SLTB-6250	5/8	.6251/.6257	3/4	1.000	1.100	1"-14 LH	5/8	TTR-64-6	.047-.125	1-1/4	3/8
								TTR-64-5	.126-.188		5/16
								TTR-64-3	.189-.375		3/16
CL-64-SLTB-7500	3/4	.7501/.7510	13/16	1.000	1.100	1"-14 LH	5/8	TTR-64-6	.047-.125	1-1/4	3/8
								TTR-64-5	.126-.188		5/16
								TTR-64-3	.189-.375		3/16

BALL LOCK PINS

1 TECHNICAL INFORMATION



Pages 48-49



Pages 50-51



Pages 52-53



Pages 54-55



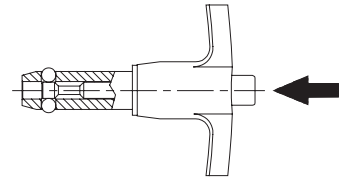
Pages 56-57



Pages 58-59

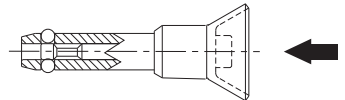
BALL LOCK PINS

Precision alignment pin with a ground shank. This popular single-acting type is positive locking until released by pushing the button, which moves the center spindle forward to allow the locking balls to retract into a radial groove. Widest range of types and sizes, in steel or stainless steel. Choice of four handle styles: T, L, Button, and Ring. Standard shank diameters from 3/16 to 1" (5 to 20mm in metric). Any grip length up to 6" (150mm in metric) is available as standard, at no extra charge. Available from stock in many standard grip lengths, or quickly made to order in custom lengths and diameters.



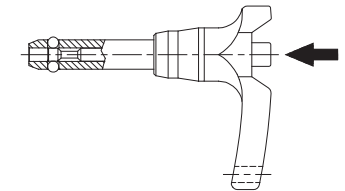
MARINE BALL LOCK PINS

Similar to our standard single-acting Ball Lock Pins in stainless steel, except this type has its handle and button made of 300-series stainless steel. Choice of two handle styles: Recessed Button and Ring. Shank diameters from 3/16 to 1/2", each available in a choice of several standard grip lengths. Available from stock only (not made to order).



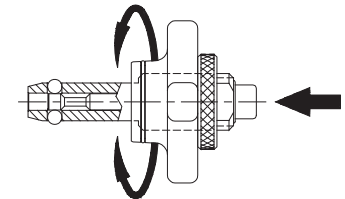
HEAVY-DUTY BALL LOCK PINS

Similar to our standard single-acting Ball Lock Pins, except with a heavier handle for rough service. Available only in stainless steel. Handles are made of solid stainless steel for maximum impact strength and are specially shaped to prevent accidentally pressing the release button. Choice of four handle styles: T, L, Button, and Ring. Shank diameters from 3/16 to 1/2" (5 to 12mm in metric), each in a choice of several standard grip lengths. Available from stock only (not made to order).



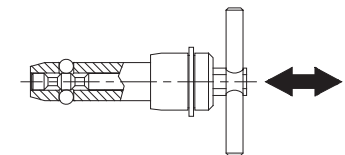
ADJUSTABLE BALL LOCK PINS

These Ball Lock Pins have an adjustable grip length. They can be used for clamping, or simply to provide a variable grip length. The threaded handle turns to provide a 1/2" clamping range or adjustment range. Available in steel or stainless steel. Choice of three handle styles: Knob, T, and L. Standard shank diameters from 1/4 to 1" (6 to 20mm in metric), each in a choice of many standard grip lengths. Other grip lengths are available as specials (extra charge and longer delivery time).



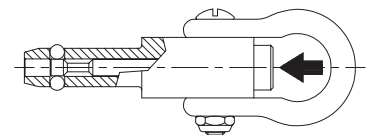
DOUBLE-ACTING BALL LOCK PINS

Similar to a single-acting pin, except the center spindle has two grooves instead of one, to release the ball by either pushing or pulling. Pushing on the handle releases the balls and inserts the pin in one motion. Pulling on the handle releases the balls and removes the pin in one motion. Available in steel or stainless steel. Choice of three handle styles: T, L, and Ring. Standard shank diameters from 3/16 to 1" (5 to 20mm in metric). Any grip length up to 6" (150mm in metric) is available as a standard, at no extra charge. Available from stock in some standard grip lengths, or quickly made to order in custom lengths and diameters.



LIFTING PINS

A single-acting ball lock pin with a solid, one-piece body and four balls for high tension loads. Positive locking until released by pushing the button. Sturdy forged shackle for heavy lifting. Shank diameters from 1/4 to 1", each in a choice of several standard grip lengths. Available from stock only (not made to order).



BALL LOCK PINS

STRENGTH DATA (INCH)

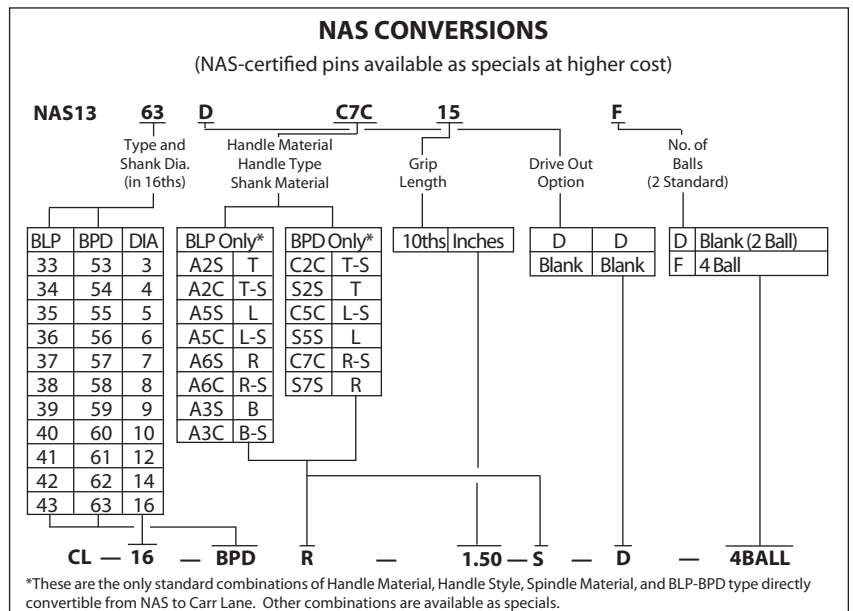
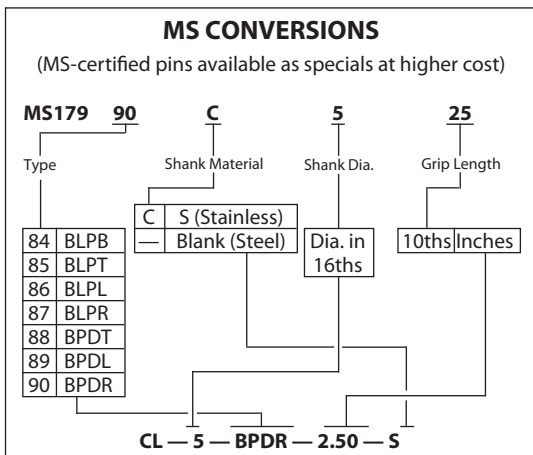
NOM. DIA	ALLOWABLE HOLE DIA		BLP, BPD, ABP APPROXIMATE PULL OUT STRENGTH (LBS)	BLP, BPD, ABP, LFP CALCULATED DOUBLE SHEAR STRENGTH (LBS)***		DEP CALCULATED DOUBLE SHEAR STRENGTH (LBS)***		BLP, BPD APPROX. WEIGHT (OUNCES)		DEP INSERTION/REMOVAL FORCE (LBS)	
	MAX	MIN		STEEL	STAINLESS	STEEL	STAINLESS	HANDLE	PER IN.	MAX	MIN
3/16 (#10)	.194	.190	200	2,100	2,300	2,200	2,000	1.25	.15	7	2
1/4	.254	.250	230	4,000	4,500	4,200	2,200	1.75	.25	7	2
5/16	.317	.313	510	6,000	7,100	6,700	3,500	2.00	.40	14	6
3/8	.379	.375	575	9,200	10,200	9,700	5,000	2.40	.50	14	6
7/16	.443	.438	710	12,300	13,600	13,200	7,000	2.90	.62	17	8
1/2	.505	.500	1160	16,000	18,000	17,500	9,200	3.40	.80	22	10
9/16	.568	.563	1420	20,500	23,000	22,000	11,500	3.65	1.20	22	10
5/8	.630	.625	2070	25,500	28,700	27,500	13,500	4.00	1.35	30	15
3/4	.757	.750	2970	36,700	41,000	39,500	20,500	4.25	2.30	30	15
7/8	.882	.875	3900	50,000	56,200	50,000	28,500	8.31	2.73	35	20
1	1.010	1.000	5400	65,500	73,500	70,700	37,200	9.00	3.47	40	20

STRENGTH DATA (METRIC)

NOM. DIA	ALLOWABLE HOLE DIA		BLP, BPD, ABP APPROXIMATE PULL OUT STRENGTH (LBS)	BLP, BPD, ABP, LFP CALCULATED DOUBLE SHEAR STRENGTH (LBS)***		DEP CALCULATED DOUBLE SHEAR STRENGTH (LBS)***		BLP, BPD APPROX. WEIGHT (OUNCES)		DEP INSERTION/REMOVAL FORCE (LBS)	
	MAX	MIN		STEEL	STAINLESS	STEEL	STAINLESS	HANDLE	PER IN.	MAX	MIN
5mm	.201	.197	230	2,600	3,000	2,500	1,400	1.25	.15	7	2
6mm	.240	.236	230	4,000	4,400	4,000	2,100	1.75	.25	7	2
8mm	.319	.315	510	7,000	8,000	7,200	3,700	2.00	.40	14	6
10mm	.398	.394	710	11,000	12,500	11,400	5,800	2.40	.50	14	6
12mm	.477	.472	1160	16,000	18,000	16,500	8,500	3.40	.80	22	10
16mm	.635	.630	2070	29,000	32,500	29,500	15,400	4.00	1.35	30	15
20mm	.794	.787	2970	45,200	50,900	46,100	21,600	4.25	2.30	30	15

**Pins with grip lengths over 8" (special) are not heat treated, in order to maintain straightness. Double shear strength will be reduced approximately 20-50%. Steel pins over 8" long will have a black oxide finish instead of plating. Pins in larger diameters than listed here are available as specials (may be made from alternate steels).

***2:1 Safety factor

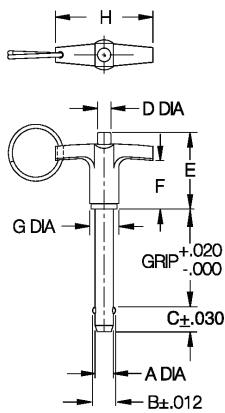


BALL LOCK PINS

1



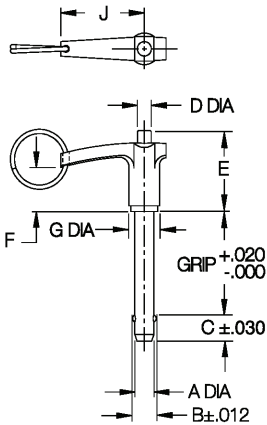
T Handle



BLPT



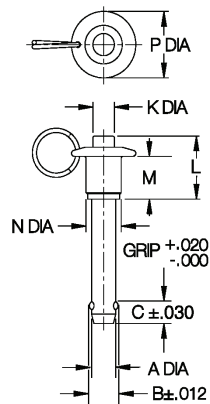
L Handle



BLPL



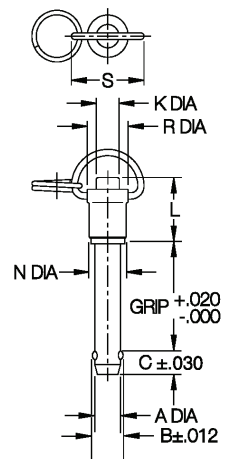
Button Handle



BLPB



Ring Handle



BLPR

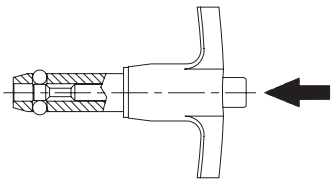
INCH

PART NO.	A DIA		B	C	D DIA	E	F	G DIA	H	J	K DIA	L	M	N DIA	P DIA	R DIA	S
	NOMINAL	ACTUAL															
CL- 3-BLPx-x.xx	3/16 (#10)	.1885/.1870	.219	.245	.22	1.26	.78	.47	1.75	1.50	.22	1.26	.89	.47	.82	.57	1.13
CL- 4-BLPx-x.xx	1/4	.2485/.2470	.290	.275	.22	1.26	.78	.47	1.75	1.50	.22	1.26	.89	.47	.82	.57	1.13
CL- 5-BLPx-x.xx	5/16	.3110/.3095	.375	.315	.27	1.47	.94	.59	2.00	1.62	.27	1.47	1.02	.59	1.00	.69	1.13
CL- 6-BLPx-x.xx	3/8	.3735/.3720	.438	.350	.27	1.47	.94	.59	2.00	1.62	.27	1.47	1.02	.59	1.00	.69	1.13
CL- 7-BLPx-x.xx	7/16	.4360/.4345	.508	.365	.39	1.61	1.06	.75	2.25	1.88	.39	1.61	1.08	.75	1.31	.82	1.33
CL- 8-BLPx-x.xx	1/2	.4985/.4970	.592	.445	.39	1.61	1.06	.75	2.25	1.88	.39	1.61	1.08	.75	1.31	.82	1.33
CL- 9-BLPx-x.xx	9/16	.5610/.5595	.666	.495	.50	1.81	1.06	.93	3.00	2.50	.50	1.81	1.25	.93	1.56	1.01	1.33
CL-10-BLPx-x.xx	5/8	.6235/.6220	.750	.565	.50	1.81	1.06	.93	3.00	2.50	.50	1.81	1.25	.93	1.56	1.01	1.33
CL-12-BLPx-x.xx	3/4	.7485/.7470	.886	.655	.71	2.07	1.25	1.31	3.50	2.90	.71	2.07	1.49	1.31	2.16	1.41	1.90
CL-14-BLPx-x.xx	7/8	.8735/.8720	1.044	.745	.71	2.07	1.25	1.31	3.50	2.90	.71	2.07	1.49	1.31	2.16	1.41	1.90
CL-16-BLPx-x.xx	1	.9985/.9970	1.217	.875	.71	2.07	1.25	1.31	3.50	2.90	.71	2.07	1.49	1.31	2.16	1.41	1.90

METRIC

CLM-5-BLPx-xx	5mm	.1954/.1939	.212	.245	.22	1.26	.78	.47	1.75	1.50	.22	1.26	.89	.47	.82	.57	1.13
CLM-6-BLPx-xx	6mm	.2347/.2332	.278	.275	.22	1.26	.78	.47	1.75	1.50	.22	1.26	.89	.47	.82	.57	1.13
CLM-8-BLPx-xx	8mm	.3135/.3120	.371	.315	.27	1.47	.94	.59	2.00	1.62	.27	1.47	1.02	.59	1.00	.69	1.13
CLM-10-BLPx-xx	10mm	.3922/.3907	.469	.350	.27	1.47	.94	.59	2.00	1.62	.27	1.47	1.02	.59	1.00	.69	1.13
CLM-12-BLPx-xx	12mm	.4709/.4694	.567	.445	.39	1.61	1.06	.75	2.25	1.88	.39	1.61	1.08	.75	1.31	.82	1.33
CLM-16-BLPx-xx	16mm	.6284/.6269	.748	.565	.50	1.81	1.06	.93	3.00	2.50	.50	1.81	1.25	.93	1.56	1.01	1.33
CLM-20-BLPx-xx	20mm	.7859/.7844	.948	.795	.71	2.07	1.25	1.31	3.50	2.90	.71	2.07	1.49	1.31	2.16	1.41	1.90

BALL LOCK PINS



SHANK (STEEL): 4130 STEEL, HEAT TREATED RC 36-40, ZINC PLATED YELLOW CHROMATE;
 SHANK (STAINLESS STEEL): 17-4PH STAINLESS STEEL, HEAT TREATED RC 40 MIN, PASSIVATED;
 SPINDLE: 17-4PH STAINLESS STEEL, PASSIVATED; HANDLE: ALUMINUM ALLOY, BLACK FINISH;
 BUTTON: ALUMINUM ALLOY, ANODIZED; COLLAR: 300-SERIES STAINLESS STEEL, PASSIVATED;
 SPRING & RING: 302 STAINLESS STEEL; BALLS: 440C STAINLESS STEEL

Precision alignment pin with a ground shank. This popular single-acting type is positive locking until released by pushing the button, which moves the center spindle forward to allow the locking balls to retract into a radial groove. Widest range of types and sizes, in steel or stainless steel. Choice of four handle styles: T, L, Button, and Ring. Standard shank diameters from 3/16 to 1" (5 to 20mm in metric). Any grip length up to 6" (150mm in metric) is available as standard, at no extra charge. Available from stock in many standard grip lengths, or quickly made to order in custom lengths and diameters.

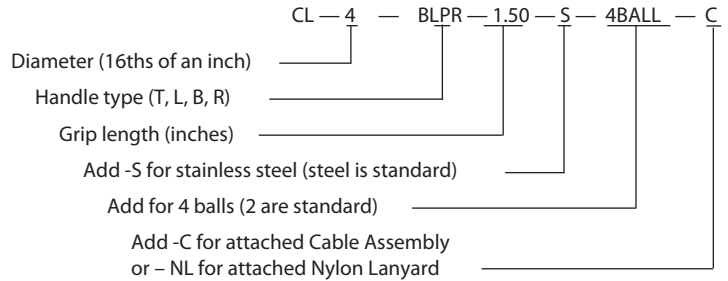


Options

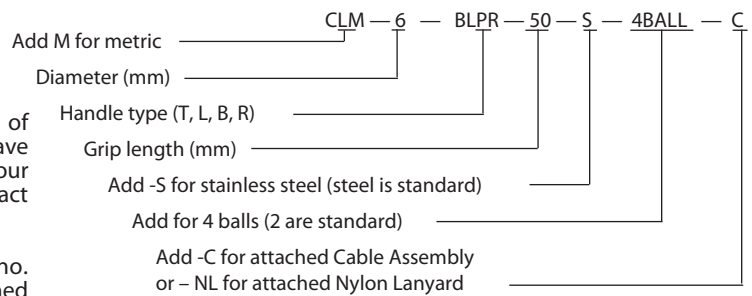
Ball Lock Pins are optionally available in stainless steel instead of alloy steel for greater corrosion resistance. (Note: Both types have aluminum handles, and buttons.) Pins are also available with four balls instead of two, as specials, for more-distributed ball-contact force.

The optional attached Cable Assembly (-C) is 12" long (part no. CL-82-KA-12.0 if ordered separately), while the optional attached Nylon Lanyard (-NL) is 10" long (part no. CL-1-NL-10 if ordered separately). Both have an eyelet at the free end for a #10 or M5 attachment screw.

Ordering Example (INCH):



Ordering Example (Metric):



STOCK GRIP LENGTHS (INCH)

PART NO. CL-X-BLP-x-xx	NOMINAL SHANK DIA	GRIP LENGTH (INCHES)																																
		0.50		0.75		1.00		1.25		1.50		1.75		2.00		2.25		2.50		3.00		3.50		4.00		4.50		5.00		5.50		6.00		
		T	L	B	R	T	L	B	R	T	L	B	R	T	L	B	R	T	L	B	R	T	L	B	R	T	L	B	R	T	L	B	R	
CL-3-BLP ...	3/16(#10)	X	X	X	X	.	.	.	X	X	X	.	.	X	X	X
CL-4-BLP ...	1/4	X	X	X	X	.	X	X	X	X	X	X	X	X	X	X	X	.	.	X	X	X	X	
CL-5-BLP ...	5/16	X	X	X	X	X	X	X	X	X	
CL-6-BLP ...	3/8	.	.	.	X	.	X	X	X	X	X	X	X	X	X	X	X	X	X	
CL-7-BLP ...	7/16	
CL-8-BLP ...	1/2	X	X	X	X	X	X	X	X	X	X	X	X	X	X	
CL-9-BLP ...	9/16	
CL-10-BLP ...	5/8	X	X	
CL-12-BLP ...	3/4	X	X	X	X	X	X	X	
CL-14-BLP ...	7/8	
CL-16-BLP ...	1	

STOCK GRIP LENGTHS (METRIC)

PART NO.	NOMINAL SHANK DIA	GRIP LENGTH (mm)																								
		10		15		20		25		30		40		50		80		100								
		T	L	B	R	T	L	B	R	T	L	B	R	T	L	B	R	T	L	B	R	T	L	B	R	
CLM-5-BLPx-x.xx	5mm
CLM-6-BLPx-x.xx	6mm
CLM-8-BLPx-x.xx	8mm
CLM-10-BLPx-x.xx	10mm
CLM-12-BLPx-x.xx	12mm
CLM-16-BLPx-x.xx	16mm
CLM-20-BLPx-x.xx	20mm

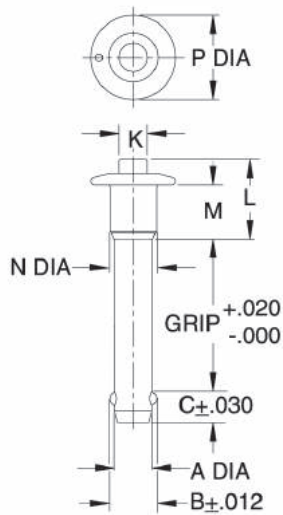
• = STOCKED IN ALLOY STEEL ONLY
 X = STOCKED IN ALLOY AND STAINLESS STEEL

MARINE BALL LOCK PINS

1



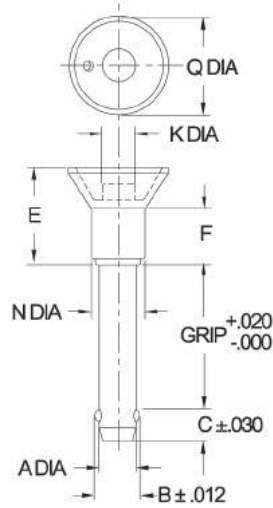
Button Handle (B)



MBPB



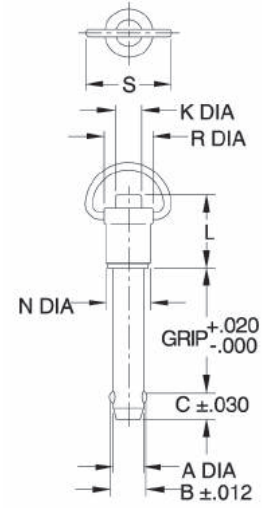
Recessed Button Handle (M)



MBPM



Ring Handle (R)



MBPR

INCH

PART NO.	A DIA		B	C	E	F	K DIA	L	M	N DIA	P DIA	Q DIA	R	S
	NOMINAL	ACTUAL												
CL-3-MBPx-x.xx-S	3/16 (#10)	.1885/.1870	.219	.245	.94	.62	.25	.81	.56	.47	.79	1.00	.52	1.13
CL-4-MBPx-x.xx-S	1/4	.2485/.2470	.290	.275										
CL-5-MBPx-x.xx-S	5/16	.3110/.3095	.375	.315	1.00	.68	.31	.98	.65	.59	1.00	1.00	.64	1.13
CL-6-MBPx-x.xx-S	3/8	.3735/.3720	.438	.350	1.06	.78								
CL-8-MBPx-x.xx-S	1/2	.4985/.4970	.592	.445	1.19	.93	.44	1.20	.80	.75	1.31	1.33	.80	1.33
CL-10-MBPx-x.xx-S	5/8	.6235/.6220	.750	.565	1.50	1.00	.44	1.56	1.00	.93	1.56	1.50	1.01	1.33
CL-12-MBPx-x.xx-S	3/4	.7485/.7470	.886	.655										

METRIC

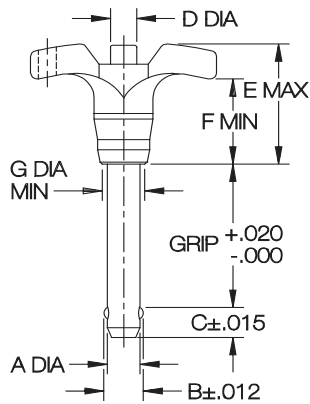
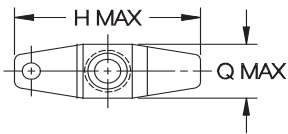
CLM-5-MBPx-xx-S	5mm	.1954/.1939	.212	.245	.94	.62	.22	.81	.56	.47	.82	1.00	.52	1.13
CLM-6-MBPx-xx-S	6mm	.2347/.2332	.278	.275										
CLM-8-MBPx-xx-S	8mm	.3135/.3120	.371	.315	1.00	.68	.39	.98	.65	.59	1.00	1.00	.64	1.13
CLM-10-MBPx-xx-S	10mm	.3922/.3907	.469	.350	1.06	.78								
CLM-12-MBPx-xx-S	12mm	.4709/.4694	.567	.445	1.19	.93	.39	1.20	.80	.75	1.31	1.33	.80	1.33
CLM-16-MBPx-xx-S	16mm	.6283/.6268	.748	.565	1.50	1.00	.50	1.56	1.00	.93	1.56	1.50	1.01	1.33

HEAVY-DUTY BALL LOCK PINS

1



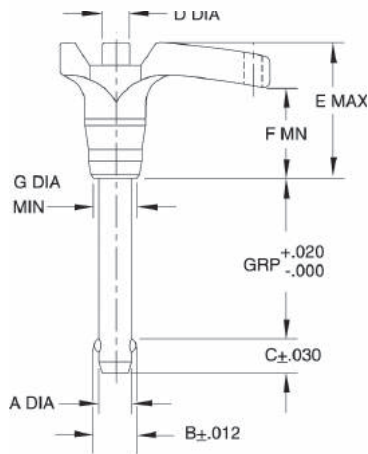
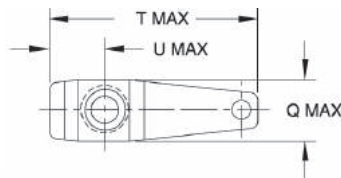
T Handle



BLHT



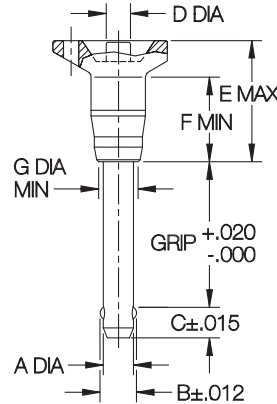
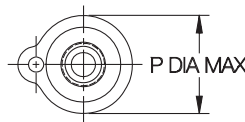
L Handle



BLHL



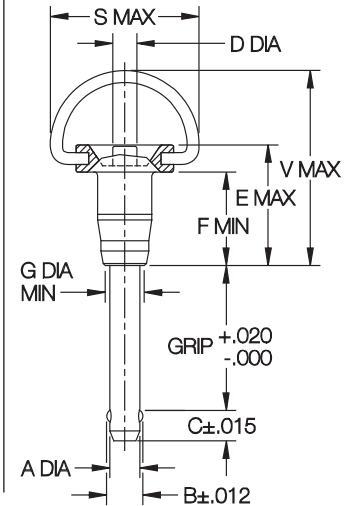
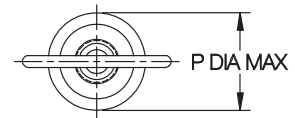
Button Handle



BLHB



Ring Handle



BLHR

INCH

PART NO.	A DIA		B	C	D DIA	E	F	G DIA	H	P DIA	Q	S	T	U	V
	NOMINAL	ACTUAL													
CL-3-BLHx-x.xx-S	3/16 (#10)	.1885/.1870	.220	.245											
CL-4-BLHx-x.xx-S	1/4	.2485/.2470	.289	.275	.25	1.27	.70	.38	1.82	1.07	.63	1.56	1.95	.54	2.13
CL-5-BLHx-x.xx-S	5/16	.3110/.3095	.375	.315											
CL-6-BLHx-x.xx-S	3/8	.3735/.3720	.440	.350											
CL-7-BLHx-x.xx-S	7/16	.4360/.4345	.509	.365	.30	1.60	.85	.51	2.35	1.39	.80	2.00	2.51	.70	2.34
CL-8-BLHx-x.xx-S	1/2	.4985/.4970	.594	.445											

METRIC

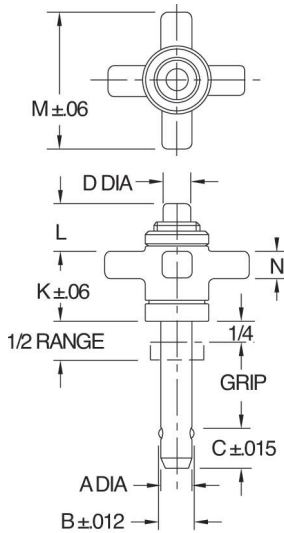
CLM-5-BLHx-xx-S	5mm	.1954/.1939	.210	.245											
CLM-6-BLHx-xx-S	6mm	.2347/.2332	.275	.275	.25	1.27	.70	.38	1.82	1.07	.63	1.56	1.95	.54	2.13
CLM-8-BLHx-xx-S	8mm	.3135/.3120	.371	.315											
CLM-10-BLHx-xx-S	10mm	.3922/.3907	.467	.350	.30	1.60	.85	.51	2.35	1.39	.80	2.00	2.51	.70	2.34
CLM-12-BLHx-xx-S	12mm	.4709/.4694	.569	.445											

ADJUSTABLE BALL LOCK PINS

1



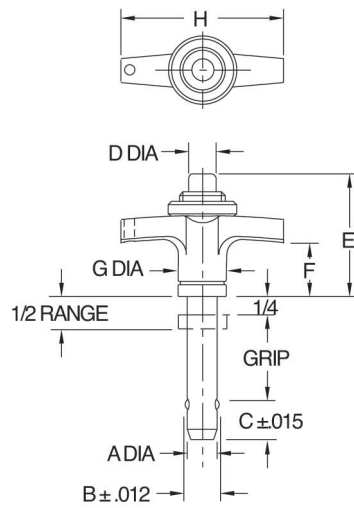
Knob Handle



ABPK



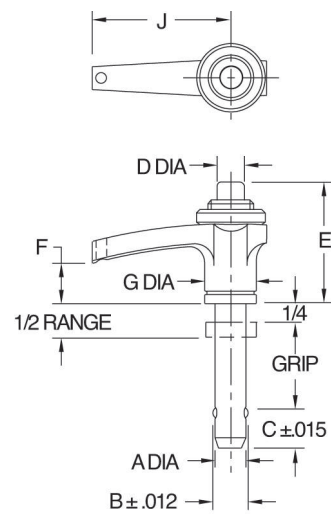
T Handle



ABPT



L Handle



ABPL

INCH

PART NO.	A DIA		B	C	D DIA	E	F	G DIA	H	J	K	L	M	N
	NOMINAL	ACTUAL												
CL-4-ABPx-x.xx-S	1/4	.2485/.2470	.290	.275	.22	1.51	1.06	.75	2.25	1.87	.88	.58	1.75	.38
CL-5-ABPx-x.xx-S	5/16	.3110/.3095	.375	.315	.22	1.45	1.06	.75	2.25	1.87	.88	.58	1.75	.38
CL-6-ABPx-x.xx-S	3/8	.3735/.3720	.438	.350	.27	1.48	1.06	.93	3.00	2.50	.88	.63	2.12	.44
CL-7-ABPx-x.xx-S	7/16	.4360/.4345	.508	.365	.27	1.48	1.06	.93	3.00	2.50	.88	.63	2.12	.44
CL-8-ABPx-x.xx-S	1/2	.4985/.4970	.592	.445	.39	1.55	1.06	.93	3.00	2.50	1.00	.55	2.12	.44
CL-9-ABPx-x.xx-S	9/16	.5610/.5595	.666	.495	.39	1.55	1.06	.93	3.00	2.50	1.00	.55	2.12	.44
CL-10-ABPx-x.xx-S	5/8	.6235/.6220	.750	.565	.50	2.07	1.25	1.31	3.50	2.87	1.25	1.13	2.75	.50
CL-12-ABPx-x.xx-S	3/4	.7485/.7470	.886	.655	.50	2.07	1.25	1.31	3.50	2.87	1.25	1.13	2.75	.50
CL-14-ABPx-x.xx-S	7/8	.8735/.8720	1.044	.745	.71	2.34	1.62	1.50	4.30	4.00	1.62	1.00	4.00	.75
CL-16-ABPx-x.xx-S	1	.9985/.9970	1.217	.875	.71	2.34	1.62	1.50	4.30	4.00	1.62	1.00	4.00	.75

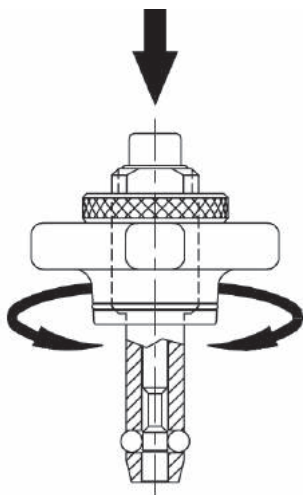
METRIC

CLM-6-ABPx-xx-S	6mm	.2346/.2331	.278	.275	.22	1.51	1.06	.75	2.25	1.87	.88	.65	1.75	.38
CLM-8-ABPx-xx-S	8mm	.3134/.3118	.371	.315	.22	1.45	1.06	.75	2.25	1.87	.88	.75	1.75	.38
CLM-10-ABPx-xx-S	10mm	.3921/.3906	.469	.350	.27	1.48	1.06	.93	3.00	2.50	.88	.72	2.12	.44
CLM-12-ABPx-xx-S	12mm	.4709/.4693	.567	.445	.27	1.48	1.06	.93	3.00	2.50	1.00	.73	2.12	.44
CLM-16-ABPx-xx-S	16mm	.6283/.6268	.748	.565	.50	2.07	1.25	1.31	3.50	2.87	1.25	1.13	2.75	.50
CLM-20-ABPx-xx-S	20mm	.7858/.7843	.948	.795	.50	2.07	1.25	1.31	3.50	2.87	2.00	1.00	2.75	.50

ADJUSTABLE BALL LOCK PINS

SHANK: 17-4PH STAINLESS STEEL, HEAT TREATED RC 40 MIN, PASSIVATED;
 SPINDLE: 17-4PH STAINLESS STEEL, PASSIVATED;
 T & L HANDLE: ALUMINUM ALLOY, BLACK FINISH; KNOB HANDLE: 319 ALUMINUM ALLOY;
 HEAD & LOCKNUT: 300-SERIES STAINLESS STEEL, PASSIVATED; BUTTON: ALUMINUM ALLOY, ANODIZED;
 SPRING: 302 STAINLESS STEEL; BALLS: 440C STAINLESS STEEL

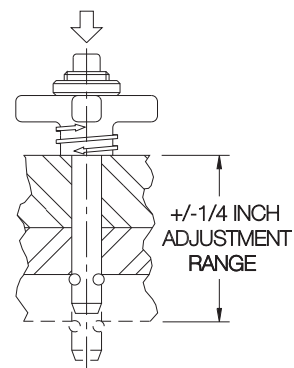
1



These Ball Lock Pins have an adjustable grip length. They can be used for clamping, or simply to provide a variable grip length. The threaded handle turns to provide a +/- 1/4" clamping range or adjustment range. When used just for variable grip length (not for clamping), the handle can be secured with the supplied knurled locknut. These single-acting pins are manufactured with four balls as standard, instead of two, for more-distributed ball-pullout force in clamping applications. Available in stainless steel only.

Choice of three handle styles: Knob, T, and L. Standard shank diameters from 1/4 to 1" (6 to 20mm in metric), each in a choice of many standard grip lengths. Available from stock only in the standard grip lengths listed below. Other grip lengths are available as specials (extra charge and longer delivery time).

To order pins with a standard Cable Assembly attached (#2 cable size, 12" long, with a terminal at the free end for a #10 or M5 attachment screw), add "-C" to the part number:
 CL-4-ABPK-1.50-S-C



Grip length adjusts +/- 1/4" from nominal.

Adjustable Ball Lock Pins can be used for clamping, or simply to provide a variable grip length.



Four balls are standard on Adjustable Ball Lock Pins, to provide more distributed ball-pullout force in clamping applications.

STOCK GRIP LENGTHS (INCH)

PART NO.	NOMINAL SHANK DIA	GRIP LENGTH (INCHES)																											
		0.50		0.75		1.00		1.25		1.50		1.75		2.00		2.50		3.00		3.50		4.00		4.50		5.00		6.00	
		K	T	L	K	T	L	K	T	L	K	T	L	K	T	L	K	T	L	K	T	L	K	T	L	K	T	L	K
CL-4-ABPx-x.xx-S	1/4	•	•	•	•	•	•	•	•	•	•	•	•	•	•	•	•	•	•	•	•	•	•	•	•	•	•	•	•
CL-5-ABPx-x.xx-S	5/16	•	•	•	•	•	•	•	•	•	•	•	•	•	•	•	•	•	•	•	•	•	•	•	•	•	•	•	•
CL-6-ABPx-x.xx-S	3/8	•	•	•	•	•	•	•	•	•	•	•	•	•	•	•	•	•	•	•	•	•	•	•	•	•	•	•	•
CL-8-ABPx-x.xx-S	1/2			•	•	•	•	•	•	•	•	•	•	•	•	•	•	•	•	•	•	•	•	•	•	•	•	•	•
CL-9-ABPx-x.xx-S	9/16																												
CL-10-ABPx-x.xx-S	5/8					•	•	•	•	•	•	•	•	•	•	•	•	•	•	•	•	•	•	•	•	•	•	•	•
CL-12-ABPx-x.xx-S	3/4					•	•	•	•	•	•	•	•	•	•	•	•	•	•	•	•	•	•	•	•	•	•	•	•
CL-14-ABPx-x.xx-S	7/8																												
CL-16-ABPx-x.xx-S	1																												

STOCK GRIP LENGTHS (METRIC)

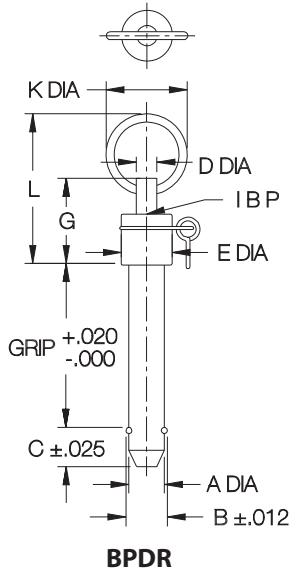
PART NO.	NOMINAL SHANK DIA	GRIP LENGTH (mm)																											
		20			30			40			50																		
		K	T	L	K	T	L	K	T	L	K	T	L																
CLM-6-ABPx-x.xx-S	6mm	•	•	•	•	•	•	•	•	•	•	•	•	•	•	•	•	•	•	•	•	•	•	•	•	•	•	•	•
CLM-8-ABPx-x.xx-S	8mm	•	•	•	•	•	•	•	•	•	•	•	•	•	•	•	•	•	•	•	•	•	•	•	•	•	•	•	•
CLM-10-ABPx-x.xx-S	10mm			•	•	•	•	•	•	•	•	•	•	•	•	•	•	•	•	•	•	•	•	•	•	•	•	•	•

DOUBLE-ACTING BALL LOCK PINS

1



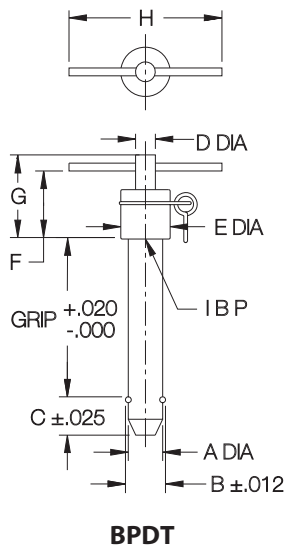
Ring Handle



BPDR



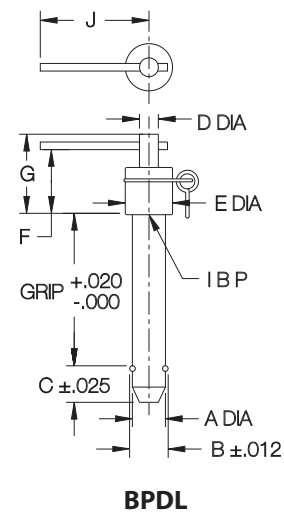
T Handle



BPDT



L Handle



BPDL

INCH

PART NO.	A DIA		B	C	D DIA	E DIA	F	G	H	J	K DIA	L	M	
	NOMINAL	ACTUAL												
CL-3-BPDx-x.xx-S	3/16 (#10)	.1885/.1870	.219	.385	.19	7/16	.86	1.02	1-1/2	1-1/4	1	1.86	.12	
CL-4-BPDx-x.xx-S	1/4	.2485/.2470	.290	.415	.25	1/2							.12	
CL-5-BPDx-x.xx-S	5/16	.3110/.3095	.375	.485	.31	5/8	.14							
CL-6-BPDx-x.xx-S	3/8	.3735/.3720	.438	.565	.43	.86	1.06	1-15/16	1-7/16	1-5/16		1.97	.15	
CL-7-BPDx-x.xx-S	7/16	.4360/.4345	.508	.635	.56								1-19/32	.16
CL-8-BPDx-x.xx-S	1/2	.4985/.4970	.592	.725	.43	11/16	.18							
CL-9-BPDx-x.xx-S	9/16	.5610/.5595	.666	.886	.56	13/16	1.14	1.44	2-3/16	1-19/32	1-5/16	2.45	.26	
CL-10-BPDx-x.xx-S	5/8	.6235/.6220	.750	.765	.43	15/16	1.14	1.43	2-7/16	1-3/4			2.44	.29
CL-12-BPDx-x.xx-S	3/4	.7485/.7470	.886	.925	.56	1-1/8	1.29	1.59	2-25/32	2-3/16			2.62	.28
CL-14-BPDx-x.xx-S	7/8	.8735/.8720	1.044	1.075	.56	1-1/4	1.47	1.77			2.79	.30		
CL-16-BPDx-x.xx-S	1	.9985/.9970	1.217											

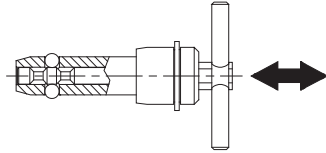
METRIC

CLM-5-BPDx-xx-S	5mm	.1954/.1939	.212	.385	.19	7/16	.86	1.02	1-1/2	1-1/4	1	1.86	.12	
CLM-6-BPDx-xx-S	6mm	.2347/.2332	.278	.415	.25	1/2							.12	
CLM-8-BPDx-xx-S	8mm	.3135/.3120	.371	.485	.31	5/8	.14							
CLM-10-BPDx-xx-S	10mm	.3922/.3907	.469	.565	.43	.86	1.06	1-15/16	1-7/16	1-5/16		1.97	.15	
CLM-12-BPDx-xx-S	12mm	.4709/.4694	.567	.635	.56								11/16	.18
CLM-16-BPDx-xx-S	16mm	.6284/.6269	.748	.725	.43	13/16	1.14	1.44	2-3/16				1-19/32	1-5/16
CLM-20-BPDx-xx-S	20mm	.7859/.7844	.948	.925	.56	1-1/8	1.29	1.59	2-7/16	1-3/4	2.62	.28		
						1-1/4	1.47	1.77	2-25/32	2-3/16				

DOUBLE-ACTING BALL LOCK PINS

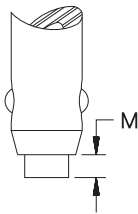
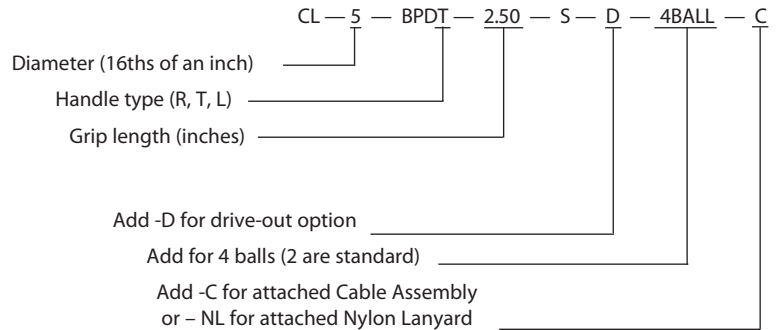
SHANK: 17-4PH STAINLESS STEEL, HEAT TREATED RC 40 MIN, PASSIVATED
 SPINDLE: 17-4PH STAINLESS STEEL, PASSIVATED
 HEAD, BUTTON & HANDLE: 300-SERIES STAINLESS STEEL, PASSIVATED
 SPRING & RING: 302 STAINLESS STEEL
 BALLS: 440C STAINLESS STEEL

1



Similar to a single-acting pin, except the center spindle has two grooves instead of one, to release the ball by either pushing or pulling. Pushing on the handle releases the balls and inserts the pin in one motion. Pulling on the handle releases the balls and removes the pin in one motion. Available in steel or stainless steel. Choice of three handle styles: T, L, and Ring. Standard shank diameters from 3/16 to 1" (5 to 20mm in metric). Any grip length up to 6" (150mm in metric) is available as a standard, at no extra charge. Available in stainless steel only.

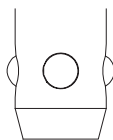
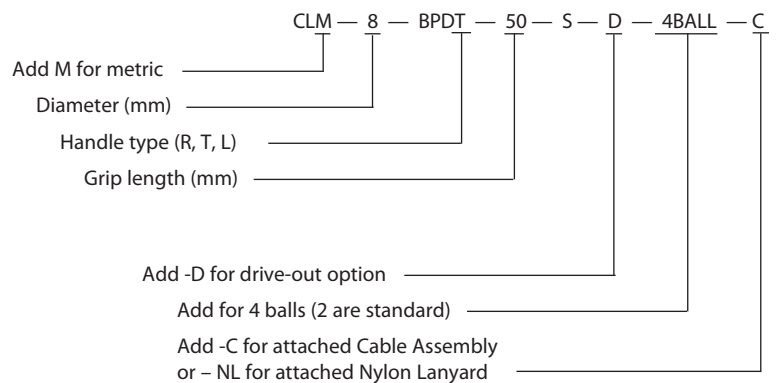
Ordering Example (INCH):



Drive-Out Option

Double-acting Ball Lock Pins are available with a "drive-out" option, where the center spindle extends slightly beyond the shank end (see M dimension). This allows removing a pin under slight shear load by tapping the shank end with a hammer (releasing the balls at the same time).

Ordering Example (METRIC):



4-Ball Option

Ball Lock Pins are optionally available in stainless steel instead of alloy steel for greater corrosion resistance. Pins are also available with four balls instead of two, as specials, for additional pull-out strength and more distributed ball-contact force.



Optional Cable

The optional attached Cable Assembly (-C) is 12" long (part no. CL-82-KA-12.0 if ordered separately), while the optional attached Nylon Lanyard (-NL) is 10" long (part no. CL-1-NL-10 if ordered separately). Both have an eyelet at the free end for a #10 or M5 attachment screw.

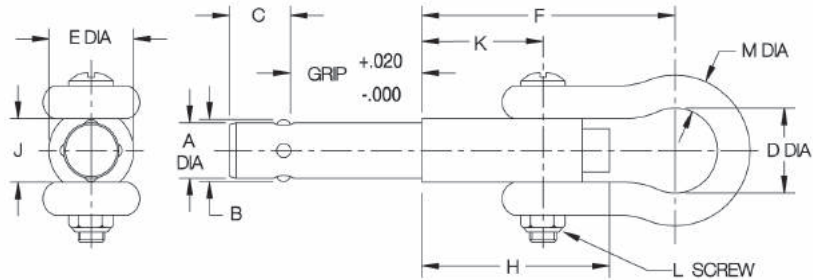
LIFTING PINS

SHANK: 17-4PH STAINLESS STEEL, HEAT TREATED RC 40 MIN; SPINDLE: 17-4PH STAINLESS STEEL;
 SHACKLE: FORGED STEEL PER RR-C271, ZINC PLATED CLEAR CHROMATE; BUTTON: 303 STAINLESS STEEL;
 CAP SCREW, NUT, AND BUSHING: 300-SERIES STAINLESS STEEL; SPRING: 302 STAINLESS STEEL; BALLS: 440C STAINLESS STEEL



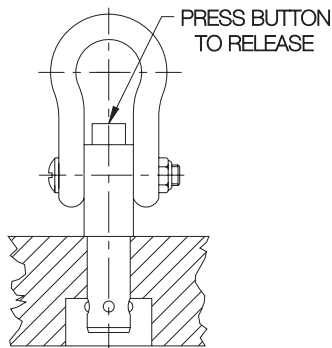
Stainless Steel

A single-acting ball lock pin with a solid, one-piece body and four balls for high tension loads. Sturdy forged shackle for heavy lifting. Shank diameters from 1/4 to 1" are available, in several standard lengths. **INFO+**: See safety precautions on page 74.

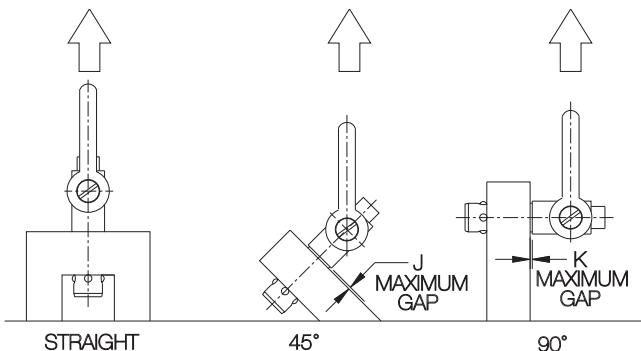


STAINLESS STEEL (INCH)

PART NO.	A DIA	GRIP	B	C	D DIA	E DIA	F	H	J	K	L	M DIA
CL-4-LFP-0.25-S	1/4 .2470/.2485	0.25	.287	.333	9/16	9/16	2.45	1.50	1/2	7/8	M6	3/16
CL-4-LFP-0.50-S		0.50										
CL-4-LFP-1.00-S		1.00										
CL-4-LFP-1.50-S		1.50										
CL-4-LFP-2.00-S		2.00										
CL-6-LFP-0.25-S	3/8 .3720/.3735	0.25	.438	.425	11/16	3/4	2.85	1.60	9/16	15/16	5/16-18	1/4
CL-6-LFP-0.50-S		0.50										
CL-6-LFP-1.00-S		1.00										
CL-6-LFP-1.50-S		1.50										
CL-6-LFP-2.00-S		2.00										
CL-6-LFP-3.00-S	3.00											
CL-8-LFP-0.50-S	1/2 .4970/.4985	0.50	.593	.519	13/16	13/16	3.15	1.80	11/16	1	3/8-16	5/16
CL-8-LFP-1.00-S		1.00										
CL-8-LFP-1.50-S		1.50										
CL-8-LFP-2.00-S		2.00										
CL-8-LFP-3.00-S		3.00										
CL-12-LFP-0.50-S	3/4 .7470/.7485	0.50	.887	.707	1-1/8	1-1/8	4.05	2.20	15/16	1-1/4	1/2-13	7/16
CL-12-LFP-1.00-S		1.00										
CL-12-LFP-2.00-S		2.00										
CL-12-LFP-3.00-S		3.00										
CL-16-LFP-0.50-S		1 .9970/.9985										
CL-16-LFP-1.00-S	1.00											
CL-16-LFP-2.00-S	2.00											



TYPICAL INSTALLATION



TECHNICAL DATA

PART NO.	LOAD CAPACITY (LBS)*			J (45°)	K (90°)	RECOMMENDED HOLE DIA	
	STRAIGHT	45°	90°			MAX	MIN
CL-4-LFP-x.xx-S	210	170	120	.031	.037	.254	.250
CL-6-LFP-x.xx-S	520	520	350	.036	.042	.379	.375
CL-8-LFP-x.xx-S	980	900	770			.505	.500
CL-12-LFP-x.xx-S	2200	2200	2000	.041	.047	.757	.750
CL-16-LFP-x.xx-S	2900	2800	2500	.046	.052	1.010	1.000

* 5:1 Safety factor, based on the average failing load of test specimens. See above for allowable installation-hole tolerances. Straight pull capacity assumes pin is installed in a hardened tool steel plate or bushing. Use standard lifting hook so that button is not depressed while lifting.

LIFTING PINS

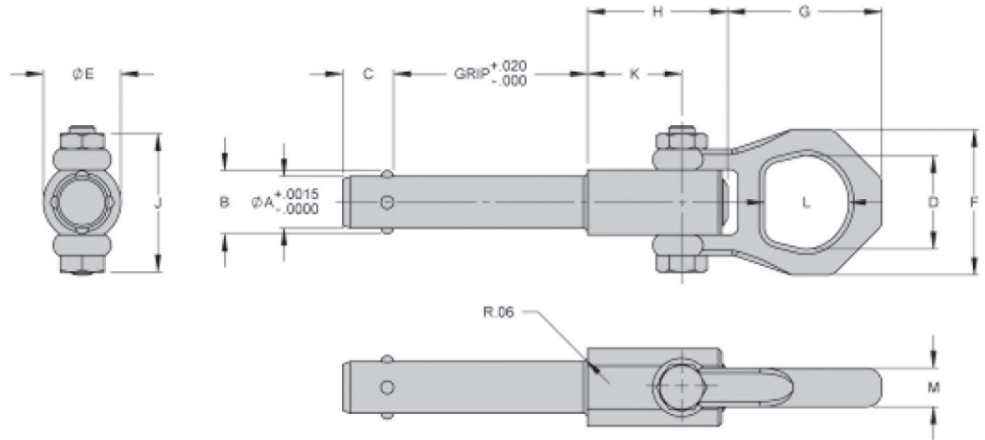
SHANK: ALLOY STEEL, HEAT TREATED, MANGANESE PHOSPHATE FINISH; SPINDLE: ALLOY STEEL, MANGANESE PHOSPHATE FINISH;
 SHACKLE: ALLOY STEEL, HEAT TREATED, MANGANESE PHOSPHATE FINISH; BUTTON: ALUMINUM ALLOY, RED ANODIZED;
 CAP SCREW, NUT, AND BUSHING: STEEL, ZINC PLATED CLEAR CHROMATE; SPRING: STAINLESS STEEL; BALLS: 440C STAINLESS STEEL

1

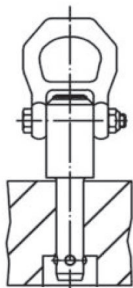


Alloy Steel

A single-acting ball lock pin with a solid, one-piece body and four balls for high tension loads. Positive locking until released by pushing the button. Sturdy forged shackle for heavy lifting. Manganese phosphate finish provides excellent lubricity and corrosion resistance. **INFO+**: See safety precautions on page 74.



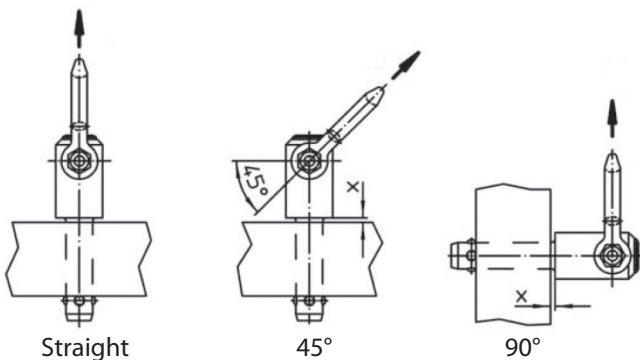
ALLOY STEEL (INCH)



PART NO.	A DIA		GRIP LENGTH	B	C	D	E DIA	F	G	H	J	K	L	M
	NOMINAL	ACTUAL												
CL-4-LFPM-0.50	1/4	.2470/.2485	0.50	.29	.33									
CL-4-LFPM-1.00			1.00											
CL-4-LFPM-1.50			1.50											
CL-6-LFPM-0.50	3/8	.3720/.3735	0.50	.44	.40	1.18	0.85	1.93	1.94	1.50	2.06	1.01	1.06	0.37
CL-6-LFPM-1.00			1.00											
CL-6-LFPM-1.50			1.50											
CL-6-LFPM-2.00			2.00											
CL-8-LFPM-1.50			1.50											
CL-8-LFPM-2.00			2.00											
CL-8-LFPM-3.00	3.00													

TECHNICAL DATA

PART NO.	LOAD CAPACITY (LBS)*			X		RECOMMENDED HOLE DIA	
	STRAIGHT	45°	90°	MIN	MAX	MAX	MIN
CL-4-LFPM-X.XX	210	170	110	.06	.20	.254	.250
CL-6-LFPM-X.XX	600	540	470		.39	.379	.375
CL-8-LFPM-X.XX	790	630	630		.59	.505	.500

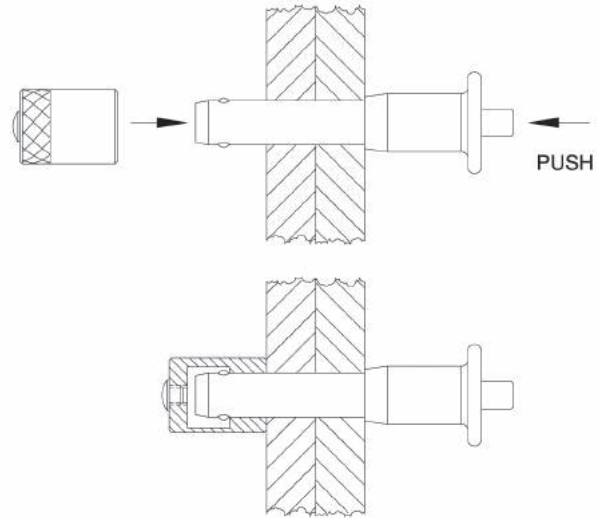


* 5:1 Safety factor, based on the average failing load of test specimens. See above for allowable installation-hole tolerances. Straight pull capacity assumes pin is installed in a hardened tool steel plate or bushing. Use standard lifting hook so that button is not depressed while lifting.

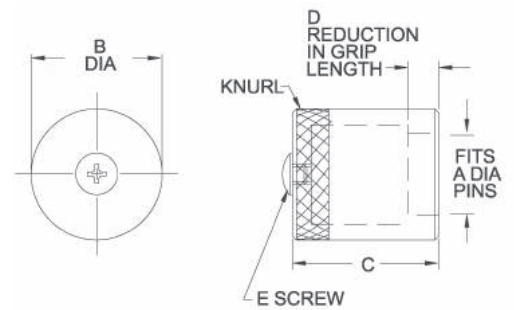
BALL LOCK RECEIVER CAPS

300+ SERIES STAINLESS STEEL, PASSIVATED

1



Receiver Caps are ideal for securing Ball Lock Pins used in clevis applications, especially when the through-hole has excess clearance. The Receiver Cap's inside diameter fits the Ball Lock Pin exactly, and is stepped to provide a perfect locking surface for the balls. Available to fit Ball Lock Pin diameters from 3/16 to 1" (5 to 20mm in metric). Made of 300-series stainless steel. Please note, using a Receiver Cap reduces the Ball Lock Pin's effective grip length slightly (see D dimension).



INCH

PART NO.	A DIA	B DIA	C	D	E
CL-3-BLR-S	3/16 (#10)	.50	.72	1/4	#10-32
CL-4-BLR-S	1/4	.50	.81		
CL-5-BLR-S	5/16	.63	.81		
CL-6-BLR-S	3/8	.75	1.16	1/2	
CL-7-BLR-S	7/16	.75	1.16		
CL-8-BLR-S	1/2	.88	1.25		
CL-9-BLR-S	9/16	.88	1.25		
CL-10-BLR-S	5/8	1.00	1.31		
CL-12-BLR-S	3/5	1.25	1.45		
CL-14-BLR-S	7/8	1.50	1.48		
CL-16-BLR-S	1	1.50	1.69		

METRIC

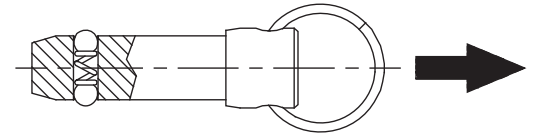
PART NO.	A DIA	B DIA	C	D	E
CLM-5-BLR-S	5mm	.50	.93	.39 (10mm)	M5
CLM-6-BLR-S	6mm	.50	.95		
CLM-8-BLR-S	8mm	.63	1.00		
CLM-10-BLR-S	10mm	.75	1.03		
CLM-12-BLR-S	12mm	.88	1.13		
CLM-16-BLR-S	16mm	1.00	1.25		
CLM-20-BLR-S	20mm	1.25	1.50		



Receiver Caps are tapped to allow fastening the eyelet end of a standard Ball Lock Pin Cable Assembly (12" long) or Nylon Lanyard (10" long), and include a fastening screw.

DETENT PINS

SHANK & HEAD: 300-SERIES STAINLESS STEEL, PASSIVATED; SPRING & RING: 302 STAINLESS STEEL; BALLS: 440C STAINLESS STEEL



1

Solid alignment pin with spring-loaded locking balls (not positive locking like a Ball Lock Pin). Simply push pin to insert, and pull to remove. Available in steel or stainless steel. Standard shank diameters from 3/16 to 1" (6 to 20mm in metric). Note: 3/16-diameter pins have one ball, instead of two, due to their small size. Any grip length up to 6" (150mm in metric) is available as a standard, at no extra charge. Available from stock in many standard grip lengths, or quickly made to order in custom lengths and diameters.

Optional Cable

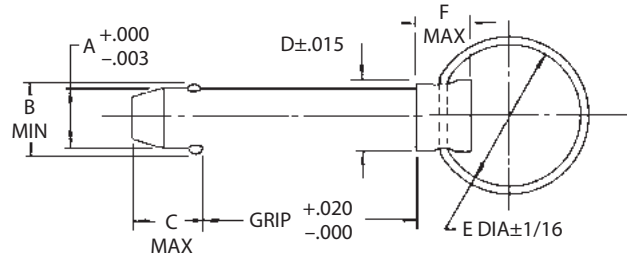
The optional attached Cable Assembly (-C) is 12" long (part no. CL-82-KA-12.0 if ordered separately), while the optional attached Nylon Lanyard (-NL) is 10" long (part no. CL-1-NL-10 if ordered separately). Both have an eyelet at the free end for a #10 or M5 attachment screw.

Ordering Example (INCH):

CL - 4 - DEP - 1.50 - S - C
 Diameter (16ths of an inch) ————
 Grip length (inches) ————
 Add -C for attached Cable Assembly or
 -NL for attached Nylon Lanyard

Ordering Example (Metric):

CLM - 6 - DEP - 50 - S - C
 Add M for metric ————
 Diameter (mm) ————
 Grip length (mm) ————
 Add -C for attached Cable Assembly or
 -NL for attached Nylon Lanyard



INCH

PART NO.	A DIA		B	C	D DIA	E DIA	F	STOCK GRIP LENGTH (INCHES)													
	NOMINAL	ACTUAL						0.50	0.75	1.00	1.25	1.50	1.75	2.00	2.25	2.50	3.00	3.50	4.00		
CL-3-DEP-x.xx-S	3/16(#10)	.1880	.217	.250	.375	1.00	.562	•	•	•	•	•									
CL-4-DEP-x.xx-S	1/4	.2480	.280	.344				•	•	•	•	•	•	•	•	•	•				
CL-5-DEP-x.xx-S	5/16	.3105	.360	.359	.438	1.00	.562					•		•							
CL-6-DEP-x.xx-S	3/8	.3730	.430	.390	.500			•	•	•	•	•	•	•	•	•	•				
CL-8-DEP-x.xx-S	1/2	.4980	.570	.516	.625	1.50	.562					•		•							
CL-10-DEP-x.xx-S	5/8	.6230	.720	.672	.750			•	•	•	•	•	•	•	•	•	•	•			
CL-12-DEP-x.xx-S	3/4	.7480	.860	.750	.875	2.00	.562														
CL-16-DEP-x.xx-S	1	.9980	1.16	.984	1.125																

METRIC

PART NO.	A DIA		B	C	D DIA	E DIA	F	STOCK GRIP LENGTH (mm)						
	NOMINAL	ACTUAL						15	20	25	30	40	50	
CLM-6-DEP-x.xx-S	6mm	.2342	.266	.344	.375	1.00	.562	•	•			•	•	
CLM-8-DEP-x.xx-S	8mm	.3130	.363	.359	.438			•	•	•	•	•	•	•
CLM-10-DEP-x.xx-S	10mm	.3917	.451	.390	.500			•	•	•	•	•	•	
CLM-12-DEP-x.xx-S	12mm	.4704	.540	.516	.563							•	•	

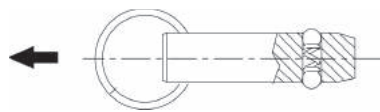
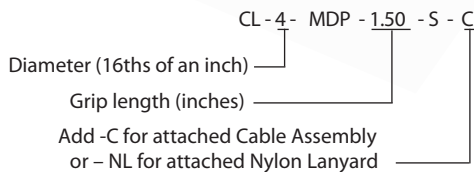
MARINE DETENT PINS

SHANK: 316 STAINLESS STEEL
 RING: 316 OR 300-SERIES STAINLESS STEEL
 SPRING & BALLS: 316 STAINLESS STEEL

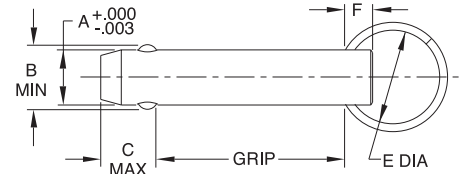
1



Ordering Example (INCH):



Marine Detent Pins are made of 316 stainless steel for extra corrosion resistance. Economical quick-release alignment pin with a solid shank and spring-loaded locking balls. This type of Detent Pin has a ring instead of a solid shoulder, for applications where exact grip length is not important. Locking balls hold the pin in place by spring force (not positive locking like a Ball Lock Pin). Simply push the pin to insert, and pull to remove. Available in standard pin diameters from 3/16 to 1/2", in stainless steel only. Note: 3/16" pins have only one locking ball instead of two due to their small size. Available from stock in many standard grip lengths, with other grip lengths available as specials. Optionally available with an attached Cable Assembly (-C) or an attached Nylon Lanyard (-NL).



DIMENSIONS (INCH)

PART NO.	A DIA		B	C	E DIA	F DIA
	NOMINAL	ACTUAL				
CL-3-MDP-x.xx-S	3/16 (#10)	.1880	.200	.329	1.00	.25
CL-4-MDP-x.xx-S	1/4	.2480	.280	.344		
CL-5-MDP-x.xx-S	5/16	.3105	.360	.359		
CL-6-MDP-x.xx-S	3/8	.3730	.430	.390		
CL-8-MDP-x.xx-S	1/2	.4980	.570	.516		

STANDARD STOCK GRIP LENGTHS (INCH)

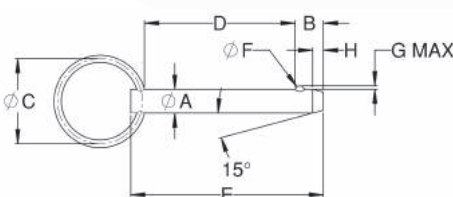
PART NO.	NOMINAL SHANK DIA	GRIP LENGTH (INCHES)											
		0.50	0.75	1.00	1.25	1.50	1.75	2.00	2.25	2.50	3.00	3.50	4.00
CL-3-MDP-x.xx-S	3/16 (#10)	X	X	X	X	X	X	X		X			
CL-4-MDP-x.xx-S	1/4	X	X	X	X	X	X	X	X	X			
CL-5-MDP-x.xx-S	5/16		X	X	X	X	X	X		X	X	X	X
CL-6-MDP-x.xx-S	3/8		X	X	X	X	X	X	X	X	X	X	X
CL-8-MDP-x.xx-S	1/2			X	X	X	X	X		X	X	X	X

ECONOMY DETENT PINS

SHANK: MILD STEEL, ZINC PLATED CLEAR CHROMATE
 RING: STEEL SPRING WIRE, ZINC PLATED CLEAR CHROMATE
 SPRING & BALLS: STEEL



Economical quick-release alignment pin with a solid steel shank and one spring-loaded locking ball. This type of Detent Pin has a ring instead of a solid shoulder, for applications where exact grip length is not important. Locking ball holds the pin in place by spring force (not positive locking like a Ball Lock Pin). Simply push the pin to insert, and pull to remove. Available in standard pin diameters 3/16", 1/4", 5/16", and 1/2", in the standard grip lengths listed below. Optionally available with an attached Cable Assembly (-C) or an attached Nylon Lanyard (-NL). For other diameters and grip lengths, see above for Marine Detent Pins (the stainless steel version of this pin).



INCH

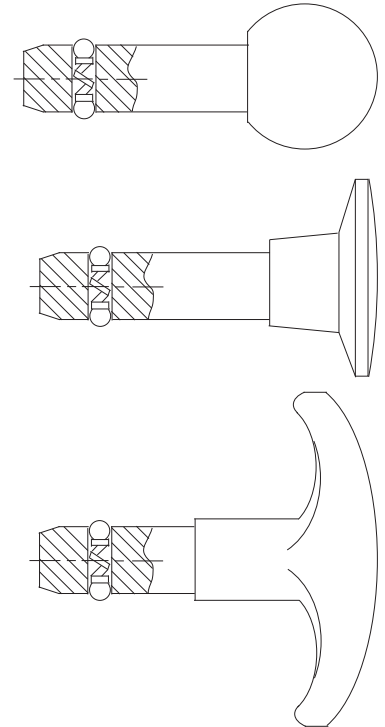
PART NO.	A DIA		B	C DIA	D GRIP LENGTH	E	F DIA	G	H
	NOMINAL	ACTUAL							
CL-3-EDP-1.00	3/16	.1855 / .1880	.23	7/8	1.00	1.37	3/32	.028	.08
CL-4-EDP-1.25	1/4	.2480 / 2505	.28	1	1.25	1.67	1/8	.038	.09
CL-4-EDP-1.50					1.50	1.92			
CL-5-EDP-1.00	5/16	.3105 / .3130	.34	1	1.00	1.53	5/32	.047	.13
CL-8-EDP-1.50	1/2	.4980 / .5005	.52	1-1/4	1.50	2.25	1/4	.075	.17
CL-8-EDP-2.00					2.00	2.75			

THREADED DETENT PINS

SHANK: 300-SERIES STAINLESS STEEL
 SPRING: 17-7PH OR 302 STAINLESS STEEL
 BALLS: 440C STAINLESS STEEL



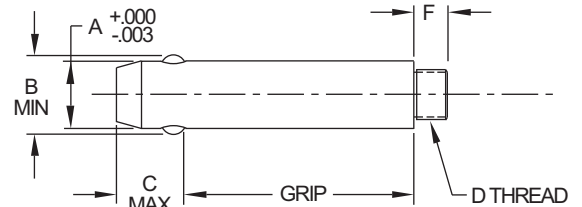
Threaded Detent Pins are solid alignment pins with a ground shank and a threaded end for a knob handle. Two locking balls hold the pin in place by spring force. Simply push to insert, and pull to remove. The threaded end accepts virtually any type of knob handle (order separately — available in steel, stainless steel, and several different plastics). Knob handles can be permanently secured with thread-locking adhesive if desired. Threaded Detent Pins are available in stainless steel only. Standard shank diameters from 3/16 to 1/2" (6 to 10mm in metric), each in a choice of many standard grip lengths. Note: 3/16-diameter pins have only one locking ball instead of two due to their small size. Available from stock only in the standard grip lengths listed (other grip lengths available as specials).



INCH

PART NO.	A DIA		GRIP LENGTH	B	C	D	F
	NOMINAL	ACTUAL					
CL-3-TDP-0.50-S	3/16(#10)	.1880	.50	.200	.250	#8-32	1/4
CL-3-TDP-0.75-S			.75				
CL-3-TDP-1.00-S			1.00				
CL-3-TDP-1.25-S			1.25				
CL-3-TDP-1.50-S			1.50				
CL-3-TDP-1.75-S			1.75				
CL-3-TDP-2.00-S	2.00	1/4					
CL-4-TDP-0.50-S	1/4		.2480	0.50	.280	.344	#10-32
CL-4-TDP-0.75-S				0.75			
CL-4-TDP-1.00-S				1.00			
CL-4-TDP-1.25-S				1.25			
CL-4-TDP-1.50-S				1.50			
CL-4-TDP-1.75-S		1.75					
CL-4-TDP-2.00-S	2.00	3/8					
CL-4-TDP-2.50-S	2.50		5/16	.3105	.360	.359	1/4-20
CL-4-TDP-3.00-S	3.00						
CL-5-TDP-0.75-S	0.75						
CL-5-TDP-1.00-S	1.00						
CL-5-TDP-1.25-S	1.25						
CL-5-TDP-1.50-S	1.50						
CL-5-TDP-1.75-S	1.75	3/8					
CL-5-TDP-2.00-S	2.00		3/8				
CL-5-TDP-2.50-S	2.50						
CL-5-TDP-3.00-S	3.00						
CL-6-TDP-0.75-S	0.75			3/8	.430	.390	1/4-20
CL-6-TDP-1.00-S	1.00						
CL-6-TDP-1.25-S	1.25						
CL-6-TDP-1.50-S	1.50						
CL-6-TDP-1.75-S	1.75						
CL-6-TDP-2.00-S	2.00						
CL-6-TDP-2.50-S	2.50	1/2					
CL-6-TDP-3.00-S	3.00		1/2				
CL-6-TDP-3.50-S	3.50						
CL-6-TDP-4.00-S	4.00						
CL-8-TDP-1.00-S	1.00						
CL-8-TDP-1.50-S	1.50						
CL-8-TDP-2.00-S	2.00						
CL-8-TDP-2.50-S	2.50	1/2	.570	.516	3/8-16		
CL-8-TDP-3.00-S	3.00						
CL-8-TDP-3.50-S	3.50						
CL-8-TDP-4.00-S	4.00						

INFO+: For a wide selection of knob handles to fit these Threaded Detent Pins, see pages 152-159.



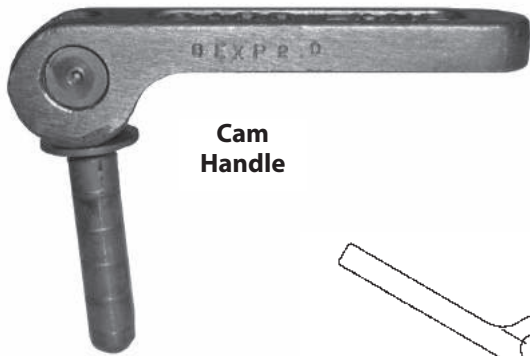
METRIC

PART NO.	A DIA		GRIP LENGTH	B	C	D	F
	NOMINAL	ACTUAL					
CLM-6-TDP-15-S	6mm	.2342	15mm	.266	.344	M5	.24
CLM-6-TDP-20-S			20mm				
CLM-6-TDP-25-S			25mm				
CLM-6-TDP-30-S			30mm				
CLM-6-TDP-40-S			40mm				
CLM-6-TDP-50-S	50mm	8mm	.3130	.363	.359	M6	.39
CLM-8-TDP-20-S	20mm						
CLM-8-TDP-25-S	25mm						
CLM-8-TDP-30-S	30mm						
CLM-8-TDP-40-S	40mm						
CLM-8-TDP-50-S	50mm	10mm	.3917	.451	.390	M8	.39
CLM-10-TDP-20-S	20mm						
CLM-10-TDP-25-S	25mm						
CLM-10-TDP-30-S	30mm						
CLM-10-TDP-40-S	40mm						
CLM-10-TDP-50-S	50mm						

EXPANDING PINS

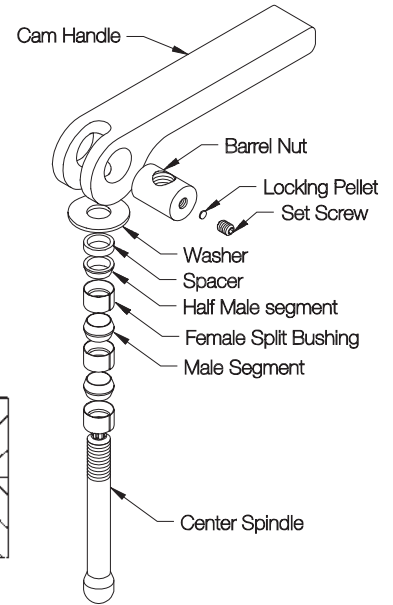
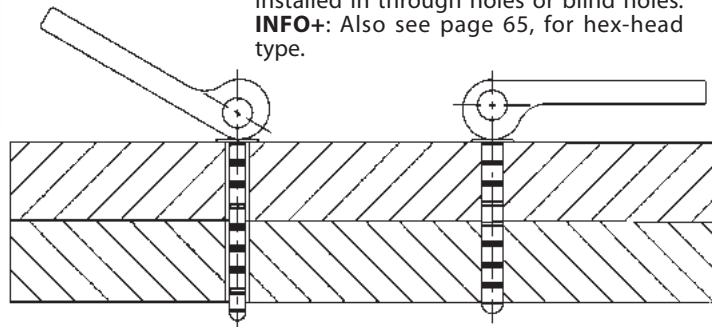
SPLIT BUSHINGS, MALE SEGMENTS, & SPACERS: 17-4PH STAINLESS STEEL, RC 40 MIN, PASSIVATED, DRY FILM LUBE
 CENTER SPINDLE: 17-4PH STAINLESS STEEL, RC 36-40, PASSIVATED, DRY FILM LUBE
 BARREL NUT & WASHER: 17-4PH STAINLESS STEEL, PASSIVATED, DRY FILM LUBE
 HANDLE: ALUMINUM ALLOY, POWDER COATED

1

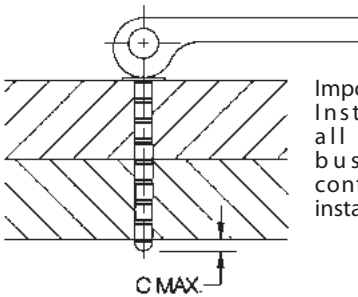


Cam Handle

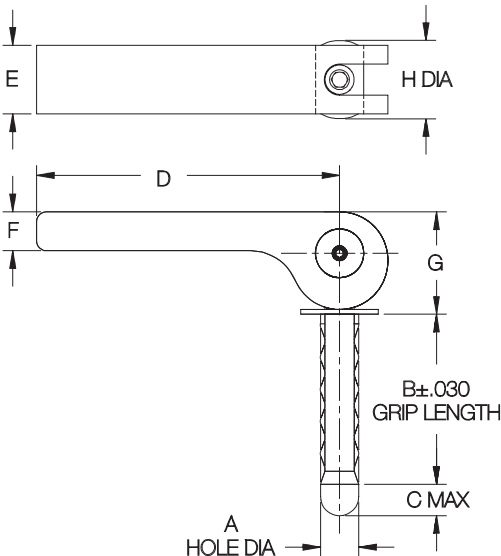
Precision alignment pin that expands up to .006 inches to tighten up hole clearance. The pin is an assembly of female split bushings separated by male segments, on a center spindle, that expands when drawn together. This assembly provides excellent shear strength, comparable to a solid pin. Diameters from 1/4 to 3/4" are available in several standard lengths. Pins can be installed in through holes or blind holes. **INFO+**: Also see page 65, for hex-head type.



Moving the cam handle expands pin diameter up to .006 inches, to take up slack and secure the pin in place. If additional adjustment is required, remove set screw and turn the cam handle.



Important: Install so that all expanding bushings are contained in the installation hole.



CAM HANDLE

PART NO.	A DIA			B	C	D	E	F	G	H DIA	DOUBLE-SHEAR STRENGTH (LBS)*
	NOMINAL	MIN	MAX								
CL-4-EXP-0.50	1/4	.250	.254	.50	1/4	2-3/8	1/2	5/16	.81	5/8	4,000
CL-4-EXP-0.75				.75							
CL-4-EXP-1.00				1.00							
CL-4-EXP-1.50				1.50							
CL-4-EXP-2.00				2.00							
CL-4-EXP-3.00	3.00										
CL-5-EXP-1.00	5/16	.312	.317	1.00	5/16	2-3/8	1	1/2	1.12	1	6,300
CL-5-EXP-2.00				2.00							
CL-5-EXP-3.00				3.00							
CL-6-EXP-1.00	3/8	.375	.380	1.00	3/8	4-1/2	1	1/2	1.12	1	9,000
CL-6-EXP-1.50				1.50							
CL-6-EXP-2.00				2.00							
CL-6-EXP-3.00	3.00										
CL-8-EXP-0.50	1/2	.500	.505	.50	1/2	4-1/2	1	1/2	1.12	1	16,100
CL-8-EXP-1.00				1.00							
CL-8-EXP-1.50				1.50							
CL-8-EXP-2.00				2.00							
CL-8-EXP-3.00				3.00							
CL-10-EXP-1.00	5/8	.625	.630	1.00	5/8	4-1/2	1	1/2	1.31	1	25,100
CL-10-EXP-1.50				1.50							
CL-10-EXP-2.00				2.00							
CL-10-EXP-3.00	3.00										
CL-12-EXP-2.00	3/4	.750	.757	2.00	3/4	6	1-1/4	3/4	2.09	1-1/4	36,200
CL-12-EXP-3.00				3.00							
CL-12-EXP-4.00				4.00							

* 2:1 Safety Factor

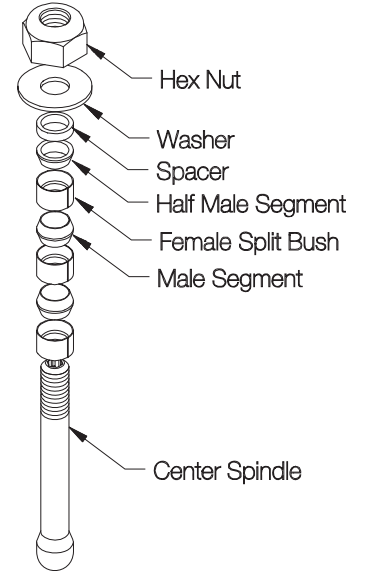
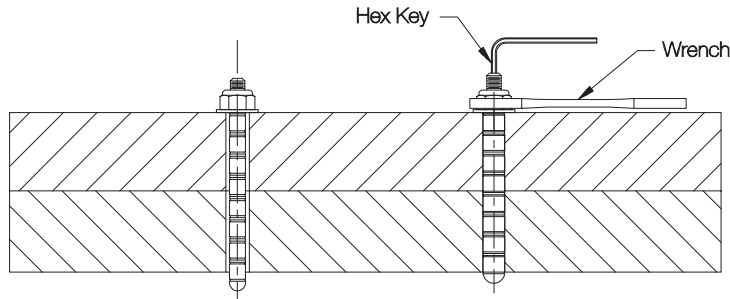
EXPANDING PINS

SPLIT BUSHINGS, MALE SEGMENTS, & SPACERS: 17-4PH STAINLESS STEEL, RC 40 MIN, PASSIVATED, DRY FILM LUBE
 CENTER SPINDLE: 17-4PH STAINLESS STEEL, RC 36-40, PASSIVATED, DRY FILM LUBE
 WASHER: 17-4PH STAINLESS STEEL, PASSIVATED, DRY FILM LUBE
 HEX NUT: 17-4PH STAINLESS STEEL, WITH LOCKING ELEMENT

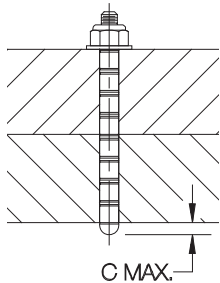


Hex Head

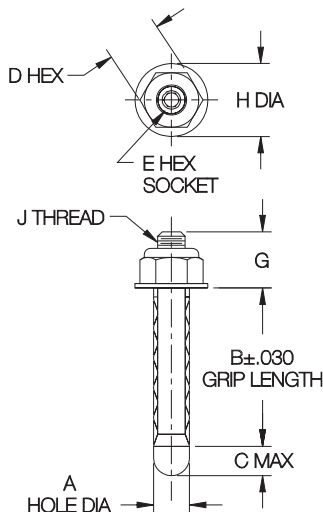
Precision alignment pin that expands up to .006 inches to tighten up hole clearance. The pin is an assembly of female split bushings separated by male segments, on a center spindle, that expands when drawn together. This assembly provides excellent shear strength, comparable to a solid pin. Diameters from 1/4 to 3/4" are available in several standard lengths. Pins can be installed in through holes or blind holes. **INFO+**: Also see page 64, for cam-handle type.



Tightening the hex nut with a wrench expands pin diameter up to .006 inches, to take up slack and secure the pin in place. Hold center spindle stationary with a hex key while tightening.



Important: Install pin so that all split bushings are contained in the installation hole.



HEX HEAD

PART NO.	A DIA			B	C	D	E	G	H DIA	J	DOUBLE-SHEAR STRENGTH (LBS)*	INSTALLATION TORQUE (FT-LBS)
	NOMINAL	MIN	MAX									
CL-4-EXPH-0.50	1/4	.250	.254	.50	1/4	3/8	3/32	.39	.67	#10-32	4,000	3
CL-4-EXPH-0.75				.75								
CL-4-EXPH-1.00				1.00								
CL-4-EXPH-1.50				1.50								
CL-4-EXPH-2.00				2.00								
CL-4-EXPH-3.00	3.00											
CL-5-EXPH-1.00	5/16	.312	.317	1.00	5/16	3/8	3/32	.40	.67	#10-32	6,300	3
CL-5-EXPH-2.00				2.00								
CL-5-EXPH-3.00				3.00								
CL-6-EXPH-1.00	3/8	.375	.380	1.00	3/8	7/16	1/8	.49	.67	1/4-28	9,000	7.5
CL-6-EXPH-1.50				1.50								
CL-6-EXPH-2.00				2.00								
CL-6-EXPH-3.00				3.00								
CL-8-EXPH-0.50	1/2	.500	.505	.50	1/2	9/16	3/16	.71	.92	3/8-24	16,100	29
CL-8-EXPH-1.00				1.00								
CL-8-EXPH-1.50				1.50								
CL-8-EXPH-2.00				2.00								
CL-8-EXPH-3.00				3.00								
CL-10-EXPH-1.00	5/8	.625	.630	1.00	5/8	3/4	1/4	.90	1.22	1/2-20	25,100	83
CL-10-EXPH-1.50				1.50								
CL-10-EXPH-2.00				2.00								
CL-10-EXPH-3.00				3.00								
CL-12-EXPH-2.00	3/4	.750	.757	2.00	3/4	7/8	1/4	1.02	1.35	9/16-18	36,200	121
CL-12-EXPH-3.00				3.00								
CL-12-EXPH-4.00				4.00								

* 2:1 Safety Factor

CABLE ASSEMBLIES

INFO+: SEE PAGES 69-70 FOR MATERIAL SPECIFICATIONS

1

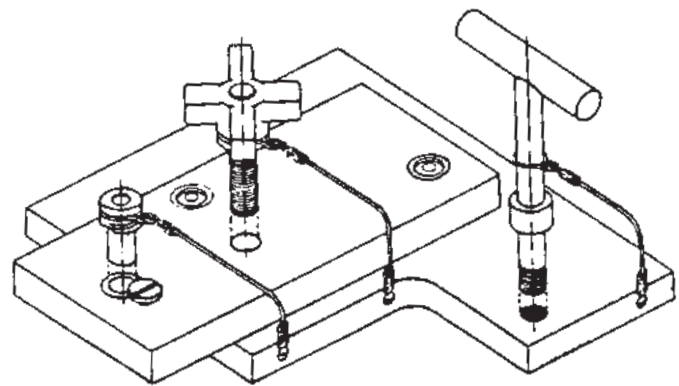


Cable Assemblies are ideal for attaching removable tooling components. High-strength stranded wire cable with a green nylon coating. These versatile attachment cables are available with various loops, Cable Rings, Terminals, and Cable Tabs (see page 61 for assembly drawings and example part numbers).

Cable Assemblies are available in four cable sizes, in steel or stainless steel (#1 cable is only available in stainless steel). Stainless Cable Assemblies with Cable Rings are furnished with stainless Cable Rings. Minimum assembly length is 3.0". Length tolerance is held to $\pm 1/4"$ up to 24" long. **INFO+**: See page 69-70 for dimensions and specifications of Ferrules, Cable Rings, Terminals, and Cable Tabs. Note: These Cable Assemblies should not be used for lifting and other high-tension applications.

To order Cable Assemblies with an uncrimped ferrule (for installation), add a suffix to the part number shown on the next page:

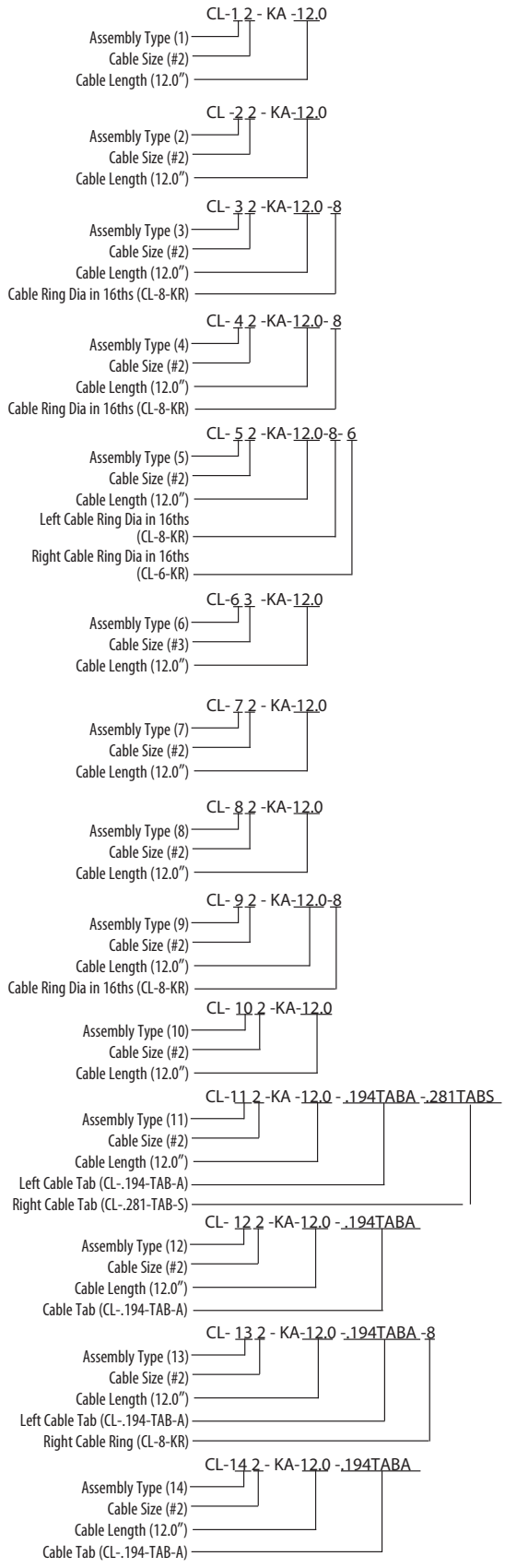
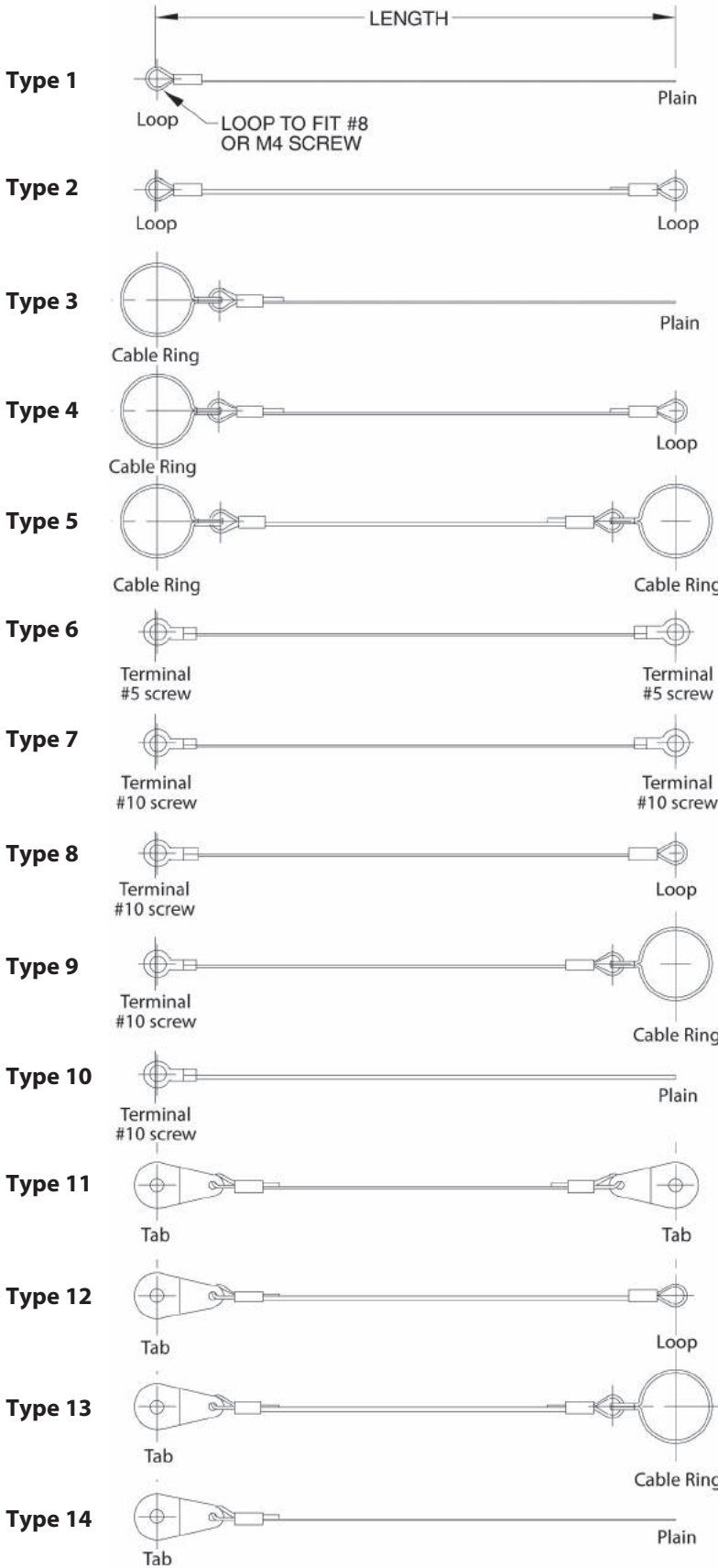
- L for uncrimped left end
- R for uncrimped right end
- LR for both ends uncrimped



Cable Sizes

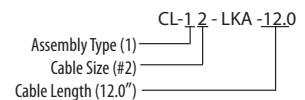
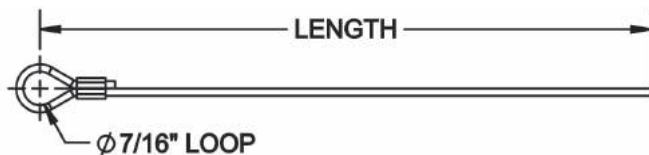
ASSEMBLY TYPE	LEFT END	RIGHT END	CABLE SIZES							
			1		2		3		4	
			STAINLESS	STEEL	STAINLESS	STEEL	STAINLESS	STEEL	STAINLESS	STEEL
1	LOOP	PLAIN	CL-11-KA	CL-12-KA	CL-12-SKA	CL-13-KA	CL-13-SKA	CL-14-KA	CL-14-SKA	
2	LOOP	LOOP	CL-21-KA	CL-22-KA	CL-22-SKA	CL-23-KA	CL-23-SKA	CL-24-KA	CL-24-SKA	
3	CABLE RING	PLAIN	CL-31-KA	CL-32-KA	CL-32-SKA	CL-33-KA	CL-33-SKA	--	--	
4	CABLE RING	LOOP	CL-41-KA	CL-42-KA	CL-42-SKA	CL-43-KA	CL-43-SKA	--	--	
5	CABLE RING	CABLE RING	CL-51-KA	CL-52-KA	CL-52-SKA	CL-53-KA	CL-53-SKA	--	--	
6	#5 TERMINAL	#5 TERMINAL	--	--	--	CL-63-KA	CL-63-SKA	--	--	
7	#10 TERMINAL	#10 TERMINAL	--	CL-72-KA	CL-72-SKA	CL-73-KA	CL-73-SKA	--	--	
8	#10 TERMINAL	LOOP	--	CL-82-KA	CL-82-SKA	--	--	--	--	
9	#10 TERMINAL	CABLE RING	--	CL-92-KA	CL-92-SKA	--	--	--	--	
10	#10 TERMINAL	PLAIN	--	CL-102-KA	CL-102-SKA	--	--	--	--	
11	TAB	TAB	CL-111-KA	CL-112-KA	CL-112-SKA	CL-113-KA	CL-113-SKA	--	--	
12	TAB	LOOP	CL-121-KA	CL-122-KA	CL-122-SKA	CL-123-KA	CL-123-SKA	--	--	
13	TAB	CABLE RING	CL-131-KA	CL-132-KA	CL-132-SKA	CL-133-KA	CL-133-SKA	--	--	
14	TAB	PLAIN	CL-141-KA	CL-142-KA	CL-142-SKA	CL-143-KA	CL-143-SKA	--	--	

CABLE ASSEMBLIES

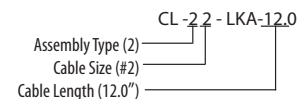
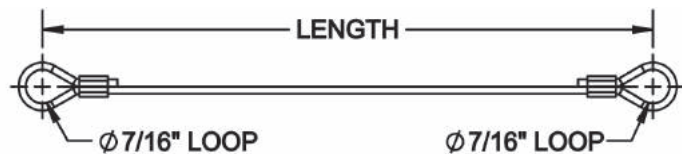


LOAD-RATED CABLE ASSEMBLIES

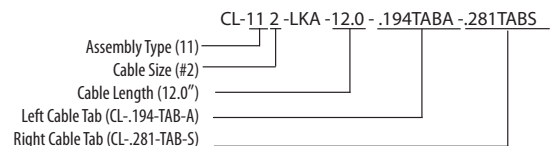
1 Type 1



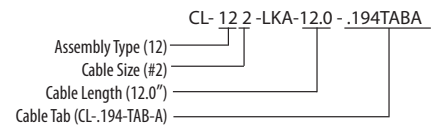
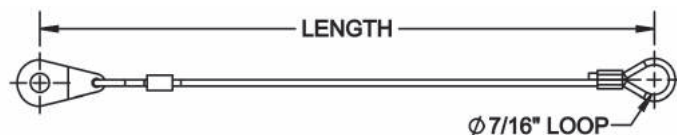
Type 2



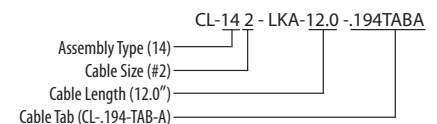
Type 11



Type 12



Type 14



Load-Rated Cable Assemblies are ideal for applications with high pulling forces, where an extra-strong crimp is required. Please note that these cables are not designed for lifting applications, or where high impact forces occur. The high-strength stranded wire cable with a green nylon coating used for these assemblies is the same cable used for our standard cable assemblies. The difference is that Duplex Ferrules are used to achieve a stronger, precisely repeatable crimp. These ferrules require a specific crimping procedure, with a specific crimping tool and gauge to guarantee the assembly load rating (**INFO+**: see page 71 for crimping procedure). Load-Rated Cable Assemblies are available in two cable diameters, sizes #2 and #3.

BASIC PART NO.	CABLE SIZE (STEEL)	RATED LOAD (lbs)	ASSEMBLY TYPE	LEFT END	RIGHT END
CL-12-LKA	#2	100	1	LOOP	PLAIN
CL-22-LKA			2	LOOP	LOOP
CL-112-LKA			11	TAB	TAB
CL-122-LKA			12	TAB	LOOP
CL-142-LKA	#3	175	14	TAB	PLAIN
CL-13-LKA			1	LOOP	PLAIN
CL-23-LKA			2	LOOP	LOOP
CL-113-LKA			11	TAB	TAB
CL-123-LKA			12	TAB	LOOP
CL-143-LKA			14	TAB	PLAIN

CABLE

GALVANIZED STEEL OR STAINLESS STEEL, NYLON COATED (GREEN)



Cable Sizes

High-strength stranded wire cable with a green nylon coating. Choice of four cable diameters. Cable size 1 is made of stainless steel. Sizes 2, 3, and 4 are available in either galvanized steel or stainless steel. Cable is available in cut pieces (inch or mm), in bulk lengths, (feet or meters, 10 ft/ 3m minimum), or in 1000-ft rolls. Cut pieces are held to a $\pm 1/4$ " length tolerance up to 24" long. Examples:

CL-2-C-12.0 (Cut piece, #2 cable, 12" long)

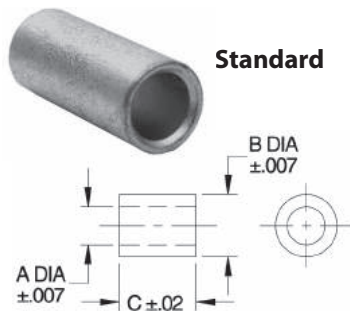


CABLE SIZE	MATERIAL	PART NO.	LENGTH	D DIA		CONSTRUCTION	BREAKING STRENGTH (LBS)
				COATED	WIRE		
1	STAINLESS STEEL	CL-1-C-50FT	50 Feet	.044	.024	1x7	80
		CL-1-C-100FT	100 Feet				
		CL-1-C-250FT	250 Feet				
		CL-1-C-500FT	500 Feet				
		CL-1-C-1000FT	1000 Feet				
2	STEEL	CL-2-C-50FT	50 Feet	.062	.047	7x7	270
		CL-2-C-100FT	100 Feet				
		CL-2-C-250FT	250 Feet				
		CL-2-C-500FT	500 Feet				
		CL-2-C-1000FT	1000 Feet				
	STAINLESS STEEL	CL-2-SC-50FT	50 Feet				
		CL-2-SC-100FT	100 Feet				
		CL-2-SC-250FT	250 Feet				
		CL-2-SC-500FT	500 Feet				
		CL-2-SC-1000FT	1000 Feet				
3	STEEL	CL-3-C-50FT	50 Feet	.094	.062	7x7	480
		CL-3-C-100FT	100 Feet				
		CL-3-C-250FT	250 Feet				
		CL-3-C-500FT	500 Feet				
		CL-3-C-1000FT	1000 Feet				
	STAINLESS STEEL	CL-3-SC-50FT	50 Feet				
		CL-3-SC-100FT	100 Feet				
		CL-3-SC-250FT	250 Feet				
		CL-3-SC-500FT	500 Feet				
		CL-3-SC-1000FT	1000 Feet				
4	STEEL	CL-4-C-50FT	50 Feet	.187	.125	7x19	800
		CL-4-C-100FT	100 Feet				
		CL-4-C-250FT	250 Feet				
		CL-4-C-500FT	500 Feet				
		CL-4-C-1000FT	1000 Feet				
	STAINLESS STEEL	CL-4-SC-50FT	50 Feet				
		CL-4-SC-100FT	100 Feet				
		CL-4-SC-250FT	250 Feet				
		CL-4-SC-500FT	500 Feet				
		CL-4-SC-1000FT	1000 Feet				

2

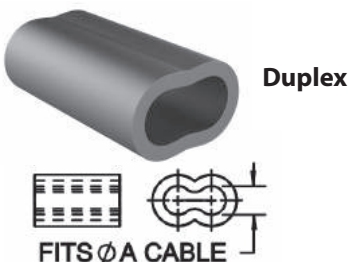
FERRULES

COPPER, ELECTRO TIN PLATED



Standard

Ferrules are used to crimp a loop on the end of our nylon-coated cable. These standard round Ferrules are available in four diameters to fit our four standard cable sizes. An extra-long version is optionally available for #2 and #3 cable sizes, to allow double crimping. Ferrules may be slightly elliptical (partially crimped) at our option.



Duplex

Duplex Ferrules are used exclusively to make our Load-Rated Cable Assemblies. These ferrules require a specific crimping procedure, with a specific crimping tool and gauge to guarantee the assembly load rating. Duplex Ferrules are available in two sizes, to fit #2 and #3 cable. **INFO+:** See page 68 for the five types of Load-Rated Cable Assemblies that can be made with these ferrules, and page 71 for the crimping procedure required.

STANDARD FERRULES

PART NO.	FITS CABLE	A	B	C
CL-1-F	SIZE 1	.094	.154	.315
CL-2-F	SIZE 2	.138	.213	.335
CL-4-F				.591
CL-3-F	SIZE 3	.185	.276	.374
CL-5-F				.827
CL-6-F	SIZE 4	.378	.520	1.260

DUPLEX FERRULES

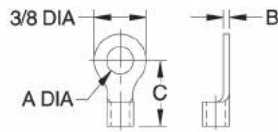
PART NO.	FITS CABLE		B LENGTH
	SIZE	A DIA	
CL-2-DF	#2	.062	3/8
CL-3-DF	#3	.094	3/8

TERMINALS

COPPER, ELECTRO TIN PLATED



Terminals are for crimping on our nylon-coated cable, to allow attaching the end with a screw. Available for #2 and #3 cable.



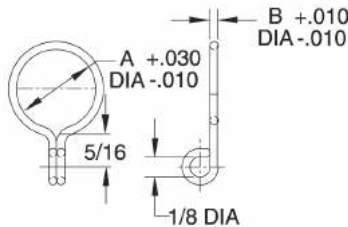
PART NO.	FITS CABLE	A		B	C
		A DIA	SCREW SIZE		
CL-194-TERM-2	SIZE 2	.21	#10 (or M5)	.03	15/32
CL-129-TERM	SIZE 3	.13	#5 (or M3)	.04	19/32
CL-194-TERM		.21	#10 (or M5)		

CABLE RINGS

SPRING STEEL WIRE, BLACK OXIDE FINISH



Cable Rings allow attaching Cable Assemblies to a diameter or radial groove. Can be used with cable sizes #1, #2, and #3. Available in steel or stainless steel.



PART NO. STEEL	PART NO. STAINLESS	A DIA	B WIRE DIA	
			STEEL	STAINLESS
CL-2-KR	CL-2-SKR	1/8 (also 3mm)	.045	.062
CL-3-KR	CL-3-SKR	3/16 (also 4&5mm)		
CL-4-KR	CL-4-SKR	1/4 (also 6&7mm)		
CL-5-KR	CL-5-SKR	5/16 (also 8mm)		
CL-6-KR	CL-6-SKR	3/8 (also 9&10mm)		
CL-7-KR	CL-7-SKR	7/16 (also 11mm)		
CL-8-KR	CL-8-SKR	1/2 (also 12&13mm)		
CL-9-KR	CL-9-SKR	9/16 (also 14&15mm)		
CL-10-KR	CL-10-SKR	5/8 (also 16mm)		
CL-11-KR	CL-11-SKR	11/16 (also 17&18mm)		
CL-12-KR	CL-12-SKR	3/4 (also 19&20mm)		
CL-13-KR	CL-13-SKR	13/16 (also 21mm)		
CL-14-KR	CL-14-SKR	7/8 (also 22 or 23mm)		
CL-15-KR	CL-15-SKR	15/16 (also 24mm)		
CL-16-KR	CL-16-SKR	1 (also 25&26mm)		
CL-17-KR	CL-17-SKR	1-1/16 (also 27mm)		
CL-18-KR	CL-18-SKR	1-1/8 (also 28&29mm)		
CL-19-KR	CL-19-SKR	1-3/16 (also 30&31mm)		
CL-20-KR	CL-20-SKR	1-1/4 (also 32mm)		
CL-21-KR	CL-21-SKR	1-5/16 (also 33&34mm)		
CL-22-KR	CL-22-SKR	1-3/8 (also 35 mm)		
CL-23-KR	CL-23-SKR	1-7/16 (also 36&37mm)		
CL-24-KR	CL-24-SKR	1-1/2 (also 38mm)		

CABLE TABS

ALUMINUM: 6061 ALUMINUM ALLOY, CLEAR ANODIZED. STAINLESS: 300-SERIES STAINLESS STEEL, PASSIVATED

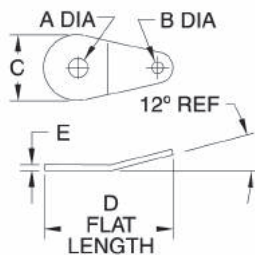


Teardrop



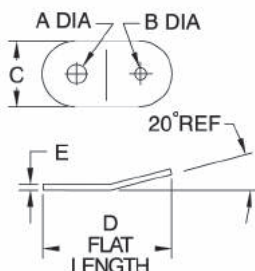
Rectangular

Cable Tabs attach to our nylon-coated cable, to allow attaching the end with a screw. Can be used with cable sizes #1, #2, and #3. Available in two shapes, teardrop and rectangular. Available in aluminum and stainless steel.



TEARDROP

PART NO. ALUMINUM	PART NO. STAINLESS STEEL	FITS CABLE	A		B DIA	C	D	E
			DIA	SCREW SIZE				
CL-129-TAB-A	CL-129-TAB-S	SIZES 1 TO 3	.13	#5 (or M3)	.13	.69	1.31	.06
CL-194-TAB-A	CL-194-TAB-S		.20	#10 (or M4)				
CL-281-TAB-A	CL-281-TAB-S		.28	1/4 (or M6)				

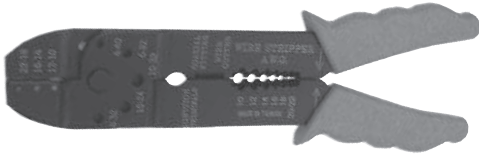


RECTANGULAR

PART NO. ALUMINUM	PART NO. STAINLESS STEEL	FITS CABLE	A		B DIA	C	D	E
			DIA	SCREW SIZE				
CL-129-TABR-2-A	CL-129-TABR-2-S	SIZES 1 TO 2	.13	#5 (or M3)	.09	1/2	1.14	.06
CL-194-TABR-2-A	CL-194-TABR-2-S		.20	#10 (or M4)				
CL-281-TABR-2-A	CL-281-TABR-2-S		.28	1/4 (or M6)				
CL-194-TABR-3-A	CL-194-TABR-3-S	SIZES 1 TO 3	.20	#10 (or M4)	.19	1/2	1.14	.06
CL-281-TABR-3-A	CL-281-TABR-3-S		.28	1/4 (or M6)				

CRIMPING TOOLS

STEEL WITH PLASTIC HANDGRIPS



Standard

Plier tool for manually crimping ferrules on our nylon-coated cable. Crimps ferrules on either #1 or #2 cable. Heavier cable sizes require power crimping and should be ordered finish-crimped from the factory whenever possible.

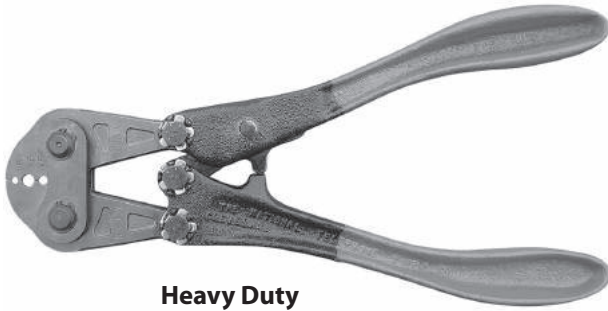
STANDARD CRIMPING TOOL

PART NO.	FOR CABLE	FOR FERRULES
CL-1-CT	SIZE 1	CL-1-F
	SIZE 2	CL-2-F CL-4-F

2

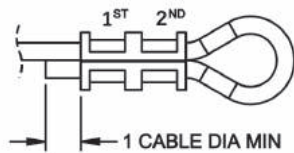
HEAVY-DUTY CRIMPING TOOLS

FORGED STEEL

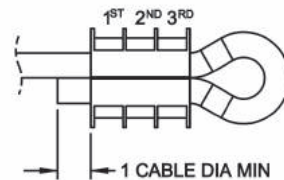


Heavy Duty

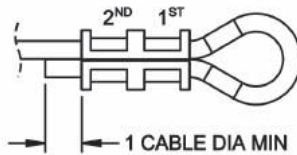
Heavy-Duty Crimping Tools are rugged hand tools engineered for the toughest field conditions. Manufactured from forged alloy steel with hardened working surfaces. These tools are designed to effectively crimp Duplex Ferrules by creating maximum holding around the wire, resulting in strong, reliable connections. Jaws have multiple marked pressing grooves to match the different ferrule sizes. CL-2-DF requires two crimps per ferrule, while CL-3-DF requires three crimps per ferrule.



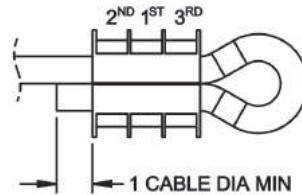
Cable #2
Two Crimps
(Sequence Option 1)



Cable #3
Three Crimps
(Sequence Option 1)



Cable #2
Two Crimps
(Sequence Option 2)



Cable #3
Three Crimps
(Sequence Option 2)



Crimp Gauge
(Included with Crimping Tool)

HEAVY-DUTY CRIMPING TOOL

PART NO.	CRIMPING GROOVE IN JAWS
CL-2-CTDF	VB4 for Duplex Ferrule CL-2-DF VG for Duplex Ferrule CL-3-DF

NYLON LANYARDS

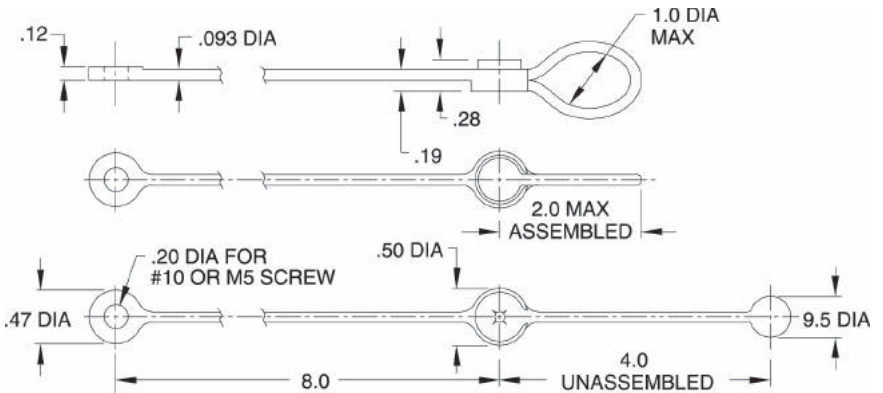
ZYTEL® HIGH-STRENGTH NYLON, BLACK

1



High-strength nylon lanyard with one eyelet end and one loop end. The eyelet end can be fastened with a screw. The loop end is supplied open – simply snap together to create a permanent assembly. Snap assembly allows on-site attachment without a crimping tool. These economical lanyards are ideal for applications where the attached item is occasionally removed, by cutting the lanyard, and replaced.

Available in one length (10" assembled). Eyelet accepts a #10 or M5 screw. A minimum pass-through diameter of 3/8" is required for attachment. Made in USA.



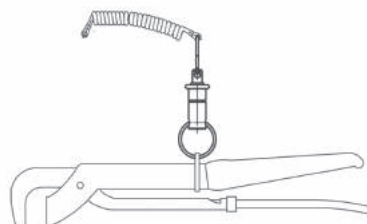
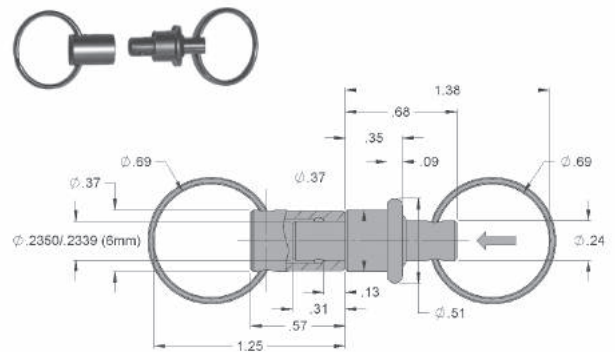
PART NO.	LANYARD DIA	LENGTH (ASSEMBLED)	EYELET	
			ID	FOR SCREW
CL-1-NL-10	.093	10	.20	#10 OR M5

BALL LOCK COUPLING RINGS

PIN AND RECEIVER: 303 STAINLESS STEEL
RINGS, SPRING, AND BALLS: STAINLESS STEEL



This tiny quick-release coupling assembly incorporates a rugged, high-quality Ball Lock Pin mechanism. Allows quick, reliable connection and disconnection of items attached to a cable assembly. Simply press the button to release. One half of the coupling ring is essentially a small Ball Lock Pin with a split ring through the push button; the other half is a mating receiver, also with a split ring through it. The coupling is positive locking until released by pushing the button, which moves the center spindle forward to allow the locking balls to retract. Made of 300-series stainless steel for excellent corrosion resistance. Note: photo at left is shown actual size.



PART NO.	PIN DIA	RATED LOAD CAPACITY (LBS)	MAXIMUM OPERATING TEMPERATURE
CLM-6-BLCR-S	6MM	7	480°F

HOIST RINGS

2



Swivel Hoist Rings



Side-Pull Hoist Rings



Pivoting Hoist Rings



Lifting Eyes



Hoist Eye 360°



**Hoist Ring
Accessories**

Also see:



**Lifting Pins
pp. 58-59**

HOIST RINGS

2

SELECTION CHART:

CAPACITY	SWIVEL			SIDE-PULL	PIVOTING	LIFTING EYES	HOIST EYE 360°
	STEEL	STAINLESS	NICKEL				
< 500 LBS.	X	X				X	
500-999 LBS.	X		X	X		X	X
1,000-2,499 LBS.	X	X	X	X	X	X	X
2,500-4,999 LBS.	X	X	X	X	X	X	X
5,000-7,499 LBS.	X	X		X	X	X	X
7,500-9,999 LBS.	X	X		X	X	X	
10,000-24,999 LBS.	X	X		X	X	X	
>25,000 LBS.	X	X					

HOIST RING SAFETY PRECAUTIONS

INFO+: The following safety precautions apply to all lifting devices on pages 75, 76-90 and page 58. Also see these individual pages for additional precautions and installation guidelines.

1. **IMPORTANT!** The load on each hoist ring is not simply total weight divided by the number of hoist rings. The resultant force can be significantly greater at shallow lift angles and with unevenly distributed loads. See the example below:

$F = \text{Force on each hoist ring}$
 $W = \text{Total weight} = 4000 \text{ lbs.}$
 $N = \text{Number of hoist rings} = 4$
 $A = \text{Lifting angle}$

$$F = \frac{W}{N \sin A}$$

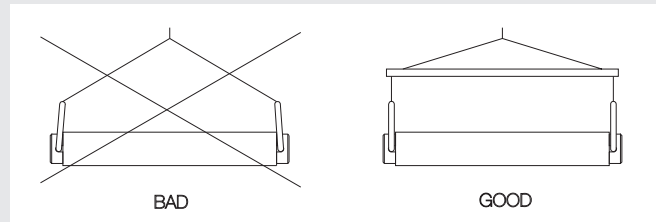
If $A = 70^\circ$, $F = \frac{4000}{4 \sin 70^\circ} = 1064 \text{ lbs.}$

If $A = 15^\circ$, $F = \frac{4000}{4 \sin 15^\circ} = 3864 \text{ lbs.}$

2. Despite the 5:1 safety factor on hoist rings, never exceed the rated load capacity. This safety margin is needed in case of misuse, which could drastically lower load capacity.

3. Tensile strength of parent material should be above 80,000 psi to achieve full load rating. For weaker material, consider through-hole mounting with a nut and washer on the other side.

4. Do not allow hoist rings to bind. Use a spreader bar, if necessary, to avoid binding.



5. Do not use spacers between the hoist ring and the mounting surface.

6. Mounting surface must be flat and smooth for full contact under hoist ring. Tapped mounting holes must be perpendicular to the mounting surface.

7. Tighten mounting screws to the torque recommended. Periodically check torque because screws could loosen in extended service. For hoist rings not furnished with screws, mount using only high-quality socket-head cap screws.

8. Never lift with a hook or other device that could deform the lifting ring. **INFO+:** Do not use cable assemblies on pages 66-67 for lifting.

9. Do not apply shock loads. Always lift gradually. Repeat magnaflux testing if shock loading ever occurs.

10. After installation, check that ring rotates and pivots freely in all directions.

TYPES



SWIVEL HOIST RINGS

The original, patented safety-engineered Hoist Ring, and the only one that has a production sample destructively pull tested to guarantee each production run meets or exceeds the 5:1 safety factor. Pivots 180 degrees and swivels 360 degrees simultaneously to allow lifting from any direction. Black oxide finish is standard, with cadmium plating available as a special. Also available in 300-series stainless steel, with a load rating equal to 50% of the steel version. Heavy duty versions are available in capacities up to 250,000 lbs. Some varieties available electroless nickel plated, for a less-hazardous corrosion-resistant finish. Made in USA. **INFO+:** Pages 76-83.



SIDE-PULL HOIST RINGS

Required for side mounting. Flip and turn loads without unhooking (use with a spreader bar). Forged alloy-steel ring pivots 180 degrees and swivels 360 degrees simultaneously to allow lifting from any direction. Large, weldless forged ring can accommodate larger lifting hooks. Meets OSHA standards and military specifications MIL-STD-209J and MIL-STD-1365(11). Safety factor = 5:1. Made in USA. **INFO+:** Pages 86-87.



PIVOTING HOIST RINGS

An economical lifting device ideal for permanent installation. Also has a low profile and high load capacity. Forged base and solid-loop forged ring. Pivots a full 180 degrees, but does not rotate. Safety factor = 5:1. Made in USA. **INFO+:** Page 88.



LIFTING EYES

Forged steel eyebolts with an integral shoulder for greater strength. These simple, economical products are suitable for vertical lifting in-line with the threaded bolt, such as when lifting from a single point or from two points with a spreader bar. For lifting at an angle, Swivel Hoist Rings should be used instead. Manufactured and tested according to ASTM A489 and ANSI B18.15 specifications. Safety factor = 5:1. Made in USA. **INFO+:** Page 89.



HOIST EYE 360®

Hoist Eye 360® is a forged lifting eye that can be rotated 360° after installation, to align with the pulling direction. This compact assembly features a specially designed shoulder bolt, which rotates freely in the precisely machined lifting-eye body and is held captive by a retaining ring. Unlike conventional lifting eyes, Hoist Eye 360® can be used at full rated load capacity when pulling at any angle 0 to 90° from the bolt axis. Safety factor = 5:1. Made in USA. **INFO+:** Page 90.

MATERIALS

STEEL

Alloy steel, heat treated, black oxide finish (cadmium plating available as a special). Every production lot of swivel Hoist Rings is subjected to testing, including the industry's most rigorous pull testing. We destructively pull test every production lot to ensure that they meet or exceed our 5:1 safety factor.

STAINLESS STEEL

The stainless steel version of our original, patented safety-engineered hoist ring comes with a load rating equal to 50% of the steel version. Useful for corrosive, cryogenic, or elevated-temperature environments.

NICKEL-PLATED STEEL

Alloy-steel Swivel Hoist Rings are available with electroless nickel plating. This optional finish offers excellent corrosion and wear resistance while still providing the full load capacity of our heat-treated alloy-steel hoist rings.

All hoist rings are made in the USA, and available DFARS and RoHS compliant.

SWIVEL HOIST RINGS

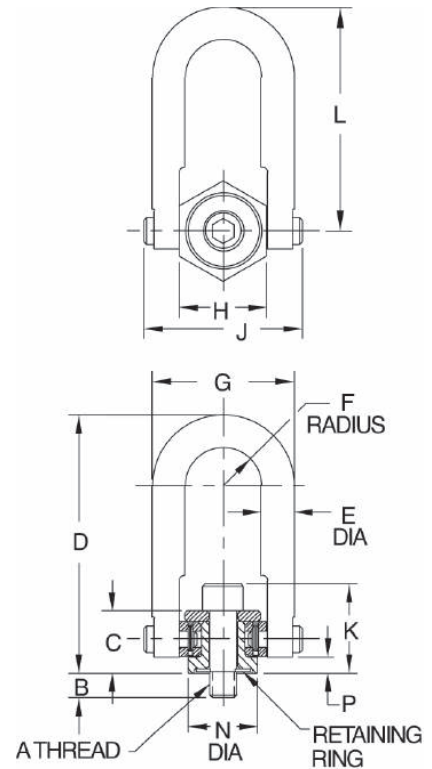
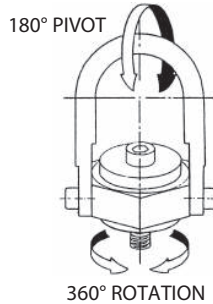
ALLOY STEEL, HEAT TREATED, BLACK OXIDE FINISH, 100% MAGNAFLUX INSPECTED

2



The original safety-engineered hoist ring. Pivots 180 degrees and swivels 360 degrees simultaneously to allow lifting from any direction. Safety factor = 5:1. Black oxide finish is standard, with cadmium plating available as a special (add -C to part number). Swivel Hoist Rings are also available in 300-series stainless steel, with a load rating equal to 50% of the steel version (**INFO+** see pages 79-80). **Patent no. 3,297,293 and 4,705,422.**

Fasten hoist rings using the installation torque specified in the dimension table. Always install so that the hoist ring can pivot and swivel freely. Some hoist rings are available with a choice of bolt lengths. Use the shortest bolt length only for steel plates, the other lengths for weaker materials and for through-hole mounting with a washer and nut. **INFO+:** See general Hoist Ring Safety Precautions on page 74.



STANDARD RING (INCH)

PART NO.	LOAD RATING (LBS)	A	B	C	D	E DIA	F	G	H	J	K	L	N DIA	P	INSTALLATION TORQUE (FT-LBS)	REPLACEMENT BOLT (WITH RETAINING RING)
CL-550-SHR-2	550	1/4-20	.54	.71	2.67	3/8	.43	1.61	1.00	1.84	.96	2.31	.75	.17	5	—
CL-800-SHR-1	800	5/16-18	.29	.72	2.63	3/8	.44	1.62	1.00	1.82	1.03	2.35	.75	.17	7	CL-800-SHRB-1
CL-800-SHR-2			.54													CL-800-SHRB-2
CL-1000-SHR-1	1000	3/8-16	.54	.72	2.63	3/8	.44	1.62	1.00	1.82	1.09	2.35	.75	.17	12	CL-1000-SHRB-1
CL-23301-SHR	2500	1/2-13	1.07	.93	3.77	1/2	.70	2.40	1.49	2.58	1.43	3.31	1.25	.20	28	CL-23318-SHRB-1
CL-2500-SHR-1	2500	1/2-13	.77	1.23	4.77	3/4	.88	3.25	2.00	3.52	1.73	4.24	1.50	.16	28	CL-2500-SHRB-1
CL-2500-SHR-2			1.02													CL-2500-SHRB-2
CL-2500-SHR-3			1.27													CL-2500-SHRB-3
CL-4000-SHR-1			.77													CL-4000-SHRB-1
CL-4000-SHR-2	4000	5/8-11	1.02	1.23	4.77	3/4	.88	3.25	2.00	3.52	1.86	4.24	1.50	.16	60	CL-4000-SHRB-2
CL-4000-SHR-3			1.27													CL-4000-SHRB-3
CL-5000-SHR-1			1.02													CL-5000-SHRB-1
CL-5000-SHR-2	5000	3/4-10	1.52	1.23	4.77	3/4	.88	3.25	2.00	3.52	1.98	4.24	1.50	.16	100	CL-5000-SHRB-2
CL-7000-SHR-1			1.03													CL-7000-SHRB-1
CL-7000-SHR-2	7000	3/4-10	1.53	1.72	6.55	1-1/16	1.40	4.94	3.00	5.06	2.47	5.80	2.37	.24	100	CL-7000-SHRB-2
CL-8000-SHR-1			1.03													CL-8000-SHRB-1
CL-8000-SHR-2	8000	7/8-9	1.53	1.72	6.55	1-1/16	1.40	4.94	3.00	5.06	2.60	5.80	2.37	.24	160	CL-8000-SHRB-2
CL-10000-SHR-1			1.28													CL-10000-SHRB-1
CL-10000-SHR-2	10000	1"-8	1.53	1.72	6.55	1-1/16	1.40	4.94	3.00	5.06	2.72	5.80	2.37	.24	230	CL-10000-SHRB-2
CL-10000-SHR-3			2.28													CL-10000-SHRB-3
CL-15000-SHR-1	15000	1-1/4"-7	1.89	2.11	8.73	1-1/4	1.75	6.00	3.76	6.50	3.36	7.75	3.20	.35	470	CL-15000-SHRB-1
CL-24000-SHR-1	24000	1-1/2"-6	2.70	2.81	12.47	1-3/4	2.25	8.00	4.87	8.55	4.36	11.12	4.20	.47	800	CL-24000-SHRB-1
CL-23200-SHR	30000	2"-4-1/2	2.96	2.81	12.47	1-3/4	2.25	8.00	4.87	8.55	5.36	11.12	4.20	.47	1100	—
CL-23503-SHR	50000	2-1/2"-4	4.00	4.09	16.87	2-1/4	3.00	10.50	6.52	11.67	6.59	14.50	5.75	1.12	2100	—
CL-23501-SHR		2-1/2"-8														—
CL-23600-SHR	75000	3"-4	5.20	5.20	19.50	2-3/4	3.75	13.00	8.10	14.15	8.27	17.00	7.25	1.00	4300	—
CL-23701-SHR	100000	3-1/2"-4	7.00	7.00	22.09	3-1/4	4.00	14.50	8.60	15.90	9.56	19.25	7.75	1.09	6600	—

CONTINUED ON NEXT PAGE

SWIVEL HOIST RINGS

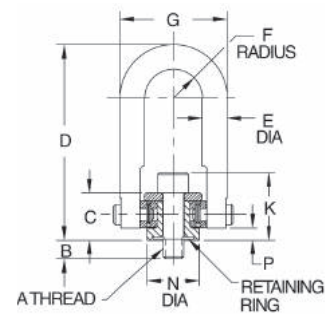
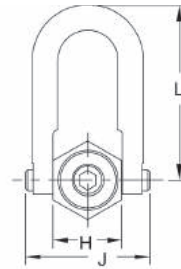
STANDARD RING (METRIC)

PART NO.	LOAD RATING (LBS)	A	B	C	D	E DIA	F	G	H	J	K	L	N DIA	P	INSTALLATION TORQUE (FT-LBS)	REPLACEMENT BOLT WITH (RETAINING RING)
CLM-800-SHR-2	880	M8	.66	.72	2.63	3/8	.44	1.62	1.00	1.82	1.02	2.35	.75	.17	7	CLM-800-SHRB-2
CLM-1000-SHR-1	1000	M10	.66	.72	2.63	3/8	.44	1.62	1.00	1.82	1.10	2.35	.75	.17	12	CLM-1000-SHRB-1
CLM-2500-SHR-1	2300	M12	.74	1.23	4.77	3/4	.88	3.25	2.00	3.52	1.70	4.24	1.50	.16	27	CLM-2500-SHRB-1
CLM-4000-SHR-2	4000	M16	1.13	1.23	4.77	3/4	.88	3.25	2.00	3.52	1.86	4.24	1.50	.16	59	CLM-4000-SHRB-2
CLM-24020-SHR	4800	M20	1.18	1.23	4.77	3/4	.88	3.25	2.00	3.52	2.01	4.25	1.50	.16	100	CLM-24220-SHRB
CLM-7000-SHR-2	6600	M20	1.26	1.72	6.55	1-1/16	1.40	4.94	3.00	5.06	2.51	5.80	2.31	.24	100	CLM-7000-SHRB-2
CLM-9000-SHR-2	9200	M24	1.46	1.72	6.55	1-1/16	1.40	4.94	3.00	5.06	2.66	5.80	2.31	.24	159	CLM-9000-SHRB-2
CLM-10000-SHR-1	10000	M30	2.12	1.71	6.52	1	1.40	4.80	3.00	5.14	2.72	5.80	2.31	.24	230	CLM-24230-SHRB
CLM-15000-SHR-1	15000	M30	1.81	2.11	8.73	1-1/4	1.75	6.00	3.76	6.50	3.36	7.75	3.20	.35	470	CLM-24421-SHRB
CLM-24042-SHR			CLM-24433-SHRB													
CLM-24000-SHR-1	24000	M36	2.72	2.81	12.47	1-3/4	2.25	8.00	4.87	8.55	4.36	11.12	4.20	.47	800	CLM-24223-SHRB
CLM-27000-SHR-1	27000	M42	3.11	2.81	12.47	1-3/4	2.25	8.00	4.87	8.55	4.86	11.12	4.20	.47	800	CLM-24232-SHRB
CLM-30000-SHR-1	30000	M48	3.11	2.81	12.47	1-3/4	2.25	8.00	4.87	8.55	5.36	11.12	4.20	.47	800	CLM-24225-SHRB
CLM-24060-SHR	48000	M64	4.02	4.09	16.87	2-1/4	3.00	10.50	6.52	11.67	6.61	14.50	5.75	1.12	2100	CLM-24527-SHRB
CLM-24062-SHR	69000	M72	5.20	5.27	19.50	2-3/4	3.75	13.00	8.10	14.50	8.27	17.00	7.25	1.00	4200	CLM-24627-SHRB
CLM-24064-SHR	110000	M90	7.01	6.06	22.09	3-1/4	4.00	14.50	8.60	15.90	9.56	19.25	7.75	1.09	7100	CLM-24727-SHRB



Optional Long-Ring Version

Long-ring version provides extra reach and allows using larger lifting hooks.



LONG RING (INCH)

PART NO.	LOAD RATING (LBS)	A	B	C	D	E DIA	F	G	H	J	K	L	N DIA	P	INSTALLATION TORQUE (FT-LBS)	REPLACEMENT BOLT WITH (RETAINING RING)
CL-23322-SHR	2500	1/2-13	.78	1.22	6.72	3/4	.88	3.25	1.99	3.52	1.72	6.19	1.50	.16	28	CL-23024-SHRB
CL-23323-SHR			1.03													CL-23025-SHRB
CL-23324-SHR			1.28													CL-23026-SHRB
CL-23320-SHR	4000	5/8-11	1.03	1.22	6.72	3/4	.88	3.25	1.99	3.52	1.85	6.19	1.50	.16	60	CL-23022-SHRB
CL-23321-SHR			1.28													CL-23023-SHRB
CL-23325-SHR	5000	3/4-10	1.03	1.22	6.72	3/4	.88	3.25	1.99	3.52	1.97	6.19	1.50	.16	100	CL-23027-SHRB
CL-23327-SHR			1.53													CL-23029-SHRB
CL-23329-SHR	7000	3/4-10	1.04	1.71	8.11	1	1.40	4.80	3.00	5.14	2.46	7.38	2.37	.24	100	CL-23122-SHRB
CL-23330-SHR			1.54													CL-23123-SHRB
CL-23328-SHR	8000	7/8-9	1.04	1.71	8.11	1	1.40	4.80	3.00	5.14	2.59	7.38	2.37	.24	160	CL-23121-SHRB
CL-23331-SHR	10000	1"-8	1.29	1.71	8.11	1	1.40	4.80	3.00	5.14	2.71	7.38	2.37	.24	230	CL-23125-SHRB
CL-23332-SHR			1.54													CL-23126-SHRB
CL-23333-SHR			2.29													CL-23127-SHRB

LONG RING (METRIC)

CLM-24014-SHR	2300	M12	.75	1.22	6.72	3/4	.88	3.25	1.99	3.52	1.69	6.19	1.50	.16	27	CLM-24212-SHRB
CLM-24018-SHR	4000	M16	.94	1.22	6.72	3/4	.88	3.25	1.99	3.52	1.85	6.19	1.50	.16	59	CLM-24216-SHRB
CLM-24021-SHR	4800	M20	1.18	1.22	6.72	3/4	.88	3.25	1.99	3.52	2.01	6.19	1.50	.16	100	CLM-24220-SHRB
CLM-24023-SHR	6600	M20	1.14	1.71	8.11	1	1.40	4.80	3.00	5.14	2.50	7.38	2.37	.24	100	CLM-24222-SHRB
CLM-24026-SHR	9200	M24	1.34	1.71	8.11	1	1.40	4.80	3.00	5.14	2.65	7.38	2.37	.24	230	CLM-24224-SHRB
CLM-24032-SHR	10000	M30	2.13	1.71	8.11	1	1.40	4.80	3.00	5.14	2.89	7.38	2.37	.24	230	CLM-24230-SHRB

NICKEL-PLATED SWIVEL HOIST RINGS

ALLOY STEEL, HEAT TREATED, ELECTROLESS NICKEL PLATED, 100% MAGNAFLUX INSPECTED

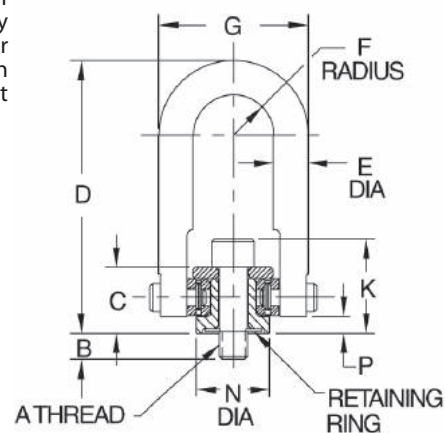
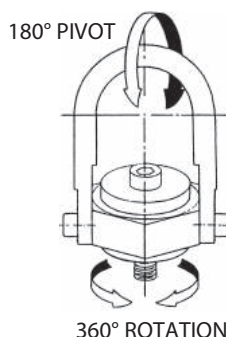
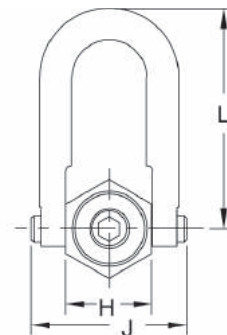
2



Nickel Plated

Our original alloy-steel Swivel Hoist Rings are now available with electroless nickel plating. These hoist rings offer excellent corrosion and wear resistance while still providing the full load capacity of our heat-treated alloy-steel hoist rings. Electroless nickel is a hard, uniform coating that is very resistant to a wide range of chemicals, which makes these hoist rings suitable for many corrosive and marine environments. Swivel Hoist Rings pivot 180 degrees and swivel 360 degrees simultaneously to allow lifting from any direction. Safety factor = 5:1. **Patent no. 3,297,293 and 4,705,422.**

Fasten hoist rings using the installation torque specified in the dimension table. Always install so that the hoist ring can pivot and swivel freely. Some hoist rings are available with a choice of bolt lengths. Use the shortest bolt length only for steel plates, the other lengths for weaker materials and for through-hole mounting with a washer and nut. **INFO+**: See general Hoist Ring Safety Precautions on page 74.



STANDARD RING, ELECTROLESS NICKEL PLATED (INCH)

PART NO.	LOAD RATING (LBS)	A	B	C	D	E DIA	F	G	H	J	K	L	N DIA	P	INSTALLATION TORQUE (FT-LBS)	REPLACEMENT BOLT (WITH RETAINING RING)
CL-800-SHR-2-N	800	5/16-18	.54	.72	2.63	3/8	.44	1.62	1.00	1.82	1.03	2.35	.75	.17	7	CL-800-SHRB-2-N
CL-1000-SHR-1-N	1000	3/8-16	.54	.72	2.63	3/8	.44	1.62	1.00	1.82	1.09	2.35	.75	.17	12	CL-1000-SHRB-1-N
CL-2500-SHR-1-N	2500	1/2-13	.77	1.23	4.77	3/4	.88	3.25	2.00	3.52	1.73	4.24	1.50	.16	28	CL-2500-SHRB-1-N
CL-2500-SHR-2-N			1.02													CL-2500-SHRB-2-N
CL-2500-SHR-3-N			1.27													CL-2500-SHRB-3-N
CL-4000-SHR-1-N			.77													CL-4000-SHRB-1-N
CL-4000-SHR-2-N	4000	5/8-11	1.02	1.23	4.77	3/4	.88	3.25	2.00	3.52	1.86	4.24	1.50	.16	60	CL-4000-SHRB-2-N
CL-4000-SHR-3-N			1.27													CL-4000-SHRB-3-N
CL-5000-SHR-1-N	5000	3/4-10	1.02	1.23	4.77	3/4	.88	3.25	2.00	3.52	1.98	4.24	1.50	.16	100	CL-5000-SHRB-1-N
CL-5000-SHR-2-N			1.52													CL-5000-SHRB-2-N

STANDARD RING, ELECTROLESS NICKEL PLATED (METRIC)

PART NO.	LOAD RATING (LBS)	A	B	C	D	E DIA	F	G	H	J	K	L	N DIA	P	INSTALLATION TORQUE (FT-LBS)	REPLACEMENT BOLT (WITH RETAINING RING)
CLM-800-SHR-2-N	800	M8	.66	.72	2.63	3/8	.44	1.62	1.00	1.82	1.02	2.35	.75	.17	7	—
CLM-1000-SHR-1-N	1000	M10	.66	.72	2.63	3/8	.44	1.62	1.00	1.82	1.10	2.35	.75	.17	12	—
CLM-2500-SHR-1-N	2300	M12	.74	1.23	4.77	3/4	.88	3.25	2.00	3.52	1.70	4.24	1.50	.16	27	—
CLM-4000-SHR-2-N	4000	M16	1.13	1.23	4.77	3/4	.88	3.25	2.00	3.52	1.86	4.24	1.50	.16	59	—

STAINLESS SWIVEL HOIST RINGS

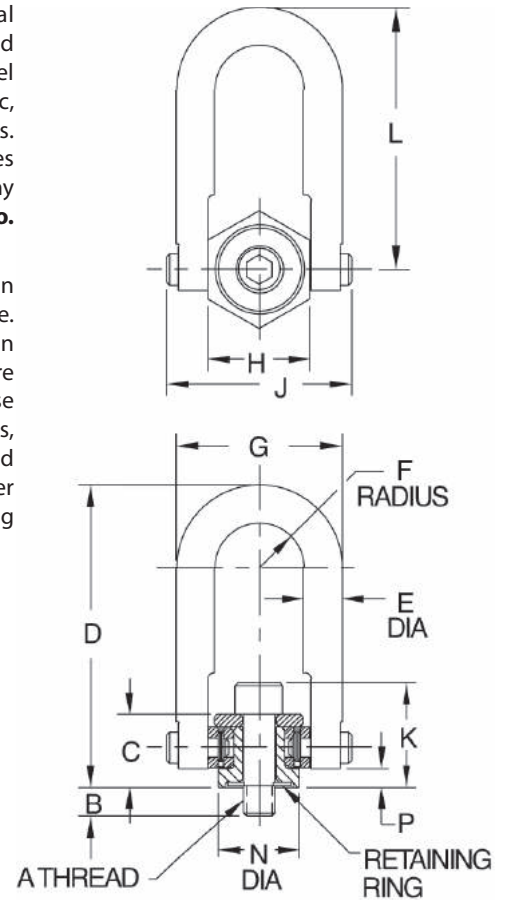
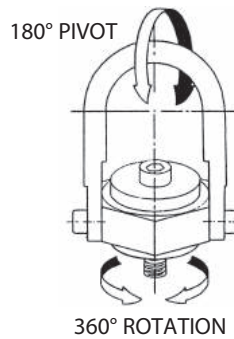
300-SERIES STAINLESS STEEL, PASSIVATED, 100% LIQUID-PENETRANT INSPECTED



Stainless Steel

Stainless steel version of our original safety-engineered hoist ring, with a load rating equal to 50% of the alloy steel version. Useful for corrosive, cryogenic, or elevated-temperature environments. Pivots 180 degrees and swivels 360 degrees simultaneously to allow lifting from any direction. Safety factor = 5:1. **Patent no. 3,297,293 and 4,705,422.**

Fasten hoist rings using the installation torque specified in the dimension table. Always install so that the hoist ring can pivot and swivel freely. Some hoist rings are available with a choice of bolt lengths. Use the shortest bolt length only for steel plates, the other lengths for weaker materials and for through-hole mounting with a washer and nut. **INFO+:** See general Hoist Ring Safety Precautions on page 74.



STANDARD RING — STAINLESS STEEL (INCH)

PART NO.	LOAD RATING (LBS)	A	B	C	D	E DIA	F	G	H	J	K	L	N DIA	P	INSTALLTION TORQUE (FT-LBS)
CL-275-SHR-1-S	275	1/4-20	.54	.71	2.67	3/8	.43	1.61	1.00	1.84	.96	2.31	.75	.17	2.5
CL-400-SHR-2-S	400	5/16-18	.54	.71	2.67	3/8	.43	1.61	1.00	1.84	.96	2.31	.75	.17	3.5
CL-500-SHR-1-S	500	3/8-16	.54	.71	2.67	3/8	.43	1.61	1.00	1.84	1.09	2.31	.75	.17	6
CL-29301-SHR-S	1250	1/2-13	1.07	.93	3.77	1/2	.70	2.40	1.49	2.58	1.43	3.31	1.25	.20	4
CL-1250-SHR-1-S	1250	1/2-13	.78	1.22	4.78	3/4	.88	3.25	1.99	3.52	1.72	4.25	1.50	.16	14
CL-1250-SHR-2-S			1.03												
CL-1250-SHR-3-S			1.28												
CL-2000-SHR-1-S	2000	5/8-11	.78	1.22	4.78	3/4	.88	3.25	1.99	3.52	1.85	4.25	1.50	.16	30
CL-2500-SHR-1-S	2500	3/4-10	1.03	1.22	4.78	3/4	.88	3.25	1.99	3.52	1.97	4.25	1.50	.16	50
CL-29102-SHR-S	3500	3/4-10	1.04	1.71	6.52	1	1.40	4.80	3.00	5.14	2.46	5.78	2.37	.24	50
CL-29103-SHR-S			1.54												
CL-29101-SHR-S			1.04												
CL-29105-SHR-S	5000	1"-8	1.29	1.71	6.52	1	1.40	4.80	3.00	5.14	2.71	5.78	2.37	.24	115
CL-29106-SHR-S			1.54												
CL-29107-SHR-S			2.29												
CL-29401-SHR-S	7500	1-1/4"-7	1.89	2.11	8.73	1-1/4	1.75	6.00	3.76	6.50	3.36	7.75	3.20	.35	235
CL-29202-SHR-S	12000	1-1/2"-6	2.70	2.81	12.47	1-3/4	2.25	8.00	4.87	8.55	4.31	11.12	4.20	.47	400
CL-29200-SHR-S	15000	2"-4-1/2	2.96	2.81	12.47	1-3/4	2.25	8.00	4.87	8.55	5.31	11.12	4.20	.47	550
CL-29503-SHR-S	25000	2-1/2"-4	4.00	4.09	16.87	2-1/4	3.00	10.50	6.52	11.67	6.59	14.50	5.75	1.12	1050
CL-29501-SHR-S		2-1/2"-8													
CL-29600-SHR-S	37500	3"-4	5.20	5.27	19.50	2-3/4	3.75	13.00	8.10	14.15	8.27	17.00	7.25	1.00	2150
CL-29701-SHR-S	50000	3-1/2"-4	7.00	6.06	22.09	3-1/4	4.00	14.50	8.60	15.90	9.56	19.25	7.75	1.09	3300

CONTINUED ON NEXT PAGE

STAINLESS SWIVEL HOIST RINGS

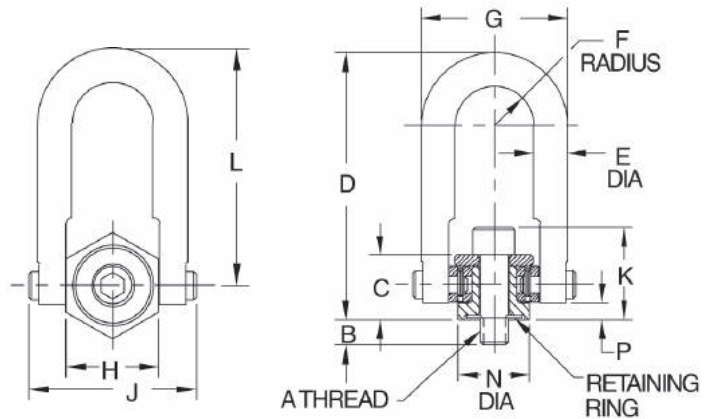
2

STANDARD RING — STAINLESS STEEL (METRIC)

PART NO.	LOAD RATING (LBS)	A	B	C	D	E DIA.	F	G	H	J	K	L	N DIA.	P	INSTALLATION TORQUE (FT-LBS)
CLM-440-SHR-2-S	440	M8	.67	.71	2.67	3/8	.43	1.61	1.00	1.84	1.03	2.31	.75	.17	3.5
CLM-500-SHR-1-S	500	M10	.67	.71	2.67	3/8	.43	1.61	1.00	1.84	1.11	2.31	.75	.17	6
CLM-1150-SHR-1-S	1150	M12	.75	1.22	4.78	3/4	.88	3.25	2.00	3.52	1.69	4.25	1.50	.16	14
CLM-2000-SHR-2-S	2000	M16	.94	1.22	4.78	3/4	.88	3.25	2.00	3.52	1.85	4.25	1.50	.16	30
CLM-2400-SHR-2-S	2400	M20	1.18	1.22	4.78	3/4	.88	3.25	2.00	3.52	2.01	4.25	1.50	.16	50
CLM-29822-SHR-S	3300	M20	1.14	1.71	6.53	1	1.40	4.77	3.00	5.14	2.50	5.78	2.31	.24	50
CLM-29824-SHR-S	4600	M24	1.34	1.71	6.53	1	1.40	4.77	3.00	5.14	2.65	5.78	2.31	.24	115
CLM-29830-SHR-S	5000	M30	2.13	1.71	6.53	1	1.40	4.77	3.00	5.14	2.89	5.78	2.31	.24	115
CLM-29840-SHR-S	7500	M30	1.81	2.11	8.73	1.25	1.75	6.00	3.76	6.50	3.29	7.75	3.20	.35	235
CLM-29842-SHR-S			2.60												
CLM-29850-SHR-S	12000	M36	2.72	2.81	12.47	1.75	2.25	8.00	4.87	8.55	4.23	11.12	4.20	.47	400
CLM-29852-SHR-S	13500	M42	3.11	2.81	12.47	1.75	2.25	8.00	4.87	8.55	4.46	11.12	4.20	.47	400
CLM-29854-SHR-S	15000	M48	3.11	2.81	12.47	1.75	2.25	8.00	4.87	8.55	4.70	11.12	4.20	.47	400
CLM-29860-SHR-S	24000	M64	4.02	4.09	16.87	2.25	3.00	10.50	6.52	11.67	6.61	14.50	5.75	1.12	1050



Long-ring version provides extra reach and allows using larger lifting hooks.



LONG RING — STAINLESS STEEL (INCH)

PART NO.	LOAD RATING (LBS)	A	B	C	D	E DIA.	F	G	H	J	K	L	N DIA.	P	INSTALLATION TORQUE (FT-LBS)
CL-29322-SHR-S	1250	1/2-13	.78	1.22	6.72	3/4	.88	3.25	1.99	3.52	1.72	6.19	1.50	.16	14
CL-29323-SHR-S			1.03												
CL-29324-SHR-S			1.28												
CL-29320-SHR-S	2000	5/8-11	1.03	1.22	6.72	3/4	.88	3.25	1.99	3.52	1.85	6.19	1.50	.16	30
CL-29321-SHR-S			1.28												
CL-29325-SHR-S	2500	3/4-10	1.03	1.22	6.72	3/4	.88	3.25	1.99	3.52	1.97	6.19	1.50	.16	50
CL-29327-SHR-S			1.53												
CL-29329-SHR-S	3500	3/4-10	1.04	1.71	8.11	1	1.40	4.80	3.00	5.14	2.46	7.38	2.37	.24	50
CL-29330-SHR-S			1.54												
CL-29328-SHR-S	4000	7/8-9	1.04	1.71	8.11	1	1.40	4.80	3.00	5.14	2.59	7.38	2.37	.24	80
CL-29331-SHR-S	5000	1"-8	1.29	1.71	8.11	1	1.40	4.80	3.00	5.14	2.71	7.38	2.37	.24	115
CL-29332-SHR-S			1.54												
CL-29333-SHR-S			2.29												

LONG RING — STAINLESS STEEL (METRIC)

CLM-29814-SHR-S	1150	M12	.75	1.22	6.72	3/4	.88	3.25	1.99	3.52	1.69	6.19	1.50	.16	14
CLM-29818-SHR-S	2000	M16	.94	1.22	6.72	3/4	.88	3.25	1.99	3.52	1.85	6.19	1.50	.16	30
CLM-29821-SHR-S	2400	M20	1.18	1.22	6.72	3/4	.88	3.25	1.99	3.52	2.01	6.19	1.50	.16	50
CLM-29823-SHR-S	3300	M20	1.14	1.71	8.11	1	1.40	4.80	3.00	5.14	2.50	7.38	2.37	.24	50
CLM-29826-SHR-S	4600	M24	1.34	1.71	8.11	1	1.40	4.80	3.00	5.14	2.65	7.38	2.37	.24	115
Please contact factory	5000	M30	2.13	1.71	8.11	1	1.40	4.80	3.00	5.14	2.89	7.38	2.37	.24	235

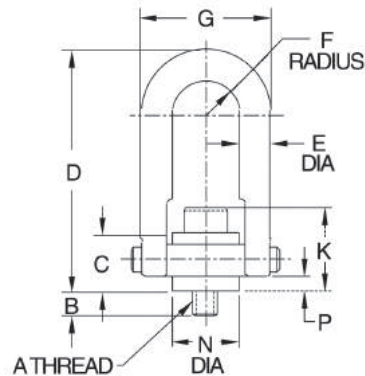
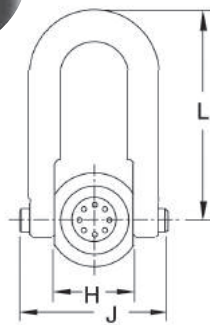
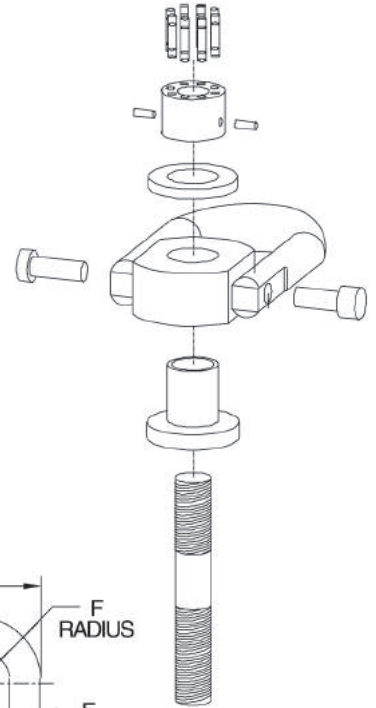
EZ-TORQUE® SWIVEL HOIST RINGS

ALLOY STEEL, HEAT TREATED, BLACK OXIDE FINISH, 100% MAGNAFLUX INSPECTED



**E-Z Torque®
Swivel Hoist Rings**

Extra-large Swivel Hoist Rings with our patented system that allows tightening several smaller bolt heads with a standard torque wrench instead of tightening one large bolt with a special tool. Swivel Hoist Rings pivot 180 degrees and swivel 360 degrees simultaneously to allow lifting from any direction. Safety factor = 5:1. Black oxide finish is standard, with cadmium plating available as a special. Available in load capacities up to 250000 lbs. **Patent no. 3,297,293, 4,705,422, and 6,199,925.** Fasten hoist rings using the installation torque specified in the dimension table. Always install so that the hoist ring can pivot and swivel freely. **INFO+:** See general Hoist Ring Safety Precautions on page 74.



INCH

PART NO.	LOAD RATING (LBS)	A	B	C	D	E DIA	F	G	H	J	K	L	N DIA	P	INSTALLATION TORQUE (FT-LBS)
CL-23490-SHR	15000	1-1/4"-7	1.89	2.11	8.73	1-1/4	1.75	6.0	3.76	6.50	3.60	7.75	3.20	.35	10
CL-23494-SHR	24000	1-1/2"-6	2.70	2.81	12.47	1-3/4	2.25	8.0	4.87	8.55	4.60	11.12	4.20	.47	18
CL-23290-SHR	30000	2"-4-1/2	2.96	2.81	12.47	1-3/4	2.25	8.0	4.87	8.55	4.60	11.12	4.20	.47	26
CL-23592-SHR	50000	2-1/2"-4	4.00	4.09	16.87	2-1/4	3.00	10.5	6.52	11.67	6.89	14.50	5.75	1.12	49
CL-23590-SHR		2-1/2"-8													
CL-23690-SHR	75000	3"-4	5.20	5.27	19.50	2-3/4	3.75	13.0	8.10	14.15	8.72	17.00	7.25	1.00	92
CL-23790-SHR	100000	3-1/2"-4	7.00	6.06	22.09	3-1/4	4.00	14.5	8.60	15.90	9.56	19.25	7.75	1.09	98
CL-23792-SHR	150000	4-1/4"-4	8.50	7.50	27.38	4	5.00	18.0	10.75	19.69	10.45	23.81	9.87	1.33	123
CL-23794-SHR	200000	5"-4	9.00	9.00	33.00	5	6.00	22.0	13.00	24.00	13.00	28.50	12.38	1.88	193
CL-23798-SHR	250000	6"-4	9.00	9.00	33.00	5	6.00	22.0	13.00	24.00	13.00	28.50	12.38	1.88	207

METRIC

PART NO.	LOAD RATING (kg)	A THREAD	THREAD PITCH (mm)	B (mm)	C (mm)	D (mm)	E DIA (mm)	F (mm)	G (mm)	H (mm)	J (mm)	K (mm)	L (mm)	N DIA (mm)	P (mm)	INSTALLATION TORQUE (N-m)
CLM-24490-SHR	7000	M30	3.5	66	53.5	222	32	44.5	152.5	95.5	165	83.5	197	81.5	8.9	13.5
CLM-24494-SHR	11000	M36	4	69	71.5	317	44.5	57	203	123.5	217	107.5	282	106.5	11.9	20.8
CLM-24498-SHR	12500	M42	4.5	79	71.5	317	44.5	57	203	123.5	217	113.5	282	106.5	11.9	21.6
CLM-24290-SHR	13500	M48	5	79	71.5	317	44.5	57	203	123.5	217	119.5	282	106.5	11.9	21.3
CLM-24592-SHR	22000	M64	6	102	104	428	57	76	267	165.5	296	168	368	146	28.4	54
CLM-24690-SHR	31500	M72	6	132	134	495	70	95	330	206	368	210	432	184	25.4	125
CLM-24790-SHR	51000	M90	6	178	154	561	82.5	101.5	368	218	404	243	489	197	27.7	133

HEAVY-DUTY® SWIVEL HOIST RINGS

ALLOY STEEL, HEAT TREATED, BLACK OXIDE FINISH, 100% MAGNAFLUX INSPECTED

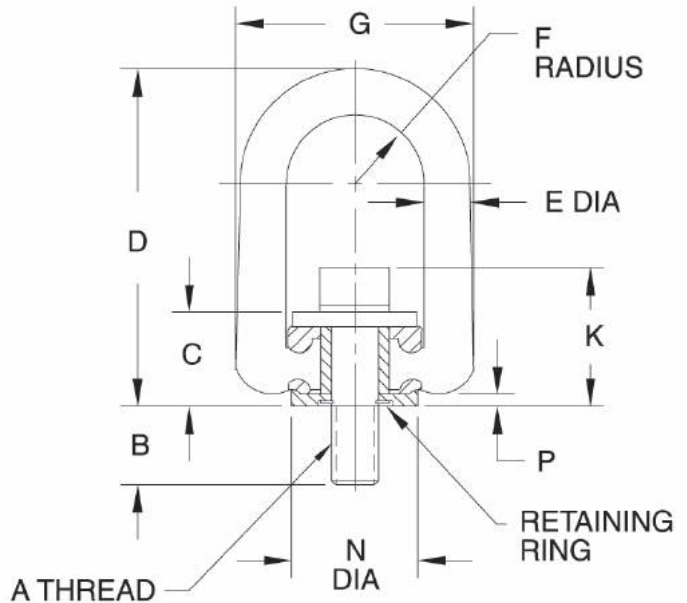
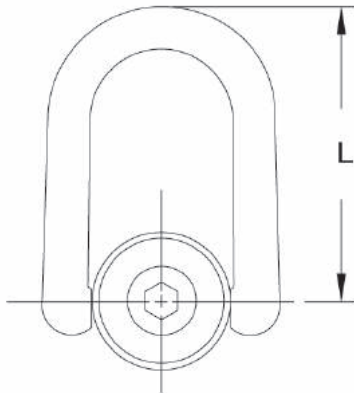
2



The next generation of Swivel Hoist Rings, with a heavy-duty forged steel ring. Pivots 180 degrees and swivels 360 degrees simultaneously to allow lifting from any direction. Safety factor = 5:1. Meets OSHA standards and Military Specification MIL-STD-1365(11) or MIL-STD-209C. **Patent no. 4,570,987 and 4,641,986, and other patents pending.**

Fasten hoist rings using the installation torque specified in the dimension table.

Always install so that the hoist ring can pivot and swivel freely. Some hoist rings are available with a choice of bolt lengths. Use the shortest bolt length only for steel plates, the other lengths for weaker materials and for through-hole mounting with a washer and nut. **INFO+:** See general Hoist Ring Safety Precautions on page 74.



STANDARD RING (INCH)

PART NO.	LOAD RATING (LBS)	A	B	C	D	E DIA	F	G	K	L	N DIA	P	INSTALLATION TORQUE (FT-LBS)	REPLACEMENT BOLT (WITH RETAINING RING)
CL-33106-SHR	10000	1"-8	1.20	2.05	7.37	1.00	1.40	5.10	3.05	6.62	2.81	.18	230	CL-33126-SHRB
CL-33105-SHR			1.45											CL-33125-SHRB
CL-33107-SHR			2.20											CL-33127-SHRB
CL-33402-SHR	15000	1-1/4"-7	1.88	2.87	9.22	1.25	2.00	6.75	4.23	8.12	3.88	.32	470	CL-33419-SHRB
CL-33401-SHR			2.63											CL-33421-SHRB
CL-33420-SHR	20000	1-3/8"-6	2.63	2.87	9.22	1.25	2.00	6.75	4.35	8.12	3.88	.32	670	CL-33429-SHRB
CL-33424-SHR	24000	1-1/2"-6	2.63	2.87	9.22	1.25	2.00	6.75	4.48	8.12	3.88	.32	800	CL-33422-SHRB
CL-33427-SHR	30000	2"-4-1/2	2.96	2.87	9.22	1.25	2.00	6.75	4.48	8.12	3.88	.32	1100	—
CL-33432-SHR		2"-8												—

HEAVY-DUTY® SWIVEL HOIST RINGS

STANDARD RING (METRIC)

PART NO.	LOAD RATING (LBS)	A	B	C	D	E DIA	F	G	K	L	N DIA	P	INSTALLATION TORQUE (FT-LBS)	REPLACEMENT BOLT (WITH RETAINING RING)
CLM-34102-SHR	9200	M24	1.10	2.05	7.37	1.00	1.40	5.10	3.00	6.62	2.81	.18	230	CLM-34121-SHRB
CLM-34103-SHR			1.50											CLM-34123-SHRB
CLM-34105-SHR	10000	M30	1.50	2.05	7.37	1.00	1.40	5.10	3.23	6.62	2.81	.18	230	CLM-34126-SHRB
CLM-34107-SHR			1.89											CLM-34127-SHRB
CLM-34401-SHR	15000	M30	2.64	2.87	9.22	1.25	2.00	6.75	4.23	8.12	3.88	.32	470	CLM-34421-SHRB
CLM-34402-SHR	24000	M36	2.64	2.87	9.22	1.25	2.00	6.75	4.48	8.12	3.88	.32	800	CLM-34422-SHRB
CLM-34403-SHR	27000	M42	3.15	2.87	9.22	1.25	2.00	6.75	4.48	8.12	3.88	.32	800	CLM-24232-SHRB
CLM-34404-SHR	30000	M48	3.15	2.87	9.22	1.25	2.00	6.75	4.48	8.12	3.88	.32	800	CLM-24225-SHRB



Optional Long-Ring Version

Long-ring version provides extra reach and allows using larger lifting hooks.

LONG RING (INCH)

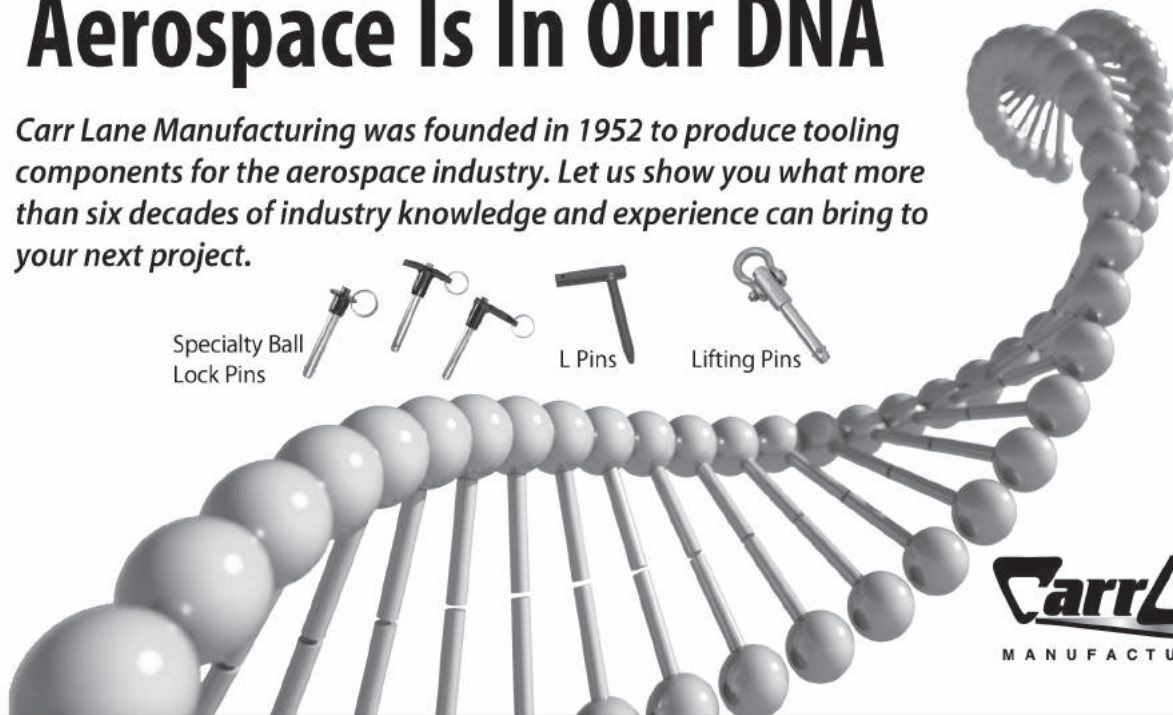
PART NO.	LOAD RATING (LBS)	A	B	C	D	E DIA	F	G	K	L	N DIA	P	INSTALLATION TORQUE (FT-LBS)	REPLACEMENT BOLT (WITH RETAINING RING)
CL-33166-SHR	10000	1"-8	1.20	2.05	9.00	1.00	1.40	5.10	3.05	8.25	2.81	.18	230	CL-33126-SHRB
CL-33165-SHR			1.45											CL-33125-SHRB
CL-33167-SHR			2.20											CL-33127-SHRB

LONG RING (METRIC)

CLM-34162-SHR	9200	M24	1.10	2.05	9.00	1.00	1.40	5.10	3.00	8.25	2.81	.18	230	CLM-34121-SHRB
CLM-34163-SHR			1.50											CLM-34123-SHRB
CLM-34165-SHR	10000	M30	1.50	2.05	9.00	1.00	1.40	5.10	3.23	8.25	2.81	.18	230	CLM-34126-SHRB
CLM-34167-SHR			1.89											CLM-34127-SHRB

Aerospace Is In Our DNA

Carr Lane Manufacturing was founded in 1952 to produce tooling components for the aerospace industry. Let us show you what more than six decades of industry knowledge and experience can bring to your next project.

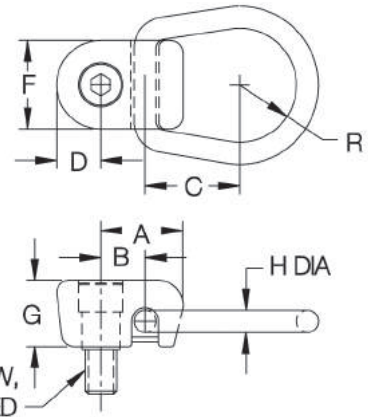


SAFETY HOIST RINGS

RING: FORGED 4130 STEEL, HEAT TREATED, BLACK OXIDE FINISH, 100% MAGNAFLUX INSPECTED
 BASE: FORGED 1045 STEEL, BLACK OXIDE FINISH



Forged base rotates 360 degrees while the solid-loop forged ring pivots 180 degrees, to allow lifting from any direction. High-strength shoulder screw furnished. Safety factor = 5:1. Fasten hoist ring using the installation torque specified in the dimension table. Always install so that the hoist ring can pivot and swivel freely. **INFO+**: See general Hoist Ring Safety Precautions on page 74.



INCH

PART NO.	LOAD RATING (LBS)	A	B	C	D	F	G	H DIA	J	K	R	INSTALLTION TORQUE (FT-LBS)	REPLACEMENT SHOULDER SCREW
CL-10-SHR	1000	1-1/8	5/8	1-1/2	5/8	1-1/4	7/8	5/16	3/8-16	5/8	13/16	7-10	CL-10-SHRB
CL-25-SHR	2500	1-5/8	7/8	1-7/8	7/8	1-3/4	1-5/16	7/16	5/8-11	7/8	1-1/8	42-50	CL-25-SHRB

METRIC

CLM-10-SHR	1000	1-1/8	5/8	1-1/2	5/8	1-1/4	7/8	5/16	M10	.59	13/16	7-10	CLM-10-SHRB
CLM-25-SHR	2500	1-5/8	7/8	1-7/8	7/8	1-3/4	1-5/16	7/16	M16	.79	1-1/8	42-50	CLM-25-SHRB

TRUSTED TO MOVE THE MOST DANGEROUS MATERIALS IN THE WORLD



We offer more hoist rings than any other manufacturer, with more than 20 different types, ranging from economical, low profile versions to heavy-duty, extra-large types with load capacities up to 250,000 lbs.

- Swivel hoist rings
- Safety hoist rings
- Pivoting hoist rings
- Lifting eyes
- Side-pull hoist rings

CarrLane
 MANUFACTURING CO.

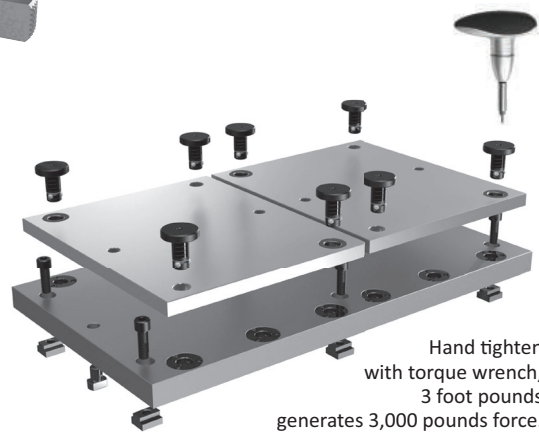


“Carr Lock® Works!”

I need a fast way to load my fixtures.

I need proven repeatability.

Carr Lock® lets me stay ahead of my competition.



Hand tighten with torque wrench, 3 foot pounds generates 3,000 pounds force.

**See Carr Lock®
in action at
carrlane.com/CarrLock
or turn to
pages 358-372**



HEAVY-DUTY® SIDE-PULL HOIST RINGS

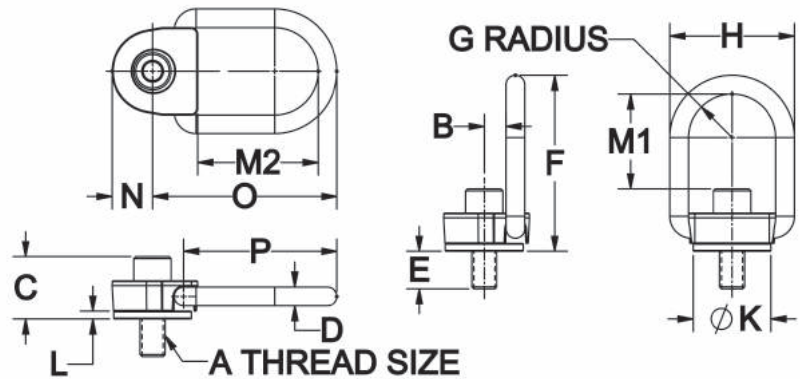
ALLOY STEEL, BLACK OXIDE FINISH, 100% MAGNAFLUX INSPECTED

2



D-Ring Type

Heavy-Duty version of our Side-Pull Hoist Rings offers greater load capacity in a given mounting-thread size. D-Ring type shown here is ideal for working with web slings. Side-Pull Hoist Rings are ideal for side mounting. Flip and turn loads without unhooking (use with a spreader bar). Forged alloy-steel ring pivots and swivels 360 degrees simultaneously to allow lifting from any direction. Safety factor = 5:1. **Patent no. 6,267,422.** Fasten hoist ring using the installation torque specified in the dimension table. Always install so that the hoist ring can pivot and swivel freely. **INFO+:** See general Hoist Ring Safety Precautions on page 74.



D-RING TYPE (INCH)

PART NO.	LOAD RATING (LBS)	A	B	C	D	E	F	G	H	K DIA	L	M1	M2	N	O	P	INSTALLTION TORQUE (FT-LBS)
CL-37305-SPHR	800	5/16-18		1.33		.48						3.18					7
CL-37310-SPHR	1000	3/8-16		1.40								3.12					12
CL-37315-SPHR	2500	1/2-13	.88	1.52	.50	.98	5.12	1.44	3.88	2.19	.23	2.99	3.43	1.25	5.48	4.61	28
CL-37320-SPHR	4000	5/8-11		1.65								2.87					60
CL-37325-SPHR	5000	3/4-10		1.77		1.23						2.74					100
CL-37330-SPHR	7000	3/4-10		2.22								3.76					100
CL-37335-SPHR	8000	7/8-9	1.25	2.35	.75	1.28	6.88	1.75	5.00	3.13	.31	3.63	4.34	1.62	7.40	6.15	160
CL-37340-SPHR	10000	1"-8		2.47		1.53						3.51					230

D-RING TYPE (METRIC)

PART NO.	LOAD RATING (kg)	A THREAD	THREAD PITCH (mm)	B (mm)	C (mm)	D (mm)	E (mm)	F (mm)	G (mm)	H (mm)	K DIA (mm)	L (mm)	M1 (mm)	M2 (mm)	N (mm)	O (mm)	P (mm)	INSTALLTION TORQUE (N-m)
CLM-37805-SPHR	400	M8	1.25		34		14						81					9.5
CLM-37810-SPHR	450	M10	1.5		36		24						79					16
CLM-37815-SPHR	1050	M12	1.75	22	38	13	39	130	37	99	56	6	77	87	32	139	117	37
CLM-37820-SPHR	1900	M16	2		42		39						73					80
CLM-37825-SPHR	2200	M20	2.5		46		39						69					135
CLM-37830-SPHR	3000	M20	2.5	32	57	19	38	175	44	127	79	8	94	110	41	188	156	135
CLM-37835-SPHR	4200	M24	3		61		43						90					311

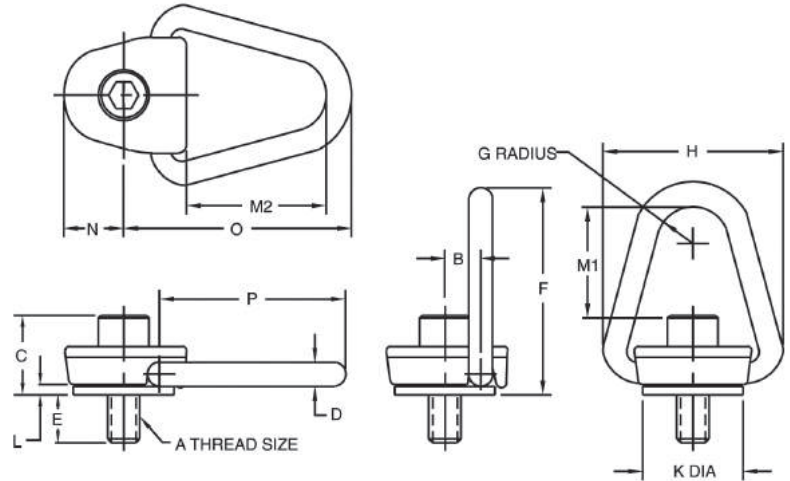
HEAVY-DUTY® SIDE-PULL HOIST RINGS

ALLOY STEEL, BLACK OXIDE FINISH, 100% MAGNAFLUX INSPECTED



Triangular-Ring Type

Heavy-Duty version of our Side-Pull Hoist Rings offers greater load capacity in a given mounting-thread size. Side-Pull Hoist Rings are ideal for side mounting. Flip and turn loads without unhooking (use with a spreader bar). Forged alloy-steel ring pivots and swivels 360 degrees simultaneously to allow lifting from any direction. Safety factor = 5:1. **Patent no. 6,267,422.** Fasten hoist ring using the installation torque specified in the dimension table. Always install so that the hoist ring can pivot and swivel freely. **INFO+:** See general Hoist Ring Safety Precautions on page 74.



TRIANGULAR-RING TYPE (INCH)

PART NO.	LOAD RATING (LBS)	A	B	C	D	E	F	G	H	K DIA	L	M1	M2	N	O	P	INSTALLATION TORQUE (FT-LBS)
CL-36305-SPHR	800	5/16-18	.88	1.33	.50	.48	4.72	.75	3.88	2.19	.22	2.89	3.19	1.25	5.12	4.25	7
CL-36310-SPHR	1000	3/8-16		1.39		2.84						12					
CL-36315-SPHR	2500	1/2-13		1.53		2.70						28					
CL-36320-SPHR	4000	5/8-11		1.64		2.92						60					
CL-36325-SPHR	5000	3/4-10	1.78	1.23	100												
CL-36330-SPHR	7000	3/4-10	1.25	2.12	.75	1.25	6.25	.88	5.25	3.25	.25	4.00	4.19	1.62	6.75	5.62	100
CL-36340-SPHR	10000	1"-8	2.38	1.50	1.50	1.50	6.25	.88	5.25	3.25	.25	3.75	4.19	1.62	6.75	5.62	230

TRIANGULAR-RING TYPE (METRIC)

PART NO.	LOAD RATING (kg)	A THREAD	THREAD PITCH (mm)	B (mm)	C (mm)	D (mm)	E (mm)	F (mm)	G (mm)	H (mm)	K DIA (mm)	L (mm)	M1 (mm)	M2 (mm)	N (mm)	O (mm)	P (mm)	INSTALLATION TORQUE (N-m)
CLM-36805-SPHR	400	M8	1.25	22	34	13	14	121	19	98	56	6	74	81	32	130	108	9.5
CLM-36810-SPHR	450	M10	1.5		36		24						16					
CLM-36815-SPHR	1050	M12	1.75		38		39						37					
CLM-36820-SPHR	1900	M16	2		42		39						80					

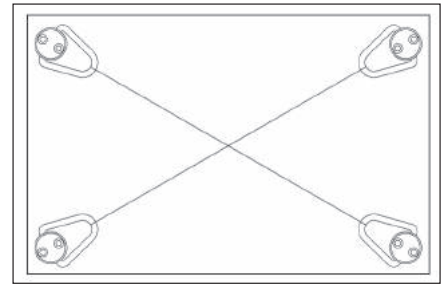
PIVOTING HOIST RINGS

RING: FORGED 4130 STEEL, HEAT TREATED, BLACK OXIDE FINISH, 100% MAGNAFLUX INSPECTED PER ASTM E-1444
 BASE: FORGED 1045 STEEL, BLACK OXIDE FINISH

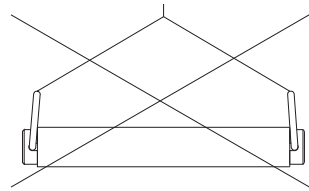
2



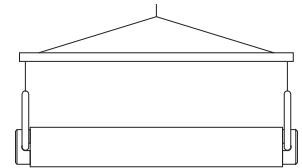
Economical hoist ring with a low profile and high load capacity. Forged base and solid-loop forged ring. Pivots a full 180 degrees, but does not rotate (install so that lifting force is applied in the pivoting direction). Safety factor = 5:1. Fasten hoist ring with grade-8 Socket-Head Cap Screws, using the installation torque specified in the dimension table. The smallest three sizes have two mounting holes, the largest two sizes have four. **INFO+**: See general Hoist Ring Safety Precautions on page 74.



Install hoist rings so that lifting force is applied in the pivoting direction.



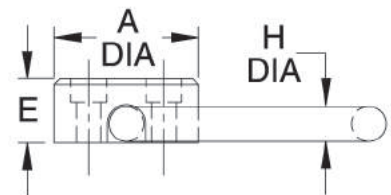
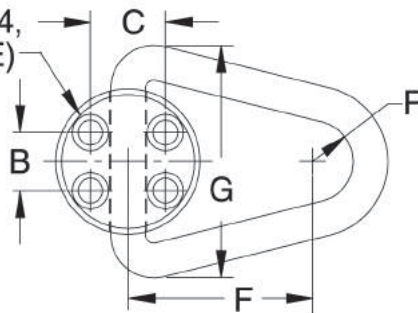
BAD



GOOD

Do not allow hoist rings to bind. Use a spreader bar, if necessary, to avoid binding.

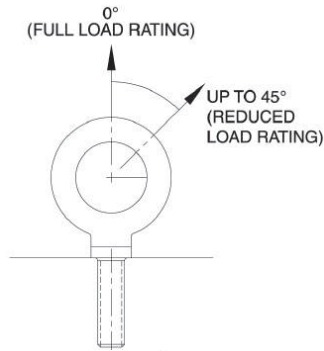
FOR D SOCKET-HEAD CAP SCREWS (2 OR 4, DEPENDING ON SIZE)



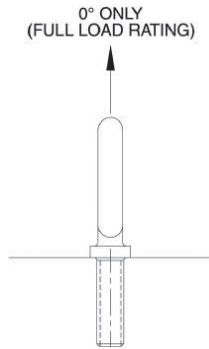
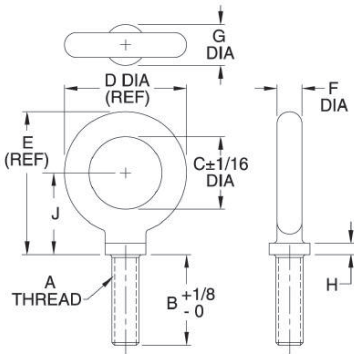
PART NO.	LOAD RATING (LBS)	A DIA	B	C	D THREAD X MIN. LENGTH	E DIA	F	G	H DIA	R	INSTALLATION TORQUE (FT-LBS)	SCREW EXTENSION BELOW BASE
CL-20-HR	2000	1-3/4	0	1	5/16-18x1.00 (or M8x25mm)	3/4	2	2-1/2	5/16	1/2	4-7	.58 (or 14mm)
CL-25-HR	2500	2-1/4		1-1/8	3/8-16x1.25 (or M10x30mm)	7/8	2-1/2	3-3/16	3/8	5/8	7-10	.79 (or 18mm)
CL-50-HR	5000	2-5/8		1-1/2	1/2-13x1.50 (or M12x40mm)	1-1/8	3	3-7/8	1/2	3/4	20-25	.90 (or 25mm)
CL-120-HR	12000	3-1/8	1-1/4	1-5/8	1/2-13x1.75 (or M12x45mm)	1-3/8	4	5	3/4	7/8	20-25	.90 (or 23mm)
CL-200-HR	20000	3-5/8		2-1/16	5/8-11x2.50 (or M16x65mm)	1-7/8	5	6-3/16	1	1	42-50	1.25 (or 33mm)

LIFTING EYES

STEEL: FORGED CARBON STEEL, QUENCHED AND DRAWN, PLAIN FINISH
 STAINLESS STEEL: FORGED 316 STAINLESS STEEL, PASSIVATED AND ELECTROPOLISHED



Angular lifting at up to 45° is allowable in this direction (plane of the eye) but load rating is reduced.



Only straight lifting is allowable in this direction.

Lifting Eyes are forged steel eyebolts with an integral shoulder for greater strength. These simple, economical lifting devices are suitable for vertical lifting in-line with the threaded bolt, such as when lifting from a single point or from two points with a spreader bar. For lifting at an angle, Swivel Hoist Rings should be used instead. Manufactured and tested according to ASTM A489 and ANSI B18.15 specifications. Safety factor = 5:1. Made in USA.

Lifting Eyes should be inspected before each use for possible defects and installed by a person trained in the installation of lifting devices. The tapped receiving hole should be countersunk, free of any debris, and deep enough to ensure proper shoulder seating. Firm hand tightening is recommended for installation; do not use wrenches or bars. Angular lifting should be avoided, because angular lifts significantly reduce rated capacity. Any angular loads must be radial in the plane of the eye, never at an angle to that plane. A steel washer or shim may be used under the shoulder to achieve proper eye orientation, but its thickness should not exceed one thread pitch. A washer may also be required to ensure flush seating on rough mounting surfaces.

Do not exceed rated load capacity. Maximum load rating applies to straight vertical lifting only. Lifting at an angle reduces load rating significantly – see table below for reduced load rating at 45° (this reduced rating should be used for any lift other than at 0° vertical). Do not work, stand, or crawl near the load of a Lifting Eye. Do not use a Lifting Eye to lift a load that can rotate; Swivel Hoist Rings should be used for such loads. Do not shock load Lifting Eyes; instead gradually increase lifting of the load to minimize load shock. Do not force hooks or any other fittings into the eye; they must fit freely. Do not weld or machine Lifting Eyes, or perform any repair. Do not expose Lifting Eyes to extreme temperatures or environmental conditions, as this may permanently reduce load capacity. Periodic inspection of installed Lifting Eyes is highly recommended. **INFO+:** Also see general Hoist Ring Safety Precautions on page 74.

STEEL (INCH)

PART NO.	A THREAD	B	C DIA	D DIA	E	F DIA	G DIA	H	J	LOAD RATING (lbs)	
										0°	45°
CL-4-LE	1/4-20	1	3/4	1-3/16	1-11/32	7/32	17/32	5/32	3/4	500	125
CL-5-LE	5/16-18	1-1/8	7/8	1-7/16	1-21/32	9/32	19/32	5/32	15/16	900	225
CL-6-LE	3/8-16	1-1/4	1	1-11/16	1-31/32	11/32	21/32	5/32	1-1/8	1300	325
CL-8-LE	1/2-13	1-1/2	1-3/16	2-1/8	2-7/16	15/32	29/32	7/32	1-3/8	2400	600
CL-10-LE	5/8-11	1-3/4	1-3/8	2-9/16	2-15/16	19/32	1-1/32	9/32	1-21/32	4000	1000
CL-12-LE	3/4-10	2	1-1/2	2-13/16	3-7/32	21/32	1-3/16	9/32	1-13/16	5000	1250
CL-16-LE	1"-8	2-1/2	1-3/4	3-19/16	4-3/32	29/32	1-9/16	13/32	2-5/16	9000	2250

STAINLESS STEEL (INCH)

CL-4-LE-316S	1/4-20	1	3/4	1-3/16	1-11/32	7/32	17/32	5/32	3/4	500	125
CL-5-LE-316S	5/16-18	1-1/8	7/8	1-7/16	1-21/32	9/32	19/32	5/32	15/16	900	225
CL-6-LE-316S	3/8-16	1-1/4	1	1-11/16	1-31/32	11/32	21/32	5/32	1-1/8	1300	325
CL-8-LE-316S	1/2-13	1-1/2	1-3/16	2-1/8	2-7/16	15/32	29/32	7/32	1-3/8	2400	600
CL-10-LE-316S	5/8-11	1-3/4	1-3/8	2-9/16	2-15/16	19/32	1-1/32	9/32	1-21/32	4000	1000

STEEL (METRIC)

PART NO.	A THREAD	THREAD PITCH (mm)	B (mm)	C DIA (mm)	D DIA (mm)	E (mm)	F DIA (mm)	G DIA (mm)	H (mm)	J (mm)	LOAD RATING (kg)	
											0°	45°
CLM-6-LE	M6	1	25.4	19	30	34	5.5	14	4	19	210	50
CLM-8-LE	M8	1.25	31.5	25	43	48	9	17	4	26	500	125
CLM-10-LE	M10	1.5	35	27	46	55	9.5	20	4	32	740	185
CLM-12-LE	M12	1.75	38	30	54	62	12	23	5.5	35	1030	255
CLM-16-LE	M16	2	44.5	35	65	76	15	26	7	44	1600	400

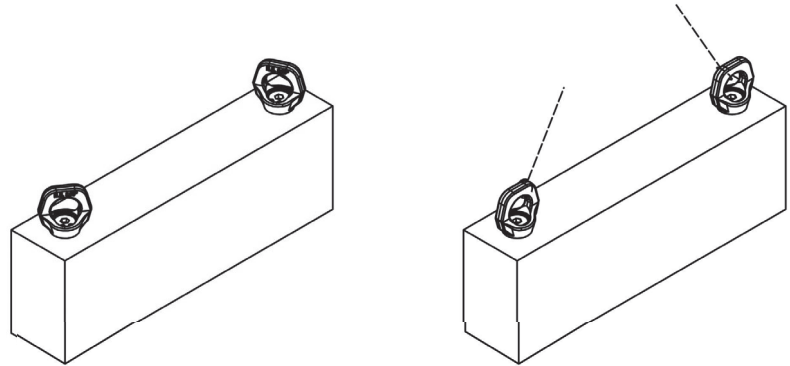
HOIST EYE 360°

BODY: HIGH-STRENGTH FORGED ALLOY STEEL, HIGH-VISIBILITY POWDER-COAT FINISH

BOLT: HIGH-STRENGTH ALLOY STEEL, CORROSION-RESISTANT PLATING

RETAINING RING: SPRING STEEL

2

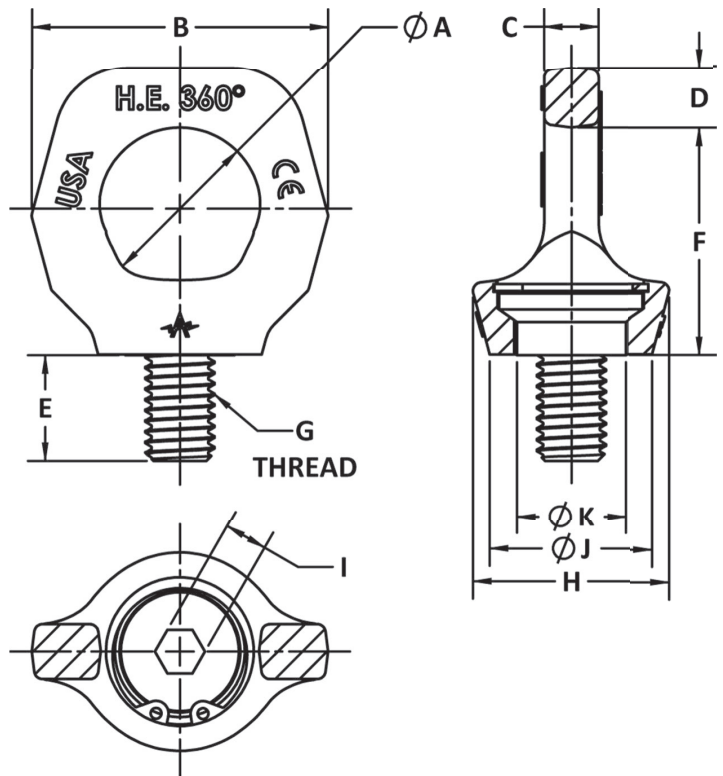


These unique lifting-eye assemblies can be rotated freely after installation, to align with the pulling direction.

New item!

Hoist Eye 360° is a forged lifting eye that can be rotated 360° after installation, to align with the pulling direction. This compact assembly features a specially designed shoulder bolt, which rotates freely in the precisely machined lifting-eye body and is held captive by a retaining ring. Unlike conventional lifting eyes, Hoist Eye 360° can be used at full rated load capacity when pulling at any angle 0 to 90° from the bolt axis. Available with thread sizes from 3/8-16 to 1"-8. Complies with ASME B30.26 specifications. 200% proof load tested and individually serialized. Safety factor = 5:1. Made in USA.

Please note, Hoist Eye 360° is suitable only for applications where all lifting-eye rotation takes place before lifting begins, with no swivel action occurring while under load. For applications that require swiveling under load, use a Swivel Hoist Ring instead. An installation key is provided to allow firm tightening by hand, which is allowable for one-time temporary lifting. For permanent installation, tighten by hex wrench to the installation torque listed in the tables below.



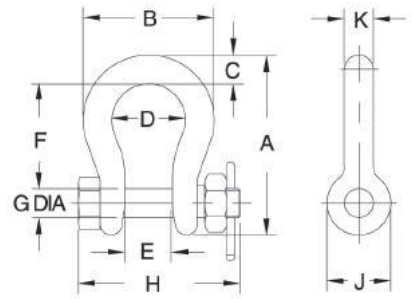
PART NO.	LOAD RATING (lbs)	G THREAD	A DIA	B	C	D	E	F	H	I HEX	J DIA	K DIA	INSTALLATION TORQUE (ft-lbs)
CL-71120-HE	880	3/8-16	.96	1.81	.36	.37	.61	1.40	1.19	7/32	1.00	.59	12
CL-71146-HE	1650	1/2-13	1.16	2.14	.39	.44	.76	1.64	1.42	5/16	1.18	.79	28
CL-71160-HE	3000	5/8-11	1.30	2.55	.55	.50	.94	1.94	1.69	3/8	1.38	.94	47
CL-71174-HE	4500	3/4-10	1.50	2.95	.63	.59	1.18	2.30	2.00	1/2	1.65	1.14	84
CL-71198-HE	7050	1"-8	1.84	3.53	.75	.72	1.5	2.82	2.35	5/8	1.97	1.34	230

HOIST RING ACCESSORIES



Forged Anchor Shackles

High-strength forged alloy-steel anchor shackle. Supplied with thin-head bolt and nut with cotter pin. Meets Federal Specification RR-C 271D, Type IVA, Grade A, Class 3. Safety factor = 6:1. Heat treated with black oxide finish. **INFO+**: See general Hoist Ring Safety Precautions on page 74.

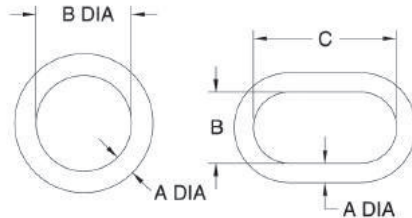


FORGED ANCHOR SHACKLES (INCH)

PART NO.	LOAD RATING (LBS)	NOMINAL SHACKLE SIZE	A	B	C	D	E	F	G DIA.	H	J	K
CL-36511-FAS	2000	3/8	2.49	1.78	.38	1.03	.66	1.44	.44	2.17	.91	3/8
CL-36521-FAS	3000	7/16	2.91	2.03	.44	1.16	.75	1.69	.50	2.51	1.06	7/16
CL-36531-FAS	4000	1/2	3.28	2.31	.50	1.31	.81	1.88	.63	2.80	1.19	1/2
CL-36541-FAS	6500	5/8	4.19	2.94	.69	1.69	1.06	2.38	.75	3.53	1.50	5/8
CL-36551-FAS	13000	7/8	5.83	4.03	.97	2.28	1.44	3.31	1.00	4.71	2.09	7/8
CL-36561-FAS	19000	1-1/8	7.47	5.16	1.25	2.91	1.81	4.25	1.25	5.09	2.69	1-1/8
CL-36571-FAS	24000	1-1/4	8.25	5.75	1.38	3.25	2.03	4.69	1.38	6.51	3.00	1-1/4



Forged Rings



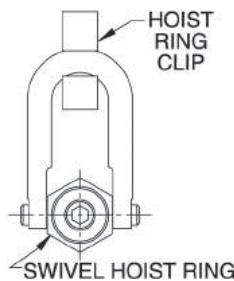
High-strength weldless forged alloy-steel ring. Safety factor = 6:1. Heat treated with black oxide finish. **INFO+**: See general Hoist Ring Safety Precautions on page 74.

FORGED RINGS

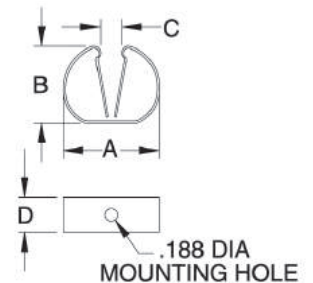
PART NO.	LOAD RATING (LBS)	A DIA.	B DIA.	C
CL-36111-FR	3800	3/8	2	—
CL-36121-FR	6100	5/8	3	—



Hoist-Ring Clips



Handy holddown clip to keep Swivel Hoist Rings and Side-Pull Hoist Rings from rotating when not in use. Spring steel, zinc plated. Available in two sizes, one fitting ring diameters from 3/8" to 5/8", the other fitting ring diameters from 3/4" to 1-1/16".



HOIST-RING CLIPS

PART NO.	FITS RING DIAMETER	A	B	C	D
CL-1-HRC	3/8, 7/16, 5/8	1-3/8	15/16	5/16	1/2
CL-2-HRC	3/4, 1-1/16	1-5/8	1-1/4	3/4	5/8

HOIST RINGS

AVAILABLE EXCLUSIVELY ONLINE AT WWW.CARRLANE.COM

The following hoist ring selections may be found online in the product catalog at carrlane.com

2



FORGED ROAD-PLATE SWIVEL HOIST RINGS*

These hoist rings have a shorter, larger-diameter bolt, ideal for lifting heavy plates. Patent no. 4,570,987, no. 4,641,986, no. 5,405,210 and others pending.



FORGED BAR-TITE™ SWIVEL HOIST RINGS*

These hoist rings have a steel bar knob for tightening with a level bar instead of a wrench. Patent no. 4,570,987, no. 4,641,986, no. 5,405,210 and others pending.



FORGED SPIN-N-LOK™ SWIVEL HOIST RINGS*

These hoist rings have a spoked lug nut for tightening without a wrench. Patent no. 4,570,987, 4,641,986, 5,405,210 and other patents pending.



FORGED WELD-MOUNT SWIVEL HOIST RINGS*

These hoist rings mounted by welding. Patent no. 4,570,987, no. 4,641,986, no. 5,405,210 and others pending.



HEAVY-DUTY SUPER-COIL™ SWIVEL HOIST RINGS*

These hoist rings are furnished with a coil bolt, and are ideal for temporary attachment to steel structures and construction material. Patent no. 4,570,987, 4,641,986, 5,405,210, 5,732,991, and others pending.



FORGED SWIVEL LIFT PLATES

These swivel hoist rings have a center through-hole instead of a bolt, for mounting with a custom anchoring system. Patent no. 4,570,987, no. 4,641,986, no. 5,405,210 and others pending.



SHACKLE HOIST RINGS*

These swivel hoist rings are designed for permanent mounting on tooling and equipment. Forged alloy-steel shackle pivots 180 degrees and swivels 360 degrees simultaneously to allow lifting from any direction. Patent no. 5,823,588.



FAST-LOK™ PLATE LIFTING SYSTEM

Plate-lifting system with a weld-on base and totally removable shackle assembly, allowing the plate surface to remain totally free of obstructions. Patent pending. FEATURES: Fast-Lok™ Clevis, Fast-Lok™ Base, Forged Anchor Shackle, Fast-Lok™ Detent Pin.



SCISSOR-LOK™ PLATE LIFTING SYSTEM

Plate-lifting system with a weld-on base and totally removable shackle assembly, allowing the plate surface to remain total free of obstructions. Patent pending, FEATURES: Scissor-Lok™ Tool, Fast-Lok™ Base, Forged Anchor Shackle, and Fast-Lok™ Detent Pin.



UNIVERSAL LIFTING RINGS

Removable hoist rings with a forged alloy-steel shackle. Each Universal Lifting Ring fits three different thread sizes. Designed for straight vertical lifting only. Patent no. 4,557,513.

HOIST RING ACCESSORIES — AVAILABLE EXCLUSIVELY ONLINE:



RENEWAL ROAD PLATES ROUND



RENEWAL ROAD PLATES SQUARE

*Forged alloy-steel shackle pivots 180 degrees and swivels 360 degrees simultaneously to allow lifting from any direction.

HANDLES, KNOBS & SCREW CLAMPS



Fluted Knobs



Four-Prong Knobs & Screw Clamps



Three-Prong Knobs



T-Handle Knobs



Bar-Handle Knobs & Screw Clamps



Knurled Knobs & Screw Clamps



Socket-Head Screw Clamps



Feet for Swivel Screws



Latch Screws



Hand Wheels



Solid Handles



Revolving Handles



Lever Handles & Crank Handles



Adjustable Lever Handles



Knob Handles

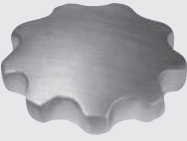








Pull Handles

HAND KNOBS








3

TYPES

	MADE IN THE USA	ALUMINUM	STEEL	CAST IRON	STAINLESS STEEL	PLASTIC
 <p>PALM-GRIP HAND KNOBS Polished full-grip hand knob. Choose from two sizes, each available blank, tapped, or reamed.</p>	X	X				
 <p>FLUTED KNOBS Large easy-grip knob that is excellent for either fine adjustment or high-torque applications.</p>	X					X
 <p>STAR KNOBS Five lobes provide a firm, sure grip for applications requiring quick tightening and high torque.</p>	X					X
 <p>HAND KNOBS – CAST IRON Classic easy-to-grip clamping knob. Choose from five sizes, each available blank, tapped, tapped through, or reamed.</p>	X			X		
 <p>HAND KNOBS – ALUMINUM Classic easy-to-grip clamping knob. Choose from five sizes, each available blank, tapped, tapped through, or reamed.</p>	X	X				
 <p>HAND KNOBS – STAINLESS STEEL High-quality beautiful polished finish. Four-prong design provides a firm grip for applications requiring quick tightening and high torque.</p>	X				X	
 <p>HAND KNOB ASSEMBLIES Classic, easy-to-grip aluminum knob with an integral steel clamping screw.</p>	X	X				

HAND KNOBS

TYPES

		MADE IN THE USA	ALUMINUM	STEEL	CAST IRON	STAINLESS STEEL	PLASTIC
	SWIVEL-WASHER HAND KNOB ASSEMBLIES Hand-knob assembly with a captive, freely rotating washer to prevent marring in clamping applications. Now available with a choice of steel or nylon washer.	X	X				
	KNOB SHOE ASSEMBLIES Features an integral steel clamping screw with a removable swivel foot. Uses our patented left-hand-thread swivel foot system.	X	X				
	FOUR PRONG KNOBS Design provides a strong grip for clamping and other applications requiring quick tightening and high torque.	X					X
	QUICK-ACTING KNOBS Slides in and out of clamping position quickly; ideal when the knob must be completely removed for loading.	X			X		
	BAR KNOBS Heavy-duty knob that can be turned easily by hand, then tightened by inserting a bar between the prongs.	X				X	
	THREE-PRONG KNOBS Modern design provides quick tightening and high torque. Textured non-slip, non-glare finish.	X					X
	T-HANDLE KNOBS Provides maximum leverage for heavy-duty clamping.	X					

PALM-GRIP HAND KNOBS

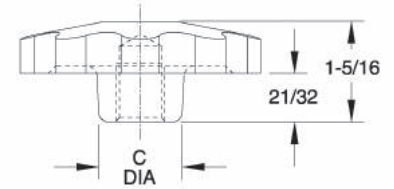
319 ALUMINUM ALLOY

3

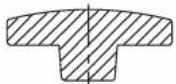
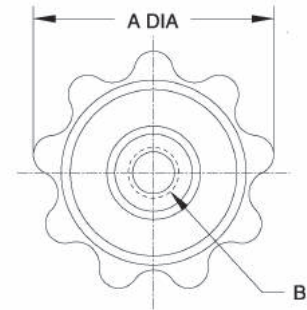


1/2-13
5/8-11
M12
M16

Polished full-grip hand knob. Choose from two knob sizes, each available blank, tapped or reamed.
Note: Catalog photos are actual size.



3/8-16
1/2-13
M10
M12



Blank



Tapped



Reamed

INCH & METRIC

PART NO.	A DIA	C DIA	HOLE TYPE	B
CL-11-PHK	2-3/4	1	BLANK	—
CL-13-PHK			TAPPED	3/8-16 X 3/4 DEEP
CL-14-PHK			TAPPED	1/2-13 X 3/4 DEEP
CLM-13-PHK			TAPPED	M10 X 3/4 DEEP
CLM-14-PHK			TAPPED	M12 X 3/4 DEEP
CL-12-PHK			REAMED	3/8 X 7/8 DEEP
CL-15-PHK			REAMED	1/2 X 7/8 DEEP
CLM-12-PHK			REAMED	10mm X 7/8 DEEP
CLM-15-PHK			REAMED	12mm X 7/8 DEEP
CL-21-PHK			3-1/8	1
CL-23-PHK	TAPPED	1/2-13 X 3/4 DEEP		
CL-24-PHK	TAPPED	5/8-11 X 3/4 DEEP		
CLM-23-PHK	TAPPED	M12 X 3/4 DEEP		
CLM-24-PHK	TAPPED	M16 X 3/4 DEEP		
CL-22-PHK	REAMED	1/2 X 7/8 DEEP		
CL-25-PHK	REAMED	5/8 X 1 DEEP		
CLM-22-PHK	REAMED	12mm X 7/8 DEEP		
CLM-25-PHK	REAMED	16mm X 1 DEEP		

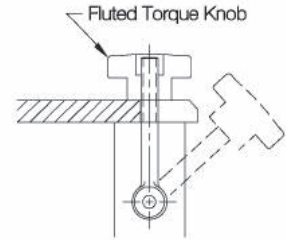
FLUTED KNOBS

BLACK PHENOLIC PLASTIC OR THERMOPLASTIC WITH BRASS INSERT



1/2-13 CL-88-PFK
5/8-11 CL-810-PFK

Large easy-grip knob that is excellent for either fine-adjustment or high-torque applications. Molded-in brass insert provides superior thread strength. Choice of four knob sizes. Non-standard thread sizes, reamed holes, or molded-in studs are available in quantities of 500 and above. Note: Catalog photos are actual size.



Phenolic — Tapped Through Hole



3/8-16 CL-66-PFK
1/2-13 CL-68-PFK
M12 CLM-612-PFK



3/8-16 CL-660-PFK

Phenolic — Tapped Short Hub



3/8-16 CL-666-PFK



3/8-16 CL-466-PFK



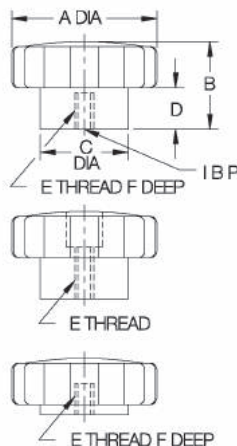
5/16-18 CL-450-PFK



1/4-20 CL-44-PFK
5/16-18 CL-45-PFK
3/8-16 CL-46-PFK
M8 CLM-48-PFK
M10 CLM-410-PFK



#10-32 CL-23-PFK
1/4-20 CL-24-PFK
5/16-18 CL-25-PFK
M6 CLM-26-PFK



PHENOLIC — TAPPED (INCH & METRIC)

PART NO.	A DIA	B	C DIA	D	E	F
CL-23-PFK	1-3/8	27/32	27/32	25/64	#10-32	5/16
CL-24-PFK					1/4-20	
CL-25-PFK					5/16-18	
CLM-26-PFK					M6	
CL-44-PFK	1-3/4	1-1/16	1-1/16	1/2	1/4-20	7/16
CL-45-PFK					5/16-18	
CL-46-PFK					3/8-16	
CLM-48-PFK					M8	
CLM-410-PFK	2-3/8	1-5/16	1-1/4	5/8	M10	5/8
CL-66-PFK					3/8-16	
CL-68-PFK					1/2-13	
CLM-612-PFK					M12	
CL-88-PFK	3-1/4	1-25/32	2	7/8	1/2-13	3/4
CL-810-PFK					5/8-11	

PHENOLIC — TAPPED THROUGH HOLE (INCH)

CL-450-PFK	1-3/4	61/64	1-1/16	1/2	5/16-18	5/8
CL-660-PFK	2-3/8	1-9/32	1-1/4	5/8	3/8-16	5/8

PHENOLIC — TAPPED, SHORT HUB (INCH)

CL-466-PFK	1-3/4	11/16	3/4	1/8	3/8-16	3/8
CL-666-PFK	2-3/8	13/16	3/4	1/8	3/8-16	1/2

FLUTED KNOBS

BLACK THERMOPLASTIC OR PHENOLIC PLASTIC WITH BRASS INSERT

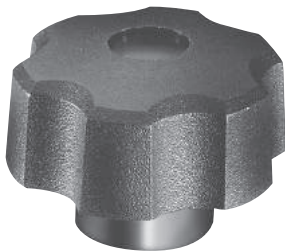
Thermoplastic — Tapped



5/16-18 CL-750-PFK
3/8-16 CL-760-PFK



5/16-18 CL-550-PFK
3/8-16 CL-560-PFK



1/4-20 CL-340-PFK
5/16-18 CL-350-PFK

INFO+: Thermoplastic version of the Fluted Knobs on page 97, with a textured non-slip, non-glare finish. Choice of three knob sizes. Molded-in brass insert provides superior thread strength. Non-standard thread sizes, reamed holes, molded-in studs, or special colors are available in quantities of 500 and above. Note: Catalog photos are actual size.

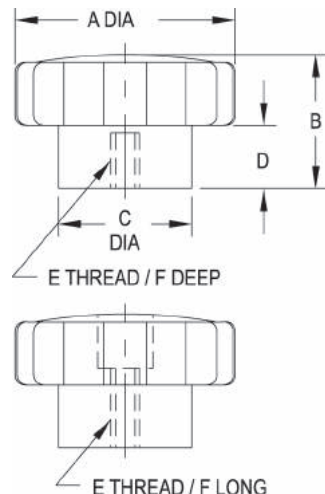
Thermoplastic — Tapped Through Hole



5/16-18 CL-551-PFK
3/8-16 CL-561-PFK



1/4-20 CL-341-PFK
5/16-18 CL-351-PFK



THERMOPLASTIC — TAPPED

PART NO.	A DIA	B	C DIA	D	E	F
CL-340-PFK	1-1/2	1	3/4	3/8	1/4-20	5/8
CL-350-PFK					5/16-18	
CL-550-PFK	2-5/32	1-1/8	3/4	3/8	5/16-18	3/4
CL-560-PFK					3/8-16	
CL-750-PFK	3-1/4	1-5/8	2	3/4	5/16-18	3/4
CL-760-PFK					3/8-16	

THERMOPLASTIC — TAPPED THROUGH HOLE

PART NO.	A DIA	B	C DIA	D	E	F
CL-341-PFK	1-1/2	1	3/4	3/8	1/4-20	5/8
CL-351-PFK					5/16-18	
CL-551-PFK	2-5/32	1-1/8	3/4	3/8	5/16-18	7/8
CL-561-PFK					3/8-16	

STAR KNOBS

BLACK THERMOPLASTIC OR CUSHION-GRIP PLASTIC WITH BRASS INSERT

Thermoplastic — Tapped



1/4-20 CL-632-SK
5/16-18 CL-642-SK
3/8-16 CL-652-SK

Thermoplastic — Tapped Through Hole



1/4-20 CL-636-SK
5/16-18 CL-646-SK
3/8-16 CL-656-SK

Cushion Grip — Tapped



5/16-18 CL-755-SK
3/8-16 CL-765-SK

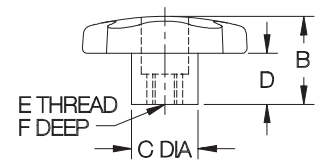
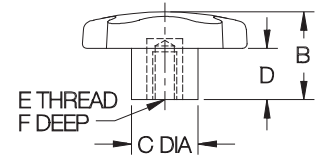
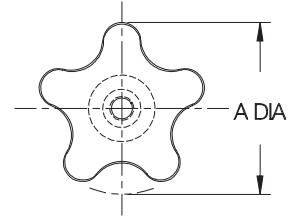


1/4-20 CL-545-SK
5/16-18 CL-555-SK
3/8-16 CL-565-SK



1/4-20 CL-345-SK
5/16-18 CL-355-SK

Star Knobs have five lobes to provide a firm, sure grip for applications requiring quick tightening and high torque. Smooth, rounded lobes prevent snagging. Thermoplastic version has a textured, non-slip, non-glare finish. Cushion-Grip version is made from a unique material that feels soft to the touch, comfortable yet rugged. Molded-in brass insert provides superior thread strength. Non-standard thread sizes, reamed holes, molded-in studs, or special colors are available in quantities of 500 and above. Note: Catalog photos are actual size.



THERMOPLASTIC — TAPPED

PART NO.	A DIA	B	C DIA	D	E	F
CL-632-SK	2-1/4	1	7/8	1/2	1/4-20	1/2
CL-642-SK					5/16-18	5/8
CL-652-SK					3/8-16	1/2

THERMOPLASTIC — TAPPED THROUGH HOLE

PART NO.	A DIA	B	C DIA	D	E	F
CL-636-SK	2-1/4	1	7/8	1/2	1/4-20	5/8
CL-646-SK					5/16-18	
CL-656-SK					3/8-16	

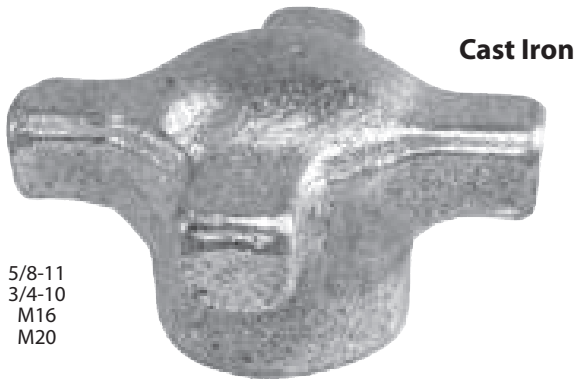
CUSHION GRIP — TAPPED

PART NO.	A DIA	B	C DIA	D	E	F
CL-345-SK	1-1/2	1-3/32	11/16	15/64	1/4-20	5/8
CL-355-SK					5/16-18	
CL-545-SK	2	1-3/8	3/4	33/64	1/4-20	5/8
CL-555-SK					5/16-18	
CL-565-SK					3/8-16	
CL-755-SK					5/16-18	
CL-765-SK	2-3/8	1-5/8	3/4	11/16	3/8-16	5/8

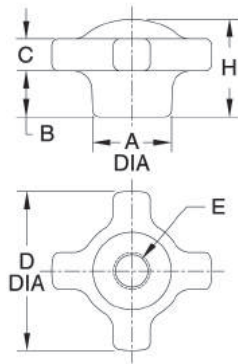
HAND KNOBS

CAST IRON, ZINC PLATED CLEAR CHROMATE

3



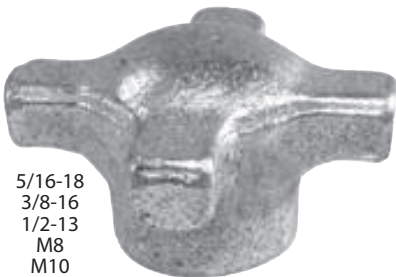
5/8-11
3/4-10
M16
M20



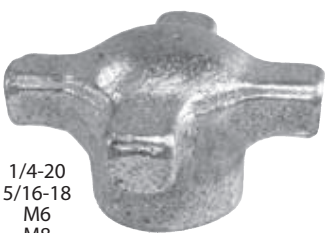
Classic easy-to-grip clamping knob, available in cast iron (shown here) or aluminum. Choose from five cast iron knob sizes, available blank, tapped, or tapped through. Note: catalog photos are actual size.



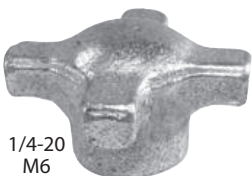
1/2-13
5/8-11
M12
M16



5/16-18
3/8-16
1/2-13
M8
M10
M12



1/4-20
5/16-18
M6
M8



1/4-20
M6

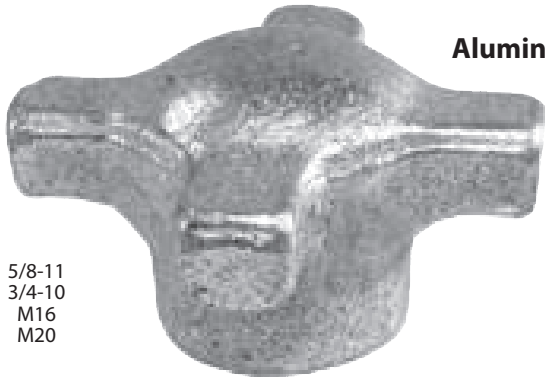
CAST IRON (INCH & METRIC)

PART NO. CAST IRON	D DIA	A DIA	B	C	H	HOLE TYPE	E					
CL-85-HK-8	1-1/8	9/16	5/16	5/16	7/8	BLANK	—					
CL-80-HK-8						TAPPED	1/4-20 x 1/2 DEEP					
CLM-80-HK-8						TAPPED	M6 x 1/2 DEEP					
CL-8-HK-8						TAPPED THROUGH	1/4-20					
CLM-8-HK-8						TAPPED THROUGH	M6					
CL-25-HK-2	1-3/4	3/4	1/2	3/8	1-1/8	BLANK	—					
CL-10-HK-2						TAPPED	1/4-20 x 7/8 DEEP					
CL-20-HK-2						TAPPED	5/16-18 x 7/8 DEEP					
CLM-10-HK-2						TAPPED	M6 x 7/8 DEEP					
CLM-20-HK-2						TAPPED	M8 x 7/8 DEEP					
CL-1-HK-2						TAPPED THROUGH	1/4-20					
CL-2-HK-2						TAPPED THROUGH	5/16-18					
CLM-1-HK-2						TAPPED THROUGH	M6					
CLM-2-HK-2						TAPPED THROUGH	M8					
CL-45-HK-4						2-1/8	1	5/8	7/16	1-3/8	BLANK	—
CL-20-HK-4	TAPPED	5/16-18 x 1 DEEP										
CL-30-HK-4	TAPPED	3/8-16 x 1 DEEP										
CL-40-HK-4	TAPPED	1/2-13 x 1 DEEP										
CLM-20-HK-4	TAPPED	M8 x 1 DEEP										
CLM-30-HK-4	TAPPED	M10 x 1 DEEP										
CLM-40-HK-4	TAPPED	M12 x 1 DEEP										
CL-2-HK-4	TAPPED THROUGH	5/16-18										
CL-3-HK-4	TAPPED THROUGH	3/8-16										
CL-4-HK-4	TAPPED THROUGH	1/2-13										
CLM-2-HK-4	TAPPED THROUGH	M8										
CLM-3-HK-4	TAPPED THROUGH	M10										
CLM-4-HK-4	TAPPED THROUGH	M12										
CL-105-HK-10	2-1/2	1-1/8	1	1/2	1-5/8						BLANK	—
CL-90-HK-9											TAPPED	1/2-13 x 1-1/4 DEEP
CL-100-HK-10						TAPPED	5/8-11 x 1-1/4 DEEP					
CLM-90-HK-9						TAPPED	M12 x 1-1/4 DEEP					
CL-9-HK-9						TAPPED THROUGH	1/2-13					
CL-10-HK-10						TAPPED THROUGH	5/8-11					
CLM-9-HK-9						TAPPED THROUGH	M12					
CLM-10-HK-10	TAPPED THROUGH	M16										
CL-65-HK-6	2-3/4	1-3/8	3/4	1/2	1-1/2	BLANK	—					
CL-50-HK-6						TAPPED	5/8-11 x 1-1/8 DEEP					
CL-60-HK-6						TAPPED	3/4-10 x 1-1/8 DEEP					
CLM-50-HK-6						TAPPED	M16 x 1-1/8 DEEP					
CLM-60-HK-6						TAPPED	M20 x 1-1/8 DEEP					
CL-5-HK-6						TAPPED THROUGH	5/8-11					
CL-6-HK-6						TAPPED THROUGH	3/4-10					
CLM-5-HK-6						TAPPED THROUGH	M16					
CLM-6-HK-6						TAPPED THROUGH	M20					

HAND KNOBS

319 ALUMINUM ALLOY

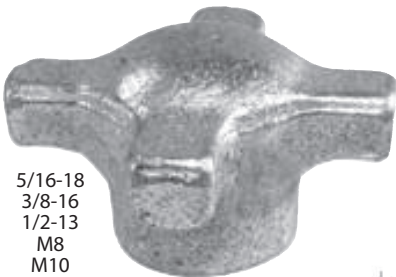
Aluminum



5/8-11
3/4-10
M16
M20



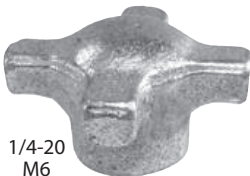
1/2-13
5/8-11
M12
M16



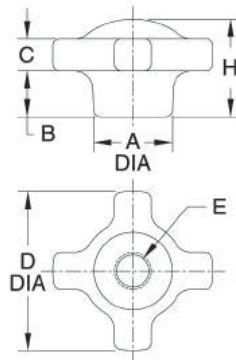
5/16-18
3/8-16
1/2-13
M8
M10
M12



1/4-20
5/16-18
M6
M8



1/4-20
M6



Classic easy-to-grip clamping knob, available in aluminum (shown here) or cast iron. Choose from five knob sizes, each available blank, tapped, tapped through, or reamed. Note: catalog photos are actual size.



Blank **Tapped** **Tapped Through** **Reamed**

ALUMINUM (INCH & METRIC)

PART NO. ALUMINUM	D DIA	A DIA	B	C	H	HOLE TYPE	E
CL-85-HK-8A	1-1/8	9/16	5/16	5/16	7/8	BLANK	—
CL-80-HK-8A						TAPPED	1/4-20 x 1/2 DEEP
CLM-80-HK-8A						TAPPED	M6 x 1/2 DEEP
CL-8-HK-8A						TAPPED THROUGH	1/4-20
CLM-8-HK-8A						TAPPED THROUGH	M6
CL-28-HK-8A						REAMED	1/4 x 1/2 DEEP
CLM-28-HK-8A	REAMED	6mm x 1/2 DEEP					
CL-25-HK-2A	1-3/4	3/4	1/2	3/8	1-1/8	BLANK	—
CL-10-HK-2A						TAPPED	1/4-20 x 7/8 DEEP
CL-20-HK-2A							5/16-18 x 7/8 DEEP
CLM-10-HK-2A							M6 x 7/8 DEEP
CLM-20-HK-2A							M8 x 7/8 DEEP
CL-1-HK-2A						TAPPED THROUGH	1/4-20
CL-2-HK-2A							5/16-18
CLM-1-HK-2A							M6
CLM-2-HK-2A							M8
CL-21-HK-2A						REAMED	1/4 x 7/8 DEEP
CL-22-HK-2A							5/16 x 7/8 DEEP
CLM-21-HK-2A							6mm x 7/8 DEEP
CLM-22-HK-2A	8mm x 7/8 DEEP						
CL-45-HK-4A	2-1/8	1	5/8	7/16	1-3/8	BLANK	—
CL-20-HK-4A						TAPPED	5/16-18 x 1 DEEP
CL-30-HK-4A							3/8-16 x 1 DEEP
CL-40-HK-4A							1/2-13 x 1 DEEP
CLM-20-HK-4A							M8 x 1 DEEP
CLM-30-HK-4A							M10 x 1 DEEP
CLM-40-HK-4A							M12 x 1 DEEP
CL-2-HK-4A						TAPPED THROUGH	5/16-18
CL-3-HK-4A							3/8-16
CL-4-HK-4A							1/2-13
CLM-2-HK-4A							M8
CLM-3-HK-4A							M10
CLM-4-HK-4A	M12						
CL-23-HK-4A	REAMED	3/8 x 1 DEEP					
CL-24-HK-4A		1/2 x 1 DEEP					
CLM-23-HK-4A		10mm x 1 DEEP					
CLM-24-HK-4A		12mm x 1 DEEP					
CL-105-HK-10A	2-1/2	1-1/8	1	1/2	1-5/8	BLANK	—
CL-90-HK-9A						TAPPED	1/2-13 x 1-1/4 DEEP
CL-100-HK-10A							5/8-11 x 1-1/4 DEEP
CLM-90-HK-9A							M12 x 1-1/4 DEEP
CLM-100-HK-10A							M16 x 1-1/4 DEEP
CL-9-HK-9A						TAPPED THROUGH	1/2-13
CL-10-HK-10A							5/8-11
CLM-9-HK-9A							M12
CLM-10-HK-10A							M16
CL-29-HK-9A						REAMED	1/2 x 1-1/4 DEEP
CL-31-HK-10A							5/8 x 1-1/4 DEEP
CLM-29-HK-9A							12mm x 1-1/4 DEEP
CLM-31-HK-10A	16mm x 1-1/4 DEEP						
CL-65-HK-6A	2-3/4	1-3/8	3/4	1/2	1-1/2	BLANK	—
CL-50-HK-6A						TAPPED	5/8-11 x 1-1/8 DEEP
CL-60-HK-6A							3/4-10 x 1-1/8 DEEP
CLM-50-HK-6A							M16 x 1-1/8 DEEP
CLM-60-HK-6A							M20 x 1-1/8 DEEP
CL-5-HK-6A						TAPPED THROUGH	5/8-11
CL-6-HK-6A							3/4-10
CLM-5-HK-6A							M16
CLM-6-HK-6A							M20
CL-25-HK-6A						REAMED	5/8 x 1-1/8 DEEP
CL-26-HK-6A							3/4 x 1-1/8 DEEP
CLM-25-HK-6A							16mm x 1-1/8 DEEP
CLM-26-HK-6A	20mm x 1-1/8 DEEP						

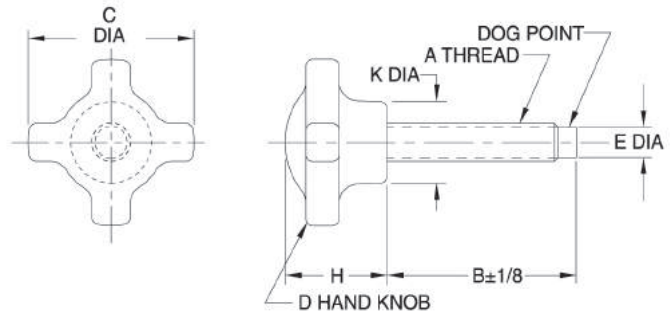
HAND KNOB ASSEMBLIES

KNOB: 319 ALUMINUM ALLOY
SCREW: 12L14 STEEL, ZINC PLATED CLEAR CHROMATE



3

Classic, easy-to-grip aluminum knob with an integral steel clamping screw. Four-prong design provides a firm grip for applications requiring quick tightening and high torque. Choice of three knob sizes. Available in thread sizes from 1/4-20 to 3/4-10 (M6 to M20 in metric), most in a choice of several thread lengths. **INFO+**: See page 101 for additional hand-knob dimensions.



INCH

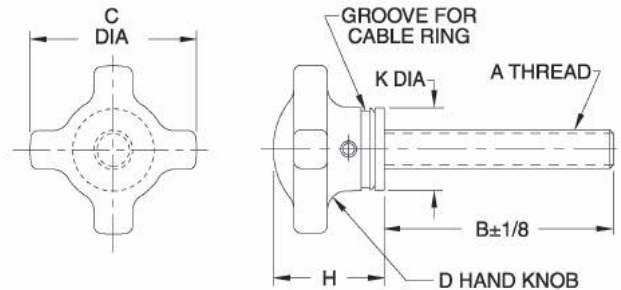
PART NO.	A	B	C DIA	D	E DIA	H	K DIA
CL-1-HK2T	1/4-20	1	1-3/4	CL-25-HK-2A	.15	1-1/8	3/4
CL-2-HK2T		1-1/2					
CL-2A-HK2T		2					
CL-2B-HK2T	5/16-18	3	1-3/4	CL-25-HK-2A	.20	1-1/8	3/4
CL-3A-HK2T		1					
CL-3-HK2T		1-3/4					
CL-4-HK2T	3/8-16	2-1/2	2-1/8	CL-45-HK-4A	.25	1-3/8	1
CL-4A-HK2T		3					
CL-5A-HK4T		1					
CL-5B-HK4T	1/2-13	1-1/2	2-1/8	CL-45-HK-4A	.34	1-3/8	1
CL-5-HK4T		2					
CL-6-HK4T		2-1/2					
CL-6A-HK4T	5/8-11	3	2-3/4	CL-65-HK-6A	.46	1-1/2	1-3/8
CL-7A-HK4T		1					
CL-7B-HK4T		1-1/2					
CL-7C-HK4T	3/4-10	2	2-3/4	CL-65-HK-6A	.56	1-1/2	1-3/8
CL-7-HK4T		2-1/2					
CL-8-HK4T		3					
CL-9-HK6T	M6	1-3/4	2-3/4	CL-65-HK-6A	.47	1-1/2	1-3/8
CL-10-HK6T		3					
CL-12-HK6T		3					

METRIC

PART NO.	A	B	C DIA	D	E DIA	H	K DIA
CLM-1-HK2T	M6	.98	1-3/4	CL-25-HK-2A	.17	1-1/8	3/4
CLM-2-HK2T		1.57					
CLM-3A-HK2T		.98					
CLM-3-HK2T	M8	1.77	1-3/4	CL-25-HK-2A	.23	1-1/8	3/4
CLM-4-HK2T		2.56					
CLM-5A-HK4T		.98					
CLM-5B-HK4T	M10	1.57	2-1/8	CL-45-HK-4A	.27	1-3/8	1
CLM-5-HK4T		1.97					
CLM-6-HK4T		2.56					
CLM-7A-HK4T	M12	.98	2-1/8	CL-45-HK-4A	.35	1-3/8	1
CLM-7B-HK4T		1.57					
CLM-7C-HK4T		1.97					
CLM-7-HK4T	M16	2.56	2-3/4	CL-65-HK-6A	.47	1-1/2	1-3/8
CLM-8-HK4T		2.95					
CLM-9-HK6T		1.77					
CLM-10-HK6T	M20	2.95	2-3/4	CL-65-HK-6A	.59	1-1/2	1-3/8
CLM-12-HK6T		2.95					

SWIVEL-WASHER HAND KNOB ASSEMBLIES

KNOB: 319 ALUMINUM ALLOY
 SCREW: 12L14 STEEL, BLACK OXIDE FINISH.
 WASHER: MILD STEEL



Hand-knob assembly with a captive, freely rotating washer to prevent marring in clamping applications. Four-prong design provides a firm grip for applications requiring quick tightening and high torque. Plain-end screw with no dogpoint. Choice of three knob sizes. Available in thread sizes from 1/4-20 to 3/4-10, most in a choice of several thread lengths. **INFO+**: See page 101 for additional hand-knob dimensions.

ASSEMBLY WITH STEEL WASHER (INCH)

PART NO.	A	B	C DIA	D	H	K DIA	CABLE RING SIZE
CL-1-SHK2T	1/4-20	1	1-3/4	CL-25-HK-2A	1.33	3/4	CL-11-KR
CL-2-SHK2T		1-1/2					
CL-2A-SHK2T		2					
CL-2B-SHK2T		3					
CL-3A-SHK2T	5/16-18	1	1-3/4	CL-25-HK-2A	1.34	3/4	CL-11-KR
CL-3-SHK2T		1-3/4					
CL-4-SHK2T		2-1/2					
CL-4A-SHK2T		3					
CL-5A-SHK4T	3/8-16	1	2-1/8	CL-45-HK-4A	1.47	1	CL-14-KR
CL-5B-SHK4T		1-1/2					
CL-5-SHK4T		2					
CL-6-SHK4T		2-1/2					
CL-6A-SHK4T	1/2-13	3	2-1/8	CL-45-HK-4A	1.53	1	CL-14-KR
CL-7A-SHK4T		1					
CL-7B-SHK4T		1-1/2					
CL-7C-SHK4T		2					
CL-7-SHK4T	1/2-13	2-1/2	2-1/8	CL-45-HK-4A	1.53	1	CL-14-KR
CL-8-SHK4T		3					
CL-9-SHK6T	5/8-11	1-3/4	2-3/4	CL-65-HK-6A	1.66	1-3/8	CL-19-KR
CL-10-SHK6T		3					
CL-12-SHK6T	3/4-10	3	2-3/4	CL-65-HK-6A	1.77	1-3/8	CL-19-KR

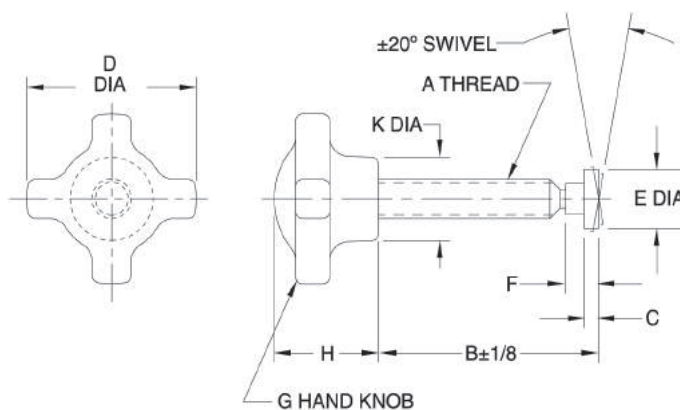
ASSEMBLY WITH NYLON WASHER (INCH)

PART NO.	A	B	C DIA	D	H	K DIA	CABLE RING SIZE
CL-1-SHK2TN	1/4-20	1	1-3/4	CL-25-HK-2A	1.33	3/4	CL-11-KR
CL-2-SHK2TN		1-1/2					
CL-3-SHK2TN	5/16-18	1-3/4	1-3/4	CL-25-HK-2A	1.34	3/4	CL-11-KR
CL-5A-SHK4TN	3/8-16	1	2-1/8	CL-45-HK-4A	1.47	1	CL-14-KR
CL-7A-SHK4TN	1/2-13	1					
CL-7B-SHK4TN		1-1/2	1-1/2	2-1/8	CL-45-HK-4A	1.53	1

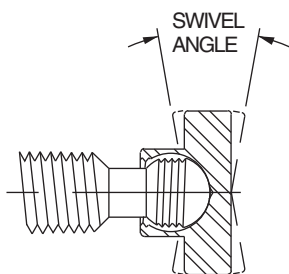
KNOB SHOE ASSEMBLIES

KNOB: 319 ALUMINUM ALLOY
 SCREW: 12L14 STEEL, BLACK OXIDE FINISH OR ZINC PLATED CLEAR CHROMATE
 FOOT: 12L14 STEEL, BLACK OXIDE FINISH OR ZINC PLATED YELLOW CHROMATE (OR DELRIN®)

3



This hand-knob assembly features an integral steel clamping screw with a removable swivel foot. Four-prong design provides a firm grip for applications requiring quick tightening and high torque. Choice of four knob sizes. Available in thread sizes from 1/4-20 to 3/4-10 (M6 to M20 in metric), most in a choice of several thread lengths. **INFO+**: See page 101 for additional hand-knob dimensions.



Knob Shoe Assemblies use our patented left-hand-thread swivel-foot system. The ball end of the body screws into the foot for easy installation and removal. Once the ball threads pass beyond the foot threads, the foot can rotate and pivot freely (20° total angle). Foot threads are left-hand to positively prevent accidental backout during use. Delrin® feet are optional. To order with a Delrin® foot, add "N" to the part number, e.g. CL-1-KSAN. Note: Delrin® feet are not threaded – they snap on and off. **INFO+**: For other foot types, see Feet for Swivel Screws on page 119 (order separately).

INCH

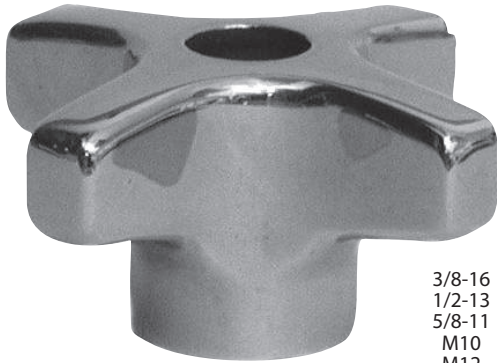
PART NO.	A	B	C	D DIA	E DIA	F	G	H	K DIA
CL-1-KSA	1/4-20	1-1/4	1/8	1-1/8	3/8	5/16	CL-85-HK-8A	7/8	9/16
CL-2-KSA		2							
CL-2A-KSA	1/4-20	2	1/8	1-3/4	3/8	5/16	CL-25-HK-2A	1-1/8	3/4
CL-3-KSA	5/16-18	1-1/2	5/32	1-3/4	1/2	11/32	CL-25-HK-2A	1-1/8	3/4
CL-4-KSA		2-1/4							
CL-4A-KSA		2							
CL-5-KSA	3/8-16	2-1/16	3/16	2-1/8	9/16	7/16	CL-45-HK-4A	1-3/8	1
CL-6-KSA		2-13/16							
CL-7-KSA		3-9/16							
CL-8-KSA		2-13/16							
CL-9-KSA	1/2-13	3-9/16	7/32	2-3/4	15/16	33/64	CL-65-HK-6A	1-1/2	1-3/8
CL-10-KSA		4-5/16							
CL-11-KSA	5/8-11	3-5/16	7/32	2-3/4	15/16	33/64	CL-65-HK-6A	1-1/2	1-3/8
CL-13-KSA		4-13/16							
CL-14-KSA	3/4-10	3-5/16	7/32	2-3/4	15/16	33/64	CL-65-HK-6A	1-1/2	1-3/8
CL-16-KSA		4-13/16							

METRIC

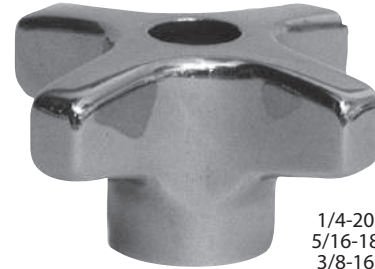
PART NO.	A	B	C	D DIA	E DIA	F	G	H	K DIA
CLM-1-KSA	M6	.98	1/8	1-1/8	3/8	5/16	CL-85-HK-8A	7/8	9/16
CLM-2-KSA		1.97							
CLM-3-KSA	M8	1.57	5/32	1-3/4	1/2	11/32	CL-25-HK-2A	1-1/8	3/4
CLM-4-KSA		2.36							
CLM-5-KSA	M10	1.97	3/16	2-1/8	9/16	7/16	CL-45-HK-4A	1-3/8	1
CLM-6-KSA		3.54							
CLM-7-KSA		2.76							
CLM-8-KSA		4.33							
CLM-9-KSA	M16	3.15	7/32	2-3/4	5/16	33/64	CL-65-HK-6A	1-1/2	1-3/8
CLM-10-KSA		4.72							

HAND KNOBS – STAINLESS STEEL

300-SERIES STAINLESS STEEL



3/8-16
1/2-13
5/8-11
M10
M12
M16

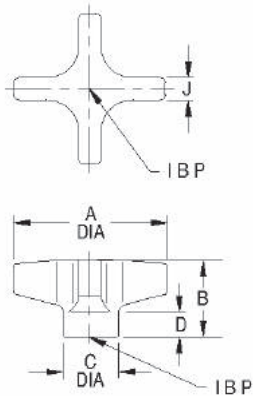


1/4-20
5/16-18
3/8-16
M6
M8
M10

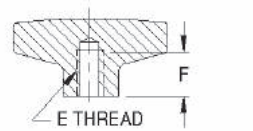
3

High-quality, stainless steel knob with a beautiful polished finish. Four-prong design provides a firm grip for applications requiring quick tightening and high torque. Choose from two knob sizes, each available blank, tapped, tapped through, or reamed. Note: Catalog photos are actual size.

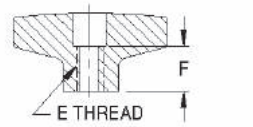
Blank



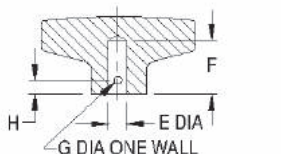
Tapped



Tapped Through Hole



Reamed



INCH & METRIC

PART NO.	A DIA	B	C DIA	D	HOLE TYPE	E	F	G	H	J
CL-200-HK-S	2	1.02	.78	.34	BLANK	—	—	—	—	.33
CL-240-HK-S					TAPPED	1/4-20	11/16	—	—	
CL-250-HK-S						5/16-18				
CL-260-HK-S						3/8-16				
CLM-260-HK-S						M6				
CLM-280-HK-S						M8				
CLM-2100-HK-S					M10					
CL-241-HK-S					TAPPED THROUGH	1/4-20	1/2	—	—	
CL-251-HK-S						5/16-18	5/8			
CL-261-HK-S						3/8-16	3/4			
CLM-261-HK-S						M6	1/2			
CLM-281-HK-S						M8	5/8			
CLM-2101-HK-S					M10	3/4				
CL-255-HK-S					REAMED	5/16	11/16	1/8	3/16	
CL-265-HK-S	3/8	5/32								
CL-600-HK-S	3	1.50	1.14	.50	BLANK	—	—	—	—	.47
CL-660-HK-S					TAPPED	3/8-16	1	—	—	
CL-680-HK-S						1/2-13				
CL-6100-HK-S						5/8-11				
CLM-6100-HK-S						M10				
CLM-6120-HK-S						M12				
CLM-6160-HK-S					M16					
CL-661-HK-S					TAPPED THROUGH	3/8-16	3/4	—	—	
CL-681-HK-S						1/2-13	1			
CL-6101-HK-S						5/8-11	1-1/4			
CLM-6101-HK-S						M10	1			
CLM-6121-HK-S						M12				
CLM-6161-HK-S					M16					
CL-665-HK-S					REAMED	3/8	1	5/32	1/4	
CL-685-HK-S						1/2				

FOUR-PRONG KNOBS

KNOB: BLACK PHENOLIC PLASTIC WITH BRASS INSERT
 STUD: MILD STEEL, ZINC PLATED CLEAR CHROMATE

Phenolic —Tapped



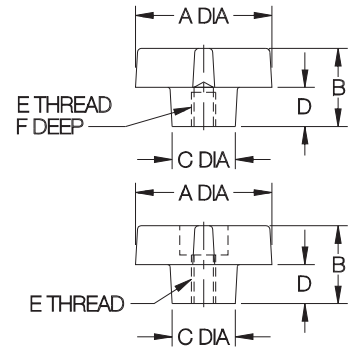
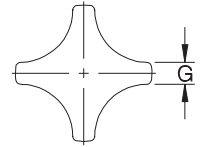
5/16-18 CL-20-PPK-4
 3/8-16 CL-30-PPK-4
 1/2-13 CL-40-PPK-4
 M10 CLM-10-PPK-4



1/4-20 CL-10-PPK-2
 5/16-18 CL-20-PPK-2
 3/8-16 CL-30-PPK-2
 M8 CLM-8-PPK-2



#10-24 CL-10B-PPK-1
 #10-32 CL-10A-PPK-1
 1/4-20 CL-10-PPK-1
 5/16-18 CL-20-PPK-1
 M6 CLM-6-PPK-1



Phenolic —Tapped Through Hole



5/16-18 CL-2-PPK-4
 3/8-16 CL-3-PPK-4
 1/2-13 CL-4-PPK-4



1/4-20 CL-1-PPK-2
 5/16-18 CL-2-PPK-2
 3/8-16 CL-3-PPK-2



#10-24 CL-1B-PPK-1
 #10-32 CL-1A-PPK-1
 1/4-20 CL-1-PPK-1

Four-prong design provides a strong grip for clamping and other applications requiring quick tightening and high torque. Choice of three knob sizes. Molded-in brass insert provides superior thread strength. **INFO+**: Also available with a molded-in clamping stud (page 107). Non-standard thread sizes, reamed holes, or other lengths of molded-in studs are available in quantities of 500 and above. Note: Catalog photos are actual size.

PHENOLIC — TAPPED (INCH & METRIC)

PART NO.	A	B	C DIA	D	E	F	G
CL-10B-PPK-1	1-1/4	7/8	5/8	3/8	#10-24	5/16	1/4
CL-10A-PPK-1					#10-32		
CL-10-PPK-1					1/4-20		
CL-20-PPK-1					5/16-18		
CLM-6-PPK-1					M6		
CL-10-PPK-2	1-3/4	1	13/16	1/2	1/4-20	7/16	9/32
CL-20-PPK-2					5/16-18		
CL-30-PPK-2					3/8-16		
CLM-8-PPK-2					M8		
CL-20-PPK-4	2-1/4	1-1/8	1	9/16	5/16-18	7/16	5/16
CL-30-PPK-4					3/8-16	1/2	
CL-40-PPK-4					1/2-13	5/8	
CLM-10-PPK-4					M10		

PHENOLIC — TAPPED THROUGH HOLE (INCH)

CL-1B-PPK-1	1-1/4	7/8	5/8	3/8	#10-24	5/16	1/4
CL-1A-PPK-1					#10-32		
CL-1-PPK-1					1/4-20		
CL-1-PPK-2	1-3/4	1	13/16	1/2	1/4-20	5/8	9/32
CL-2-PPK-2					5/16-18		
CL-3-PPK-2					3/8-16		
CL-2-PPK-4					5/16-18		
CL-3-PPK-4	2-1/4	1-1/8	1	9/16	3/8-16	5/8	5/16
CL-4-PPK-4					1/2-13		

FOUR-PRONG KNOBS



#10-24 x 3/4
#10-32 x 3/4
1/4-20 x 1
M6 x 20mm

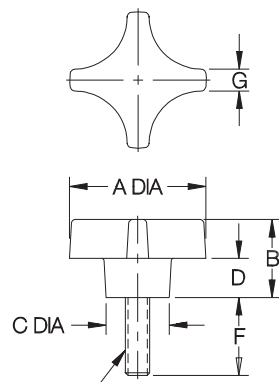
CL-1B-PPK1T
CL-1A-PPK1T
CL-1-PPK1T
CLM-620-PPK1T

1/4-20 x 1
5/16-18 x 1
5/16-18 x 1-1/2
5/16-18 x 2
M8 x 30mm

CL-1-PPK2T
CL-3A-PPK2T
CL-4A-PPK2T
CL-4B-PPK2T
CLM-830-PPK-2T

3/8-16 x 1
3/8-16 x 1-1/2
3/8-16 x 2
3/8-16 x 2-1/2
1/2-13 x 1-1/2
1/2-13 x 2
1/2-13 x 2-1/2
M10 x 40mm

CL-5A-PPK4T
CL-5B-PPK4T
CL-5-PPK4T
CL-6-PPK4T
CL-7B-PPK4T
CL-7C-PPK4T
CL-7-PPK4T
CLM-1040-PPK4T

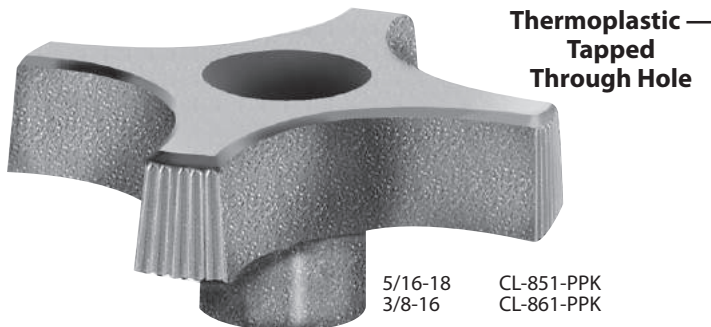
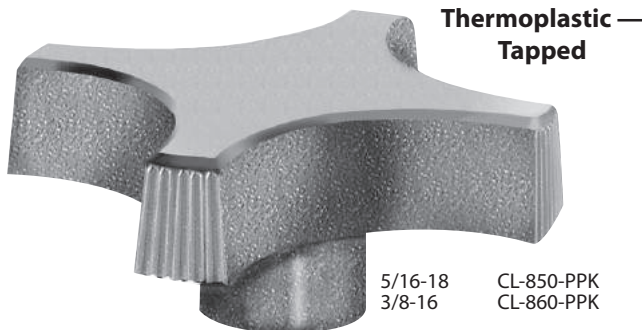


PHENOLIC — STUD TYPE (INCH & METRIC)

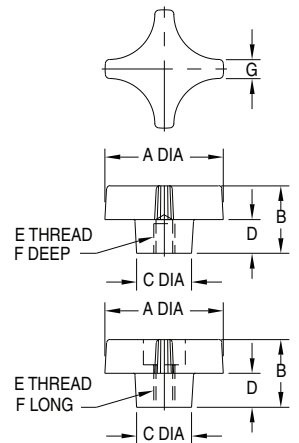
PART NO.	A	B	C DIA	D	E	F	G
CL-1B-PPK1T	1-1/4	7/8	5/8	3/8	#10-24	3/4	1/4
CL-1A-PPK1T					#10-32	3/4	
CL-1-PPK1T					1/4-20	1	
CLM-620-PPK1T					M6	.79	
CL-1-PPK2T	1-3/4	1	13/16	1/2	1/4-20	1	9/32
CL-3A-PPK2T					5/16-18	1-1/2	
CL-4A-PPK2T					1-1/2	2	
CL-4B-PPK2T					M8	1.18	
CLM-830-PPK2T	2-1/4	1-1/8	1	9/16	1	5/16	5/16
CL-5A-PPK4T					1-1/2		
CL-5B-PPK4T					2		
CL-5-PPK4T					2-1/2		
CL-6-PPK4T	1/2-13	1-1/2	2	2-1/2	1-1/2	1.57	
CL-7B-PPK4T					2		
CL-7C-PPK4T					2-1/2		
CL-7-PPK4T					M10		
CLM-1040-PPK4T							

FOUR-PRONG KNOBS

BLACK THERMOPLASTIC WITH BRASS INSERT



Four-prong design in thermoplastic, with a textured non-slip, non-glare finish. Molded-in brass insert provides superior thread strength. Non-standard thread sizes, reamed holes, molded-in studs, or special colors are available in quantities of 500 and above. Note: Catalog photos are actual size.



THERMOPLASTIC — TAPPED (INCH)

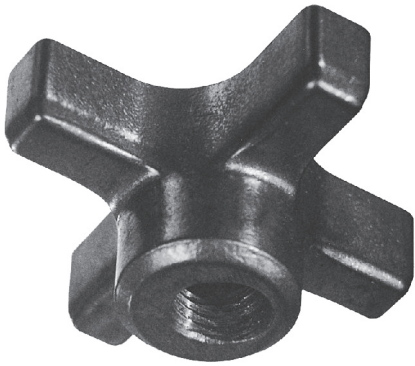
PART NO.	A	B	C DIA	D	E	F	G
CL-850-PPK	3	1-1/4	7/8	9/16	5/16-18	5/8	1/2
CL-860-PPK					3/8-16		

THERMOPLASTIC — TAPPED THROUGH HOLE (INCH)

CL-851-PPK	3	1-1/4	7/8	9/16	5/16-18	5/8	1/2
CL-861-PPK					3/8-16		

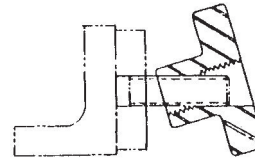
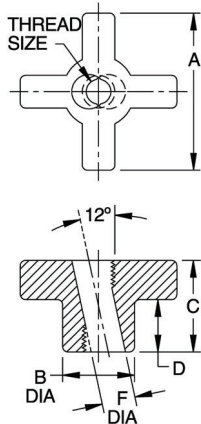
QUICK-ACTING KNOBS

SINTERED IRON

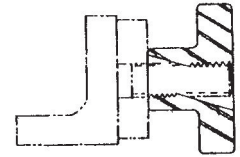


3

Quick-acting four-prong knob that slides in and out of clamping position, ideal when the knob must be completely removed for loading. Tilt knob to slide in, then straighten to engage threads and tighten. To remove, loosen knob, then tilt to slide out. Four-prong design provides a firm grip for applications requiring quick tightening and high torque. For full strength, use a stud that extends slightly beyond the knob, to engage all threads.



Tilt knob to slide in and out.



Straighten knob to engage threads for clamping.

INCH

PART NO.	THREAD SIZE	A	B DIA	C	D	F DIA
CL-1-QAK	1/4-20	1-1/8	9/16	5/8	5/16	17/64
CL-2-QAK	5/16-18	1-1/2	11/16	7/8	1/2	21/64
CL-3-QAK	3/8-16	2	13/16	1		25/64
CL-4-QAK	1/2-13	2-1/2	1	1-1/8	9/16	33/64
CL-5-QAK	5/8-11	3	1-1/4	1-1/4	5/8	41/64

METRIC

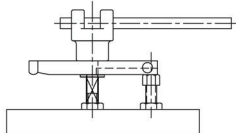
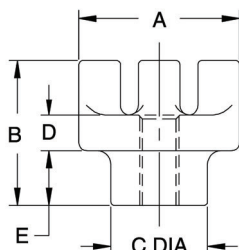
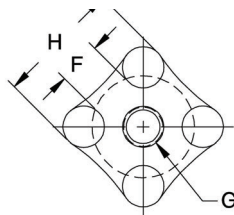
CLM-6-QAK	M6	1-1/8	9/16	5/8	5/16	.25
CLM-8-QAK	M8	1-1/2	11/16	7/8	1/2	.33
CLM-10-QAK	M10	2	13/16	1		.41
CLM-12-QAK	M12	2-1/2	1	1-1/8	9/16	.49
CLM-16-QAK	M16	3	1-1/4	1-1/4	5/8	.65

BAR KNOBS

CAST IRON, ZINC PLATED CLEAR CHROMATE



Heavy-duty knob that can be turned easily by hand, then tightened by inserting a bar between the prongs. Choose from three knob sizes, each available blank or with a choice of tapped holes.



INCH & METRIC

PART NO.	A	B	C DIA	D	E	F	G	H
CL-1-BK	2	2-1/8	1-1/4	1/2	7/8	7/16	BLANK	1-5/8
CL-2-BK							3/8-16	
CL-4-BK							1/2-13	
CL-6-BK							5/8-11	
CLM-2-BK	2-1/2	2-3/8	1-1/2	9/16	15/16	11/16	M10	2
CLM-4-BK							M12	
CLM-6-BK							M16	
CL-8-BK							BLANK	
CL-9-BK	3-1/2	2-3/8	2-1/8	9/16	15/16	1-5/16	1/2-13	2-7/8
CL-11-BK							5/8-11	
CL-13-BK							3/4-10	
CLM-9-BK							M12	
CLM-11-BK	3-1/2	2-3/8	2-1/8	9/16	15/16	1-5/16	M16	2-7/8
CLM-13-BK							M20	
CL-15-BK							BLANK	
CL-16-BK							3/4-10	
CL-18-BK	3-1/2	2-3/8	2-1/8	9/16	15/16	1-5/16	7/8-9	2-7/8
CL-20-BK							1"-8	
CLM-16-BK							M20	
CLM-20-BK							M24	

THREE-PRONG KNOBS

BLACK THERMOPLASTIC WITH BRASS INSERT

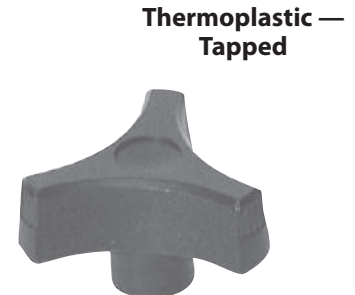
3



5/16-18 CL-850-TPK
3/8-16 CL-860-TPK



1/4-20 CL-640-TPK
5/16-18 CL-650-TPK
3/8-16 CL-660-TPK



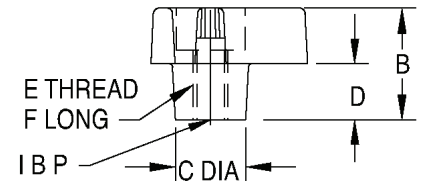
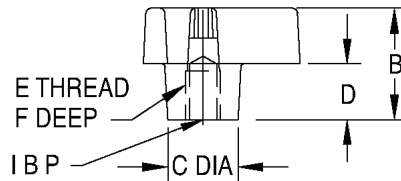
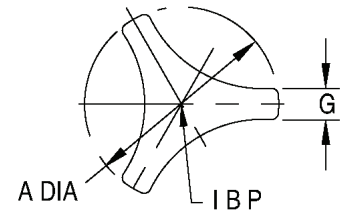
1/4-20 CL-440-TPK
5/16-18 CL-450-TPK

Thermoplastic — Tapped



5/16-18 CL-851-TPK
3/8-16 CL-861-TPK

Thermoplastic — Tapped Through Hole



Modern three-prong design provides quick tightening and high torque. Textured non-slip, non-glare finish. Choice of three knob sizes. Molded-in brass insert provides superior thread strength. Non-standard thread sizes, reamed holes, molded-in studs, or special colors are available in quantities of 500 and above.

THERMOPLASTIC — TAPPED (INCH)

PART NO.	A DIA	B	C DIA	D	E	F	G
CL-440-TPK	1-1/2	7/8	1/2	3/8	1/4-20	7/16	9/32
CL-450-TPK					5/16-18		
CL-640-TPK	2	1-1/16	5/8	1/2	1/4-20	7/16	3/8
CL-650-TPK					5/16-18		
CL-660-TPK					3/8-16		
CL-850-TPK	2-1/2	1-1/8	3/4	1/2	5/16-18	7/16	1/2
CL-860-TPK					3/8-16		

THERMOPLASTIC — TAPPED THROUGH HOLE (INCH)

PART NO.	A DIA	B	C DIA	D	E	F	G
CL-851-TPK	2-1/2	1-1/8	3/4	1/2	5/16-18	5/8	1/2
CL-861-TPK					3/8-16		

T-HANDLE KNOBS

BLACK PHENOLIC PLASTIC OR THERMOPLASTIC WITH BRASS INSERT

3

Phenolic — Tapped



- 1/4-20 CL-632-TK
- 5/16-18 CL-642-TK
- 3/8-16 CL-652-TK
- 3/8-24 CL-654-TK
- M8 CLM-642-TK
- M10 CLM-652-TK

Thermoplastic — Tapped



- 1/4-20 CL-6320-TK
- 5/16-18 CL-6420-TK
- 3/8-16 CL-6520-TK
- M8 CLM-6420-TK
- M10 CLM-6520-TK

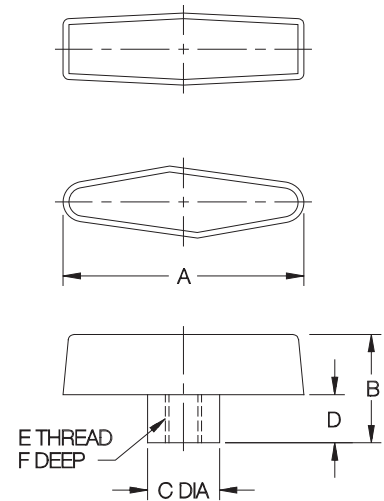


- 1/4-20 CL-432-TK
- 5/16-18 CL-442-TK
- 3/8-16 CL-452-TK
- M6 CLM-432-TK
- M8 CLM-442-TK



- 1/4-20 CL-232-TK
- M6 CLM-232-TK

T-Handle Knobs provide maximum leverage for heavy-duty clamping. Ideal for fastening fold-down handles and stands. Available in phenolic plastic (one knob size) for a shiny polished finish, or in thermoplastic (three knob sizes) for a textured non-slip, non-glare finish. Molded-in brass insert provides superior thread strength. Non-standard thread sizes, reamed holes, molded-in studs, or special colors (thermoplastic only) are available in quantities of 500 and above. Note: Catalog photos are actual size.



PHENOLIC — TAPPED (INCH & METRIC)

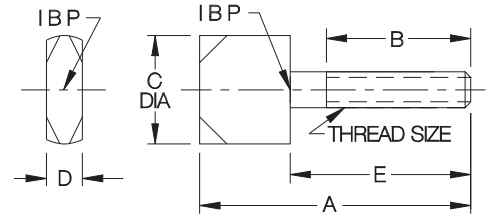
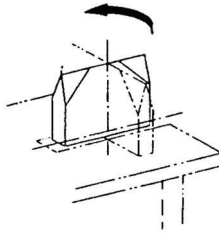
PART NO.	A	B	C DIA	D	E	F
CL-632-TK	2-1/2	2-1/2	2-1/2	2-1/2	1/4-20	5/8
CL-642-TK					5/16-18	
CL-652-TK					3/8-16	1/2
CL-654-TK					3/8-24	
CLM-642-TK					M8	5/8
CLM-652-TK					M10	1/2

THERMOPLASTIC — TAPPED (INCH & METRIC)

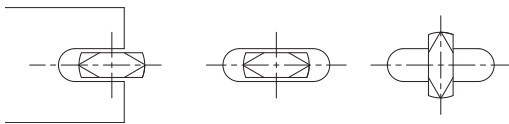
PART NO.	A	B	C DIA	D	E	F
CL-232-TK	1	7/8	1/2	3/8	1/4-20	7/16
CLM-232-TK					M6	
CL-432-TK	2	1-1/8	3/4	1/2	1/4-20	5/8
CL-442-TK					5/16-18	
CL-452-TK					3/8-16	1/2
CLM-432-TK					M6	
CLM-442-TK					M8	5/8
CL-6320-TK					2-1/2	1-1/4
CL-6420-TK	5/16-18					
CL-6520-TK	3/8-16	1/2				
CLM-6420-TK	M8		5/8			
CLM-6520-TK	M10	1/2				

QUARTER-TURN SCREWS

12L14 STEEL, CARBURIZED-HARDENED, BLACK OXIDE FINISH



Rotate screw 90 degrees (1/4 turn) to latch. Ideal for swing-away lids and jig plates. Beveled edges allow easy insertion into a slot. Also available soft (not carburized-hardened) for customizing as desired.



Use quarter-turn screws in either open or closed slots.

INCH

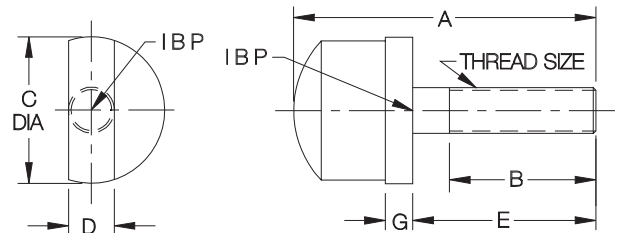
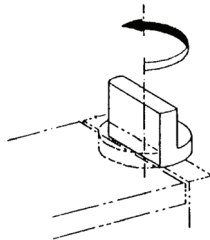
PART NO. HARDENED	PART NO. SOFT	THREAD SIZE	A	B	C DIA	D	E
CL-1-QTS	CL-10-QTS	#10-24	1-1/2	7/8	5/8	3/16	1
CL-2-QTS	CL-20-QTS	#10-32			1/2		
CL-3-QTS	CL-30-QTS	1/4-20	1-7/8	1	3/4	1/4	1-1/4
CL-4-QTS	CL-40-QTS	5/16-18	2-1/4	1-1/4	1	5/16	1-1/2
CL-5-QTS	CL-50-QTS	3/8-16	2-1/2			3/8	
CL-6-QTS	CL-60-QTS	1/2-13	2-3/4	1-1/2	1-1/4	1/2	1-3/4

METRIC

CLM-5-QTS	—	M5	1.57	.79	.63	.20	.98
CLM-6-QTS	—	M6	1.97	.98	.75	.24	1.18
CLM-8-QTS	—	M8	2.36	1.38	1.00	.31	1.57
CLM-10-QTS	—	M10	2.56		1.00	.39	
CLM-12-QTS	—	M12	2.76	1.57	1.26	.47	1.77

HALF-TURN SCREWS

12L14 STEEL, CARBURIZED-HARDENED, BLACK OXIDE FINISH



INCH

PART NO. HARDENED	THREAD SIZE	A	B	C DIA	D	E	G
CL-1-HTS	#10-32	1-11/16	7/8	3/4	3/16	1	3/16
CL-2-HTS	1/4-20	2	1	3/4	1/4	1-1/4	
CL-3-HTS	5/16-18	2-1/16		1	5/16		
CL-4-HTS	3/8-16	2-11/16	1-1/2	1-1/16	3/8	1-3/4	1/4
CL-5-HTS	1/2-13	2-3/4		1-1/4	1/2		

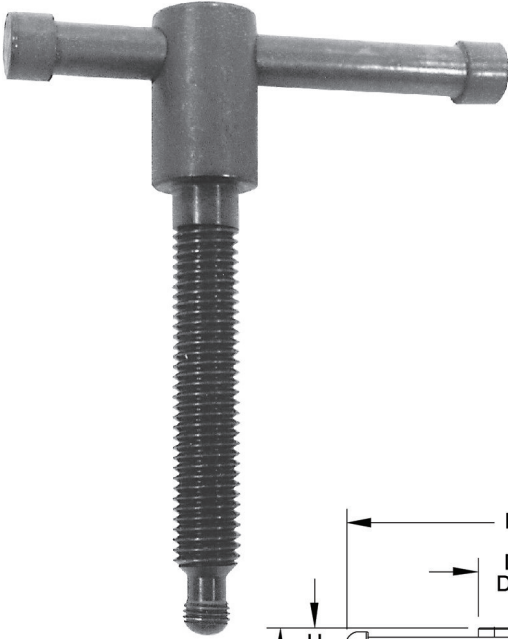
METRIC

CLM-5-HTS	M5	1.69	.87	.75	.20	.98	
CLM-6-HTS	M6	1.93	.94	.75	.24	1.18	.20
CLM-8-HTS	M8	1.97		1.00	.31		
CLM-10-HTS	M10	2.72	1.54	1.06	.39	1.77	.24

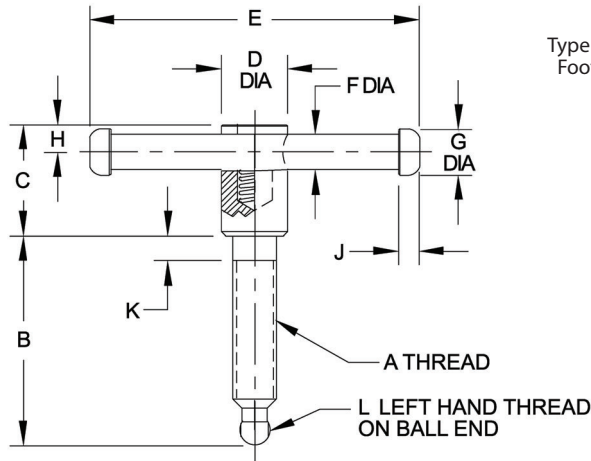
Rotate screw 180 degrees (1/2 turn) to latch. Allows latching swing-away lids and jig plates without machining a slot.

BAR-HANDLE SCREW CLAMPS

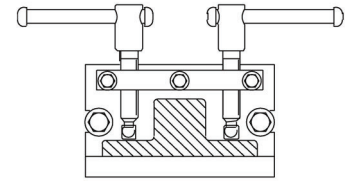
STEEL: 12L14 STEEL BODY, CARBURIZED HARDENED, BLACK OXIDE FINISH. 12L14 STEEL HANDLE, BLACK OXIDE FINISH. 300-SERIES STAINLESS STEEL SPRING. STAINLESS: 300-SERIES STAINLESS STEEL.



Screw clamp with a sliding bar handle for excellent leverage. The bar can be moved to any position, for convenient tightening, and is held in place by light spring force. These screw clamps accept all standard feet for swivel screws (**INFO+**: see page 119 for foot dimensions and specifications). Type A and B feet are also available in Delrin®, by adding "N" to the part number (examples: CL-620-BHSAN, CL-620-BHSA-SN). Available in screw sizes from 5/16-18 to 5/8-11 (M8 to M16 in metric), each in several lengths.



Type A Foot Type B Foot Type D Foot Type E Foot



Sliding bar can be moved to any position for convenient tightening, such as when two clamps are close to each other.

GENERAL DIMENSIONS

A THREAD SIZE	C	D DIA	E	F DIA	G DIA	H	J	K	L
5/16-18 or M8	1-1/8	5/8	2-3/8	1/4	3/8	1/4	1/4	5/16	#12-28 LH
3/8-16 or M10	1-1/4	3/4	3-1/8	5/16	7/16	9/32	9/32	3/8	1/4-28 LH
1/2-13 or M12	1-3/8	13/16	3-15/16	3/8	1/2	11/32	11/32	3/8	5/16-24 LH
5/8-11 or M16	1-5/8	1	4-3/4	1/2	5/8	13/32	13/32	3/8	7/16-20 LH

STEEL (INCH)

A THREAD SIZE	B LENGTH	PART NO. WITHOUT FOOT	PART NO. WITH TYPE A SMALL FOOT	PART NO. WITH TYPE B LARGE FOOT	PART NO. WITH TYPE C VEE FOOT	PART NO. WITH TYPE D BALL FOOT	PART NO. WITH TYPE E EXTRA-LARGE FOOT
5/16-18	2	CL-520-BHS	CL-520-BHSA	CL-520-BHSB	CL-520-BHSC	CL-520-BHSD	—
	3	CL-530-BHS	CL-530-BHSA	CL-530-BHSB	CL-530-BHSC	CL-530-BHSD	—
3/8-16	2	CL-620-BHS	CL-620-BHSA	CL-620-BHSB	CL-620-BHSC	CL-620-BHSD	—
	3	CL-630-BHS	CL-630-BHSA	CL-630-BHSB	CL-630-BHSC	CL-630-BHSD	—
	4	CL-640-BHS	CL-640-BHSA	CL-640-BHSB	CL-640-BHSC	CL-640-BHSD	—
1/2-13	2	CL-820-BHS	CL-820-BHSA	CL-820-BHSB	CL-820-BHSC	CL-820-BHSD	CL-820-BHSE
	3	CL-830-BHS	CL-830-BHSA	CL-830-BHSB	CL-830-BHSC	CL-830-BHSD	CL-830-BHSE
	4	CL-840-BHS	CL-840-BHSA	CL-840-BHSB	CL-840-BHSC	CL-840-BHSD	CL-840-BHSE
5/8-11	3	CL-1030-BHS	CL-1030-BHSA	CL-1030-BHSB	CL-1030-BHSC	CL-1030-BHSD	CL-1030-BHSE
	4	CL-1040-BHS	CL-1040-BHSA	CL-1040-BHSB	CL-1040-BHSC	CL-1040-BHSD	CL-1040-BHSE

CONTINUED ON NEXT PAGE

BAR-HANDLE SCREW CLAMPS

CONTINUED FROM PREVIOUS PAGE

STAINLESS STEEL (INCH)

5/16-18	2	CL-520-BHS	CL-520-BHSA	CL-520-BHSB	—	—	—
	3	CL-530-BHS	CL-530-BHSA	CL-530-BHSB	—	—	—
3/8-16	2	CL-620-BHS	CL-620-BHSA	CL-620-BHSB	—	—	—
	3	CL-630-BHS	CL-630-BHSA	CL-630-BHSB	—	—	—
	4	CL-640-BHS	CL-640-BHSA	CL-640-BHSB	—	—	—
1/2-13	2	CL-820-BHS	CL-820-BHSA	CL-820-BHSB	—	—	—
	3	CL-830-BHS	CL-830-BHSA	CL-830-BHSB	—	—	—
	4	CL-840-BHS	CL-840-BHSA	CL-840-BHSB	—	—	—
5/8-11	3	CL-1030-BHS	CL-1030-BHSA	CL-1030-BHSB	—	—	—
	4	CL-1040-BHS	CL-1040-BHSA	CL-1040-BHSB	—	—	—

STEEL (METRIC)

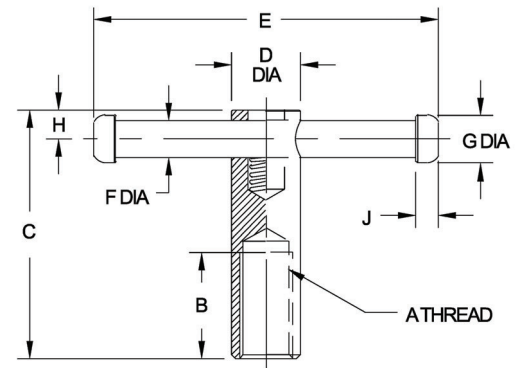
M8	1.97 (50mm)	CLM-850-BHS	CLM-850-BHSA	CLM-850-BHSB	CLM-850-BHSC	CLM-850-BHSD	—
	2.95 (75mm)	CLM-875-BHS	CLM-875-BHSA	CLM-875-BHSB	CLM-875-BHSC	CLM-875-BHSD	—
M10	1.97 (50mm)	CLM-1050-BHS	CLM-1050-BHSA	CLM-1050-BHSB	CLM-1050-BHSC	CLM-1050-BHSD	—
	3.94 (100mm)	CLM-10100-BHS	CLM-10100-BHSA	CLM-10100-BHSB	CLM-10100-BHSC	CLM-10100-BHSD	—
M12	1.97 (50mm)	CLM-1250-BHS	CLM-1250-BHSA	CLM-1250-BHSB	CLM-1250-BHSC	CLM-1250-BHSD	CLM-1250-BHSE
	3.94 (100mm)	CLM-12100-BHS	CLM-12100-BHSA	CLM-12100-BHSB	CLM-12100-BHSC	CLM-12100-BHSD	CLM-12100-BHSE
M16	2.76 (70mm)	CLM-1670-BHS	CLM-1670-BHSA	CLM-1670-BHSB	CLM-1670-BHSC	CLM-1670-BHSD	CLM-1670-BHSE
	4.33 (110mm)	CLM-16110-BHS	CLM-16110-BHSA	CLM-16110-BHSB	CLM-16110-BHSC	CLM-16110-BHSD	CLM-16110-BHSE

BAR-HANDLE NUTS

STEEL: 12L14 STEEL BODY, CARBURIZED HARDENED, BLACK OXIDE FINISH. 12L14 STEEL HANDLE, BLACK OXIDE FINISH. 300-SERIES STAINLESS STEEL SPRING. STAINLESS: 300-SERIES STAINLESS STEEL.



Extension nut with a sliding bar handle for excellent leverage. The bar can be moved to any position, for convenient tightening, and is held in place by light spring force. Available in thread sizes from 3/8-16 to 5/8-11 (M10 to M16 in metric).



STEEL (INCH)

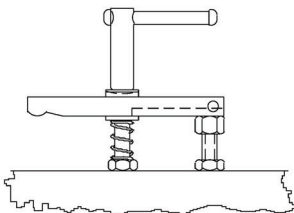
PART NO.	A	B	C	D DIA	E	F DIA	G DIA	H	J
CL-6-BHN	3/8-16	7/8	2-3/8	3/4	3-1/8	5/16	7/16	9/32	9/32
CL-8-BHN	1/2-13	1-1/8	2-3/4	13/16	3-15/16	3/8	1/2	11/32	5/16
CL-10-BHN	5/8-11	1-3/8	3-3/8	1	4-3/4	1/2	5/8	13/32	3/8

STAINLESS STEEL (INCH)

CL-6-BHN-S	3/8-16	7/8	2-3/8	3/4	3-1/8	5/16	7/16	9/32	9/32
CL-8-BHN-S	1/2-13	1-1/8	2-3/4	13/16	3-15/16	3/8	1/2	11/32	5/16
CL-10-BHN-S	5/8-11	1-3/8	3-3/8	1	4-3/4	1/2	5/8	13/32	3/8

STEEL (METRIC)

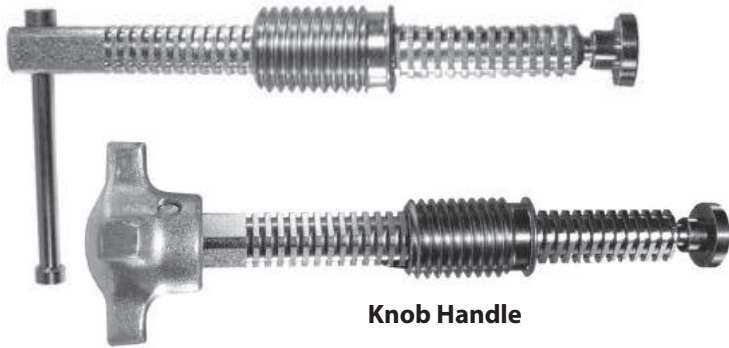
CLM-10-BHN	M10	.79	2.36	3/4	3-1/8	5/16	7/16	9/32	9/32
CLM-12-BHN	M12	.98	2.76	13/16	3-15/16	3/8	1/2	11/32	5/16
CLM-16-BHN	M16	1.38	3.35	1	4-3/4	1/2	5/8	13/32	3/8



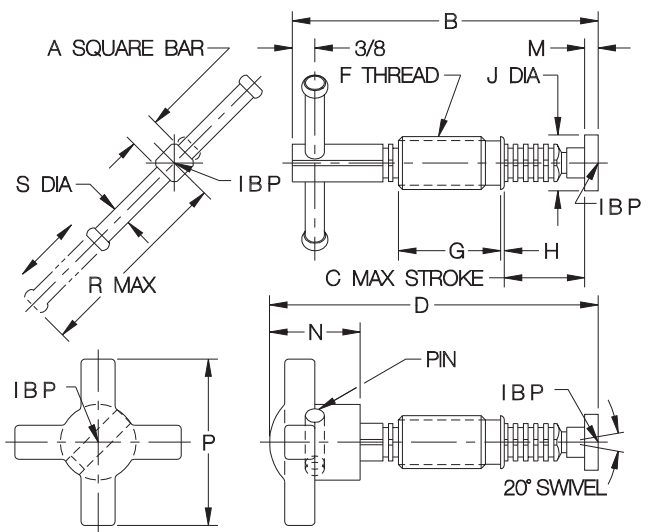
BAR-LOK QUICK-ACTING SCREW CLAMPS

12L14 STEEL, CARBURIZED-HARDENED, ZINC PLATED YELLOW CHROMATE
 KNOB HANDLE: 319 ALUMINUM ALLOY

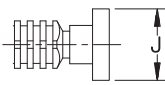
3



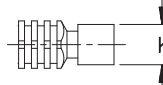
Knob Handle



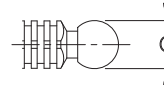
Definitely the best quick-acting screw clamp available anywhere! This patented sliding-bar design works smoothly and positively – just slide the bar forward, then twist to apply force. As strong as a standard screw clamp, but much faster. Choose either a comfortable knob handle or a sliding handle for extra leverage. Available in 3/8", 1/2", and 5/8" bar sizes, each in a choice of several lengths and foot styles. Ball and foot are threaded to allow easy installation and removal, a lefthand thread to positively prevent backout when turning the screw counterclockwise. Once the threads clear during installation, the foot rotates and pivots freely (20° included angle).



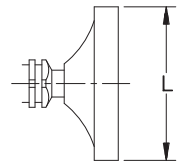
With standard foot:
 CL-14-BLK
 CL-14-BLKN (Delrin®)



With small foot, add A:
 CL-14-BLKA
 CL-14-BLKAN (Delrin®)



With ball foot, add -D:
 CL-14-BLKD



With large foot, add E:
 CL-14-BLKE

SLIDING HANDLE (INCH)

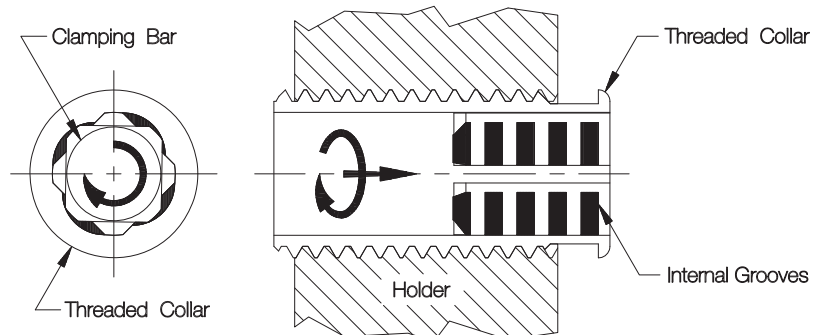
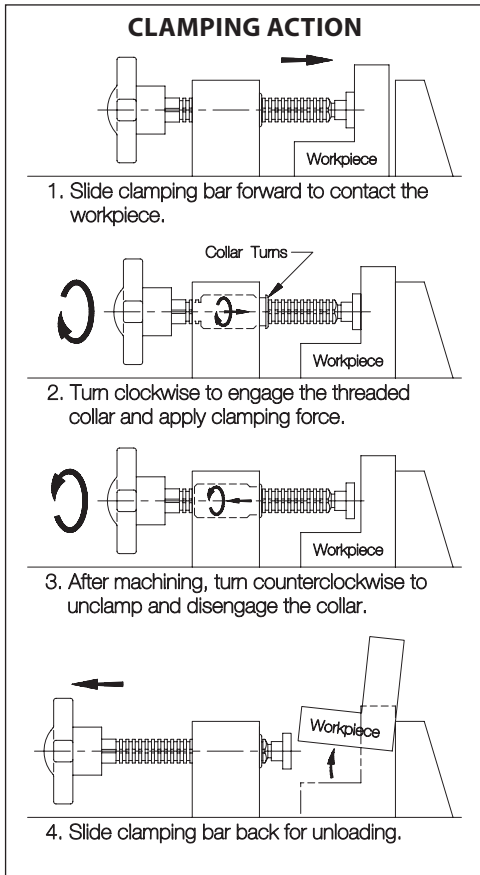
PART NO.	A	B	C	D	F THREAD	G	H	J DIA	K DIA	L DIA	M	N	P	Q	R	S DIA	OLD BAR-LOK NUMBER
CL-14-BLT	3/8	4	1-9/16	---	3/4-10	1-3/8	1/8	.750	.390	1.50	.187	---	---	.500	2-15/16	1/4	S-204-T
CL-15-BLT		5	2-9/16														S-205-T
CL-16-BLT		6	3-9/16														S-206-T
CL-25-BLT	1/2	5	2-3/16	---	7/8-9	1-11/16	1/16	.930	.500	2.00	.218	---	---	.625	3-5/16	5/16	M-205-T
CL-26-BLT		6	3-3/16														M-206-T
CL-28-BLT		8	5-3/16														M-208-T
CL-210-BLT		10	7-3/16														M-210-T
CL-212-BLT	12	9-3/16	M-212-T														
CL-35-BLT	5/8	5	2-3/16	---	1-1/8-7	1-11/16	1/16	.930	.500	2.00	.218	---	---	.625	3-1/4	5/16	H-205-T
CL-36-BLT		6	3-3/16														H-206-T
CL-38-BLT		8	5-3/16														H-208-T
CL-310-BLT		10	7-3/16														H-210-T
CL-312-BLT		12	9-3/16														H-212-T

KNOB HANDLE (INCH)

CL-14-BLK	3/8	---	1-5/16	4-11/16	3/4-10	1-3/8	1/8	3/4	.390	1.50	.187	1-7/16	2-1/8	.500	---	---	---
CL-15-BLK			2-5/16	5-11/16													
CL-16-BLK			3-5/16	6-11/16													
CL-25-BLK	1/2	---	1-5/8	5-3/8	7/8-9	1-11/16	1/16	15/16	.500	2.00	.218	1-1/2	2-3/4	.625	---	---	---
CL-26-BLK			2-5/8	6-3/8													
CL-28-BLK			4-5/8	8-3/8													
CL-210-BLK			6-5/8	10-3/8													
CL-212-BLK	8-5/8	12-3/8															
CL-35-BLK	5/8	---	1-5/8	5-3/8	1-1/8-7	1-11/16	1/16	15/16	.500	2.00	.218	1-1/2	2-3/4	.625	---	---	---
CL-36-BLK			2-5/8	6-3/8													
CL-38-BLK			4-5/8	8-3/8													
CL-310-BLK			6-5/8	10-3/8													
CL-312-BLK			8-5/8	12-3/8													

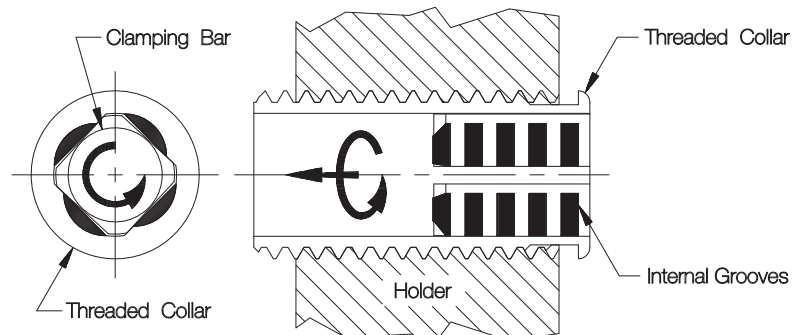
BAR-LOK QUICK-ACTING SCREW CLAMPS

12L14 STEEL, CARBURIZED-HARDENED, ZINC PLATED YELLOW CHROMATE
 KNOB HANDLE: 319 ALUMINUM ALLOY



Clockwise

Turning the clamping bar clockwise engages internal grooves in the threaded collar. Both components then turn together as a single unit to apply screw force.

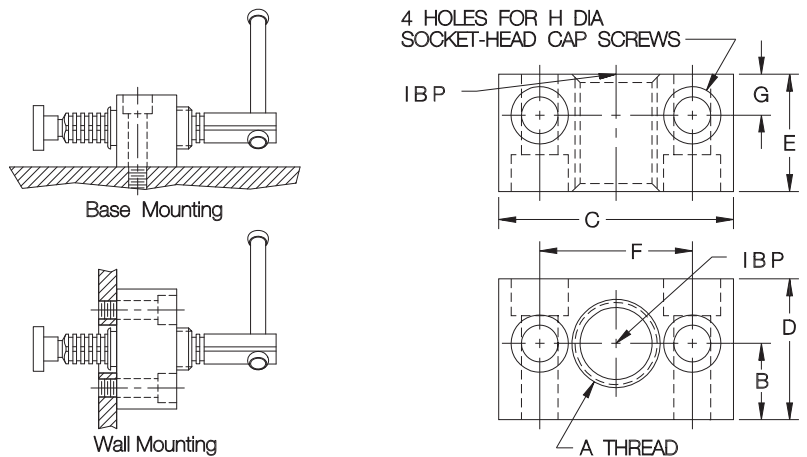


Counterclockwise

Turning the clamping bar counterclockwise loosens the screw clamp and disengages the collar, allowing the bar to slide back and forth.



Mounting Block



MOUNTING BLOCKS

PART NO.	A THREAD	B	C	D	E	F	G	H DIA
CL-1-BLM	3/4-10		2-1/8	1-3/8	1-1/4	1-3/8		5/16 OR M8
CL-2-BLM	7/8-9	13/16	2-1/2	1-1/2		1-5/8	7/16	3/8 OR M10
CL-3-BLM	1-1/8-7	1	3-1/8	1-3/4	1-1/2	2-1/8	1/2	1/2 OR M12

Versatile mounting base made especially for Bar-Lok screw clamps. Attach with two Socket-Head Cap Screws. Two sets of mounting holes allow either base mounting or through-hole wall mounting.



Once there was a clamp.

Not an ordinary clamp. A new floating clamp.

Where the bottom and top jaws work independently
to clamp AND support your workpiece.

Floating from piece to piece regardless of size.

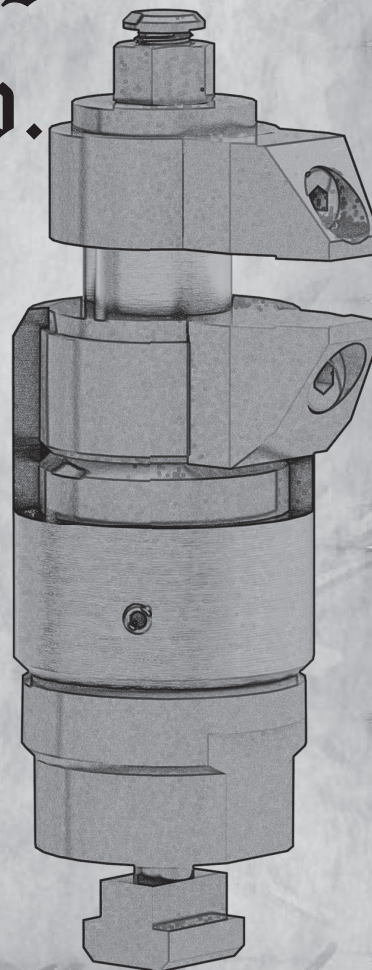
Working on a variety of plates.

Perfect for lighter weight materials like aluminum.

Ideal for clamping forgings, ribbed or flanged castings.

Saving you time, which saves your company money.

Which makes you a hero.



See the Floating Clamp
in action at:

carrlane.com/hero

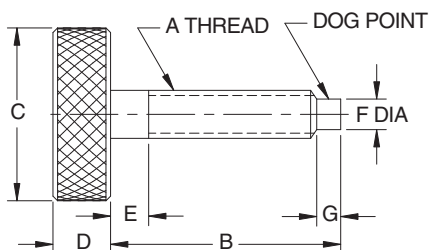
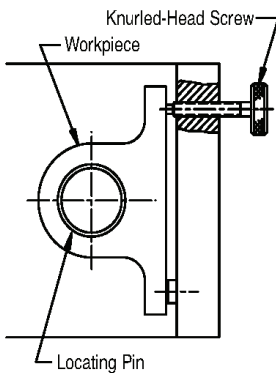


KNURLED HEAD SCREWS

STEEL: 12L14, CARBURIZED-HARDENED, BLACK OXIDE FINISH.
STAINLESS STEEL: 300-SERIES, PASSIVATED



Handy thumb screw. Knurled head provides a positive grip for finger tightening in light clamping applications.



STEEL (INCH)

PART NO.	A	B	C DIA	D	E	F DIA	G
CL-1-KHS	#10-24	1	3/4	1/4	1/4	.12	.09
CL-2-KHS		1-1/2					
CL-3-KHS		2					
CL-1A-KHS	#10-32	1	1	5/16	1/4	.15	.12
CL-2A-KHS		1-1/2					
CL-3A-KHS		2					
CL-4-KHS	1/4-20	1-1/2	1	5/16	1/4	.15	.12
CL-5-KHS		2					
CL-6-KHS		2-1/2					
CL-7-KHS	5/16-18	1-1/2	1-1/8	3/8	1/4	.20	.16
CL-8-KHS		2					
CL-9-KHS		2-1/2					
CL-10-KHS	3/8-16	2	1-1/4	7/16	1/4	.25	.19
CL-11-KHS		2-1/2					
CL-12-KHS		3					
CL-13-KHS	1/2-13	3	1-1/4	1/2	1/4	.34	.25
CL-14-KHS		3-1/2					

STAINLESS STEEL (INCH)

PART NO.	A	B	C DIA	D	E	F DIA	G
CL-23207	#10-32	3/4	1/2	3/16	1/8	.12	.09
CL-23210		1					
CL-23212		1-1/4					
CL-23215		1-1/2					
CL-23507	1/4-20	3/4	1	5/16	1/8	.15	.12
CL-23510		1					
CL-23512		1-1/4					
CL-23515		1-1/2					
CL-23520		2					
CL-23615	5/16-18	1-1/2	1-1/8	3/8	3/16	.20	.16
CL-23620		2					
CL-23625		2-1/2					
CL-23820		2					
CL-23825	3/8-16	2-1/2	1-1/4	7/16	3/16	.25	.19
CL-23830		3					

STEEL (METRIC)

PART NO.	A	B	C DIA	D	E	F DIA	G
CLM-1-KHS	M5	.98	3/4	1/4	1/4	.13	.11
CLM-2-KHS		1.57					
CLM-3-KHS		1.97					
CLM-4-KHS	M6	1.57	1	5/16	1/4	.17	.13
CLM-5-KHS		1.97					
CLM-6-KHS		2.56					
CLM-7-KHS	M8	1.57	1-1/8	3/8	1/4	.23	.18
CLM-8-KHS		1.97					
CLM-9-KHS		2.56					
CLM-10-KHS	M10	1.97	1-1/4	7/16	1/4	.27	.19
CLM-11-KHS		2.56					
CLM-12-KHS		2.95					
CLM-13-KHS	M12	2.95	1-1/4	1/2	1/4	.35	.25
CLM-14-KHS		3.54					

BODIES FOR SWIVEL SCREWS

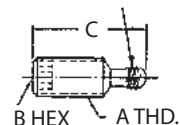
STEEL: 12L14 OR 1144, HEAT TREATED, ZINC PLATED YELLOW CHROMATE OR BLACK OXIDE FINISH
 STAINLESS STEEL: 300-SERIES



Socket Head

Swivel-screw bodies that accept any of the feet shown on the opposite page. Socket-head version allows applying strong clamping force using a hex wrench. **Patent no. 2,531,892.**

D LEFT HAND THD.



SOCKET HEAD (INCH)

PART NO. STEEL ZINC PLATED	PART NO. STEEL BLACK OXIDE	PART NO. STAINLESS STEEL	A	B	C	D
CL-1-BSS	CL-1-BSS-BO	—	1/4-20	1/8	15/32	#8-36 L.H.
CL-2-BSS	CL-2-BSS-BO	CL-2-BSS-S			23/32	
CL-3-BSS	CL-3-BSS-BO	CL-3-BSS-S			31/32	
CL-4-BSS	CL-4-BSS-BO	CL-4-BSS-S			1-15/32	
CL-5-BSS	CL-5-BSS-BO	—	5/16-18	5/32	23/32	#12-28 L.H.
CL-6-BSS	CL-6-BSS-BO	CL-6-BSS-S			31/32	
CL-7-BSS	CL-7-BSS-BO	CL-7-BSS-S			1-15/32	
CL-8-BSS	CL-8-BSS-BO	CL-8-BSS-S			1-31/32	
CL-9-BSS	CL-9-BSS-BO	—	3/8-16	3/16	11/16	1/4-28 L.H.
CL-10-BSS	CL-10-BSS-BO	—			15/16	
CL-11-BSS	CL-11-BSS-BO	CL-11-BSS-S			1-7/16	
CL-12-BSS	CL-12-BSS-BO	CL-12-BSS-S			1-15/16	
CL-13-BSS	CL-13-BSS-BO	CL-13-BSS-S	1/2-13	1/4	2-15/16	5/16-24 L.H.
CL-15-BSS	CL-15-BSS-BO	—			1-7/16	
CL-16-BSS	CL-16-BSS-BO	CL-16-BSS-S			1-15/16	
CL-17-BSS	CL-17-BSS-BO	CL-17-BSS-S			2-15/16	
CL-18-BSS	CL-18-BSS-BO	CL-18-BSS-S	5/8-11	5/16	3-15/16	7/16-20 L.H.
CL-20-BSS	CL-20-BSS-BO	—			1-15/16	
CL-21-BSS	CL-21-BSS-BO	—			2-15/16	
CL-22-BSS	CL-22-BSS-BO	—			3-15/16	
CL-23-BSS	CL-23-BSS-BO	—	5/8-11	5/16	4-15/16	7/16-20 L.H.
CL-20-BSS	CL-20-BSS-BO	—			1-15/16	
CL-21-BSS	CL-21-BSS-BO	—			2-15/16	
CL-22-BSS	CL-22-BSS-BO	—			3-15/16	
CL-23-BSS	CL-23-BSS-BO	—	5/8-11	5/16	4-15/16	7/16-20 L.H.
CL-20-BSS	CL-20-BSS-BO	—			1-15/16	
CL-21-BSS	CL-21-BSS-BO	—			2-15/16	
CL-22-BSS	CL-22-BSS-BO	—			3-15/16	

SOCKET HEAD (METRIC)

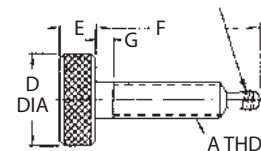
PART NO. STEEL BLACK OXIDE	A	B	C	D
CLM-1-BSS-BO	M6	3mm	.56	#8-36 L.H.
CLM-2-BSS-BO			.76	
CLM-3-BSS-BO			.95	
CLM-4-BSS-BO			1.54	
CLM-5-BSS-BO	M8	4mm	.74	#12-28 L.H.
CLM-6-BSS-BO			.94	
CLM-7-BSS-BO			1.53	
CLM-8-BSS-BO			1.92	
CLM-9-BSS-BO	M10	5mm	.73	1/4-28 L.H.
CLM-10-BSS-BO			.93	
CLM-11-BSS-BO			1.52	
CLM-12-BSS-BO			1.92	
CLM-13-BSS-BO	M12	6mm	2.90	5/16-24 L.H.
CLM-15-BSS-BO			1.52	
CLM-16-BSS-BO			1.91	
CLM-17-BSS-BO			2.89	
CLM-18-BSS-BO	M16	8mm	3.88	7/16-20 L.H.
CLM-20-BSS-BO			1.89	
CLM-21-BSS-BO			2.87	
CLM-22-BSS-BO			3.86	
CLM-23-BSS-BO	M16	8mm	4.85	7/16-20 L.H.
CLM-20-BSS-BO			1.89	
CLM-21-BSS-BO			2.87	
CLM-22-BSS-BO			3.86	



Knurled Head

Similar to the above screws, except with a knurled head for finger tightening.

H LEFT HAND THD.



KNURLED HEAD (INCH)

PART NO. STEEL ZINC PLATED	PART NO. STEEL BLACK OXIDE	PART NO. STAINLESS STEEL	A	D DIA	E	F	G	H
CL-24-BSS	CL-24-BSS-BO	CL-24-BSS-S	1/4-20	1	5/16	31/32	1/8	#8-36 L.H.
CL-25-BSS	CL-25-BSS-BO	CL-25-BSS-S				1-15/32		
CL-26-BSS	CL-26-BSS-BO	CL-26-BSS-S				1-31/32		
CL-27-BSS	CL-27-BSS-BO	CL-27-BSS-S				2-31/32		
CL-28-BSS	CL-28-BSS-BO	—	5/16-18	1-1/8	3/8	31/32	3/16	#12-28 L.H.
CL-29-BSS	CL-29-BSS-BO	CL-29-BSS-S				1-15/32		
CL-30-BSS	CL-30-BSS-BO	CL-30-BSS-S				1-31/32		
CL-31-BSS	CL-31-BSS-BO	CL-31-BSS-S				2-31/32		
CL-33-BSS	CL-33-BSS-BO	—	3/8-16	1-1/4	7/16	1-7/16	3/16	1/4-28 L.H.
CL-34-BSS	CL-34-BSS-BO	CL-34-BSS-S				1-15/16		
CL-35-BSS	CL-35-BSS-BO	CL-35-BSS-S				2-15/16		
CL-36-BSS	CL-36-BSS-BO	CL-36-BSS-S				3-15/16		
CL-38-BSS	CL-38-BSS-BO	—	1/2-13	1-1/4	1/2	1-7/16	3/16	5/16-24 L.H.
CL-39-BSS	CL-39-BSS-BO	—				1-15/16		
CL-40-BSS	CL-40-BSS-BO	CL-40-BSS-S				2-15/16		
CL-41-BSS	CL-41-BSS-BO	CL-41-BSS-S				3-15/16		
CL-43-BSS	CL-43-BSS-BO	—	5/8-11	1-1/4	1/2	1-15/16	3/16	7/16-20 L.H.
CL-44-BSS	CL-44-BSS-BO	—				2-15/16		
CL-45-BSS	CL-45-BSS-BO	—				3-15/16		
CL-46-BSS	CL-46-BSS-BO	—				4-15/16		

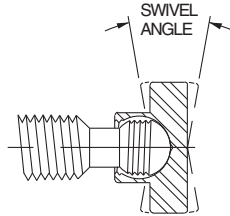
KNURLED HEAD (METRIC)

PART NO. STEEL BLACK OXIDE	A	D DIA	E	F	G	H
CLM-24-BSS-BO	M6	1	5/16	.95	1/8	#8-36 L.H.
CLM-25-BSS-BO				1.54		
CLM-26-BSS-BO				1.94		
CLM-27-BSS-BO				2.92		
CLM-28-BSS-BO	M8	1-1/8	3/8	.94	3/16	#12-28 L.H.
CLM-29-BSS-BO				1.53		
CLM-30-BSS-BO				1.92		
CLM-31-BSS-BO				2.91		
CLM-33-BSS-BO	M10	1-1/4	7/16	1.52	3/16	1/4-28 L.H.
CLM-34-BSS-BO				1.92		
CLM-35-BSS-BO				2.90		
CLM-36-BSS-BO				3.88		
CLM-38-BSS-BO	M12	1-1/4	1/2	1.52	3/16	5/16-24 L.H.
CLM-39-BSS-BO				1.91		
CLM-40-BSS-BO				2.89		
CLM-41-BSS-BO				3.88		
CLM-43-BSS-BO	M16	1-1/4	1/2	1.89	3/16	7/16-20 L.H.
CLM-44-BSS-BO				2.88		
CLM-45-BSS-BO				3.86		
CLM-46-BSS-BO				4.85		

FEET FOR SWIVEL SCREWS

STEEL: (TYPES A, B, D, E), 12L14 STEEL, ZINC PLATED YELLOW CHROMATE (BLACK OXIDE OPTIONAL)
 STEEL (TYPE C): 1018 STEEL, CARBURIZED HARDENED, ZINC PLATED YELLOW CHROMATE (BLACK OXIDE OPTIONAL)
 STAINLESS: 300-SERIES STAINLESS STEEL
 DELRIN : WHITE DELRIN 500

Matching feet for the swivel-screw bodies on the opposite page. Types A, B, and D can be used with any body-thread size. Type E can be used with the largest two sizes.

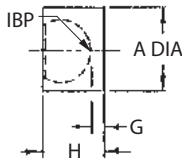


Ball and foot are threaded to allow easy installation and removal, a lefthand thread to positively prevent backout when turning the screw counterclockwise. Once the threads clear during installation, the foot rotates and pivots freely (20° included angle). Note: Delrin feet are not threaded — they snap on and off.

3



**Type A
Small Foot**

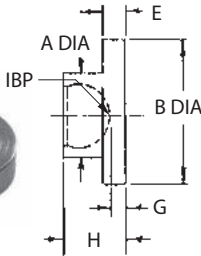


TYPE A — SMALL FOOT

PART NO. STEEL ZINC PLATED	PART NO. STEEL BLACK OXIDE	PART NO. STAINLESS STEEL	PART NO. DELRIN	FITS BODY THREAD SIZE	A DIA	G	H
CL-1A-FSS	CL-1A-FSS-BO	CL-1A-FSS-S	CL-1A-FSSN	1/4-20 and M6	.187	.031	.200
CL-2A-FSS	CL-2A-FSS-BO	CL-2A-FSS-S	CL-2A-FSSN	5/16-18 and M8	.250	.046	.255
CL-3A-FSS	CL-3A-FSS-BO	CL-3A-FSS-S	CL-3A-FSSN	3/8-16 and M10	.298	.053	.315
CL-4A-FSS	CL-4A-FSS-BO	CL-4A-FSS-S	CL-4A-FSSN	1/2-13 and M12	.390	.058	.359
CL-5A-FSS	CL-5A-FSS-BO	CL-5A-FSS-S	CL-5A-FSSN	5/8-11 and M16	.500	.076	.470



**Type B
Large Foot**

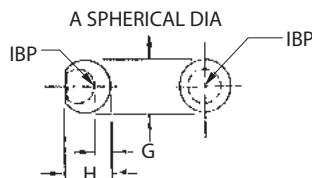


TYPE B — LARGE FOOT

PART NO. STEEL ZINC PLATED	PART NO. STEEL BLACK OXIDE	PART NO. STAINLESS STEEL	PART NO. DELRIN	FITS BODY THREAD SIZE	A DIA	B DIA	E	G	H
CL-1B-FSS	CL-1B-FSS-BO	CL-1B-FSS-S	CL-1B-FSSN	1/4-20 and M6	.187	.375	.125	.131	.300
CL-2B-FSS	CL-2B-FSS-BO	CL-2B-FSS-S	CL-2B-FSSN	5/16-18 and M8	.250	.500	.156	.141	.350
CL-3B-FSS	CL-3B-FSS-BO	CL-3B-FSS-S	CL-3B-FSSN	3/8-16 and M10	.298	.562	.187	.177	.437
CL-4B-FSS	CL-4B-FSS-BO	CL-4B-FSS-S	CL-4B-FSSN	1/2-13 and M12	.390	.750	.187	.119	.420
CL-5B-FSS	CL-5B-FSS-BO	CL-5B-FSS-S	CL-5B-FSSN	5/8-11 and M16	.500	.930	.218	.121	.515



**Type D
Ball Foot**

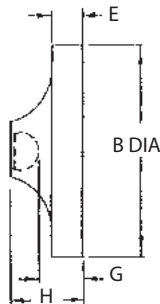


TYPE D — BALL FOOT

PART NO. STEEL ZINC PLATED	PART NO. STEEL BLACK OXIDE	FITS BODY THREAD SIZE	A DIA	G	H
CL-1D-FSS	CL-1D-FSS-BO	1/4-20 and M6	.250	.051	.220
CL-2D-FSS	CL-2D-FSS-BO	5/16-18 and M8	.312	.071	.280
CL-3D-FSS	CL-3D-FSS-BO	3/8-16 and M10	.375	.064	.325
CL-4D-FSS	CL-4D-FSS-BO	1/2-13 and M12	.500	.144	.443
CL-5D-FSS	CL-5D-FSS-BO	5/8-11 and M16	.620	.137	.531



**Type E
Extra-Large Foot**



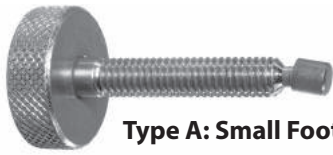
TYPE E — EXTRA-LARGE FOOT

PART NO. STEEL ZINC PLATED	PART NO. STEEL BLACK OXIDE	FITS BODY THREAD SIZE	B DIA	E	G	H
CL-4E-FSS	CL-4E-FSS-BO	1/2-13 and M12	1.50	1/4	.26	.56
CL-5E-FSS	CL-5E-FSS-BO	5/8-11 and M16	2.00	5/16	.31	.70

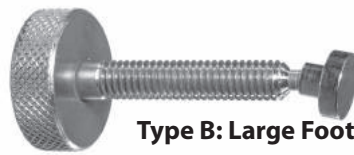
SWIVEL HEAD SCREWS

BODY: 12L14 STEEL, CARBURIZED-HARDENED, ZINC PLATED YELLOW CHROMATE (OR 300-SERIES STAINLESS STEEL)
 FOOT: 12L14 STEEL, ZINC PLATED YELLOW CHROMATE (OR 300-SERIES STAINLESS STEEL, OR DELRIN®)

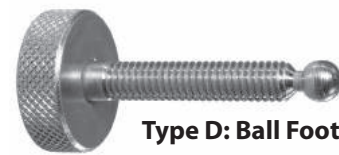
INFO+: Knurled-head swivel-screw assemblies that combine the bodies on page 118 with the feet on page 119. The steel version is optionally available with a black oxide finish by adding "-BO" to the part number (example: CL-1-SHS-BO). Type A and B feet are optionally available in Delrin® by adding "N" to the part number (examples: CL-1-SHSN, CL-1-SHS-BON, CL-1-SHS-SN).



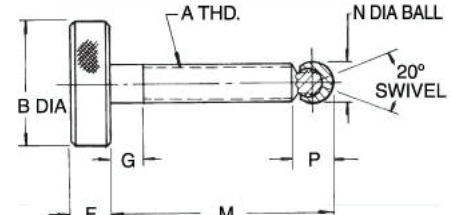
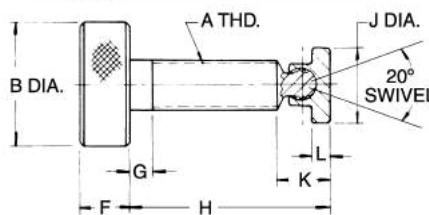
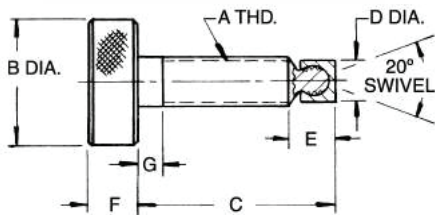
Type A: Small Foot



Type B: Large Foot



Type D: Ball Foot



INCH

TYPE A STEEL PART NO.*	TYPE A STAINLESS STEEL PART NO.	TYPE B STEEL PART NO.*	TYPE B STAINLESS STEEL PART NO.	TYPE D STEEL PART NO.*	A	B DIA	C	D DIA	E	F	G	H	J DIA	K	L	M	N	P
CL-1-SHS	CL-1-SHS-S	CL-17-SHS	CL-17-SHS-S	CL-47-SHS	1/4-20	1	1	3/16	9/32	5/16	1/8	1-3/32	3/8	23/64	1/8	1-1/32	1/4	5/16
CL-2-SHS	CL-2-SHS-S	CL-18-SHS	CL-18-SHS-S	CL-48-SHS			1-1/2					1-17/32						
CL-3-SHS	CL-3-SHS-S	CL-19-SHS	CL-19-SHS-S	CL-49-SHS			2					2-3/32						
CL-33-SHS	CL-33-SHS-S	CL-40-SHS	CL-40-SHS-S	CL-50-SHS			3					3-3/32						
CL-4-SHS	—	CL-20-SHS	—	CL-51-SHS	5/16-18	1-1/8	1	1/4	11/32	3/8	3/16	1-3/32	1/2	27/64	5/32	1-1/64	5/16	23/64
CL-5-SHS	CL-5-SHS-S	CL-21-SHS	CL-21-SHS-S	CL-52-SHS			1-1/2					1-19/32						
CL-6-SHS	CL-6-SHS-S	CL-22-SHS	CL-22-SHS-S	CL-53-SHS			2					2-3/32						
CL-34-SHS	CL-34-SHS-S	CL-41-SHS	CL-41-SHS-S	CL-54-SHS			3					3-3/32						
CL-8-SHS	—	CL-24-SHS	—	CL-56-SHS	3/8-16	1-1/4	1-1/2	19/64	3/8	7/16	3/16	1-5/8	9/16	5/8	3/16	1-9/16	3/8	7/16
CL-9-SHS	CL-9-SHS-S	CL-25-SHS	CL-25-SHS-S	CL-57-SHS			2					2-1/8						
CL-35-SHS	CL-35-SHS-S	CL-42-SHS	CL-42-SHS-S	CL-58-SHS			3					3-1/8						
CL-36-SHS	CL-36-SHS-S	CL-43-SHS	CL-43-SHS-S	CL-59-SHS			4					4-1/8						
CL-11-SHS	—	CL-27-SHS	—	CL-61-SHS	1/2-13	1-1/4	1-1/2	13/32	15/32	1/2	3/16	1-9/16	3/4	17/32	3/16	1-19/32	1/2	9/16
CL-12-SHS	—	CL-28-SHS	—	CL-62-SHS			2					2-1/16						
CL-13-SHS	CL-13-SHS-S	CL-29-SHS	CL-29-SHS-S	CL-63-SHS			3					3-1/16						
CL-37-SHS	CL-37-SHS-S	CL-44-SHS	CL-44-SHS-S	CL-64-SHS			4					4-1/16						
CL-15-SHS	—	CL-31-SHS	—	CL-66-SHS	5/8-11	1-1/4	2	1/2	5/8	1/2	3/16	2-3/64	15/16	21/32	7/32	2-1/8	5/8	11/16
CL-16-SHS	—	CL-32-SHS	—	CL-67-SHS			3					3-3/64						
CL-38-SHS	—	CL-45-SHS	—	CL-68-SHS			4					4-3/64						
CL-39-SHS	—	CL-46-SHS	—	CL-69-SHS			5					5-3/64						

METRIC

CLM-1-SHS-BO	—	CLM-17A-SHS-BO	—	CLM-47-SHS-BO	M6	1	.98	3/16	9/32	5/16	1/8	1.08	3/8	23/64	1/8	1.03	1/4	5/16
CLM-2-SHS-BO	—	CLM-18A-SHS-BO	—	CLM-48-SHS-BO			1.57					1.67						
CLM-3-SHS-BO	—	CLM-19-SHS-BO	—	CLM-49-SHS-BO			1.97					2.07						
CLM-4-SHS-BO	—	CLM-40-SHS-BO	—	CLM-50-SHS-BO			2.95					3.05						
CLM-5-SHS-BO	—	CLM-20-SHS-BO	—	CLM-51-SHS-BO	M8	1-1/8	.98	1/4	11/32	3/8	3/16	1.08	1/2	27/64	5/32	1.05	5/16	23/64
CLM-6-SHS-BO	—	CLM-21-SHS-BO	—	CLM-52-SHS-BO			1.57					1.67						
CLM-7-SHS-BO	—	CLM-22-SHS-BO	—	CLM-53-SHS-BO			1.97					2.06						
CLM-8-SHS-BO	—	CLM-41-SHS-BO	—	CLM-54-SHS-BO			2.95					3.05						
CLM-9-SHS-BO	—	CLM-24-SHS-BO	—	CLM-56-SHS-BO	M10	1-1/4	1.57	19/64	3/8	7/16	3/16	1.70	9/16	5/8	3/16	1.61	3/8	7/16
CLM-10-SHS-BO	—	CLM-25-SHS-BO	—	CLM-57-SHS-BO			1.97					2.10						
CLM-11-SHS-BO	—	CLM-42-SHS-BO	—	CLM-58-SHS-BO			2.95					3.08						
CLM-12-SHS-BO	—	CLM-43-SHS-BO	—	CLM-59-SHS-BO			3.94					4.06						
CLM-11A-SHS-BO	—	CLM-27-SHS-BO	—	CLM-61-SHS-BO	M12	1-1/4	1.57	13/32	15/32	1/2	3/16	1.64	3/4	17/32	3/16	1.69	1/2	9/16
CLM-12A-SHS-BO	—	CLM-28-SHS-BO	—	CLM-62-SHS-BO			1.97					2.03						
CLM-13-SHS-BO	—	CLM-29-SHS-BO	—	CLM-63-SHS-BO			2.95					3.01						
CLM-14-SHS-BO	—	CLM-44-SHS-BO	—	CLM-64-SHS-BO			3.94					4.00						
CLM-15-SHS-BO	—	CLM-31-SHS-BO	—	CLM-66-SHS-BO	M16	1-1/4	1.97	1/2	5/8	1/2	3/16	2.01	15/16	21/32	7/32	2.06	5/8	11/16
CLM-16-SHS-BO	—	CLM-32-SHS-BO	—	CLM-67-SHS-BO			2.95					3.00						
CLM-17-SHS-BO	—	CLM-45-SHS-BO	—	CLM-68-SHS-BO			3.94					3.98						
CLM-18-SHS-BO	—	CLM-46-SHS-BO	—	CLM-69-SHS-BO			4.92					4.97						

* Inch sizes are available zinc plated or with black oxide finish. Metric sizes are available only with black oxide finish (-BO only).

SWIVEL SCREW CLAMPS

BODY: 12L14 OR 1144 STEEL, HEAT TREATED, ZINC PLATED YELLOW CHROMATE (OR 300-SERIES STAINLESS STEEL)
 FOOT: 12L14 STEEL, ZINC PLATED YELLOW CHROMATE (OR 300-SERIES STAINLESS STEEL, OR DELRIN®)

INFO+: Socket-head swivel-screw assemblies that combine the bodies on page 118 with the feet on page 119. The steel version is optionally available with black oxide finish by adding “-BO” to the part number (example: CL-2-SSC-BO). Type A and B feet are optionally available in Delrin® by adding “N” to the part number (examples: CL-2-SSCN, CL-2-SSC-BON, CL-2-SSC-SN).



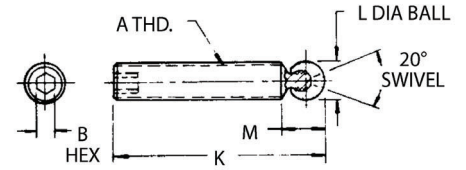
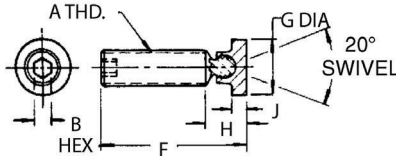
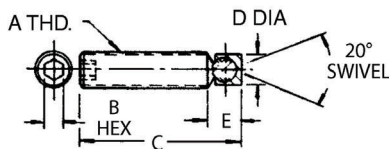
Type A: Small Foot



Type B: Large Foot



Type D: Ball Foot



INCH

TYPE A STEEL PART NO.*	TYPE A STAINLESS PART NO.	TYPE B STEEL PART NO.*	TYPE B STAINLESS PART NO.	TYPE D STEEL PART NO.*	A	B	C	D DIA	E	F	G DIA	H	J	K	L DIA	M
CL-1-SSC	—	CL-20-SSC	—	CL-47-SSC	1/4-20	1/8	1/2	3/16	9/32	19/32	3/8	23/64	1/8	.69	1/4	5/16
CL-2-SSC	CL-2-SSC-S	CL-21-SSC	CL-21-SSC-S	CL-48-SSC			3/4			27/32				.89		
CL-3-SSC	CL-3-SSC-S	CL-22-SSC	CL-22-SSC-S	CL-49-SSC			1			1-3/32				1.08		
CL-4-SSC	CL-4-SSC-S	CL-23-SSC	CL-23-SSC-S	CL-50-SSC	5/16-18	5/32	1-1/2	1/4	11/32	1-19/32	1/2	27/64	5/32	1.67	5/16	23/64
CL-5-SSC	—	CL-24-SSC	—	CL-51-SSC			3/4			27/32				.88		
CL-6-SSC	CL-6-SSC-S	CL-25-SSC	CL-25-SSC-S	CL-52-SSC			1			1-3/32				1.08		
CL-7-SSC	CL-7-SSC-S	CL-26-SSC	CL-26-SSC-S	CL-53-SSC	3/8-16	3/16	1-1/2	19/64	3/8	1-19/32	9/16	5/8	3/16	1.67	3/8	7/16
CL-8-SSC	CL-8-SSC-S	CL-27-SSC	CL-27-SSC-S	CL-54-SSC			2			2-3/32				2.06		
CL-9-SSC	—	CL-28-SSC	—	CL-55-SSC			3/4			7/8				.91		
CL-10-SSC	—	CL-29-SSC	—	CL-56-SSC	1/2-13	1/4	1	13/32	15/32	1-1/8	3/4	17/32	3/16	1.11	1/2	9/16
CL-11-SSC	CL-11-SSC-S	CL-30-SSC	CL-30-SSC-S	CL-57-SSC			1-1/2			19/64				1.70		
CL-12-SSC	CL-12-SSC-S	CL-31-SSC	CL-31-SSC-S	CL-58-SSC			2			2-1/8				2.10		
CL-39-SSC	CL-39-SSC-S	CL-43-SSC	CL-43-SSC-S	CL-59-SSC	5/8-11	5/16	3	1/2	5/8	3-1/8	15/16	21/32	7/32	3.08	5/8	11/16
CL-14-SSC	—	CL-33-SSC	—	CL-61-SSC			1-1/2			1-9/16				1.64		
CL-15-SSC	CL-15-SSC-S	CL-34-SSC	CL-34-SSC-S	CL-62-SSC			2			2-1/16				2.03		
CL-16-SSC	CL-16-SSC-S	CL-35-SSC	CL-35-SSC-S	CL-63-SSC	CLM-1-SSC-BO	3mm	3	13/32	15/32	3-1/16	3/4	17/32	3/16	3.01	1/2	9/16
CL-40-SSC	CL-40-SSC-S	CL-44-SSC	CL-44-SSC-S	CL-64-SSC			4			4-1/16				4.00		
CL-18-SSC	—	CL-37-SSC	—	CL-66-SSC			2			2-3/64				2.01		
CL-19-SSC	—	CL-38-SSC	—	CL-67-SSC	CLM-2-SSC-BO	4mm	3	1/2	5/8	3-3/64	15/16	21/32	7/32	2.99	5/8	11/16
CL-41-SSC	—	CL-45-SSC	—	CL-68-SSC			4			4-3/64				3.98		
CL-42-SSC	—	CL-46-SSC	—	CL-69-SSC			5			5-3/64				4.97		

METRIC

CLM-1-SSC-BO	—	CLM-20A-SSC-BO	—	CLM-47-SSC-BO	A	B	C	D DIA	E	F	G DIA	H	J	K	L DIA	M
CLM-2-SSC-BO	—	CLM-21A-SSC-BO	—	CLM-48-SSC-BO	M6	3mm	.59	3/16	9/32	.69	3/8	23/64	1/8	.69	1/4	5/16
CLM-3-SSC-BO	—	CLM-22-SSC-BO	—	CLM-49-SSC-BO			.79			.89				1.08		
CLM-4-SSC-BO	—	CLM-23-SSC-BO	—	CLM-50-SSC-BO			.98			1.08				1.67		
CLM-5-SSC-BO	—	CLM-24-SSC-BO	—	CLM-51-SSC-BO	M8	4mm	1.57	1/4	11/32	1.67	1/2	27/64	5/32	1.67	5/16	23/64
CLM-6-SSC-BO	—	CLM-25-SSC-BO	—	CLM-52-SSC-BO			.79			.88				1.08		
CLM-7-SSC-BO	—	CLM-26-SSC-BO	—	CLM-53-SSC-BO			.98			1.08				1.67		
CLM-8-SSC-BO	—	CLM-27-SSC-BO	—	CLM-54-SSC-BO	M10	5mm	1.57	19/64	3/8	1.67	9/16	5/8	3/16	1.67	3/8	7/16
CLM-9-SSC-BO	—	CLM-28-SSC-BO	—	CLM-55-SSC-BO			1.97			2.06				2.06		
CLM-10-SSC-BO	—	CLM-29-SSC-BO	—	CLM-56-SSC-BO			.79			.91				1.11		
CLM-11-SSC-BO	—	CLM-30-SSC-BO	—	CLM-57-SSC-BO	M12	6mm	.98	13/32	15/32	1.11	3/4	17/32	3/16	1.11	1/2	9/16
CLM-12-SSC-BO	—	CLM-31-SSC-BO	—	CLM-58-SSC-BO			1.57			1.64				1.64		
CLM-13-SSC-BO	—	CLM-32-SSC-BO	—	CLM-59-SSC-BO			1.97			2.03				2.03		
CLM-14-SSC-BO	—	CLM-33-SSC-BO	—	CLM-61-SSC-BO	M16	8mm	2.95	1/2	5/8	3.01	15/16	21/32	7/32	3.01	5/8	11/16
CLM-15-SSC-BO	—	CLM-34-SSC-BO	—	CLM-62-SSC-BO			3.94			4.00				4.00		
CLM-16-SSC-BO	—	CLM-35-SSC-BO	—	CLM-63-SSC-BO			1.97			2.01				2.01		
CLM-17-SSC-BO	—	CLM-36-SSC-BO	—	CLM-64-SSC-BO	CLM-19-SSC-BO	8mm	2.95	1/2	5/8	2.99	15/16	21/32	7/32	2.99	5/8	11/16
CLM-18-SSC-BO	—	CLM-37-SSC-BO	—	CLM-66-SSC-BO			3.94			3.98				3.98		
CLM-19-SSC-BO	—	CLM-38-SSC-BO	—	CLM-67-SSC-BO			4.92			4.97				4.97		

* Inch sizes are available zinc plated or with black oxide finish. Metric sizes are available only with black oxide finish (-BO only).

BALL-END THRUST SCREWS

BODY: ALLOY STEEL, BLACK OXIDE FINISH
BALL: 440C STAINLESS STEEL OR WHITE DELRIN® 500



**Rolling Ball
(Stainless Steel)**



**Rolling Ball
(Delrin)**

New item!

Ball-End Thrust Screws are heavy-duty screw clamps with a hardened stainless-steel ball contained in the end. Available with either a spherical rolling ball or a swivel ball with a flat contact surface. Both ball options are optionally available in Delrin material. These thrust screws have a large head and large hex-socket for excellent strength.

The rolling-ball version shown above is available in thread sizes from 1/4-20 to 5/8-11 (M6 to M16 in metric), each in a choice of two lengths.

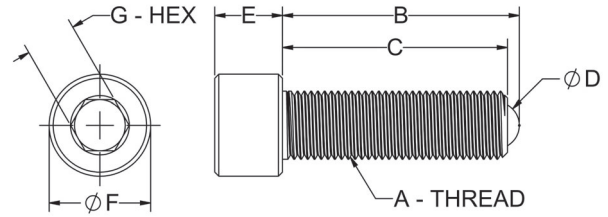


**Swivel Ball with Flat
(Stainless Steel)**



**Swivel Ball with Flat
(Delrin)**

The swivel-ball version shown here is available in thread sizes from 3/8-16 to 5/8-11 (M10 to M16 in metric), each in a choice of two lengths.

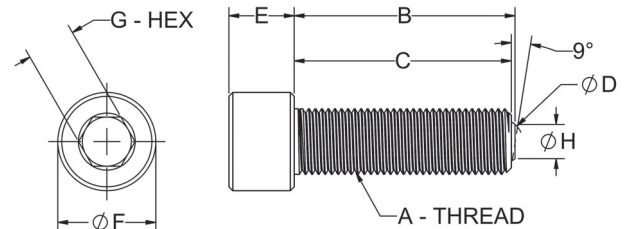


ROLLING BALL (INCH)

PART NO.		A THREAD	B	C	D DIA	E	F DIA	G
STAINLESS STEEL BALL	DELTRIN BALL							
CL-4-BTS-1.00	CL-4-BTSN-1.00	1/4-20	1.03	1	5/32	.25	.38	3/16
CL-4-BTS-2.00	CL-4-BTSN-2.00	1/4-20	2.03	2	5/32	.25	.38	3/16
CL-6-BTS-2.00	CL-6-BTSN-2.00	3/8-16	2.06	2	1/4	.38	.56	5/16
CL-6-BTS-3.00	CL-6-BTSN-3.00	3/8-16	3.06	3	1/4	.38	.56	5/16
CL-8-BTS-3.00	CL-8-BTSN-3.00	1/2-13	3.12	3	11/32	.50	.75	3/8
CL-8-BTS-4.00	CL-8-BTSN-4.00	1/2-13	4.12	4	11/32	.50	.75	3/8
CL-80-BTS-1.75	CL-80-BTSN-1.75	1/2-20 Fine	1.87	1-3/4	11/32	.50	.75	3/8
CL-10-BTS-4.00	CL-10-BTSN-4.00	5/8-11	4.15	4	7/16	.63	.94	1/2
CL-10-BTS-5.00	CL-10-BTSN-5.00	5/8-11	5.15	5	7/16	.63	.94	1/2

ROLLING BALL (METRIC)

PART NO.		A THREAD	THREAD PITCH (mm)	B (mm)	C (mm)	D DIA (mm)	E (mm)	F DIA (mm)	G (mm)
STAINLESS STEEL BALL	DELTRIN BALL								
CLM-6-BTS-25	CLM-6-BTSN-25	M6	1	26	25	4.37	6	10	5
CLM-6-BTS-50	CLM-6-BTSN-50	M6	1	51	50	4.37	6	10	5
CLM-10-BTS-50	CLM-10-BTSN-50	M10	1.5	52.4	50	7.14	10	16	8
CLM-10-BTS-75	CLM-10-BTSN-75	M10	1.5	77.4	75	7.14	10	16	8
CLM-12-BTS-75	CLM-12-BTSN-75	M12	1.75	77.7	75	8.73	12	18	10
CLM-12-BTS-100	CLM-12-BTSN-100	M12	1.75	102.7	100	8.73	12	18	10
CLM-16-BTS-100	CLM-16-BTSN-100	M16	2	103.9	100	11.11	16	24	14
CLM-16-BTS-125	CLM-16-BTSN-125	M16	2	128.9	125	11.11	16	24	14



SWIVEL BALL WITH FLAT (INCH)

PART NO.		A THREAD	B	C	D DIA	E	F DIA	G	H DIA
STAINLESS STEEL BALL	DELTRIN BALL								
CL-6-BTSF-2.00	CL-6-BTSFN-2.00	3/8-16	2.03	2	1/4	.38	.56	5/16	.16
CL-6-BTSF-3.00	CL-6-BTSFN-3.00	3/8-16	2.03	3	1/4	.38	.56	5/16	.16
CL-8-BTSF-3.00	CL-8-BTSFN-3.00	1/2-13	3.06	3	11/32	.50	.75	3/8	.24
CL-8-BTSF-4.00	CL-8-BTSFN-4.00	1/2-13	4.06	4	11/32	.50	.75	3/8	.24
CL-80-BTSF-1.75	CL-80-BTSFN-1.75	1/2-20 Fine	1.81	1-3/4	11/32	.50	.75	3/8	.24
CL-10-BTSF-4.00	CL-10-BTSFN-4.00	5/8-11	4.06	4	7/16	.63	.94	1/2	.35
CL-10-BTSF-5.00	CL-10-BTSFN-5.00	5/8-11	5.06	5	7/16	.63	.94	1/2	.35

SWIVEL BALL WITH FLAT (METRIC)

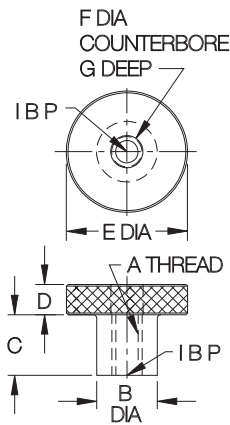
PART NO.		A THREAD	THREAD PITCH (mm)	B (mm)	C (mm)	D DIA (mm)	E (mm)	F DIA (mm)	G (mm)	H DIA (mm)
STAINLESS STEEL BALL	DELTRIN BALL									
CLM-10-BTSF-50	CLM-10-BTSFN-50	M10	1.5	51.1	50	7.14	10	16	8	5.5
CLM-10-BTSF-75	CLM-10-BTSFN-75	M10	1.5	76.1	75	7.14	10	16	8	5.5
CLM-12-BTSF-75	CLM-12-BTSFN-75	M12	1.75	76.5	75	8.73	12	18	10	6.1
CLM-12-BTSF-100	CLM-12-BTSFN-100	M12	1.75	101.5	100	8.73	12	18	10	6.1
CLM-16-BTSF-100	CLM-16-BTSFN-100	M16	2	101.6	100	11.11	16	24	14	9
CLM-16-BTSF-125	CLM-16-BTSFN-125	M16	2	126.6	125	11.11	16	24	14	9

KNURLED KNOBS

STEEL: 12L14, CARBURIZED-HARDENED, BLACK OXIDE FINISH.
STAINLESS STEEL: 300-SERIES, PASSIVATED



High-quality knurled-head knob provides a positive grip for quick finger tightening in light clamping applications. Available in steel with a black oxide finish or stainless steel.



STEEL (INCH)

PART NO.	A	B DIA	C	D	E DIA	F DIA	G
CL-4-KK	1/4-20	5/8	1/2	1/4	1	NONE	NONE
CL-5-KK	5/16-18	5/8	1/2	5/16	1-1/4		
CL-6-KK	3/8-16	3/4	5/8	1/2	1-1/4		
CL-8-KK	1/2-13	1	3/4	1/2	1-1/2		

STAINLESS STEEL (INCH)

PART NO.	A	B DIA	C	D	E DIA	F DIA	G
CL-16312	#10-24	3/8	1/4	3/16	1/2	NONE	NONE
CL-16322			1/2			13/64	1/4
CL-16314			1/4	3/16	1	NONE	NONE
CL-16324			1/2			13/64	1/4
CL-16412	#10-32	3/8	1/4	3/16	1/2	NONE	NONE
CL-16422			1/2			13/64	1/4
CL-16414			1/4	3/16	1	NONE	NONE
CL-16424			1/2			13/64	1/4
CL-16513	1/4-20	1/2	1/4	1/4	3/4	NONE	NONE
CL-16514			1/4	1/4	1	NONE	NONE
CL-16524			1/2			17/64	1/4
CL-16534			3/4	17/64	1/2		
CL-16625	5/16-18	5/8	1/2	5/16	1-1/4	21/64	1/4
CL-16635			3/4			1/2	
CL-16725	3/8-16	3/4	1/2	3/8	1-1/4	25/64	1/4
CL-16735			3/4			1/2	
CL-8-KK-S	1/2-13	1	3/4	1/2	1-1/2	NONE	NONE

STEEL (METRIC)

PART NO.	A	B DIA	C	D	E DIA	F DIA	G
CLM-5-KK	M5	.39	.30	.16	.79	NONE	NONE
CLM-6-KK	M6	.47	.39	.20	.94		
CLM-8-KK	M8	.63	.47	.24	1.18		
CLM-10-KK	M10	.79	.59	.31	1.42		
CLM-12-KK	M12	.79	.59	.31	1.57		

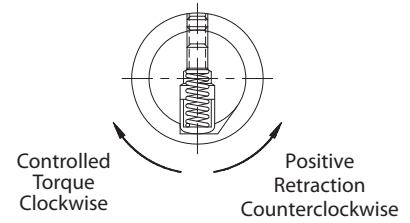
STAINLESS STEEL (METRIC)

PART NO.	A	B DIA	C	D	E DIA	F DIA	G
CLM-5-KK-S	M5	.39	.30	.16	.79	NONE	NONE
CLM-6-KK-S	M6	.47	.39	.20	.94		
CLM-8-KK-S	M8	.63	.47	.24	1.18		
CLM-10-KK-S	M10	.79	.59	.31	1.42		
CLM-12-KK-S	M12	.79	.59	.31	1.57		

ADJUSTABLE-TORQUE THUMB SCREWS

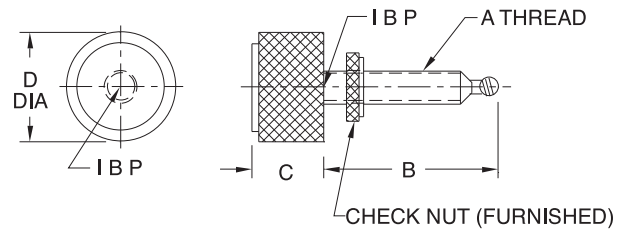
SCREW: 12L14 STEEL, CARBURIZED-HARDENED, BLACK OXIDE FINISH
 KNOB: 12L14 STEEL, BLACK OXIDE FINISH
 SPRING: MUSIC WIRE

3



Knurled-head thumb screw that exerts positive, repeatable force. Clockwise, the knob declutches and turns freely when you reach the desired torque. Counterclockwise, the knob locks for positive retraction. Adjustable-Torque Thumb Screws are furnished with your choice of swivel foot, and a Knurled Check Nut.

To set desired force, first remove the outer cover screw at the side of the knob, to expose the adjustment screw. Next, insert a hex wrench to turn the adjustment screw until desired torque is achieved. Reinstall the outer cover screw when finished. Torque can be adjusted from 3 to 6 inch-lbs, resulting in a contact force of 10 to 125 lbs, but these values are approximate. Force can vary +/- 30% depending on lubrication and other operating conditions.



Choice of four foot types. Adjustable-Torque Thumb Screws use our patented left-hand-thread swivel-foot system. The ball end of the body screws into the foot for easy installation and removal. Once the ball threads pass beyond the foot threads, the foot can rotate and pivot freely (20° total angle). Foot threads are left-hand to positively prevent accidental backout during use. Delrin® feet are optional for types A and B. To order with a Delrin® foot, add "N" to the part number, e.g. CL-415-TSAN. Note: Delrin® feet are not threaded – they snap on and off.



INCH

PART NO.				A	B	C	D DIA	ADJUSTMENT RANGE	
DOG POINT	A FOOT	B FOOT	D FOOT					TORQUE (IN.-LBS)	END FORCE (LBS)*
CL-312-TS	—	—	—	#10-24	1-1/4	21/32	15/16	3-6	10-125
CL-312A-TS	—	—	—	#10-32	—				
—	CL-415-TSA	CL-415-TSB	CL-415-TSD	1/4-20	1-1/2				
—	CL-425-TSA	CL-425-TSB	CL-425-TSD	—	2-1/2	5/16-18	—	—	—
—	CL-517-TSA	CL-517-TSB	CL-517-TSD	—	1-3/4				
—	CL-527-TSA	CL-527-TSB	CL-527-TSD	—	2-3/4	3/8-16	—	—	—
—	CL-620-TSA	CL-620-TSB	CL-620-TSD	—	2				
—	CL-630-TSA	CL-630-TSB	CL-630-TSD	—	3				
—	CL-820-TSA	CL-820-TSB	CL-820-TSD	1/2-13	2	21/32	1-3/16	3-6	10-125
—	CL-830-TSA	CL-830-TSB	CL-830-TSD	—	3				
—	CL-1020-TSA	CL-1020-TSB	CL-1020-TSD	—	2				
—	CL-1030-TSA	CL-1030-TSB	CL-1030-TSD	5/8-11	3	—	—	—	—

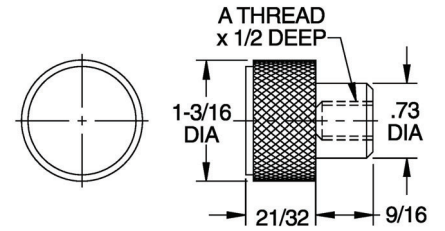
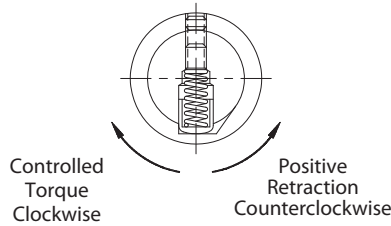
METRIC

PART NO.				A	B	C	D DIA	ADJUSTMENT RANGE	
DOG POINT	A FOOT	B FOOT	D FOOT					TORQUE (IN.-LBS)	END FORCE (LBS)*
CLM-5-TS	—	—	—	M5	1.18	21/32	15/16	3-6	10-125
—	CLM-6-TSA	CLM-6-TSB	CLM-6-TSD	M6	2.53				
—	CLM-8-TSA	CLM-8-TSB	CLM-8-TSD	M8	2.71				
—	CLM-10-TSA	CLM-10-TSB	CLM-10-TSD	M10	2.90	21/32	1-3/16	3-6	10-125
—	CLM-12-TSA	CLM-12-TSB	CLM-12-TSD	M12	2.89				
—	CLM-16-TSA	CLM-16-TSB	CLM-16-TSD	M16	2.88				

* End force can vary +/-30% depending on lubrication and other operating conditions.

ADJUSTABLE-TORQUE KNOBS

KNOB: 12L14 STEEL, BLACK OXIDE FINISH
SPRING: 17-7 PH STAINLESS STEEL



Knurled knob that exerts positive, repeatable force. Clockwise, the knob declutches and turns freely when you reach the desired torque. Counterclockwise, the knob locks for positive retraction. Can be used as a controlled-torque nut, or as a thumb screw by installing a custom-made screw in the tapped hole.

To set desired force, first remove the outer cover screw at the side of the knob, to expose the adjustment screw. Next, insert a hex wrench to turn the adjustment screw until desired torque is achieved. Reinstall the outer cover screw when finished. Torque can be adjusted from 3 to 6 inch-lbs, resulting in a contact force of 10 to 125 lbs, but these values are approximate. Force can vary +/- 30% depending on lubrication and other operating conditions.

INCH

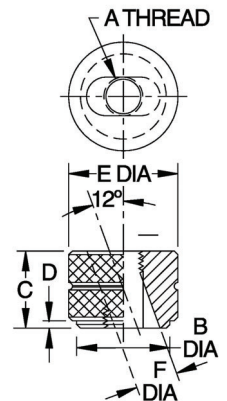
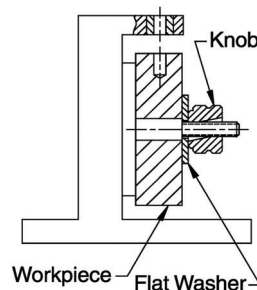
PART NO.	A	ADJUSTMENT RANGE	
		TORQUE (IN.-LBS)	END FORCE (LBS)*
CL-4-ATK	1/4-20	3-6	10-125
CL-5-ATK	5/16-18		10-125
CL-6-ATK	3/8-16		10-125
CL-8-ATK	1/2-13		10-125

METRIC

CLM-6-ATK	M6	3-6	10-125
CLM-8-ATK	M8		10-125
CLM-10-ATK	M10		10-125
CLM-12-ATK	M12		10-125

QUICK-ACTING KNURLED KNOBS

12L14 STEEL, BLACK OXIDE FINISH



INCH

PART NO.	A	B DIA	C	D	E DIA	F DIA
CL-1-QKK	#10-24	1/2	7/16		5/8	7/32
CL-2-QKK	1/4-20	5/8	9/16	1/16	3/4	9/32
CL-3-QKK	5/16-18	3/4	5/8		7/8	11/32
CL-4-QKK	3/8-16	7/8	3/4	1/8	1	13/32
CL-5-QKK	1/2-13	1			1-1/8	17/32

METRIC

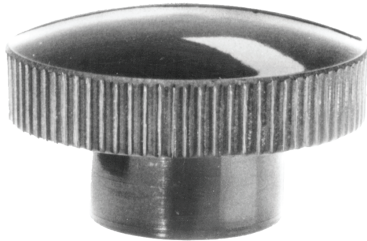
CLM-5-QKK	M5	.51	.43		5/8	.23
CLM-6-QKK	M6	.63	.55	.08	3/4	.27
CLM-8-QKK	M8	.75	.63	.12	7/8	.35
CLM-10-QKK	M10	.87			1	.42
CLM-12-QKK	M12	.98	.75	.12	1-1/8	.50

Quick-acting knob that slides in and out of clamping position, ideal when the knob must be completely removed for loading. Tilt knob to slide in, then straighten to engage threads and tighten. To remove, loosen knob, then tilt to slide out. For full strength, use a stud that extends slightly beyond the knob, to engage all threads.

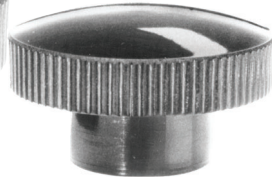
KNURLED KNOBS

KNOB: BLACK PHENOLIC PLASTIC OR THERMOPLASTIC, WITH BRASS INSERT
 STUD: MILD STEEL, ZINC PLATED CLEAR CHROMATE

3



5/16-18 CL-642-KTK
 3/8-16 CL-652-KTK
 M8 CLM-642-KTK
 M10 CLM-652-KTK



1/4-20 CL-532-KTK
 5/16-18 CL-542-KTK
 M6 CLM-532-KTK
 M8 CLM-542-KTK



#10-32 CL-424-KTK
 1/4-20 CL-432-KTK
 M5 CLM-422-KTK
 M6 CLM-432-KTK



#10-32 CL-324-KTK
 1/4-20 CL-332-KTK
 M5 CLM-322-KTK



#10-32 CL-124-KTK



#6-32 CL-202-KTK
 #8-32 CL-212-KTK

Thermoplastic — Tapped

Phenolic — Tapped



Phenolic — Stud Type



1/4-20 X 1/2 CL-532-KTK-8
 5/16-18 X 1 CL-542-KTK-16
 M8 X 25mm CLM-542-KTK-25

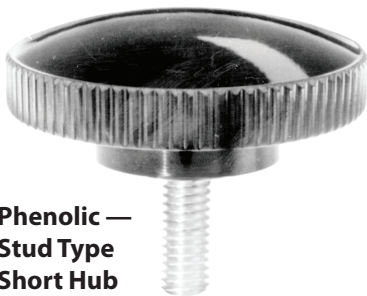


1/4-20 X 1 CL-432-KTK-16
 M6 X 25mm CLM-432-KTK-25



#8-32 X 1/2 CL-312-KTK-8
 #10-32 X 1/2 CL-324-KTK-8
 #10-32 X 1 CL-324-KTK-16
 1/4-20 X 1/2 CL-332-KTK-8
 M5 X 20mm CLM-322-KTK-20

3/8-16 X 1 CL-652-KTK-16
 M10 X 25mm CLM-652-KTK-25

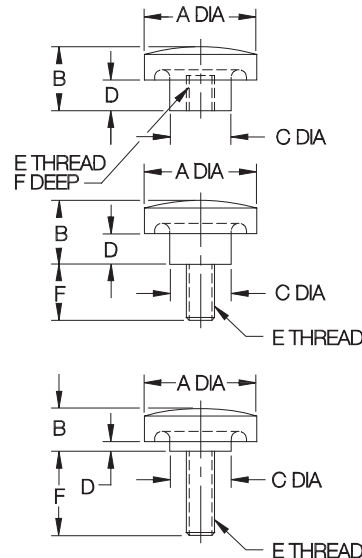


Phenolic — Stud Type Short Hub

3/8-16 X 1 CL-656-KTK-16



#6-32 X 3/4 CL-406-KTK-12
 1/4-20 X 3/4 CL-436-KTK-12



Knurled head provides a positive grip for finger tightening in light clamping applications. Choice of six knob sizes. Molded-in brass insert provides superior thread strength. Also available with a molded-in clamping stud. Non-standard thread sizes, or other lengths of molded-in studs are available in quantities of 500 and above. Note: Catalog photos are actual size.

THERMOPLASTIC — TAPPED (INCH)

PART NO.	A DIA	B	C DIA	D	E	F
CL-202-KTK	3/4	15/32	5/8	1/4	#6-32	5/16
CL-212-KTK					#8-32	

PHENOLIC — TAPPED (INCH & METRIC)

CL-124-KTK					#10-32	5/16
CL-324-KTK	5/8	9/16	1/2	—	#10-32	
CL-332-KTK	3/4	17/32	7/16	1/16	1/4-20	5/16
CLM-322-KTK					M5	
CL-424-KTK					#10-32	
CL-432-KTK	1	21/32	5/8	5/16	1/4-20	5/16
CLM-422-KTK					M5	
CLM-432-KTK					M6	3/8
CL-532-KTK					1/4-20	
CL-542-KTK	1-3/8	25/32	3/4	3/8	5/16-18	7/16
CLM-532-KTK					M6	
CLM-542-KTK					M8	
CL-642-KTK					5/16-18	7/16
CL-652-KTK	1-7/8	1	1	1/2	3/8-16	1/2
CLM-642-KTK					M8	7/16
CLM-652-KTK					M10	1/2

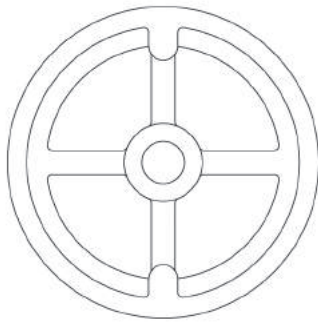
PHENOLIC — STUD TYPE (INCH & METRIC)

CL-312-KTK-8					#8-32	1/2
CL-324-KTK-8					#10-32	1
CL-324-KTK-16	3/4	17/32	7/16	1/16	1/4-20	1/2
CL-332-KTK-8					M5	.79
CLM-322-KTK-20					M5	.79
CL-432-KTK-16	1	21/32	5/8	5/16	1/4-20	1
CLM-432-KTK-25					M6	.98
CL-532-KTK-8					1/4-20	1/2
CL-542-KTK-16	1-3/8	25/32	3/4	3/8	5/16-18	1
CLM-542-KTK-25					M8	.98
CL-652-KTK-16	1-7/8	1	1	1/2	3/8-16	1
CLM-652-KTK-25					M10	.98

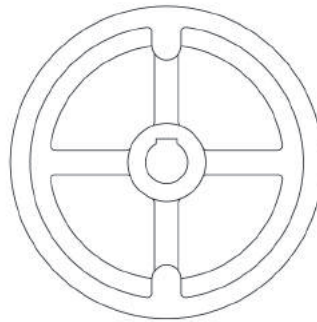
PHENOLIC — STUD TYPE, SHORT HUB (INCH)

CL-406-KTK-12	1	13/32	1/2	1/16	#6-32	3/4
CL-436-KTK-12					1/4-20	
CL-656-KTK-16	1-7/8	3/4	1	1/4	3/8-16	1

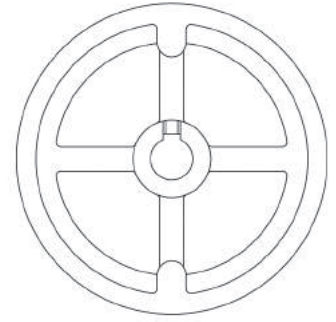
HAND-WHEEL MODIFICATIONS



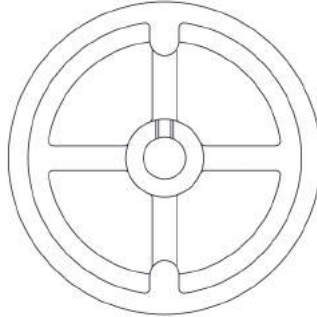
Bored Hole



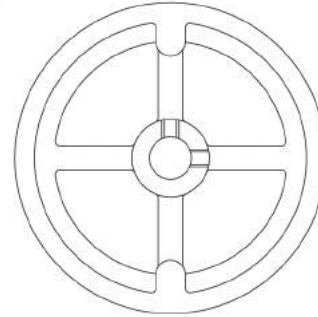
Bored Hole with Keyway



Bored Hole with Setscrew Hole over Keyway



Bored Hole with Setscrew Hole



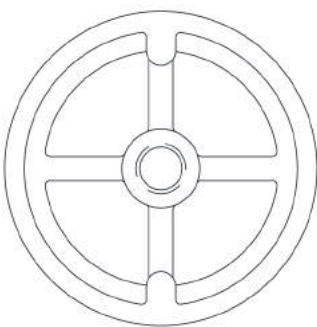
Bored Hole with 2 Setscrew Holes at 90°

BORE SIZE

HAND WHEEL DIA	STANDARD BORE SIZE (+0/+0.002)	MAXIMUM BORE SIZE
4	.375	.750
5	.375	1.000
6	.500	1.125
8	.625	1.375
10	.625	1.500
12	.750	2.000

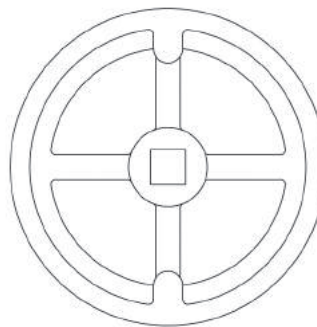
KEYWAYS & SETSCREWS

BORE SIZE	STANDARD SQUARE KEYWAY	STANDARD SETSCREW HOLE
.375-.438	3/32	#10-32
.439-.562	1/8	#10-32
.563-.875	3/16	1/4-20
.876-1.250	1/4	5/16-18
1.251-1.375	5/16	3/8-16
1.376-1.750	3/8	3/8-16
1.751-2.000	1/2	1/2-13



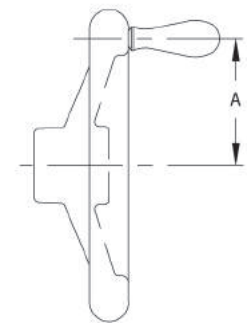
TAPPED HOLE

HAND WHEEL DIA	AVAILABLE THREAD SIZES
4	3/8 to 3/4, M10 to M20
5	3/8 TO 1, M10 to M24
6	1/2 to 1-1/4, M12 to M30
8	1/2 to 1-3/8, M12 to M36
10	5/8 to 1-1/2, M16 to M36
12	3/4 to 2, M20 to M48



SQUARE HOLE

HAND WHEEL DIA	AVAILABLE SQUARE HOLE SIZES
4	1/2
5	1/2, 5/8
6	1/2, 5/8
8	1/2, 5/8
10	1/2, 5/8
12	1/2, 5/8



HANDLE INSTALLATION

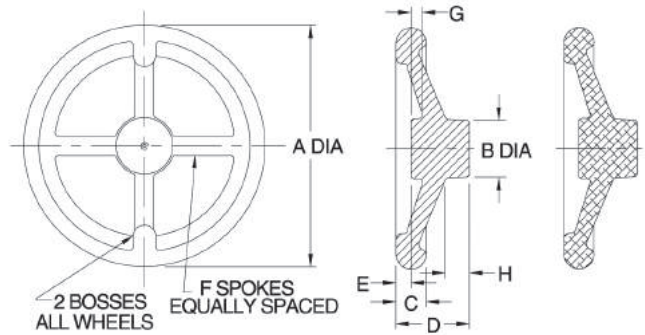
HAND WHEEL DIA	A
4	1-9/16
5	2
6	2-1/2
8	3-1/4
10	4-3/16
12	5-1/8

HAND WHEELS

CAST IRON PER ASTM-A48 CLASS 30 OR 319 ALUMINUM ALLOY



**Angled-Spoke
Rounded Design
Cast Iron or Aluminum**



**Cast Iron
HWAF** **Aluminum
HWAFA**

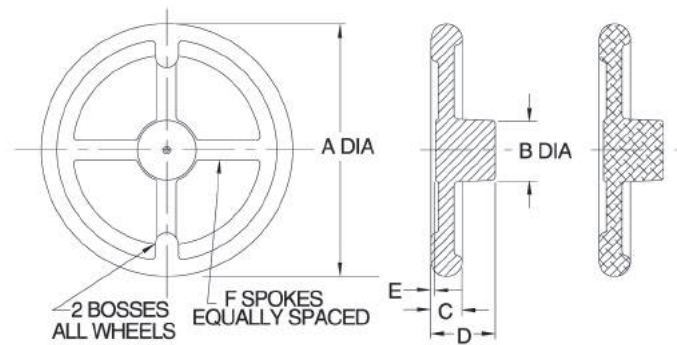
Utility-grade Hand Wheels that can be easily customized for any application. **INFO+**: See page 127 for factory modifications available. Wide range of sizes from 4 to 12" in diameter. Choose either cast iron for maximum strength, or aluminum for light weight.

ANGLED SPOKES

PART NO. CAST IRON	PART NO. ALUMINUM	A DIA	B DIA	C	D	E	F	G	H	J DIA	HANDLE		
											SIZE	SOLID	REVOLVING
CL-4-HWAF	CL-4-HWAFA	4	1-1/4	5/8	1-11/16	1/8	4	9/32	3/4	11/16	SIZE 2	INFO+: SEE PAGE 138	INFO+: SEE PAGES 139-141
CL-5-HWAF	CL-5-HWAFA	5	1-1/2	3/4	1-7/8	3/8		5/16		1			
CL-6-HWAF	CL-6-HWAFA	6	1-5/8	1	2	13/32	8	3/8	13/16	1	SIZE 4	INFO+: SEE PAGE 138	INFO+: SEE PAGES 139-141
CL-8-HWAF	CL-8-HWAFA	8	1-7/8		2-7/16	1/2		1-3/8		1			
CL-10-HWAF	CL-10-HWAFA	10	2-1/4	1	3-1/32	11/16	8	7/16	1-1/16	1-3/4	SIZE 5	INFO+: SEE PAGE 138	INFO+: SEE PAGES 139-141
CL-12-HWAF	CL-12-HWAFA	12	1		4-3/32	1-1/16		1-3/4	2-1/2				



**Straight-Spoke
Rounded Design
Cast Iron or Aluminum**



**Cast Iron
HWSF** **Aluminum
HWSFA**

Same as the Hand Wheels shown above, except with straight spokes for a flatter profile.

STRAIGHT SPOKES

PART NO. CAST IRON	PART NO. ALUMINUM	A DIA	B DIA	C	D	E	F	J DIA	HANDLE		
									SIZE	SOLID	REVOLVING
CL-4-HWSF	CL-4-HWSFA	4	1-1/4	5/8	1-11/16	1/8	4	11/16	SIZE 2	INFO+: SEE PAGE 138	INFO+: SEE PAGES 139-141
CL-5-HWSF	CL-5-HWSFA	5	1-1/2	3/4				1			
CL-6-HWSF	CL-6-HWSFA	6	1-5/8	1	1-13/16	5/32	8	1	SIZE 4	INFO+: SEE PAGE 138	INFO+: SEE PAGES 139-141
CL-8-HWSF	CL-8-HWSFA	8	1-7/8		2-1/16			1-3/8			
CL-10-HWSF	CL-10-HWSFA	10	2-1/4	1	2-1/2	1/8	8	1-3/4	SIZE 5	INFO+: SEE PAGE 138	INFO+: SEE PAGES 139-141
CL-12-HWSF	CL-12-HWSFA	12	3		3-1/4			2-1/2			

HAND WHEELS

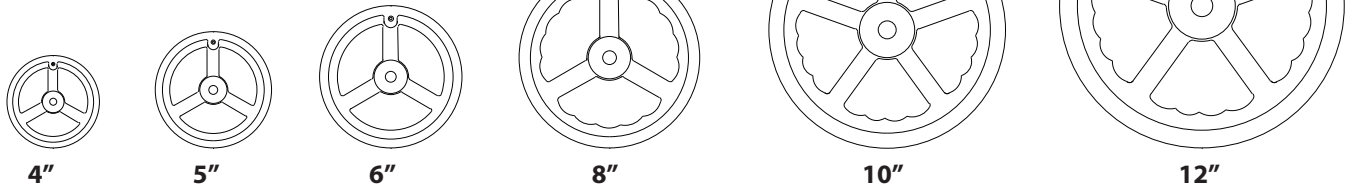
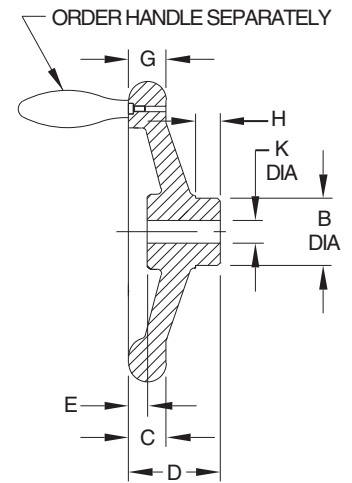
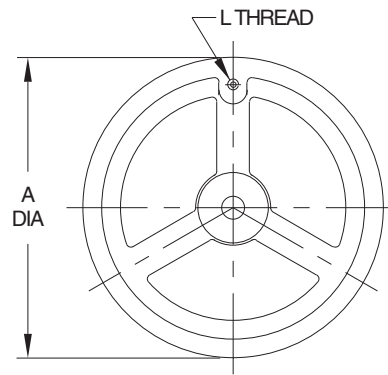
CAST IRON, CHROME PLATED



Angled-Spoke Rounded Design
Cast Iron
Chrome Plated with Polished Rim

High-quality Hand Wheel with contemporary design. Beautiful chrome-plated finish with a polished rim. Hand Wheel is bored to the standard shaft diameter for its size, and is also tapped for a standard Solid or Revolving Handle. Order handle separately. **INFO+**: See table below for matching rounded-design handle (stainless steel), or pages 138-141 for additional styles. To use without a handle, see table below to order a matching Handle Plug, for the tapped hole (chrome-plated steel).

Hand wheels up through 8" diameter have three spokes; sizes 10" and larger have five spokes. Sizes 8" and larger have a wavy inside rim for better gripping.



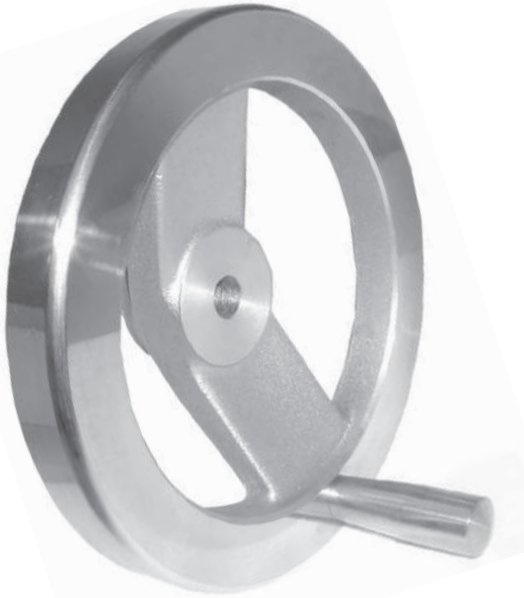
ORDER HAND WHEEL AND SOLID/REVOLVING HANDLE SEPARATELY

PART NO. WITH TAPPED HOLE FOR HANDLE	A DIA	B DIA	C	D	E	H	K DIA	L	MATCHING HANDLE			HANDLE PLUG
									SIZE	SOLID	REVOLVING	
CL-40-HWAR	4	1-1/8	9/16	1-1/2	7/16	1/2	3/8	1/4-20	SIZE 2	CL-250-SH-S	CL-250-RH-S	CL-2-HW-PLUG
CL-50-HWAR	5	1-1/4	19/32	1-5/8								
CL-60-HWAR	6	1-3/8	21/32	1-13/16	9/16	9/16	1/2	5/16-18	SIZE 3	CL-350-SH-S	CL-350-RH-S	CL-3-HW-PLUG
CL-80-HWAR	8	1-21/32	7/8	2-3/16	11/16	5/8	5/8					
CL-100-HWAR	10	1-7/8	15/16	2-3/8	23/32	3/4	3/4	3/8-16	SIZE 4	CL-450-SH-S	CL-450-RH-S	CL-4-HW-PLUG
CL-120-HWAR	12	2-5/32	1	2-1/2	23/32	7/8						

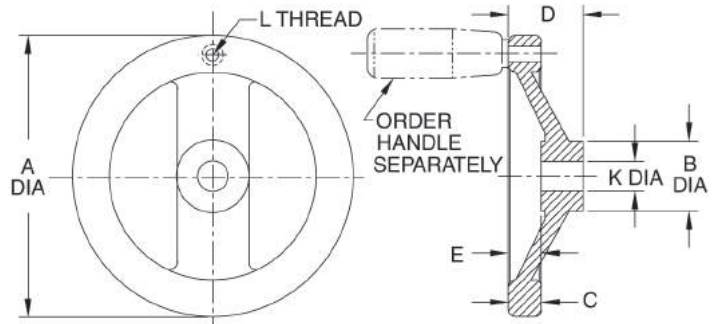
HAND WHEELS

ALUMINUM, GRAVITY DIE CAST

3



High-quality Hand Wheel with two spokes, with contemporary design. Rim is machined and highly polished on all sides. Spokes are shot blasted to a satin finish. These Hand Wheels are bored to the standard shaft diameter for their size, and are tapped for a Solid or Revolving Handle (also available without tapped hole for handle). Rim is concentric and square to the bore. Order Solid or Revolving Handle separately. Matching square-design stainless steel handles are recommended.



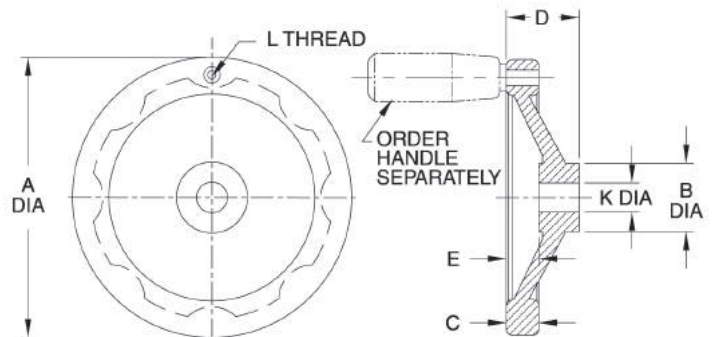
TWO-SPOKE SQUARE DESIGN — ALUMINUM

PART NO. WITH TAPPED HOLE FOR HANDLE	PART NO. WITHOUT TAPPED HOLE FOR HANDLE	A DIA	B DIA	C	D	E	K DIA	L	HANDLE		
									SIZE	SOLID	REVOLVING
CL-50-HWTS-A	CL-5-HWTS-A	4.92	1.22	.59	1.30	.59	.375	1/4-20	SIZE 2	SEE PAGE	SEE PAGES 139-141
CL-60-HWTS-A	CL-6-HWTS-A	6.30	1.42	.71	1.54	.75	.500	5/16-18	SIZE 3	138	
CL-80-HWTS-A	CL-8-HWTS-A	7.87	1.65	.81	1.77	.83	.625	3/8-16	SIZE 4		
CL-100-HWTS-A	CL-10-HWTS-A	9.84	1.89	.91	2.01	.91					

INFO+



High-quality aluminum Hand Wheel, with contemporary design. Rim is machined and highly polished on all sides. Solid inner dish is shot-blasted to a satin finish. These Hand Wheels are bored to the standard shaft diameter for their size, and are tapped for a Solid or Revolving Handle (also available without tapped hole for handle). Rim is concentric and square to the bore. Order Solid or Revolving Handle separately. Matching square-design stainless steel handles are recommended.



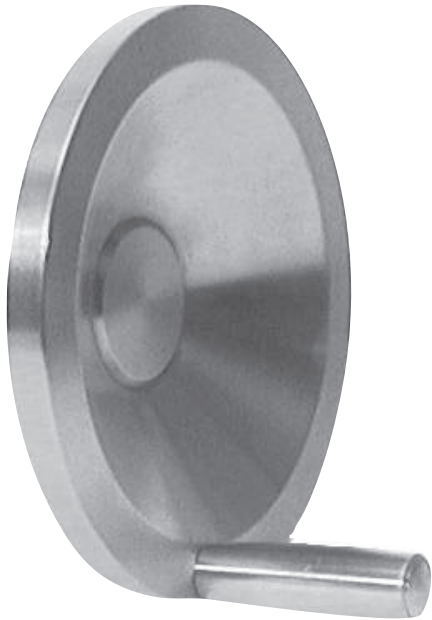
SOLID SQUARE DESIGN — ALUMINUM

PART NO. WITH TAPPED HOLE FOR HANDLE	PART NO. WITHOUT TAPPED HOLE FOR HANDLE	A DIA	B DIA	C	D	E	K DIA	L	HANDLE		
									SIZE	SOLID	REVOLVING
CL-40-HWSS-A	CL-4-HWSS-A	3.94	1.10	.55	1.18	.51	.375	1/4-20	SIZE 2	SEE PAGE 138	SEE PAGES 139-141
CL-50-HWSS-A	CL-5-HWSS-A	4.92	1.22	.59	1.30	.59					
CL-60-HWSS-A	CL-6-HWSS-A	6.30	1.42	.71	1.54	.75	.500	5/16-18	SIZE 3		
CL-80-HWSS-A	CL-8-HWSS-A	7.87	1.65	.81	1.77	.83	.625	3/8-16	SIZE 4		
CL-100-HWSS-A	CL-10-HWSS-A	9.84	1.89	.91	2.01	.91					

INFO+

HAND WHEELS

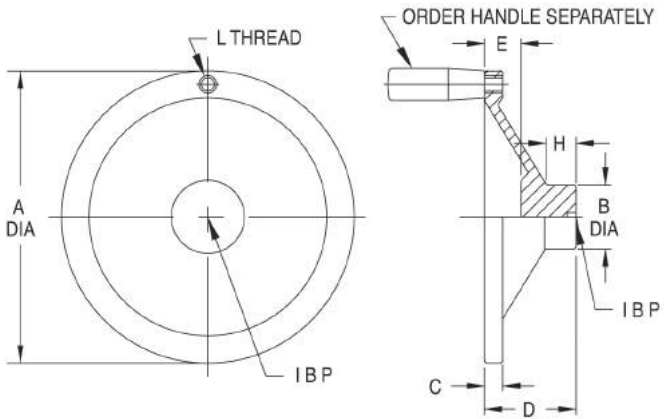
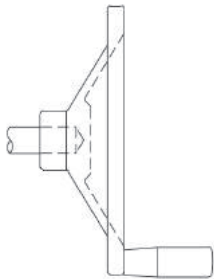
300-SERIES STAINLESS STEEL



**Solid Square Design
Stainless Steel**

High-quality, stainless steel Hand Wheel. Contemporary square design, completely machined to a fine finish from solid 300-series stainless steel. This precision Hand Wheel is extremely strong, yet light weight. Stainless steel Hand Wheels are center drilled, and also tapped for a standard Solid or Revolving Handle. Order handle separately. **INFO+**: See table below for matching square-design handle (stainless steel), or pages 138-141 for additional styles.

3



These Hand Wheels can be bored with a blind hole to hide the shaft, for an extremely attractive finished appearance.

ORDER HAND WHEEL AND SOLID/REVOLVING HANDLE SEPARATELY

PART NO. WITH TAPPED HOLE FOR HANDLE	A DIA	B DIA	C	D	E	H	L	MATCHING HANDLE		
								SIZE	SOLID	REVOLVING
CL-30-HWSS-S	3	.87	1/4	1.10	.43	3/8	1/4-20	SIZE 1	CL-100-SH-S	CL-100-RH-S
CL-40-HWSS-S	4	1.02	5/16	1.25	.54	7/16		SIZE 2	CL-200-SH-S	CL-200-RH-S
CL-60-HWSS-S	6	1.50	1/2	1.50	.63	1/2	5/16-18	SIZE 3	CL-300-SH-S	CL-300-RH-S
CL-80-HWSS-S	8	1.80	9/16	1.80	.85	5/8		SIZE 4	CL-400-SH-S	CL-400-RH-S
CL-100-HWSS-S	10	2	5/8	2	.95	3/4	3/8-16			

HAND WHEELS

BODY: BLACK FIBER-REINFORCED NYLON THERMOPLASTIC
 HUB: MILD STEEL, ZINC PLATED CLEAR CHROMATE

3

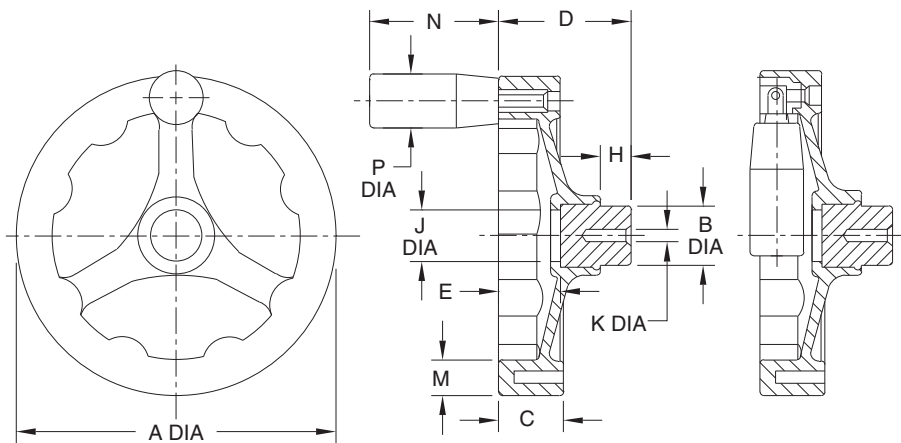


**Angled-Spoke Square Design
 Thermoplastic
 with Revolving Handle**



**Angled-Spoke Square Design
 Thermoplastic
 with Foldable Revolving Handle**

High-quality, thermoplastic Hand Wheel with three spokes, with contemporary design. Molded-in steel hub, blank with a pilot hole. Available with either a Revolving Handle, a Foldable Revolving Handle, or a plain rim without a handle. Matte black fiber-reinforced nylon thermoplastic (textured surface for secure gripping, excellent impact resistance, operating temperatures to 230°F).



PART NO. WITH REVOLVING HANDLE	PART NO. WITH FOLDABLE REVOLVING HANDLE	PART NO. WITHOUT HANDLE (NOT TAPPED)	A DIA	B DIA	C	D	E	H	J DIA	K DIA	M	N	P DIA
CL-41-HWAS-P	CL-42-HWAS-P	CL-4-HWAS-P	3.94	.94	.79	1.69	.75	.47	.71	.157	.59	1.97	.83
CL-51-HWAS-P	CL-52-HWAS-P	CL-5-HWAS-P	4.92		.94	2.01	.91		.79	.236	.67		
CL-61-HWAS-P	CL-62-HWAS-P	CL-6-HWAS-P	6.30	1.26	1.10	2.40	1.18	.59	1.18	.236	.79	2.76	.91
CL-81-HWAS-P	CL-82-HWAS-P	CL-8-HWAS-P	7.87	1.57	1.26	2.87	1.30		1.38		.91		

HAND WHEELS

BODY: MATTE BLACK HIGH-IMPACT THERMOPLASTIC
 HUB: MILD STEEL, BLACK OXIDE FINISH
 CENTER TRIM COVER: ALUMINUM, ANODIZED

3



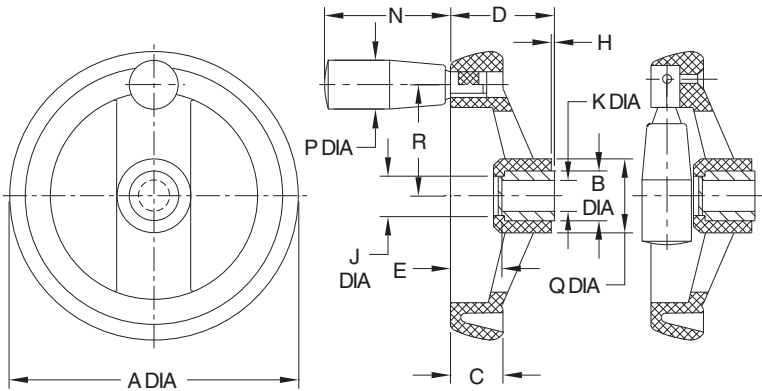
**Two-Spoke Rounded Design
 Thermoplastic
 with Revolving Handle**



**Two-Spoke Rounded Design
 Thermoplastic
 with Foldable Revolving Handle**

**ELESA
 ORIGINAL
 DESIGN**

High-quality, thermoplastic Hand Wheel with two spokes, with contemporary design. Molded-in steel hub. These Hand Wheels are bored to the standard shaft diameter for their size. Available with either a Revolving Handle, a Foldable Revolving Handle, or a plain rim without a handle. Matte black high-impact thermoplastic (textured surface for secure gripping, excellent impact resistance, operating temperatures to 230°F).



PART NO. WITH REVOLVING HANDLE	PART NO. WITH FOLDABLE REVOLVING HANDLE	PART NO. WITHOUT HANDLE (NOT TAPPED)	A DIA	B HUB DIA	C	D	E	H	J DIA	K BORE DIA	N	P DIA	Q DIA	R
CL-41-HWTR-P	CL-42-HWTR-P	CL-4-HWTR-P	3.90	.71	.79	1.46	.79	.01	.67	.375	1.97	.83	.98	1.45
CL-51-HWTR-P	CL-52-HWTR-P	CL-5-HWTR-P	4.88	.87	.87	1.73	.87		.83	.375	2.56	.91	1.22	1.83
CL-61-HWTR-P	CL-62-HWTR-P	CL-6-HWTR-P	6.30	1.02	.98	2.01	.94		.98	.500			1.57	2.56
CL-81-HWTR-P	CL-82-HWTR-P	CL-8-HWTR-P	7.87	1.18	1.10	2.40	1.06		1.22	.625	3.15	1.02	1.97	3.30

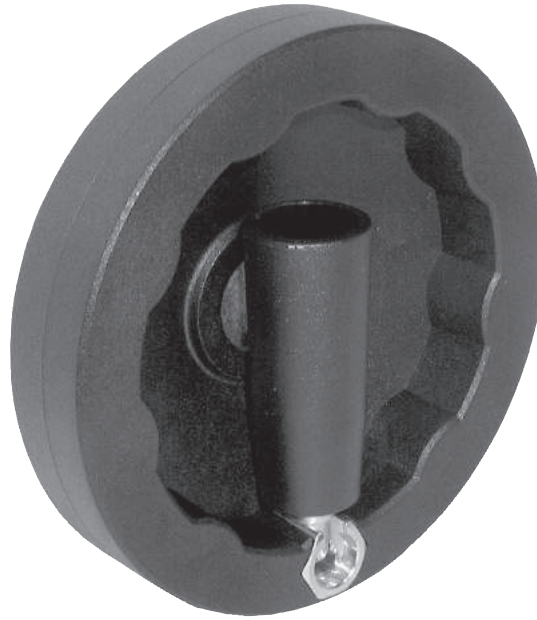
HAND WHEELS

BODY: MATTE BLACK FIBER-REINFORCED NYLON THERMOPLASTIC
 HUB: MILD STEEL, ZINC PLATED CLEAR CHROMATE

3

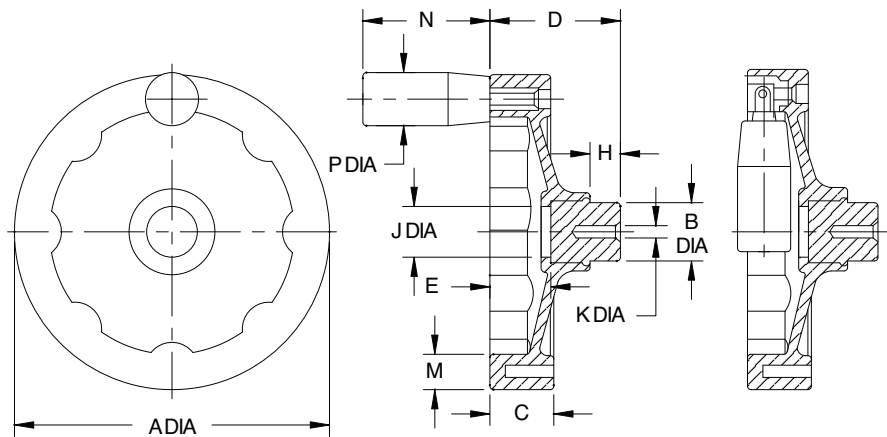


**Solid Square Design
 Thermoplastic
 with Revolving Handle**



**Solid Square Design
 Thermoplastic
 with Foldable Revolving Handle**

High-quality, thermoplastic Hand Wheel with two spokes, with contemporary design. Molded-in steel hub. These Hand Wheels are bored to the standard shaft diameter for their size. Available with either a Revolving Handle, a Foldable Revolving Handle, or a plain rim without a handle. Matte black high-impact thermoplastic (textured surface for secure gripping, excellent impact resistance, operating temperatures to 230°F).



PART NO. WITH REVOLVING HANDLE	PART NO. WITH FOLDABLE REVOLVING HANDLE	PART NO. WITHOUT HANDLE (NOT TAPPED)	A DIA	B DIA	C	D	E	H	J DIA	K DIA	M	N	P DIA
CL-41-HWSS-P	CL-42-HWSS-P	CL-4-HWSS-P	3.94	.94	.79	1.81	.87	.47	.71	.157	.59	1.97	.83
CL-51-HWSS-P	CL-52-HWSS-P	CL-5-HWSS-P	4.92		.94	2.01	.91		.79	.236	.67		
CL-61-HWSS-P	CL-62-HWSS-P	CL-6-HWSS-P	6.30	1.26	1.10	2.40	1.18	.59	1.18	.236	.79	2.76	.91
CL-81-HWSS-P	CL-82-HWSS-P	CL-8-HWSS-P	7.87	1.57	1.26	2.91	1.34		1.38	.94	3.54	1.02	

HAND WHEELS

BODY: MATTE BLACK HIGH-IMPACT THERMOPLASTIC
 HUB: MILD STEEL, BLACK OXIDE FINISH
 CENTER TRIM COVER: GRAY THERMOPLASTIC, PUSH FIT

3



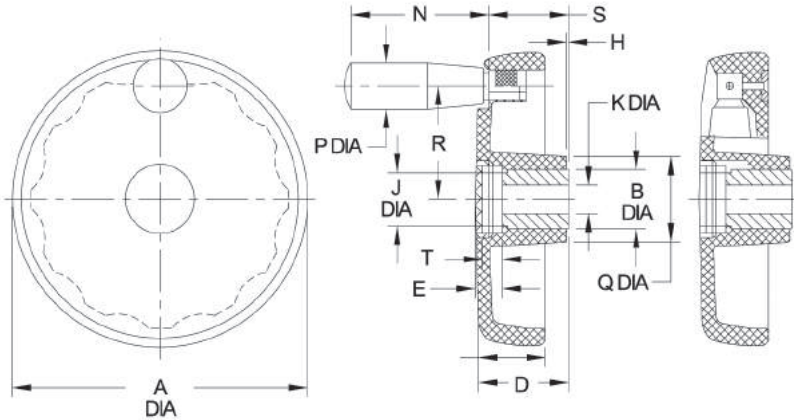
**Solid Disk Design
 Thermoplastic
 with Revolving Handle**



**ELESA
 ORIGINAL
 DESIGN**

**Solid Disk Design
 Thermoplastic
 with Foldable Revolving Handle**

High-quality, solid-disk thermoplastic Hand Wheel, with contemporary design. Molded-in steel hub. These Hand Wheels are bored to the standard shaft diameter for their size. Available with either a Revolving Handle, a Foldable Revolving Handle, or a plain rim without a handle. Matte black high-impact thermoplastic (textured surface for secure gripping, excellent impact resistance, operating temperatures to 230°F).



PART NO. WITH REVOLVING HANDLE	PART NO. WITH FOLDABLE REVOLVING HANDLE	A DIA	B HUB DIA	C	D	E	H	J DIA	K BORE DIA	N	P DIA	Q DIA	R	S	T
CL-41-HWSD-P	CL-42-HWSD-P	4.02	.87	.94	1.34	.47	.01	.79	.375	1.97	.83	1.18	1.53	1.18	.35
CL-51-HWSD-P	CL-52-HWSD-P	4.92	1.02	1.10	1.54	.47		.94	.375	2.20	.87	1.38	1.93	1.38	.31
CL-61-HWSD-P	CL-62-HWSD-P	5.91		1.26	1.73	.55		.500	2.56	.91	1.50	2.28	1.57	.39	
CL-81-HWSD-P	CL-82-HWSD-P	7.87	1.54	2.09	.67	1.50		.625	3.54	1.10	1.97	3.19	1.89	.51	

HAND WHEELS

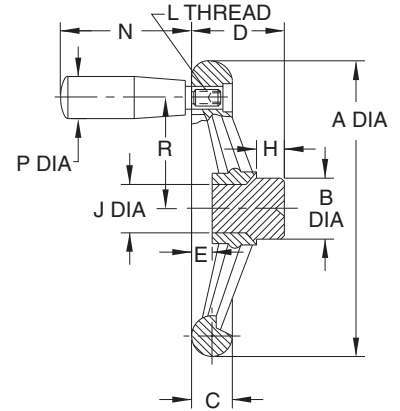
BODY: BLACK PHENOLIC PLASTIC
 HUB (ANGLED SPOKE): MILD STEEL, BLACK OXIDE FINISH
 HUB (SOLID): MILD STEEL, ZINC PLATED CLEAR CHROMATE

3



High-quality, phenolic Hand Wheel with three spokes, with contemporary design. Molded-in steel hub, blank without a pilot hole. Available with either a Revolving Handle or a plain rim without a handle. Black phenolic plastic (glossy smooth finish, extremely hard, electrical insulator, operating temperatures to 300°F, resistant to oils and most common chemicals).

**ELESA
 ORIGINAL
 DESIGN**

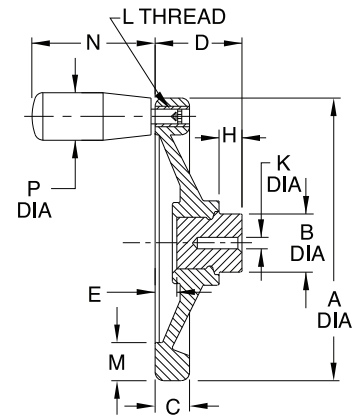


ANGLED-SPOKE ROUNDED DESIGN — PHENOLIC

PART NO. WITH REVOLVING HANDLE	PART NO. WITHOUT HANDLE (NOT TAPPED)	A DIA	B DIA	C	D	E	H	J DIA	L	N	P DIA
CL-41-HWAR-F	CL-4-HWAR-F	3.86	.94	.55	1.57	.16	.47	.79	M6	1.57	.71
CL-51-HWAR-F	CL-5-HWAR-F	4.88		.71	1.38	.35			M8	1.97	.83
CL-61-HWAR-F	CL-6-HWAR-F	6.18	1.26	.87	1.57	.47	.59	.94	M8	2.56	.91
CL-81-HWAR-F	CL-8-HWAR-F	7.80	1.57	.94	2.20	.51		1.22	M10	3.15	1.02



High-quality, phenolic Hand Wheel, with contemporary design. Molded-in steel hub, blank with a pilot hole. Available with either a Revolving Handle or a plain rim without a handle. Black phenolic plastic (glossy smooth finish, extremely hard, electrical insulator, operating temperatures to 300°F, resistant to oils and most common chemicals).



SOLID SQUARE DESIGN — PHENOLIC

PART NO. WITH REVOLVING HANDLE	PART NO. WITHOUT HANDLE (NOT TAPPED)	A DIA	B DIA	C	D	E	H	K DIA	L	M	N	P DIA
CL-31-HWSS-F	CL-3-HWSS-F	3.15	.79	.55	1.22	.16	.39	.157	M6	.59	1.57	.71
CL-41-HWSS-F	CL-4-HWSS-F	3.94	.94		1.38	.24	.43		M8	.63	1.97	.83
CL-51-HWSS-F	CL-5-HWSS-F	4.92	1.26	.63	1.73	.35	.51	.236	M8	.71	2.17	.91
CL-61-HWSS-F	CL-6-HWSS-F	5.91	1.26	.71	1.89	.43	.51		M10	.79	2.56	1.02
CL-81-HWSS-F	CL-8-HWSS-F	7.87	1.57	.83	2.28	.55	.63			.94		

FLUTED HAND WHEELS

BODY: BLACK PHENOLIC PLASTIC
HUB: MILD STEEL, ZINC PLATED CLEAR CHROMATE

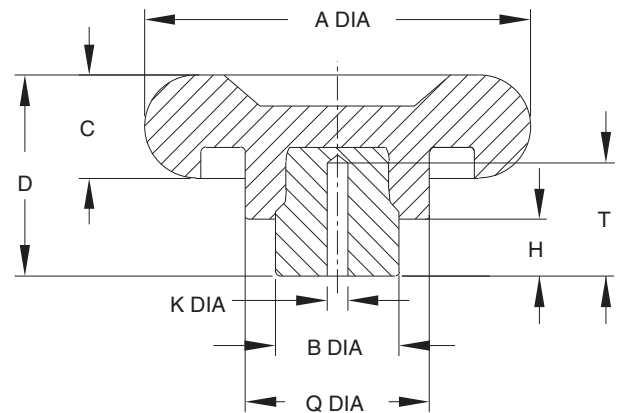
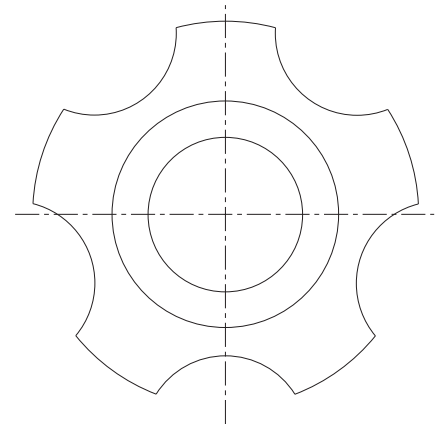
3



CL-4-FHW



CL-3-FHW



Small five-lobed phenolic hand wheels that are useful as control knobs or clamping knobs. Available in two diameters. Molded-in steel hub, blank with a pilot hole. Black phenolic plastic (glossy smooth finish, extremely hard, electrical insulator, operating temperatures to 300°F, resistant to oils and most common chemicals).
Note: Catalog photos are actual size.

PART NO.	A DIA	B DIA	C	D	H	K DIA	Q DIA	T
CL-3-FHW	2.95	.94	.79	1.54	.43	.157	1.34	.87
CL-4-FHW	3.54	1.26		1.65	.47	.236	1.73	.98

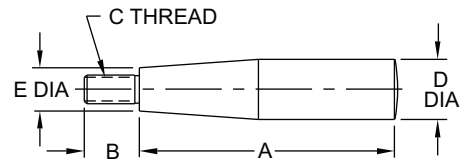
SOLID HANDLES

STEEL: 12L14, BLACK OXIDE FINISH. STAINLESS STEEL: 300 SERIES.

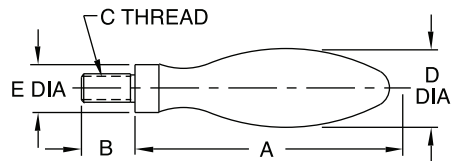
3



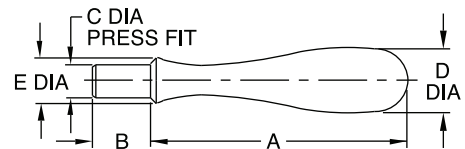
Square Design Threaded Stainless Steel



Rounded Design Threaded Stainless Steel



Rounded Design Press Fit Steel, Black Oxide Finish



SQUARE DESIGN, THREADED — STAINLESS (INCH)

PART NO.	SIZE	A	B	C	D DIA	E DIA
CL-100-SH-S	1	1-1/2	9/32	1/4-20	1/2	13/32
CL-200-SH-S	2	2	7/16			
CL-300-SH-S	3	2-1/2	9/16	5/16-18	5/8	15/32
CL-400-SH-S	4	3-1/4	11/16	3/8-16	3/4	19/32

ROUNDED DESIGN, THREADED — STAINLESS (INCH)

CL-250-SH-S	2	2	1/2	1/4-20	5/8	.44
CL-350-SH-S	3	2-5/8	9/16	5/16-18	13/16	.53
CL-450-SH-S	4	3-3/16	11/16	3/8-16	1	.63
CL-550-SH-S	5	3-3/4	13/16	1/2-13	1-1/4	.75

ROUNDED DESIGN, PRESS FIT — STEEL (INCH)

CL-1-SH	2	2	9/16	3/8	11/16	5/8
CL-2-SH	4	3-1/4	3/4	7/16	1	11/16
CL-3-SH	5	3-7/8	1	1/2	1-3/16	7/8

Attractive fixed handles available in steel with a black oxide finish, or stainless steel with a polished finish. Available in square or rounded designs, each in several sizes. Choice of threaded type or press-fit type (do not use press-fit handles on aluminum hand wheels).

SQUARE DESIGN, THREADED — STAINLESS (METRIC)

PART NO.	SIZE	A	B	C	D DIA	E DIA
CLM-100-SH-S	1	1-1/2	9/32	M6	1/2	13/32
CLM-200-SH-S	2	2	7/16			
CLM-300-SH-S	3	2-1/2	9/16	M8	5/8	15/32
CLM-400-SH-S	4	3-1/4	11/16	M10	3/4	19/32

ROUNDED DESIGN, THREADED — STAINLESS (METRIC)

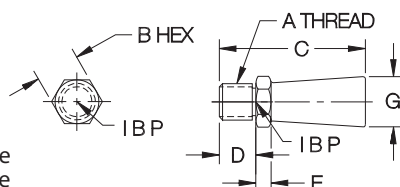
CLM-250-SH-S	2	2	1/2	M6	5/8	.44
CLM-350-SH-S	3	2-5/8	9/16	M8	13/16	.53
CLM-450-SH-S	4	3-3/16	11/16	M10	1	.63
CLM-550-SH-S	5	3-3/4	13/16	M12	1-1/4	.75

FINGER PINS

12L14 STEEL, BLACK OXIDE FINISH



Miniature, fixed finger handle in steel, with a black oxide finish.



INCH

PART NO.	A	B	C	D	E	G DIA
CL-0-FP	#10-32	1/4	3/4	1/4	7/64	1/4
CL-1-FP	#10-24					
CL-2-FP	5/16-18	3/8	1-1/4	5/16	5/32	3/8

METRIC

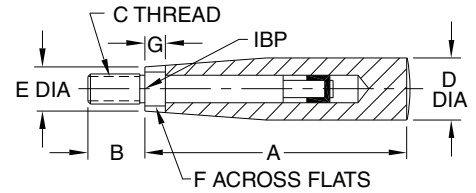
CLM-5-FP	M5	6mm	.75	M6	.12	.24
CLM-8-FP	M8	10mm	1.26	M8	.16	.39

REVOLVING HANDLES

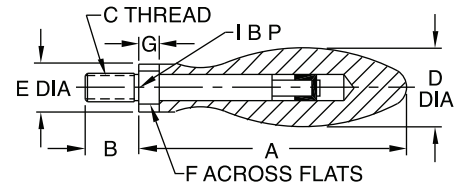
STEEL: 12L14, BLACK OXIDE FINISH. STAINLESS STEEL: 300 SERIES



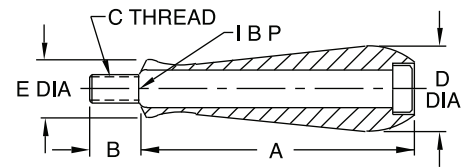
Square Design Threaded Stainless Steel



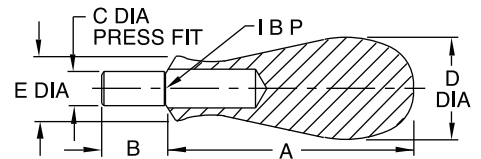
Rounded Design Threaded Stainless Steel



Rounded Design Shoulder Screw Steel, Black Oxide Finish



Rounded Design Press Fit Steel, Black Oxide Finish



Revolving Handles have an internal bearing that allows the handle to remain fixed in your hand, for firm gripping, while turning a hand wheel or crank. These attractive handles are available in steel with a black oxide finish, or stainless steel with a polished finish. Available in square or rounded designs, each in several sizes. Choice of threaded type or press-fit type (do not use press-fit handles on aluminum hand wheels).

SQUARE DESIGN, THREADED — STAINLESS (INCH)

PART NO.	SIZE	A	B	C	D DIA	E DIA	F	G
CL-100-RH-S	1	1-1/2	9/32	1/4-20	1/2	13/32	5/16	.25
CL-200-RH-S	2	2	1/2					.28
CL-300-RH-S	3	2-1/2	9/16	5/16-18	5/8	15/32	3/8	.32
CL-400-RH-S	4	3-1/4	5/8	3/8-16	3/4	19/32	7/16	.39

ROUNDED DESIGN, THREADED — STAINLESS (INCH)

CL-250-RH-S	2	2-1/4	1/2	1/4-20	5/8	.44	5/16	.25
CL-350-RH-S	3	2-13/16	9/16	5/16-18	13/16	.53	3/8	.28
CL-450-RH-S	4	3-3/8	5/8	3/8-16	1	.63	7/16	.32
CL-550-RH-S	5	4	3/4	1/2-13	1-1/4	.75	5/8	.39

ROUNDED DESIGN, SHOULDER SCREW — STEEL (INCH)

CL-1-RH	2	2	7/16	1/4-20	11/16	5/8	—	—
CL-2-RH	4	3-3/8	11/16	3/8-16	1	11/16	—	—
CL-3-RH	5	3-7/8	3/4	1/2-13	1-3/16	7/8	—	—

ROUNDED DESIGN, PRESS FIT — STEEL (INCH)

CL-4-RH	2	2-3/8	19/32	3/8	11/16	5/8	—	—
---------	---	-------	-------	-----	-------	-----	---	---

SQUARE DESIGN, THREADED — STAINLESS (METRIC)

PART NO.	SIZE	A	B	C	D DIA	E DIA	F	G
CLM-100-RH-S	1	1-1/2	9/32	M6	5/8	15/32	5/16	.20
CLM-200-RH-S	2	2	1/2			7/16		.25
CLM-300-RH-S	3	2-1/2	9/16	M8	3/4	15/32	3/8	.28
CLM-400-RH-S	4	3-1/4	5/8	M10	7/8	19/32	7/16	.32

ROUNDED DESIGN, THREADED — STAINLESS (INCH)

CLM-250-RH-S	2	2-1/4	1/2	M6	5/8	.44	5/16	.25
CLM-350-RH-S	3	2-13/16	9/16	M8	13/16	.53	3/8	.28
CLM-450-RH-S	4	3-3/8	5/8	M10	1	.63	7/16	.32
CLM-550-RH-S	5	4	3/4	M12	1-1/4	.75	5/8	.39

ROUNDED DESIGN, SHOULDER SCREW — STEEL (INCH)

CLM-1-RH	2	2	7/16	M6	13/16	3/4	—	—
CLM-2-RH	4	3-1/4	9/16	M10	1-1/4	15/16	—	—
CLM-3-RH	5	3-7/8	3/4	M12	1-1/2	1-1/8	—	—

REVOLVING HANDLES

BODY: BLACK PHENOLIC PLASTIC OR NYLON THERMOPLASTIC
 THREADED SPINDLE: MILD STEEL, ZINC PLATED CLEAR CHROMATE

3

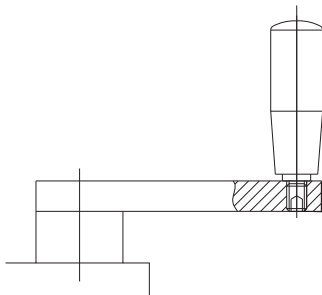


**Phenolic
with Steel Body**

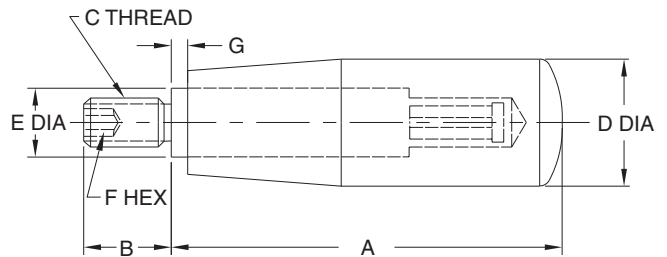


**Thermoplastic
with Steel Body**

Modern square-design handle with a threaded steel spindle. Revolving Handles have an internal bearing that allows the handle to remain fixed in your hand, for firm gripping while turning a Hand Wheel or crank. Threaded spindle has a hex socket for easy installation. Available in two handle materials: Black phenolic plastic (glossy smooth finish, extremely hard, electrical insulator, operating temperatures to 300°F, resistant to oils and most common chemicals) or matte black nylon thermoplastic (textured surface for secure gripping, excellent impact resistance, operating temperatures to 230°F).



Revolving Handles can be used to make custom crank handles.



INCH

PART NO. PHENOLIC	PART NO. THERMOPLASTIC	SIZE	A	B	C	D DIA	E DIA	F	G
CL-100-RH-F	CL-100-RH-P	1	1.67	.47	1/4-20	.71	.39	3mm	.10
CL-200-RH-F	CL-200-RH-P	2	2.07	.51		.83			
CL-300-RH-F	CL-300-RH-P	3	2.66	.55	5/16-18	.91	4mm		
CL-400-RH-F	CL-400-RH-P	4	3.25	.63	3/8-16	1.02	5mm		
CL-500-RH-F	—	5	4.12	.79	1/2-13	1.22	6mm		

METRIC

CLM-100-RH-F	CLM-100-RH-P	1	1.67	.47	M6	.71	.39	3mm	.10
CLM-200-RH-F	CLM-200-RH-P				M6			.83	
CLM-201-RH-F	—	2	2.07	.51		M8	.91		
CLM-300-RH-F	CLM-300-RH-P	3	2.66	.55	M8	1.02	4mm		
CLM-400-RH-F	CLM-400-RH-P	4	3.25	.63	M10	1.22	5mm		
CLM-500-RH-F	—	5	4.12	.79	M12	.55	6mm		

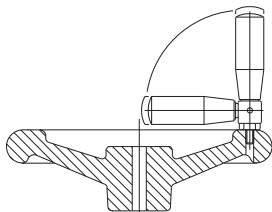
FOLDABLE REVOLVING HANDLES

BODY: 300-SERIES STAINLESS STEEL. HANDLE: BLACK THERMOPLASTIC

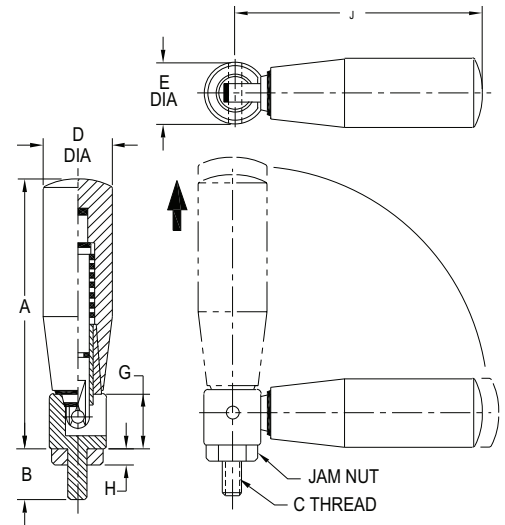


**Thermoplastic with
Stainless Steel Body**

Unique revolving handle that can fold away when not in use. Handle is positively locked in extended position. Like other revolving handles, this foldable handle has an internal bearing that allows it to remain fixed in your hand, for firm gripping, while turning a hand wheel or crank. To allow folding, the handle must first be pulled outward, against a spring force, then moved 90°. Once folded, the handle is held in that position also by spring force.



To install handle in tapped hole, screw in as far as possible, then back off until the handle is at the desired orientation. Tighten Jam Nut to secure at that orientation.

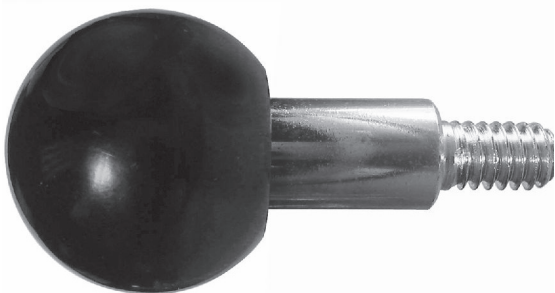


INCH

PART NO.	SIZE	A	B	C	D DIA	E DIA	G	H	J
CL-200-FRH-S	2	2-1/2	5/8	1/4-20	7/8	.63	1/2	11/64	2-3/8
CL-300-FRH-S	3	3-1/4	3/4	5/16-18	15/16	.78	5/8	13/64	3-1/8
CL-400-FRH-S	4	3-3/4	7/8	3/8-16	1	.78	5/8	15/64	3-5/8

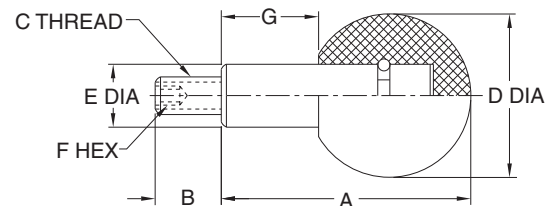
REVOLVING BALL HANDLES

BALL KNOB: BLACK PHENOLIC PLASTIC
THREADED SPINDLE: MILD STEEL, BLACK OXIDE FINISH OR ZINC PLATED CLEAR CHROMATE



**Phenolic
with Steel Body**

Revolving handle with a ball knob made of phenolic plastic and a threaded steel spindle. This version is especially useful for hand wheels or cranks mounted horizontally with the handle used as a hand rest. Revolving Ball Handles have an internal bearing that allows the handle to remain fixed in your hand, for firm gripping. Threaded spindle has a hex socket for easy installation.



INCH

PART NO.	SIZE	A	B	C	D DIA	E DIA	F	G
CL-200-RBH	2	1.48	.43	1/4-20	.98	.39	3mm	.59
CL-300-RBH	3	1.89	.51	5/16-18	1.26	.51	4mm	.75
CL-400-RBH	4	2.40	.55	3/8-16	1.57	.63	5mm	.94
CL-500-RBH	5	3.07	.83	1/2-13	1.97	.79	6mm	1.22

METRIC

CLM-200-RBH	2	1.48	.43	M6	.98	.39	3mm	.59
CLM-300-RBH	3	1.89	.51	M8	1.26	.51	4mm	.75
CLM-400-RBH	4	2.40	.55	M10	1.57	.63	5mm	.94
CLM-500-RBH	5	3.07	.83	M12	1.97	.79	6mm	1.22

LEVER HANDLES

300-SERIES STAINLESS STEEL

3



**Single
Lever Handle**

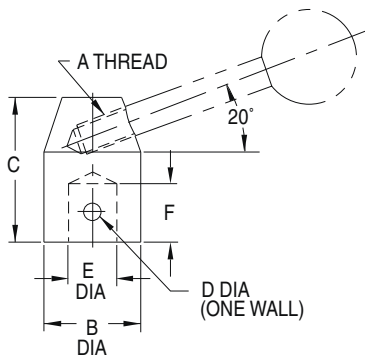


**Triple
Lever Handle**

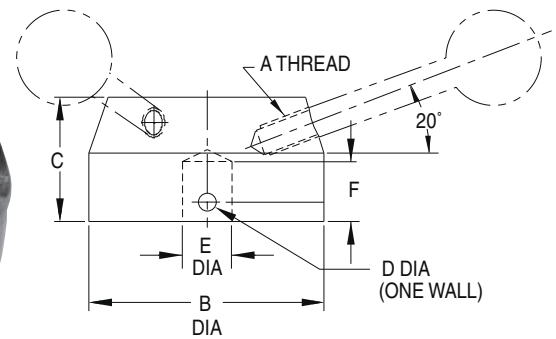
Fast, efficient levers that provide high torque. These attractive Lever Handles are made of 300-series stainless steel, polished to a beautiful finish. Hubs are available in single-handle or triple-handle versions, each in two sizes. Lever Handles can be totally customized by choosing Lever Bar length (**INFO+**: see page 143) and Knob type (**INFO+**: see pages 152-159).



Single Hub



Triple Hub



SINGLE LEVER HANDLE — ORDER HUB, LEVER BAR, AND KNOB SEPARATELY (INCH)

PART NO. HUB ONLY	A	B DIA	C	D DIA	E	F	PART NO. LEVER BAR	PART NO. KNOB
CL-116-LHH-S	5/16-18	1	1-1/2	1/8	3/8 DIA REAMED	5/8	INFO+ : SEE PAGE 143	INFO+ : SEE PAGES 152-159
CL-1160-LHH-S				—	3/8-16 TAPPED	9/16		
CL-128-LHH-S	3/8-16	1-1/4	1-7/8	5/32	1/2 DIA REAMED	3/4		
CL-1280-LHH-S				—	1/2-13 TAPPED	11/16		

TRIPLE LEVER HANDLE — ORDER HUB, LEVER BARS, AND KNOBS SEPARATELY (INCH)

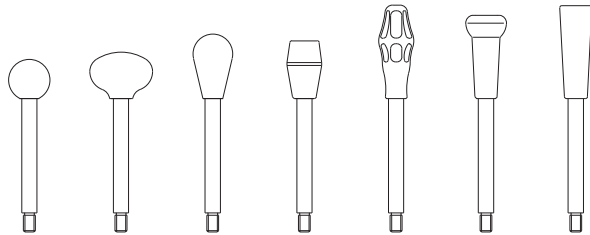
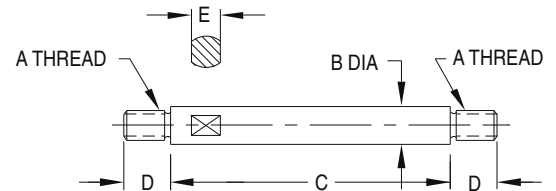
CL-316-LHH-S	5/16-18	2	1	3/16	3/8 DIA REAMED	3/4	INFO+ : SEE PAGE 143	INFO+ : SEE PAGES 152-159
CL-328-LHH-S	3/8-16	2-3/8	1-3/16	3/16	1/2 DIA REAMED	7/8		

LEVER BARS

300-SERIES STAINLESS STEEL



Versatile Lever Bars available in three diameters, each in several lengths. 300-series stainless steel polished to a beautiful finish. **INFO+**: Can be used with the hubs on page 142 to make lever handles. Wrench flat allows firm tightening.



INCH

PART NO.	A	B DIA	C	D	E
CL-515-LVB-S	5/16-18	.39	1.5	7/16	5/16
CL-522-LVB-S			2.2		
CL-530-LVB-S			3.0		
CL-540-LVB-S			4.0		
CL-555-LVB-S			5.5		
CL-620-LVB-S	3/8-16	.47	2.0	1/2	3/8
CL-627-LVB-S			2.7		
CL-637-LVB-S			3.7		
CL-647-LVB-S			4.7		
CL-660-LVB-S			6.0		
CL-837-LVB-S	1/2-13	.55	3.7	5/8	7/16
CL-847-LVB-S			4.7		
CL-857-LVB-S			5.7		
CL-867-LVB-S			6.7		



Hoist Rings



Many Varieties
Of Hoist Rings

**Trusted to Move Your
Most Important Materials.**

- Swivel Hoist Rings
- Pivoting Hoist Rings
- Side-Pull Hoist Rings
- Safety Hoist Rings
- Lifting Eyes

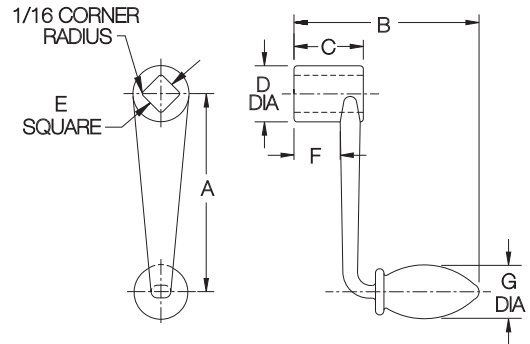
See Pages 73-92

CRANK HANDLES

NODULAR IRON PER ASTM A536 CLASS 65-45-12, ZINC PLATED CLEAR CHROMATE



Rugged crank handle with a comfortable grip. Choice of three sizes that fit all common square drives.



PART NO.	SQUARE DRIVE SIZE	A	B	C	D DIA	E	F	G DIA
CL-0-H	3/8 or 10mm	2-1/4	3	1	7/8	13/32	5/8	5/8
CL-1-H	1/2 or 12mm	3-3/4	4-3/16	1-5/16	1-1/16	17/32	7/8	7/8
CL-2-H	5/8 or 16mm	5-1/4	5-1/2	2-1/2	1-3/8	21/32	1-3/4	1

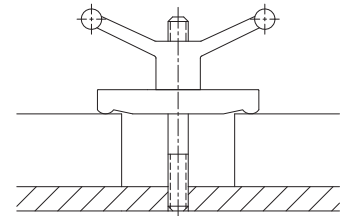
SPEED BALL HANDLES

NODULAR IRON PER ASTM-A536 CLASS 65-45-12, ZINC PLATED CLEAR CHROMATE



Double Arm

Speed handles that are weighted for quick turning. Long arm extensions provide excellent leverage for hand tightening.



DOUBLE ARM (INCH & METRIC)

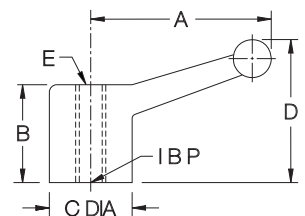
PART NO.	A	B	C DIA	D	E
CL-4-SBH	4-7/8	1-5/8	1-1/8	2-1/4	BLANK
CL-44-SBH					1/2-13
CLM-44-SBH					M12
CL-6-SBH	6	1-5/8	1-3/8	2-3/8	BLANK
CL-64-SBH					5/8-11
CLM-64-SBH					M16
CL-8-SBH	8	1-13/16	1-3/4	2-7/8	BLANK
CL-84-SBH					3/4-10
CLM-84-SBH					M20



Single Arm

SINGLE ARM (INCH & METRIC)

PART NO.	A	B	C DIA	D	E
CL-5-SBH	3	1-5/8	1-3/8	2-3/8	BLANK
CL-55-SBH					1/2-13
CL-59-SBH					5/8-11
CLM-55-SBH	4-3/8	2	1-5/8	3-1/2	M12
CLM-59-SBH					M16
CL-7-SBH					BLANK
CL-75-SBH	4-3/8	2	1-5/8	3-1/2	3/4-10
CLM-75-SBH					M20



BALANCED CRANK HANDLES

300-SERIES STAINLESS STEEL

3



**Rounded Handle
(Solid or Revolving)
Stainless Steel**

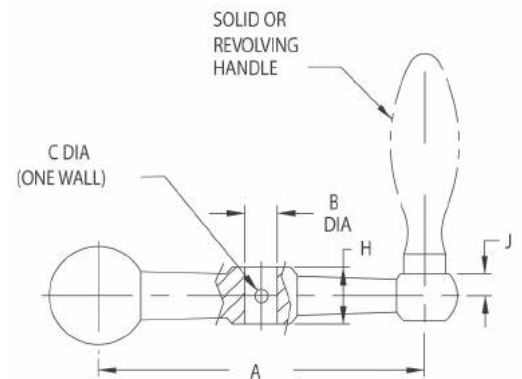
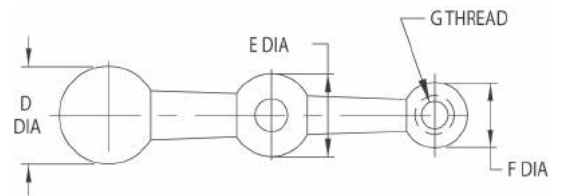


**Square Handle
(Solid or Revolving)
Stainless Steel**

High-quality, stainless steel crank handle with a beautiful polished finish. Handle is balanced for smooth operation, and so that no rotation occurs due to handle weight. The reamed center hole is cross-drilled in one wall for easy installation by pinning. Order body and handle separately, with a choice of four handle types:

INFO+:

- Rounded-design Solid Handle (page 138)
- Rounded-design Revolving Handle (page 139)
- Square-design Solid Handle (page 138)
- Square-design Revolving Handle (page 139)



ORDER BODY AND SOLID/REVOLVING HANDLE SEPARATELY

PART NO. BODY ONLY	A	B DIA	C DIA	D DIA	E DIA	F DIA	G	H	J	PART NO. — SOLID OR REVOLVING HANDLE			
										ROUNDED SOLID	ROUNDED REVOLVING	SQUARE SOLID	SQUARE REVOLVING
CL-20-CHB-S	2-1/2	5/16	1/8	1	3/4	5/8	1/4-20	9/16	1/4	CL-250-SH-S	CL-250-RH-S	CL-200-SH-S	CL-200-RH-S
CL-30-CHB-S	3-1/8	3/8	5/32	1-1/4	1	3/4	5/16-18	11/16	5/16	CL-350-SH-S	CL-350-RH-S	CL-300-SH-S	CL-300-RH-S
CL-40-CHB-S	4												
CL-50-CHB-S	5	1/2	3/16	1-1/2	1-1/4	1	3/8-16	7/8	3/8	CL-450-SH-S	CL-450-RH-S	CL-400-SH-S	CL-400-RH-S
CL-51-CHB-S		5/8*											

*1/8" Square keyway on this size only.

CRANK HANDLES

CRANK BODY & REVOLVING HANDLE: MATTE BLACK THERMOPLASTIC
 HUB: MILD STEEL, BLACK OXIDE FINISH
 CENTER TRIM COVER: ALUMINUM, MATTE ANODIZED
 REVOLVING HANDLE SPINDLE: MILD STEEL, ZINC PLATED CLEAR CHROMATE

3



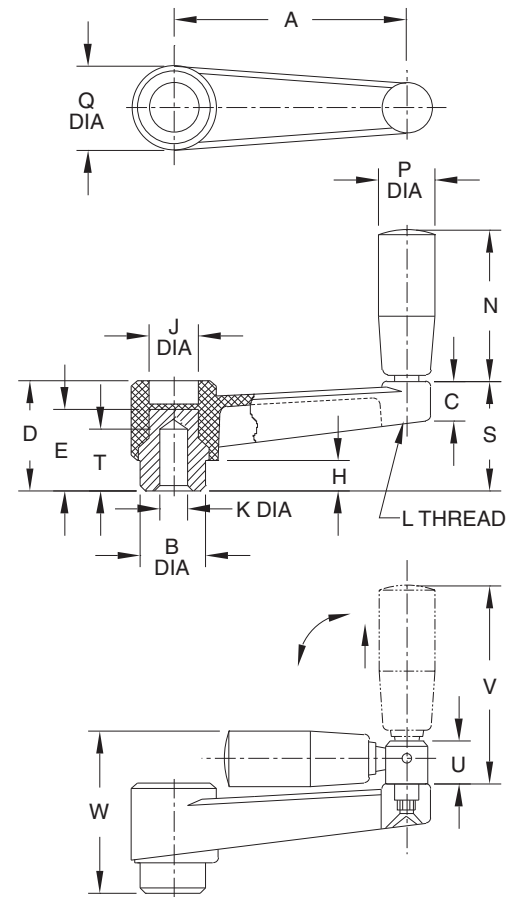
Thermoplastic with Revolving Handle



Thermoplastic with Foldable Revolving Handle

ELESA ORIGINAL DESIGN

High-quality, fiber-reinforced technopolymer Crank Handle, available in five sizes. High-strength design suitable for heavy-duty applications. Matte black high-strength thermoplastic (resistant to oils, solvents, and grease; excellent impact resistance, operating temperatures to 230°F). Molded-in steel hub, blank with a pilot hole. Center trim cover is self-adhesive (apply after modifying hub). Furnished with a Revolving Handle or a Foldable Revolving Handle. Foldable handle is positively locked in extended position. To allow folding, the handle must first be pulled outward, against a spring force, then folded 90°. Once folded, the handle is held in that position also by spring force.

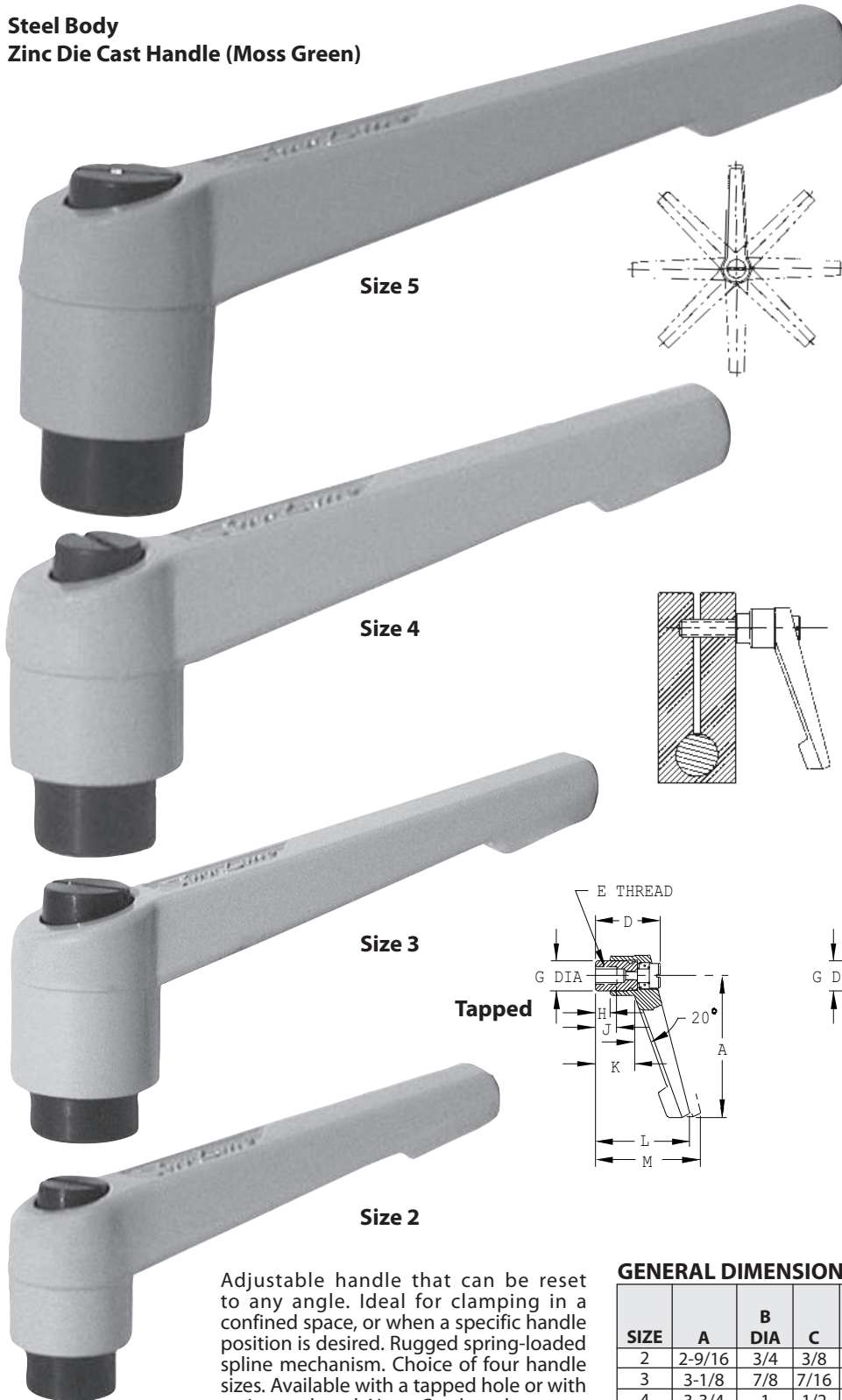


PART NO. WITH REVOLVING HANDLE	PART NO. WITH FOLDABLE REVOLVING HANDLE	A	B DIA	C	D	E	H	J DIA	K DIA	L	N	P DIA	Q DIA	S	T	U	V	W
CL-21-CHP	—	2.52	.71	.51	1.30	1.14	.39	.63	.236	M6	1.57	.71	1.06	1.30	.71	—	—	—
CL-31-CHP	CL-32-CHP	3.15	.87	.63	1.42	1.26	.39	.67	.236	M6	1.97	.83	1.18	1.42	1.02	.59	2.95	2.20
CL-41-CHP	CL-42-CHP	3.94	.94	.63	1.57	1.46	.39	.83	.315	M8	2.56	.91	1.34	1.61	1.10	.79	3.43	2.48
CL-51-CHP	CL-52-CHP	5.12	1.10	.63	1.93	1.73	.55	.98	.394	M10	3.15	1.02	1.57	1.97	1.18	.79	3.43	2.80
CL-61-CHP	CL-62-CHP	6.30	1.34	.71	2.17	1.93	.59	1.06	.394	M10	3.54	1.10	1.77	2.20	1.18	.79	4.09	3.11

ADJUSTABLE HANDLES

HANDLE: ZINC DIE CASTING; ENAMEL PAINT
 BODY: 12L14 STEEL, BLACK OXIDE FINISH. SPRING: MUSIC WIRE

Steel Body
Zinc Die Cast Handle (Moss Green)



Size 5

Size 4

Size 3

Size 2

TAPPED (INCH)

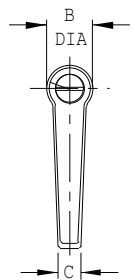
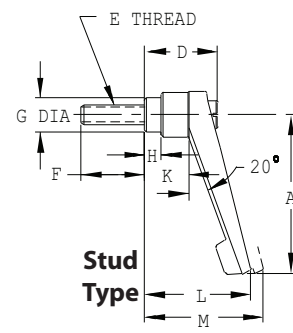
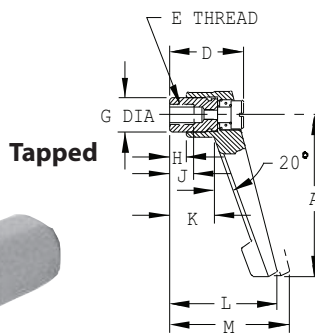
PART NO.	SIZE	E	J
CL-4-AH-2	2	1/4-20	1/2
CL-5-AH-2		5/16-18	
CL-5-AH-3	3	5/16-18	9/16
CL-6-AH-3		3/8-16	
CL-6-AH-4	4	3/8-16	5/8
CL-8-AH-4		1/2-13	
CL-8-AH-5	5	1/2-13	7/8
CL-10-AH-5		5/8-11	

TAPPED (METRIC)

CLM-8-AH-2	2	M8	1/2
CLM-10-AH-3	3	M10	9/16
CLM-12-AH-4	4	M12	5/8
CLM-16-AH-5	5	M16	7/8

STUD TYPE (INCH)

PART NO.	SIZE	E	F
CL-510-AH-2	2	5/16-18	1
CL-515-AH-2			1-1/2
CL-520-AH-2	3	3/8-16	2
CL-610-AH-3			1
CL-615-AH-3	4	1/2-13	1-1/2
CL-620-AH-3			2
CL-810-AH-4	5	5/8-11	1
CL-815-AH-4			1-1/2
CL-820-AH-4	3	1-1/2	2
CL-830-AH-4			3
CL-1015-AH-5	2	2-1/2	1-1/2
CL-1020-AH-5			2
CL-1030-AH-5	3		



Adjustable handle that can be reset to any angle. Ideal for clamping in a confined space, or when a specific handle position is desired. Rugged spring-loaded spline mechanism. Choice of four handle sizes. Available with a tapped hole or with an integral stud. Note: Catalog photos are actual size.

GENERAL DIMENSIONS

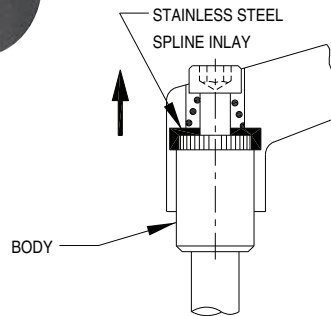
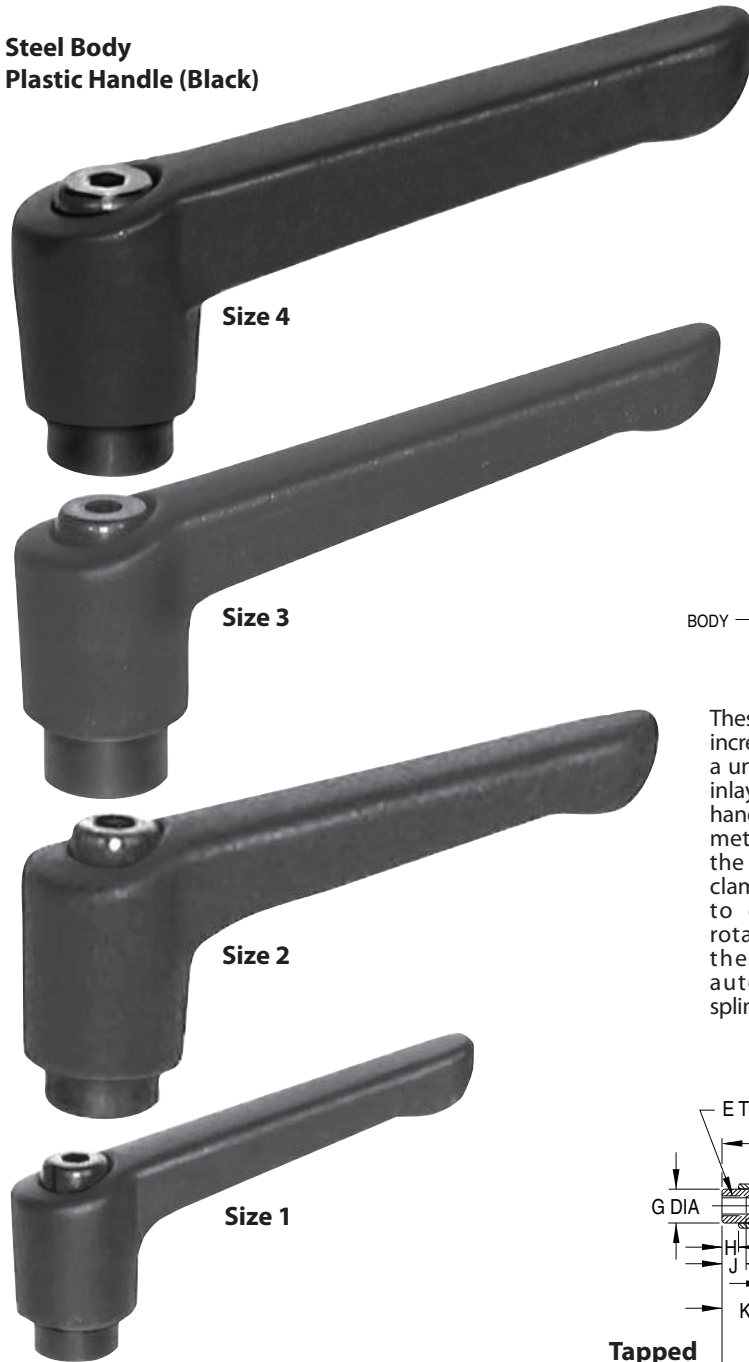
SIZE	A	B DIA	C	D	G DIA	H	K	L	M
2	2-9/16	3/4	3/8	1-1/8	17/32	1/4	11/16	1-11/16	1-7/8
3	3-1/8	7/8	7/16	1-1/2	5/8	13/32	15/16	2-3/16	2-5/16
4	3-3/4	1	1/2	1-11/16	3/4	13/32	1-1/16	2-1/2	2-11/16
5	4-5/16	1-1/4	5/8	2	15/16	15/32	1-5/16	2-15/16	3-1/8

ADJUSTABLE HANDLES

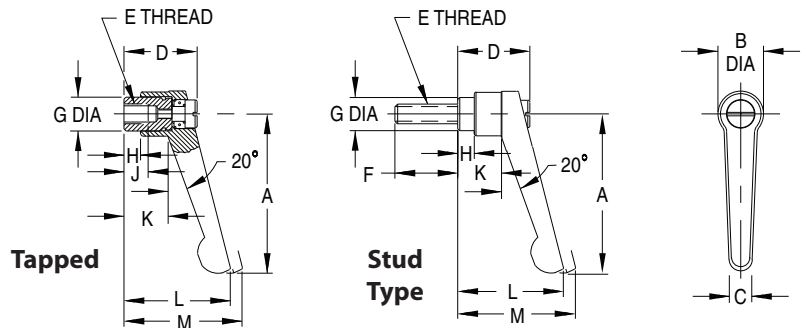
HANDLE: FIBER-REINFORCED THERMOPLASTIC WITH STAINLESS STEEL INSERT
 BODY, SCREW, AND SPRING: STEEL, BLACK OXIDE FINISH

Steel Body
 Plastic Handle (Black)

3



These Adjustable Handles are incredibly strong! They feature a unique stainless steel spline inlay, molded into the plastic handle. This provides positive metal-to-metal mating with the serrated body, for high clamping torque. Lift handle to disengage serrations, rotate to desired position, then release handle to automatically re-engage spline.



Adjustable handle that can be reset to any angle. Ideal for clamping in a confined space, or when a specific handle position is desired. Available in steel (with a black plastic handle) or stainless steel (with a metallic-gray plastic handle, **INFO+** see page 149). Rugged spring-loaded spline mechanism. Choice of four handle sizes. Available with a tapped hole or with an integral stud. Note: Catalog photos above are actual size.



Stud Type

TAPPED (INCH)

PART NO. STEEL BLACK	SIZE	E	J
CL-3-AHP-1	1	#10-32	.31
CL-4-AHP-1		1/4-20	
CL-4-AHP-2	2	1/4-20	.39
CL-5-AHP-2		5/16-18	
CL-5-AHP-3	3	5/16-18	.55
CL-6-AHP-3		3/8-16	
CL-6-AHP-4	4	3/8-16	.67
CL-8-AHP-4		1/2-13	

TAPPED (METRIC)

CLM-6-AHP-1	1	M6	.31
CLM-8-AHP-2	2	M8	.39
CLM-10-AHP-3	3	M10	.55
CLM-12-AHP-4	4	M12	.67

STUD TYPE (INCH)

PART NO. STEEL BLACK	SIZE	E	F
CL-408-AHP-1	1	1/4-20	.78
CL-416-AHP-1			1.57
CL-508-AHP-2	2	5/16-18	.78
CL-516-AHP-2			1.57
CL-525-AHP-2			2.48
CL-610-AHP-3	3	3/8-16	.98
CL-616-AHP-3			1.57
CL-625-AHP-3			2.48
CL-813-AHP-4	4	1/2-13	1.26
CL-816-AHP-4			1.57
CL-825-AHP-4			2.48

STUD TYPE (METRIC)

CLM-620-AHP-1	1	M6	.78
CLM-640-AHP-1			1.57
CLM-820-AHP-2	2	M8	.78
CLM-840-AHP-2			1.57
CLM-1030-AHP-3	3	M10	1.26
CLM-1050-AHP-3			1.97
CLM-1230-AHP-4	4	M12	1.26
CLM-1250-AHP-4			1.97

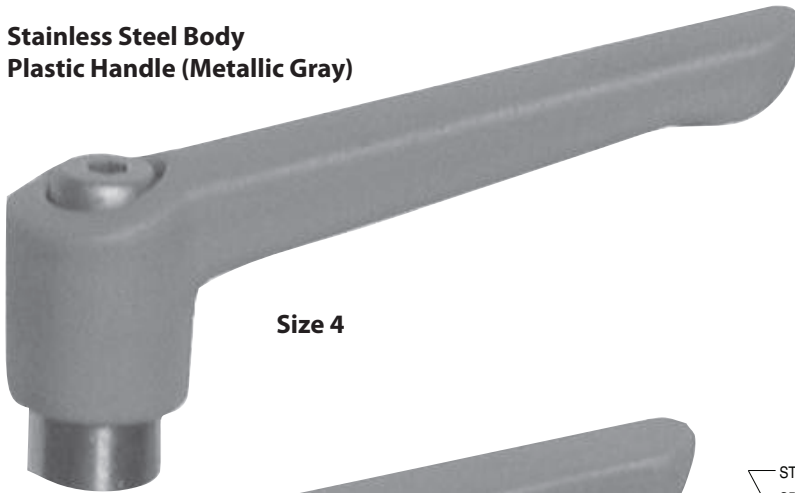
GENERAL DIMENSIONS

SIZE	A	B DIA	C	D	G DIA	H	K	L	M
1	1-3/4	19/32	5/16	31/32	3/8	5/32	7/16	1-3/8	1-1/2
2	2-1/2	3/4	13/32	1-7/32	17/32	1/4	13/16	1-25/32	1-15/16
3	3-1/16	7/8	17/32	1-7/16	5/8	5/16	7/8	2-5/32	2-5/16
4	3-5/8	1	9/16	1-11/16	3/4	7/16	1-3/16	2-9/16	2-23/32

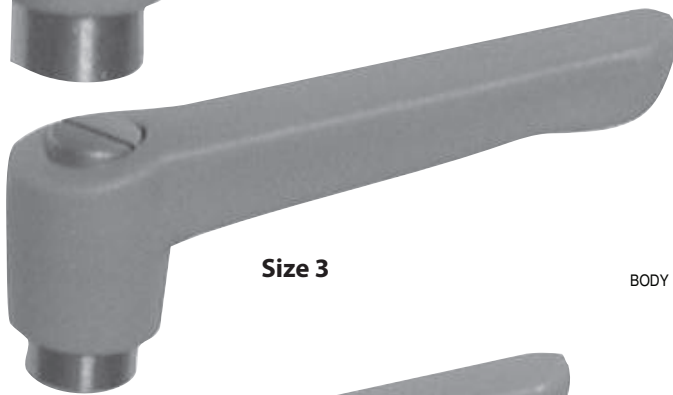
ADJUSTABLE HANDLES

HANDLE: FIBER-REINFORCED THERMOPLASTIC WITH STAINLESS STEEL INSERT
BODY, SCREW, AND SPRING: 300-SERIES STAINLESS STEEL

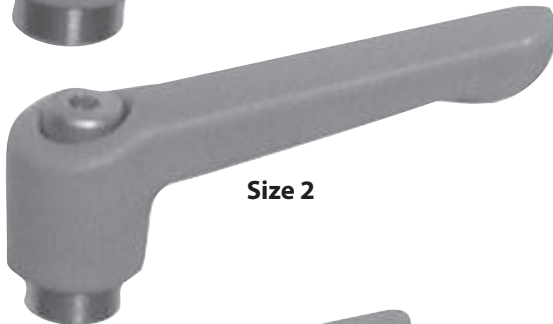
Stainless Steel Body
Plastic Handle (Metallic Gray)



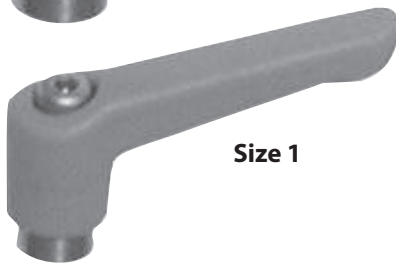
Size 4



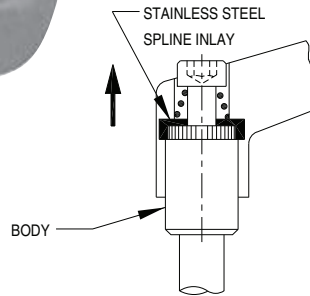
Size 3



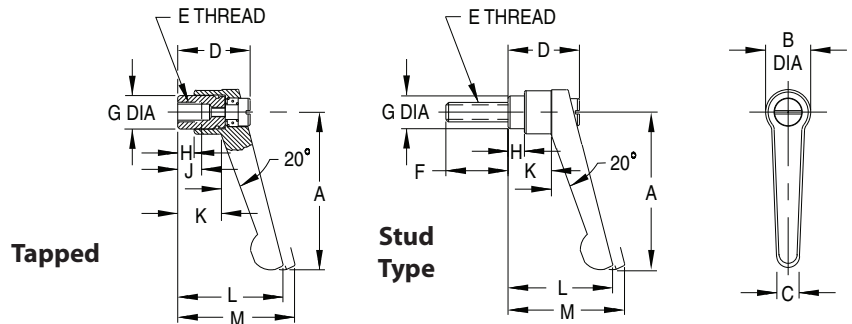
Size 2



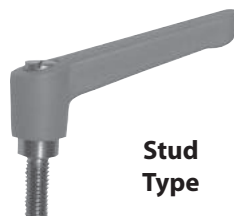
Size 1



These Adjustable Handles are incredibly strong! They feature a unique stainless steel spline inlay, molded into the plastic handle. This provides positive metal-to-metal mating with the serrated body, for high clamping torque. Lift handle to disengage serrations, rotate to desired position, then release handle to automatically re-engage spline.



Adjustable handle that can be reset to any angle. Ideal for clamping in a confined space, or when a specific handle position is desired. Available in stainless steel (with a metallic-gray plastic handle), or steel (with a black plastic handle, **INFO+**: see page 148). Rugged spring-loaded spline mechanism. Choice of four handle sizes. Available with a tapped hole or with an integral stud. Note: Catalog photos above are actual size.



Stud Type

TAPPED (INCH)

PART NO. STAINLESS METALLIC GRAY	SIZE	E	J
CL-3-AHP-1-S	1	#10-32	.31
CL-4-AHP-1-S		1/4-20	
CL-4-AHP-2-S	2	1/4-20	.39
CL-5-AHP-2-S		5/16-18	
CL-5-AHP-3-S	3	5/16-18	.55
CL-6-AHP-3-S		3/8-16	
CL-6-AHP-4-S	4	3/8-16	.67
CL-8-AHP-4-S		1/2-13	

TAPPED (METRIC)

CLM-6-AHP-1-S	1	M6	.31
CLM-8-AHP-2-S	2	M8	.39
CLM-10-AHP-3-S	3	M10	.55
CLM-12-AHP-4-S	4	M12	.67

STUD TYPE (INCH)

PART NO. STAINLESS METALLIC GRAY	SIZE	E	F
CL-408-AHP-1-S	1	1/4-20	.78
CL-416-AHP-1-S			1.57
CL-508-AHP-2-S	2	5/16-18	.78
CL-516-AHP-2-S			1.57
CL-525-AHP-2-S			2.48
CL-610-AHP-3-S	3	3/8-16	.98
CL-616-AHP-3-S			1.57
CL-625-AHP-3-S			2.48
CL-813-AHP-4-S	4	1/2-13	1.26
CL-816-AHP-4-S			1.57
CL-825-AHP-4-S			2.48

STUD TYPE (METRIC)

CLM-620-AHP-1-S	1	M6	.78
CLM-640-AHP-1-S			1.57
CLM-820-AHP-2-S	2	M8	.78
CLM-840-AHP-2-S			1.57
CLM-1030-AHP-3-S	3	M10	1.26
CLM-1050-AHP-3-S			1.97
CLM-1230-AHP-4-S	4	M12	1.26
CLM-1250-AHP-4-S			1.97

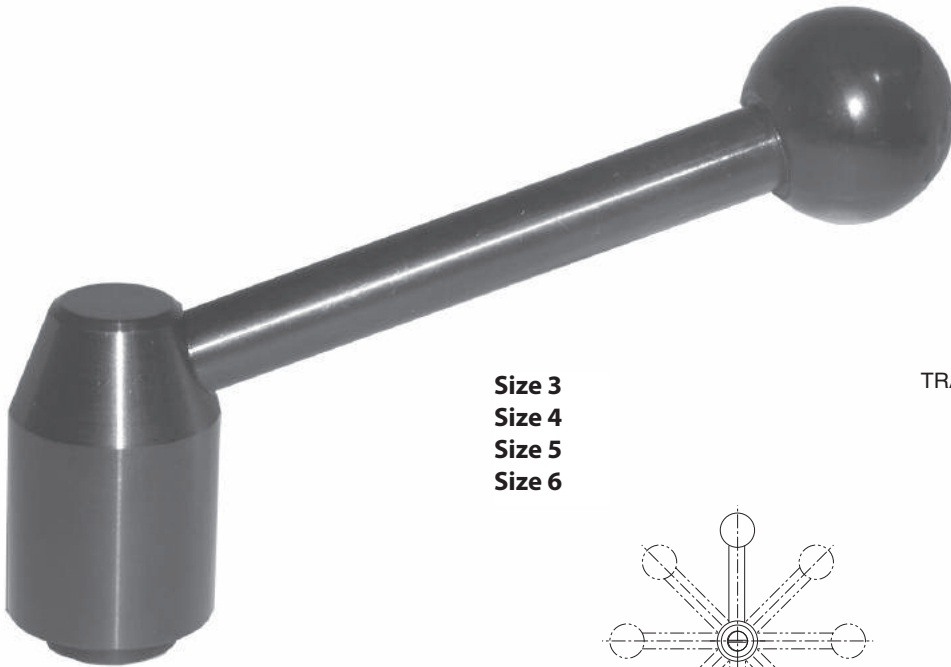
GENERAL DIMENSIONS

SIZE	A	B DIA	C	D	G DIA	H	K	L	M
1	1-3/4	19/32	5/16	31/32	3/8	5/32	7/16	1-3/8	1-1/2
2	2-1/2	3/4	13/32	1-7/32	17/32	1/4	13/16	1-25/32	1-15/16
3	3-1/16	7/8	17/32	1-7/16	5/8	5/16	7/8	2-5/32	2-5/16
4	3-5/8	1	9/16	1-11/16	3/4	7/16	1-3/16	2-9/16	2-23/32

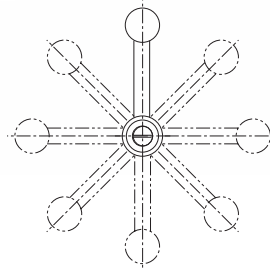
ADJUSTABLE LEVER HANDLES

LEVER ARM, HUB, INSERT, AND SPRING: MILD STEEL, BLACK OXIDE FINISH
BALL KNOB: BLACK PHENOLIC PLASTIC

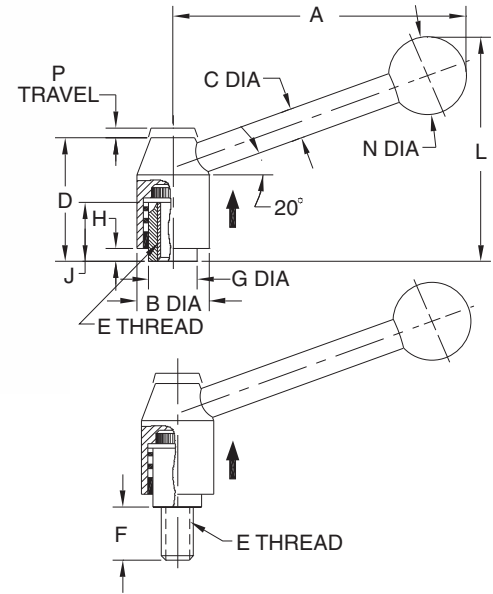
3



Size 3
Size 4
Size 5
Size 6



Steel



Heavy-duty adjustable handle that can be reset to any angle. Ideal for clamping in a confined space, or when a specific handle position is desired. Rugged spring-loaded spline mechanism. Lift handle to disengage serrations, rotate to desired position, then release handle to automatically re-engage spline. Available with a tapped hole or an integral stud.

STEEL — TAPPED (INCH)

PART NO.	SIZE	A	B DIA	C DIA	D	E	F	G	H	J	L	N DIA	P
CL-6-AHL-3	3	3.94	.94	.39	1.57	3/8-16	—	.63	.10	.55	2.95	.98	.18
CL-8-AHL-4	4	4.53	1.10	.47	1.91	1/2-13	—	.75	.18	.67	3.54	1.18	
CL-10-AHL-5	5	5.12	1.30	.47	2.17	5/8-11	—	.91	.24	.91	3.94	1.26	
CL-12-AHL-6	6	5.71	1.57	.55	2.68	3/4-10	—	1.10		1.42	4.33	1.38	.22

STEEL — TAPPED (METRIC)

CLM-10-AHL-3	3	3.94	.94	.39	1.57	M10	—	.63	.10	.55	2.95	.98	.18
CLM-12-AHL-4	4	4.53	1.10	.47	1.91	M12	—	.75	.18	.67	3.54	1.18	
CLM-16-AHL-5	5	5.12	1.30	.47	2.17	M16	—	.91	.24	.91	3.94	1.26	
CLM-20-AHL-6	6	5.71	1.57	.55	2.68	M20	—	1.10		1.42	4.33	1.38	.22

STEEL — STUD TYPE (INCH)

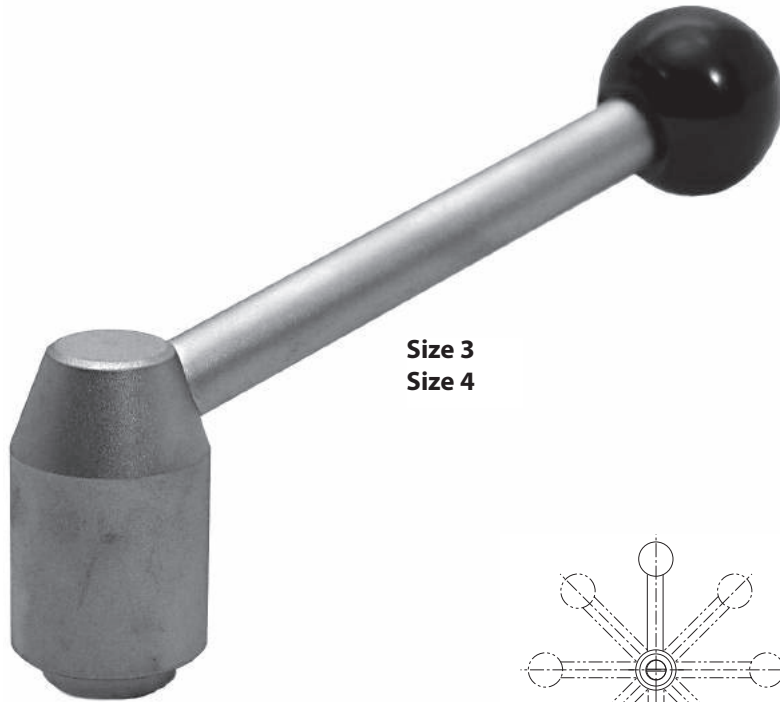
CL-613-AHL-3	3	3.94	.94	.39	1.57	3/8-16	1.26	.63	.10	—	2.95	.98	.18
CL-625-AHL-3							2.48						
CL-813-AHL-4	4	4.53	1.10	.47	1.91	1/2-13	1.26	.75	.18	—	3.54	1.18	
CL-825-AHL-4							2.48						
CL-1016-AHL-5	5	5.12	1.30	.47	2.17	5/8-11	1.57	.91	.24	—	3.94	1.26	.22
CL-1025-AHL-5							2.48						

STEEL — STUD TYPE (METRIC)

CLM-1050-AHL-3	3	3.94	.94	.39	1.57	M10	1.97	.63	.10	—	2.95	.98	.18
CLM-1250-AHL-4	4	4.53	1.10	.47	1.91	M12	1.97	.75	.18	—	3.54	1.18	
CLM-1650-AHL-5	5	5.12	1.30	.47	2.17	M16	1.97	.91	.24	—	3.94	1.26	.22

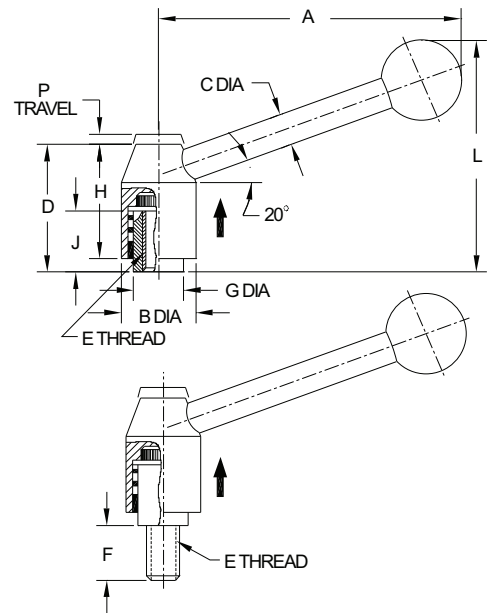
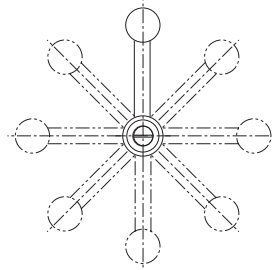
ADJUSTABLE LEVER HANDLES

LEVER ARM, HUB, INSERT, AND SPRING: STAINLESS STEEL
BALL KNOB: PHENOLIC PLASTIC



Size 3
Size 4

Stainless
Steel



Heavy-duty stainless steel adjustable handle that can be reset to any angle. Ideal for clamping in a confined space, or when a specific handle position is desired. Rugged spring-loaded spline mechanism. Lift handle to disengage serrations, rotate to desired position, then release handle to automatically re-engage spline. Available with a tapped hole or an integral stud.

STAINLESS STEEL — TAPPED (INCH)

PART NO.	SIZE	A	B DIA	C DIA	D	E	F	G	H	J	L	N DIA	P
CL-6-AHL-3-S	3	3.94	.94	.39	1.57	3/8-16	—	.63	.10	.55	2.95	.98	.18
CL-8-AHL-4-S	4	4.53	1.10	.47	1.91	1/2-13	—	.75	.18	.67	3.54	1.18	.18

STAINLESS STEEL — TAPPED (METRIC)

CLM-10-AHL-3-S	3	3.94	.94	.39	1.57	M10	—	.63	.10	.55	2.95	.98	.18
CLM-12-AHL-4-S	4	4.53	1.10	.47	1.91	M12	—	.75	.18	.67	3.54	1.18	.18

STAINLESS STEEL — STUD TYPE (INCH)

CL-613-AHL-3-S	3	3.94	.94	.39	1.57	3/8-16	1.26	.63	.10	—	2.95	.98	.18
CL-625-AHL-3-S							2.48						
CL-813-AHL-4-S	4	4.53	1.10	.47	1.91	1/2-13	1.26	.75	.18	—	3.54	1.18	
CL-825-AHL-4-S							2.48						

STAINLESS STEEL — STUD TYPE (METRIC)

CLM-1050-AHL-3-S	3	3.94	.94	.39	1.57	M10	1.97	.63	.10	—	2.95	.98	.18
CLM-1250-AHL-4-S	4	4.53	1.10	.47	1.91	M12	1.97	.75	.18	—	3.54	1.18	.18

BALL KNOBS

BLACK PHENOLIC, THERMOPLASTIC, OR CUSHION GRIP PLASTIC WITH BRASS INSERT

3

Phenolic — Tapped



3/8-16 CL-852-PB
3/8-24 CL-854-PB
1/2-13 CL-872-PB
5/8-18 CL-882-PB
M10 CLM-852-PB
M12 CLM-872-PB
M16 CLM-882-PB



3/8-16 CL-752-PB
1/2-13 CL-772-PB
M10 CLM-752-PB
M12 CLM-772-PB



1/4-20 CL-632-PB
5/16-18 CL-642-PB
3/8-16 CL-652-PB
3/8-24 CL-654-PB
1/2-13 CL-672-PB
1/2-20 CL-674-PB
M10 CLM-652-PB
M12 CLM-672-PB



1/4-20 CL-532-PB
5/16-18 CL-542-PB
3/8-16 CL-552-PB
3/8-24 CL-554-PB
M8 CLM-542-PB
M10 CLM-552-PB



#10-32 CL-424-PB
1/4-20 CL-432-PB
1/4-28 CL-234-PB
5/16-18 CL-442-PB
5/16-24 CL-444-PB
3/8-16 CL-452-PB
M6 CLM-432-PB
M8 CLM-442-PB



#8-32 CL-212-PB
#10-32 CL-224-PB
1/4-20 CL-232-PB
M5 CLM-222-PB
M6 CLM-232-PB

Phenolic — Tapped Recessed Top



3/8-16 CL-856-PB
3/8-24 CL-858-PB
1/2-13 CL-876-PB

Durable multi-purpose knob, suitable for many applications. Molded-in brass insert provides superior thread strength. Choice of seven ball sizes. The largest size is available with a recessed top (1-1/4" dia) for adding custom decals or inlays. Non-standard thread sizes, molded-in studs, or special colors (thermoplastic and cushion grip only) are available in quantities of 500 and above. Note: Catalog photos are actual size.

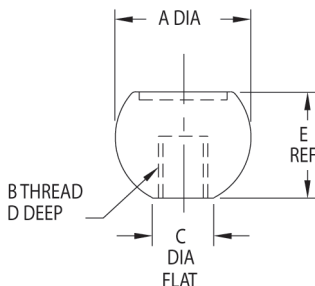
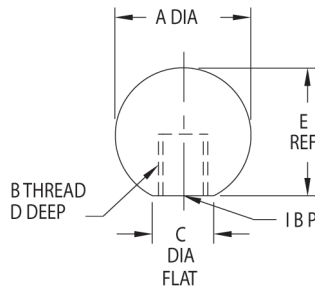
Choose From Three Materials

1. Phenolic plastic — glossy smooth finish, extremely hard, electrical insulator, operating temperatures to 300°F, resistant to oils and most common chemicals.
2. Thermoplastic — textured surface for improved gripping, excellent impact resistance, operating temperatures to 150°F.
3. Cushion Grip — unique plastic that feels soft to the touch, matte finish, comfortable yet rugged, excellent impact resistance, operating temperatures to 150°F, excellent gripability even when wet or oily, absorbs vibration.

PHENOLIC — TAPPED (INCH & METRIC)

PART NO.	A DIA	B	C DIA	D	E
CL-212-PB	3/4	#8-32	3/8	5/16	45/64
CL-224-PB		#10-32			
CL-232-PB		1/4-20			
CLM-222-PB		M5			
CLM-232-PB		M6			
CL-424-PB	1	#10-32	1/2	7/16	31/32
CL-432-PB		1/4-20			
CL-234-PB		1/4-28			
CL-442-PB		5/16-18			
CL-444-PB		5/16-24			
CL-452-PB		3/8-16			
CLM-432-PB		M6			
CLM-442-PB		M8			
CL-532-PB	1-3/16	1/4-20	9/16	1/2	1-1/8
CL-542-PB		5/16-18			
CL-552-PB		3/8-16			
CL-554-PB		3/8-24			
CLM-542-PB		M8			
CLM-552-PB	M10				
CL-632-PB	1-3/8	1/4-20	5/8	7/16	1-19/64
CL-642-PB		5/16-18			
CL-652-PB		3/8-16			
CL-654-PB		3/8-24			
CL-672-PB		1/2-13			
CL-674-PB		1/2-20			
CLM-652-PB		M10			
CLM-672-PB	M12				
CL-752-PB	1-5/8	3/8-16	11/16	1/2	1-37/64
CL-772-PB		1/2-13			
CLM-752-PB		M10			
CLM-772-PB		M12			
CL-852-PB	1-7/8	3/8-16	3/4	1/2	1-51/64
CL-854-PB		3/8-24			
CL-872-PB		1/2-13			
CL-882-PB*		5/8-18			
CLM-852-PB		M10			
CLM-872-PB		M12			
CLM-882-PB		M16			
CL-856-PB	1-7/8	3/8-16	3/4	1/2	1-15/32
CL-858-PB		3/8-24			
CL-876-PB		1/2-13			

* This size is solid plastic, without a brass insert.



PHENOLIC — TAPPED RECESSED TOP (INCH)

CL-856-PB	1-7/8	3/8-16	3/4	1/2	1-15/32
CL-858-PB		3/8-24		1/2	
CL-876-PB		1/2-13		5/8	

BALL KNOBS

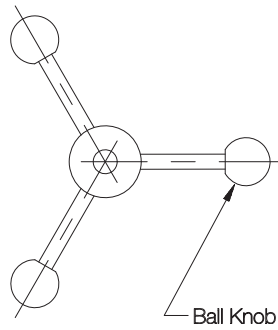
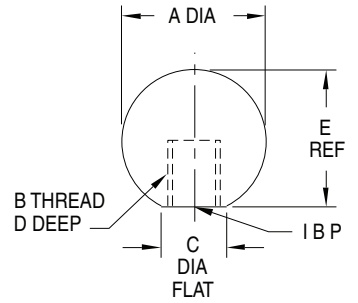
BLACK PHENOLIC, THERMOPLASTIC, OR CUSHION-GRIP PLASTIC WITH BRASS INSERT

Thermoplastic — Tapped



1/4-20 CL-6320-PB
 5/16-18 CL-6420-PB
 3/8-16 CL-6520-PB
 1/2-13 CL-6720-PB

Ball Knobs are now available in three materials: phenolic plastic (**INFO+**: see page 152), thermoplastic, and cushion-grip plastic.



Cushion Grip — Tapped



1/4-20 CL-6325-PB
 5/16-18 CL-6425-PB
 3/8-16 CL-6525-PB
 1/2-13 CL-6725-PB

THERMOPLASTIC — TAPPED (INCH)

PART NO.	A DIA	B	C DIA	D	E
CL-6320-PB	1-1/2	1/4-20	5/8	5/8	1-15/64
CL-6420-PB		5/16-18			
CL-6520-PB		3/8-16			
CL-6720-PB		1/2-13			

CUSHION GRIP — TAPPED (INCH)

PART NO.	A DIA	B	C DIA	D	E
CL-6325-PB	1-1/2	1/4-20	5/8	5/8	1-15/64
CL-6425-PB		5/16-18			
CL-6525-PB		3/8-16			
CL-6725-PB		1/2-13			

OVAL BALL KNOBS

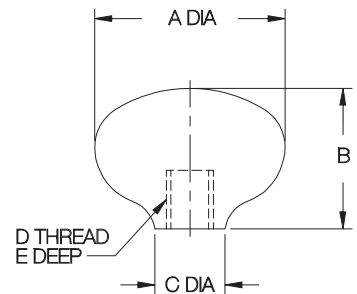
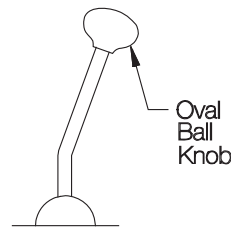
BLACK PHENOLIC PLASTIC WITH BRASS INSERT

Phenolic — Tapped



3/8-16 CL-852-OBK
 3/8-24 CL-854-OBK
 1/2-13 CL-872-OBK

1/4-20 CL-532-OBK
 5/16-18 CL-542-OBK
 3/8-16 CL-552-OBK



PHENOLIC — TAPPED (INCH)

PART NO.	A DIA	B	C DIA	D	E
CL-532-OBK	1-1/8	1-7/16	1/2	1/4-20	7/16
CL-542-OBK				5/16-18	
CL-552-OBK				3/8-16	1/2
CL-852-OBK	2-1/32	1-1/2	3/4	3/8-16	1/2
CL-854-OBK				3/8-24	
CL-872-OBK				1/2-13	5/8

Comfortable-grip ball knobs that are ideal for shift levers, control levers and push/pull rods. Molded-in brass insert provides superior thread strength. Choice of two shapes. Non-standard thread sizes or molded-in studs are available in quantities of 500 and above. Note: Catalog photos are actual size.

BALL KNOBS

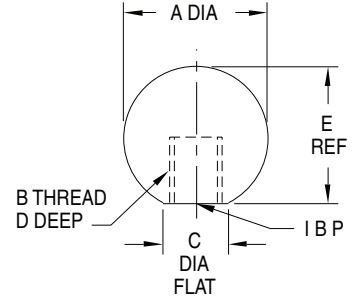
1018 STEEL, BLACK OXIDE FINISH, OR 316 STAINLESS STEEL

3

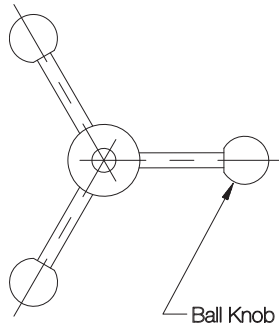


Steel — Tapped

1/4-20	CL-632-SBK
5/16-18	CL-642-SBK
3/8-16	CL-652-SBK
1/2-13	CL-672-SBK
M6	CLM-632-SBK
M8	CLM-642-SBK
M10	CLM-652-SBK
M12	CLM-672-SBK



Heavy-duty knob handle made of steel with a black oxide finish. This durable, multi-purpose knob is suitable for many applications. Ideal when added weight is desirable for easier lever actuation. Note: Catalog photo is actual size.



STEEL — TAPPED (INCH)

PART NO.	A DIA	B	C DIA	D	E
CL-632-SBK	1-1/2	1/4-20	5/8	9/16	1-7/16
CL-642-SBK		5/16-18		5/8	
CL-652-SBK		3/8-16			
CL-672-SBK		1/2-13			

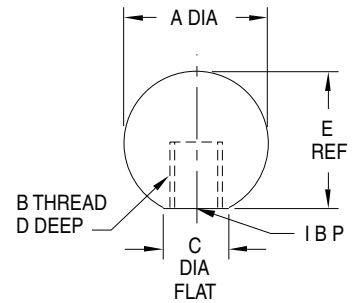
STEEL — TAPPED (METRIC)

PART NO.	A DIA	B	C DIA	D	E
CLM-632-SBK	1-1/2	M6	5/8	9/16	1-7/16
CLM-642-SBK		M8		5/8	
CLM-652-SBK		M10			
CLM-672-SBK		M12			



Stainless Steel — Tapped

1/4-20	CL-632-SBK-S
5/16-18	CL-642-SBK-S
3/8-16	CL-652-SBK-S
1/2-13	CL-672-SBK-S
M6	CLM-632-SBK-S
M8	CLM-642-SBK-S
M10	CLM-652-SBK-S
M12	CLM-672-SBK-S



Heavy-duty knob handle made of type 316 stainless steel for excellent corrosion resistance. This durable, multi-purpose knob is suitable for many applications, including marine and chemical environments. Ideal when added weight is desirable for easier lever actuation. Attractive polished finish. Note: Catalog photo is actual size.

STAINLESS STEEL — TAPPED (INCH)

PART NO.	A DIA	B	C DIA	D	E
CL-632-SBK-S	1-1/2	1/4-20	5/8	9/16	1-7/16
CL-642-SBK-S		5/16-18		5/8	
CL-652-SBK-S		3/8-16			
CL-672-SBK-S		1/2-13			

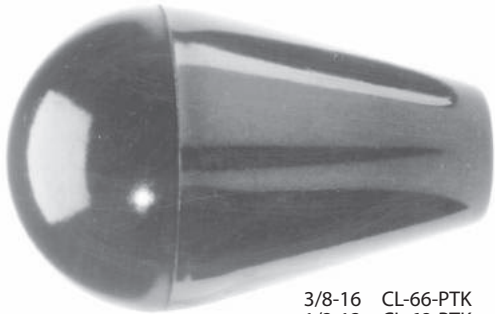
STAINLESS STEEL — TAPPED (METRIC)

PART NO.	A DIA	B	C DIA	D	E
CLM-632-SBK-S	1-1/2	M6	5/8	9/16	1-7/16
CLM-642-SBK-S		M8		5/8	
CLM-652-SBK-S		M10			
CLM-672-SBK-S		M12			

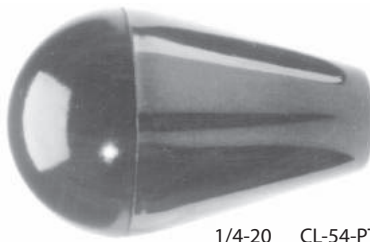
OVAL TAPERED KNOBS

BLACK PHENOLIC OR CUSHION-GRIP PLASTIC WITH BRASS INSERT

Phenolic — Tapped



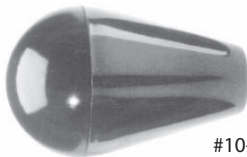
3/8-16 CL-66-PTK
1/2-13 CL-68-PTK
M10 CLM-610-PTK
M12 CLM-612-PTK



1/4-20 CL-54-PTK
5/16-18 CL-55-PTK
M8 CLM-58-PTK

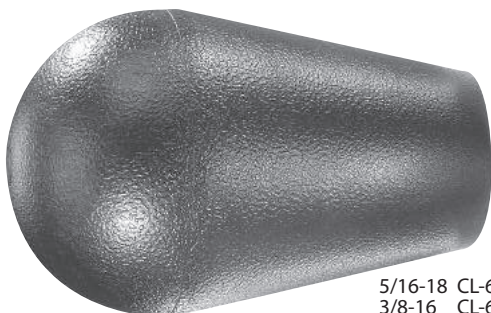


1/4-20 CL-44-PTK
5/16-18 CL-45-PTK
3/8-16 CL-46-PTK
M6 CLM-46-PTK



#10-32 CL-23-PTK
1/4-20 CL-24-PTK
M6 CLM-26-PTK

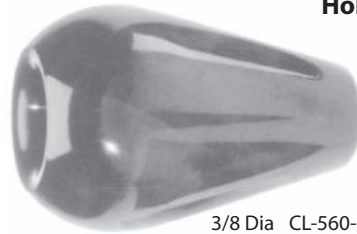
Cushion Grip — Tapped



5/16-18 CL-650-PTK
3/8-16 CL-660-PTK

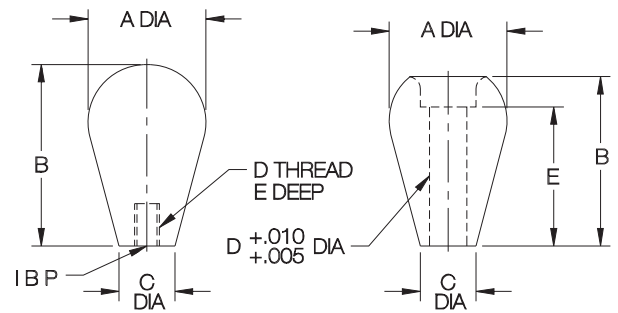
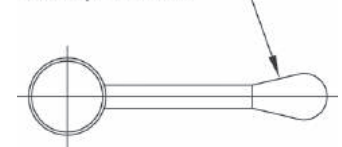
Attractive design suitable for control levers and push/pull rods. Molded-in brass insert provides superior thread strength. The solid-plastic through-hole version can be used with a Shoulder Screw as a revolving crank handle. Choice of four knob sizes. Non-standard thread sizes, molded-in studs, or special colors (cushion grip only) are available in quantities of 500 and above. Note: Catalog photos are actual size.

Phenolic — Through Hole



3/8 Dia CL-560-PTK

Oval Tapered Knob



PHENOLIC — TAPPED (INCH & METRIC)

PART NO.	A DIA	B	C DIA	D	E
CL-23-PTK	3/4	1-1/4	3/8	#10-32	5/16
CL-24-PTK*				1/4-20	7/16
CLM-26-PTK*	1	1-5/8	1/2	M6	7/16
CL-44-PTK				1/4-20	
CL-45-PTK				5/16-18	
CL-46-PTK				3/8-16	
CLM-46-PTK				M6	
CL-54-PTK	1-3/16	1-7/8	9/16	1/4-20	7/16
CL-55-PTK				5/16-18	
CLM-58-PTK	1-5/8	2-1/2	7/8	M8	5/8
CL-66-PTK				3/8-16	
CL-68-PTK				1/2-13	
CLM-610-PTK				M10	
CLM-612-PTK				M12	5/8

PHENOLIC — THROUGH HOLE

CL-560-PTK*	1-3/16	1-3/4	9/16	.375	1-7/16
-------------	--------	-------	------	------	--------

CUSHION GRIP — TAPPED (INCH)

CL-650-PTK	1-5/8	2-1/2	7/8	5/16-18	5/8
CL-660-PTK				3/8-16	

* These sizes are solid plastic, without a brass insert.

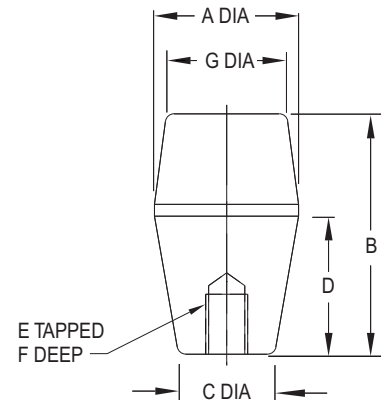
TAPERED KNOBS

BLACK CUSHION-GRIP PLASTIC WITH BRASS INSERT

Cushion Grip — Tapped



5/16-18 CL-655-TAPK
 3/8-16 CL-665-TAPK
 1/2-13 CL-685-TAPK



Attractive square design, ideal for lever handles. Made from Cushion Grip plastic, a unique material that feels soft to the touch, comfortable yet rugged. Textured non-slip, non-glare finish. Molded-in brass insert provides superior thread strength. Non-standard thread sizes, molded-in studs, or special colors are available in quantities of 500 and above. Note: Catalog photo is actual size.

CUSHION GRIP — TAPPED (INCH)

PART NO.	A DIA	B	C DIA	D	E	F	G DIA
CL-655-TAPK					5/16-18	3/4	1-1/8
CL-665-TAPK	1-1/2	2-1/2	15/16	1-1/2	3/8-16	5/8	
CL-685-TAPK					1/2-13		

PALM-GRIP HANDLES

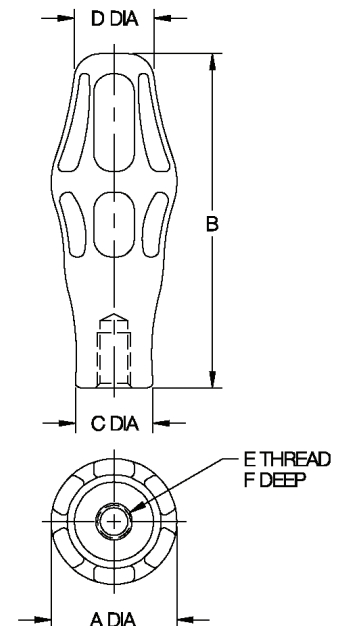
BLACK THERMOPLASTIC WITH BRASS INSERT

Thermoplastic — Tapped



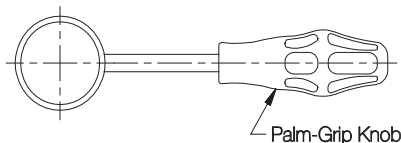
1/4-20 CL-632-PGH
 5/16-18 CL-642-PGH
 3/8-16 CL-652-PGH

This unique, ergonomically designed handle provides an extremely comfortable grip. Greatly reduces stress on hands, wrists, and arms to help eliminate the risk of repetitive-motion disorders. Textured non-slip, non-glare finish. Molded-in brass insert provides superior thread strength. Non-standard thread sizes, molded-in studs, or special colors are available in quantities of 500 and above. Note: Catalog photo is actual size.



THERMOPLASTIC — TAPPED (INCH)

PART NO.	A DIA	B	C DIA	D DIA	E	F
CL-632-PGH	1-3/8	3-3/4	7/8	7/8	1/4-20	7/8
CL-642-PGH					5/16-18	5/8
CL-652-PGH					3/8-16	



Palm-Grip Knob

KNOB HANDLES

BLACK CUSHION-GRIP PLASTIC. TAPPED VERSION WITH BRASS INSERT

Cushion Grip — Tapped or Cored



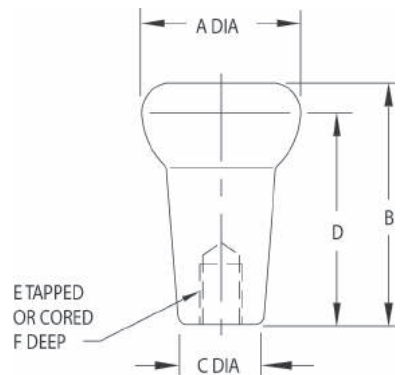
5/16-18 CL-855-KH
3/8-16 CL-865-KH
3/8 DIA CL-866-KH



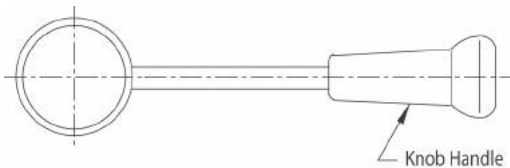
5/16-18 CL-655-KH
3/8-16 CL-665-KH
3/8 DIA CL-666-KH



5/16-18 CL-455-KH
3/8-16 CL-465-KH
3/8 DIA CL-466-KH



Tapered handle with a knob end for secure gripping. Made from Cushion-Grip plastic, a unique material that feels soft to the touch, comfortable yet rugged. Non-slip, non-glare finish. Molded-in brass insert on the tapped version provides superior thread strength. Optionally available with a plain cored hole to press fit on a shaft. The cored hole is somewhat undersize to grip tightly on a nominal-size shaft without requiring pinning. Non-standard thread sizes, molded-in studs, or special colors are available in quantities of 500 and above. Note: Catalog photos are actual size.



Combination knob and tapered handle. The knob end helps prevent operator's hand from sliding off the handle.

CUSHION GRIP — TAPPED (INCH)

PART NO.	A DIA	B	C DIA	D	E	F
CL-455-KH	1-3/8	2-1/8	13/16	11-1/4	5/16-18	5/8
CL-465-KH					3/8-16	
CL-655-KH	1-5/8	2-1/2	7/8	1-1/2	5/16-18	7/16
CL-665-KH					3/8-16	
CL-855-KH	1-1/2	4-3/8		3-1/2	5/16-18	1/2
CL-865-KH					3/8-16	

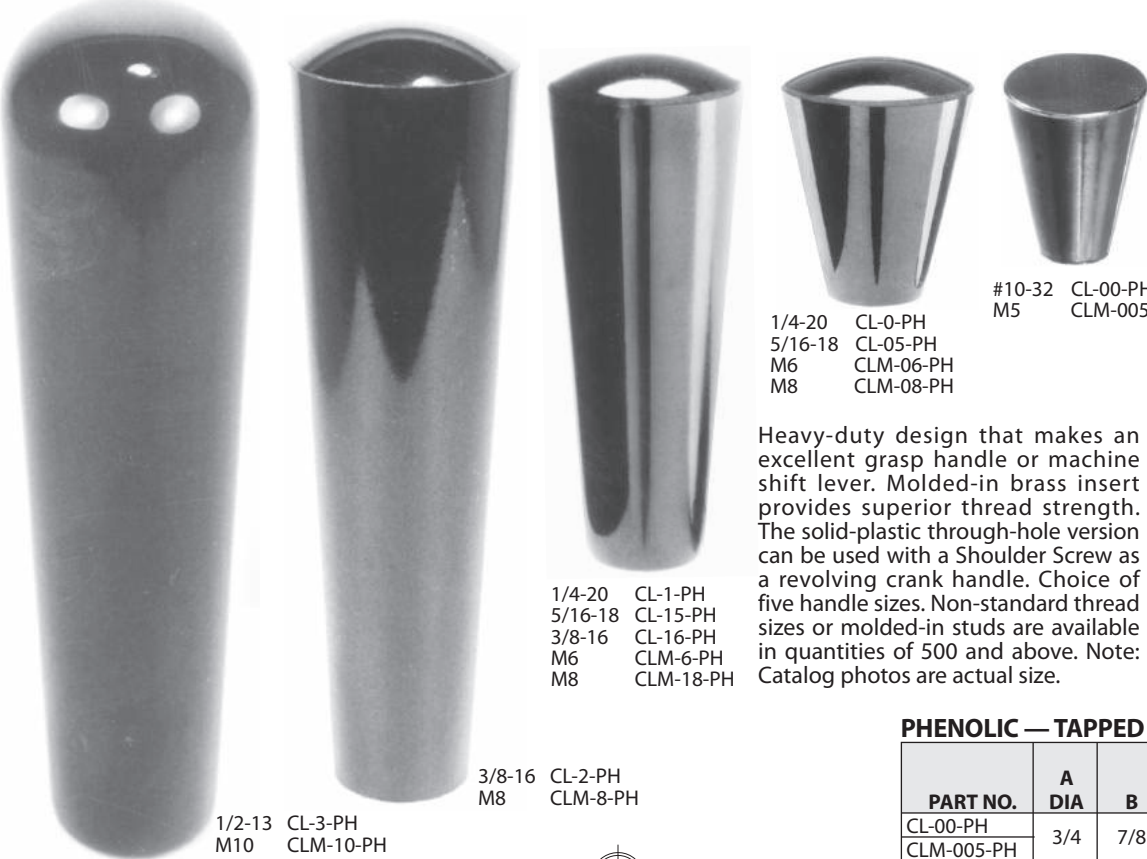
CUSHION GRIP — CORED

PART NO.	A DIA	B	C DIA	D	E		F
					FOR SHAFT DIA	ACTUAL DIA	
CL-466-KH	1-3/8	2-1/8	13/16	1-1/4	3/8	.312-.327	1
CL-666-KH	1-5/8	2-1/2	7/8	1-1/2			
CL-866-KH	1-1/2	4-3/8	7/8	3-1/2			

TAPERED HANDLES

BLACK PHENOLIC PLASTIC WITH BRASS INSERT

3



Phenolic — Tapped

#10-32 CL-00-PH
M5 CLM-005-PH

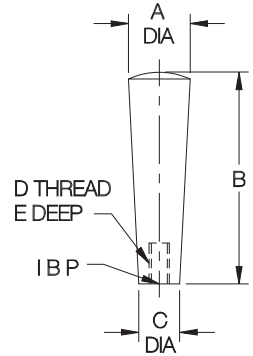
1/4-20 CL-0-PH
5/16-18 CL-05-PH
M6 CLM-06-PH
M8 CLM-08-PH

1/4-20 CL-1-PH
5/16-18 CL-15-PH
3/8-16 CL-16-PH
M6 CLM-6-PH
M8 CLM-18-PH

3/8-16 CL-2-PH
M8 CLM-8-PH

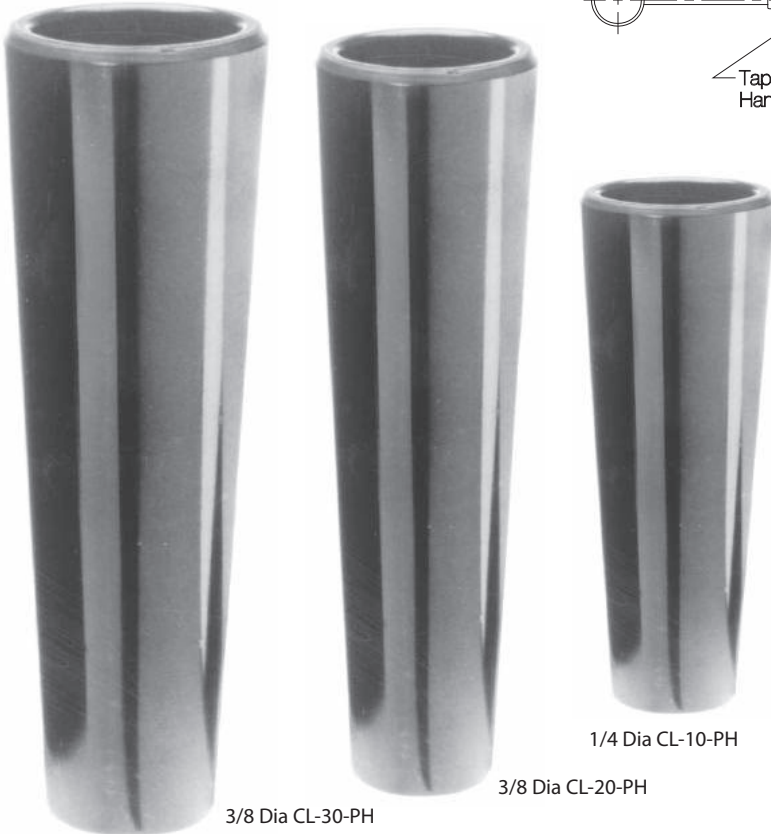
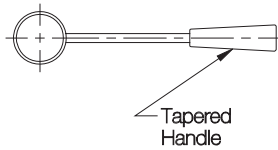
1/2-13 CL-3-PH
M10 CLM-10-PH

Heavy-duty design that makes an excellent grasp handle or machine shift lever. Molded-in brass insert provides superior thread strength. The solid-plastic through-hole version can be used with a Shoulder Screw as a revolving crank handle. Choice of five handle sizes. Non-standard thread sizes or molded-in studs are available in quantities of 500 and above. Note: Catalog photos are actual size.

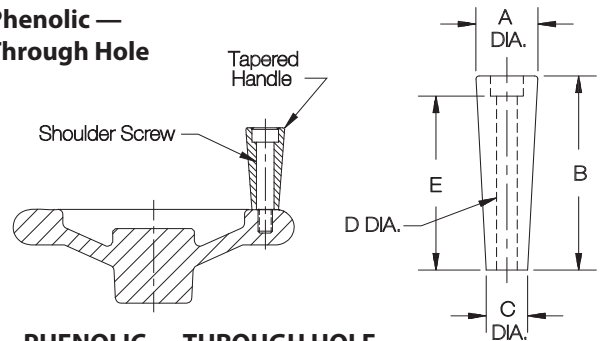


PHENOLIC — TAPPED (INCH & METRIC)

PART NO.	A DIA	B	C DIA	D	E
CL-00-PH CLM-005-PH	3/4	7/8	3/8	#10-32 M5	5/16
CL-0-PH CL-05-PH CLM-06-PH CLM-08-PH	1	1-1/4	1/2	1/4-20 5/16-18 M6 M8	7/16 3/8
CL-1-PH CL-15-PH CL-16-PH CLM-6-PH CLM-18-PH	1	2-5/8	5/8	1/4-20 5/16-18 3/8-16 M6 M8	7/16 1/2 7/16
CL-2-PH CLM-8-PH	1-1/8	3-7/8	3/4	3/8-16 M8	5/8 7/16
CL-3-PH CLM-10-PH	1-3/8	4-1/2	1	1/2-13 M10	2



Phenolic — Through Hole



PHENOLIC — THROUGH HOLE

PART NO.	A DIA	B	C DIA	D		E
				NOMINAL	ACTUAL	
CL-10-PH*	1	2-9/16	5/8	1/4	.251/.256	5/8
CL-20-PH*	1-1/8	3-11/16	3/4	3/8	.380/.385	2-5/8
CL-30-PH*	1-3/8	4-3/32	1	3/8	.380/.390	2-5/8

* This size is solid plastic, without a brass insert.

PULL KNOBS

BLACK PHENOLIC PLASTIC WITH BRASS INSERT

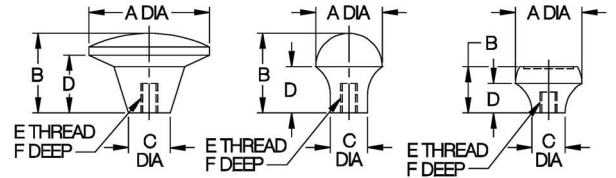
Versatile knob with an enlarged head for pulling, pushing, or lifting. Molded-in brass insert provides superior thread strength. Choice of three types, in two sizes each. Non-standard thread sizes or molded-in studs are available in quantities of 500 and above. Note: Catalog photos are actual size.



**Phenolic—Tapped
Flat Top**

1/4-20 CL-632-PK
5/16-18 CL-642-PK
3/8-16 CL-652-PK
M8 CLM-642-PK

#10-32 CL-424-PK
1/4-20 CL-432-PK
M5 CLM-422-PK
M6 CLM-432-PK



**Phenolic—Tapped
Oval Top**

3/8-24 CL-654-PKO

#10-32 CL-424-PKO
1/4-20 CL-432-PKO
M5 CLM-422-PKO
M6 CLM-432-PKO



#10-32 CL-424-PKR
1/4-20 CL-432-PKR



#6-32 CL-202-PKR
#8-32 CL-212-PKR
#10-32 CL-224-PKR
1/4-20 CL-232-PKR

PHENOLIC — TAPPED, FLAT TOP (INCH & METRIC)

PART NO.	A DIA	B	C DIA	D	E	F
CL-424-PK	1-3/8	7/8	5/8	5/8	#10-32	5/16
CL-432-PK					1/4-20	7/16
CLM-422-PK					M5	5/16
CLM-432-PK					M6	7/16
CL-632-PK	1-13/16	1-3/16	5/8	7/8	1/4-20	7/16
CL-642-PK					5/16-18	
CL-652-PK					3/8-16	1/2
CLM-642-PK					M8	

PHENOLIC — TAPPED, OVAL TOP (INCH & METRIC)

CL-424-PKO	1	1-3/16	9/16	11/16	#10-32	5/16
CL-432-PKO					1/4-20	7/16
CLM-422-PKO					M5	5/16
CLM-432-PKO					M6	7/16
CL-654-PKO	1-5/8	1	5/8	3/8	3/8-24	1/2

PHENOLIC — TAPPED, RECESSED TOP (INCH)

CL-202-PKR	3/4	3/4	1/2	21/32	#6-32	5/16
CL-212-PKR					#8-32	
CL-224-PKR					#10-32	
CL-232-PKR					1/4-20	
CL-424-PKR	1	11/16	1/2	7/16	#10-32	5/16
CL-432-PKR					1/4-20	

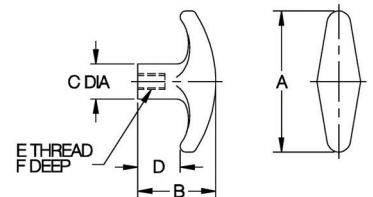
T HANDLES

BLACK PHENOLIC PLASTIC WITH BRASS INSERT

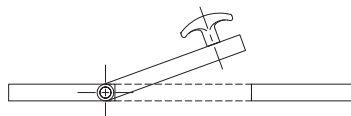


Phenolic—Tapped

Easy-gripping handle for push/pull applications, such as release latches and cabinet doors. Molded-in brass insert provides superior thread strength. Non-standard thread sizes or molded-in studs are available in quantities of 500 and above. Note: Catalog photo is actual size.



#10-32 CL-424-TH
1/4-20 CL-432-TH
1/4-28 CL-434-TH
5/16-18 CL-442-TH
M5 CLM-422-TH
M6 CLM-432-TH
M8 CLM-442-TH



PHENOLIC — TAPPED (INCH & METRIC)

PART NO.	A	B	C DIA	D	E	F
CL-424-TH	2-1/4	1-1/4	9/16	11/16	#10-32	5/16
CL-432-TH					1/4-20	7/16
CL-434-TH					1/4-28	
CL-442-TH					5/16-18	5/16
CLM-422-TH					M5	
CLM-432-TH					M6	
CLM-442-TH					M8	

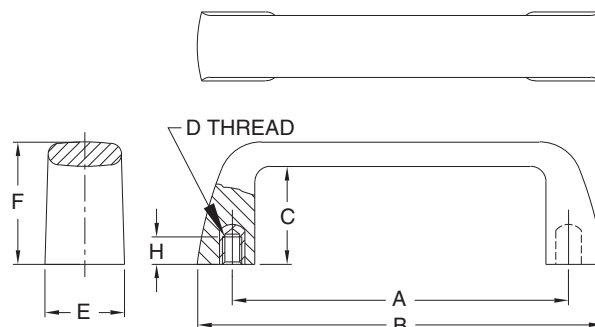
PULL HANDLES

BLACK THERMOPLASTIC WITH BRASS INSERT

3



**Square Design
Thermoplastic
Tapped**



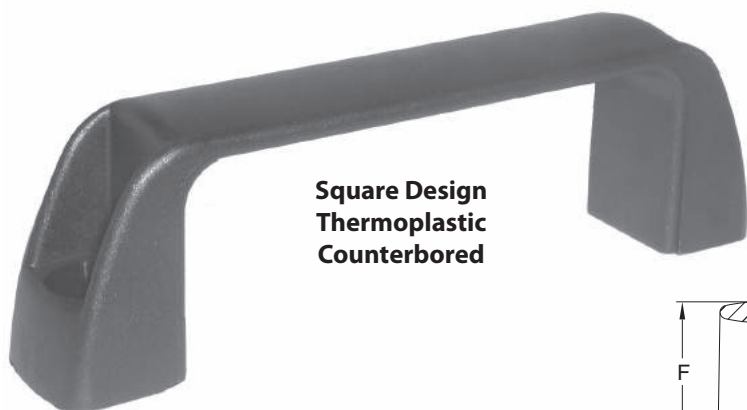
Attractive, modern-design handle that provides a comfortable grip with good ergonomic features. Excellent durability. Textured non-slip, non-glare finish. Molded-in brass insert provides superior thread strength. Black fiber-reinforced nylon thermoplastic (textured surface for secure gripping, excellent impact resistance, operating temperatures to 230°F). Choice of two handle sizes, available with either inch or metric threads.

TAPPED (INCH)

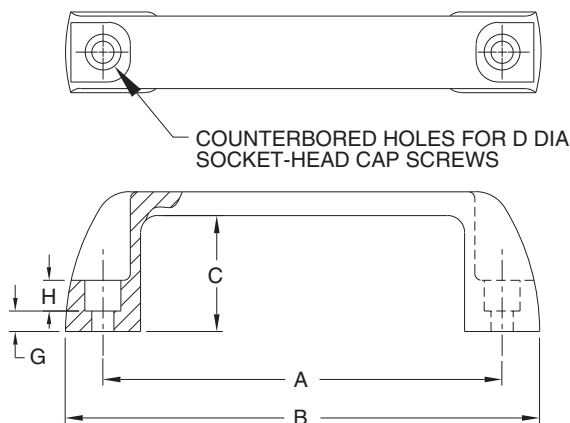
PART NO.	A	B	C	D	E	F	H
CL-105-PHS-4	4.13	4.76	1.14	1/4-20	1.02	1.46	.35
CL-117-PHS-5	4.61	5.24	1.26	5/16-18		1.57	

TAPPED (METRIC)

PART NO.	A	B	C	D	E	F	H
CLM-105-PHS-6	4.13	4.76	1.14	M6	1.02	1.46	.35
CLM-117-PHS-8	4.61	5.24	1.26	M8		1.57	



**Square Design
Thermoplastic
Counterbored**



Attractive, modern-design handle that provides a comfortable grip with good ergonomic features. Excellent durability. Textured non-slip, non-glare finish. Counterbored for Socket-Head Cap Screws. Choice of four handle sizes. Black fiber-reinforced nylon thermoplastic (textured surface for secure gripping, excellent impact resistance, operating temperatures to 230°F).

COUNTERBORED

PART NO.	A	B	C	D DIA	E	F	G	H
CL-94-PHSC-4	3.68	4.41	1.18	1/4 or M6	.83	1.42	.24	.28
CL-117-PHSC-5	4.61	5.47	1.34		1.02	1.61	.24	
CL-132-PHSC-5	5.20	6.14	1.46	5/16 or M8	1.06	1.77	.28	.35
CL-179-PHSC-5	7.05	8.03	1.65		1.10	1.97	.31	

PULL HANDLES

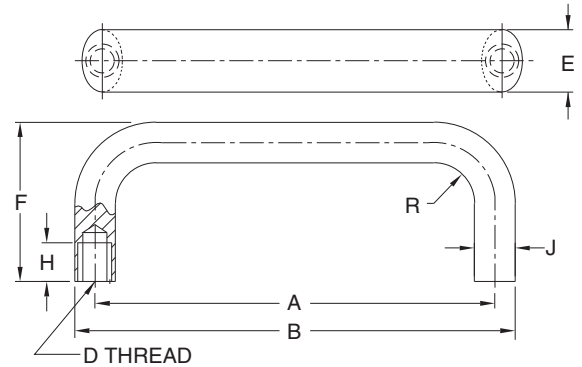
ALUMINUM, BLACK POWDER-COATED FINISH, OR 304 STAINLESS STEEL



**Rounded Design
Aluminum
Tapped**

**Rounded Design
Stainless Steel
Tapped**

Attractive, modern-design aluminum handle provides a comfortable grip with good ergonomic features. Durable black powder-coated pebble finish. Tapped holes for mounting. Choice of four handle sizes, available with either inch or metric threads. Also available in stainless steel, shot blasted with a satin finish (two sizes).



ALUMINUM — TAPPED (INCH)

PART NO.	A	B	D	E	F	H	J	R
CL-112-PHR-4	4.41	4.92	1/4-20	.79	1.93	.39	.51	.51
CL-128-PHR-4	5.04	5.55			2.01			
CL-160-PHR-5	6.30	6.97	5/16-18	1.02	2.24	.47	.67	.67
CL-192-PHR-5	7.56	8.23						

ALUMINUM — TAPPED (METRIC)

PART NO.	A	B	D	E	F	H	J	R
CLM-112-PHR-6	4.41	4.92	M6	.79	1.93	.39	.51	.51
CLM-128-PHR-6	5.04	5.55			2.01			
CLM-160-PHR-8	6.30	6.97	M8	1.02	2.24	.47	.67	.67
CLM-192-PHR-8	7.56	8.23						

STAINLESS STEEL — TAPPED (METRIC)

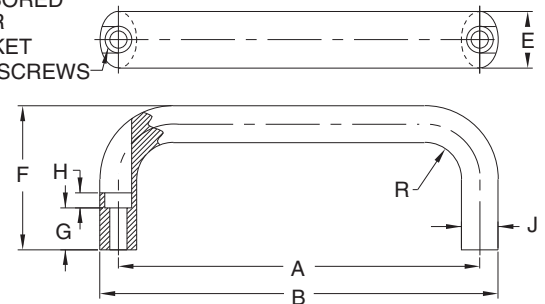
PART NO.	A	B	D	E	F	H	J	R
CLM-112-PHR-6-S	4.41	4.92	M6	.79	1.93	.39	.51	.51
CLM-128-PHR-6-S	5.04	5.55			2.01			



**Rounded Design
Aluminum
Counterbored**

Similar to the handles above, except counterbored for Socket-Head Cap Screws. Attractive, modern-design aluminum handle provides a comfortable grip with good ergonomic features. Durable black powder-coated pebble finish. Choice of four handle sizes.

COUNTERBORED HOLES FOR D DIA SOCKET HEAD CAP SCREWS



ALUMINUM — COUNTERBORED

PART NO.	A	B	D	E	F	G	H	J	R
CL-116-PHRC-4	4.57	5.08	1/4 or M6	1.02	2.09	.39	.28	.67	.67
CL-132-PHRC-4	5.20	5.71			2.17				
CL-164-PHRC-4	6.46	6.97			2.24				
CL-196-PHRC-4	7.72	8.23							

The Absolute Source For Aerospace Tooling Components

3

High quality stock items from Carr Lane Manufacturing meet today's rigorous military and aerospace industry specifications.



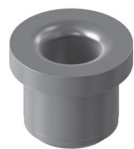
Floating Clamps
Page 305



Captive Locating Screws
and Jig Pins
Pages 34, 37-40



Air Rest Buttons
Page 222-223



ON-SIZE® Bushings
Page 249



LIFE-EX® Pins
Page 238-239

SPRING-LOADED DEVICES



Spring Plungers



Ball Plungers



**Hand-Retractable
Plungers**



Index Plungers



Spring Stop Buttons



Spring Locating Pins

Also see:



**Adjustable-Torque
Thumb Screws**
p. 124



**Adjustable-Torque
Knobs**
p. 125



Torque Screw Jacks
p. 230

SPRING PLUNGERS

TYPES



STANDARD

Long bearing length on plunger for smooth operation. Locking element holds the unit securely in place after installation. Install and/or adjust from either end (when using the slot at the plunger end).



SHORT

Compact, short-stroke version of our standard Spring Plungers. Self-contained plunger-and-spring device available in many sizes and forces. Locking element holds the unit securely in place after installation.



SHORT WITH EXTENDED TRAVEL

This self-contained plunger-and-spring device is available in a wide range of sizes. Locking element holds the unit securely in place after installation.



PRESS FIT

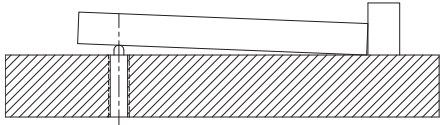
Sturdy shoulder provides a fixed seating position and positively resists detent force (installation hole can be counterbored to recess the shoulder).

SELECTION CHART

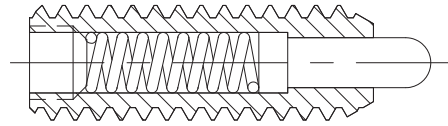
STYLE	OD																
	#6-32	#8-32	#8-36	#10-32	M5	1/4-20	M6	1/4-28	5/16-18	M8	3/8-16	M10	1/2-13	M12	5/8-11	3/4-10	1"-8
Spring Plunger																	
Steel Nose	X	X		X		X	X	X	X	X	X	X	X	X	X	X	X
Stainless Steel	X	X		X		X	X	X	X	X	X	X	X				
Delrin® Nose		X		X		X	X		X	X	X	X	X	X	X		
Stainless Steel, Delrin® Nose		X		X		X	X		X	X	X	X	X	X			
Short Spring Plunger																	
Steel Nose		X	X	X	X	X	X		X	X	X	X	X				
Stainless Steel		X	X	X	X	X			X		X		X				
Delrin® Nose		X	X	X	X	X	X		X	X	X	X	X		X		
Stainless Steel, Delrin® Nose		X	X	X	X	X			X		X		X				
Extended Travel, Steel Nose		X	X	X	X	X	X		X	X	X	X	X		X		
Extended Travel, Stainless Steel		X	X	X	X	X			X		X		X				
Extended Travel, Delrin® Nose		X	X	X	X	X	X		X	X	X	X	X		X		
Extended Travel, Stainless Steel, Delrin® Nose		X	X	X	X	X			X		X		X				
Press Fit Spring Plunger																	
Steel Nose		1/8"		3/16"		1/4"			5/16"		3/8"		1/2"				
Stainless Steel		1/8"		3/16"		1/4"			5/16"		3/8"		1/2"				
Delrin® Nose		1/8"		3/16"		1/4"			5/16"		3/8"		1/2"				
Stainless Steel, Delrin® Nose		1/8"		3/16"		1/4"			5/16"		3/8"		1/2"				

SPRING PLUNGERS

TECHNICAL INFORMATION



Spring plungers are often used to lift parts after machining to make unloading easier.



Nose Extended

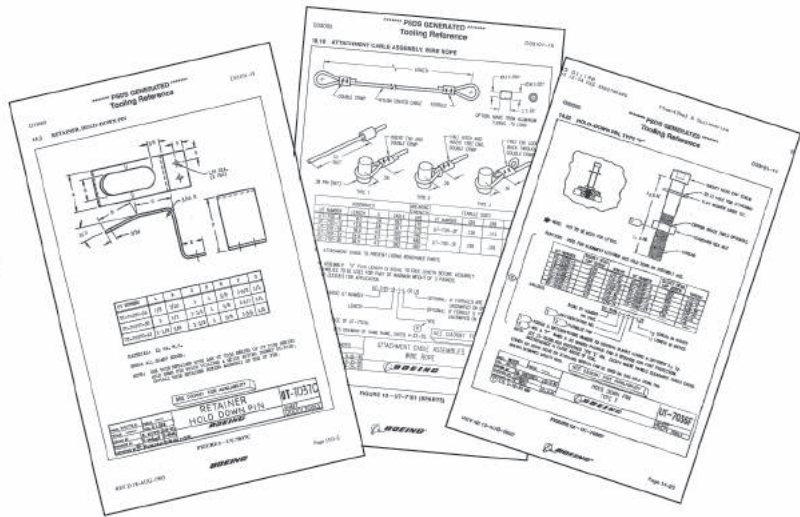
Spring Plungers are self-contained plunger-and-spring devices that apply force over a relatively wide range of travel. The plunger nose has a long bearing length to provide smooth, linear operation. Spring Plungers are available in a wide range of sizes and forces, most in a choice of light or heavy end force. A Spring Plunger's end force is very consistent -- beginning at the stated "initial" value, and increasing linearly (due to spring compression) through the range of travel, until it reaches the stated "final" value at maximum travel.

Most Spring Plungers have a locking element to hold it securely in place after installation. This element is a locking patch on small diameters and a nylon locking pellet on larger sizes. To obtain full holding torque on sizes with a locking pellet, countersink the installation hole to avoid cutting the pellet. Countersink at a 90° angle to a diameter 1/32" larger than the major thread diameter. Then, as you screw the plunger into its hole, the locking pellet will be compressed, no cut. The locking pellet does not apply excessive force, so it also works well in softer metals such as aluminum.

Spring Plungers are recommended only for applying straight-line force, not for sideways breakaway from a detent position. For breakaway applications, the rolling ball and short stroke of a Ball Plunger are crucial features for smooth, repeatable operation.

When your project calls for special parts, call Carr Lane.

Carr Lane Manufacturing makes more than 7,000 dedicated aerospace items, and tens of thousands of other customer requests.



Carr Lane Manufacturing has full manufacturing capabilities to make virtually any special item.

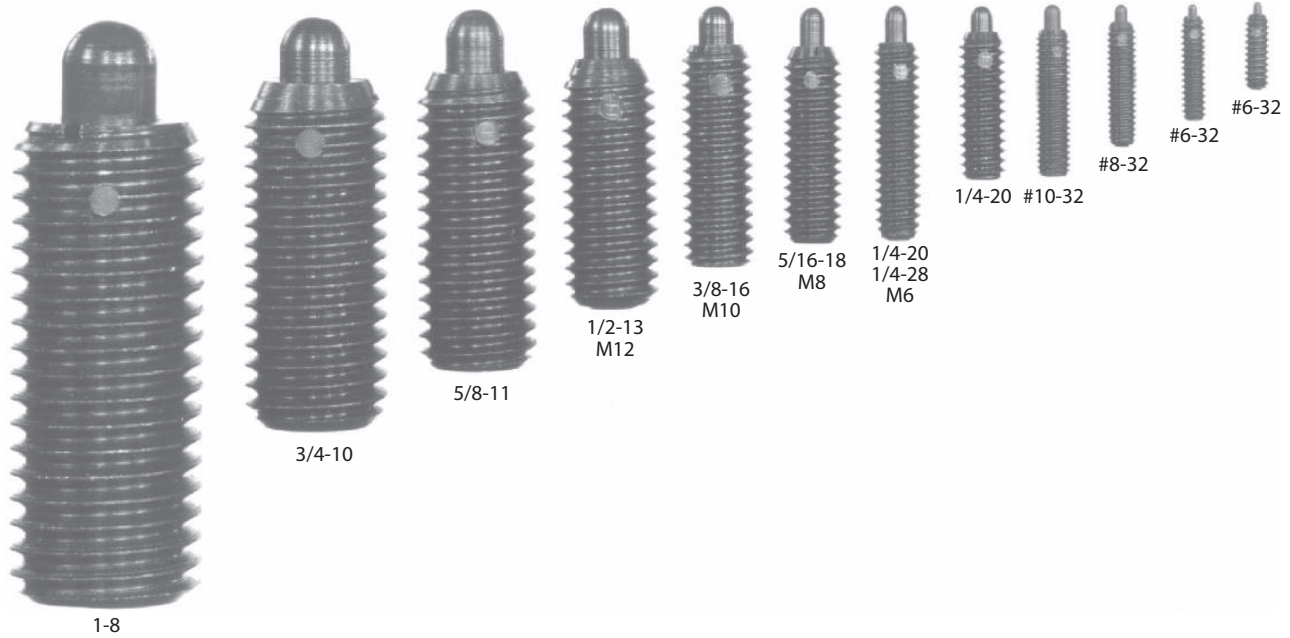
www.carrlane.com/RFQ

Carr Lane
MANUFACTURING CO.

SPRING PLUNGERS

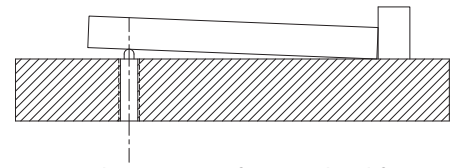
STEEL – BODY: 12L14 STEEL, BLACK OXIDE FINISH (METRIC SIZES ZINC PLATED CLEAR CHROMATE).
 PLUNGER NOSE: 12L14 STEEL, CARBURIZED-HARDENED, BLACK OXIDE FINISH OR
 ZINC PLATED CLEAR CHROMATE (OR DELRIN®). SPRING: MUSIC WIRE.
 STAINLESS STEEL – BODY: 300-SERIES STAINLESS.
 PLUNGER NOSE: 300-SERIES STAINLESS (OR DELRIN®). SPRING: 302 STAINLESS.

4

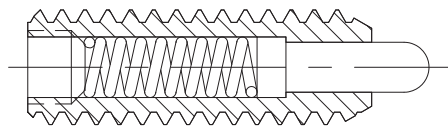


Self-contained plunger-and-spring device available in many sizes and forces. Long bearing length on plunger for smooth operation. Locking element holds the unit securely in place after installation. Install and/or adjust from either end (when using the slot at the plunger end, install with a Plunger Wrench to avoid over-compressing the spring).

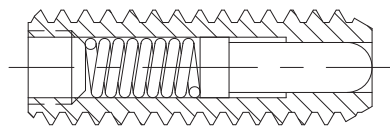
Available in thread sizes from #6-32 to 1"-8 (M6 to M12 in metric). Choice of light or heavy force in each thread size. Available in steel, with hardened plunger nose, or stainless steel. Optionally available with a Delrin® nose to prevent marring. Note: Catalog photos are actual size.



Spring plungers are often used to lift parts after machining to make unloading easier.



Nose Extended

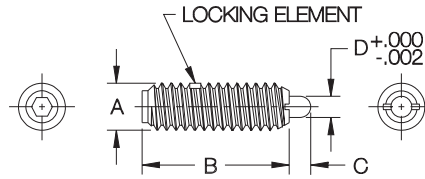


Nose Retracted

PLUNGER NOSE COLOR CODES

BODY	NOSE	FORCE	COLOR CODE
STEEL	STEEL	LIGHT	SILVER
		HEAVY	BLACK
	DELRIN®	LIGHT	WHITE
		HEAVY	BROWN
STAINLESS	STAINLESS	LIGHT	PLAIN
		HEAVY	PLAIN
	DELRIN®	LIGHT	WHITE
		HEAVY	BROWN

SPRING PLUNGERS



STANDARD PLUNGER NOSE, LIGHT FORCE (INCH)

PART NO.		A	END FORCE (LBS)		B	C	D DIA
STEEL	STAINLESS		INITIAL	FINAL			
CL-10-SPS-2	CL-10-SSPS-2	#6-32	0.5	1.5	17/32	1/16	.046
CL-20-SPS-2	CL-20-SSPS-2	#8-32	0.7	2.3	5/8	3/32	.070
CL-30-SPS-2	CL-30-SSPS-2	#10-32	1.3	2.7	3/4	1/8	.093
CL-40-SPS-2	CL-40-SSPS-2	1/4-20	1	4	1	3/16	.119
CL-41-SPS-2	CL-41-SSPS-2	1/4-28					
CL-50-SPS-2	CL-50-SSPS-2	5/16-18	1.5	4.5	1	3/16	.135
CL-60-SPS-2	CL-60-SSPS-2	3/8-16	2.8	7.2	1-1/8	3/16	.186
CL-70-SPS-2	CL-70-SSPS-2	1/2-13	2.7	9.3	1-1/4	1/4	.248
CL-80-SPS-2	—	5/8-11	3.5	10.5	1-1/2	5/16	.310
CL-90-SPS-2	—	3/4-10	4	16	1-3/4	5/16	.374
CL-95-SPS-2	—	1"-8	4	31	2-13/32	1/2	.499

DELRIN® PLUNGER NOSE, LIGHT FORCE (INCH)

PART NO.		A	END FORCE (LBS)		B	C	D DIA
STEEL	STAINLESS		INITIAL	FINAL			
—	—	#6-32	—	—	—	—	—
CL-20-SPN-2	—	#8-32	0.7	2.3	5/8	3/32	.070
CL-30-SPN-2	—	#10-32	1.3	2.7	3/4	1/8	.093
CL-40-SPN-2	—	1/4-20	1	4	1	3/16	.119
—	—	1/4-28	—	—	—	—	—
CL-50-SPN-2	—	5/16-18	1.5	4.5	1	3/16	.135
CL-60-SPN-2	—	3/8-16	2.8	7.2	1-1/8	3/16	.186
CL-70-SPN-2	—	1/2-13	2.7	9.3	1-1/4	1/4	.248
CL-80-SPN-2	—	5/8-11	3.5	10.5	1-1/2	5/16	.310
—	—	3/4-10	—	—	—	—	—
—	—	1"-8	—	—	—	—	—

STANDARD PLUNGER NOSE, HEAVY FORCE (INCH)

PART NO.		A	END FORCE (LBS)		B	C	D DIA
STEEL	STAINLESS		INITIAL	FINAL			
CL-11-SPS-1	CL-11-SSPS-1	#6-32	1.0	1.6	3/8	1/16	.046
CL-10-SPS-1	CL-10-SSPS-1		1.5	4.5	17/32		
CL-20-SPS-1	CL-20-SSPS-1	#8-32	2.7	7.3	5/8	3/32	.070
CL-30-SPS-1	CL-30-SSPS-1	#10-32	2.9	11.1	3/4	1/8	.093
CL-42-SPS-1	CL-42-SSPS-1	1/4-20	2	9	3/4	1/8	.119
CL-40-SPS-1	CL-40-SSPS-1		3	13	1		
CL-41-SPS-1	CL-41-SSPS-1	1/4-28	—	—	—	—	—
CL-50-SPS-1	CL-50-SSPS-1	5/16-18	3	15	1	3/16	.135
CL-60-SPS-1	CL-60-SSPS-1	3/8-16	5.5	14.5	1-1/8	3/16	.186
CL-70-SPS-1	CL-70-SSPS-1	1/2-13	6.6	17.4	1-1/4	1/4	.248
CL-80-SPS-1	—	5/8-11	10.5	25.5	1-1/2	5/16	.310
CL-90-SPS-1	—	3/4-10	6.7	37.3	1-3/4	5/16	.374
CL-95-SPS-1	—	1"-8	16	68	2-13/32	1/2	.499

DELRIN® PLUNGER NOSE, HEAVY FORCE (INCH)

PART NO.		A	END FORCE (LBS)		B	C	D DIA
STEEL	STAINLESS		INITIAL	FINAL			
—	—	#6-32	—	—	—	—	—
—	—	—	—	—	—	—	—
CL-20-SPN-1	—	#8-32	2.7	7.3	5/8	3/32	.070
CL-30-SPN-1	—	#10-32	2.9	11.1	3/4	1/8	.093
—	—	—	—	—	—	—	—
CL-40-SPN-1	—	1/4-20	3	13	1	3/16	.119
—	—	1/4-28	—	—	—	—	—
CL-50-SPN-1	—	5/16-18	3	15	1	3/16	.135
CL-60-SPN-1	—	3/8-16	5.5	14.5	1-1/8	3/16	.186
CL-70-SPN-1	—	1/2-13	6.6	17.4	1-1/4	1/4	.248
CL-80-SPN-1	—	5/8-11	10.5	25.5	1-1/2	5/16	.310
—	—	3/4-10	—	—	—	—	—
—	—	1"-8	—	—	—	—	—

STANDARD PLUNGER NOSE, LIGHT FORCE (METRIC)

PART NO.		A	END FORCE (LBS)		B	C	D DIA
STEEL	STAINLESS		INITIAL	FINAL			
CLM-6-SPS-1	CLM-6-SSPS-1	M6	1.0	4.0	1	3/16	.119
CLM-8-SPS-1	CLM-8-SSPS-1	M8	1.5	4.5	1	3/16	.135
CLM-10-SPS-1	CLM-10-SSPS-1	M10	2.8	7.2	1-1/8	3/16	.186
CLM-12-SPS-1	CLM-12-SSPS-1	M12	2.7	9.3	1-1/4	1/4	.248

DELRIN® PLUNGER NOSE, LIGHT FORCE (METRIC)

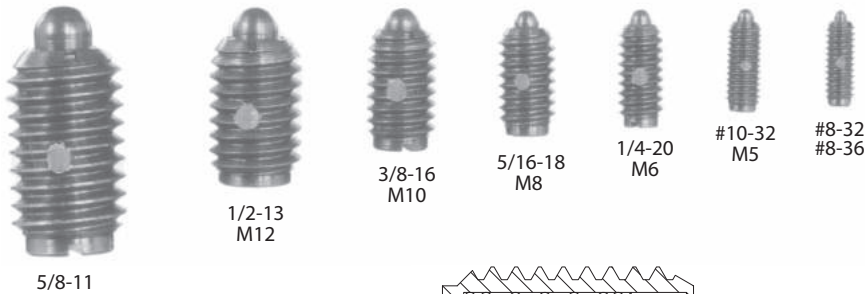
PART NO.		A	END FORCE (LBS)		B	C	D DIA
STEEL	STAINLESS		INITIAL	FINAL			
CLM-6-SPN-1	—	M6	1.0	4.0	1	3/16	.119
CLM-8-SPN-1	—	M8	1.5	4.5	1	3/16	.135
CLM-10-SPN-1	—	M10	2.8	7.2	1-1/8	3/16	.186
CLM-12-SPN-1	—	M12	2.7	9.3	1-1/4	1/4	.248

STANDARD PLUNGER NOSE, HEAVY FORCE (METRIC)

PART NO.		A	END FORCE (LBS)		B	C	D DIA
STEEL	STAINLESS		INITIAL	FINAL			
CLM-6-SPS-2	CLM-6-SSPS-2	M6	3.0	13.0	1	3/16	.119
CLM-8-SPS-2	CLM-8-SSPS-2	M8	3.0	15.0	1	3/16	.135
CLM-10-SPS-2	CLM-10-SSPS-2	M10	5.5	14.5	1-1/8	3/16	.186
CLM-12-SPS-2	CLM-12-SSPS-2	M12	6.6	17.4	1-1/4	1/4	.248

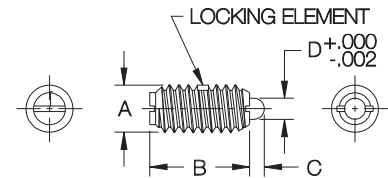
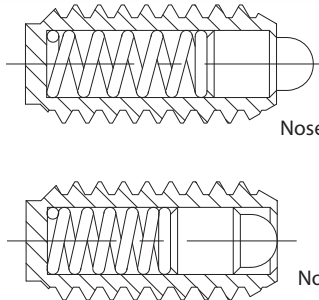
SHORT SPRING PLUNGERS

STEEL – BODY: 12L14 STEEL, BLACK OXIDE FINISH. PLUNGER NOSE: 12L14 STEEL, CARBURIZED-HARDENED, BLACK OXIDE FINISH OR ZINC PLATED CLEAR CHROMATE (OR DELRIN®). SPRING: MUSIC WIRE.
 STAINLESS STEEL – BODY: 300-SERIES STAINLESS.
 PLUNGER NOSE: 300-SERIES STAINLESS (OR DELRIN®). SPRING: 302 STAINLESS.



Compact, short-stroke version of our standard Spring Plungers. Self-contained plunger-and-spring device available in many sizes and forces. Locking element holds the unit securely in place after installation. Install and/or adjust from either end (when using the slot at the plunger end, install with a Plunger Wrench to avoid over-compressing the spring).

Available in thread sizes from #8-32 to 5/8-11 (M5 to M12 in metric). Choice of light or heavy force in each thread size. Available in steel, with a hardened plunger nose, or stainless steel. Optionally available with a Delrin® nose to prevent marring. Note: Catalog photos are actual size.



STANDARD PLUNGER NOSE, LIGHT FORCE (INCH)

PART NO.		A	END FORCE (LBS)		B	C	D DIA
STEEL	STAINLESS		INITIAL	FINAL			
CL-21-SPS-2	CL-21-SSPS-2	#8-32	0.5	1.5	7/16	.052	.070
CL-22-SPS-2	CL-22-SSPS-2	#8-36					
CL-31-SPS-2	CL-31-SSPS-2	#10-32	0.75	2.5	15/32	.065	.093
CL-43-SPS-2	CL-43-SSPS-2	1/4-20	1	3.5	17/32	.078	.119
CL-51-SPS-2	CL-51-SSPS-2	5/16-18	1.5	4	9/16	.084	.135
CL-61-SPS-2	CL-61-SSPS-2	3/8-16	1.5	5	5/8	.110	.186
CL-71-SPS-2	CL-71-SSPS-2	1/2-13	1.75	5.5	3/4	.151	.248
CL-81-SPS-2	—	5/8-11	2	8.5	1-1/16	.215	.310

DELRIN® PLUNGER NOSE, LIGHT FORCE (INCH)

PART NO.		A	END FORCE (LBS)		B	C	D DIA
STEEL	STAINLESS		INITIAL	FINAL			
CL-21-SPN-2	—	#8-32	0.5	1.5	7/16	.052	.070
CL-22-SPN-2	—	#8-36					
CL-31-SPN-2	—	#10-32	0.75	2.5	15/32	.065	.093
CL-43-SPN-2	—	1/4-20	1	3.5	17/32	.078	.119
CL-51-SPN-2	—	5/16-18	1.5	4	9/16	.084	.135
CL-61-SPN-2	—	3/8-16	1.5	5	5/8	.110	.186
CL-71-SPN-2	—	1/2-13	1.75	5.5	3/4	.151	.248
CL-81-SPN-2	—	5/8-11	2	8.5	1-1/16	.215	.310

STANDARD PLUNGER NOSE, HEAVY FORCE (INCH)

PART NO.		A	END FORCE (LBS)		B	C	D DIA
STEEL	STAINLESS		INITIAL	FINAL			
CL-21-SPS-1	CL-21-SSPS-1	#8-32	1.5	4.75	7/16	.052	.070
CL-22-SPS-1	CL-22-SSPS-1	#8-36					
CL-31-SPS-1	CL-31-SSPS-1	#10-32	1.75	6.25	15/32	.065	.093
CL-43-SPS-1	CL-43-SSPS-1	1/4-20	3	10.5	17/32	.078	.119
CL-51-SPS-1	CL-51-SSPS-1	5/16-18	3.75	15.5	9/16	.084	.135
CL-61-SPS-1	CL-61-SSPS-1	3/8-16	4.5	18.5	5/8	.110	.186
CL-71-SPS-1	CL-71-SSPS-1	1/2-13	5	28	3/4	.151	.248
CL-81-SPS-1	—	5/8-11	7	50	1-1/16	.215	.310

DELRIN® PLUNGER NOSE, HEAVY FORCE (INCH)

PART NO.		A	END FORCE (LBS)		B	C	D DIA
STEEL	STAINLESS		INITIAL	FINAL			
CL-21-SPN-1	—	#8-32	1.5	4.75	7/16	.052	.070
CL-22-SPN-1	—	#8-36					
CL-31-SPN-1	—	#10-32	1.75	6.25	15/32	.065	.093
CL-43-SPN-1	—	1/4-20	3	10.5	17/32	.078	.119
CL-51-SPN-1	—	5/16-18	3.75	15.5	9/16	.084	.135
CL-61-SPN-1	—	3/8-16	4.5	18.5	5/8	.110	.186
CL-71-SPN-1	—	1/2-13	5	28	3/4	.151	.248
CL-81-SPN-1	—	5/8-11	7	50	1-1/16	.215	.310

STANDARD PLUNGER NOSE, LIGHT FORCE (METRIC)

PART NO.		A	END FORCE (LBS)		B	C	D DIA
STEEL	STAINLESS		INITIAL	FINAL			
CLM-51-SPS-1	—	M5	.7	2.5	.47	.065	.093
CLM-61-SPS-1	—	M6	1	3.5	.53	.078	.119
CLM-81-SPS-1	—	M8	1.5	4	.56	.084	.135
CLM-101-SPS-1	—	M10	1.5	5	.62	.110	.186
CLM-121-SPS-1	—	M12	1.8	5.5	.75	.151	.248

DELRIN® PLUNGER NOSE, LIGHT FORCE (METRIC)

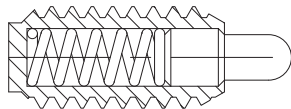
PART NO.		A	END FORCE (LBS)		B	C	D DIA
STEEL	STAINLESS		INITIAL	FINAL			
CLM-51-SPN-1	—	M5	.7	2.5	.47	.065	.093
CLM-61-SPN-1	—	M6	1	3.5	.53	.078	.119
CLM-81-SPN-1	—	M8	1.5	4	.56	.084	.135
CLM-101-SPN-1	—	M10	1.5	5	.62	.110	.186
CLM-121-SPN-1	—	M12	1.8	5.5	.75	.151	.248

STANDARD PLUNGER NOSE, HEAVY FORCE (METRIC)

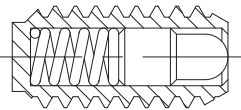
PART NO.		A	END FORCE (LBS)		B	C	D DIA
STEEL	STAINLESS		INITIAL	FINAL			
CLM-51-SPS-2	—	M5	1.8	6.3	.47	.065	.093
CLM-61-SPS-2	—	M6	3	10.5	.53	.078	.119
CLM-81-SPS-2	—	M8	3.8	15.5	.56	.084	.135
CLM-101-SPS-2	—	M10	4.5	18.5	.62	.110	.186
CLM-121-SPS-2	—	M12	5	28	.75	.151	.248

SHORT SPRING PLUNGERS WITH EXTENDED TRAVEL

STEEL – BODY: 12L14 STEEL, BLACK OXIDE FINISH. PLUNGER NOSE: 12L14 STEEL, CARBURIZED-HARDENED, BLACK OXIDE FINISH OR ZINC PLATED CLEAR CHROMATE (OR DELRIN®). SPRING: MUSIC WIRE
 STAINLESS STEEL – BODY: 300-SERIES STAINLESS.
 PLUNGER NOSE: 300-SERIES STAINLESS (OR DELRIN®). SPRING: 302 STAINLESS.



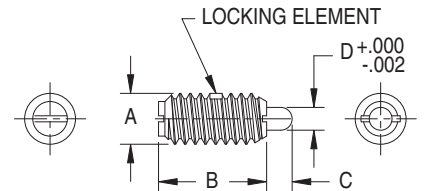
Nose Extended



Nose Retracted

These Spring Plungers have the body length of a Short Spring Plunger while providing the longer stroke of a standard Spring Plunger (spring force is somewhat reduced). This self-contained plunger-and-spring device is available in a wide range of sizes. Locking element holds the unit securely in place after installation. Install and/or adjust from either end (when using the slot at the plunger end, install with a Plunger Wrench to avoid over-compressing the spring).

Available in thread sizes from #8-32 to 5/8-11 (M5 to M12 in metric). Available in steel, with a hardened plunger nose, or stainless steel. Optionally available with a Delrin® nose to prevent marring. Note: Catalog photos are actual size.



STANDARD PLUNGER NOSE (INCH)

PART NO.		A	END FORCE (LBS)		B	C	D DIA
STEEL	STAINLESS		INITIAL	FINAL			
CL-25-SPS-1	CL-25-SSPS-1	#8-32	1.0	3.2	7/16	.093	.070
CL-26-SPS-1	CL-26-SSPS-1	#8-36					
CL-35-SPS-1	CL-35-SSPS-1	#10-32	1.2	4.2	15/32	.125	.093
CL-45-SPS-1	CL-45-SSPS-1	1/4-20	2.0	7.0	17/32	.187	.119
CL-55-SPS-1	CL-55-SSPS-1	5/16-18	2.5	10.5	9/16	.187	.135
CL-65-SPS-1	CL-65-SSPS-1	3/8-16	3.0	12.5	5/8	.187	.186
CL-75-SPS-1	CL-75-SSPS-1	1/2-13	3.5	19	3/4	.250	.248
CL-85-SPS-1	—	5/8-11	4.5	34	1-1/16	.312	.310

DELRIN® PLUNGER NOSE (INCH)

PART NO.		A	END FORCE (LBS)		B	C	D DIA
STEEL	STAINLESS		INITIAL	FINAL			
—	—	#8-32	1.0	3.2	7/16	.093	.070
—	—	#8-36					
CL-35-SPN-1	—	#10-32	1.2	4.2	15/32	.125	.093
CL-45-SPN-1	—	1/4-20	2.0	7.0	17/32	.187	.119
—	—	5/16-18	2.5	10.5	9/16	.187	.135
CL-65-SPN-1	—	3/8-16	3.0	12.5	5/8	.187	.186
—	—	1/2-13	3.5	19	3/4	.250	.248
—	—	5/8-11	4.5	34	1-1/16	.312	.310

STANDARD PLUNGER NOSE (METRIC)

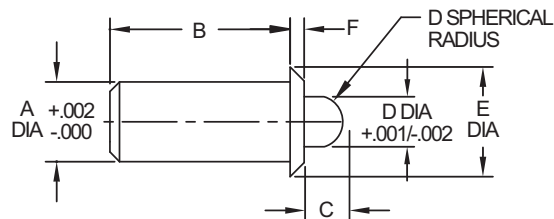
PART NO.		A	END FORCE (LBS)		B	C	D DIA
STEEL	STAINLESS		INITIAL	FINAL			
CLM-55-SPS-1	—	M5	1.2	4.2	.47	.125	.093
CLM-65-SPS-1	—	M6	2.0	7.0	.53	.187	.119
CLM-85-SPS-1	—	M8	2.5	10.5	.56	.187	.135
CLM-105-SPS-1	—	M10	3.0	12.5	.62	.187	.186
CLM-125-SPS-1	—	M12	3.5	19	.75	.250	.248

DELRIN® PLUNGER NOSE (METRIC)

PART NO.		A	END FORCE (LBS)		B	C	D DIA
STEEL	STAINLESS		INITIAL	FINAL			
—	—	M5	1.2	4.2	.47	.125	.093
CLM-65-SPN-1	—	M6	2.0	7.0	.53	.187	.119
CLM-85-SPN-1	—	M8	2.5	10.5	.56	.187	.135
—	—	M10	3.0	12.5	.62	.187	.186
—	—	M12	3.5	19	.75	.250	.248

PRESS-FIT SPRING PLUNGERS

STEEL – BODY: 12L14 STEEL, BLACK OXIDE FINISH. PLUNGER NOSE: 12L14 STEEL, CARBURIZED-HARDENED, BLACK OXIDE FINISH OR ZINC PLATED CLEAR CHROMATE (OR DELRIN®). SPRING: MUSIC WIRE.
 STAINLESS STEEL – BODY: 300-SERIES STAINLESS. PLUNGER NOSE: 300-SERIES STAINLESS (OR DELRIN®).
 SPRING: 302 STAINLESS



Simple, economical spring-loaded plunger ideal for installation in softer materials, such as aluminum, wood or plastic. Sturdy shoulder provides a fixed seating position and positively resists detent force (installation hole can be counterbored to recess the shoulder). Use when a threaded hole would be impractical and/or adjustment is not required. Choice of six sizes, each in light or heavy force. Available in steel, with a hardened plunger nose, or stainless steel. Optionally available with a Delrin® nose to prevent marring. Note: Catalog photos are actual size.

STANDARD PLUNGER NOSE, LIGHT FORCE

PART NO.		A DIA	END FORCE (LBS)		B	C	D	E DIA	F
STEEL	STAINLESS		INITIAL	FINAL					
CL-2-PSP-1	CL-2-PSPS-1	.125	.5	1	.252	.062	.070	.187	.032
CL-3-PSP-1	CL-3-PSPS-1	.188	.8	2.5	.405	.094	.121	.250	.035
CL-4-PSP-1	CL-4-PSPS-1	.250	1.5	3	.481	.125	.168	.312	.044
CL-5-PSP-1	CL-5-PSPS-1	.312	2	5	.643	.151	.186	.375	.045
CL-6-PSP-1	CL-6-PSPS-1	.375	2.5	7	.785	.187	.234	.500	.078
CL-8-PSP-1	CL-8-PSPS-1	.500	4	9	1.130	.250	.332	.688	.088

STANDARD PLUNGER NOSE, HEAVY FORCE

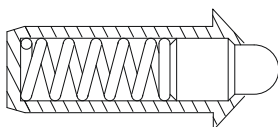
PART NO.		A DIA	END FORCE (LBS)		B	C	D	E DIA	F
STEEL	STAINLESS		INITIAL	FINAL					
CL-2-PSP-2	CL-2-PSPS-2	.125	1	2	.252	.062	.070	.187	.032
CL-3-PSP-2	CL-3-PSPS-2	.188	1.5	4.5	.405	.094	.121	.250	.035
CL-4-PSP-2	CL-4-PSPS-2	.250	2.5	6	.481	.125	.168	.312	.044
CL-5-PSP-2	CL-5-PSPS-2	.312	4	10	.643	.151	.186	.375	.045
CL-6-PSP-2	CL-6-PSPS-2	.375	5	14	.785	.187	.234	.500	.078
CL-8-PSP-2	CL-8-PSPS-2	.500	8	18	1.130	.250	.332	.688	.088

DELRIN® PLUNGER NOSE, LIGHT FORCE

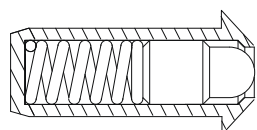
PART NO.		A DIA	END FORCE (LBS)		B	C	D	E DIA	F
STEEL	STAINLESS		INITIAL	FINAL					
CL-2-PSPN-1	CL-2-PSPSN-1	.125	.5	1	.252	.062	.070	.187	.032
CL-3-PSPN-1	CL-3-PSPSN-1	.188	.8	2.5	.405	.094	.121	.250	.035
CL-4-PSPN-1	CL-4-PSPSN-1	.250	1.5	3	.481	.125	.168	.312	.044
CL-5-PSPN-1	CL-5-PSPSN-1	.312	2	5	.643	.151	.186	.375	.045
CL-6-PSPN-1	CL-6-PSPSN-1	.375	2.5	7	.785	.187	.234	.500	.078
CL-8-PSPN-1	CL-8-PSPSN-1	.500	4	9	1.130	.250	.332	.688	.088

DELRIN® PLUNGER NOSE, HEAVY FORCE

PART NO.		A DIA	END FORCE (LBS)		B	C	D	E DIA	F
STEEL	STAINLESS		INITIAL	FINAL					
CL-2-PSPN-2	CL-2-PSPSN-2	.125	1	2	.252	.062	.070	.187	.032
CL-3-PSPN-2	CL-3-PSPSN-2	.188	1.5	4.5	.405	.094	.121	.250	.035
CL-4-PSPN-2	CL-4-PSPSN-2	.250	2.5	6	.481	.125	.168	.312	.044
CL-5-PSPN-2	CL-5-PSPSN-2	.312	4	10	.643	.151	.186	.375	.045
CL-6-PSPN-2	CL-6-PSPSN-2	.375	5	14	.785	.187	.234	.500	.078
CL-8-PSPN-2	CL-8-PSPSN-2	.500	8	18	1.130	.250	.332	.688	.088



Nose Extended



Nose Retracted

BALL PLUNGERS

TYPES



STANDARD, STEEL BALL

Self-contained ball-and-spring device available in many sizes and forces. Locking element holds the unit securely in place after installation. Install and/or adjust from either end.



STANDARD, DELRIN® BALL

Self-contained ball-and-spring device available in many sizes and forces. Locking element holds the unit securely in place after installation. Install and/or adjust from either end.



PRESS FIT

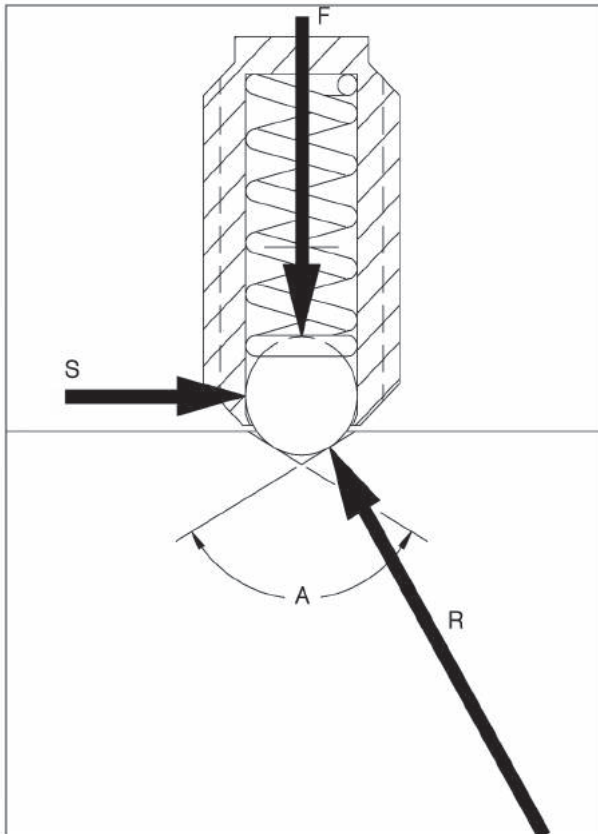
Simple, economical spring-loaded plunger ideal for installation in softer materials, such as aluminum, wood, or plastic. Sturdy shoulder provides a fixed seating position.



SELF-RETAINING

Due to their self-retaining design, these press-fit ball plungers can be securely installed in an ordinary drilled hole. The slotted end of the thermoplastic body expands to compensate for hole tolerances up to .008" oversize.

TECHNICAL INFORMATION

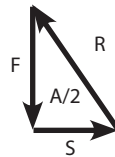


INSTALLATION:

To obtain full locking torque, countersink the installation hole to avoid cutting the locking element. Countersink at a 90-100° angle to a diameter 1/32" larger than the major thread diameter. Then, as you screw the plunger into its hole, the locking element will be compressed, not cut. **INFO+:** See page 171 for plunger wrenches.

BREAKAWAY FORCE:

To calculate the side force needed to slide a ball plunger out of its detent hole, refer to the free-body force diagram to the left. In the diagram, S= Side force, F= End force (spring force), R= Reaction force, and A= Countersink angle. The reaction force (R) is perpendicular to the contact surface. Solving for side force (S):



$$S = \frac{F}{\tan(A/2)}$$

End force (F) depends on how far the spring will be compressed, which depends on how far away from the sliding surface the ball plunger is installed. Maximum spring compression and end force occur as the ball breaks out of its hole.

BREAKAWAY-FORCE EXAMPLE:

A CL-40-BP-3 ball plunger (1/4-20) exerts an initial force of 4 lbs, a half-way force of 8 lbs, and a final force of 12 lbs. With a 90° countersink angle and half-way compression:

$$S = \frac{8 \text{ lbs}}{\tan(90^\circ/2)} = 8 \text{ lbs}$$

$$S = \frac{8 \text{ lbs}}{\tan(120^\circ/2)} = 4.6 \text{ lbs}$$

BALL PLUNGERS

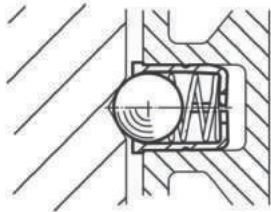
SELECTION CHART:

STYLE	4-48	5-40	M3	6-40	8-32	M4	8-36	10-32	M6	1/4-20	M8	5/16-18	M10	3/8-16	M12	1/2-13	M16	5/8-11
Ball Plunger	X	X	X	X	X	X	X	X	X	X	X	X	X	X	X	X	X	X
Ball Plunger, Stainless Steel	X	X	X	X	X	X	X	X	X	X	X	X	X	X	X	X	X	X
Ball Plunger, Delrin® Body										X		X		X				
Ball Plunger, Delrin® Ball	X	X	X	X	X	X	X	X	X	X	X	X	X	X	X	X	X	X
Ball Plunger, Stainless Steel, Delrin® Ball	X	X	X	X	X	X	X	X	X	X	X	X	X	X	X	X	X	X
Ball Plunger, Delrin® Body, Delrin® Ball										X		X		X				
Press Fit Ball Plunger					1/8"			3/16"		1/4"		5/16"		3/8"		1/2"		
Press Fit Ball Plunger, Stainless Steel Ball					1/8"			3/16"		1/4"		5/16"		3/8"		1/2"		
Press Fit Ball Plunger, Delrin® Ball					1/8"			3/16"		1/4"		5/16"		3/8"		1/2"		
Press Fit Ball Plunger, Stainless Steel, Delrin® Ball					1/8"			3/16"		1/4"		5/16"		3/8"		1/2"		
Self-Retaining Stainless Steel Ball								3/16"		1/4"				3/8"		1/2"		

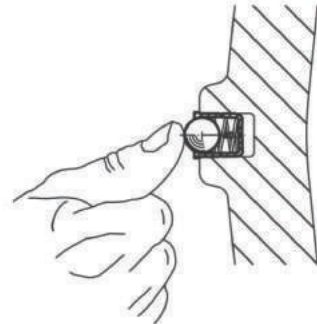
New Self-Retaining Ball Plungers

The slotted end of the thermoplastic body expands to compensate for hole tolerances up to .008".

Due to their self-retaining design, these press-fit ball plungers can be securely installed in an ordinary drilled hole.



These plungers can be installed in a plain hole, with the shoulder exposed, or slightly counterbored for flush installation.

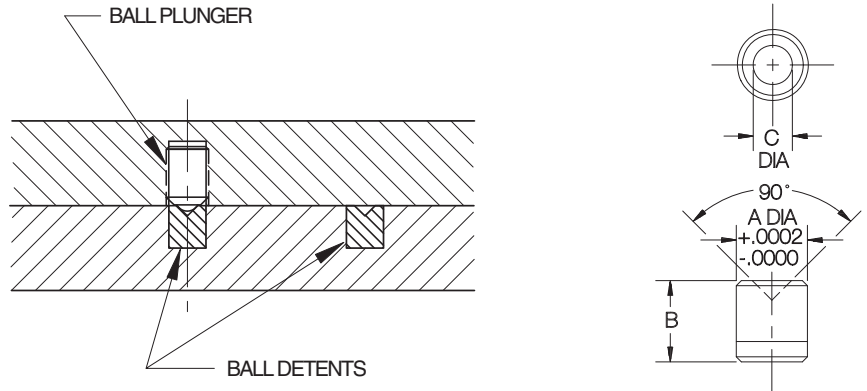


Self-Retaining Ball Plungers can often be installed by hand, due to the body's flexible design.

See Page 177

BALL DETENTS

440C STAINLESS STEEL, HEAT TREATED

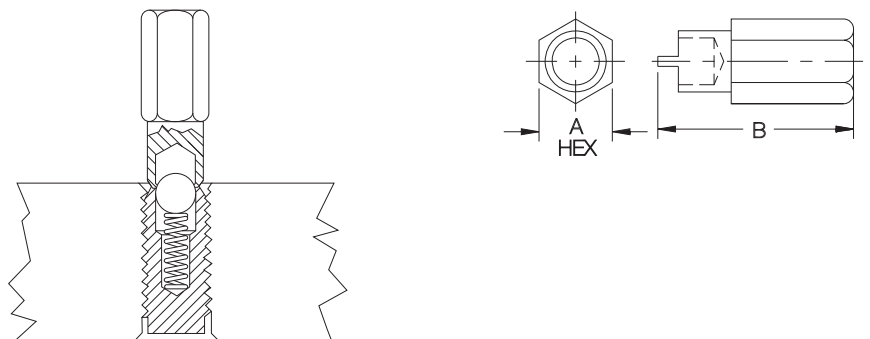


Press-in receptacle that provides a perfect mating hole for a Ball Plunger. Hole has a 90° point for smooth detent action and reliable retention. These hardened Ball Detents resist side loads to prevent wear to the parent material. Available in sizes to fit all Ball Plungers, from #4-48 to 5/8-11 (M4 to M12 in metric).

PART NO.	FOR BALL PLUNGER	A DIA	B	C DIA
CL-1-BD	#4-48, #5-40, M3	.1075	1/8	.056
CL-2-BD	#6-40	.1175	1/8	.061
CL-3-BD	#8-32, #8-36, #10-32, M4, M5	.1614	3/16	.082
CL-4-BD	1/4-20, M6	.2034	1/4	.111
CL-5-BD	5/16-18, M8	.2659	5/16	.139
CL-6-BD	3/8-16, M10	.3284	3/8	.164
CL-8-BD	1/2-13, M12	.4378	1/2	.241
CL-10-BD	5/8-11, M16	.5472	5/8	.330

PLUNGER WRENCHES

STEEL



Handy tool to speed up installation of Ball Plungers or Spring Plungers. Much better than using a screwdriver on the ball/nose end, because the clearance hole in the center prevents over-compressing the plunger's internal spring. Available in sizes to fit all Ball Plungers and Spring Plungers, from #4-48 to 1"-8 (M4 to M12 in metric).

PART NO.	FITS THESE PLUNGER SIZES	A	B
CL-2-SPW	#4-48, #5-40, #6-32, #6-40	1/4	7/8
CL-4-SPW	#8-32, #8-36, M4	1/4	7/8
CL-6-SPW	#10-32, M5	1/4	7/8
CL-8-SPW	1/4-20, 1/4-28, M6	1/4	1
CL-10-SPW	5/16-18, M8	3/8	1
CL-12-SPW	3/8-16, M10	3/8	1
CL-14-SPW	1/2-13, M12	1/2	1
CL-16-SPW	5/8-11	5/8	1-1/8
CL-18-SPW	3/4-10	3/4	1-1/8
CL-20-SPW	1"-8	7/8	1-3/8

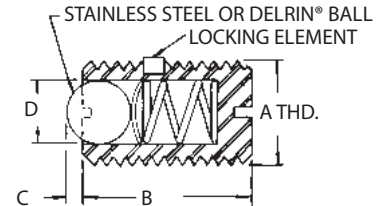
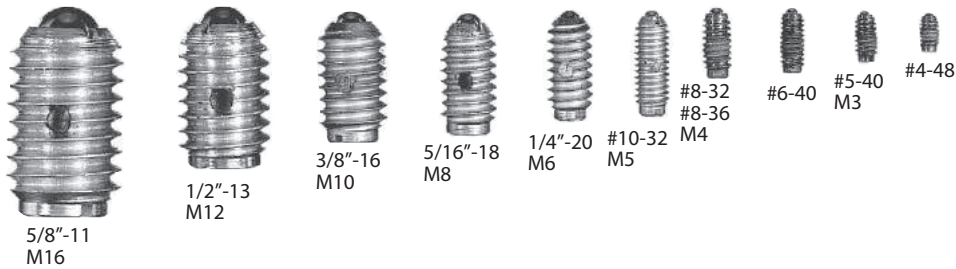
BALL PLUNGERS

STEEL – BODY: 12L14 STEEL, ZINC PLATED OR BLACK OXIDE FINISH.

BALL: 440C STAINLESS. SPRING: MUSIC WIRE

STAINLESS STEEL – BODY: 300-SERIES STAINLESS. BALL: 440C STAINLESS. SPRING: 302 STAINLESS.

DELTRIN® – BODY: DELTRIN® 500, WHITE, BLACK, OR YELLOW. BALL: 440C STAINLESS. SPRING: 302 STAINLESS



STANDARD BALL (INCH)

PART NO.			A	END FORCE (LBS)		B	C	D DIA	COLOR CODE
STEEL BODY	STAINLESS BODY	DELTRIN® BODY		INITIAL	FINAL				
CL-5-BP-1	CL-5-SBP-1	—	#4-48	1/8	1/2	3/16	.020	.062	PLAIN
CL-10-BP-1	CL-10-SBP-1	—	#5-40	1/4	3/4	1/4			
CL-15-BP-1	CL-15-SBP-1	—	#6-40	1/2	1	5/16			
CL-22-BP-1	CL-22-SBP-1	—	#8-32	1/2	1-1/4	11/32	.025	.093	
CL-20-BP-1	CL-20-SBP-1	—	#8-36						
CL-30-BP-1	CL-30-SBP-1	—	#10-32	1/2	1-1/2	33/64	.025	.093	
CL-30-BP-2	CL-30-SBP-2	—		1-1/2	3				
CL-30-BP-3	CL-30-SBP-3	—		2	5				
CL-40-BP-1	CL-40-SBP-1	CL-40-DBP-1-LL	1/4-20	2	4	17/32	.035	.125	
CL-40-BP-2	CL-40-SBP-2	CL-40-DBP-2-LL		3	7				
CL-40-BP-3	CL-40-SBP-3	CL-40-DBP-3-LL		4	12				
CL-50-BP-1	CL-50-SBP-1	CL-50-DBP-1-LL	5/16-18	2	4-1/2	37/64	.040	.156	
CL-50-BP-2	CL-50-SBP-2	CL-50-DBP-2-LL		4	9				
CL-50-BP-3	CL-50-SBP-3	CL-50-DBP-3-LL		6	17				
CL-60-BP-1	CL-60-SBP-1	CL-60-DBP-1-LL	3/8-16	2-1/2	5	5/8	.048	.187	
CL-60-BP-2	CL-60-SBP-2	CL-60-DBP-2-LL		5	10				
CL-60-BP-3	CL-60-SBP-3	CL-60-DBP-3-LL		6	21				
CL-70-BP-1	CL-70-SBP-1	—	1/2-13	3	6	3/4	.072	.281	
CL-70-BP-2	CL-70-SBP-2	—		6	12				
CL-70-BP-3	CL-70-SBP-3	—		6	30				
CL-80-BP-1	CL-80-SBP-1	—	5/8-11	4-1/2	9	63/64	.096	.375	
CL-80-BP-2	CL-80-SBP-2	—		9	18				
CL-80-BP-3	CL-80-SBP-3	—		7	50				

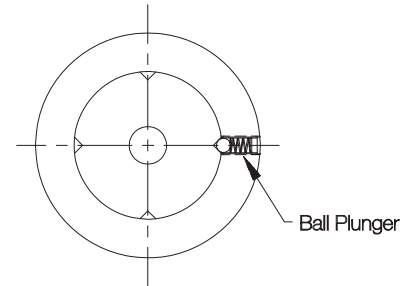
STANDARD BALL (METRIC)

—	CLM-3-SBP-1	—	M3	.12	.5	.19	.020	.062	PLAIN
CLM-4-BP-1	CLM-4-SBP-1	—	M4	0.6	1.1	.34	.024	.094	PLAIN
CLM-5-BP-2	CLM-5-SBP-2	—	M5	.5	1.5	.51	.024	.094	PLAIN
CLM-5-BP-1	CLM-5-SBP-1	—		1.5	2.9				GREEN
CLM-5-BP-3	CLM-5-SBP-3	—		2	4.9				YELLOW
CLM-6-BP-2	CLM-6-SBP-2	—	M6	2	4	.53	.035	.125	PLAIN
CLM-6-BP-1	CLM-6-SBP-1	—		2.9	7				GREEN
CLM-6-BP-3	CLM-6-SBP-3	—		4	12				YELLOW
CLM-8-BP-2	CLM-8-SBP-2	—	M8	2.2	4.4	.58	.039	.156	PLAIN
CLM-8-BP-1	CLM-8-SBP-1	—		3.9	8.8				GREEN
CLM-8-BP-3	CLM-8-SBP-3	—		6.1	17.1				YELLOW
CLM-10-BP-2	CLM-10-SBP-2	—	M10	2.5	5.0	.63	.047	.187	PLAIN
CLM-10-BP-1	CLM-10-SBP-1	—		5.0	9.9				GREEN
CLM-10-BP-3	CLM-10-SBP-3	—		6.1	20.9				YELLOW
CLM-12-BP-2	CLM-12-SBP-2	—	M12	3.0	6.1	.75	.079	.281	PLAIN
CLM-12-BP-1	CLM-12-SBP-1	—		6.1	12.1				GREEN
CLM-12-BP-3	CLM-12-SBP-3	—		6.1	29.7				YELLOW
CLM-16-BP-2	CLM-16-SBP-2	—	M16	4.5	9	.98	.098	.375	PLAIN
CLM-16-BP-1	CLM-16-SBP-1	—		9	18				GREEN
CLM-16-BP-3	CLM-16-SBP-3	—		7	50				YELLOW

BALL PLUNGERS

STAINLESS STEEL – BODY: 300-SERIES STAINLESS. BALL: WHITE DELRIN® 500. SPRING: 302 STAINLESS.
 DELRIN® – BODY: DELRIN® 500, BLACK, OR YELLOW. BALL: WHITE DELRIN® 500. SPRING: 302 STAINLESS.

Self-contained ball-and-spring device available in many sizes and forces. Available in thread sizes from #4-48 to 5/8-11 (M3 to M16 in metric). Choice of light, medium, or heavy force in most thread sizes. Available in steel, stainless steel or Delrin®, all with a 440C stainless steel ball (optionally available with a Delrin® ball). Locking element (steel and stainless only) holds the unit securely in place after installation. Install and/or adjust from either end (when using the slot at the ball end, install with a Plunger Wrench to avoid over-compressing the spring). The three smallest sizes, and all Delrin® sizes, have no slot at the ball end. Note: Catalog photos are actual size.



4

DELRIN® BALL (INCH)

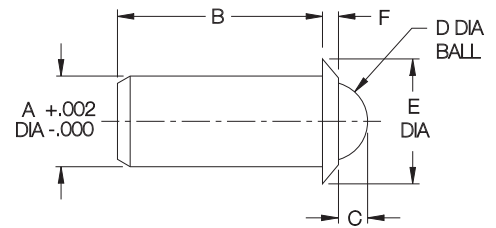
PART NO.		A	END FORCE (LBS)		B	C	D DIA	COLOR CODE
STAINLESS BODY	DELRIN® BODY		INITIAL	FINAL				
CL-5-SBPN-1	—	#4-48	1/8	1/2	3/16	.020	.062	PLAIN
CL-10-SBPN-1	—	#5-40	1/4	3/4	1/4			
CL-15-SBPN-1	—	#6-40	1/2	1	5/16	.023	.078	
CL-22-SBPN-1	—	#8-32	1/2	1-1/4	11/32	.025	.093	
CL-20-SBPN-1	—	#8-36						
CL-30-SBPN-1	—	#10-32	1/2	1-1/2	33/64	.025	.093	
CL-30-SBPN-2	—		1-1/2	3				BLACK
CL-30-SBPN-3	—		2	5				YELLOW
CL-40-SBPN-1	CL-40-DBPN-1-LL	1/4-20	2	4	17/32	.035	.125	PLAIN
CL-40-SBPN-2	CL-40-DBPN-2-LL		3	7				BLACK
CL-40-SBPN-3	—		4	12				YELLOW
CL-50-SBPN-1	CL-50-DBPN-1-LL	5/16-18	2	4-1/2	37/64	.040	.156	PLAIN
CL-50-SBPN-2	CL-50-DBPN-2-LL		4	9				BLACK
CL-50-SBPN-3	—		6	17				YELLOW
CL-60-SBPN-1	CL-60-DBPN-1-LL	3/8-16	2-1/2	5	5/8	.048	.187	PLAIN
CL-60-SBPN-2	CL-60-DBPN-2-LL		5	10				BLACK
CL-60-SBPN-3	—		6	21				YELLOW
CL-70-SBPN-1	—	1/2-13	3	6	3/4	.072	.281	PLAIN
CL-70-SBPN-2	—		6	12				BLACK
CL-70-SBPN-3	—		6	30				YELLOW
CL-80-SBPN-1	—	5/8-11	4-1/2	9	63/64	.096	.375	PLAIN
CL-80-SBPN-2	—		9	18				BLACK
CL-80-SBPN-3	—		7	50				YELLOW

DELRIN® BALL (METRIC)

CLM-3-SBPN-1	—	M3	.12	.5	.19	.020	.062	PLAIN
CLM-4-SBPN-1	—	M4	.9	2.2	.34	.024	.094	PLAIN
CLM-5-SBPN-2	—	M5	.5	1.5	.51	.024	.094	PLAIN
CLM-5-SBPN-1	—		1.5	2.9				GREEN
CLM-6-SBPN-2	—	M6	2	4	.53	.035	.125	PLAIN
CLM-6-SBPN-1	—		2.9	7				GREEN
CLM-8-SBPN-2	—	M8	2.2	4.4	.58	.039	.156	PLAIN
CLM-8-SBPN-1	—		3.9	9				GREEN
CLM-10-SBPN-2	—	M10	2.5	5	.63	.047	.187	PLAIN
CLM-10-SBPN-1	—		5	10				GREEN
CLM-12-SBPN-2	—	M12	3	6	.75	.079	.281	PLAIN
CLM-12-SBPN-1	—		6	12				GREEN
CLM-16-SBPN-2	—	M16	4.5	9	.98	.098	.375	PLAIN
CLM-16-SBPN-1	—		9	18				GREEN

PRESS-FIT BALL PLUNGERS

STEEL – BODY: 12L14 STEEL, BLACK OXIDE FINISH. BALL: 440C STAINLESS (OR DELRIN®). SPRING: MUSIC WIRE
 STAINLESS STEEL – BODY: 300-SERIES STAINLESS. BALL: 440C STAINLESS (OR DELRIN®). SPRING: 302 STAINLESS



4

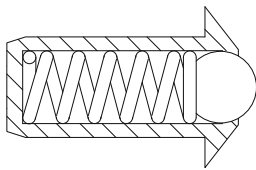
Simple, economical ball plunger ideal for installation in softer materials, such as aluminum, wood or plastic. Sturdy shoulder provides a fixed seating position and positively resists detent force (installation hole can be counterbored to recess the shoulder). Use when a threaded hole would be impractical and/or adjustment is not required. Available in steel or stainless steel. Choice of six sizes, each in light or heavy force, with a stainless steel or Delrin® ball. Note: Catalog photos are actual size.

STANDARD BALL, LIGHT FORCE

PART NO.		A DIA	END FORCE (LBS)		B	C	D DIA	E DIA	F
STEEL	STAINLESS		INITIAL	FINAL					
CL-2-PBP-1	CL-2-PBPS-1	.125	.5	1	.252	.035	.093	.187	.032
CL-3-PBP-1	CL-3-PBPS-1	.188	1	2.5	.405	.058	.156	.250	.035
CL-4-PBP-1	CL-4-PBPS-1	.250	1.5	3.5	.481	.070	.188	.312	.044
CL-5-PBP-1	CL-5-PBPS-1	.312	2	5	.643	.090	.250	.375	.045
CL-6-PBP-1	CL-6-PBPS-1	.375	2.5	7	.785	.110	.312	.500	.078
CL-8-PBP-1	CL-8-PBPS-1	.500	4	9	1.130	.161	.438	.688	.088

STANDARD BALL, HEAVY FORCE

PART NO.		A DIA	END FORCE (LBS)		B	C	D DIA	E DIA	F
STEEL	STAINLESS		INITIAL	FINAL					
CL-2-PBP-2	CL-2-PBPS-2	.125	.75	2.5	.252	.035	.093	.187	.032
CL-3-PBP-2	CL-3-PBPS-2	.188	2	5	.405	.058	.156	.250	.035
CL-4-PBP-2	CL-4-PBPS-2	.250	3	7	.481	.070	.188	.312	.044
CL-5-PBP-2	CL-5-PBPS-2	.312	4	10	.643	.090	.250	.375	.045
CL-6-PBP-2	CL-6-PBPS-2	.375	5	14	.785	.110	.312	.500	.078
CL-8-PBP-2	CL-8-PBPS-2	.500	8	18	1.130	.161	.438	.688	.088

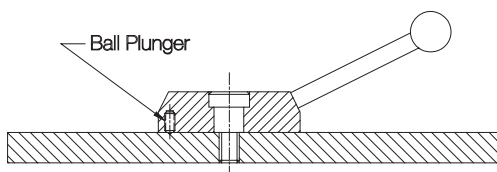


DELRIN® BALL, LIGHT FORCE

PART NO.		A DIA	END FORCE (LBS)		B	C	D DIA	E DIA	F
STEEL	STAINLESS		INITIAL	FINAL					
CL-2-PBPN-1	CL-2-PBPSN-1	.125	.5	1	.252	.035	.093	.187	.032
CL-3-PBPN-1	CL-3-PBPSN-1	.188	1	2.5	.405	.058	.156	.250	.035
CL-4-PBPN-1	CL-4-PBPSN-1	.250	1.5	3.5	.481	.070	.188	.312	.044
CL-5-PBPN-1	CL-5-PBPSN-1	.312	2	5	.643	.090	.250	.375	.045
CL-6-PBPN-1	CL-6-PBPSN-1	.375	2.5	7	.785	.110	.312	.500	.078
CL-8-PBPN-1	CL-8-PBPSN-1	.500	4	9	1.130	.161	.438	.688	.088

DELRIN® BALL, HEAVY FORCE

PART NO.		A DIA	END FORCE (LBS)		B	C	D DIA	E DIA	F
STEEL	STAINLESS		INITIAL	FINAL					
CL-2-PBPN-2	CL-2-PBPSN-2	.125	.75	2.5	.252	.035	.093	.187	.032
CL-3-PBPN-2	CL-3-PBPSN-2	.188	2	5	.405	.058	.156	.250	.035
CL-4-PBPN-2	CL-4-PBPSN-2	.250	3	7	.481	.070	.188	.312	.044
CL-5-PBPN-2	CL-5-PBPSN-2	.312	4	10	.643	.090	.250	.375	.045
CL-6-PBPN-2	CL-6-PBPSN-2	.375	5	14	.785	.110	.312	.500	.078
CL-8-PBPN-2	CL-8-PBPSN-2	.500	8	18	1.130	.161	.438	.688	.088

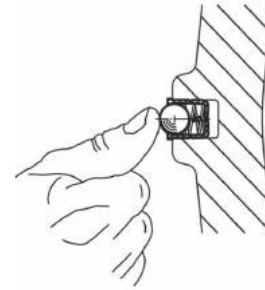


SELF-RETAINING BALL PLUNGERS

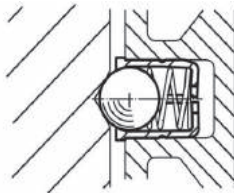
BODY: BLACK THERMOPLASTIC (POM)
 BALL: STAINLESS STEEL, HARDENED
 SPRING: STAINLESS STEEL



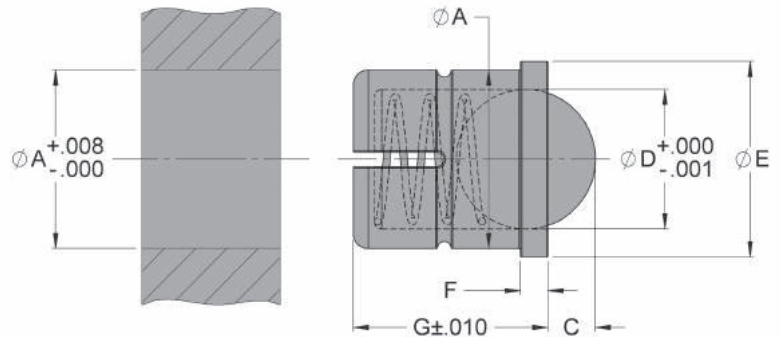
Due to their self-retaining design, these press-fit ball plungers can be securely installed in an ordinary drilled hole. The slotted end of the thermoplastic body expands to compensate for hole tolerances up to .008" oversize. Sturdy provides a fixed seating position and positively resists detent force. Installation hole can be counterbored to recess the shoulder. Note: catalog photos are actual size.



Self-Retaining Ball Plungers can often be installed by hand, due to the body's flexible design.



These plungers can be installed in a plain hole, with the shoulder exposed, or slightly counterbored for flush installation.

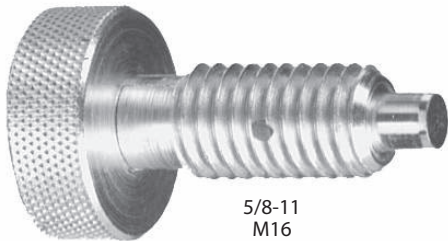


INCH

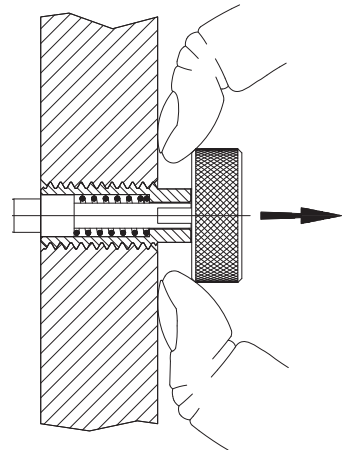
PART NO.	A DIA	END FORCE (LBS)		C	D DIA	E DIA	F	G
		INITIAL	FINAL					
CL-3-SRBP-1	.188	1.3	2.1	.039	.157	.220	.039	.236
CL-4-SRBP-1	.250	1.4	2.8	.059	.197	.276	.039	.276
CL-6-SRBP-1	.375	2.7	5.0	.091	.315	.433	.059	.531
CL-8-SRBP-1	.500	3.1	5.6	.126	.394	.551	.059	.630

HAND-RETRACTABLE PLUNGERS

STEEL: 12L14 BODY, 12L14 PLUNGER CARBURIZED-HARDENED (OR DELRIN®, 17-7PH SPRING.
ALL STEEL COMPONENTS ZINC PLATED CLEAR CHROMATE.
STAINLESS STEEL: 300 SERIES

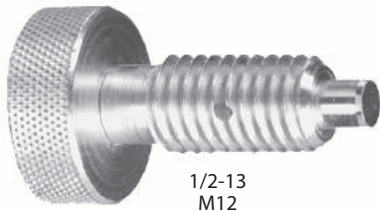


Spring-loaded plunger that locks in retracted position. To lock, pull knurled knob back and turn 90°. Standard plunger has a slight taper on plunger tip for easy alignment. Also available with a radiused Delrin® plunger (slightly larger diameter and lighter spring force). Available in steel or stainless steel. Note: Catalog photos are actual size.

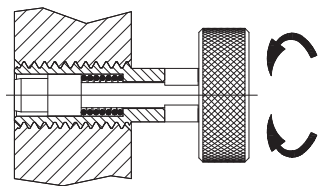


Pull knob to retract...

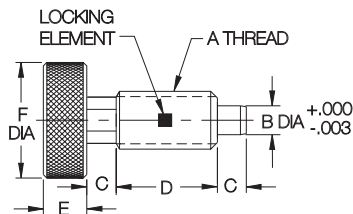
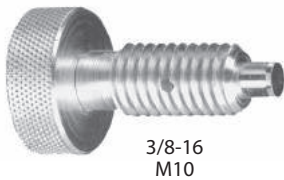
4



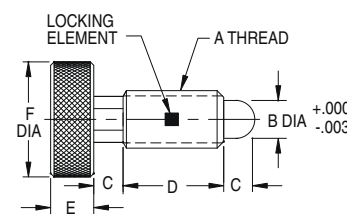
Knurled Head (Locking Type)



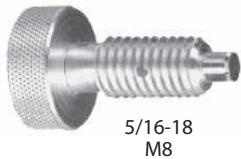
...then turn 90° in either direction to lock.



Standard Plunger



Radiused Delrin® Plunger



KNURLED HEAD — STEEL (INCH)

PART NO. STANDARD PLUNGER	PART NO. RADIUSED DELRIN PLUNGER	A	STANDARD PLUNGER				RADIUSED DELRIN® PLUNGER				C	D	E	F DIA
			END FORCE (LBS)		B DIA		END FORCE (LBS)		B DIA					
			INITIAL	FINAL	NOMINAL	ACTUAL	INITIAL	FINAL	NOMINAL	ACTUAL				
CL-3-HRP	—	#10-32	1	3.5	7/64	.105	—	—	—	—	3/32	13/32	3/16	3/8
CL-4-HRP	CL-4-HRPN	1/4-20	1	5	1/8	.125	.5	2.5	5/32	.145	1/8	1/2	1/4	1/2
CL-5-HRP	CL-5-HRPN	5/16-18	1.5	6	5/32	.156	.7	3	3/16	.180	3/16	5/8	9/32	5/8
CL-6-HRP	CL-6-HRPN	3/8-16	1.5	8	3/16	.187	.7	4	7/32	.217	7/32	3/4	5/16	3/4
CL-8-HRP	CL-8-HRPN	1/2-13	2.5	10	1/4	.250	1.2	5	5/16	.311	1/4	7/8	3/8	1
CL-10-HRP	CL-10-HRPN	5/8-11	5	10	5/16	.312	3	6	3/8	.374	5/16	1	3/8	1-1/8

KNURLED HEAD — STAINLESS (INCH)

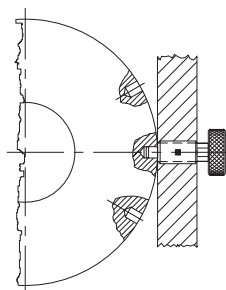
CL-3-HRP-S	—	#10-32	1	3.5	7/64	.105	—	—	—	—	3/32	13/32	3/16	3/8
CL-4-HRP-S	CL-4-HRPN-S	1/4-20	1	5	1/8	.125	.5	2.5	5/32	.145	1/8	1/2	1/4	1/2
CL-5-HRP-S	CL-5-HRPN-S	5/16-18	1.5	6	5/32	.156	.7	3	3/16	.180	3/16	5/8	9/32	5/8
CL-6-HRP-S	CL-6-HRPN-S	3/8-16	1.5	8	3/16	.187	.7	4	7/32	.217	7/32	3/4	5/16	3/4
CL-8-HRP-S	CL-8-HRPN-S	1/2-13	2.5	10	1/4	.250	1.2	5	5/16	.311	1/4	7/8	3/8	1
CL-10-HRP-S	CL-10-HRPN-S	5/8-11	5	10	5/16	.312	3	6	3/8	.374	5/16	1	3/8	1-1/8

KNURLED HEAD — STEEL (METRIC)

CLM-6-HRP	—	M6	1	5	3mm	.118	—	—	—	—	1/8	1/2	1/4	1/2
CLM-8-HRP	—	M8	1.5	6	4mm	.157	—	—	—	—	3/16	5/8	9/32	5/8
CLM-10-HRP	—	M10	1.5	8	5mm	.197	—	—	—	—	7/32	3/4	5/16	3/4
CLM-12-HRP	—	M12	2.5	10	6mm	.236	—	—	—	—	1/4	7/8	3/8	1
CLM-16-HRP	—	M16	5	10	8mm	.315	—	—	—	—	5/16	1	3/8	1-1/8

KNURLED HEAD — STAINLESS (METRIC)

CLM-6-HRP-S	—	M6	1	5	3mm	.118	—	—	—	—	1/8	1/2	1/4	
CLM-8-HRP-S	—	M8	1.5	6	4mm	.157	—	—	—	—	3/16	5/8	9/32	
CLM-10-HRP-S	—	M10	1.5	8	5mm	.197	—	—	—	—	7/32	3/4	5/16	
CLM-12-HRP-S	—	M12	2.5	10	6mm	.236	—	—	—	—	1/4	7/8	3/8	
CLM-16-HRP-S	—	M16	5	10	8mm	.315	—	—	—	—	5/16	1	3/8	



HAND-RETRACTABLE PLUNGERS

STEEL: 12L14 BODY, 12L14 PLUNGER CARBURIZED-HARDENED, 17-7PH SPRING.
ALL STEEL COMPONENTS ZINC PLATED CLEAR CHROMATE.
STAINLESS STEEL: 300 SERIES



5/8-11



1/2-13
M12



3/8-16
M10



5/16-18
M8



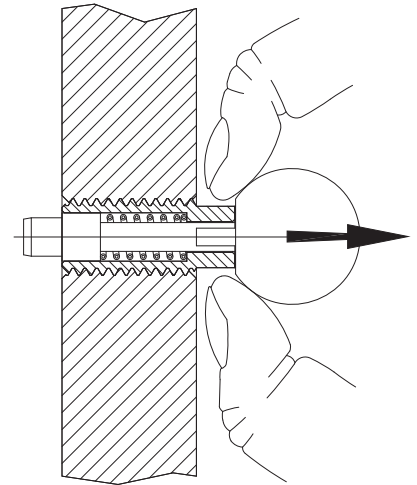
1/4-20
M6



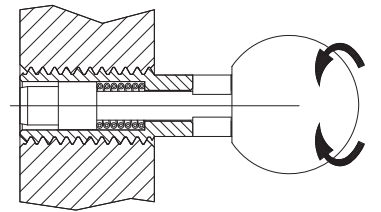
#10-32

Threaded Stud for Knob Handle (Locking Type)

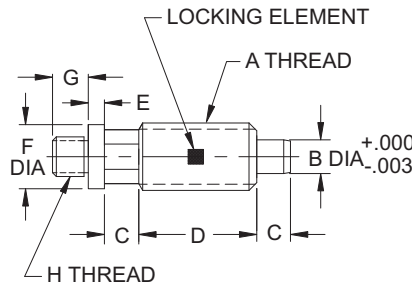
Spring-loaded plunger that locks in retracted position. To lock, pull knob back and turn 90°. Slight taper on plunger tip for easy alignment. Available in steel or stainless steel. The threaded-stud version shown here accepts virtually any type of knob handle (**INFO+**: order separately — available in steel, stainless steel, and several different plastics, see pages 152-159). Knob handles can be permanently secured with thread-locking adhesive if desired. Note: Catalog photos are actual size.



Pull knob to retract...



... then turn 90° in either direction to lock.



THREADED STUD FOR KNOB HANDLE — STEEL (INCH)

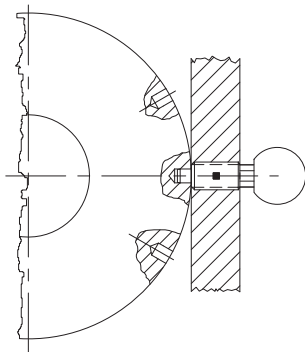
PART NO.	A	END FORCE (LBS)		B DIA		C	D	E	F DIA	G	H
		INITIAL	FINAL	NOMINAL	ACTUAL						
CL-3-HRPT	#10-32	1	3	—	.105	3/32	13/32	5/64	5/16	15/64	#10-32
CL-4-HRPT	1/4-20	1	5	1/8	.125	1/8	1/2	3/32	5/16	15/64	#10-32
CL-5-HRPT	5/16-18	1.5	6	5/32	.156	3/16	5/8	3/32	5/16	11/32	1/4-20
CL-6-HRPT	3/8-16	1.5	8	3/16	.187	7/32	3/4	1/8	3/8	13/32	5/16-18
CL-8-HRPT	1/2-13	2.5	10	1/4	.250	1/4	7/8	1/8	1/2	7/16	3/8-16
CL-10-HRPT	5/8-11	5	10	5/16	.312	5/16	1	5/32	5/8	1/2	1/2-13

THREADED STUD FOR KNOB HANDLE — STAINLESS STEEL (INCH)

CL-3-HRPT-S	#10-32	1	3.5	7/64	.105	3/32	13/32	5/64	5/16	15/64	#10-32
CL-4-HRPT-S	1/4-20	1	5	1/8	.125	1/8	1/2	3/32	5/16	15/64	#10-32
CL-5-HRPT-S	5/16-18	1.5	6	5/32	.156	3/16	5/8	3/32	5/16	11/32	1/4-20
CL-6-HRPT-S	3/8-16	1.5	8	3/16	.187	7/32	3/4	1/8	3/8	13/32	5/16-18
CL-8-HRPT-S	1/2-13	2.5	10	1/4	.250	1/4	7/8	1/8	1/2	7/16	3/8-16
CL-10-HRPT-S	5/8-11	5	10	5/16	.312	5/16	1	5/32	5/8	1/2	1/2-13

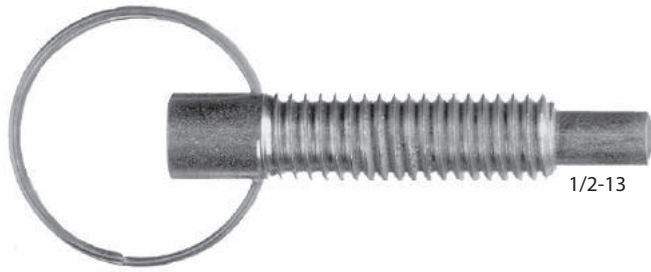
THREADED STUD FOR KNOB HANDLE — STEEL (METRIC)

CLM-6-HRPT	M6	1	5	3mm	.1181	1/8	1/2	3/32	5/16	15/64	#10-32
CLM-8-HRPT	M8	1.5	6	4mm	.1575	3/16	5/8	3/32	5/16	11/32	1/4-20
CLM-10-HRPT	M10	1.5	8	5mm	.1969	7/32	3/4	1/8	3/8	13/32	5/16-18
CLM-12-HRPT	M12	2.5	10	6mm	.2362	1/4	7/8	1/8	1/2	7/16	3/8-16

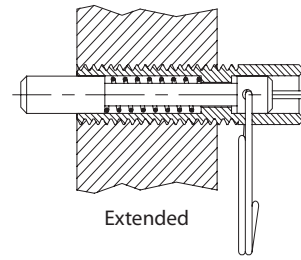


HAND-RETRACTABLE PLUNGERS

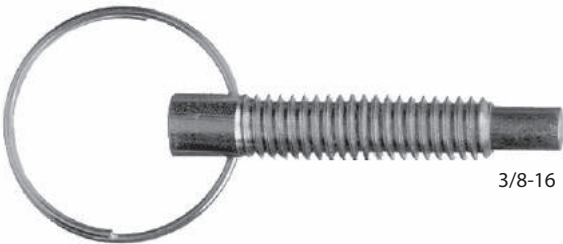
STEEL: 12L14 BODY, 12L14 PLUNGER CARBURIZED-HARDENED, 17-7PH SPRING
 ALL STEEL COMPONENTS ZINC PLATED CLEAR CHROMATE
 STAINLESS STEEL: 300 SERIES



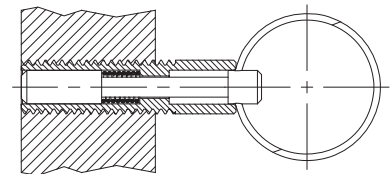
1/2-13



Extended



3/8-16



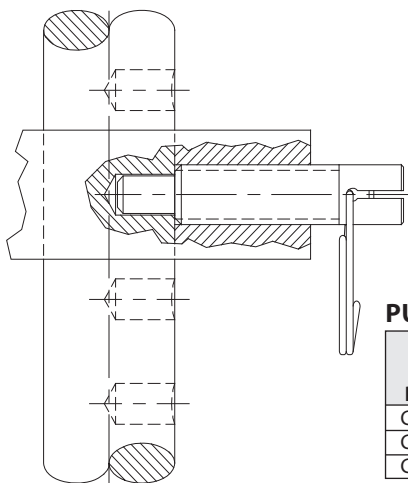
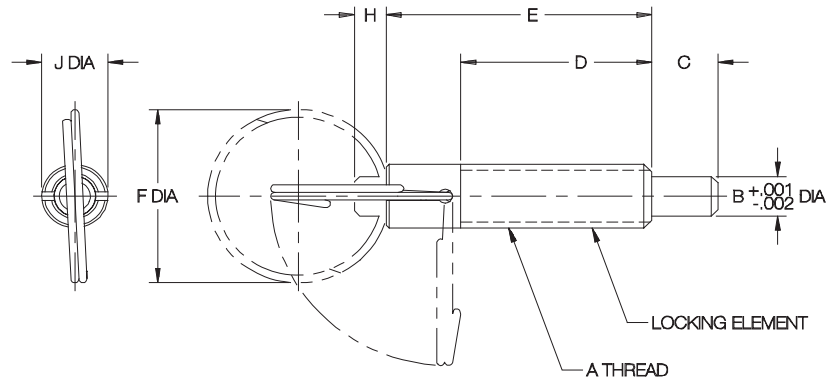
Retracted

Pull Ring (Locking Type)

Spring-loaded plunger that can be withdrawn completely into the body and locked in retracted position. Comfortable pull ring allows quick actuation, yet stays out of the way when not in use. Note: Catalog photos are actual size.



1/4-20



PULL RING, LOCKING TYPE — STEEL (INCH)

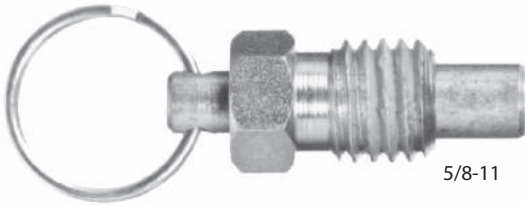
PART NO.	A	END FORCE (LBS)		B DIA	C	D	E	F DIA	H	J DIA
		INITIAL	FINAL							
CL-4-PHRP	1/4-20	1	2.5	.156	1/4	13/16	1-1/8	1	7/64	1/4
CL-6-PHRP	3/8-16	2	4	.250	3/8	1-1/4	1-11/16	1-1/4	3/16	3/8
CL-8-PHRP	1/2-13	2.5	5	.312	1/2	1-7/16	2	1-3/8	1/4	1/2

PULL RING, LOCKING TYPE — STAINLESS STEEL (INCH)

PART NO.	A	END FORCE (LBS)		B DIA	C	D	E	F DIA	H	J DIA
		INITIAL	FINAL							
CL-4-PHRP-S	1/4-20	1	2.5	.156	1/4	13/16	1-1/8	1	7/64	1/4
CL-6-PHRP-S	3/8-16	2	4	.250	3/8	1-1/4	1-11/16	1-1/4	3/16	3/8
CL-8-PHRP-S	1/2-13	2.5	5	.312	1/2	1-7/16	2	1-3/8	1/4	1/2

HAND-RETRACTABLE PLUNGERS

STEEL: 12L14 BODY, 12L14 PLUNGER CARBURIZED-HARDENED, 17-7PH SPRING
 ALL STEEL COMPONENTS ZINC PLATED CLEAR CHROMATE
 STAINLESS STEEL: 300 SERIES



5/8-11



1/2-13

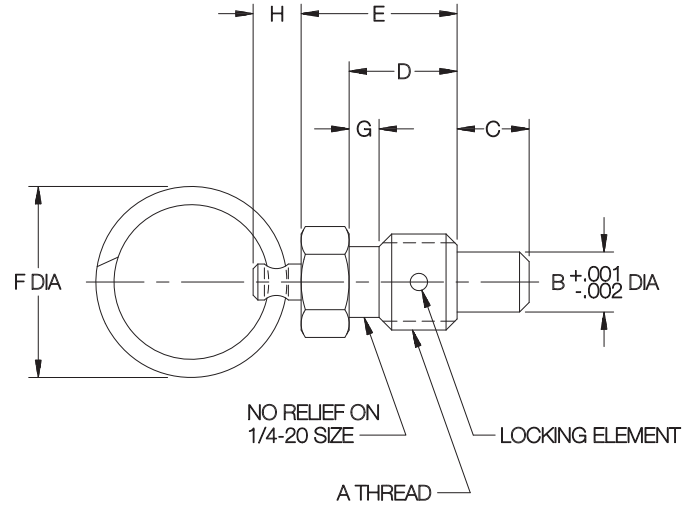
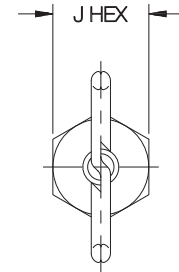


3/8-16

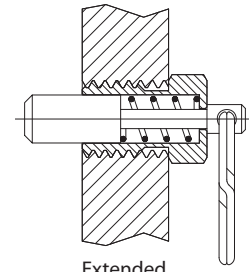


1/4-20

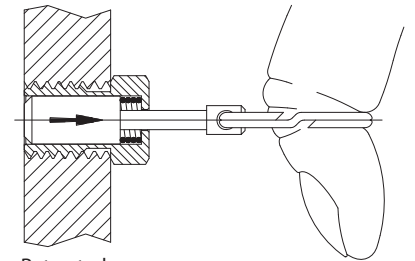
Pull Ring (Non-Locking Type)



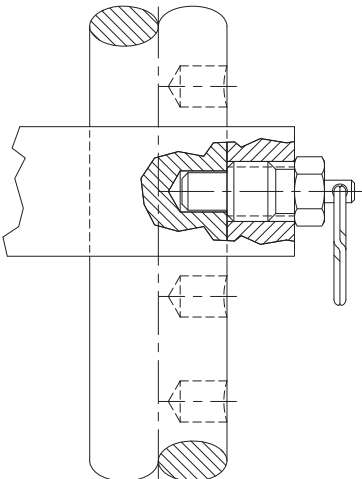
Extremely compact spring-loaded plunger that extends unless manually held in retracted position. Comfortable pull ring allows quick actuation, yet stays out of the way when not in use. Note: Catalog photos are actual size.



Extended



Retracted



PULL RING, NON-LOCKING TYPE — STEEL (INCH)

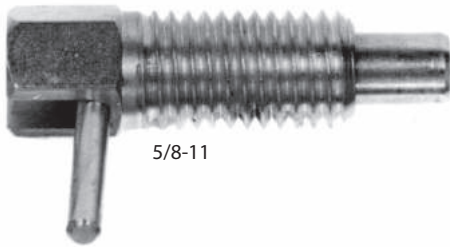
PART NO.	A	END FORCE (LBS)		B DIA	C	D	E	F DIA	G	H	J
		INITIAL	FINAL								
CL-4-RHRP	1/4-20	.5	2	.156	3/16	9/32	7/16	3/4	1/32	5/32	1/4
CL-6-RHRP	3/8-16	.75	3	.250	9/32	7/16	5/8		1/8	3/16	3/8
CL-8-RHRP	1/2-13	1	4	.312	3/8	9/16	13/16	1	5/32	1/4	1/2
CL-10-RHRP	5/8-11	1.25	5	.375	7/16	11/16	1			5/16	5/8

PULL RING, NON-LOCKING TYPE — STAINLESS STEEL (INCH)

PART NO.	A	END FORCE (LBS)		B DIA	C	D	E	F DIA	G	H	J
		INITIAL	FINAL								
CL-4-RHRP-S	1/4-20	.5	2	.156	3/16	9/32	7/16	3/4	1/32	5/32	1/4
CL-6-RHRP-S	3/8-16	.75	3	.250	9/32	7/16	5/8		1/8	3/16	3/8
CL-8-RHRP-S	1/2-13	1	4	.312	3/8	9/16	13/16	1	5/32	1/4	1/2
CL-10-RHRP-S	5/8-11	1.25	5	.375	7/16	11/16	1			5/16	5/8

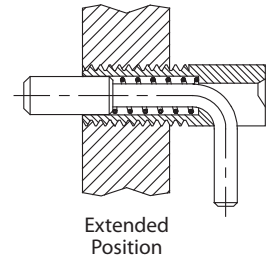
HAND-RETRACTABLE PLUNGERS

STEEL: 12L14 BODY, 12L14 PLUNGER CARBURIZED-HARDENED, 17-7PH SPRING
 ALL STEEL COMPONENTS ZINC PLATED CLEAR CHROMATE
 STAINLESS STEEL: 300 SERIES



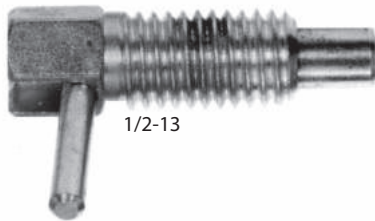
5/8-11

Spring-loaded plunger that locks in retracted position. Convenient L handle for quick retraction and locking. Note: Catalog photos are actual size.



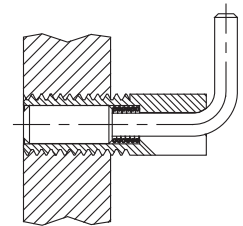
Extended Position

4

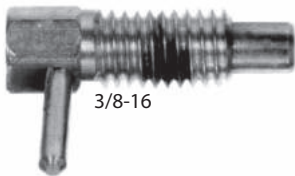


1/2-13

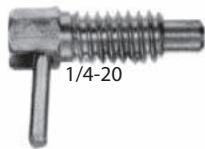
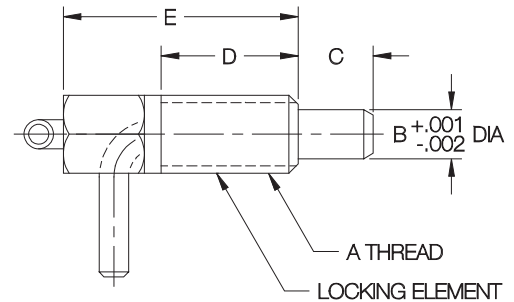
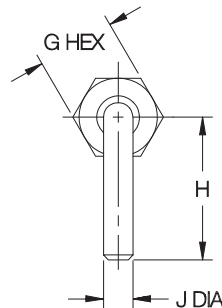
**L Handle
Short Stroke
(Locking Type)**



Retracted Position



3/8-16



1/4-20

L HANDLE, SHORT STROKE — STEEL (INCH)

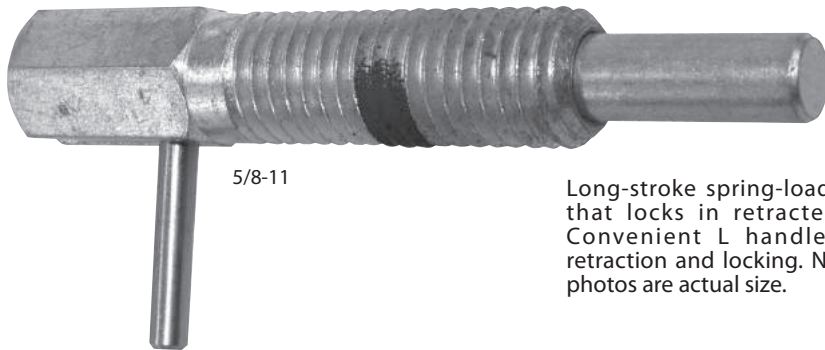
PART NO.	A	END FORCE (LBS)		B DIA	C	D	E	G	H	J DIA
		INITIAL	FINAL							
CL-40-LHRP	1/4-20	.12	.5	.156	3/16	7/16	3/4	1/4	9/16	3/32
CL-60-LHRP	3/8-16	.25	1.25	.250	5/16	5/8	1-1/8	3/8	3/4	9/64
CL-80-LHRP	1/2-13	.5	2	.312	13/32	7/8	1-1/2	1/2	1	3/16
CL-100-LHRP	5/8-11	.75	2.5	.375	1/2	1-1/8	1-7/8	5/8	1-3/16	3/16

L HANDLE, SHORT STROKE — STAINLESS STEEL (INCH)

PART NO.	A	END FORCE (LBS)		B DIA	C	D	E	G	H	J DIA
		INITIAL	FINAL							
CL-40-LHRP-S	1/4-20	.12	.5	.156	3/16	7/16	3/4	1/4	9/16	3/32
CL-60-LHRP-S	3/8-16	.25	1.25	.250	5/16	5/8	1-1/8	3/8	3/4	9/64
CL-80-LHRP-S	1/2-13	.5	2	.312	13/32	7/8	1-1/2	1/2	1	3/16
CL-100-LHRP-S	5/8-11	.75	2.5	.375	1/2	1-1/8	1-7/8	5/8	1-3/16	3/16

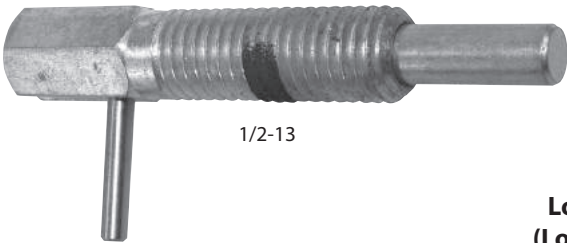
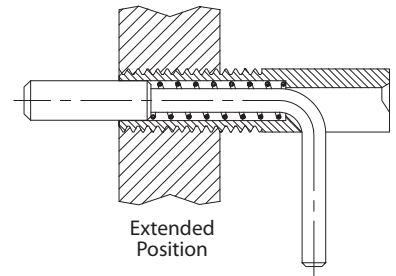
HAND-RETRACTABLE PLUNGERS

STEEL: 12L14 BODY, 12L14 PLUNGER CARBURIZED-HARDENED, 17-7PH SPRING
 ALL STEEL COMPONENTS ZINC PLATED CLEAR CHROMATE
 STAINLESS STEEL: 300 SERIES



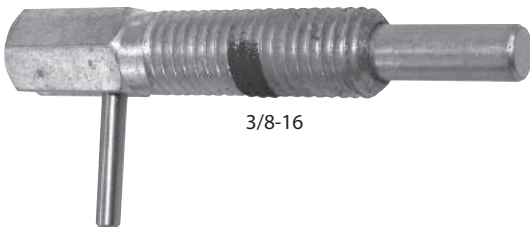
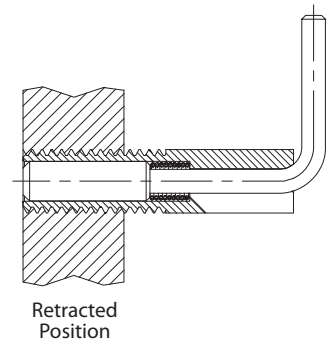
5/8-11

Long-stroke spring-loaded plunger that locks in retracted position. Convenient L handle for quick retraction and locking. Note: Catalog photos are actual size.

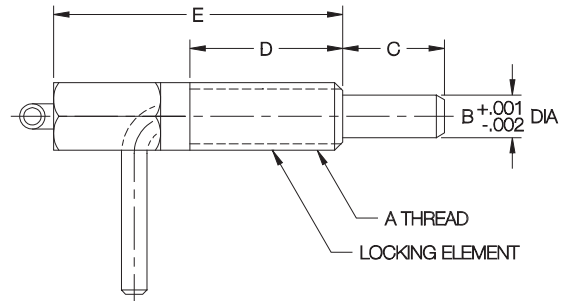
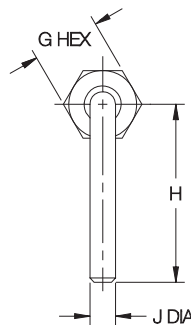


1/2-13

**L Handle
 Long Stroke
 (Locking Type)**



3/8-16



1/4-20

L HANDLE, LONG STROKE — STEEL (INCH)

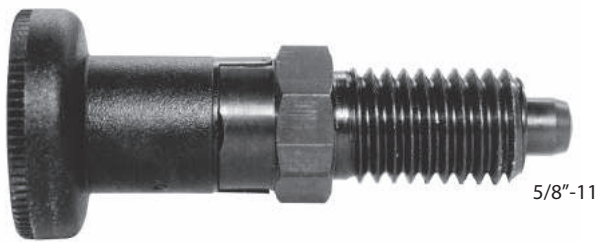
PART NO.	A	END FORCE (LBS)		B DIA	C	D	E	G	H	J DIA
		INITIAL	FINAL							
CL-4-LHRP	1/4-20	.5	2.5	.156	3/8	5/8	1-1/4	1/4	5/8	3/32
CL-6-LHRP	3/8-16	.75	3.75	.250	9/16	1-1/16	2	3/8	15/16	9/64
CL-8-LHRP	1/2-13	1	5	.312	3/4	1-1/8	2-1/8	1/2	1-1/4	3/16
CL-10-LHRP	5/8-11			.375	1	1-3/4	3	5/8	1-5/16	

L HANDLE, LONG STROKE — STAINLESS (INCH)

CL-4-LHRP-S	1/4-20	.5	2.5	.156	3/8	5/8	1-1/4	1/4	5/8	3/32
CL-6-LHRP-S	3/8-16	.75	3.75	.250	9/16	1-1/16	2	3/8	15/16	9/64
CL-8-LHRP-S	1/2-13	1	5	.312	3/4	1-1/8	2-1/8	1/2	1-1/4	3/16
CL-10-LHRP-S	5/8-11			.375	1	1-3/4	3	5/8	1-5/16	

HAND-RETRACTABLE PLUNGERS

KNOB: MATTE BLACK FIBER-REINFORCED NYLON THERMOPLASTIC
 PLUNGER: STEEL, HEAT TREATED.
 BODY: STEEL, BLACK OXIDE FINISH



5/8"-11

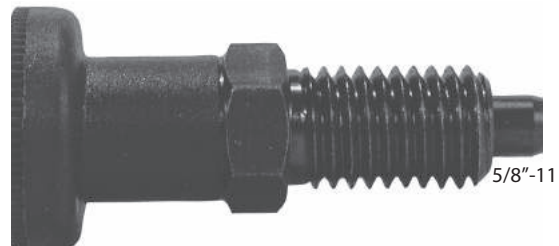


1/2"-13



3/8"-24

**Knob Handle
(Locking Type)**



5/8"-11



1/2"-13



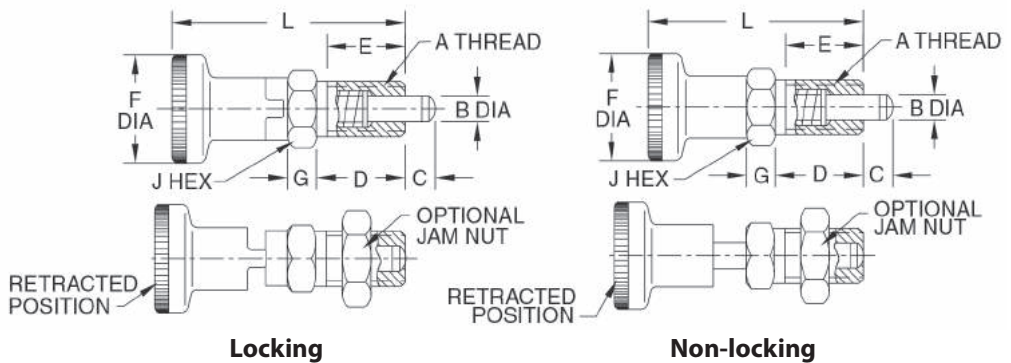
3/8"-24

**Knob Handle
(Non-Locking Type)**

Precision indexing plunger with a attractive knob handle for convenient retraction. Threaded-body version provides adjustment and can be secured with an optional Jam Nut. High strength and durability in an extremely compact assembly (catalog photos are actual size). Hardened and ground plunger tip has a slight taper for easy alignment. Available in two types, locking and non-locking.

Locking type has a spring-loaded plunger that locks in retracted position. To lock, pull knurled knob back and turn 90°. Body is notched at 90° to keep the knob in its retracted position.

Non-locking type has a spring-loaded plunger that stays extended by spring force except when manually held in retracted position.



LOCKING TYPE (INCH)

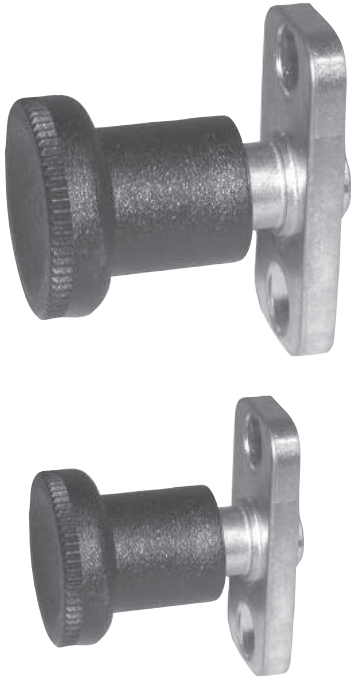
PART NO.	A	B DIA		C	D	E	F DIA	G	J	L	END FORCE (LBS)		JAM NUT (OPTIONAL)
		NOMINAL	ACTUAL								INITIAL	FINAL	
CL-6-HRPK-L	3/8-24	5mm	.1961/.1953	.20	.67	.59	.83	.20	12mm	1.73	1.6	3.6	CL-6-FJN
CL-8-HRPK-L	1/2-13	6mm	.2354/.2346	.24	.79	.67	.98	.24	14mm	2.09	1.5	3.4	CL-8-JN
CL-10-HRPK-L	5/8-11	8mm	.3142/.3134	.28	1.02	.91	1.22	.31	19mm	2.62	2.7	7.0	CL-10-JN

NON-LOCKING TYPE (INCH)

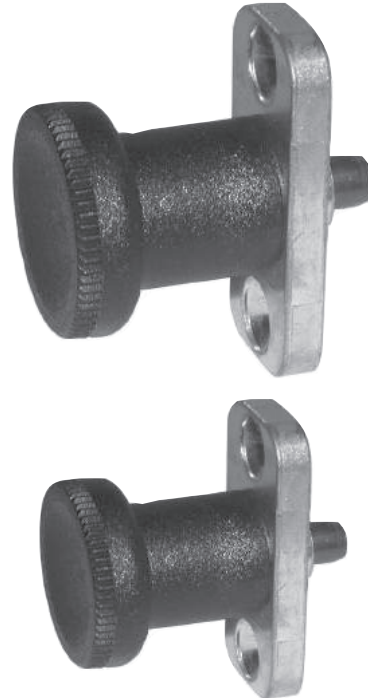
CL-6-HRPK-N	3/8-24	5mm	.1961/.1953	.20	.67	.59	.83	.20	12mm	1.73	1.6	3.6	CL-6-FJN
CL-8-HRPK-N	1/2-13	6mm	.2354/.2346	.24	.79	.67	.98	.24	14mm	2.09	1.5	3.4	CL-8-JN
CL-10-HRPK-N	5/8-11	8mm	.3142/.3134	.28	1.02	.91	1.22	.31	19mm	2.62	2.7	7.0	CL-10-JN

HAND-RETRACTABLE PLUNGERS

KNOB: MATTE BLACK FIBER-REINFORCED NYLON THERMOPLASTIC
 PLUNGER: STEEL, HEAT TREATED
 BODY PLATE: STEEL, ZINC PLATED CLEAR CHROMATE



**Knob Handle
with Mounting Plate
(Locking Type)**

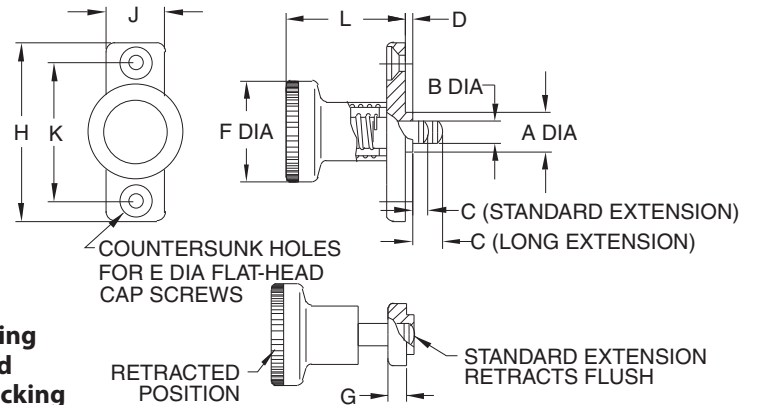


**Knob Handle
with Mounting Plate
(Non-Locking Type)**

Precision indexing plunger with an attractive knob handle for convenient retraction. Mounting-plate version installs in a fixed position with two flat-head screws, and is available with either a short or long plunger extension. High strength and durability in an extremely compact assembly (catalog photos are actual size). Hardened and ground plunger tip has a slight taper for easy alignment. Available in two types, locking and non-locking, each with a choice of short or long plunger extension.

Locking type has a spring-loaded plunger that locks in retracted position. To lock, pull knurled knob back and turn 90°. The body is notched at 90° to keep the knob in its retracted position.

Non-locking type has a spring-loaded plunger that stays extended by spring force except when manually held in retracted position.



**Locking
and
Non-Locking**

LOCKING TYPE

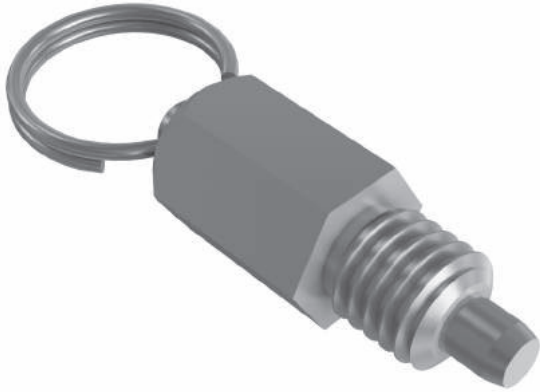
PART NO. STANDARD EXTENSION	PART NO. LONG EXTENSION	A DIA		B DIA		C		D	E DIA	F DIA	G	H	J	K	L	END FORCE (LBS)	
		NOMINAL	ACTUAL	NOMINAL	ACTUAL	STANDARD EXTENSION	LONG EXTENSION									INITIAL	FINAL
CL-8-HRPM-L	CL-8-HRPM-LE	10mm	.393/.390	6mm	.2354/.2346	.24	.55 (24 stroke)	.10	#8 or M4	.98	.18	1.57	.71	1.181	1.12	1.9	4.9
CL-10-HRPM-L	CL-10-HRPM-LE	12mm	.472/.468	8mm	.3142/.3134	.31	.71 (31 stroke)	.10	#10 or M5	1.22	.22	1.81	.79	1.339	1.32	3.5	6.3

NON-LOCKING TYPE

CL-8-HRPM-N	CL-8-HRPM-NE	10mm	.393/.390	6mm	.2354/.2346	.24	.55 (24 stroke)	.10	#8 or M4	.98	.18	1.57	.71	1.181	1.12	1.9	4.9
CL-10-HRPM-N	CL-10-HRPM-NE	12mm	.472/.468	8mm	.3142/.3134	.31	.71 (31 stroke)	.10	#10 or M5	1.22	.22	1.81	.79	1.339	1.32	3.5	6.3

HAND-RETRACTABLE PLUNGERS

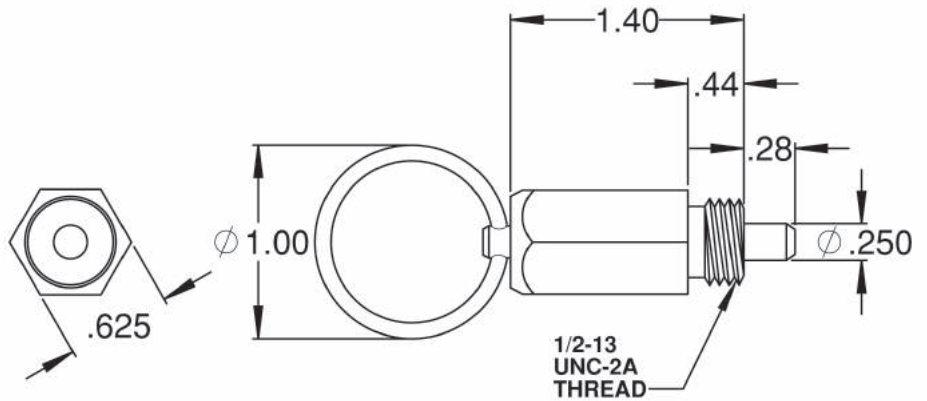
PLUNGER: MILD STEEL, CARBURIZED HARDENED, ZINC PLATED CLEAR CHROMATE
 BODY: MILD STEEL, ZINC PLATED CLEAR CHROMATE
 SPRING: SPRING STEEL



This unique, quick-release pull pin positively locks in extended position. The hand-retractable plunger tip automatically locks in the forward position unless manually disengaged by pulling the ring, rather than being held forward by spring force. Slight taper on plunger tip for easy alignment. **Patent no. 8,821,061.** Made in USA.

4

**Pull Ring
 (Extended-Locking Type)**

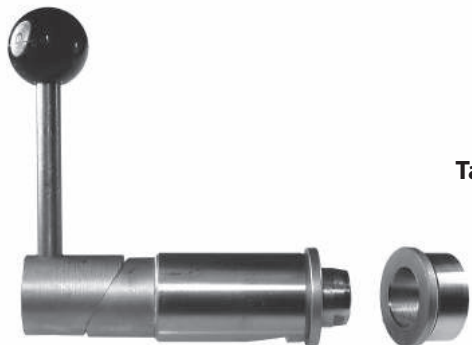


INCH

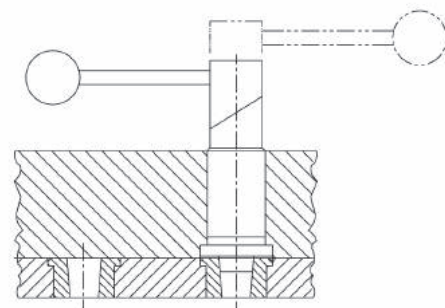
PART NO.	BODY THREAD	END FORCE	PLUNGER DIA	PLUNGER LENGTH	BODY LENGTH	RING DIA	BODY HEX
CL-8-EHRP	1/2-13	Locked	.250	.28	1.40	1.00	5/8

TAPERED INDEX PLUNGERS

PLUNGER, BODY, CAM, AND BUSHING: 1144 STEEL, HEAT TREATED. CENTER SHAFT: 11L44 STEEL. SPRING: MUSIC WIRE. BALL KNOB: BLACK PHENOLIC PLASTIC WITH MOLDED-IN BRASS INSERT

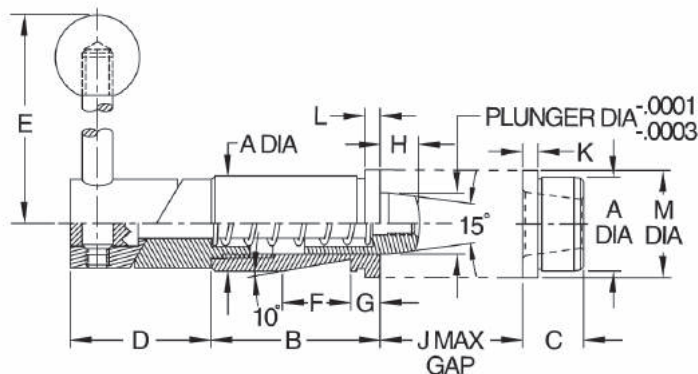


**Tapered Index Plungers
Rotary Cam
Standard Mount**



Index Plungers are precision, heavy-duty assemblies with a retractable spring-loaded plunger and a matching locating bushing. Tapered Index Plungers feature a 15° taper on the plunger tip with a mating taper on the bushing. The taper makes alignment easier and also eliminates any binding during retraction. Straight Index Plungers have an entirely cylindrical plunger with a slight radius at the tip, used together with a straight bushing. A straight plunger provides slightly greater positional accuracy. Order plunger and bushing separately.

The rotary-cam version completely retracts when the handle is rotated 180°. Cam surfaces are hardened steel. The standard-mount configuration has a precision ground body with a whistle notch for orientation with a setscrew (also available with a slightly oversize unground body to allow custom grinding to size). Index Plungers are manufactured with precision working tolerances and are designed for very light interference-fit installations to avoid binding of the mechanism. Set screws with nylon tip inserts are recommended. Set screws should firmly contact the whistle notch, but not exert significant force.



TAPERED INDEX PLUNGERS — ROTARY CAM, STANDARD MOUNT (INCH)

PART NO. INDEX PLUNGER	PART NO. BUSHING	PLUNGER DIA	A DIA			B	C	D	E	F	G	H	J	K	N DIA	N DIA
			NOMINAL	GROUND	UNGROUND											
CL-22018-TIP	CL-22032-TIPB	1/2	3/4	.7518/.7515	—	1-3/8	1/2	1-1/8	3	7/16	5/16	5/16	3/32	1/8	1/8	7/8
CL-22016-TIP	CL-22030-TIPB			—	.766/.765											
CL-22118-TIP	CL-22132-TIPB	3/4	1-1/8	1.1268/1.1265	—	2	5/8	1-5/8	3-1/2	9/16	3/8	13/32	1/8	1/8	1/8	1-1/4
CL-22116-TIP	CL-22130-TIPB			—	1.141/1.140											
CL-22218-TIP	CL-22232-TIPB	1	1-1/2	1.5021/1.5018	—	2-1/4	3/4	2-1/8	4-1/2	11/16	7/16	7/16	1/8	1/8	1/8	1-5/8
CL-22216-TIP	CL-22230-TIPB			—	1.516/1.515											

TAPERED INDEX PLUNGERS — ROTARY CAM, STANDARD MOUNT (METRIC)

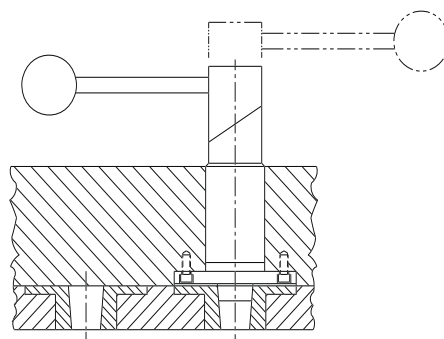
PART NO. INDEX PLUNGER	PART NO. BUSHING	PLUNGER DIA	A DIA			B	C	D	E	F	G	H	J	K	N DIA	N DIA
			NOMINAL	GROUND	UNGROUND											
CLM-22018-TIP	CLM-22032-TIPB	12mm	20mm	.7892/.7889	—	35mm	12mm	1-1/8	3	7/16	5/16	5/16	3/32	3mm	3mm	22mm
CLM-22118-TIP	CLM-22132-TIPB	20mm	30mm	1.1829/1.1826	—	51mm	16mm	1-5/8	3-1/2	9/16	3/8	13/32	1/8	3mm	3mm	32mm

TAPERED INDEX PLUNGERS

PLUNGER, BODY, RETAINER, AND CAM: 1144 STEEL, HEAT TREATED. CENTER SHAFT: 11L44 STEEL. SPRING: MUSIC WIRE.
BALL KNOB: BLACK PHENOLIC PLASTIC WITH MOLDED-IN BRASS INSERT



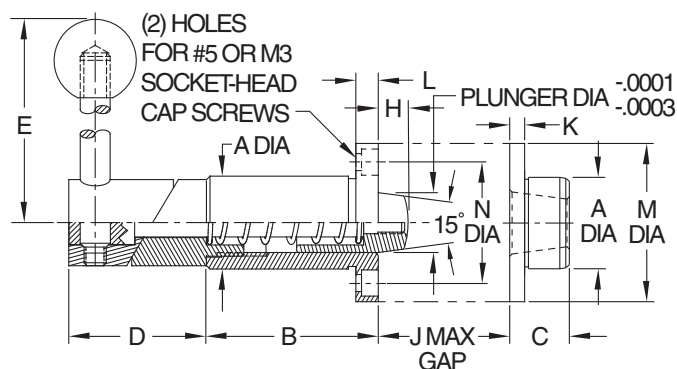
**Tapered Index Plungers
Rotary Cam
Flange Mount**



4

Index Plungers are precision, heavy-duty assemblies with a retractable spring-loaded plunger and a matching locating bushing. Tapered Index Plungers feature a 15° taper on the plunger tip with a mating taper on the bushing. The taper makes alignment easier and also eliminates any binding during retraction. Straight Index Plungers have an entirely cylindrical plunger with a slight radius at the tip, used together with a straight bushing. A straight plunger provides slightly greater positional accuracy. Order plunger and bushing separately.

The rotary-cam version completely retracts when the handle is rotated 180°. Cam surfaces are hardened steel. The flange-mount configuration shown here has a precision ground body with a flange used for orientation by fastening with two Socket-Head Cap Screws (also available with a slightly oversize unground body to allow custom grinding to size). Flange mounting is designed for installations where a cross hole for a set screw is not practical. Index plungers are manufactured with precision working tolerances and are designed for a very light interference-fit installations to avoid binding of the mechanism.



TAPERED INDEX PLUNGERS — ROTARY CAM, FLANGE MOUNT (INCH)

PART NO. INDEX PLUNGER	PART NO. BUSHING	PLUNGER DIA	A DIA			B	C	D	E	H	J	K	L	M DIA	N DIA
			NOMINAL	GROUND	UNGROUND										
CL-22019-TIP	CL-22033-TIPB	1/2	3/4	.7518/.7515	—	1-3/8	1/2	1-1/8	3	5/16	3/32	1/8	3/16	1-5/16	1
CL-22017-TIP	CL-22031-TIPB			—	.766/.765										
CL-22119-TIP	CL-22133-TIPB	3/4	1-1/8	1.1268/1.1265	—	2	5/8	1-1/2	3-1/2	13/32	1/8	1/8	3/16	1-11/16	1-3/8
CL-22117-TIP	CL-22131-TIPB			—	1.141/1.140										

TAPERED INDEX PLUNGERS — ROTARY CAM, FLANGE MOUNT (METRIC)

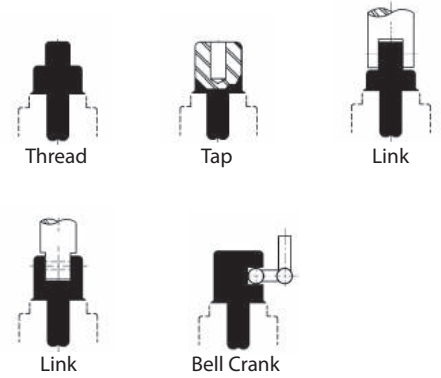
PART NO. INDEX PLUNGER	PART NO. BUSHING	PLUNGER DIA	A DIA			B	C	D	E	H	J	K	L	M DIA	N DIA
			NOMINAL	GROUND	UNGROUND										
CLM-22019-TIP	CLM-22033-TIPB	12mm	20mm	.7892/.7889	----	35mm	12mm	1-1/8	3	5/16	3/32	3mm	5mm	34mm	25mm
CLM-22119-TIP	CLM-22133-TIPB	20mm	30mm	1.1829/1.1826	----	51mm	16mm	1-5/8	3-1/2	13/32	1/8	3mm	5mm	42mm	35mm

TAPERED INDEX PLUNGERS

PLUNGER, BODY, CAM, AND BUSHING: 1144 STEEL, HEAT TREATED. CENTER SHAFT: 11L44 STEEL. SPRING: MUSIC WIRE.

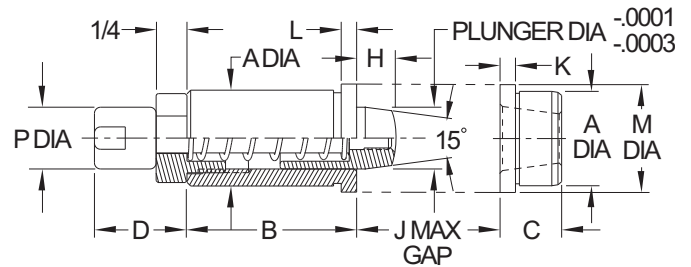


**Tapered Index Plunger
Blank Machinable End**



Index Plungers are precision, heavy-duty assemblies with a retractable spring-loaded plunger and a matching locating bushing. Tapered Index Plungers feature a 15° taper on the plunger tip with a mating taper in the bushing. The taper makes alignment easier and also eliminates any binding during retraction. Straight Index Plungers have an entirely cylindrical plunger with a slight radius at the tip, used together with a straight bushing. A straight plunger provides slightly greater positional accuracy. Order plunger and bushing separately.

The version shown on this page has a blank machinable end for easy adaptation to various actuating devices, including automated setups. Precision ground body (also available with a slightly oversize unground body to allow custom grinding to size). Index Plungers are manufactured with precision working tolerances and are designed for a very light interference-fit installations to avoid binding of the mechanism.



TAPERED INDEX PLUNGERS — BLANK MACHINABLE END (INCH)

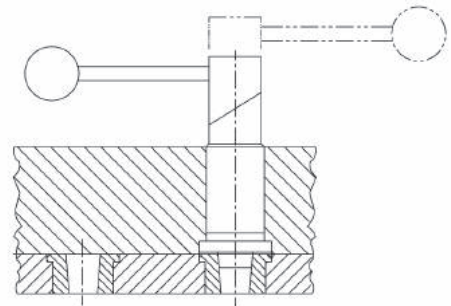
PART NO. INDEX PLUNGER	PART NO. BUSHING	PLUNGER DIA	A DIA			B	C	D	H	J	K	L	M DIA	P DIA
			NOMINAL	GROUND	UNGROUND									
CL-22014-TIP	CL-22032-TIPB	1/2	3/4	.7518/.7515	—	1-3/8	1/2	3/4	5/16	3/32	1/8	1/8	7/8	1/2
CL-22012-TIP	CL-22030-TIPB			—	.766/.765									
CL-22114-TIP	CL-22132-TIPB	3/4	1-1/8	1.1268/1.1265	—	2	5/8	1	3/8	1/8	1/8	1/8	1-1/4	3/4
CL-22112-TIP	CL-22130-TIPB			—	1.141/1.140									
CL-22214-TIP	CL-22232-TIPB	1	1-1/2	1.5021/1.5018	—	2-1/4	3/4	1-1/4	3/8	1/8	1/8	1/8	1-5/8	15/16
CL-22212-TIP	CL-22230-TIPB			—	1.5021/1.5018									

STRAIGHT INDEX PLUNGERS

PLUNGER, BODY, CAM, AND BUSHING: 1144 STEEL, HEAT TREATED. CENTER SHAFT: 11L44 STEEL. SPRING: MUSIC WIRE.
BALL KNOB: BLACK PHENOLIC PLASTIC WITH MOLDED-IN BRASS INSERT



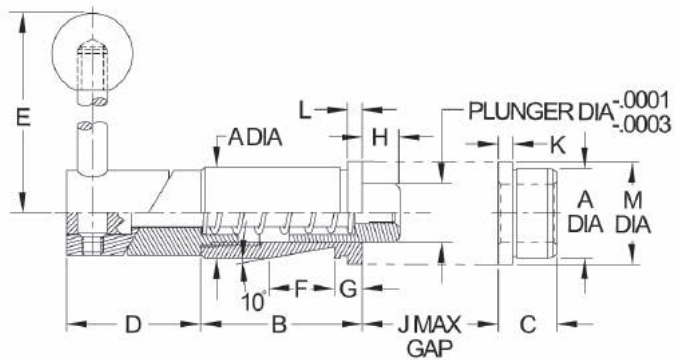
**Straight Index Plungers
Rotary Cam
Standard Mount**



4

Index Plungers are precision, heavy-duty assemblies with a retractable spring-loaded plunger and a matching locating bushing. Tapered Index Plungers feature a 15° taper on the plunger tip with a mating taper on the bushing. The taper makes alignment easier and also eliminates any binding during retraction. Straight Index Plungers have an entirely cylindrical plunger with a slight radius at the tip, used together with a straight bushing. A straight plunger provides slightly greater positional accuracy. Order plunger and bushing separately.

The rotary-cam version completely retracts when the handle is rotated 180°. Cam surfaces are hardened steel. The standard-mount configuration has a precision ground body with a whistle notch for orientation with a setscrew (also available with a slightly oversize unground body to allow custom grinding to size). Index Plungers are manufactured with precision working tolerances and are designed for very light interference-fit installations to avoid binding of the mechanism. Set screws with nylon tip inserts are recommended. Set screws should firmly contact the whistle notch, but not exert significant force.



STRAIGHT INDEX PLUNGERS — ROTARY CAM, STANDARD MOUNT (INCH)

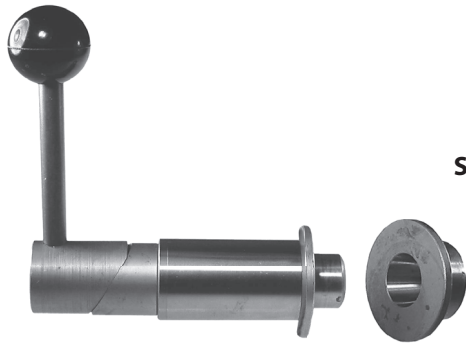
PART NO. INDEX PLUNGER	PART NO. BUSHING	PLUNGER DIA	A DIA			B	C	D	E	F	G	H	J	K	N DIA	N DIA
			NOMINAL	GROUND	UNGROUND											
CL-22006-SIP	CL-22028-SIPB	1/2	3/4	.7518/.7515	—	1-3/8	1/2	1-1/8	3	7/16	5/16	5/16	3/32	1/8	1/8	7/8
CL-22004-SIP	CL-22026-SIPB			.766/.765												
CL-22106-SIP	CL-22128-SIPB	3/4	1-1/8	1.1268/1.1265	—	2	5/8	1-1/2	3-1/2	9/16	3/8	13/32	1/8	1/8	1/8	1-1/4
CL-22104-SIP	CL-22126-SIPB			1.141/1.140												
CL-22206-SIP	CL-22228-SIPB	1	1-1/2	1.5021/1.5018	—	2-1/4	3/4	1-7/8	4-1/2	11/16	7/16	7/16	1/8	1/8	1/8	1-5/8
CL-22204-SIP	CL-22226-SIPB			1.516/1.515												

STRAIGHT INDEX PLUNGERS — ROTARY CAM, STANDARD MOUNT (METRIC)

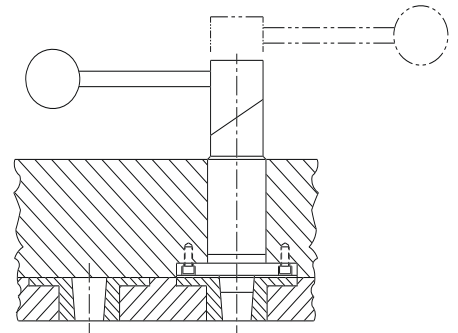
PART NO. INDEX PLUNGER	PART NO. BUSHING	PLUNGER DIA	A DIA			B	C	D	E	F	G	H	J	K	N DIA	N DIA
			NOMINAL	GROUND	UNGROUND											
CLM-22006-SIP	CLM-22028-SIPB	12mm	20mm	.7892/.7889	—	35mm	12mm	1-1/8	3	7/16	5/16	5/16	3/32	3mm	3mm	22mm
CLM-22106-SIP	CLM-22128-SIPB	20mm	30mm	1.1829/1.1826	—	51mm	16mm	1-5/8	3-1/2	9/16	3/8	13/32	1/8	3mm	3mm	32mm

STRAIGHT INDEX PLUNGERS

PLUNGER, BODY, RETAINER, AND CAM: 1144 STEEL, HEAT TREATED. CENTER SHAFT: 11L44 STEEL. SPRING: MUSIC WIRE. BALL KNOB: BLACK PHENOLIC PLASTIC WITH MOLDED-IN BRASS INSERT

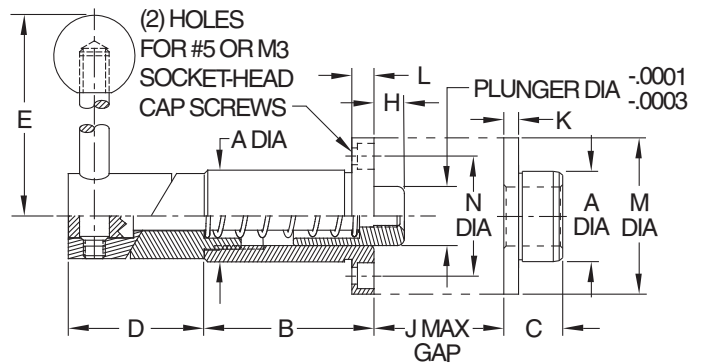


**Straight Index Plungers
Rotary Cam
Flange Mount**



Index Plungers are precision, heavy-duty assemblies with a retractable spring-loaded plunger and a matching locating bushing. Tapered Index Plungers feature a 15° taper on the plunger tip with a mating taper on the bushing. The taper makes alignment easier and also eliminates any binding during retraction. Straight Index Plungers have an entirely cylindrical plunger with a slight radius at the tip, used together with a straight bushing. A straight plunger provides slightly greater positional accuracy. Order plunger and bushing separately.

The rotary-cam version completely retracts when the handle is rotated 180°. Cam surfaces are hardened steel. The flange-mount configuration shown here has a precision ground body with a flange used for orientation by fastening with two Socket-Head Cap Screws (also available with a slightly oversize unground body to allow custom grinding to size). Flange mounting is designed for installations where a cross hole for a set screw is not practical. Index plungers are manufactured with precision working tolerances and are designed for a very light interference-fit installations to avoid binding of the mechanism.



STRAIGHT INDEX PLUNGERS — ROTARY CAM, FLANGE MOUNT (INCH)

PART NO. INDEX PLUNGER	PART NO. BUSHING	PLUNGER DIA	A DIA			B	C	D	E	H	J	K	L	M DIA	N DIA
			NOMINAL	GROUND	UNGROUND										
CL-22007-SIP	CL-22029-SIPB	1/2	3/4	.7518/.7515	—	1-3/8	1/2	1-1/8	3	5/16	3/32	1/8	3/16	1-5/16	1
CL-22005-SIP	CL-22027-SIPB			—	.766/.765										
CL-22107-SIP	CL-22129-SIPB	3/4	1-1/8	1.1268/1.1265	—	2	5/8	1-1/2	3-1/2	13/32	1/8	1/8	3/16	1-11/16	1-3/8
CL-22105-SIP	CL-22127-SIPB			—	1.141/1.140										

STRAIGHT INDEX PLUNGERS — ROTARY CAM, FLANGE MOUNT (METRIC)

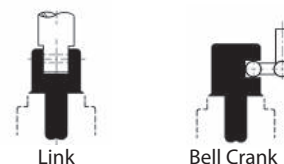
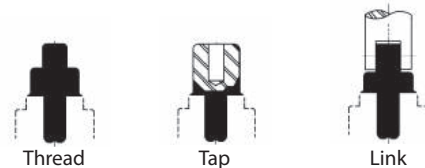
PART NO. INDEX PLUNGER	PART NO. BUSHING	PLUNGER DIA	A DIA			B	C	D	E	F	G	H	J	K	N DIA
			NOMINAL	GROUND	UNGROUND										
CLM-22007-SIP	CLM-22029-SIPB	12mm	20mm	.7892/.7889	—	35mm	12mm	1-1/8	3	5/16	3/32	3mm	5mm	34mm	25mm
CLM-22107-SIP	CLM-22129-SIPB	20mm	30mm	1.1829/1.1826	—	51mm	16mm	1-5/8	3-1/2	13/32	1/8	3mm	5mm	42mm	35mm

STRAIGHT INDEX PLUNGERS

PLUNGER, BODY, CAM, AND BUSHING: 1144 STEEL, HEAT TREATED. CENTER SHAFT: 11L44 STEEL. SPRING: MUSIC WIRE.

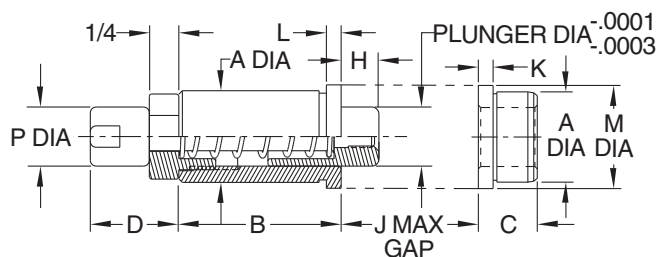


**Straight Index Plunger
Blank Machinable End**



Index Plungers are precision, heavy-duty assemblies with a retractable spring-loaded plunger and a matching locating bushing. Tapered Index Plungers feature a 15° taper on the plunger tip with a mating taper in the bushing. The taper makes alignment easier and also eliminates any binding during retraction. Straight Index Plungers have an entirely cylindrical plunger with a slight radius at the tip, used together with a straight bushing. A straight plunger provides slightly greater positional accuracy. Order plunger and bushing separately.

The version shown on this page has a blank machinable end for easy adaptation to various actuating devices, including automated setups. Precision ground body (also available with a slightly oversize unground body to allow custom grinding to size). Index Plungers are manufactured with precision working tolerances and are designed for a very light interference-fit installations to avoid binding of the mechanism.



STRAIGHT INDEX PLUNGERS — BLANK MACHINABLE END (INCH)

PART NO. INDEX PLUNGER	PART NO. BUSHING	PLUNGER DIA	A DIA			B	C	D	H	J	K	L	M DIA	P DIA
			NOMINAL	GROUND	UNGROUND									
CL-22002-SIP	CL-22028-SIPB	1/2	3/4	.7518/.7515	—	1-3/8	1/2	3/4	5/16	3/32	1/8	1/8	7/8	1/2
CL-22102-SIP	CL-22128-SIPB	3/4	1-1/8	1.1268/1.1265	—	2	5/8	1	1/2	1/8	1/8	1/8	1-1/4	3/4
CL-22202-SIP	CL-22228-SIPB	1	1-1/2	1.5021/1.5018	—	2-1/4	3/4	1-1/4	5/8	1/8	1/8	1/8	1-5/8	15/16

SPRING STOP BUTTONS

BODY: ALUMINUM ALLOY; SPRING: SPRING STEEL (OR STAINLESS STEEL)
 PLUNGER: MILD STEEL, CARBURIZED-HARDENED, BLACK OXIDE FINISH (OR STAINLESS STEEL, OR DELRIN®)



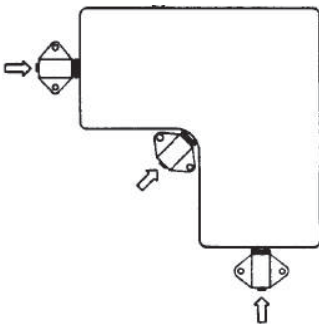
Large
CL-30A-SSB



Medium
CL-20A-SSB

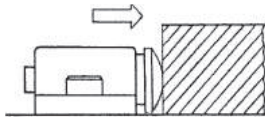


Small
CL-10A-SSB

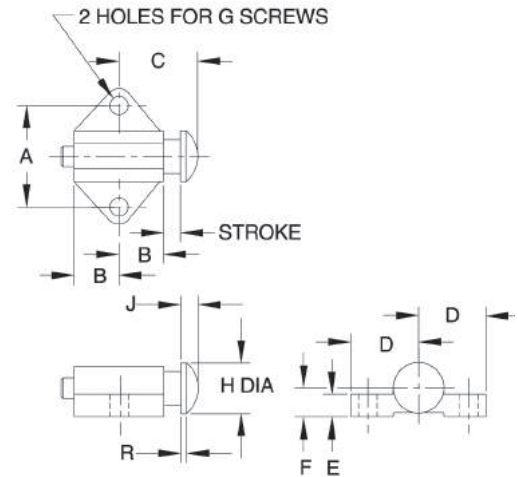


Spring Stop Buttons are ideal for holding a workpiece against its locators until clamps are in place, and for other light clamping jobs. Choice of three sizes in each type. The smallest of the three sizes is optionally available with light spring force. Note: Catalog photos are actual size.

Type A
Spherical Radius



Spring-loaded plunger has a spherical radius to exert contact force at a single point. Choice of steel, stainless steel, or Delrin® plunger.



TYPE A – SPHERICAL RADIUS (STEEL)

PART NO. STANDARD FORCE	PART NO. LIGHT FORCE	STROKE	STANDARD CONTACT FORCE (LBS)			LIGHT CONTACT FORCE (LBS)			A	B	C	D	E	F	G DIA	H DIA	J	R
			INITIAL	HALFWAY	FINAL	INITIAL	HALFWAY	FINAL										
CL-10A-SSB	CL-10A-SSB-2	1/8	5	10	15	1.5	2	2.5	.656	11/32	19/32	7/16	3/16	7/32	#6-32 or M3.5	3/8	1/8	1/16
CL-20A-SSB	—	3/16	2	14	26	—	—	—	1.125	1/2	7/8	3/4	1/4	5/16	#10-32 or M5	9/16	3/16	1/16
CL-30A-SSB	—	1/4	16	32	48	—	—	—	1.500	11/16	1-7/32	1	1/4	7/16	1/4-20 or M6	13/16	9/32	9/64

TYPE A – SPHERICAL RADIUS (STAINLESS STEEL)

CL-10A-SSB-S	CL-10A-SSB-2-S	1/8	5	10	15	1.5	2	2.5	.656	11/32	19/32	7/16	3/16	7/32	#6-32 or M3.5	3/8	1/8	1/16
CL-20A-SSB-S	—	3/16	2	14	26	—	—	—	1.125	1/2	7/8	3/4	1/4	5/16	#10-32 or M5	9/16	3/16	1/16
CL-30A-SSB-S	—	1/4	16	32	48	—	—	—	1.500	11/16	1-7/32	1	1/4	7/16	1/4-20 or M6	13/16	9/32	9/64

TYPE A – SPHERICAL RADIUS (DELRIN®)

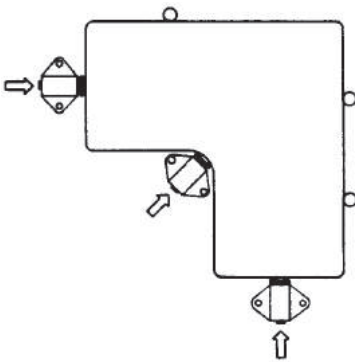
CL-10A-SSBN	CL-10A-SSBN-2	1/8	5	10	15	1.5	2	2.5	.656	11/32	19/32	7/16	3/16	7/32	#6-32 or M3.5	3/8	1/8	1/16
CL-20A-SSBN	—	3/16	2	14	26	—	—	—	1.125	1/2	7/8	3/4	1/4	5/16	#10-32 or M5	9/16	3/16	1/16
CL-30A-SSBN	—	1/4	16	32	48	—	—	—	1.500	11/16	1-7/32	1	1/4	7/16	1/4-20 or M6	13/16	9/32	9/64

SPRING STOP BUTTONS

BODY: ALUMINUM ALLOY; SPRING: SPRING STEEL
 PLUNGER: MILD STEEL, CARBURIZED-HARDENED, ZINC PLATED CLEAR CHROMATE

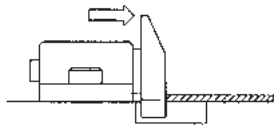


4

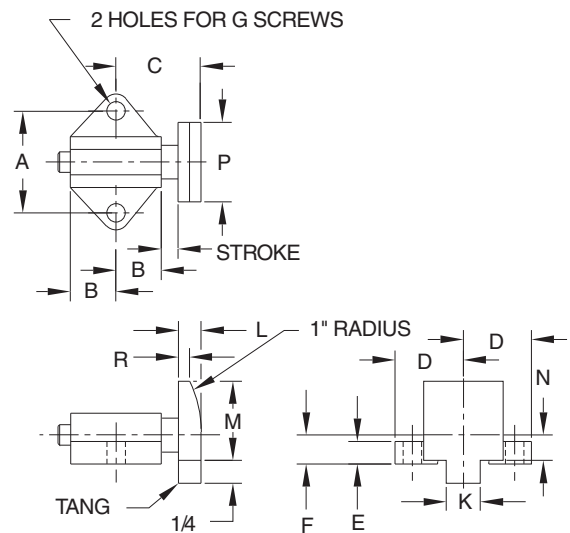


Spring Stop Buttons are ideal for holding a workpiece against its locators until clamps are in place, and for other light clamping jobs. Choice of three sizes in each type. The smallest of the three sizes is optionally available with light spring force. Note: Catalog photos are actual size.

Type B Flat Face with Tang



Designed for thin workpieces and sheets. Tang prevents sheet from sliding under plunger. Requires machining a slot in the fixture base for the tang. Large bevel on plunger makes loading easier.



TYPE B – FLAT FACE WITH TANG (STEEL)

PART NO. STANDARD FORCE	PART NO. LIGHT FORCE	STROKE	STANDARD CONTACT FORCE (LBS)			LIGHT CONTACT FORCE (LBS)			A	B	C	D	E	F	G DIA	K	L	M	N	P	R
			INITIAL	HALFWAY	FINAL	INITIAL	HALFWAY	FINAL													
CL-10B-SSB	CL-10B-SSB-2	1/8	5	10	15	1.5	2	2.5	.656	11/32	21/32	7/16	3/16	7/32	#6-32 or M3.5	1/4	3/16	5/8	3/16	5/8	1/16
CL-20B-SSB	—	3/16	2	14	26	—	—	—	1.125	1/2	15/16	3/4	1/4	5/16	#10-32 or M5	3/8	1/4	7/8	9/32	7/8	3/32
CL-30B-SSB	—	1/4	16	32	48	—	—	—	1.500	11/16	1-5/16	1	1/4	7/16	1/4-20 or M6	1/2	3/8	1-1/4	13/32	1-1/4	3/32

SPRING STOP BUTTONS

BODY: ALUMINUM ALLOY; SPRING: SPRING STEEL
 PLUNGER: MILD STEEL, CARBURIZED-HARDENED, ZINC PLATED CLEAR CHROMATE



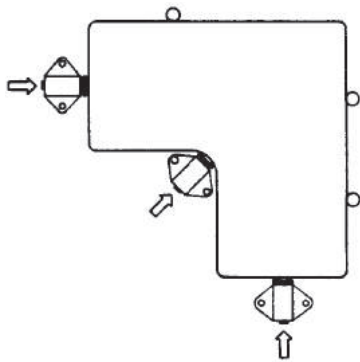
Large
CL-30C-SSB



Medium
CL-20C-SSB

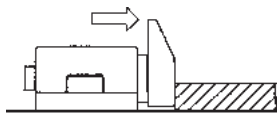


Small
CL-10C-SSB

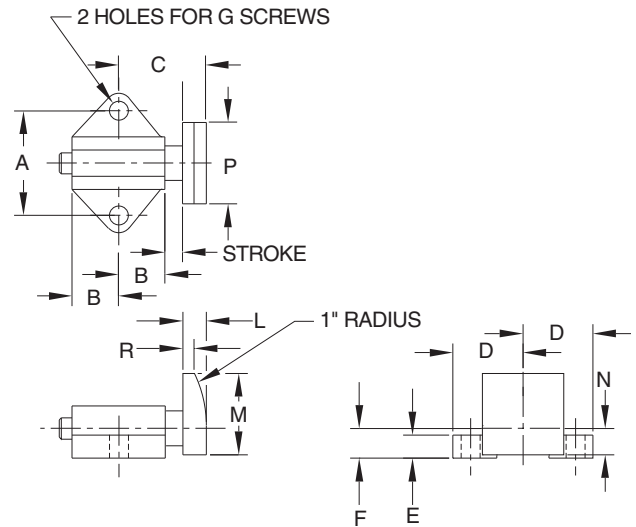


Spring Stop Buttons are ideal for holding a workpiece against its locators until clamps are in place, and for other light clamping jobs. Choice of three sizes in each type. The smallest of the three sizes is optionally available with light spring force. Note: Catalog photos are actual size.

Type C
Flat Face



Flat contact surface is ideal for short workpieces. Large bevel on plunger makes loading easier.



TYPE C – FLAT FACE (STEEL)

PART NO. STANDARD FORCE	PART NO. LIGHT FORCE	STROKE	STANDARD CONTACT FORCE (LBS)			LIGHT CONTACT FORCE (LBS)			A	B	C	D	E	F	G DIA	K	L	M	N	P	R
			INITIAL	HALFWAY	FINAL	INITIAL	HALFWAY	FINAL													
CL-10C-SSB	CL-10C-SSB-2	1/8	5	10	15	1.5	2	2.5	.656	11/32	21/32	7/16	3/16	7/32	#6-32 or M3.5	—	3/16	5/8	3/16	5/8	1/16
CL-20C-SSB	—	3/16	2	14	26	—	—	—	1.125	1/2	15/16	3/4	1/4	5/16	#10-32 or M5	—	1/4	7/8	9/32	7/8	3/32
CL-30C-SSB	—	1/4	16	32	48	—	—	—	1.500	11/16	1-5/16	1	1/4	7/16	1/4-20 or M6	—	3/8	1-1/4	13/32	1-1/4	3/32

HEAVY-DUTY SPRING STOPS

BODY: 1018 STEEL, BLACK OXIDE FINISH
 PLUNGER: 1018 STEEL, BLACK OXIDE FINISH
 SPRING: MUSIC WIRE

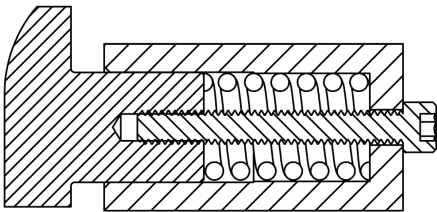


4

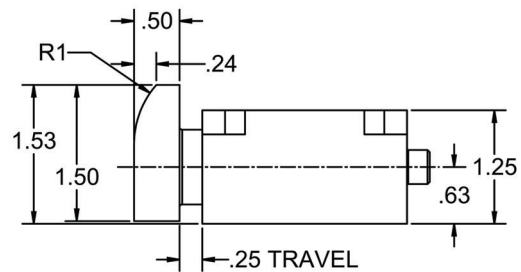
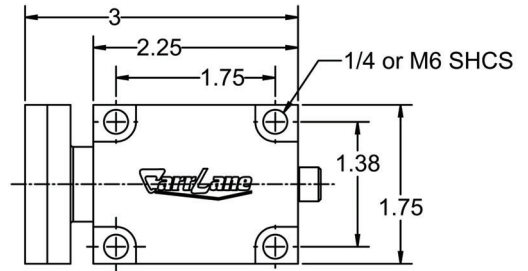
New item!

These massive spring-loaded stops are the largest and strongest of all the Spring Stop Buttons that we manufacture. Heavy-Duty Spring Stops have a large contact face and are useful for applying side force to hold a workpiece against its locators until clamps are in place. For some workholding applications, including many welding fixtures, a spring stop this strong can often be used without additional clamps. Mid-stroke spring force is approximately 100 lbs.

The large flat contact face is ideal for pushing flat-sided workpieces, with a radiused top edge to make loading easier. Heavy-Duty Spring Stops have a large-diameter plunger with a long bearing length to effectively resist loads applied to the top of the contact face. The plunger and body are both made of steel for maximum strength.



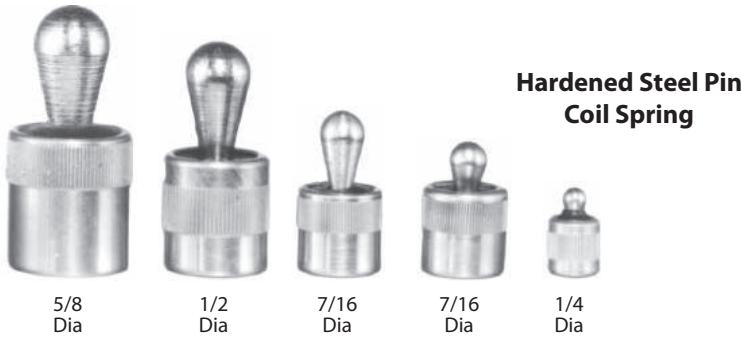
Heavy-Duty Spring Stops have a large-diameter plunger with a long bearing length to effectively resist loads applied to the top of the contact face.



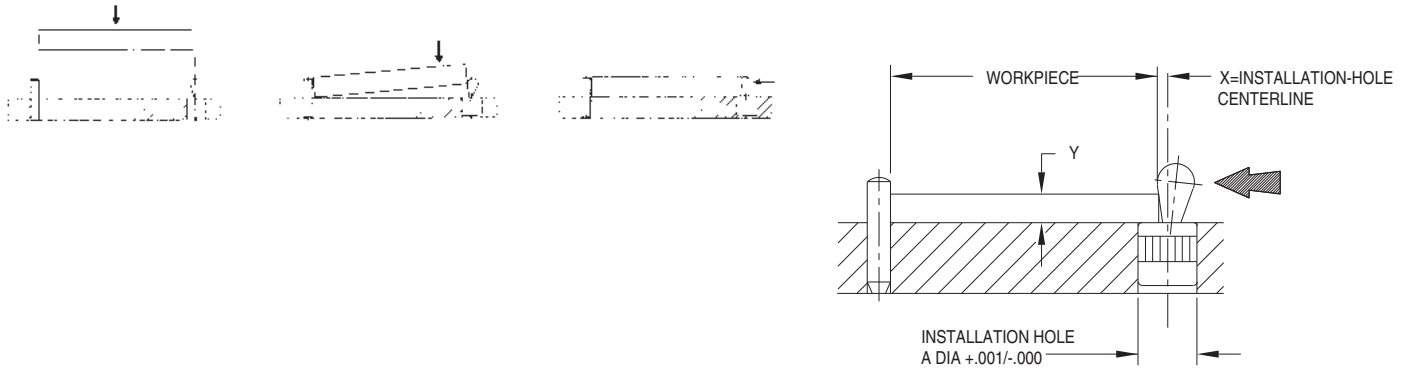
PART NO.	STROKE	CONTACT FORCE (LBS)		
		INITIAL	HALFWAY	FINAL
CL-100-HDSS	1/4	50	105	160

SPRING LOCATING PINS

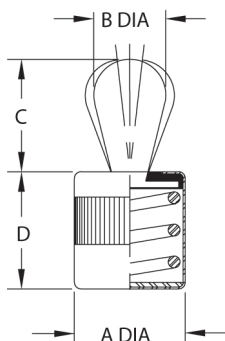
PIN: MILD STEEL, CARBURIZED-HARDENED, ZINC PLATED CLEAR CHROMATE
 SPRING: MUSIC WIRE. HOUSING: ALUMINUM



Our patented Spring Locating Pins are an extremely compact way to apply side force to a workpiece. The tapered contact pin is securely anchored in a spring base. Unit installs easily in a drilled hole. Available in five sizes, each in light, medium, or heavy force. Choice of steel, stainless steel, or Delrin® contact pin. **INFO+**: Also available with a tapped receptacle (p. 200) for custom contact pins. Note: Catalog photos are actual size. Our most popular version is shown on this page, with a durable case-hardened steel contact pin and aluminum body containing a coil spring. Protective rubber seal around contact pin keeps out chips and coolant. This type has the most travel, so it allows the most part-size variation.



HARDENED STEEL PIN, COIL SPRING



PART NO.	A DIA	APPROX SIDE FORCE (LBS)	ALLOWABLE WORKPIECE TOLERANCE	B DIA	C	D	X DIMENSION WHEN Y EQUALS						
							1/16	1/8	3/16	1/4	5/16	3/8	7/16 OR MORE
CL-4-SLP-1	1/4	2.2	.020	.118	.158	.268	.022	.024	.024	.024	.024	.024	.024
CL-4-SLP-2		4.5											
CL-4-SLP-3		9											
CL-7-SLP-1	7/16	4.5	.031	.197	.236	.434	—	.055	.055	.055	.055	.055	.055
CL-7-SLP-2		11											
CL-7-SLP-3		22											
CL-7A-SLP-1	7/16	9	.039	.236	.394	.434	—	—	.049	.059	.059	.059	.059
CL-7A-SLP-2		17											
CL-7A-SLP-3		34											
CL-8-SLP-1	1/2	11	.051	.315	.530	.520	—	—	—	.077	.087	.087	.087
CL-8-SLP-2		22											
CL-8-SLP-3		45											
CL-10-SLP-1	5/8	22	.063	.394	.640	.705	—	—	—	—	.098	.107	.110
CL-10-SLP-2		45											
CL-10-SLP-3		67											

SPRING LOCATING PINS

PIN: 300-SERIES STAINLESS STEEL
 SPRING: SOLID POLYURETHANE. HOUSING: ALUMINUM

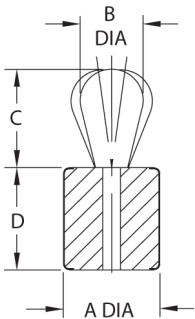


**Stainless Steel Pin
 Solid Polyurethane Spring**

Stainless steel contact pin is ideal for corrosive environments and hygienic applications. Solid polyurethane body is covered by an aluminum shell.

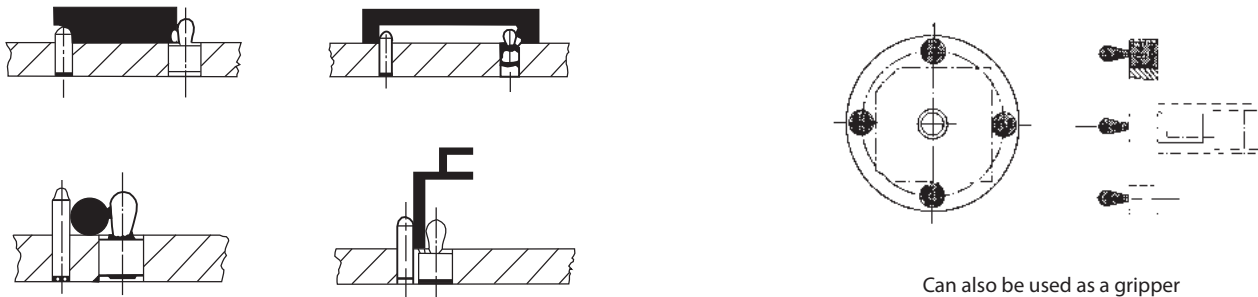
4

STAINLESS STEEL PIN, SOLID POLYURETHANE SPRING



PART NO.	A DIA	APPROX SIDE FORCE (LBS)	ALLOWABLE WORKPIECE TOLERANCE	B DIA	C	D	X DIMENSION WHEN 7 EQUALS						
							1/16	1/8	3/16	1/4	5/16	3/8	7/16 OR MORE
CL-4-SLPS-1	1/4	2.2	.008	.118	.158	.008	.022	.024	.024	.024	.024	.024	.024
CL-4-SLPS-2		4.5											
CL-7-SLPS-1	7/16	6.7	.016	.197	.292	.016	—	.055	.055	.055	.055	.055	.055
CL-7-SLPS-2		13											
CL-7-SLPS-3		20											
CL-7A-SLPS-1	7/16	6.7	.016	.236	.473	.016	—	—	.049	.059	.059	.059	.059
CL-7A-SLPS-2		13											
CL-7A-SLPS-3		20											
CL-8-SLPS-1	1/2	11	.024	.315	.512	.024	—	—	—	.077	.087	.087	.087
CL-8-SLPS-2		22											
CL-8-SLPS-3		33											
CL-10-SLPS-1	5/8	22	.031	.394	.640	.658	—	—	—	.098	.107	.110	.110
CL-10-SLPS-2		45											
CL-10-SLPS-3		67											

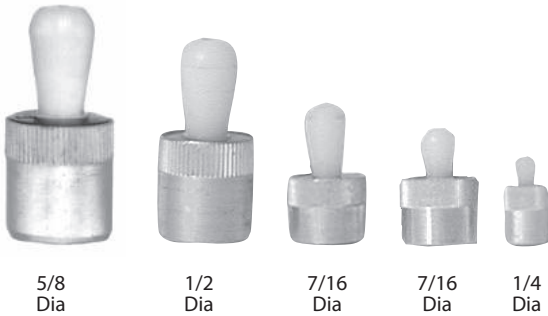
APPLICATION EXAMPLES



Can also be used as a gripper for light clamping.

SPRING LOCATING PINS

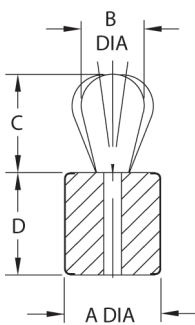
PIN: DELRIN®
 SPRING: SOLID POLYURETHANE. HOUSING: ALUMINIUM



**Delrin® Pin
 Solid Polyurethane Spring**

Delrin® contact pin avoids marring soft or finished surfaces. Solid polyurethane body is covered by an aluminium shell.

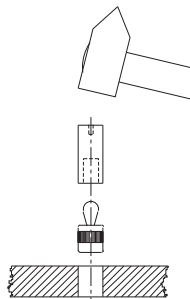
DELRIN® PIN, SOLID POLYURETHANE SPRING



PART NO.	A DIA	APPROX SIDE FORCE (LBS)	ALLOWABLE WORKPIECE TOLERANCE	B DIA	C	D	X DIMENSION WHEN 7 EQUALS						
							1/16	1/8	3/16	1/4	5/16	3/8	7/16 OR MORE
CL-4-SLPP-1	1/4	2.2	.008	.118	.158	.291	.022	.024	.024	.024	.024	.024	.024
CL-4-SLPP-2		4.5											
CL-7-SLPP-1	7/16	6.7	.016	.197	.292	.371	—	.055	.055	.055	.055	.055	.055
CL-7-SLPP-2		13											
CL-7A-SLPP-1	7/16	6.7	.016	.236	.473	.371	—	—	.049	.059	.059	.059	.059
CL-7A-SLPP-2		13											
CL-8-SLPP-1	1/2	11	.024	.315	.512	.551	—	—	—	.077	.087	.087	.087
CL-8-SLPP-2		22											
CL-10-SLPP-1	5/8	22	.031	.394	.640	.658	—	—	—	.098	.107	.110	.110
CL-10-SLPP-2		45											



Installation Tools



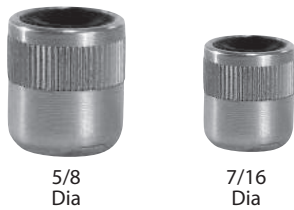
Handy tool to speed up installation of Spring Locating Pins. Use with any of the three types.

INSTALLATION TOOLS

PART NO.	USE TO INSTALL		
CL-4-SLPT	CL-4-SLP-x	CL-4-SLPS-x	CL-4-SLPP-x
CL-7-SLPT	CL-7-SLP-x	CL-7-SLPS-x	CL-7-SLPP-x
CL-7A-SLPT	CL-7A-SLP-x	CL-7A-SLPS-x	CL-7A-SLPP-x
CL-8-SLPT	CL-8-SLP-x	CL-8-SLPS-x	CL-8-SLPP-x
CL-10-SLPT	CL-10-SLP-x	CL-10-SLPS-x	CL-10-SLPP-x

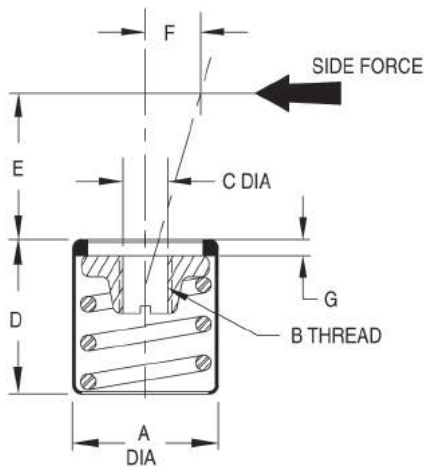
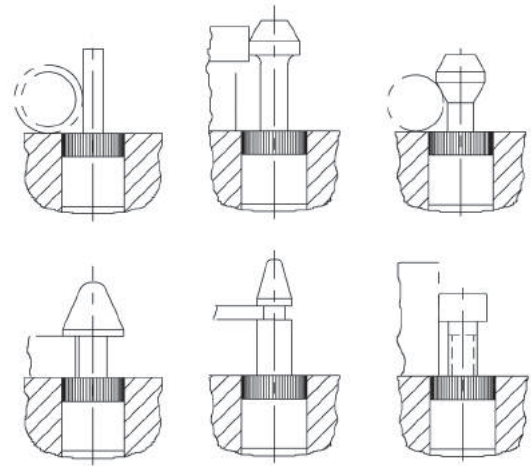
SPRING LOCATING PINS

RECEPTACLE: MILD STEEL, BLACK OXIDE FINISH
 SPRING: MUSIC WIRE. HOUSING: ALUMINUM



Tapped Receptacle for Custom Pin Coil Spring

This version has a tapped receptacle for installing custom contact pins. Available in two sizes, each in light, medium, or heavy force. Dimension E is a theoretical contact height which allows F maximum travel and provides the side force listed in the table. Taller pins will have more travel and less force, while shorter pins will have less travel and more force. To achieve maximum travel, the bottom diameter of the custom pin should be approximately equal to the C dimension.



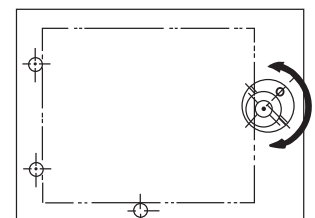
TAPPED RECEPTACLE FOR CUSTOM PIN, COIL SPRING

PART NO.	A DIA	B	APPROX SIDE FORCE (LBS)	C	D	E	F	G
CL-7-SLPR-1	7/16	#8-32	4.5	.164	.434	.16	.063	.04
CL-7-SLPR-2			11					
CL-7-SLPR-3			22					
CL-10-SLPR-1	5/8	1/4-20	22	.250	.705	.45	.126	.06
CL-10-SLPR-2			45					
CL-10-SLPR-3			67					



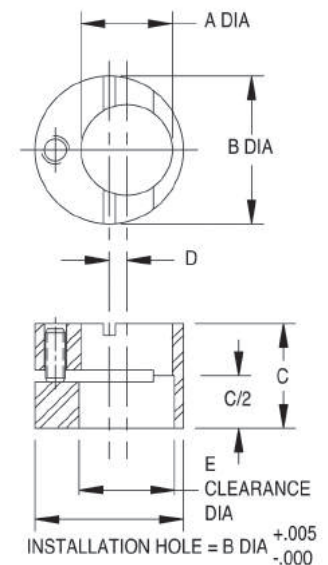
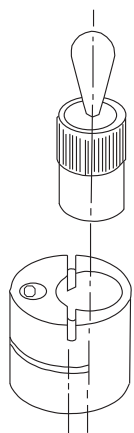
Eccentric Liners

Eccentric Liners provide additional adjustment for workpieces with looser tolerances. Steel.



ECCENTRIC LINERS

PART NO.	FITS THESE PINS	A DIA		B DIA		C	D
		NOMINAL	ACTUAL	NOMINAL	ACTUAL		
CL-4-SLPE	CL-4-SLP-x CL-4-SLPS-x CL-4-SLPP-x	1/4	.2500 .2507	1/2	.5000 .4983	.390	.079
CL-7-SLPE	CL-7-SLP-x CL-7-SLPS-x CL-7-SLPP-x CL-7A-SLP-x CL-7A-SLPS-x CL-7A-SLPP-x	7/16	.4375 .4386	11/16	.6875 .6858	.469	.079
CL-8-SLPE	CL-8-SLP-x CL-8-SLPS-x CL-8-SLPP-x	1/2	.5000 .5011	3/4	.7500 .7480	.547	.079
CL-10-SLPE	CL-10-SLP-x CL-10-SLPS-x CL-10-SLPP-x	5/8	.6250 .6261	1	1.000 .9980	.705	.118



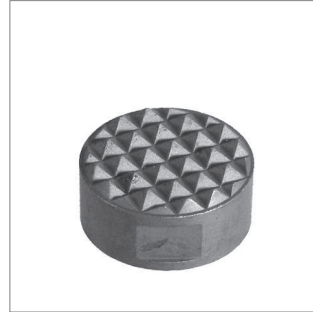
SUPPORTS, RESTS & FEET



Leveling Feet



Swivel Pads



Grippers



Rest Buttons & Pads



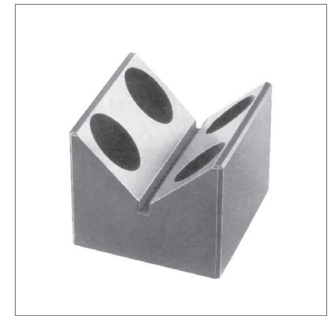
Manual Work Supports



Screw Jacks



Eccentric Leveling Lugs



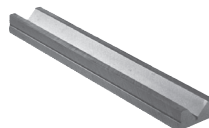
V Blocks

5

Also see:



Modular Supports & Locators
p. 419



V Cast Sections
p. 405



Adjustable Locking Hubs
pp. 410-414



Hydraulic Work Supports
p. 651

LEVELING FEET

TYPES



LEVELING FEET

High-quality, heavy-duty leveling foot with large-diameter pad. Large ball provides high load capacity with a 20° total swivel angle.



STUD LEVELING FEET

High-quality, heavy-duty leveling foot with large-diameter pad and integral stud. Stud and ball are one solid piece. Large ball provides high load capacity with a 20° total swivel angle.



JIG FEET LEVELING

Medium-duty leveling foot with removable pad. Lefthand thread in pad prevents backout while pad rotates and pivots freely.



JIG FEET LEVELING ASSEMBLIES

Complete leveling assembly includes radius-head screw, plate, and hex nut.

5

MATERIALS

STEEL

12L14 steel, carburized-hardened, zinc plated yellow chromate. This material is the most economical and wear resistant choice for maximum load capacities.

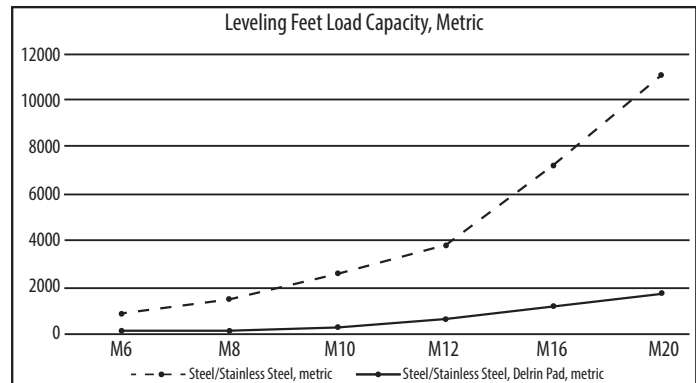
STAINLESS STEEL

300-series stainless steel provides excellent resistance to rust, can be sanitized, and works well in corrosive environments. DFARS and RoHS compliant.

DELIRIN®

White Delrin® 500 is non-marking, will not rust and can be sanitized. Has the lowest load capacity of these materials.

LOAD RATINGS

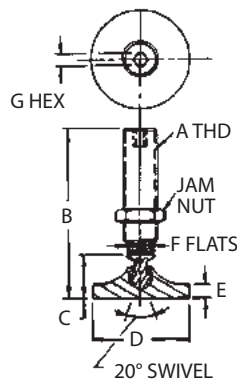
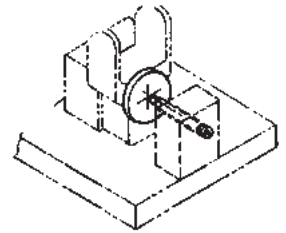


JIG FEET LEVELING

SCREW: 12L14 STEEL, CARBURIZED-HARDENED, ZINC PLATED YELLOW CHROMATE
FOOT: 12L14 STEEL, ZINC PLATED YELLOW CHROMATE



Medium-duty leveling foot with removable pad. Lefthand thread in pad prevents backout while pad rotates and pivots freely.
Patent no. 2,531,892.



INCH

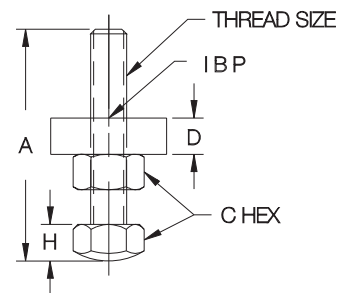
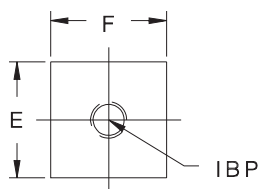
PART NO.	A	B	C	D DIA	E	F	G	*LOAD RATING (LBS)
CL-1-JFL	1/2-13	2-7/32	7/8	1-1/2	1/4	3/8	1/4	1,400
CL-2-JFL		4-7/32						430
CL-3-JFL	5/8-11	3-1/4	29/32	2	5/16	1/2	5/16	2,900
CL-4-JFL		5-1/4						1,200
CL-5A-JFL	3/4-10	3-1/2	1-1/6	2-1/2	3/8	9/16	3/8	3,700
CL-6-JFL		5-17/32						1,800
CL-7A-JFL	1-8	3-1/2	1-19/32	3-1/2	1/2	3/4	1/2	6,700
CL-8-JFL		5-19/32						6,400

METRIC

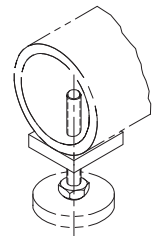
CLM-1-JFL	M12	2.17	.87	1-1/2	1/4	10mm	6mm	1,400
CLM-2-JFL	4.33	430						
CLM-3-JFL	M16	3.35	.91	2	5/16	13mm	8mm	2,900
CLM-4-JFL	5.31	1,200						
CLM-5A-JFL	M20	3.54	1.06	2-1/2	3/8	17mm	10mm	3,700
CLM-6-JFL	5.51	1,800						
CLM-7A-JFL	M24	3.54	1.61	3-1/2	1/2	19mm	12mm	6,700
CLM-8-JFL	5.71	6,400						

JIG FEET LEVELING ASSEMBLIES

MILD STEEL, BLACK OXIDE FINISH



Complete leveling assembly includes radius-head screw, plate, and hex nut.



INCH

PART NO.	THREAD SIZE	A	C	D	E	F	H	*LOAD RATING (LBS)
CL-1-JF	3/8-16	3	11/16	1/2	1-1/2	1-3/4	.42	2,300
CL-2-JF	1/2-13	4	7/8	1/2	1-3/4	2	.53	4,200
CL-3-JF	5/8-11	4	1-1/16	5/8	2	2	.63	6,600
CL-4-JF	3/4-10	4	1-1/4	5/8	2	2	.75	10,000
CL-5-JF	1"-8	5	1-5/8	3/4	2	2	1.06	18,000

METRIC

CLM-10-JF	M10	2.95	17mm	1/2	1-1/2	1-3/4	.43	2,600
CLM-12-JF	M12	3.94	19mm	1/2	1-3/4	2	.55	3,800
CLM-16-JF	M16	3.94	24mm	5/8	2	2	.63	7,200
CLM-20-JF	M20	3.94	30mm	5/8	2	2	.75	11,000
CLM-24-JF	M24	5.12	36mm	3/4	2	2	1.06	16,000

* Safe static load with stud securely mounted in a plate at least one-stud-diameter thick, at maximum stud extension (2:1 safety factor). Jig Feet Leveling Assemblies are rated with the standard plate provided.

LEVELING FEET

STEEL: 12L14, CARBURIZED-HARDENED (BODY ONLY), ZINC PLATED YELLOW CHROMATE OR BLACK OXIDE FINISH
 STAINLESS STEEL: 300 SERIES. DELRIN® PAD: WHITE DELRIN® 500.



**Steel
Zinc Plated**



**Steel
Zinc Plated
with Delrin® Pad**



**Steel
Black Oxide Finish**



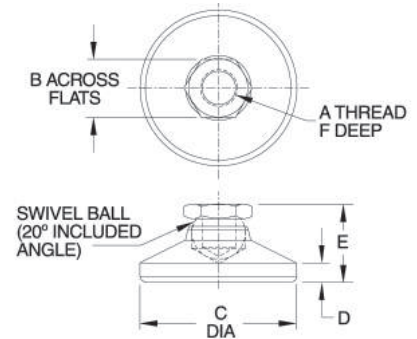
Stainless Steel



**Stainless Steel
with Delrin® Pad**

5

High-quality, heavy-duty leveling foot with large-diameter pad. Large ball provides high load capacity with a 20° total swivel angle.



INCH

PART NO. STEEL ZINC PLATED	PART NO. STEEL ZINC PLATED DELRIN® PAD	PART NO. STEEL BLACK OXIDE	PART NO. STAINLESS	PART NO. STAINLESS DELRIN® PAD	A	B	C DIA	D	E	F	LOAD RATING (LBS)*	
											STEEL & STAINLESS	DELRIN®
CL-3-LF	CL-3-LFN	CL-3-LF-BO	CL-3-LF-S	CL-3-LFN-S	#10-32	3/8	3/4	7/64	17/32	1/4	700	150
CL-4-LF	CL-4-LFN	CL-4-LF-BO	CL-4-LF-S	CL-4-LFN-S	1/4-20	1/2	1	5/32	45/64	5/16	1,000	200
CL-5-LF	CL-5-LFN	CL-5-LF-BO	CL-5-LF-S	CL-5-LFN-S	5/16-18	9/16	1-1/8	3/16	3/16	3/8	1,500	250
CL-6-LF	CL-6-LFN	CL-6-LF-BO	CL-6-LF-S	CL-6-LFN-S	3/8-16	5/8	1-1/4	3/16	7/8	13/32	2,300	300
CL-8-LF	CL-8-LFN	CL-8-LF-BO	CL-8-LF-S	CL-8-LFN-S	1/2-13	3/4	1-7/8	1/4	1-1/8	1/2	4,200	700
CL-10-LF	CL-10-LFN	CL-10-LF-BO	CL-10-LF-S	CL-10-LFN-S	5/8-11	15/16	2-1/2	5/16	1-1/4	1/2	6,600	1,200
CL-12-LF	CL-12-LFN	CL-12-LF-BO	CL-12-LF-S	CL-12-LFN-S	3/4-10	1-1/8	3	1/2	1-1/2	5/8	10,000	1,800
CL-16-LF	—	CL-16-LF-BO	CL-16-LF-S	—	1"-8	1-1/2	4	13/32	1-7/8	15/16	18,000	

METRIC

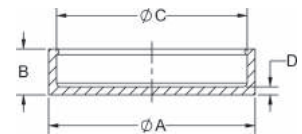
CLM-6-LF	CLM-6-LFN	CLM-6-LF-BO	CLM-6-LF-S	CLM-6-LFN-S	M6	10mm	1	5/32	45/64	5/16	900	180
CLM-8-LF	CLM-8-LFN	CLM-8-LF-BO	CLM-8-LF-S	CLM-8-LFN-S	M8	13mm	1-1/8	3/16	13/16	3/8	1,500	250
CLM-10-LF	CLM-10-LFN	CLM-10-LF-BO	CLM-10-LF-S	CLM-10-LFN-S	M10	17mm	1-1/4	3/16	7/8	13/32	2,600	300
CLM-12-LF	CLM-12-LFN	CLM-12-LF-BO	CLM-12-LF-S	CLM-12-LFN-S	M12	19mm	1-7/8	1/4	1-1/8	1/2	3,800	700
CLM-16-LF	CLM-16-LFN	CLM-16-LF-BO	CLM-16-LF-S	CLM-16-LFN-S	M16	24mm	2-1/2	5/16	1-1/4	1/2	7,200	1,200
CLM-20-LF	CLM-20-LFN	CLM-20-LF-BO	CLM-20-LF-S	CLM-20-LFN-S	M20	30mm	3	1/2	1-1/2	5/8	11,000	1,800

*Safe static load with stud securely mounted in a plate at least one-stud-diameter thick, at maximum stud extension (2:1 safety factor). Leveling Feet are rated with the same-length stud as on Stud Leveling Feet. Load capacity will drop significantly with longer studs.

Rubber Pad Covers fit over the bottom of Leveling Feet. These pad covers provide increased gripping to prevent sliding on sloped or uneven surfaces. They reduce walking and transmitted machine vibrations. Durable PVC material. Note: load capacity will be reduced with Rubber Pad Covers. See table below.



**Rubber Pad Covers
for Leveling Feet**



RUBBER PAD COVERS

PART NO.	FITS LEVELING FEET	A DIA	B	C DIA	D	LOAD RATING LBS)
CL-6-RPC	3/8-16 and M10	1-1/2	.40	1.22	1/8	300
CL-8-RPC	1/2-13 and M12	2-1/8	.46	1.85		700
CL-10-RPC	5/8-11 and M16	2-3/4	.52	2.47		1,200
CL-12-RPC	3/4-10 and M20	3-1/4	.72	3.00		1,800

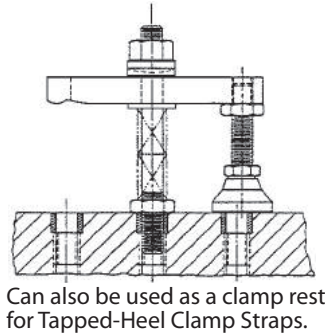
STUD LEVELING FEET

STEEL: 12L14, CARBURIZED-HARDENED (BODY ONLY), ZINC PLATED YELLOW CHROMATE OR BLACK OXIDE FINISH
 STAINLESS STEEL: 300 SERIES. DELRIN® PAD: WHITE DELRIN® 500.

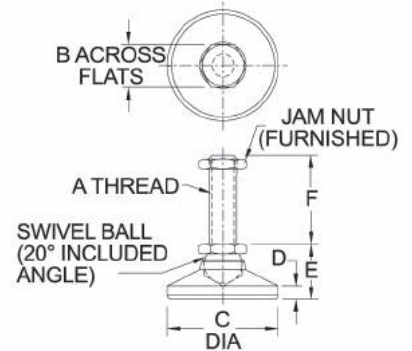


High-quality, heavy-duty leveling foot with large-diameter pad and integral stud. Stud and ball are one solid piece. Large ball provides high load capacity with a 20° total swivel angle.

* Safe static load with stud securely mounted in a plate at least one-stud-diameter thick, at maximum stud extension (2:1 safety factor). Load capacity will drop significantly with longer studs.



Can also be used as a clamp rest for Tapped-Heel Clamp Straps.



INCH

PART NO. STEEL ZINC PLATED	PART NO. STEEL ZINC PLATED DELRIN® PAD	PART NO. STEEL BLACK OXIDE	PART NO. STAINLESS	PART NO. STAINLESS DELRIN® PAD	A	B	C DIA	D	E	F	LOAD RATING (LBS)*	
											STEEL & STAINLESS	DELRIN®
CL-3-SLF	CL-3-SLFN	CL-3-SLF-BO	CL-3-SLF-S	CL-3-SLFN-S	#10-32	3/8	3/4	7/64	17/32	1	700	150
CL-3-SLF-2	CL-3-SLFN-2	CL-3-SLF-2-BO	CL-3-SLF-2-S	CL-3-SLFN-2-S							200	
CL-4-SLF	CL-4-SLFN	CL-4-SLF-BO	CL-4-SLF-S	CL-4-SLFN-S	1/4-20	1/2	1	5/32	45/64	1-1/4	1,000	200
CL-4-SLF-2.5	CL-4-SLFN-2.5	CL-4-SLF-2.5-BO	CL-4-SLF-2.5-S	CL-4-SLFN-2.5-S							250	
CL-5-SLF	CL-5-SLFN	CL-5-SLF-BO	CL-5-SLF-S	CL-5-SLFN-S	5/16-18	9/16	1-1/8	3/16	13/16	2	1,500	250
CL-5-SLF-4	CL-5-SLFN-4	CL-5-SLF-4-BO	CL-5-SLF-4-S	CL-5-SLFN-4-S							400	
CL-6-SLF	CL-6-SLFN	CL-6-SLF-BO	CL-6-SLF-S	CL-6-SLFN-S	3/8-16	5/8	1-1/4	3/16	7/8	2	2,300	300
CL-6-SLF-4	CL-6-SLFN-4	CL-6-SLF-4-BO	CL-6-SLF-4-S	CL-6-SLFN-4-S							600	
CL-8-SLF	CL-8-SLFN	CL-8-SLF-BO	CL-8-SLF-S	CL-8-SLFN-S	1/2-13	3/4	1-7/8	1/4	1-1/8	2	4,200	700
CL-8-SLF-4	CL-8-SLFN-4	CL-8-SLF-4-BO	CL-8-SLF-4-S	CL-8-SLFN-4-S							1,100	
CL-10-SLF	CL-10-SLFN	CL-10-SLF-BO	CL-10-SLF-S	CL-10-SLFN-S	5/8-11	15/16	2-1/2	5/16	1-1/4	2	6,600	1,200
CL-10-SLF-4	CL-10-SLFN-4	CL-10-SLF-4-BO	CL-10-SLF-4-S	CL-10-SLFN-4-S							1,700	
CL-12-SLF	CL-12-SLFN	CL-12-SLF-BO	CL-12-SLF-S	CL-12-SLFN-S	3/4-10	1-1/8	3	1/2	1-1/2	2	10,000	1,800
CL-12-SLF-4	CL-12-SLFN-4	CL-12-SLF-4-BO	CL-12-SLF-4-S	CL-12-SLFN-4-S							2,500	
CL-16-SLF	—	CL-16-SLF-BO	CL-16-SLF-S	—	1"-8	1-1/2	4	13/32	1-7/8	4-1/4	18,000	—
CL-16-SLF-8	—	CL-16-SLF-8-BO	CL-16-SLF-8-S	—							8	

METRIC

CLM-6-SLF	CLM-6-SLFN	CLM-6-SLF-BO	CLM-6-SLF-S	CLM-6-SLFN-S	M6	10mm	1	5/32	45/64	1.57	900	180
CLM-8-SLF	CLM-8-SLFN	CLM-8-SLF-BO	CLM-8-SLF-S	CLM-8-SLFN-S	M8	13mm	1-1/8	3/16	13/16	1.97	1,500	250
CLM-10-SLF	CLM-10-SLFN	CLM-10-SLF-BO	CLM-10-SLF-S	CLM-10-SLFN-S	M10	17mm	1-1/4	3/16	7/8	2	2,600	300
CLM-12-SLF	CLM-12-SLFN	CLM-12-SLF-BO	CLM-12-SLF-S	CLM-12-SLFN-S	M12	19mm	1-7/8	1/4	1-1/8		3,800	700
CLM-16-SLF	CLM-16-SLFN	CLM-16-SLF-BO	CLM-16-SLF-S	CLM-16-SLFN-S	M16	24mm	2-1/2	5/16	1-1/4		7,200	1,200
CLM-20-SLF	CLM-20-SLFN	CLM-20-SLF-BO	CLM-20-SLF-S	CLM-20-SLFN-S	M20	30mm	3	1/2	1-1/2		11,000	1,800

SWIVEL PAD FEET

STEEL PAD: 12L14 STEEL, ZINC PLATED YELLOW CHROMATE OR BLACK OXIDE FINISH
 DELRIN® PAD: WHITE DELRIN 500. STAINLESS PAD: 300-SERIES STAINLESS STEEL
 STEEL NUT: 12L14 STEEL, CARBURIZED-HARDENED ZINC PLATED YELLOW CHROMATE OR BLACK OXIDE FINISH
 STAINLESS NUT: 300-SERIES STAINLESS STEEL



**Steel
Zinc Plated**



**Steel
Zinc Plated
with Delrin® Pad**



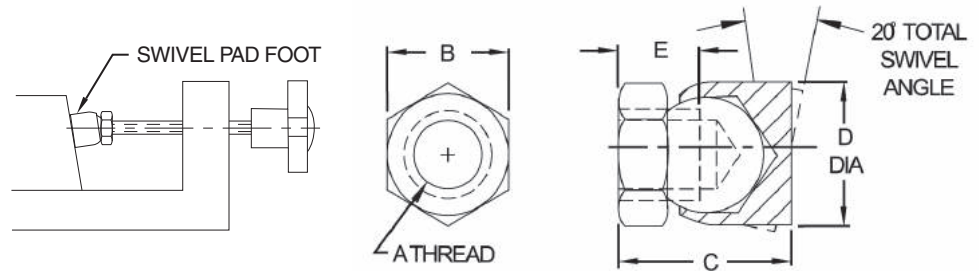
**Steel
Black Oxide Finish**



**Stainless
Steel**

5

Heavy-duty swivel foot pivots to contact sloped surfaces evenly. Large ball provides high load capacity with a 20° total swivel angle. Available in steel (zinc plated or black oxide finish), steel with a Delrin® pad, and stainless steel.



STEEL — ZINC PLATED (INCH)

PART NO.	A	B	C	D DIA	E
CL-4-SPF	1/4-20	1/2	5/8	5/8	5/16
CL-5-SPF	5/16-18	9/16	3/4	11/16	3/8
CL-6-SPF	3/8-16	5/8	13/16	3/4	
CL-8-SPF	1/2-13	3/4	15/16	7/8	7/16
CL-10-SPF	5/8-11	7/8	1	1	
CL-12-SPF	3/4-10	1-1/16	1-11/32	1-1/4	5/8

STEEL — ZINC PLATED (METRIC)

PART NO.	A	B	C	D DIA	E
CLM-6-SPF	M6	10mm	5/8	5/8	5/16
CLM-8-SPF	M8	13mm	3/4	11/16	3/8
CLM-10-SPF	M10	17mm	13/16	3/4	
CLM-12-SPF	M12	19mm	15/16	7/8	7/16
CLM-16-SPF	M16	24mm	1	1	
CLM-20-SPF	M20	30mm	1-11/32	1-1/4	5/8

STEEL — ZINC PLATED WITH DELRIN® PAD (INCH)

PART NO.	A	B	C	D DIA	E
CL-4-SPFN	1/4-20	1/2	5/8	5/8	5/16
CL-5-SPFN	5/16-18	9/16	3/4	11/16	3/8
CL-6-SPFN	3/8-16	5/8	13/16	3/4	
CL-8-SPFN	1/2-13	3/4	15/16	7/8	7/16
CL-10-SPFN	5/8-11	7/8	1	1	
CL-12-SPFN	3/4-10	1-1/16	1-11/32	1-1/4	5/8

STEEL — ZINC PLATED WITH DELRIN® PAD (METRIC)

PART NO.	A	B	C	D DIA	E
CLM-6-SPFN	M6	10mm	5/8	5/8	5/16
CLM-8-SPFN	M8	13mm	3/4	11/16	3/8
CLM-10-SPFN	M10	17mm	13/16	3/4	
CLM-12-SPFN	M12	19mm	15/16	7/8	7/16
CLM-16-SPFN	M16	24mm	1	1	
CLM-20-SPFN	M20	30mm	1-11/32	1-1/4	5/8

STEEL — BLACK OXIDE FINISH (INCH)

PART NO.	A	B	C	D DIA	E
CL-4-SPF-BO	1/4-20	1/2	5/8	5/8	5/16
CL-5-SPF-BO	5/16-18	9/16	3/4	11/16	3/8
CL-6-SPF-BO	3/8-16	5/8	13/16	3/4	
CL-8-SPF-BO	1/2-13	3/4	15/16	7/8	7/16
CL-10-SPF-BO	5/8-11	7/8	1	1	
CL-12-SPF-BO	3/4-10	1-1/16	1-11/32	1-1/4	5/8

STEEL — BLACK OXIDE FINISH (METRIC)

PART NO.	A	B	C	D DIA	E
CLM-6-SPF-BO	M6	10mm	5/8	5/8	5/16
CLM-8-SPF-BO	M8	13mm	3/4	11/16	3/8
CLM-10-SPF-BO	M10	17mm	13/16	3/4	
CLM-12-SPF-BO	M12	19mm	15/16	7/8	7/16
CLM-16-SPF-BO	M16	24mm	1	1	
CLM-20-SPF-BO	M20	30mm	1-11/32	1-1/4	5/8

STAINLESS STEEL (INCH)

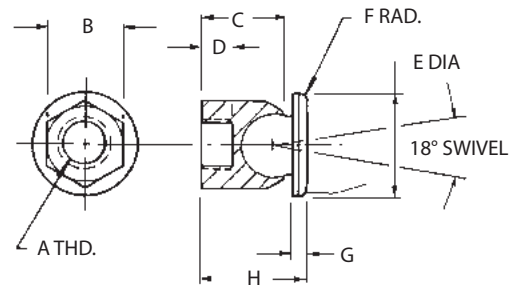
PART NO.	A	B	C	D DIA	E
CL-4-SPF-S	1/4-20	1/2	5/8	5/8	5/16
CL-5-SPF-S	5/16-18	9/16	3/4	11/16	3/8
CL-6-SPF-S	3/8-16	5/8	13/16	3/4	
CL-8-SPF-S	1/2-13	3/4	15/16	7/8	7/16
CL-10-SPF-S	5/8-11	7/8	1	1	
CL-12-SPF-S	3/4-10	1-1/16	1-11/32	1-1/4	5/8

STAINLESS STEEL (METRIC)

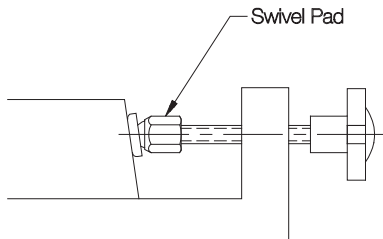
PART NO.	A	B	C	D DIA	E
CLM-6-SPF-S	M6	10mm	5/8	5/8	5/16
CLM-8-SPF-S	M8	13mm	3/4	11/16	3/8
CLM-10-SPF-S	M10	17mm	13/16	3/4	
CLM-12-SPF-S	M12	19mm	15/16	7/8	7/16
CLM-16-SPF-S	M16	24mm	1	1	
CLM-20-SPF-S	M20	30mm	1-11/32	1-1/4	5/8

SWIVEL PADS

PAD: 12L14 STEEL, CARBURIZED-HARDENED, BLACK OXIDE FINISH OR DELRIN®
 NUT: 12L14 STEEL, BLACK OXIDE FINISH



Heavy-duty swivel foot pivots to contact sloped surfaces evenly. Large ball provides high load capacity with a 18° total swivel angle. Choice of steel or Delrin® pad.



INCH

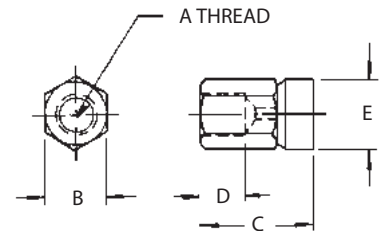
PART NO. STEEL PAD	PART NO. DELRIN® PAD	A	B	C	D	E DIA	F	G	H
CL-1-SPA	CL-1-SPAN	1/4-20	1/2	.50	.23	5/8	.06	.10	.67
CL-2-SPA	CL-2-SPAN	5/16-18	9/16	.58	.27	3/4			.75
CL-3-SPA	CL-3-SPAN	3/8-16	5/8	.71	.29	7/8	.09	.12	.91
CL-4-SPA	CL-4-SPAN	1/2-13	3/4	.81	.31	1			1.05
CL-5-SPA	CL-5-SPAN	5/8-11	7/8	1.00	.35	1-1/8	.15	.20	1.25
CL-6-SPA	—	3/4-10	1-1/16	1.12		1-1/4			1.38
CL-7-SPA	—	1-8	1-3/8	1.50		1-5/8			1.82

METRIC

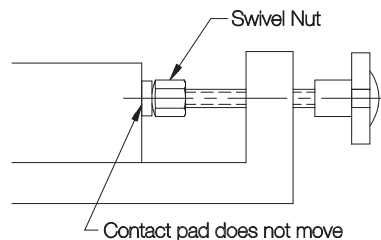
PART NO.	STEEL PAD	M	A	B	C	D	E DIA	F	G	H
CLM-6-SPA	—	M6	10mm	.56	.23	1/2	.04	.08	.67	
CLM-8-SPA	—	M8	13mm	.58	.22	3/4	.06	.10	.75	
CLM-10-SPA	—	M10	17mm	.71	.29	7/8			.12	.91
CLM-12-SPA	—	M12	19mm	.81	.31	1	.09	.15	1.05	
CLM-16-SPA	—	M16	24mm	1.00	.35	1-1/8			1.25	
CLM-20-SPA	—	M20	30mm	1.12		1-1/4			1.38	

SWIVEL NUTS

NUT: 12L14 STEEL, CARBURIZED-HARDENED, BLACK OXIDE FINISH
 PAD: 12L14 STEEL, BLACK OXIDE FINISH



Nut turns freely without pivoting while pad remains stationary, to avoid moving or marring the workpiece.



INCH

PART NO.	A	B	C	D	E DIA
CL-4-SN	1/4-20	5/16	7/16	3/16	3/8
CL-5-SN	5/16-18	3/8	15/32	1/4	7/16
CL-6-SN	3/8-16	7/16	17/32	17/64	1/2
CL-8-SN	1/2-13	5/8	21/32	3/8	11/16
CL-10-SN	5/8-11	3/4	27/32	7/16	7/8
CL-12-SN	3/4-10	7/8	1	1/2	1

METRIC

PART NO.	M	A	B	C	D	E DIA
CLM-6-SN	M6	8mm	.43	3/16	.39	
CLM-10-SN	M10	13mm	.55	17/64	.51	
CLM-12-SN	M12	17mm	.67	3/8	.71	

ROUND GRIPPERS

HARDENED TOOL STEEL: M-2 TOOL STEEL, HEAT TREATED RC 60-62, BLACK OXIDE FINISH
 CARBIDE TIPPED: ALLOY STEEL, HEAT TREATED, WITH BRAZED CARBIDE INSERT, BLACK OXIDE FINISH
 SOLID CARBIDE: CARBIDE WITH STEEL THREAD INSERT
 ABRASIVE DIAMOND: 17-4PH STAINLESS STEEL, HEAT TREATED RC 43-46, WITH FUSED ABRASIVE DIAMOND SURFACE
 BONDED URETHANE: 300-SERIES STAINLESS STEEL WITH BONDED URETHANE SURFACE



Hardened Tool Steel (Serrated)



Carbide Tipped (Serrated)



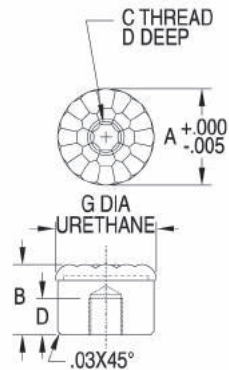
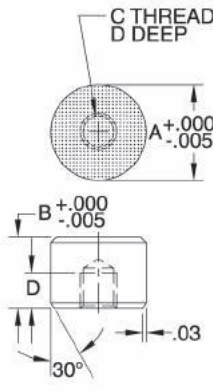
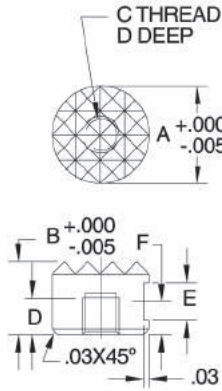
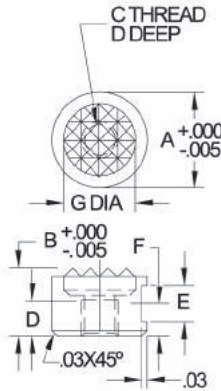
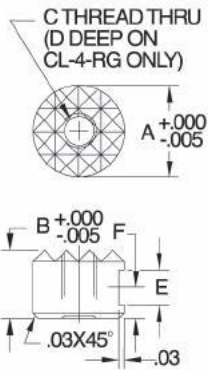
Solid Carbide (Serrated)



Abrasive Diamond



Bonded Urethane



Round Grippers are replaceable inserts that provide additional holding force and/or wear resistance when installed in a fixture. Fasten from behind with a socket-head cap screw, or clamp with a setscrew on the O.D. locking flat (where provided). Grippers can be recess-mounted in a flat-bottom hole, or surface mounted to use as a rest pad. Round Grippers can also be installed in Gripper Swivel Pads and Gripper Swivel Contact Bolts.

Abrasive-diamond grippers have an abrasive-diamond surface permanently fused to a hardened stainless steel pad. This abrasive surface, comparable to a 100-grit abrasive, provides significant holding force with relatively low clamping pressure and minimal surface marring. This diamond-particle surface also offers excellent wear resistance.

Serrated grippers are designed to slightly penetrate the workpiece to significantly increase gripping force, rather than relying on static friction alone. The hardened-tool-steel version is the most economical and impact resistant. The carbide-tipped version is still economical and impact resistant while providing extra durability. The solid-carbide version is the most durable.

Bonded-urethane grippers have a urethane surface permanently bonded to a stainless steel pad. This non-marking, non-staining urethane provides excellent protection against damage to finished workpieces. The bubbled texture of the urethane surface offers firm gripping, yet allows air to escape so that no suction is created under load. Urethane also provides excellent wear resistance, and is available in three firmnesses to suit a wide variety of applications.

INCH

PART NO. HARDENED TOOL STEEL (SERRATED)	PART NO. CARBIDE TIPPED (SERRATED)	PART NO. SOLID CARBIDE (SERRATED)	PART NO. ABRASIVE DIAMOND	A DIA	B	C	D	E	F	G DIA	SERRATIONS	PART NO. BONDED URETHANE	URETHANE		
													B	D	G DIA
CL-4-RG	—	—	—	1/4	3/8	#8-32	3/16	—	—	—	Extra Fine	—	—	—	—
CL-6-RG	CL-6-RGT	—	CL-6-RGD	3/8		#10-32		5/16	.094x90°	CL-6-RGU-1*	1/2	1/4	.39		
CL-8-RG	CL-8-RGT	CL-8-RGC	CL-8-RGD	1/2		3/8		CL-8-RGU-1*							
CL-10-RG	CL-10-RGT	CL-10-RGC	CL-10-RGD	5/8		1/2		CL-10-RGU-1*							
CL-12-RG	CL-12-RGT	CL-12-RGC	CL-12-RGD	3/4		5/8		CL-12-RGU-1*							
CL-16-RG	CL-16-RGT	—	CL-16-RGD	1	3/4	Fine	.125x90°	CL-16-RGU-1*	3/8	.83					
													1.06		

METRIC

CLM-10-RG	CLM-10-RGT	—	CLM-10-RGD	.394 (10mm)	.3937 (10mm)	M5	.18	.185	.177	—	Extra Fine	CLM-10-RGU-1*	.472 (12mm)	.24	.39
CLM-12-RG	CLM-12-RGT	—	CLM-12-RGD	.472 (12mm)							Fine	.094x90°			CLM-12-RGU-1*
CLM-16-RG	CLM-16-RGT	—	CLM-16-RGD	.630 (16mm)		M6					.125x90°	CLM-16-RGU-1*			.63
CLM-20-RG	CLM-20-RGT	—	CLM-20-RGD	.787 (20mm)							CLM-20-RGU-1*	.83			
CLM-25-RG	CLM-25-RGT	—	CLM-25-RGD	.984 (25mm)							CLM-25-RGU-1*	1.06			

* -1=35 Durometer, -2=60 Durometer, -3=80 Durometer

ROUND GRIPPERS

CARBIDE TIPPED: ALLOY STEEL, HEAT TREATED, WITH BRAZED CARBIDE INSERT, BLACK OXIDE FINISH
 HARDENED STEEL: 8620 STEEL, CARBURIZED-HARDENED, BLACK OXIDE FINISH
 HARDENED STAINLESS STEEL: 17-4 STAINLESS STEEL, HEAT TREATED RC 43-46
 DELRIN®: WHITE DELRIN® 500



Carbide Tipped (Flat)



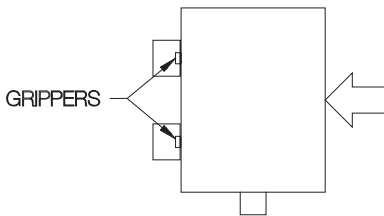
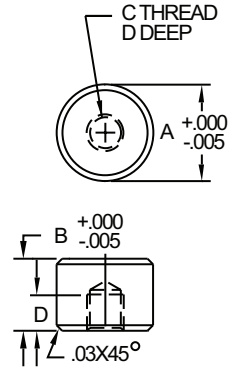
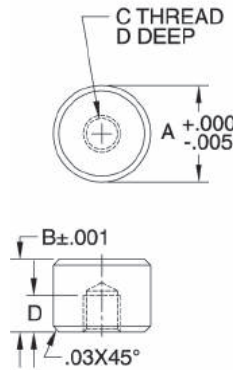
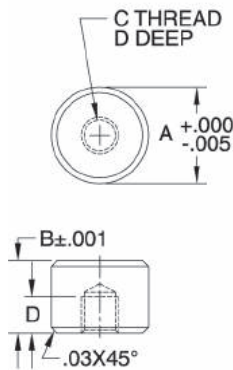
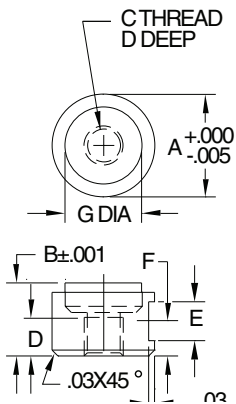
Hardened Steel (Flat)



Hardened Stainless Steel (Flat)

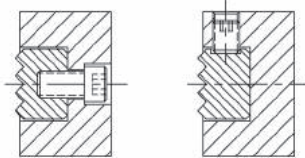


Delrin® (Flat)



Serrated grippers recessed into a fixture's locating surfaces dramatically increase resistance to movement by embedding themselves in the workpiece.

Flat grippers can be used to provide additional wear resistance, or as precision rest pads. The carbide-tipped version is the most durable. The hardened-steel version is the most economical and impact resistant. The hardened-stainless-steel version provides high strength and excellent corrosion resistance. The Delrin® version helps avoid marring finished workpieces.



INCH

PART NO. CARBIDE TIPPED (FLAT)	PART NO. HARDENED STEEL (FLAT)	PART NO. HARDENED STAINLESS (FLAT)	PART NO. DELRIN® (FLAT)	A DIA	B	C	D	E	F	G DIA
CL-6-RGFT	CL-6-RGF	CL-6-RGF-S	CL-6-RGFN	3/8	3/8	#10-32	3/8	3/16	11/64	5/16
CL-8-RGFT	CL-8-RGF	CL-8-RGF-S	CL-8-RGFN	1/2						3/8
CL-10-RGFT	CL-10-RGF	CL-10-RGF-S	CL-10-RGFN	5/8		1/4-28				5/8
CL-12-RGFT	CL-12-RGF	CL-12-RGF-S	CL-12-RGFN	3/4						3/4
CL-16-RGFT	CL-16-RGF	CL-16-RGF-S	CL-16-RGFN	1						1

METRIC

—	CLM-10-RGF	CLM-10-RGF-S	CLM-10-RGFN	.394 (10mm)	.3937 (10mm)	M5	.18	.185	.177	—
—	CLM-12-RGF	CLM-12-RGF-S	CLM-12-RGFN	.472 (12mm)						
—	CLM-16-RGF	CLM-16-RGF-S	CLM-16-RGFN	.630 (16mm)		M6				
—	CLM-20-RGF	CLM-20-RGF-S	CLM-20-RGFN	.787 (20mm)						
—	CLM-25-RGF	CLM-25-RGF-S	CLM-25-RGFN	.984 (25mm)						

Round Grippers can be fastened from behind with a Socket-Head Cap Screw. Some gripper types also have an O.D. locking flat for fastening with a set screw.

ROUND GRIPPERS (COUNTERBORED)

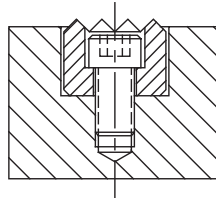
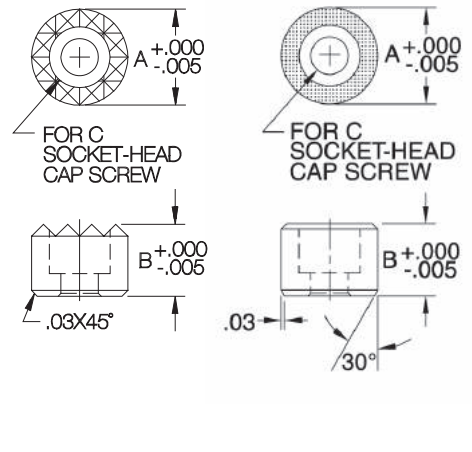
HARDENED TOOL STEEL: M-2 TOOL STEEL, HEAT TREATED RC 60-62, BLACK OXIDE FINISH
 ABRASIVE DIAMOND: 17-4 STAINLESS STEEL, HEAT TREATED RC 43-46, WITH ABRASIVE DIAMOND SURFACE



**Hardened Tool Steel
(Serrated)**



Abrasive Diamond



5

Counterbored Round Grippers are ideal for blind-hole installation and surface mounting. Fasten with a standard socket-head cap screw. The serrated version, made of hardened tool steel, is designed to slightly penetrate the workpiece to significantly increase gripping force. The abrasive-diamond version has an abrasive-diamond surface permanently fused to a hardened stainless steel pad. This abrasive surface, comparable to a 100-grit abrasive, provides significant holding force with relatively low clamping pressure and minimal surface marring. This diamond-particle surface also offers excellent wear resistance.

INCH

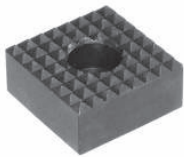
PART NO. HARDENED TOOL STEEL (SERRATED)	PART NO. DIAMOND ABRASIVE	A DIA	B	C	SERRATIONS (HARDENED TOOL STEEL VERSION)	
CL-8-RGB	CL-8-RGBD	1/2	3/8	#8	Fine	.125x90°
CL-10-RGB	CL-10-RGBD	5/8				
CL-12-RGB	CL-12-RGBD	3/4	1/2	#10		
CL-16-RGB	CL-16-RGBD	1				

METRIC

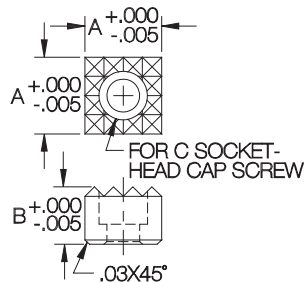
CLM-12-RGB	CLM-12-RGBD	.472 (12mm)	.394 (10mm)	M4	Fine	.125x90°
CLM-16-RGB	CLM-16-RGBD	.630 (16mm)				
CLM-20-RGB	CLM-20-RGBD	.787 (20mm)	.472 (12mm)	M5		
CLM-25-RGB	CLM-25-RGBD	.984 (25mm)				

SQUARE GRIPPERS (COUNTERBORED)

M-2 TOOL STEEL, HEAT TREATED RC 60-62, BLACK OXIDE FINISH



**Hardened Tool Steel
(Serrated)**



Counterbored Round Grippers are ideal for blind-hole installation and surface mounting. Fasten with a standard socket-head cap screw.

COUNTERBORED (INCH)

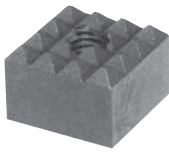
PART NO. HARDENED TOOL STEEL (SERRATED)	A	B	C	SERRATIONS	
CL-8-SGB	1/2	1/2	#10	Fine	.125x90°
CL-12-SGB	3/4				
CL-16-SGB	1	1/4			

COUNTERBORED (METRIC)

CLM-12-SGB	.472 (12mm)	.472 (12mm)	M4	Fine	.125x90°
CLM-20-SGB	.787 (20mm)				
CLM-25-SGB	.984 (25mm)	M6			

SQUARE GRIPPERS

HARDENED TOOL STEEL: M-2 TOOL STEEL, HEAT TREATED RC 60-62, BLACK OXIDE FINISH
 CARBIDE TIPPED: ALLOY STEEL, HEAT TREATED, WITH BRAZED CARBIDE INSERT, BLACK OXIDE FINISH
 SOLID CARBIDE: CARBIDE WITH STEEL THREAD INSERT



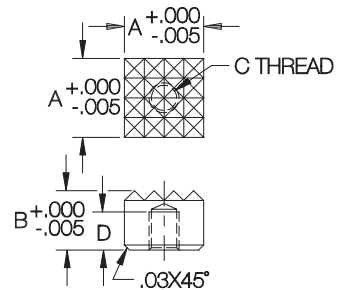
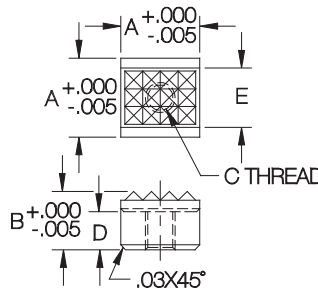
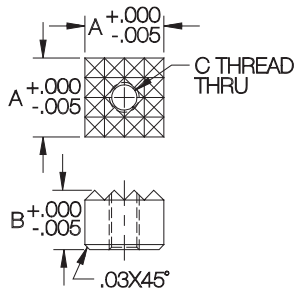
Hardened Tool Steel (Serrated)



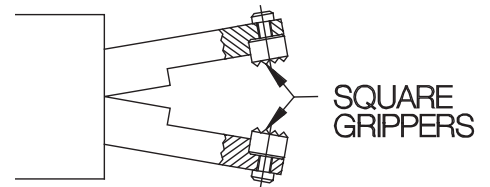
Carbide Tipped (Serrated)



Solid Carbide (Serrated)



Square Grippers are similar to Round Grippers, but their shape is useful when positive resistance to rotation is required (they can be mounted against a step to prevent rotation). These serrated grippers are hard, replaceable inserts that provide additional holding force and/or wear resistance when installed in a fixture. They are designed to slightly penetrate the workpiece to significantly increase gripping force, rather than relying on static friction alone. The hardened-tool-steel version is the most economical and impact resistant. The carbide-tipped version is still economical and impact resistant while providing extra durability. The solid-carbide version is the most durable.



Square Grippers can be mounted against a step for positive resistance to rotation.

INCH

PART NO. HARDENED TOOL STEEL (SERRATED)	PART NO. CARBIDE TIPPED (SERRATED)	PART NO. SOLID CARBIDE (SERRATED)	A	B	C	D	E	SERRATIONS
CL-6-SG	—	—	3/8	3/8	#10-32	—	—	XFine .094x90°
CL-8-SG	CL-8-SGT	CL-8-SGC	1/2			3/16	13/32	
CL-12-SG	—	—	3/4			—	—	Fine .125x90°
CL-16-SG	—	—	1			1/4-28	—	

INCH

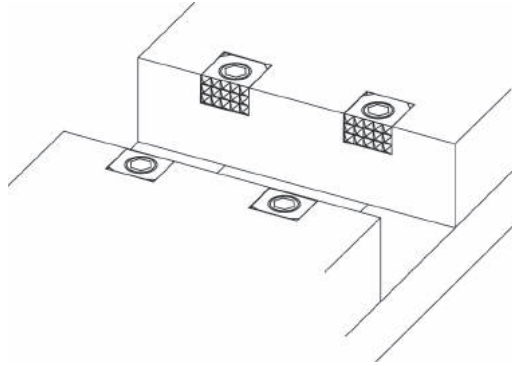
CLM-10-SG	—	—	.394(10mm)	.394 (10mm)	M5	—	—	XFine .094x90°
CLM-12-SG	CLM-12-SGT	—	.472(12mm)			3/16	13/32	
CLM-20-SG	—	—	.787(20mm)			—	—	Fine .125x90°
CLM-25-SG	—	—	.984(25mm)			—	—	

EDGE GRIPPERS

M-2 TOOL STEEL, HEAT TREATED RC 60-62, BLACK OXIDE FINISH



**Serrated
Hardened Tool Steel**



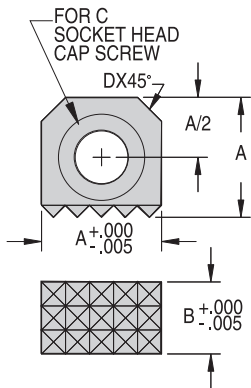
Edge Grippers are ideal for mounting at the top edge of a clamping face such as a vise jaw.

Edge Grippers are helpful for applications where traditional face-mounted grippers are difficult to install. They have a useful flat profile because the mounting screw is parallel to the serrated face. These serrated grippers are hard, replaceable inserts used to provide additional holding force and/or wear resistance when installed in a fixture. They are designed to slightly penetrate the workpiece to significantly increase gripping force, rather than relying on static friction alone. Edge Grippers should be mounted in a flat-bottom recess that provides support behind the gripper. Fasten with a standard socket-head cap screw (on the largest three sizes, a low-head cap screw is required). The serrated face should project 50 to 100% of serration height for maximum effectiveness (serration height is .062" on grippers with fine serrations, .047" on grippers with extra-fine serrations, and .031" on grippers with super-fine serrations).

5

INCH

PART NO.	A	B	SERRATIONS	C	COUNTERBORE DEPTH	D
CL-6-EG-4	3/8	1/4	Extra Fine .094x90°	#6	.146	1/16
CL-6-EG-4-SF			Super Fine .062x90°			
CL-6-EG-6			Extra Fine .094x90°			
CL-6-EG-6-SF	1/2	3/8	Super Fine .062x90°	#8	.170	3/32
CL-8-EG-4			Fine .125x90°			
CL-8-EG-4-EF	1/2	3/8	Extra Fine .094x90°	#8	.175	3/32
CL-8-EG-6			Fine .125x90°			
CL-8-EG-6-EF			Extra Fine .094x90°			
CL-8-EG-8	5/8	1/2	Fine .125x90°	1/4 LHCS	.130	1/8
CL-8-EG-8-EF			Extra Fine .094x90°			
CL-10-EG-4			Fine .125x90°			
CL-10-EG-4-EF	5/8	1/4	Extra Fine .094x90°	1/4 LHCS	.130	1/8
CL-10-EG-6			Fine .125x90°			
CL-10-EG-6-EF			Extra Fine .094x90°			
CL-10-EG-8	3/4	1/2	Fine .125x90°	5/16 LHCS	.161	1/8
CL-10-EG-8-EF			Extra Fine .094x90°			
CL-12-EG-4			Fine .125x90°			
CL-12-EG-4-EF	3/4	1/4	Extra Fine .094x90°	5/16 LHCS	.161	1/8
CL-12-EG-6			Fine .125x90°			
CL-12-EG-6-EF			Extra Fine .094x90°			
CL-12-EG-8	1	3/8	Fine .125x90°	3/8 LHCS	.194	1/8
CL-12-EG-8-EF			Extra Fine .094x90°			
CL-16-EG-6			Fine .125x90°			
CL-16-EG-6-EF	1	3/8	Extra Fine .094x90°	3/8 LHCS	.194	1/8
CL-16-EG-8			Fine .125x90°			
CL-16-EG-8-EF	1	1/2	Extra Fine .094x90°			



METRIC

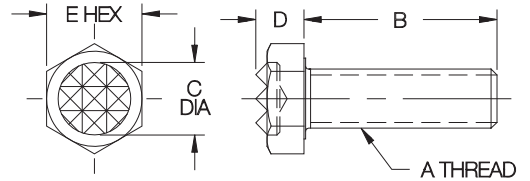
CLM-10-EG-6	.394(10mm)	.236(6mm)	Extra Fine	.094x90°	M3 or #6	.148	.06
CLM-10-EG-10		.394(10mm)					
CLM-12-EG-6	.472(12mm)	.236(6mm)	Fine	.125x90°	M4 or #8	.160	.09
CLM-12-EG-10		.394(10mm)					
CLM-12-EG-12		.472(12mm)					
CLM-16-EG-6	.630(16mm)	.236(6mm)	Fine	.125x90°	M6 or 1/4 LHCS	.165	.13
CLM-16-EG-10		.394(10mm)					
CLM-16-EG-12		.472(12mm)					
CLM-20-EG-6	.787(20mm)	.236(6mm)	Fine	.125x90°	M8 or 5/16 LHCS	.200	.13
CLM-20-EG-10		.394(10mm)					
CLM-20-EG-12		.472(12mm)					
CLM-25-EG-10	.984(25mm)	.394(10mm)	Fine	.125x90°	M10 or 3/8 LHCS	.260	.13
CLM-25-EG-12		.472(12mm)					

GRIPPER CONTACT BOLTS

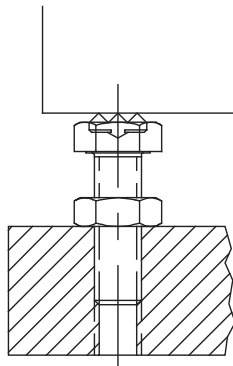
STEEL, CARBURIZED-HARDENED, BLACK OXIDE FINISH, WITH BRAZED CARBIDE GRIPPER



**Carbide Tipped
(Serrated)**



Fully threaded contact bolt with a carbide-tipped gripper head. Can be used as an adjustable support, or as a contact bolt in a clamp. Available in thread sizes from 1/4-20 to 5/8-11 (M6 to M16 in metric) each in a choice of lengths.



INCH

PART NO.	A	B	C DIA	D	E	SERRATIONS	
CL-405-GCB	1/4-20	1/2	5/16	13/64	7/16	Extra Fine	.094x90°
CL-410-GCB		1					
CL-505-GCB	5/16-18	1/2	3/8	1/4	1/2	Fine	.125x90°
CL-510-GCB		1					
CL-515-GCB		1-1/2					
CL-605-GCB	3/8-16	1/2	1/2	9/32	9/16	Fine	.125x90°
CL-610-GCB		1					
CL-615-GCB		1-1/2					
CL-810-GCB	1/2-13	1	5/8	23/64	3/4	Fine	.125x90°
CL-815-GCB		1-1/2					
CL-1010-GCB	5/8-11	1	3/4	7/16	15/16	Fine	.125x90°
CL-1020-GCB		2					

METRIC

PART NO.	A	B	C DIA	D	E	SERRATIONS	
CLM-612-GCB	M6	.47	5/16	.20	10mm	Extra Fine	.094x90°
CLM-625-GCB		.98					
CLM-812-GCB	M8	.47	3/8	.25	13mm	Fine	.125x90°
CLM-825-GCB		.98					
CLM-835-GCB		1.38					
CLM-1012-GCB	M10	.47	1/2	.30	17mm	Fine	.125x90°
CLM-1025-GCB		.98					
CLM-1040-GCB		1.57					
CLM-1225-GCB	M12	.98	5/8	.34	19mm	Fine	.125x90°
CLM-1240-GCB		1.57					
CLM-1635-GCB	M16	1.38	3/4	.43	24mm	Fine	.125x90°
CLM-1650-GCB		1.97					

GRIPPER SWIVEL CONTACT BOLTS

BODY AND GRIPPER SCREW: STEEL, CARBURIZED-HARDENED, BLACK OXIDE FINISH
 SWIVEL BALL: 440C STAINLESS STEEL, HEAT TREATED. O-RING: RUBBER
 INFO+: SEE PAGES 172-173 FOR ROUND GRIPPER MATERIAL SPECIFICATIONS



Hardened Tool Steel (Serrated)

Carbide Tipped (Serrated)

Solid Carbide (Serrated)

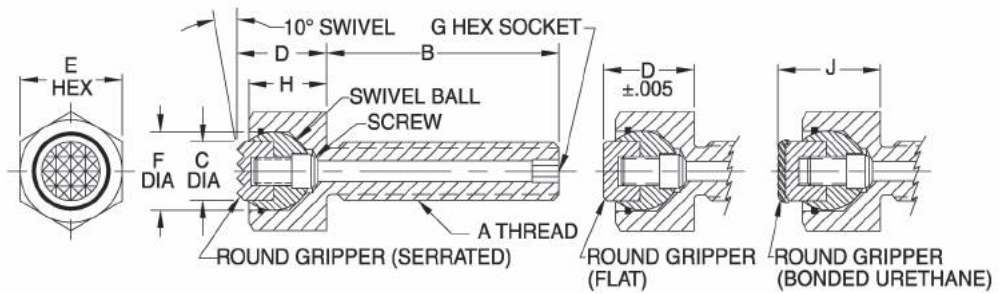
Abrasive Diamond

Bonded Urethane

Carbide Tipped (Flat)

Hardened Steel or Stainless or Delrin® (Flat)

Threaded contact bolt with a built-in swivel ball to hold a Round Gripper. This swivel ball, held by a retaining ring, is removable to allow installing any of the eleven different gripper types (order gripper separately). A fastening screw is furnished with the contact bolt. This screw serves as a positive stop to prevent the ball from swiveling too far. Can be used as a contact bolt, or as a support. Available in thread sizes from 3/8-16 to 1"-8 (M10 to M24 in metric), most in a choice of several lengths.



BODY AND GRIPPER — ORDER SEPARATELY (INCH)

PART NO. BODY WITHOUT GRIPPER	PART NO. — ROUND GRIPPER							A	B	C DIA	D	E	F DIA	G	H	J	SERRATIONS	
	HARDENED TOOL STEEL (SERRATED)	CARBIDE TIPPED (SERRATED)	SOLID CARBIDE (SERRATED)	ABRASIVE DIAMOND	BONDED URETHANE	CARBIDE TIPPED (FLAT)	STEEL, SS, OR DELRIN® (FLAT)											
CL-605-GSB	CL-6-RG	CL-6-RGT	—	CL-6-RGD	CL-6-RGU-1	CL-6-RGFT	CL-6-RGF	3/8-16	1/2	3/8	5/8	5/8	1/2	1/8	1/2	3/4	Extra Fine	.094x90°
CL-610-GSB					CL-6-RGU-2		CL-6-RGF-S		1									
CL-615-GSB					CL-6-RGU-3		CL-6-RGFN		1-1/2									
CL-810-GSB	CL-8-RG	CL-8-RGT	CL-8-RGC	CL-8-RGD	CL-8-RGU-1	CL-8-RGFT	CL-8-RGF	1/2-13	1	1/2	3/4	13/16	5/8	3/16	5/8	7/8		
CL-815-GSB					CL-8-RGU-2		CL-8-RGF-S		1-1/2									
					CL-8-RGU-3		CL-8-RGFN											
CL-1010-GSB	CL-10-RG	CL-10-RGT	CL-10-RGC	CL-10-RGD	CL-10-RGU-1	CL-10-RGFT	CL-10-RGF	5/8-11	1	5/8	13/16	15/16	3/4	1/4	11/16	15/16	Fine	.125x90°
CL-1020-GSB					CL-10-RGU-2		CL-10-RGF-S		2									
CL-1020-GSB					CL-10-RGU-3		CL-10-RGFN											
CL-1210-GSB	CL-12-RG	CL-12-RGT	CL-12-RGC	CL-12-RGD	CL-12-RGU-1	CL-12-RGFT	CL-12-RGF	3/4-10	1	3/4	7/8	1-1/8	7/8	5/16	3/4	1		
CL-1210-GSB					CL-12-RGU-2		CL-12-RGF-S		2-1/2									
CL-1225-GSB					CL-12-RGU-3		CL-12-RGFN											
CL-1620-GSB	CL-16-RG	CL-16-RGT	—	CL-16-RGD	CL-16-RGU-1	CL-16-RGFT	CL-16-RGF	1"-8	2	1	1-1/8	1-1/2	1-1/8	3/8	1	1-1/4		

BODY AND GRIPPER — ORDER SEPARATELY (METRIC)

CLM-1015-GSB	CLM-10-RG	CLM-10-RGT	—	CLM-10-RGD	CLM-10-RGU-1	—	CLM-10-RGF	M10	.59	.394	.669	17mm	.51	3mm	.51	.75	Extra Fine	.094x90°
CLM-1030-GSB					CLM-10-RGU-2		CLM-10-RGF-S		1.18									
					CLM-10-RGU-3		CLM-10-RGFN											
CLM-1220-GSB	CLM-12-RG	CLM-12-RGT	—	CLM-12-RGD	CLM-12-RGU-1	—	CLM-12-RGF	M12	.79	.472	.748	19mm	.59	5mm	.59	.83		
CLM-1240-GSB					CLM-12-RGU-2		CLM-12-RGF-S		1.57									
					CLM-12-RGU-3		CLM-12-RGFN											
CLM-1625-GSB	CLM-16-RG	CLM-16-RGT	—	CLM-16-RGD	CLM-16-RGU-1	—	CLM-16-RGF	M16	.98	.630	.906	24mm	.79	6mm	.75	.98	Fine	.125x90°
CLM-1650-GSB					CLM-16-RGU-2		CLM-16-RGF-S		1.97									
					CLM-16-RGU-3		CLM-16-RGFN											
CLM-2030-GSB	CLM-20-RG	CLM-20-RGT	—	CLM-20-RGD	CLM-20-RGU-1	—	CLM-20-RGF	M20	1.18	.787	.945	30mm	.91	8mm	.79	1.02		
CLM-2030-GSB					CLM-20-RGU-2		CLM-20-RGF-S		2.36									
CLM-2060-GSB					CLM-20-RGU-3		CLM-20-RGFN											
CLM-2440-GSB	CLM-25-RG	CLM-25-RGT	—	CLM-25-RGD	CLM-25-RGU-1	—	CLM-25-RGF	M24	1.57	.984	1.181	36mm	1.10	10mm	1.02	1.26		

GRIPPER SWIVEL CONTACT BOLTS

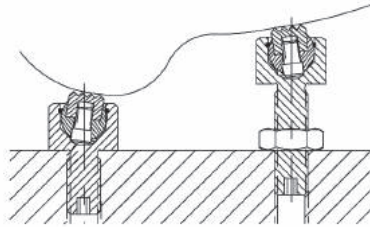
BODY: STEEL, CARBURIZED-HARDENED, BLACK OXIDE FINISH

O-RING: RUBBER

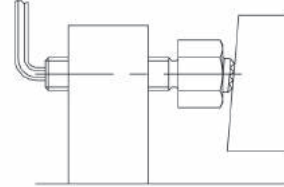
SERRATED SWIVEL BALL: HIGH-SPEED TOOL STEEL, BLACK OXIDE FINISH

FLAT SWIVEL BALL: STEEL, HARDENED, BLACK OXIDE FINISH

FLAT DELRIN® SWIVEL BALL: WHITE DELRI® 500



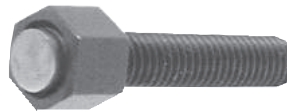
Gripper Swivel Contact Bolts are ideal as either fixed or adjustable supports under workpieces with curved or sloped surfaces.



Gripper Swivel Contact Bolts can also be used as screw clamps by turning them with a hex wrench (large sizes only).



Hardened Tool Steel (Serrated)



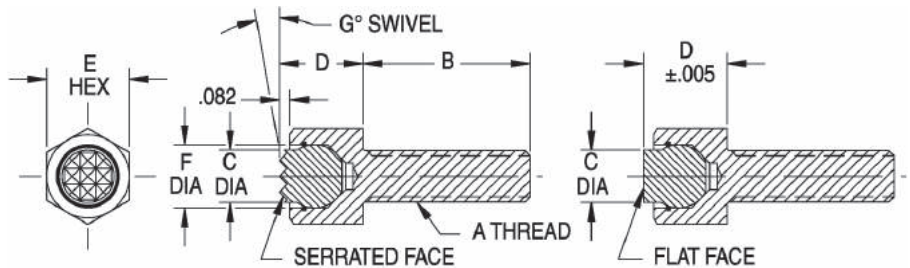
Hardened Steel (Flat)



Delrin® (Flat)

Mini Sizes

Mini threaded contact bolt with a built-in swivel ball held by a retaining ring. Choose from the three gripper types shown, serrated or flat. The gripper face is machined directly on the swivel ball. A positive stop prevents the ball from swiveling too far. Can be used as a contact bolt, or as a support. Available in thread sizes from #10-32 to 5/16-18 (M6 to M8 in metric), most in a choice of several lengths.



MINI — COMPLETE ASSEMBLY (INCH)

PART NO. — COMPLETE			A	B	C DIA	D	E	F DIA	G	SERRATIONS	
HARDENED TOOL STEEL (SERRATED)	HARDENED STEEL (FLAT)	DELRI® (FLAT)									
CL-305-GSB	CL-305-GBF	CL-305-GBFN	#10-32	1/2	5/32	5/16	3/8	3/16	14°	Super Fine	.062x90°
CL-405-GSB	CL-405-GBF	CL-405-GBFN	1/4-20	1/2	1/4	3/8	7/16	7/32			
CL-410-GSB	CL-410-GBF	CL-410-GBFN		1							
CL-415-GSB	CL-415-GBF	CL-415-GBFN	5/16-18	1-1/2	5/16	7/16	1/2	3/8		Extra Fine	.094x90°
CL-505-GSB	CL-505-GBF	CL-505-GBFN		1/2							
CL-510-GSB	CL-510-GBF	CL-510-GBFN		1							
CL-515-GSB	CL-515-GBF	CL-515-GBFN		1-1/2							

MINI — COMPLETE ASSEMBLY (METRIC)

CLM-612-GSB	CLM-612-GBF	CLM-612-GBFN	M6	.47	.24	.374	10mm	.28	14°	Super Fine	.062x90°
CLM-625-GSB	CLM-625-GBF	CLM-625-GBFN		.98							
CLM-640-GSB	CLM-640-GBF	CLM-640-GBFN		1.57							
CLM-812-GSB	CLM-812-GBF	CLM-812-GBFN	M8	.47	.33	.512	13mm	.39	12°	Extra Fine	.094x90°
CLM-825-GSB	CLM-825-GBF	CLM-825-GBFN		.98							
CLM-840-GSB	CLM-840-GBF	CLM-840-GBFN		1.57							

GRIPPER SWIVEL PADS

BODY AND GRIPPER SCREW: STEEL, CARBURIZED-HARDENED, BLACK OXIDE FINISH. O-RING: RUBBER
 SWIVEL BALL ON STANDARD SIZES: 440C STAINLESS STEEL, HEAT TREATED
INFO+: SEE PAGES 204-205 FOR ROUND GRIPPER MATERIAL SPECIFICATIONS



Hardened Tool Steel (Serrated)



Carbide Tipped (Serrated)



Solid Carbide (Serrated)



Abrasive Diamond



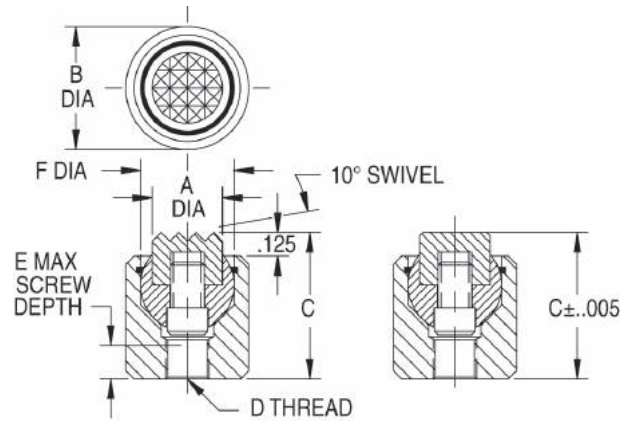
Bonded Urethane



Carbide Tipped (Flat)



Hardened Steel or Stainless, or Delrin® (Flat)



Rest pad with a built-in swivel ball held by a retaining ring. A positive stop prevents the ball from swiveling too far. The swivel ball is removable to allow installing any of 11 different Round-Gripper types (order separately). Simply insert a hex wrench or rod to push the ball out from behind. Gripper Swivel Pads are available in a wide range of sizes. They can be surface-mounted or installed in a counterbored hole.

BODY AND GRIPPER — ORDER SEPARATELY (INCH)

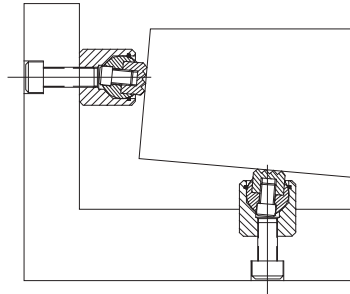
PART NO. BODY WITHOUT GRIPPER	PART NO. — ROUND GRIPPER							A DIA	B DIA	C	D	E	F DIA	H	J	SERRATIONS
	HARDENED TOOL STEEL (SERRATED)	CARBIDE TIPPED (SERRATED)	SOLID CARBIDE (SERRATED)	ABRASIVE DIAMOND	BONDED URETHANE	CARBIDE TIPPED (FLAT)	STEEL, SS, OR DELRIN® (FLAT)									
CL-6-GSP	CL-6-RG	CL-6-RGT	—	CL-6-RGD	CL-6-RGU-1 CL-6-RGU-2 CL-6-RGU-3	CL-6-RGFT	CL-6-RGF CL-6-RGF-S CL-6-RGFN	3/8	5/8	7/8	1/4-28	.24	1/2	3/4	1	XFine .094x90°
CL-8-GSP	CL-8-RG	CL-8-RGT	CL-8-RGC	CL-8-RGD	CL-8-RGU-1 CL-8-RGU-2 CL-8-RGU-3	CL-8-RGFT	CL-8-RGF CL-8-RGF-S CL-8-RGFN	1/2	13/16	1	5/16-24	.35	5/8	7/8	1-1/8	Fine .125x90°
CL-10-GSP	CL-10-RG	CL-10-RGT	CL-10-RGC	CL-10-RGD	CL-10-RGU-1 CL-10-RGU-2 CL-10-RGU-3	CL-10-RGFT	CL-10-RGF CL-10-RGF-S CL-10-RGFN	5/8	15/16	1	3/8-24	.28	3/4	7/8	1-1/8	
CL-12-GSP	CL-12-RG	CL-12-RGT	CL-12-RGC	CL-12-RGD	CL-12-RGU-1 CL-12-RGU-2 CL-12-RGU-3	CL-12-RGFT	CL-12-RGF CL-12-RGF-S CL-12-RGFN	3/4	1-1/8	1-1/16	1/2-20	.25	7/8	15/16	1-3/16	
CL-16-GSP	CL-16-RG	CL-16-RGT	—	CL-16-RGD	CL-16-RGU-1 CL-16-RGU-2 CL-16-RGU-3	CL-16-RGFT	CL-16-RGF CL-16-RGF-S CL-16-RGFN	1	1-1/2	1-3/8		.44	1-1/8	1-1/4	1-1/2	

BODY AND GRIPPER — ORDER SEPARATELY (METRIC)

CLM-10-GSP	CLM-10-RG	CLM-10-RGT	—	CLM-10-RGD	CLM-10-RGU-1 CLM-10-RGU-2 CLM-10-RGU-3	—	CLM-10-RGF CLM-10-RGF-S CLM-10-RGFN	10mm	.67	.866	M6	.29	.512	.71	.95	XFine .094x90°
CLM-12-GSP	CLM-12-RG	CLM-12-RGT	—	CLM-12-RGD	CLM-12-RGU-1 CLM-12-RGU-2 CLM-12-RGU-3	—	CLM-12-RGF CLM-12-RGF-S CLM-12-RGFN	12mm	.75	.945	M8	.33	.591	.79	1.02	Fine .125x90°
CLM-16-GSP	CLM-16-RG	CLM-16-RGT	—	CLM-16-RGD	CLM-16-RGU-1 CLM-16-RGU-2 CLM-16-RGU-3	—	CLM-16-RGF CLM-16-RGF-S CLM-16-RGFN	16mm	.94	1.102	M10	.35	.787	.95	1.18	
CLM-20-GSP	CLM-20-RG	CLM-20-RGT	—	CLM-20-RGD	CLM-20-RGU-1 CLM-20-RGU-2 CLM-20-RGU-3	—	CLM-20-RGF CLM-20-RGF-S CLM-20-RGFN	20mm	1.18	1.181	M12	.33	.906	1.02	1.26	
CLM-25-GSP	CLM-25-RG	CLM-25-RGT	—	CLM-25-RGD	CLM-25-RGU-1 CLM-25-RGU-2 CLM-25-RGU-3	—	CLM-25-RGF CLM-25-RGF-S CLM-25-RGFN	25mm	1.42	1.417	M12	.47	1.102	1.26	1.50	

GRIPPER SWIVEL PADS

BODY: STEEL, CARBURIZED-HARDENED, BLACK OXIDE FINISH
 O-RING: RUBBER
 SERRATED SWIVEL BALL: HIGH-SPEED TOOL STEEL, BLACK OXIDE FINISH
 FLAT SWIVEL BALL: STEEL, HARDENED, BLACK OXIDE FINISH
 FLAT DELRIN® SWIVEL BALL: WHITE DELRIN® 500



Gripper Swivel Pads can be surface mounted or installed in a counterbored hole.



Hardened Tool Steel (Serrated)



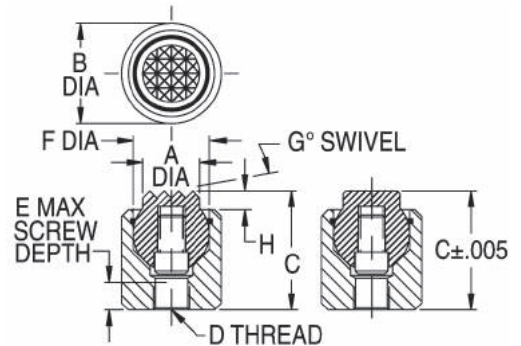
Hardened Steel (Flat)



Delrin® (Flat)

Mini sizes

Mini-size rest pad with a built-in swivel ball held by a retaining ring. Choose from the three gripper types shown, serrated or flat. The gripper face is machined directly on the swivel ball. A positive stop prevents the ball from swiveling too far. Gripper Swivel Pads can be surface mounted or installed in a counterbored hole. Available in the following body diameters from 3/8 to 5/8" (10 to 17mm in metric).



MINI — COMPLETE ASSEMBLY (INCH)

PART NO. — COMPLETE			A DIA	B DIA	C	D	E	F BALL DIA	G	H	SERRATIONS	
HARDENED TOOL STEEL (SERRATED)	HARDENED STEEL (FLAT)	DELRIN® (FLAT)										
CL-3-GSPS	CL-3-GSPF	CL-3-GSPN	5/32	3/8	3/8	#4-40	1/4	3/16	14°	.062	Super Fine	.062x90°
CL-4-GSPS	CL-4-GSPF	CL-4-GSPN	1/4	7/16	7/16	#8-32	5/32	9/32	14°	.062	Extra Fine	.094x90°
CL-5-GSPS	CL-5-GSPF	CL-5-GSPN	5/16	1/2	9/16	#10-32	5/32	3/8	14°	.062	Super Fine	.062x90°
CL-6-GSPS	CL-6-GSPF	CL-6-GSPN	3/8	5/8	15/16	1/4-28	1/4	1/2	17°	.125	Extra Fine	.094x90°

MINI — COMPLETE ASSEMBLY (METRIC)

CLM-6-GSPS	CLM-6-GSPF	CLM-6-GSPN	.24	.39	.472	M4	.14	.276	14°	.059	SFine	.062x90°
CLM-8-GSPS	CLM-8-GSPF	CLM-8-GSPN	.33	.51	.630	M5	.25	.394	12°	.059	Extra Fine	.094x90°
CLM-10-GSPS	CLM-10-GSPF	CLM-10-GSPN	.39	.67	.768	M6	.27	.512	21°	.059	Fine	.094x90°

GRIPPER SWIVEL SCREWS

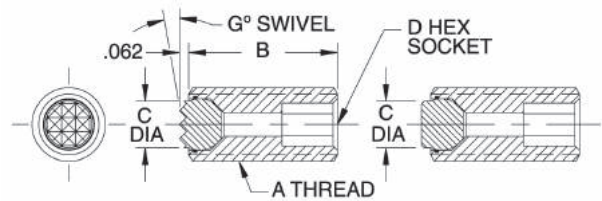
BODY: STEEL, CARBURIZED-HARDENED, BLACK OXIDE FINISH
 SWIVEL BALL: HIGH-SPEED TOOL STEEL



Hardened Tool Steel (Serrated)



Hardened Tool Steel (Flat)



5

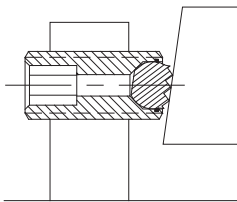
Screw clamp with a hardened tool steel swivel ball, either serrated or flat. A positive stop prevents the ball from swiveling too far. Serrated grippers are designed to slightly penetrate the workpiece to significantly increase gripping force, rather than relying on static friction alone. Available in thread sizes from 3/8-16 to 5/8-11 (M10 to M16 in metric) each in a choice of several lengths.

COMPLETE ASSEMBLY (INCH)

PART NO. — COMPLETE		A	B	C DIA	D	G	SERRATIONS	
HARDENED TOOL STEEL (SERRATED)	HARDENED TOOL STEEL (FLAT)						Super Fine	
CL-605-GSS	CL-605-GSF	3/8-16	1/2	5/32	3/16	14°	Super Fine	.062x90°
CL-610-GSS	CL-610-GSF		1					
CL-620-GSS	CL-620-GSF		2					
CL-810-GSS	CL-810-GSF	1/2-13	1	1/4	1/4		Extra Fine	.094x90°
CL-820-GSS	CL-820-GSF		2					
CL-830-GSS	CL-830-GSF		3					
CL-1010-GSS	CL-1010-GSF	5/8-11	1	5/16	5/16	Extra Fine	.094x90°	
CL-1020-GSS	CL-1020-GSF		2					
CL-1030-GSS	CL-1030-GSF		3					

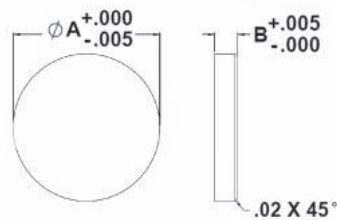
COMPLETE ASSEMBLY (METRIC)

PART NO. — COMPLETE		A	B	C DIA	D	G	SERRATIONS	
HARDENED TOOL STEEL (SERRATED)	HARDENED TOOL STEEL (FLAT)						Super Fine	
CLM-1025-GSS	CLM-1025-GSF	M10	.98	.16	5mm	15°	Super Fine	.062x90°
CLM-1050-GSS	CLM-1050-GSF		1.97					
CLM-1225-GSS	CLM-1225-GSF	M12	.98	.24	6mm	14°	Extra Fine	.094x90°
CLM-1250-GSS	CLM-1250-GSF		1.97					
CLM-1625-GSS	CLM-1625-GSF	M16	.98	.33	8mm	12°	Extra Fine	.094x90°
CLM-1650-GSS	CLM-1650-GSF		1.97					



ROUND CARBIDE PADS

SOLID CARBIDE



These handy round pads are made from solid carbide for high wear resistance. Pads can be brazed or bonded to install. The bottom is slightly chamfered for clearance in a mounting bracket. Available in diameters from 1/4 to 1". Made in USA.

PART NO.	A	B
CL-4-RCP	1/4	1/8
CL-5-RCP	5/16	1/8
CL-6-RCP	3/8	1/8
CL-8-RCP	1/2	1/8
CL-10-RCP	5/8	1/8
CL-12-RCP	3/4	1/8
CL-16-RCP	1	5/32

REST BUTTONS

TYPES



REST BUTTONS

Precision height locator with a close-tolerance shank for installation in a reamed hole. Rest Buttons are extremely useful as supports, side locator pads, and jig feet. Available in steel, stainless steel, or steel with a carbide pad.



CARBIDE-TIPPED REST BUTTONS

Precision height locator similar to the rest buttons above, but with a carbide tip for extra wear resistance.



AIR REST BUTTONS

Air Rest Buttons are used to incorporate pneumatic position control to detect proper workpiece loading in a machining fixture. These modular units consist of a threaded body installed in the fixture, which holds a precision floating plunger.



SPHERICAL RADIUS LOCATOR BUTTONS

Precision height locator with a spherical-radius head to minimize workpiece contact area. Close-tolerance shank allows press-fit installation in a reamed hole.



JIG REST BUTTONS

Precision height locator with a counterbored hole for mounting with a Socket-Head Cap Screw (not furnished). Jig Rest Buttons are extremely useful as supports, side locator pads, and jig feet.



SCREW REST PADS

Precision height locator with a threaded shank for installation in a tapped hole. Cone shape provides a small contact area in combination with a large stable base. Screw Rest Pads are extremely useful as supports, side locator pads, and jig feet.



SCREW REST BUTTONS

Threaded rest button with a hex head machined .005 to .010" over nominal height for finish grinding after installation.



SWIVEL CONTACT BOLTS

Swivel contact bolts are precision swivel balls that can be used either as a contact bolt or a rest pad. Ideal for evenly distributing clamping pressure on sloped surfaces.



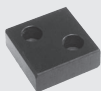
DRILL JIG FEET

Precision jig foot available in four heights. Dowel in place to prevent rotation.



DOUBLE-END JIG FEET

Tapped jig foot commonly used in pairs with a stud.



JIG LEG PLATES

Precision ground pad with a large contact area. Can be used either as a jig foot, or as a rest pad for heavy workpieces. Choice of three sizes.



HEAVY-DUTY REST PADS

Large, precision rest pad for heavy-duty applications. These hardened pads have a large, durable contact surface to support heavy workpieces, or to serve as wear plates. Choice of four sizes.

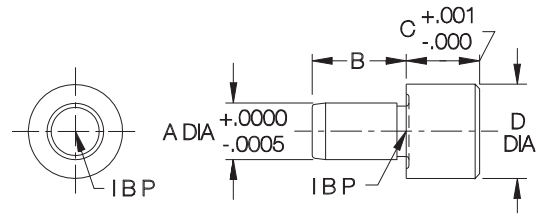


HEIGHT SHIMS

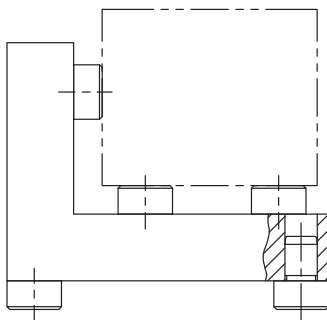
Precision shims that allow raising a height locator by a small, exact amount. Ideal when supporting at different levels underneath a workpiece.

REST BUTTONS

STEEL: 1144, HEAT TREATED RC 40-45 BLACK OXIDE FINISH
 STAINLESS STEEL: 300-SERIES



5 Precision height locator with a close-tolerance shank for installation in a reamed hole. Rest Buttons are extremely useful as supports, side locator pads, and jig feet. Available in steel, stainless steel, or steel with a carbide pad on opposite page.



STEEL (INCH)

PART NO.	A DIA		B	C		D DIA
	NOMINAL	ACTUAL		NOMINAL	ACTUAL	
CL-12-RB	3/16	.1885	3/8	1/4	.2500	3/8
CL-13-RB				3/8	.3750	
CL-14-RB				1/2	.5000	
CL-2-RB	1/4	.2510	1/2	1/4	.2500	1/2
CL-3-RB				3/8	.3750	
CL-1-RB				1/2	.5000	
CL-5-RB	3/8	.3760	5/8	1/4	.2500	5/8
CL-6-RB				3/8	.3750	
CL-4-RB				1/2	.5000	
CL-7-RB				5/8	.6250	
CL-8-RB				3/4	.7500	
CL-15-RB	1/2	.5010	5/8	3/8	.3750	7/8
CL-9-RB				1/2	.5000	
CL-16-RB				5/8	.6250	
CL-17-RB	5/8	.6260	3/4	3/8	.3750	1
CL-10-RB				1/2	.5000	
CL-18-RB				3/4	.7500	
CL-19-RB	3/4	.7515	7/8	1/2	.5000	1-1/4
CL-11-RB				5/8	.6250	

STAINLESS STEEL (INCH)

PART NO.	A DIA		B	C		D DIA
	NOMINAL	ACTUAL		NOMINAL	ACTUAL	
CL-26432	3/16	.1885	1/4	1/4	.2500	3/8
CL-26433				3/8	.3750	
CL-26434				1/2	.5000	
CL-26542	1/4	.2510	5/16	1/4	.2500	1/2
CL-26646	5/16	.3135	5/16	3/4	.7500	1/2

STEEL (METRIC)

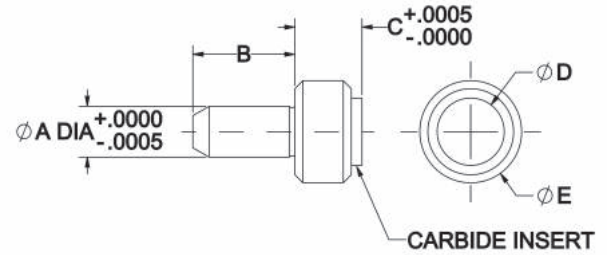
PART NO.	A DIA		B	C		D DIA
	NOMINAL	ACTUAL		NOMINAL	ACTUAL	
CLM-605-RB	6mm	.2372	.31	5mm	.1969	.39
CLM-610-RB				10mm	.3937	
CLM-805-RB	8mm	.3160	.39	5mm	.1969	.63
CLM-810-RB				10mm	.3937	
CLM-815-RB				15mm	.5906	
CLM-820-RB				20mm	.7874	
CLM-1010-RB	10mm	.3947	.47	10mm	.3937	.79
CLM-1015-RB				15mm	.5906	
CLM-1020-RB				20mm	.7874	



For additional metric Rest Buttons, see
Round Locating Pads
DIN 6321
 (Info+: Page 244)

CARBIDE-TIPPED REST BUTTONS

BODY: 1144 STEEL, HEAT TREATED RC 40-45, BLACK OXIDE FINISH
PAD: CARBIDE



Carbide-Tipped Rest Buttons are available in many of the same diameters and heights as our standard Rest Buttons on the opposite page, so they can be used as direct replacements where additional wear resistance is desired. These rest buttons feature a thick embedded carbide pad, finish machined to a precision height. Like a standard Rest Button, these locators have a close-tolerance shank for installation in a reamed hole.

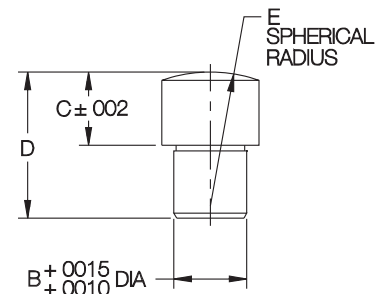
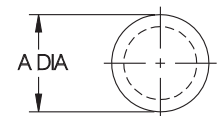
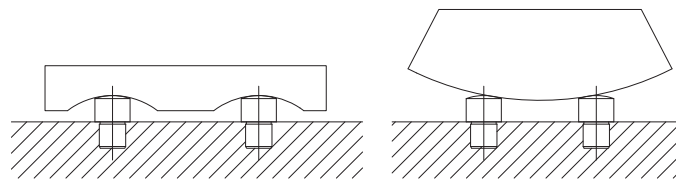
STEEL (INCH)

PART NO.	A DIA		B	C		D DIA	E DIA
	NOMINAL	ACTUAL		NOMINAL	ACTUAL		
CL-12-CTRB	3/16	.1885	3/8	1/4	.2500	1/4	3/8
CL-14-CTRB				1/2	.5000		
CL-3-CTRB	1/4	.2510	1/2	3/8	.3750	3/8	1/2
CL-5-CTRB	3/8	.3760	5/8	1/4	.2500	1/2	5/8
CL-6-CTRB				3/8	.3750		
CL-7-CTRB				5/8	.6250		
CL-15-CTRB	1/2	.5010	5/8	3/8	.3750	3/4	7/8
CL-9-CTRB				1/2	.5000		
CL-19-CTRB	3/4	.7515	7/8	1/2	.5000	1	1-1/4

5

SPHERICAL RADIUS LOCATOR BUTTONS

1144 STEEL, HEAT TREATED RC 40-45, BLACK OXIDE FINISH



Precision height locator with a spherical-radius head to minimize workpiece contact area. Close-tolerance shank allows press-fit installation in a reamed hole. Spherical-Radius Locator Buttons are extremely useful as supports, side locator pads, and jig feet.

PART NO.	B DIA	A DIA	C	D	E
CL-1-SLB	3/16	5/16	.1250	3/8	1/2
CL-2-SLB	1/4	3/8	.1875	1/2	5/8
CL-3-SLB	3/8	1/2	.1875	9/16	3/4
CL-4-SLB			.2500	5/8	
CL-5-SLB			.3750	3/4	
CL-6-SLB			.5000	7/8	

AIR REST BUTTONS

PLUNGER & BODY: 1144 STEEL, HEAT TREATED RC 40-45, BLACK OXIDE FINISH



5

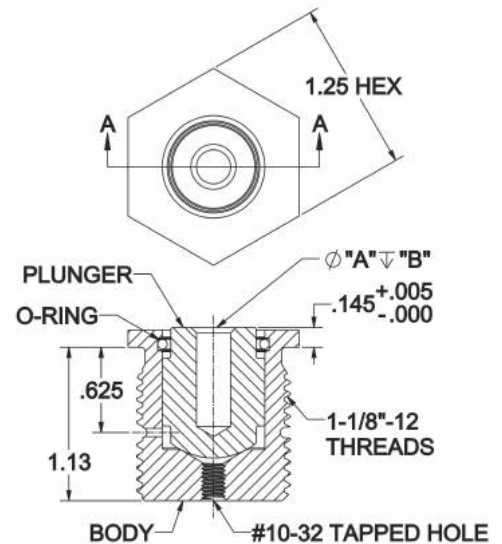
Air Rest Buttons allow using pneumatic position control to detect proper workpiece loading in a machining fixture. These modular units consist of a threaded body installed in a fixture, which holds a precision floating plunger. This plunger has a reamed hole, available in a choice of three diameters, that accepts any height of our standard press-fit-type Rest Buttons.

Proper placement of a workpiece on the Air Rest Button assembly causes the plunger to fully retract into the body. This seals off air flow, which increases the overall pressure of the system (30 psi maximum air pressure). This pressure value can be read using an analog or digital pressure sensor which can then be tied into a PLC or control system. **Patent pending.**

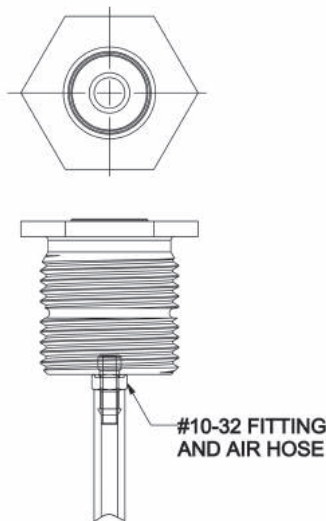
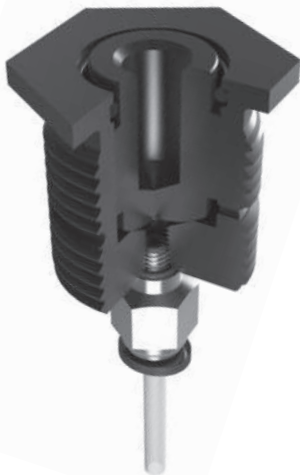
After installation, the retracted plunger's top surface will be .145" above the fixture surface before a Rest Button is installed (the body's top flange is .125" thick, and the plunger protrudes .020" above the flange). If desired to achieve ultimate precision, the top surfaces of all Rest Buttons can be reground after installation of all Rest Button assemblies.

When using pneumatic position control, please consider that keeping the support surfaces reasonably clean is always important. Operations that produce fine chips or grit, such as when machining cast iron, should be avoided. The use of flood coolant, or aggressive coolant, should also be avoided.

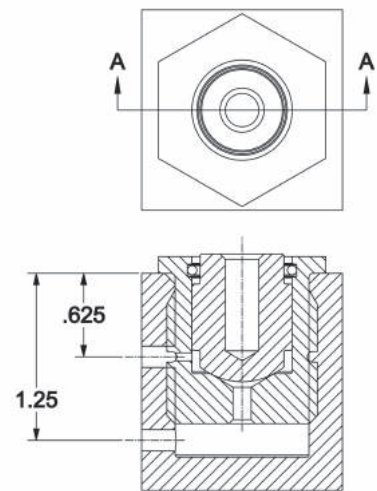
For more information and videos, see our online catalog at carrlane.com.



PART NO.	A DIA		B DIA	MAXIMUM AIR PRESSURE (psi)
	NOMINAL	ACTUAL		
CL-213-ARB	3/16	.1870/.1875	11/16	30
CL-214-ARB	1/4	.2495/.2500		
CL-216-ARB	3/8	.3745/.3750		

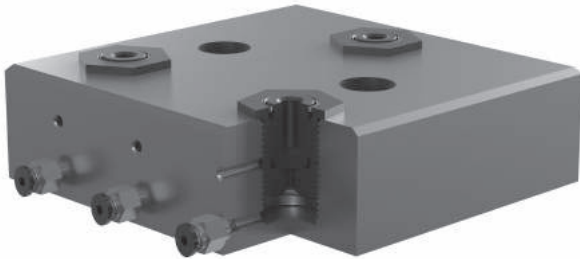


Air connection with external fitting



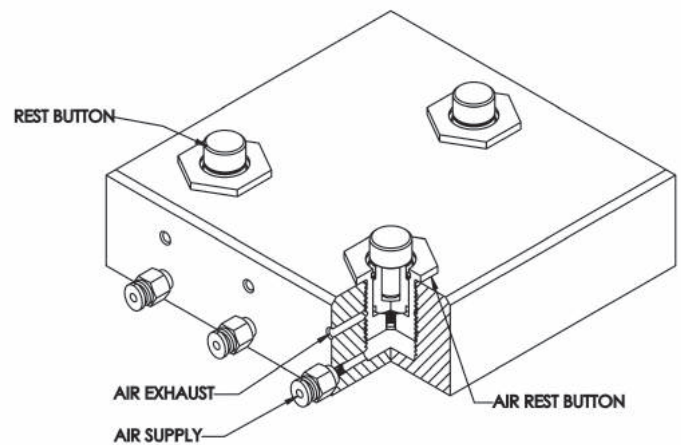
Air connection with drilled manifold passage

AIR REST BUTTONS



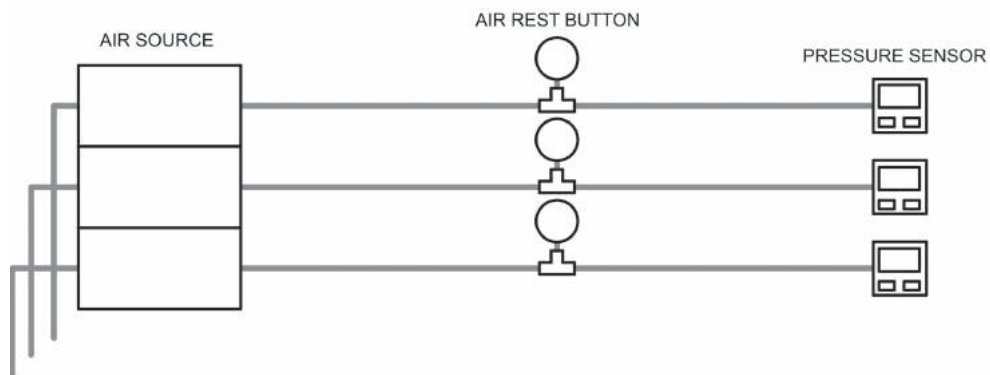
This example uses three Air Rest Buttons to provide full 3-point support under a workpiece.

For more information and videos, see our online catalog at carrlane.com.

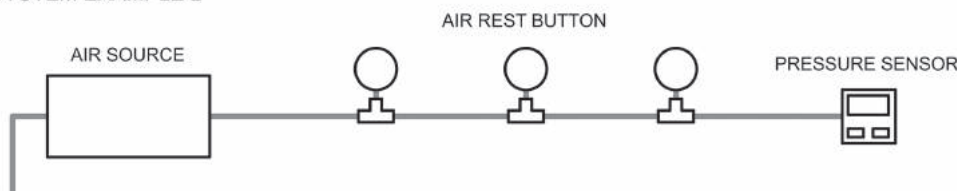


5

SYSTEM EXAMPLE 1



SYSTEM EXAMPLE 2



JIG REST BUTTONS

12L14 STEEL, CARBURIZED-HARDENED, BLACK OXIDE FINISH

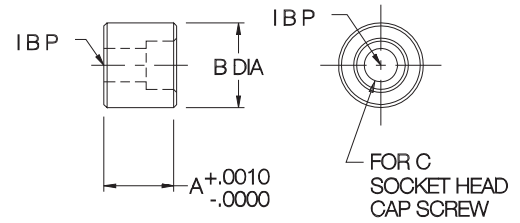


Precision height locator with a counterbored hole for mounting with a Socket-Head Cap Screw (not furnished). Jig Rest Buttons are extremely useful as supports, side locator pads, and jig feet.

INCH

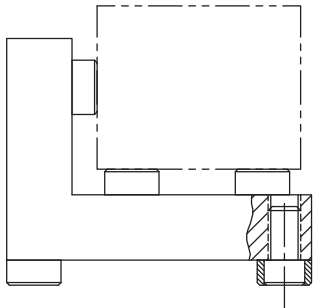
PART NO.	B DIA	A		C
		NOMINAL	ACTUAL	
CL-24-JRB	1/2	1/8	.1250	#8 Flat Head*
CL-00-JRB		3/8	.3750	#10
CL-0-JRB		1/2	.5000	
CL-12-JRB	5/8	1/4	.2500	#10 Flat Head*
CL-13-JRB		3/8	.3750	1/4
CL-1-JRB		1/2	.5000	
CL-14-JRB		5/8	.6250	
CL-2-JRB	7/8	3/4	.7500	5/16
CL-16-JRB		1	1.0000	
CL-17-JRB		3/8	.3750	1/4
CL-18-JRB		1/2	.5000	
CL-3-JRB		5/8	.6250	
CL-19-JRB	1-1/4	3/4	.7500	3/8
CL-20-JRB		1	1.0000	
CL-25-JRB		1/2	.5000	
CL-21-JRB		3/4	.7500	
CL-6-JRB	1-1/4	1	1.0000	3/8
CL-7-JRB		1-1/2	1.5000	
CL-8-JRB		2	2.0000	

* Countersunk for flat-head screw these sizes only.



METRIC

PART NO.	B DIA	A		C
		NOMINAL	ACTUAL	
CLM-1-JRB	.63	10mm	.3937	M5
CLM-2A-JRB		15mm	.5906	
CLM-4-JRB	.79	10mm	.3937	M6
CLM-6A-JRB		15mm	.5906	
CLM-7A-JRB		20mm	.7874	
CLM-8-JRB		25mm	.9843	
CLM-11A-JRB	.98	15mm	.5906	M8
CLM-12A-JRB		20mm	.7874	
CLM-13-JRB	1.26	25mm	.9843	M10
CLM-14A-JRB		20mm	.7874	
CLM-15-JRB		25mm	.9843	
CLM-16A-JRB		30mm	1.1811	
CLM-17A-JRB		50mm	1.9685	



5

DRILL JIG FEET

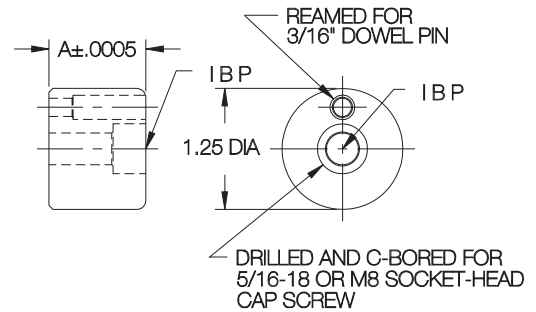
12L14 STEEL, CARBURIZED-HARDENED, BLACK OXIDE FINISH



Precision jig foot available in four heights. Dowel in place to prevent rotation.

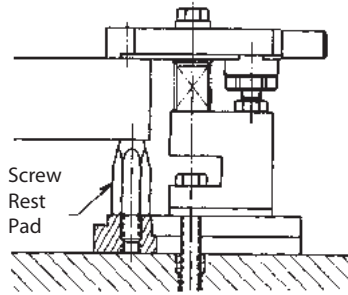
INCH

PART NO.	A
CL-1-DJF	.5000
CL-2-DJF	1.0000
CL-3-DJF	2.0000
CL-4-DJF	3.0000

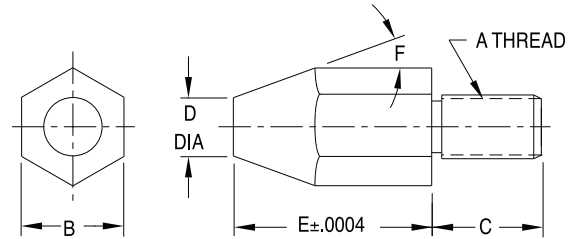


SCREW REST PADS

12L14 STEEL, CARBURIZED-HARDENED, BLACK OXIDE FINISH



Precision height locator with a threaded shank for installation in a tapped hole. Cone shape provides a small contact area in combination with a large stable base. Screw Rest Pads are extremely useful as supports, side locator pads, and jig feet.



INCH

PART NO.	A	B	C	D DIA	E	F
CL-MF25-4801	5/16-18	3/4	5/8	5/16	.2500	75°
CL-MF25-4802					.3750	60°
CL-MF25-4803					.5000	35°
CL-MF25-4804					.7500	25°
CL-MF25-4805					1.0000	20°
CL-MF25-4806					1.2500	15°
CL-MF25-4807					1.5000	
CL-MF40-4801	1/2-13	7/8	15/16	1/2	.2500	75°
CL-MF40-4802					.3750	60°
CL-MF40-4803					.5000	35°
CL-MF40-4804					.7500	25°
CL-MF40-4805					1.0000	20°
CL-MF40-4806					1.2500	
CL-MF40-4807					1.5000	15°
CL-MF40-4808					2.0000	
CL-MF50-4801	5/8-11	1	1-1/4	5/8	.2500	75°
CL-MF50-4802					.3750	60°
CL-MF50-4803					.5000	35°
CL-MF50-4804					.7500	25°
CL-MF50-4805					1.0000	20°
CL-MF50-4806					1.2500	
CL-MF50-4807					1.5000	15°
CL-MF50-4808					2.0000	

METRIC

PART NO.	A	B	C	D DIA	E	F
CL-MF08-4801	M8	17mm	.63	.31	.1969 (5mm)	75°
CL-MF08-4802					.3937 (10mm)	60°
CL-MF08-4803					.5906 (15mm)	35°
CL-MF08-4804					.7874 (20mm)	25°
CL-MF08-4805					.9843 (25mm)	20°
CL-MF08-4806					1.1811 (30mm)	
CL-MF08-4808					1.5748 (40mm)	15°
CL-MF12-4801					M12	19mm
CL-MF12-4802	.3937 (10mm)	60°				
CL-MF12-4803	.5906 (15mm)	35°				
CL-MF12-4804	.7874 (20mm)	25°				
CL-MF12-4805	.9843 (25mm)	20°				
CL-MF12-4806	1.1811 (30mm)					
CL-MF12-4808	1.5748 (40mm)	15°				
CL-MF12-4810	1.9685 (50mm)					
CL-MF16-4802	M16	24mm	1.26	.63	.3937 (10mm)	60°
CL-MF16-4803					.5906 (15mm)	35°
CL-MF16-4804					.7874 (20mm)	25°
CL-MF16-4805					.9843 (25mm)	20°
CL-MF16-4806					1.1811 (30mm)	
CL-MF16-4808					1.5748 (40mm)	15°
CL-MF16-4810					1.9685 (50mm)	

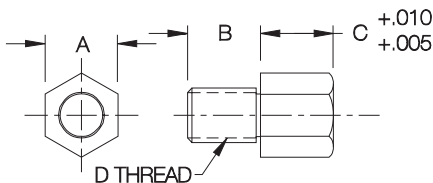
5

SCREW REST BUTTONS

12L14 STEEL, CARBURIZED-HARDENED, BLACK OXIDE FINISH



Threaded rest button with a hex head machined .005 to .010" over nominal height for finish grinding after installation.



INCH

PART NO.	A	B	C		D
			NOMINAL	ACTUAL	
CL-1-SRB	3/8	3/8	1/4	.2500	1/4-20
CL-2-SRB			3/8	.3750	
CL-3-SRB			1/2	.5000	
CL-4-SRB			3/4	.7500	
CL-5-SRB			1	1.0000	
CL-6-SRB	1/2	1/2	1/4	.2500	3/8-16
CL-7-SRB			3/8	.3750	
CL-8-SRB			1/2	.5000	
CL-9-SRB			3/4	.7500	
CL-10-SRB			1	1.0000	
CL-11-SRB	5/8	5/8	1/4	.2500	1/2-13
CL-12-SRB			3/8	.3750	
CL-13-SRB			1/2	.5000	
CL-14-SRB			5/8	.6250	
CL-15-SRB			3/4	.7500	
CL-16-SRB			1	1.0000	

METRIC

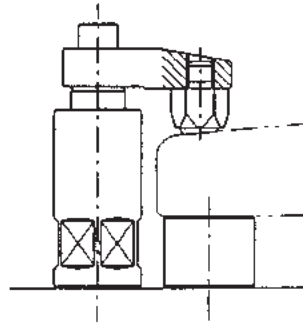
PART NO.	A	B	C		D
			NOMINAL	ACTUAL	
CLM-605-SRB	10mm	.39	5mm	.1969	M6
CLM-610-SRB			10mm	.3937	
CLM-615-SRB			15mm	.5906	
CLM-620-SRB			20mm	.7874	
CLM-625-SRB			25mm	.9843	
CLM-1005-SRB	13mm	.51	5mm	.1969	M10
CLM-1010-SRB			10mm	.3937	
CLM-1015-SRB			15mm	.5906	
CLM-1020-SRB			20mm	.7874	
CLM-1025-SRB			25mm	.9843	
CLM-1205-SRB	17mm	.63	5mm	.1969	M12
CLM-1210-SRB			10mm	.3937	
CLM-1215-SRB			15mm	.5906	
CLM-1220-SRB			20mm	.7874	
CLM-1225-SRB			25mm	.9843	

SWIVEL CONTACT BOLTS

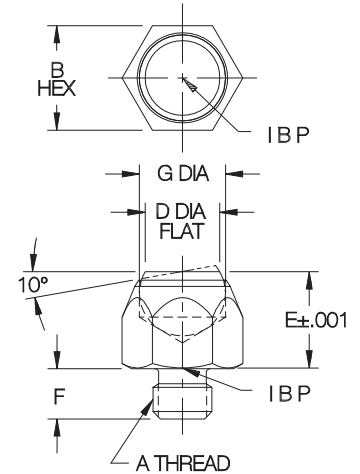
BALL: CHROME STEEL, HEAT TREATED RC 60-67
 BODY: 1144 STEEL, HEAT TREATED RC 35-40, BLACK OXIDE FINISH



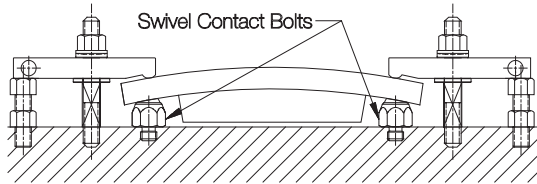
Precision swivel ball that can be used as either a contact bolt or rest pad.



Swivel Contact Bolts are ideal for evenly distributing clamping pressure on sloped surfaces.



5



Swivel Contact Bolts are precision ground for accurate height location, even on sloped surfaces. **INFO+:** See Riser Blocks (page 432), Extension Supports (page 433), and Height Shims (page 228).

INCH

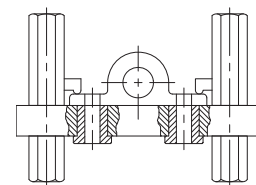
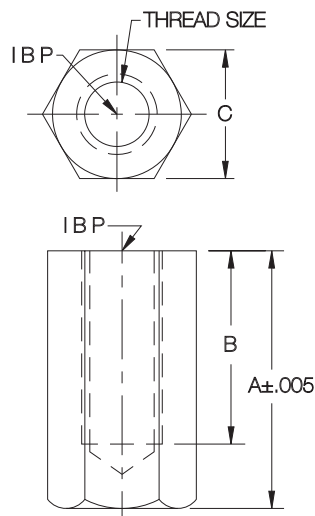
PART NO.	A	B	D DIA	E		F	G
				NOMINAL	ACTUAL		
CL-MF25-2502	5/16-18	9/16	13/32	1/2	.5000	.32	15/32
CL-MF30-2503	3/8-16	13/16	19/32	13/16	.8125	.47	23/32
CL-MF40-2501	1/2-13	7/8	5/8	13/16	.8125	.41	23/32
CL-MF50-2501	5/8-11	1-1/16	13/16	1	1.0000	.61	29/32

DOUBLE-END JIG FEET

12L14 STEEL, CARBURIZED-HARDENED, BLACK OXIDE FINISH



Tapped jig foot commonly used in pairs with a stud.

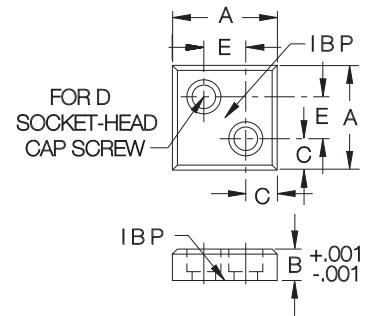
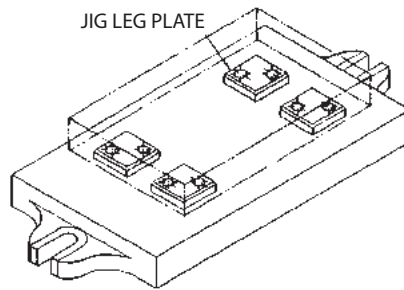


INCH

PART NO.	THREAD SIZE	A	B	C
CL-1-DEJF	5/8-11	1.000	5/8	1
CL-3-DEJF		1.500	1	
CL-5-DEJF		2.000	1-1/2	
CL-7-DEJF		3.000		
CL-9-DEJF		4.000		
CL-10-DEJF		6.000		
CL-11-DEJF		8.000		

JIG LEG PLATES

1020 STEEL, CARBURIZED-HARDENED, BLACK OXIDE FINISH



Precision ground pad with a large contact area. Can be used either as a jig foot, or as a rest pad for heavy workpieces. Choice of three sizes.

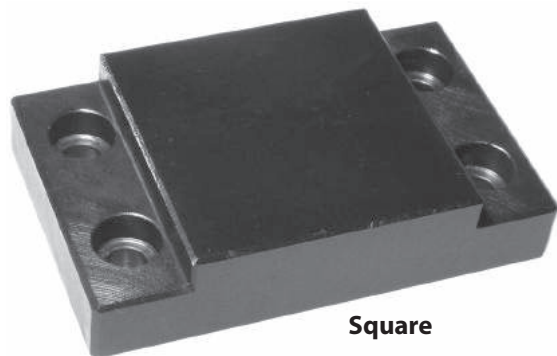
INCH

PART NO.	A	B	C	D	E
CL-1-JLP	1	.3125	5/16	#10-32 OR M5	3/8
CL-2-JLP	1-1/4	.3750	3/8	1/4-20 OR M6	1/2
CL-3-JLP	1-1/2	.4375	7/16		5/8

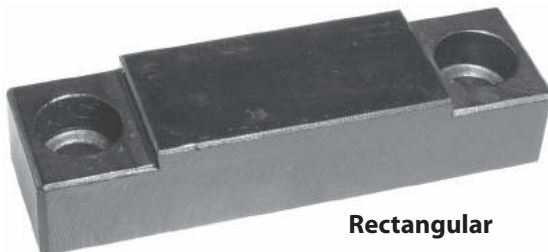
5

HEAVY-DUTY REST PADS

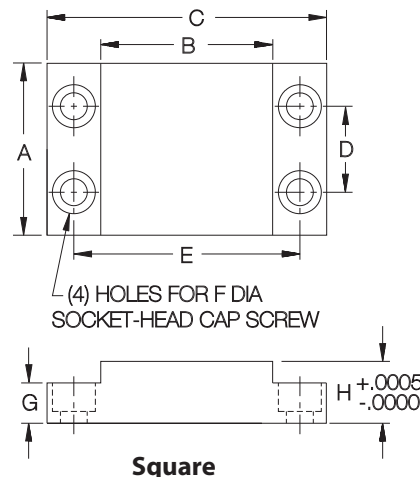
1018 STEEL, CARBURIZED-HARDENED, BLACK OXIDE FINISH



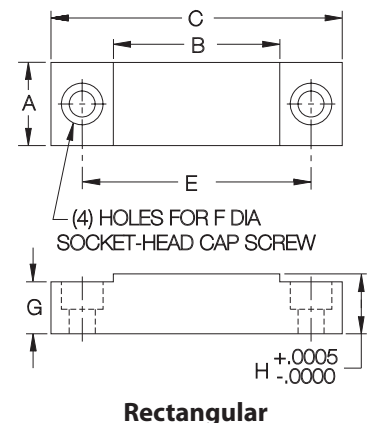
Square



Rectangular



Square



Rectangular

Large, precision rest pad for heavy-duty applications. These hardened pads have a large, durable contact surface to support heavy workpieces, or to serve as wear plates. Choice of four sizes.

SQUARE (INCH)

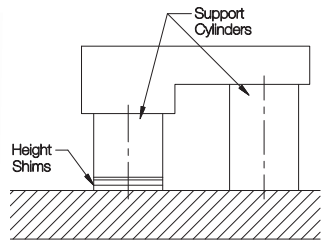
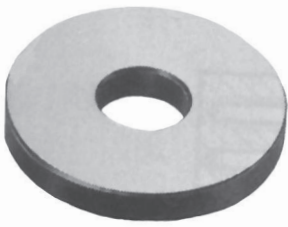
PART NO.	A	B	C	D	E	F	G	H
CL-1-HDRP	2	2	3-1/4	1	2-1/2	1/4-20 OR M6	1/2	.7500

RECTANGULAR (INCH)

CL-2-HDRP	1	2	3-1/2	—	2-3/4	5/16-18 OR M8	5/8	.7500
CL-3-HDRP		3	4-1/2		3-3/4			
CL-4-HDRP		4	5-1/2		4-3/4			

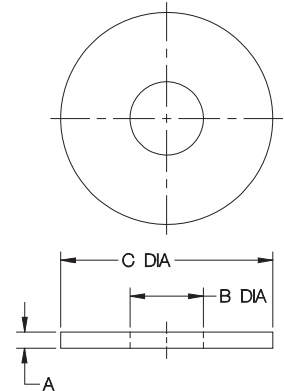
HEIGHT SHIMS

1010 STEEL



Precision shims that allow raising a height locator by a small, exact amount. Ideal when supporting at different levels underneath a workpiece, as in the example shown using Support Cylinders. Thickness tolerance is $\pm .0003$ on .125 size, $\pm 10\%$ on smaller sizes.

PART NO.	A	B DIA	C DIA
CL-MF25-7005	.005	9/16	15/16
CL-MF25-7010	.010		
CL-MF25-7020	.020		
CL-MF25-7125	1.25	9/16	1-5/8
CL-MF40-7005	.005		
CL-MF40-7010	.010		
CL-MF40-7020	.020	11/16	1-7/8
CL-MF40-7125	1.25		
CL-MF50-7005	.005		
CL-MF50-7010	.010		
CL-MF50-7020	.020		
CL-MF50-7125	1.25		

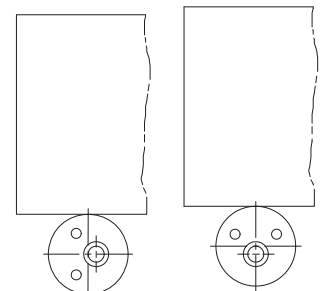
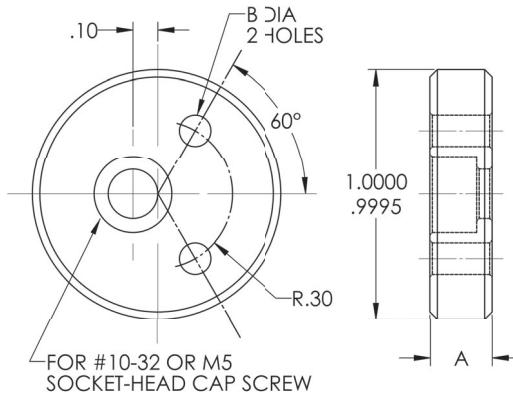


ECCENTRIC LEVELING LUGS

5 12L14 STEEL, CARBURIZED-HARDENED, BLACK OXIDE FINISH



Precision side locator that can be doweled in place after adjustment. Use for vertical leveling or horizontal locating. Available hardened, or soft to allow drilling and reaming after installation.



HARDENED

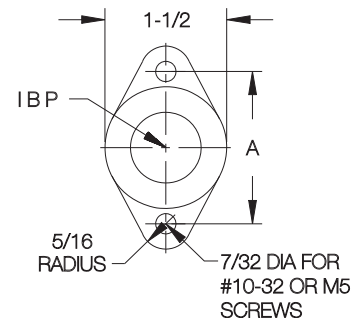
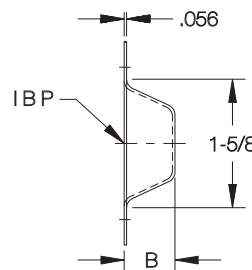
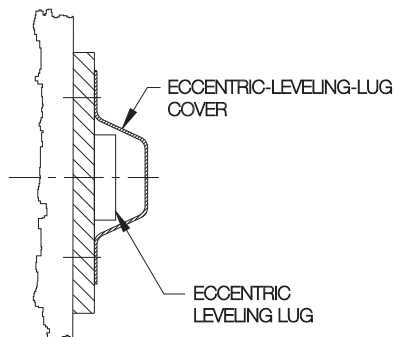
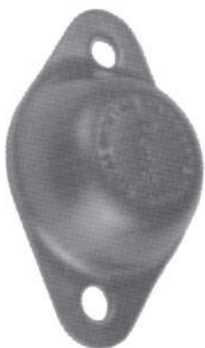
PART NO.	A	B DIA
CL-3-ELL	1/4	1/8 REAMED
CL-4-ELL	3/8	

SOFT

PART NO.	A	#31
CL-1-ELL	1/4	#31
CL-2-ELL	3/8	

ECCENTRIC-LEVELING-LUG COVERS

MILD STEEL, BLACK OXIDE FINISH



Sturdy cover that protects an Eccentric Leveling Lug from damage or misadjustment after setting.

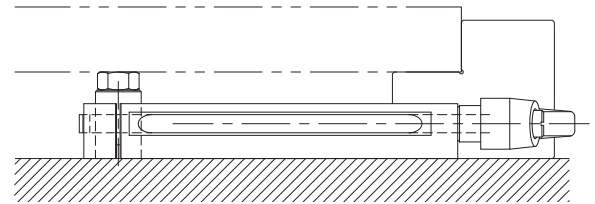
PART NO.	A	B
CL-1-COVER	1-7/8	5/8

MANUAL WORK SUPPORTS

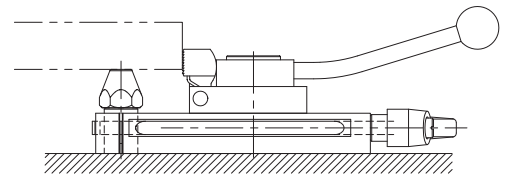
BODY & PLUNGER: CARBON STEEL, CASE HARDENED, BLACK OXIDE FINISH
HANDLE: ZINC DIE CASTING, ENAMEL PAINT



Spring-extended work support with an extremely low profile. Ideal for supporting in hard-to-reach places, because the handle can be positioned for convenient access. Turning the handle counterclockwise unlocks the plunger, allowing the plunger to float. Turning the handle clockwise locks the plunger. If desired, the plunger can be locked in retracted position before loading, for easier loading of light parts. The zinc die-cast Adjustable Handle can be reset to any angle for best leverage.



Low profile allows reaching far underneath low workpieces.



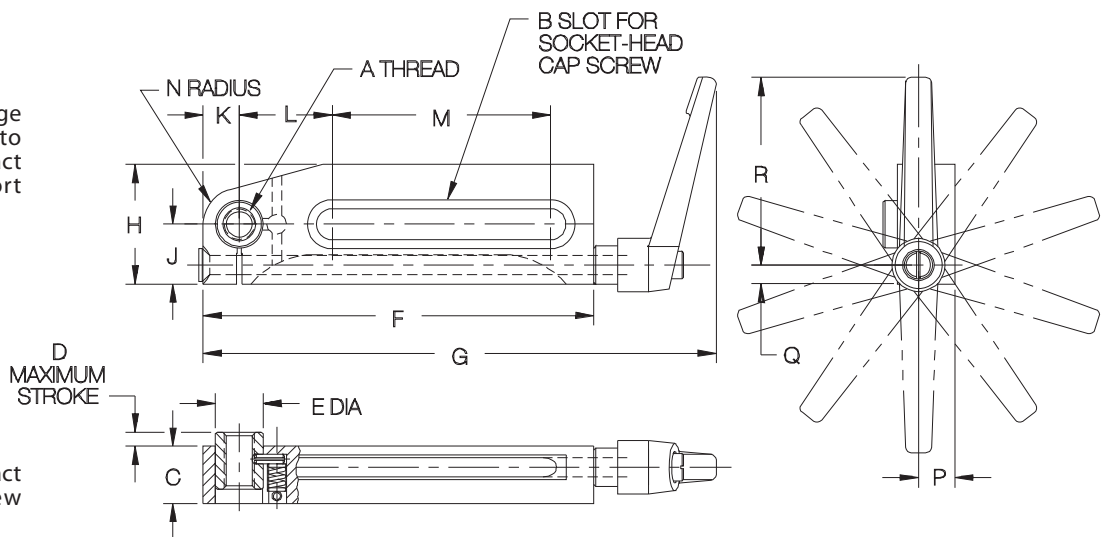
Mounting slot allows stacking other components, such as this Cam Edge Clamp, on top of the support.



Screw Rest Pads (**INFO+** page 225), available from 1/4" to 2" tall, are ideal fixed contact bolts to use in the support plunger.



INFO+: For adjustable contact screws, see Knurled Screw Jacks (page 230).



INCH

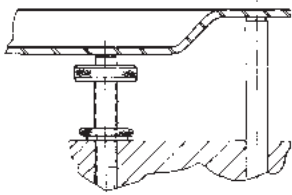
PART NO.	A	B	C	D	E	F	G	H	J	K	L	M	N	P	Q	R	LOAD CAPACITY (LBS)
CL-MF25-5701	5/16-18	5/16-18 or M8	.708	.118	.591	3-3/8	5-1/16	1-3/16	25/32	13/32	1-1/16	1-13/32	13/32	.433	9/32	2-9/16	110
CL-MF40-5701	1/2-13	1/2-13 or M12	.945	.236	.787	6-1/2	8-9/16	2	1	19/32	1-17/32	3-9/16	19/32	.551	5/16	3-1/8	550
CL-MF50-5702	5/8-11	5/8-11 or M16	1.339	.433	1.102	7-1/2	10-7/16	2-3/8	1-7/16	13/16	1-3/4	4-1/16	13/16	.846	1/2	4-5/16	1100

METRIC

PART NO.	A	B	C	D	E	F	G	H	J	K	L	M	N	P	Q	R	LOAD CAPACITY (LBS)
CL-MF08-5701	M8	5/16-18 or M8	.708	.118	.591	3-3/8	5-1/16	1-3/16	25/32	13/32	1-1/16	1-13/32	13/32	.433	9/32	2-9/16	110
CL-MF12-5701	M12	1/2-13 or M12	.945	.236	.787	6-1/2	8-9/16	2	1	19/32	1-17/32	3-9/16	19/32	.551	5/16	3-1/8	550
CL-MF16-5702	M16	5/8-11 or M16	1.339	.433	1.102	7-1/2	10-7/16	2-3/8	1-7/16	13/16	1-3/4	4-1/16	13/16	.846	1/2	4-5/16	1100

KNURLED SCREW JACKS

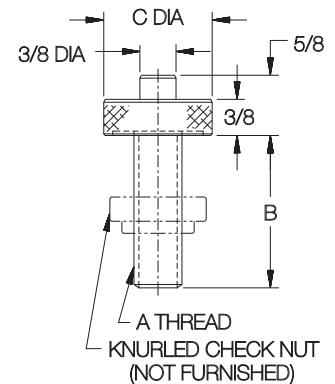
12L14 STEEL, CARBURIZED-HARDENED, BLACK OXIDE FINISH



Knurled head allows quick, easy, finger adjustment. **INFO+**: Order Knurled Check Nut separately (page 311).

INCH

PART NO.	A	B	C DIA	KNURLED CHECK NUT (NOT FURNISHED)
CL-0-KSJ	5/16-18	1-5/8	7/8	CL-51618-TSJN
CL-1-KSJ	3/8-16	1-1/4	1-1/8	CL-3816-TSJN
CL-2-KSJ		1-5/8		
CL-3-KSJ		2		
CL-4-KSJ	1/2-13	1-1/4	1-1/8	CL-1213-TSJN
CL-5-KSJ		1-5/8		
CL-6-KSJ		2		
CL-7-KSJ		2-1/2		
CL-8-KSJ	5/8-11	1-5/8	1-3/8	CL-5811-TSJN
CL-9-KSJ		2		
CL-10-KSJ		2-1/2		



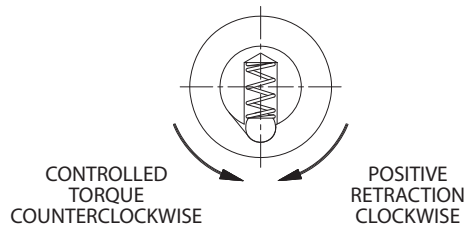
TORQUE SCREW JACKS

5

12L14 STEEL, BLACK OXIDE FINISH

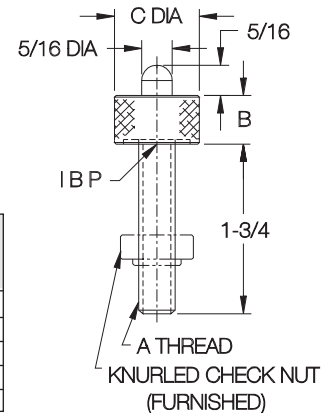


When indicated end force is reached, the knurled head disengages, eliminating the possibility of exerting excessive pressure on thinwall pieces. Furnished with Knurled Check Nut (**INFO+**: see page 311 for dimensions).



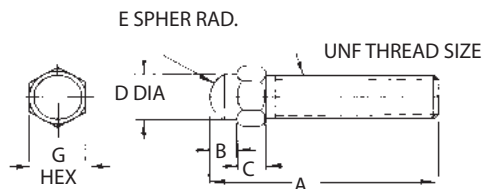
INCH

PART NO.	A	END FORCE (LBS)	B	C DIA	KNURLED CHECK NUT (FURNISHED)
CL-4-TSJ	1/4-20	12-14	7/16	7/8	CL-1420-TSJN
CL-4A-TSJ	5/16-18	14-16			CL-51618-TSJN
CL-5-TSJ	3/8-16	16-18	1/2	1-1/8	CL-3816-TSJN
CL-6-TSJ	1/2-13	18-20			CL-1213-TSJN
CL-8-TSJ	5/8-11	20-22			CL-5811-TSJN



ADJUSTABLE LOCATING BUTTONS

12L14 STEEL, CARBURIZED-HARDENED, BLACK OXIDE FINISH



A support screw with fine threads for precise adjustment. (Metric threads and CL-LB-2A are coarse).

INCH

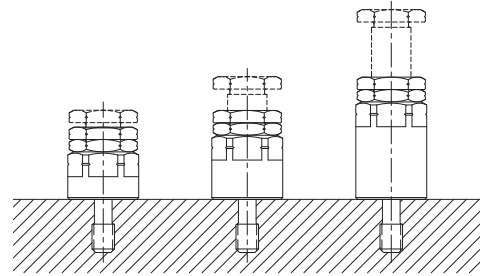
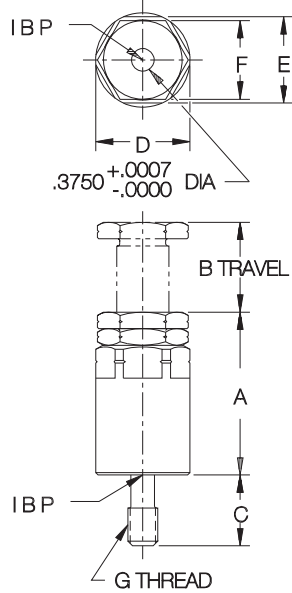
PART NO.	THREAD SIZE	A	B	C	D DIA	E	G
CL-LB-1	#10-32	1	1/8	1/8	3/16	1/8	1/4
CL-LB-2	1/4-28	1-1/2	3/16	3/16	1/4	3/16	3/8
CL-LB-2A	1/4-20						
CL-LB-7	5/16-24	1-3/4	1/4	1/4	5/16	3/16	7/16
CL-LB-3	3/8-24	2			3/8	1/4	1/2
CL-LB-4	1/2-20	2-1/2	5/16	5/16	1/2	5/16	5/8
CL-LB-5	5/8-18	3	3/8	3/8	5/8	3/8	3/4
CL-LB-6	3/4-16	3-1/2	7/16	7/16	3/4	7/16	7/8

METRIC

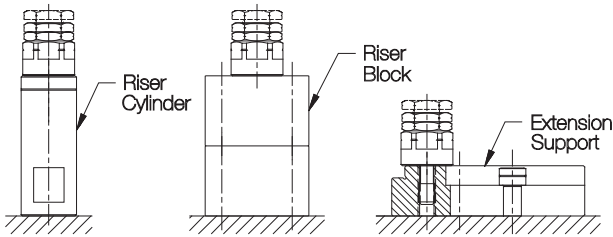
CLM-5-LB	M5	.98	.12	.12	.20	.20	8mm
CLM-6-LB	M6	1.57	.20	.20	.24	.20	10mm
CLM-8-LB	M8	1.77	.24	.24	.31	.20	13mm
CLM-10-LB	M10	1.97			.39	.24	17mm
CLM-12-LB	M12	2.56	.31	.31	.47	.31	19mm
CLM-16-LB	M16	2.95	.39	.39	.63	.39	24mm

HEAVY-DUTY SCREW JACKS

JACK SCREW: 4135 STEEL, HEAT TREATED, BLACK OXIDE FINISH
 TIP: 1144 OR 1045 STEEL, HEAT TREATED, BLACK OXIDE FINISH
 BODY: 1045 STEEL, BLACK OXIDE FINISH



Heavy-duty adjustable support that accepts any of the three tips shown below. Choice of three heights in each size cover the full range of height possibilities.



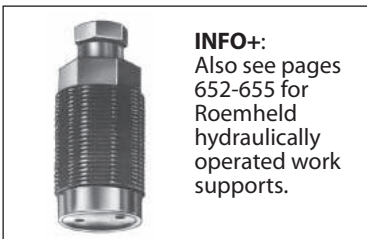
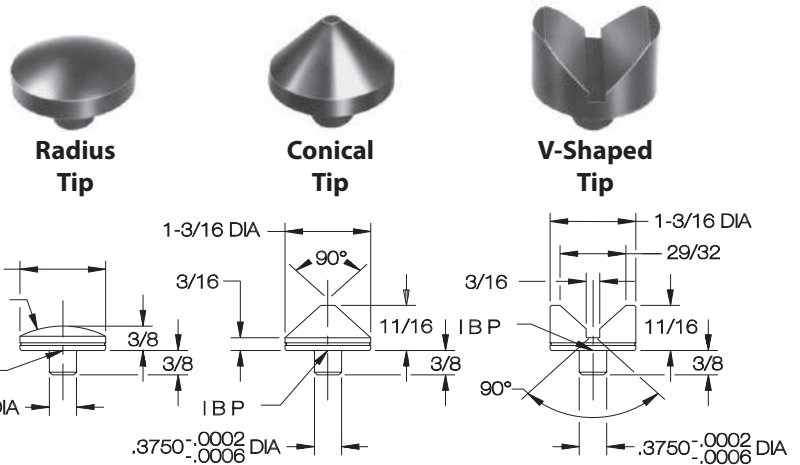
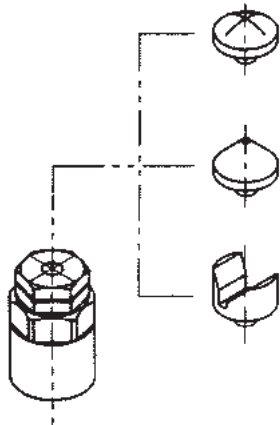
INFO+: For additional height and/or mounting flexibility, use Riser Cylinders (page 300), Support Riser Blocks (page 432), or Extension Supports (page 433).

SCREW JACKS (INCH)

PART NO.	MOUNTING SCREW SIZE	A	B	C	D DIA	E	F	G
CL-MF40-3401	1/2-13	1-5/8	3/8	1-1/4	1-9/16	1-7/16	1-5/16	1/2-13
CL-MF40-3402		2	3/4					
CL-MF40-3403		2-3/4	1-1/2					
CL-MF50-3401	5/8-11	1-5/8	3/8	1-3/8	1-9/16	1-7/16	1-5/16	5/8-11
CL-MF50-3402		2	3/4					
CL-MF50-3403		2-3/4	1-1/2					

SCREW JACKS (METRIC)

PART NO.	MOUNTING SCREW SIZE	A	B	C	D DIA	E	F	G
CL-MF12-3401	M12	1-5/8	3/8	1-1/4	1-9/16	1-7/16	1-5/16	M12
CL-MF12-3402		2	3/4					
CL-MF12-3403		2-3/4	1-1/2					
CL-MF16-3401	M16	1-5/8	3/8	1-3/8	1-9/16	1-7/16	1-5/16	M16
CL-MF16-3402		2	3/4					
CL-MF16-3403		2-3/4	1-1/2					



INFO+: Also see pages 652-655 for Roemheld hydraulically operated work supports.

SCREW-JACK TIPS

PART NO.	TYPE	FITS SCREW JACKS
CL-MF10-3501	RADIUS	ALL SIZES
CL-MF10-3502	CONICAL	
CL-MF10-3503	V-SHAPED	

The Absolute Source For Aerospace Tooling Components

High quality stock items from Carr Lane Manufacturing meet today's rigorous military and aerospace industry specifications.



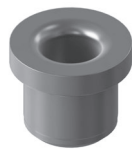
Floating Clamps
Page 305



Captive Locating Screws
and Jig Pins
Pages 34, 37-40



Air Rest Buttons
Page 222-223



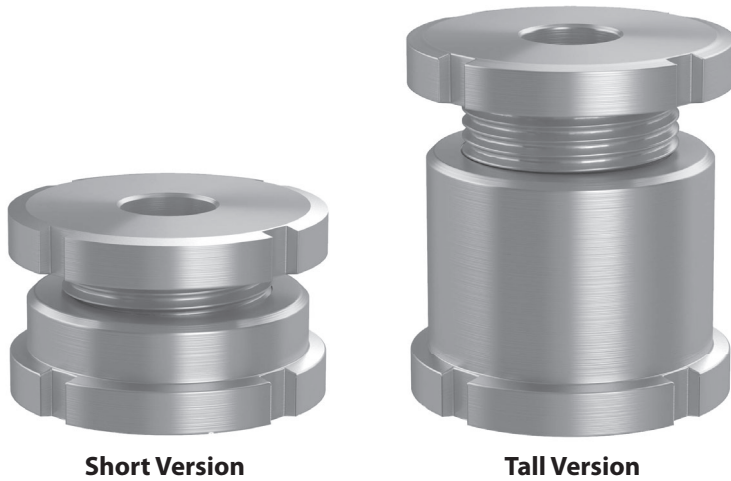
ON-SIZE® Bushings
Page 249



LIFE-EX® Pins
Page 238-239

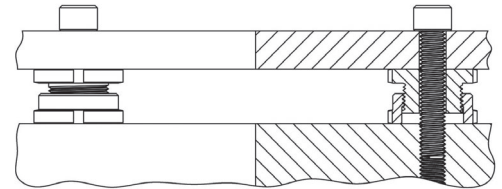
THROUGH-HOLE LEVELING JACKS

4140 ALLOY STEEL, ZINC PLATED BLUE PASSIVATED



Short Version

Tall Version



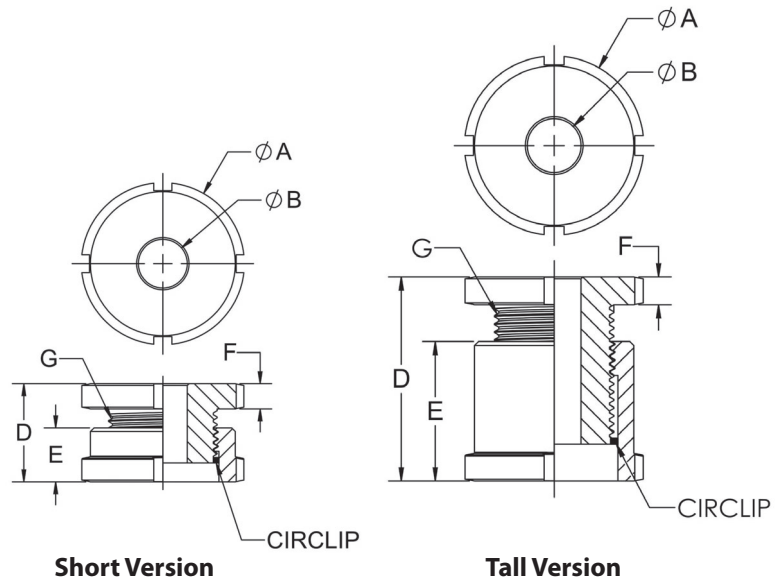
Clamping is achieved by tightening a bolt inserted through the workpiece and through the inside diameter of the leveling jack, after the desired level is set.

5

New item!

Through-Hole Leveling Jacks are designed for precise leveling at a desired clamping point. Clamping is achieved by tightening a bolt inserted through the workpiece and through the inside diameter of the leveling jack, after the desired level is set. The static load due to tightening the mounting bolt also securely locks the jack's rotation. These leveling jacks consist of a threaded upper sleeve and a tapped lower sleeve, with a fine thread that allows precise setting. An anti-rotation disk serves as a positive limiter for maximum height. A spanner wrench can be used for additional leverage.

The short version features an extremely low profile, higher load capacity, and a smaller height-adjustment range. The tall version provides a much greater adjustment range, while requiring additional support height and providing somewhat less load capacity. Both versions are available for 3/8", 1/2", and 5/8" bolt sizes (10, 12, and 16mm in metric).



SHORT VERSION

PART NO.	FOR BOLT SIZE	HEIGHT ADJUSTMENT RANGE	A DIA	B DIA	D MIN	D MAX	E	F	G THREAD	MAXIMUM STATIC LOAD AFTER STANDARD BOLT PRELOAD (lbs)
CL-310-TLJS	3/8" or M10	.20	1.26	.43	.71	.91	.47	.24	M20x1	8500
CL-412-TLJS	1/2" or M12	.27	1.77	.53	.87	1.14	.59	.28	M30x1.5	18000
CL-516-TLJS	5/8" or M16	.35	2.28	.69	1.10	1.45	.75	.35	M40x1.5	30000

TALL VERSION

CL-310-TLJT	3/8" or M10	.79	1.26	.43	1.38	2.17	.47	.24	M20x1	5200
CL-412-TLJT	1/2" or M12	.98	1.77	.53	1.65	2.63	.59	.28	M30x1.5	12000
CL-516-TLJT	5/8" or M16	1.26	2.28	.69	2.13	3.39	.75	.35	M40x1.5	20000

HORIZONTAL V BLOCKS

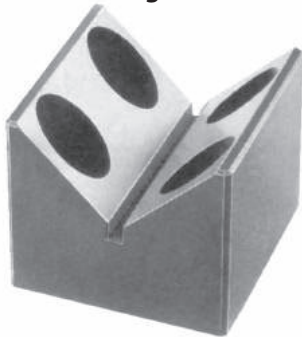
1045 STEEL, HEAT TREATED, BLACK OXIDE FINISH

Small V



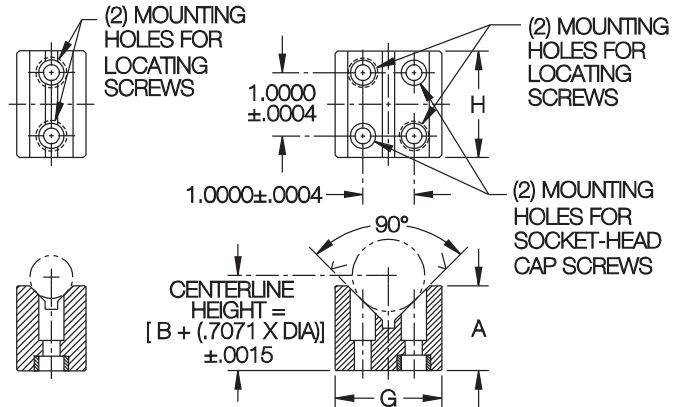
**Mini (2 Holes)
Standard (2 Holes)**

Large V



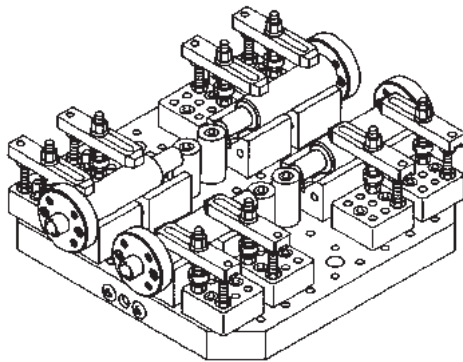
**Mini (4 Holes)
Standard (2 Holes)
Heavy (2 Holes)**

Extremely versatile locator for cylindrical workpieces. Locating surface is precision ground and accurately qualified with respect to the mounting holes. Two tapped holes in the side (standard and heavy sizes only) can be used to mount end stops or clamps. Available in two types: one for small diameters, and one for larger diameters. **INFO+**: Also see page 436 for Vertical V Blocks.

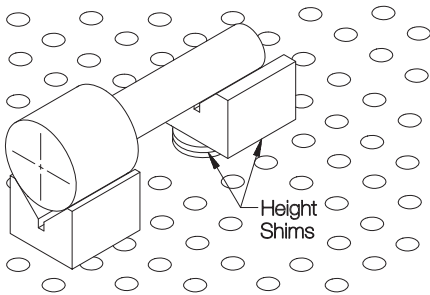


Mini—Small V

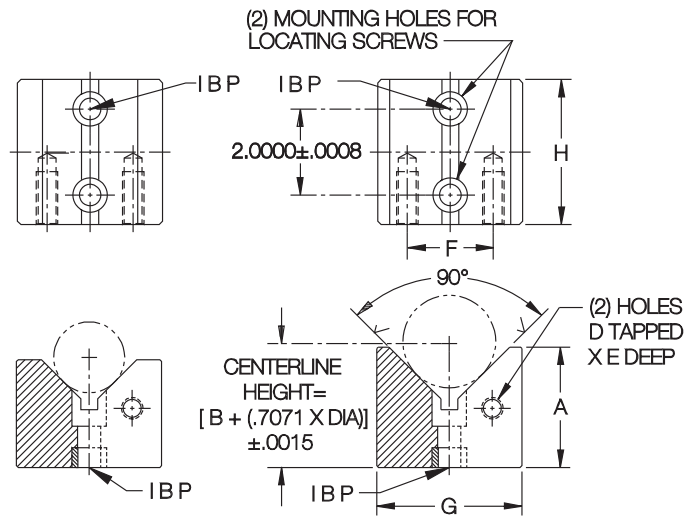
Mini—Large V



In the above example, Support Cylinders are used as end stops for shafts located in Horizontal V Blocks.



To locate a workpiece from two different diameters simultaneously, use Height Shims (**INFO+** page 228) to raise one V block to the proper level.



Standard—Small V

**Standard—Large V
Heavy—Large V**

SMALL V

SIZE	PART NO.	WORKPIECE DIAMETER RANGE	A	B	D	E	F	G	H	LOCATING SCREWS (2 REQD)	SOCKET-HEAD CAP SCREWS (0 OR 2 REQD)
MINI	CL-MF25-6001	3/8 to 1	1-1/4	.8750	—	—	—	1	1-3/4	CL-MF25-4300 + CL-5/16-18x1.38-SHCS	—
STANDARD	CL-MF40-6001	9/16 to 3-1/8	2-1/2	1.3951	1/2-13	1-1/8	2	3-3/8	3-3/8	CL-MF40-4302	—

LARGE V

MINI	CL-MF25-6002	9/16 to 2	1-1/2	.7500	—	—	—	1-3/4	1-3/4	CL-MF25-4300 + CL-5/16-18x1.38-SHCS	CL-5/16-18x1.38-SHCS
STANDARD	CL-MF40-6002	9/16 to 4	3	1.5858	1/2-13	1-1/8	2	3-3/8	3-3/8	CL-MF40-4302	—
HEAVY	CL-MF50-6002	9/16 to 4	3	1.5858	5/8-11	1-3/8	2	3-3/8	3-3/8	CL-MF50-4302	—

LOCATORS



Locating Pins



Construction Balls

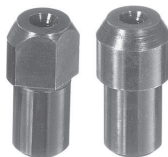


Fixture Keys

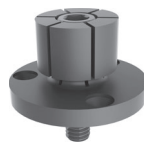
Also see:



**Center Locating Keys
for Rotary Tables**
p. 394



Fixture Locating Pins
p. 429



Internal Clamps
pp. 308-309



Carr Lock® System
pp. 358-372



**CL5® Quick-Change
5-Axis Workholding**
pp. 373-394



Rest Buttons & Pads
pp. 219-227

Nice shell.



Round & Diamond Locating Pins Now Available With LIFE-EX® Coating

Made from a proprietary PVD coating,
LIFE-EX® Locating Pins are very hard, abrasion resistant, and slippery.

The result is a component that has a longer lifecycle for high-production applications.

LIFE-EX® coating from Carr Lane Manufacturing extends the lifecycle of your locating pins, allowing them to remain in production longer with less need for replacement than standard uncoated items.

LIFE-EX® Locating Pins from Carr Lane will have you saying,
"That's one shell of a coating!"

LOCATING PINS

TYPES



ROUND & DIAMOND PINS

Precision locating pins with a chamfered tip for easy part loading, and a shoulder to resist downward forces. Round Pins and Diamond Pins are frequently used together to locate from two holes in a workpiece, or align two pieces of a fixture, without binding.



ROUND & DIAMOND LOCATING PINS

Functionally similar to Round and Diamond Pins, except with a wider selection of head diameters (including any custom diameter from .1150" to 1.0400") and a large shoulder to resist downward forces. Frequently used together to locate from two holes in a workpiece without binding.



FLOATING LOCATING PINS

These locating pins slide in a slotted bushing to provide precise location in one axis while allowing considerable float in the perpendicular axis. Functionally similar to Diamond Pins, except that they allow greater variation in hole spacing.



BULLET-NOSE DOWELS

Precision locating pin often used with a mating bushing to align two pieces of a fixture.



BULLET-NOSE PINS

Bullet-nose round pins and diamond pins are often used together, each with a mating bushing, to align two pieces of a fixture. The pin's shank diameter and the bushing's OD are the same size, to allow boring the installation hole in both fixture pieces at the same time, for greater accuracy.

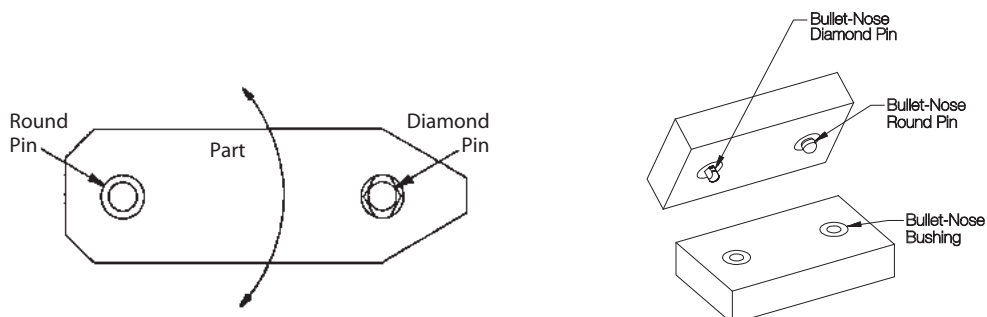


CONE-LOCATOR PINS

Medium-accuracy tapered locating pin used with a mating tapered bushing. Can be used for quick assembly of two fixture pieces.

TECHNICAL INFORMATION

Round Pins and Diamond Pins are frequently used together. Diamond Pins are relieved to locate only radially around the Round Pin, avoiding redundant location. This prevents binding while loading and unloading the part, yet still maintains high accuracy. The Round Pin serves as the primary, 2-axis locator, while the Diamond Pin is the secondary, 1-axis locator.



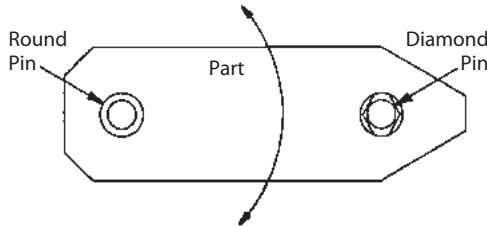
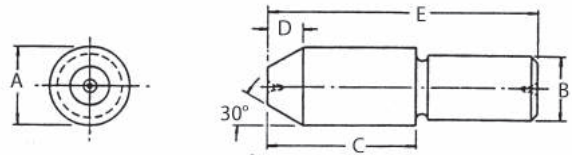
ROUND & DIAMOND PINS

1144 STEEL, HEAT TREATED RC 50-55 BLACK OXIDE FINISH



Round Pin

Diamond Pin



6

These precision locating pins have a chamfered tip for easy part loading, and a shoulder to resist downward forces – important advantages over standard dowel pins. One Round Pin and one Diamond Pin are often used together to locate from two machined holes in a workpiece, or to align two pieces of a fixture, without binding. Diamond Pins are relieved, to locate in only 1 axis. Round Pins are also extremely useful as side locators. Head and shank diameters are concentric to within .0005" TIR. Available with head diameters from 1/4 to 1" (6 to 20mm in metric).

ROUND PINS (INCH)

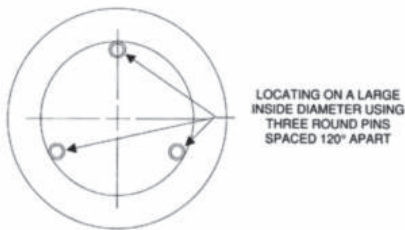
PART NO.	A HEAD DIA		B SHANK DIA		C	D	E
	NOMINAL	ACTUAL	NOMINAL	ACTUAL			
CL-1-RP	1/4	.2495/.2492	3/16	.1878/.1876	11/32	3/32	3/4
CL-2-RP	5/16	.3120/.3117	1/4	.2503/.2501	13/32		7/8
CL-3-RP	3/8	.3745/.3742	5/16	.3128/.3126	1/2	1/8	1
CL-4-RP	7/16	.4370/.4367	3/8	.3753/.3751	19/32	5/32	1-1/4
CL-5-RP	1/2	.4995/.4992	7/16	.4378/.4376	21/32		1-3/8
CL-6-RP	9/16	.5620/.5617	1/2	.5003/.5001	3/4	3/16	1-1/2
CL-7-RP	5/8	.6240/.6237	9/16	.5628/.5626	27/32	7/32	1-3/4
CL-8-RP	11/16	.6865/.6862	5/8	.6253/.6251	29/32		2
CL-9-RP	3/4	.7490/.7487	11/16	.6885/.6880	1	1/4	2-1/8
CL-10-RP	13/16	.8115/.8112	3/4	.7510/.7505	1-3/32	9/32	2-1/4
CL-11-RP	7/8	.8740/.8737	13/16	.8135/.8130	1-5/32		2-1/2
CL-12-RP	15/16	.9365/.9362	7/8	.8760/.8755	1-1/4	5/16	2-3/4
CL-13-RP	1	.9985/.9980	15/16	.9385/.9380	1-5/16		2-7/8

ROUND PINS (METRIC)

PART NO.	A HEAD DIA		B SHANK DIA		C	D	E
	NOMINAL	ACTUAL	NOMINAL	ACTUAL			
CLM-60-RP	6mm	.2357/.2354	5mm	.1972/.1970	11/32	3/32	3/4
CLM-80-RP	8mm	.3145/.3142	6mm	.2365/.2363	13/32		7/8
CLM-100-RP	10mm	.3932/.3929	8mm	.3153/.3151	1/2	1/8	1
CLM-120-RP	12mm	.4719/.4716	10mm	.3940/.3938	21/32	5/32	1-3/8
CLM-140-RP	14mm	.5507/.5504	12mm	.4727/.4725	3/4	3/16	1-1/2
CLM-160-RP	16mm	.6289/.6286	14mm	.5515/.5513	27/32	7/32	1-3/4
CLM-180-RP	18mm	.7077/.7074	16mm	.6302/.6300	29/32		2
CLM-200-RP	20mm	.7864/.7861	18mm	.7097/.7092	1-3/32	9/32	2-1/4

Also available with LIFE-EX® coating!

Many sizes of Round & Diamond Pins are available with our proprietary LIFE-EX® coating. This PVD coating is very hard, abrasion resistant, and slippery, resulting in a component that has a longer lifecycle for high-production applications. This extended lifecycle allows these items to remain in production longer with less need for replacement than standard uncoated items.



LOCATING ON A LARGE INSIDE DIAMETER USING THREE ROUND PINS SPACED 120° APART

A series of locating pins can be used to locate a large diameter, instead of making a custom locating plug. In this example, three Round Pins are positioned 120° apart around the internal diameter of a large bored hole.

LIFE-EX® ROUND PINS (INCH)

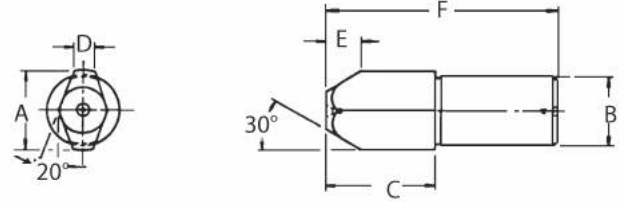
PART NO.	A HEAD DIA		B SHANK DIA		C	D	E
	NOMINAL	ACTUAL	NOMINAL	ACTUAL			
CL-2-RP-LX	5/16	.3120/.3117	1/4	.2503/.2501	13/32	3/32	7/8
CL-3-RP-LX	3/8	.3745/.3742	5/16	.3128/.3126	1/2	1/8	1
CL-5-RP-LX	1/2	.4995/.4992	7/16	.4378/.4376	21/32	5/32	1-3/8

LIFE-EX® ROUND PINS (METRIC)

PART NO.	A HEAD DIA		B SHANK DIA		C	D	E
	NOMINAL	ACTUAL	NOMINAL	ACTUAL			
CLM-80-RP-LX	8mm	.3145/.3142	6mm	.2365/.2363	13/32	3/32	7/8
CLM-100-RP-LX	10mm	.3932/.3929	8mm	.3153/.3151	1/2	1/8	1
CLM-120-RP-LX	12mm	.4719/.4716	10mm	.3940/.3938	21/32	5/32	1-3/8

ROUND & DIAMOND PINS

1144 STEEL, HEAT TREATED RC 50-55 BLACK OXIDE FINISH



DIAMOND PINS (INCH)

PART NO.			A HEAD DIA				B SHANK DIA		C	D	E	F
X (Tight)	Y (Medium)	Z (Loose)	NOMINAL	X	Y	Z	NOMINAL	ACTUAL				
CL-1-DPX	CL-1-DPY	CL-1-DPZ	1/4	.2493/.2490	.2485/.2482	.2470/.2467	3/16	.1878/.1876	11/32	.062	3/32	3/4
CL-2-DPX	CL-2-DPY	CL-2-DPZ	5/16	.3118/.3115	.3110/.3107	.3095/.3092	1/4	.2503/.2501	13/32	.078		7/8
CL-3-DPX	CL-3-DPY	CL-3-DPZ	3/8	.3743/.3740	.3735/.3732	.3720/.3717	5/16	.3128/.3126	1/2	.093	1/8	1
CL-4-DPX	CL-4-DPY	CL-4-DPZ	7/16	.4368/.4365	.4360/.4357	.4345/.4342	3/8	.3753/.3751	19/32	.109	5/32	1-1/4
CL-5-DPX	CL-5-DPY	CL-5-DPZ	1/2	.4993/.4990	.4985/.4982	.4970/.4967	7/16	.4378/.4376	21/32	.125		1-3/8
CL-6-DPX	CL-6-DPY	CL-6-DPZ	9/16	.5615/.5610	.5595/.5590	.5575/.5570	1/2	.5003/.5001	3/4	.140	3/16	1-1/2
CL-7-DPX	CL-7-DPY	CL-7-DPZ	5/8	.6240/.6235	.6220/.6215	.6200/.6195	9/16	.5628/.5626	27/32	.156	7/32	1-3/4
CL-8-DPX	CL-8-DPY	CL-8-DPZ	11/16	.6865/.6860	.6845/.6840	.6825/.6820	5/8	.6253/.6251	29/32	.172		2
CL-9-DPX	CL-9-DPY	CL-9-DPZ	3/4	.7490/.7485	.7470/.7465	.7450/.7445	11/16	.6885/.6880	1	.187	1/4	2-1/8
CL-11-DPX	CL-11-DPY	CL-11-DPZ	7/8	.8740/.8735	.8720/.8715	.8700/.8695	13/16	.8135/.8130	1-5/32	.219	9/32	2-1/2
CL-13-DPX	CL-13-DPY	CL-13-DPZ	1	.9980/.9972	.9960/.9952	.9920/.9912	15/16	.9385/.9380	1-5/16	.250	5/16	2-7/8

DIAMOND PINS (METRIC)

CLM-60-DPX	CLM-60-DPY	CLM-60-DPZ	6mm	.2357/.2354	.2347/.2344	.2332/.2329	5mm	.1972/.1970	11/32	.062	3/32	3/4
CLM-80-DPX	CLM-80-DPY	CLM-80-DPZ	8mm	.3145/.3142	.3135/.3132	.3120/.3117	6mm	.2365/.2363	13/32	.078		7/8
CLM-100-DPX	CLM-100-DPY	CLM-100-DPZ	10mm	.3932/.3929	.3922/.3919	.3907/.3904	8mm	.3153/.3151	1/2	.093	1/8	1
CLM-120-DPX	CLM-120-DPY	CLM-120-DPZ	12mm	.4719/.4716	.4709/.4706	.4694/.4691	10mm	.3940/.3938	21/32	.125	5/32	1-3/8
CLM-140-DPX	CLM-140-DPY	CLM-140-DPZ	14mm	.5507/.5504	.5482/.5477	.5462/.5457	12mm	.4727/.4725	3/4	.140	3/16	1-1/2
CLM-160-DPX	CLM-160-DPY	CLM-160-DPZ	16mm	.6289/.6286	.6269/.6264	.6249/.6244	14mm	.5515/.5513	27/32	.156	7/32	1-3/4
CLM-180-DPX	CLM-180-DPY	CLM-180-DPZ	18mm	.7077/.7074	.7057/.7052	.7037/.7032	16mm	.6302/.6300	29/32	.172		2
CLM-200-DPX	CLM-200-DPY	CLM-200-DPZ	20mm	.7864/.7861	.7844/.7839	.7824/.7819	18mm	.7097/.7092	1-3/32	.203	9/32	2-1/4

Also available with LIFE-EX® coating!

Many sizes of Round & Diamond Pins are available with our proprietary LIFE-EX® coating. This PVD coating is very hard, abrasion resistant, and slippery, resulting in a component that has a longer lifecycle for high-production applications. This extended lifecycle allows these items to remain in production longer with less need for replacement than standard uncoated items.

LIFE-EX® DIAMOND PINS (INCH)

PART NO.			A HEAD DIA				B SHANK DIA		C	D	E	F
X (Tight)	Y (Medium)	Z (Loose)	NOMINAL	X	Y	Z	NOMINAL	ACTUAL				
CL-2-DPX-LX	—	—	5/16	.3118/.3115	.3110/.3107	.3095/.3092	1/4	.2503/.2501	13/32	.078	3/32	7/8
CL-3-DPX-LX	—	—	3/8	.3743/.3740	.3735/.3732	.3720/.3717	5/16	.3128/.3126	1/2	.093	1/8	1
CL-5-DPX-LX	—	—	1/2	.4993/.4990	.4985/.4982	.4970/.4967	7/16	.4378/.4376	21/32	.125	5/32	1-3/8

LIFE-EX® DIAMOND PINS (METRIC)

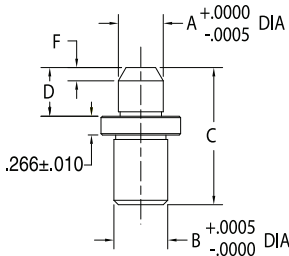
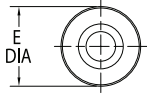
CLM-60-DPX-LX	—	—	6mm	.2357/.2354	.2347/.2344	.2332/.2329	5mm	.1972/.1970	11/32	.062	3/32	3/4
CLM-80-DPX-LX	—	—	8mm	.3145/.3142	.3135/.3132	.3120/.3117	6mm	.2365/.2363	13/32	.078		7/8
CLM-100-DPX-LX	—	—	10mm	.3932/.3929	.3922/.3919	.3907/.3904	8mm	.3153/.3151	1/2	.093	1/8	1

ROUND & DIAMOND LOCATING PINS

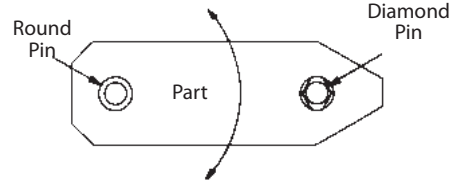
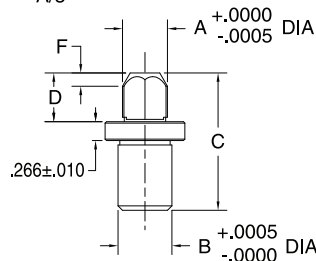
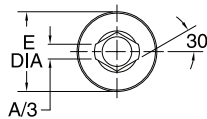
1144 STEEL, HEAT TREATED RC 50-55, BLACK OXIDE FINISH



Press-Fit Type Round Pin

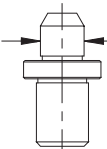


Press-Fit Type Diamond Pin



These precision locating pins are especially useful for workpiece location because of the wide selection of head diameters available to fit machined holes in the part. In addition to standard diameters, these pins are also quickly made to order in any special head diameter from .1150" to 1.0400" in .0001" increments. One Round Locating Pin and one Diamond Locating Pin is relieved to locate in only 1 axis. The type shown here, with a press-fit shank, is designed for permanent installation.

Round & Diamond Locating Pins are available in four standard shank diameters, each with a range of standard head diameters in 1/32" increments (2mm increments in metric), each available in either standard or undersize fit. Head and shank diameters are concentric to within .0005" TIR. Made in USA.



Special head diameters (A dimensions) are readily available in any of the four standard shank diameters:

- 5 = 5/16" shank (.1150-.3180 head dia)
- 8 = 1/2" shank (.2780-.5040 head dia)
- 12 = 3/4" shank (.4640-.7540 head dia)
- 16 = 1" shank (.7140-1.0040 head dia)

Example: For a press-fit round pin with a 1/2-inch shank and A=.4000 inches, order CL-8-RPT-.4000.

PRESS-FIT TYPE (INCH)

ROUND PIN PART NO.	DIAMOND PIN PART NO.	B SHANK DIA	A HEAD DIA		C	D	E DIA	F	G		
			NOMINAL	ACTUAL							
CL-123-RPT	CL-123-DPT	5/16	1/8	.1235	1-3/16	7/16	5/8	3/32	33/64		
CL-124-RPT	CL-124-DPT			.1245							
CL-154-RPT	CL-154-DPT			5/32						.1548	
CL-155-RPT	CL-155-DPT									.1558	
CL-186-RPT	CL-186-DPT									3/16	.1860
CL-187-RPT	CL-187-DPT										.1870
CL-217-RPT	CL-217-DPT		7/32								.2173
CL-218-RPT	CL-218-DPT										.2183
CL-248-RPT	CL-248-DPT			1/4							.2485
CL-249-RPT	CL-249-DPT										.2495
CL-279-RPT	CL-279-DPT									9/32	.2798
CL-280-RPT	CL-280-DPT										.2808
CL-311-RPT	CL-311-DPT	5/16	.3110								
CL-312-RPT	CL-312-DPT		.3120								
CL-310-RPT	CL-310-DPT		1/2	5/16	.3105	1-1/2	1/2	7/8	1/8		41/64
CL-3115-RPT	CL-3115-DPT				.3115						
CL-341-RPT	CL-341-DPT				11/32					.3418	
CL-342-RPT	CL-342-DPT									.3428	
CL-373-RPT	CL-373-DPT	3/8								.3730	
CL-374-RPT	CL-374-DPT									.3740	
CL-404-RPT	CL-404-DPT			13/32						.4043	
CL-405-RPT	CL-405-DPT									.4053	
CL-435-RPT	CL-435-DPT				7/16					.4355	
CL-436-RPT	CL-436-DPT									.4365	
CL-466-RPT	CL-466-DPT	15/32								.4668	
CL-467-RPT	CL-467-DPT									.4678	
CL-498-RPT	CL-498-DPT		1/2	.4980							
CL-499-RPT	CL-499-DPT			.4990							

CONTINUED ON NEXT PAGE

ROUND & DIAMOND LOCATING PINS

ROUND PIN PART NO.	DIAMOND PIN PART NO.	B SHANK DIA	A HEAD DIA		C	D	E DIA	F	G
			NOMINAL	ACTUAL					

CONTINUED FROM PREVIOUS PAGE

CL-4980-RPT	CL-4980-DPT	3/4	1/2	.4980	1-15/16	11/16	1-1/8	3/16	49/64						
CL-4990-RPT	CL-4990-DPT			.4990											
CL-529-RPT	CL-529-DPT		17/32	.5293											
CL-530-RPT	CL-530-DPT			.5303											
CL-560-RPT	CL-560-DPT		9/16	.5605											
CL-561-RPT	CL-561-DPT			.5615											
CL-591-RPT	CL-591-DPT		19/32	.5918											
CL-592-RPT	CL-592-DPT			.5928											
CL-623-RPT	CL-623-DPT		5/8	.6230											
CL-624-RPT	CL-624-DPT			.6240											
CL-654-RPT	CL-654-DPT		21/32	.6543											
CL-655-RPT	CL-655-DPT			.6553											
CL-685-RPT	CL-685-DPT		11/16	.6855											
CL-686-RPT	CL-686-DPT			.6865											
CL-716-RPT	CL-716-DPT		23/32	.7168											
CL-717-RPT	CL-717-DPT			.7178											
CL-748-RPT	CL-748-DPT		3/4	.7480											
CL-749-RPT	CL-749-DPT			.7490											
CL-7480-RPT	CL-7480-DPT		1	3/4						.7480	2-5/8	1	1-1/2	9/32	61/64
CL-7490-RPT	CL-7490-DPT									.7490					
CL-779-RPT	CL-779-DPT	25/32		.7793											
CL-780-RPT	CL-780-DPT			.7803											
CL-810-RPT	CL-810-DPT	13/16		.8105											
CL-811-RPT	CL-811-DPT			.8115											
CL-841-RPT	CL-841-DPT	27/32		.8418											
CL-842-RPT	CL-842-DPT			.8428											
CL-873-RPT	CL-873-DPT	7/8		.8730											
CL-874-RPT	CL-874-DPT			.8740											
CL-904-RPT	CL-904-DPT	29/32		.9043											
CL-905-RPT	CL-905-DPT			.9053											
CL-935-RPT	CL-935-DPT	15/16		.9355											
CL-936-RPT	CL-936-DPT			.9365											
CL-966-RPT	CL-966-DPT	31/32		.9668											
CL-967-RPT	CL-967-DPT			.9678											
CL-998-RPT	CL-998-DPT	1		.9980											
CL-999-RPT	CL-999-DPT			.9990											

6

PRESS-FIT TYPE (METRIC)

ROUND PIN PART NO.	DIAMOND PIN PART NO.	B SHANK DIA	A HEAD DIA		C	D	E DIA	F	G
			NOMINAL	ACTUAL					
CL-5-RPT-.2347	CL-5-DPT-.2347	5/16	6mm	.2347	1-3/16	7/16	5/8	3/32	33/64
CL-5-RPT-.2357	CL-5-DPT-.2357			.2357					
CL-8-RPT-.3130	CL-8-DPT-.3130	1/2	8mm	.3130	1-1/2	1/2	7/8	11/82	41/64
CL-8-RPT-.3140	CL-8-DPT-.3140			.3140					
CL-8-RPT-.3917	CL-8-DPT-.3917		10mm	.3917					
CL-8-RPT-.3927	CL-8-DPT-.3927			.3927					
CL-8-RPT-.4704	CL-8-DPT-.4704	12mm	.4704						
CL-8-RPT-.4714	CL-8-DPT-.4714		.4714						
CL-12-RPT-.5492	CL-12-DPT-.5492	3/4	14mm	.5492	1-15/16	11/16	1-1/8	3/16	49/64
CL-12-RPT-.5502	CL-12-DPT-.5502			.5502					
CL-12-RPT-.6279	CL-12-DPT-.6279		16mm	.6279					
CL-12-RPT-.6289	CL-12-DPT-.6289			.6289					
CL-12-RPT-.7067	CL-12-DPT-.7067	18mm	.7067						
CL-12-RPT-.7077	CL-12-DPT-.7077		.7077						
CL-16-RPT-.7854	CL-16-DPT-.7854	1	20mm	.7854	2-5/8	1	1-1/2	9/32	61/64
CL-16-RPT-.7864	CL-16-DPT-.7864			.7864					

ROUND & DIAMOND LOCATING PINS

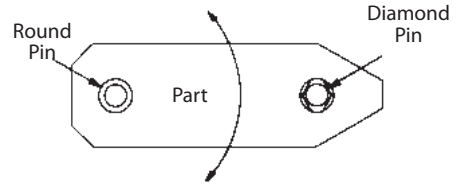
1144 STEEL, HEAT TREATED RC 50-55, BLACK OXIDE FINISH



Lockscrew-Type Round Pin

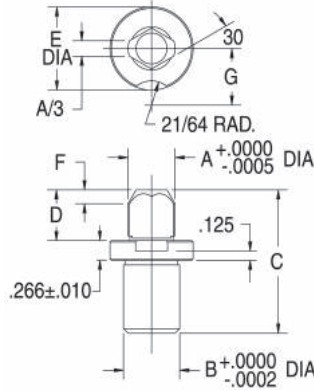
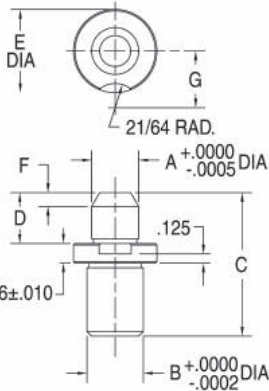


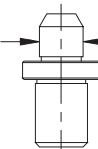
Lockscrew-Type Diamond Pin



These precision locating pins are especially useful for workpiece location because of the wide selection of head diameters available to fit machined holes in the part. In addition to standard diameters, these pins are also quickly made to order in any special head diameter from .1150" to 1.0400" in .0001" increments. One Round Locating Pin and one Diamond Locating Pin is relieved to locate in only 1 axis. The type shown here, with a slip-fit shank and lockscrew slot, is designed for renewable installation.

Round & Diamond Locating Pins are available in four standard shank diameters, each with a range of standard head diameters in 1/32" increments (2mm increments in metric), each available in either standard or undersize fit. Head and shank diameters are concentric to within .0005" TIR. Made in USA.





Special Head Diameters

Special head diameters (A dimensions) are readily available in any of the four standard shank diameters:

- 5 = 5/16" shank (.1150-.3180 head dia)
- 8 = 1/2" shank (.2780-.5040 head dia)
- 12 = 3/4" shank (.4640-.7540 head dia)
- 16 = 1" shank (.7140-1.0040 head dia)

Example: For a press-fit round pin with a 1/2-inch shank and A=.4000 inches, order CL-8-RLT-4000.

LOCKSCREW TYPE (INCH)

ROUND PIN PART NO.	DIAMOND PIN PART NO.	B SHANK DIA	A HEAD DIA		C	D	E DIA	F	G	LINER PART NO.	HEAD LINER PART NO.	LOCK-SCREW PART NO.
			NOMINAL	ACTUAL								
CL-123-RLT	CL-123-DLT	5/16	1/8	.1235	1-3/16	7/16	5/8	3/32	33/64	L-32-8	HL-32-8	LS-1
CL-124-RLT	CL-124-DLT			.1245								
CL-154-RLT	CL-154-DLT			.1548								
CL-155-RLT	CL-155-DLT		5/32	.1558								
CL-186-RLT	CL-186-DLT			.1860								
CL-187-RLT	CL-187-DLT			.1870								
CL-217-RLT	CL-217-DLT		7/32	.2173								
CL-218-RLT	CL-218-DLT			.2183								
CL-248-RLT	CL-248-DLT			.2485								
CL-249-RLT	CL-249-DLT		1/4	.2495								
CL-279-RLT	CL-279-DLT			.2798								
CL-280-RLT	CL-280-DLT			.2808								
CL-311-RLT	CL-311-DLT	5/16	.3110									
CL-312-RLT	CL-312-DLT		.3120									
CL-310-RLT	CL-310-DLT		.3105									
CL-3115-RLT	CL-3115-DLT	1/2	5/16	.3115	1-1/2	1/2	7/8	1/8	41/64	L-48-12	HL-48-12	LS-1
CL-341-RLT	CL-341-DLT			.3418								
CL-342-RLT	CL-342-DLT			.3428								
CL-373-RLT	CL-373-DLT		3/8	.3730								
CL-374-RLT	CL-374-DLT			.3740								
CL-404-RLT	CL-404-DLT			.4043								
CL-405-RLT	CL-405-DLT		13/32	.4053								
CL-435-RLT	CL-435-DLT			.4355								
CL-436-RLT	CL-436-DLT			.4365								
CL-466-RLT	CL-466-DLT		15/32	.4668								
CL-467-RLT	CL-467-DLT			.4678								
CL-498-RLT	CL-498-DLT			.4980								
CL-499-RLT	CL-499-DLT	1/2	.4990									

CONTINUED ON NEXT PAGE

ROUND & DIAMOND LOCATING PINS

ROUND PIN PART NO.	DIAMOND PIN PART NO.	B SHANK DIA	A HEAD DIA		C	D	E DIA	F	G	LINER PART NO.	HEAD LINER PART NO.	LOCK- SCREW PART NO.
			NOMINAL	ACTUAL								

CONTINUED FROM PREVIOUS PAGE

CL-4980-RLT	CL-4980-DLT	3/4	1/2	.4980	1-15/16	11/16	1-1/8	3/16	49/64	L-64-16	HL-64-16	LS-1																																																																									
CL-4990-RLT	CL-4990-DLT			.4990																																																																																	
CL-529-RLT	CL-529-DLT		17/32	.5293									1-15/16	11/16	1-1/8	3/16	49/64	L-64-16	HL-64-16	LS-1																																																																	
CL-530-RLT	CL-530-DLT			.5303																																																																																	
CL-560-RLT	CL-560-DLT		9/16	.5605																	1-15/16	11/16	1-1/8	3/16	49/64	L-64-16	HL-64-16	LS-1																																																									
CL-561-RLT	CL-561-DLT			.5615																																																																																	
CL-591-RLT	CL-591-DLT		19/32	.5918																									1-15/16	11/16	1-1/8	3/16	49/64	L-64-16	HL-64-16	LS-1																																																	
CL-592-RLT	CL-592-DLT			.5928																																																																																	
CL-623-RLT	CL-623-DLT		5/8	.6230																																	1-15/16	11/16	1-1/8	3/16	49/64	L-64-16	HL-64-16	LS-1																																									
CL-624-RLT	CL-624-DLT			.6240																																																																																	
CL-654-RLT	CL-654-DLT		21/32	.6543																																									1-15/16	11/16	1-1/8	3/16	49/64	L-64-16	HL-64-16	LS-1																																	
CL-655-RLT	CL-655-DLT			.6553																																																																																	
CL-685-RLT	CL-685-DLT		11/16	.6855																																																	1-15/16	11/16	1-1/8	3/16	49/64	L-64-16	HL-64-16	LS-1																									
CL-686-RLT	CL-686-DLT			.6865																																																																																	
CL-716-RLT	CL-716-DLT		23/32	.7168																																																									1-15/16	11/16	1-1/8	3/16	49/64	L-64-16	HL-64-16	LS-1																	
CL-717-RLT	CL-717-DLT			.7178																																																																																	
CL-748-RLT	CL-748-DLT		3/4	.7480																																																																	1-15/16	11/16	1-1/8	3/16	49/64	L-64-16	HL-64-16	LS-1									
CL-749-RLT	CL-749-DLT			.7490																																																																																	
CL-7480-RLT	CL-7480-DLT		1	3/4																																																																									.7480	2-5/8	1	1-1/2	9/32	61/64	L-88-22	HL-88-22	LS-1
CL-7490-RLT	CL-7490-DLT																																																																												.7490								
CL-779-RLT	CL-779-DLT	25/32		.7793	2-5/8	1	1-1/2	9/32	61/64	L-88-22	HL-88-22	LS-1																																																																									
CL-780-RLT	CL-780-DLT			.7803																																																																																	
CL-810-RLT	CL-810-DLT	13/16		.8105									2-5/8	1	1-1/2	9/32	61/64	L-88-22	HL-88-22	LS-1																																																																	
CL-811-RLT	CL-811-DLT			.8115																																																																																	
CL-841-RLT	CL-841-DLT	27/32		.8418																	2-5/8	1	1-1/2	9/32	61/64	L-88-22	HL-88-22	LS-1																																																									
CL-842-RLT	CL-842-DLT			.8428																																																																																	
CL-873-RLT	CL-873-DLT	7/8		.8730																									2-5/8	1	1-1/2	9/32	61/64	L-88-22	HL-88-22	LS-1																																																	
CL-874-RLT	CL-874-DLT			.8740																																																																																	
CL-904-RLT	CL-904-DLT	29/32		.9043																																	2-5/8	1	1-1/2	9/32	61/64	L-88-22	HL-88-22	LS-1																																									
CL-905-RLT	CL-905-DLT			.9053																																																																																	
CL-935-RLT	CL-935-DLT	15/16		.9355																																									2-5/8	1	1-1/2	9/32	61/64	L-88-22	HL-88-22	LS-1																																	
CL-936-RLT	CL-936-DLT			.9365																																																																																	
CL-966-RLT	CL-966-DLT	31/32		.9668																																																	2-5/8	1	1-1/2	9/32	61/64	L-88-22	HL-88-22	LS-1																									
CL-967-RLT	CL-967-DLT			.9678																																																																																	
CL-998-RLT	CL-998-DLT	1		.9980																																																									2-5/8	1	1-1/2	9/32	61/64	L-88-22	HL-88-22	LS-1																	
CL-999-RLT	CL-999-DLT			.9990																																																																																	

6

LOCKSCREW TYPE (METRIC)

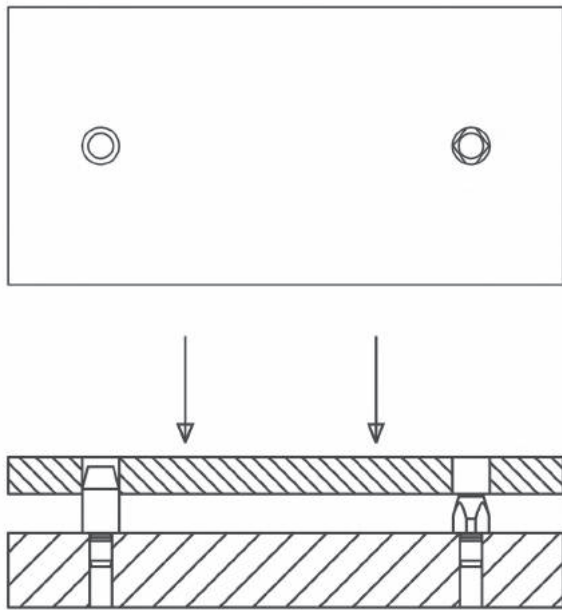
ROUND PIN PART NO.	DIAMOND PIN PART NO.	B SHANK DIA	A HEAD DIA		C	D	E DIA	F	G	LINER PART NO.	HEAD LINER PART NO.	LOCK- SCREW PART NO.																					
			NOMINAL	ACTUAL																													
CL-5-RLT-.2347	CL-5-DLT-.2347	5/16	6mm	.2347	1-3/16	7/16	5/8	3/32	33/64	L-32-8	HL-32-8	LS-1																					
CL-5-RLT-.2357	CL-5-DLT-.2357			.2357																													
CL-8-RLT-.3130	CL-8-DLT-.3130	1/2	8mm	.3130	1-1/2	1/2	7/8	11/82	41/64	L-48-12	HL-48-12		LS-1																				
CL-8-RLT-.3140	CL-8-DLT-.3140			.3140																													
CL-8-RLT-.3917	CL-8-DLT-.3917		10mm	.3917										1-1/2	1/2	7/8	11/82	41/64	L-48-12	HL-48-12	LS-1												
CL-8-RLT-.3927	CL-8-DLT-.3927			.3927																													
CL-8-RLT-.4704	CL-8-DLT-.4704	12mm	.4704	1-1/2	1/2	7/8	11/82	41/64	L-48-12	HL-48-12	LS-1																						
CL-8-RLT-.4714	CL-8-DLT-.4714		.4714																														
CL-12-RLT-.5492	CL-12-DLT-.5492	3/4	14mm											.5492	1-15/16	11/16	1-1/8	3/16	49/64	L-64-164		HL-64-164	LS-1										
CL-12-RLT-.5502	CL-12-DLT-.5502													.5502																			
CL-12-RLT-.6279	CL-12-DLT-.6279		16mm	.6279	1-15/16	11/16	1-1/8	3/16	49/64	L-64-164				HL-64-164										LS-1									
CL-12-RLT-.6289	CL-12-DLT-.6289			.6289																													
CL-12-RLT-.7067	CL-12-DLT-.7067		18mm	.7067																					1-15/16	11/16	1-1/8	3/16	49/64	L-64-164	HL-64-164	LS-1	
CL-12-RLT-.7077	CL-12-DLT-.7077			.7077																													
CL-16-RLT-.7854	CL-16-DLT-.7854	1	20mm	.7854											2-5/8	1	1-1/2	9/32	61/64	L-88-22		HL-88-22											LS-1
CL-16-RLT-.7864	CL-16-DLT-.7864			.7864																													

Order liner bushing and lock screws separately. See table above for proper sizes. (See drill-bushing catalog section for additional dimensions).



ROUND & DIAMOND LOCATING PINS DIN 6321

A2 TOOL STEEL, HEAT TREATED, BLACK OXIDE FINISH

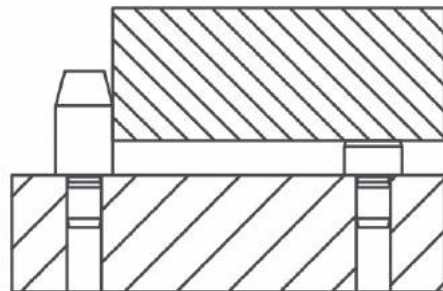


In this application, a Round Locating Pin (Type B, tall version) is used together with a Diamond Locating Pin (Type C, short version) to locate from two holes in a workpiece. Using a taller round pin allows smoother loading because that pin's hole can be fully engaged first, making it easier to engage the second hole.

New item!

DIN 6321 is a system of locating pins designed for hole location, side location, and supporting. These locating pins are available in three distinct types:

- Type A Round Locating Pads are dual-purpose precision locators, with a ground top surface for use as a rest pad, and a ground head diameter for use as a locating pin.
- Type B Round Locating Pins have a ground head diameter for use as a hole locator or for side location
- Type C Diamond Locating Pins also have a ground head diameter for use as a hole locator, but are relieved to locate in only 1 axis



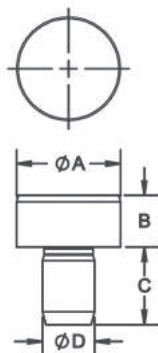
In this application, a Round Locating Pin (Type B) is used as a side locator, together with a Round Locating Pad (Type A) used as a rest pad.

6



**Round Locating Pads
DIN 6321
Type A**

Round Locating Pads per DIN 6321 Type A are dual-purpose precision locators, with a ground top surface for use as a rest pad, and a ground head diameter for use as a locating pin. These pads are especially useful as locating pins for side location of thin workpieces. Available with head diameters from 6 to 25mm.



ROUND LOCATING PADS, TYPE A (METRIC)

PART NO.	A DIA (mm) g6	B (mm) h9	C (mm)	D (mm) n6
CL-6321-6-5-A	6	5	6	4
CL-6321-10-6-A	10	6	9	6
CL-6321-16-8-A	16	8	12	8
CL-6321-25-10-A	25	10	18	12

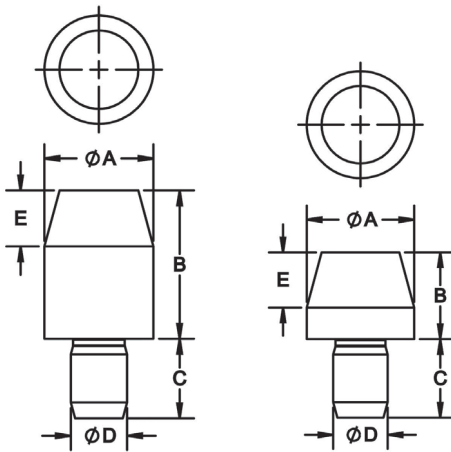
ROUND & DIAMOND LOCATING PINS DIN 6321

A2 TOOL STEEL, HEAT TREATED, BLACK OXIDE FINISH



**Round Locating Pins
DIN 6321
Type B
(Tall and Short)**

Round Locating Pins per DIN 6321 Type B have a ground head diameter for use as a hole locator or for side location. One Round Locating Pin and one Diamond Locating Pin are often used together to locate from two machined holes in a workpiece, or to align two pieces of a fixture, without binding. Round Locating Pins are also extremely useful as side locators. Head and shank diameters are concentric to within .0005" TIR. Available with head diameters from 6 to 25mm, each in a tall and a short version.



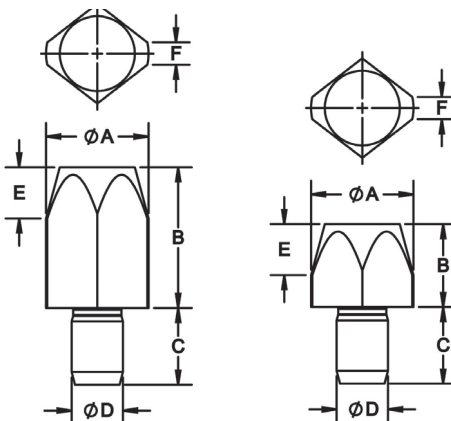
ROUND LOCATING PINS, TYPE B (METRIC)

PART NO.	A DIA (mm) g6	VERSION	B (mm)	C (mm)	D DIA (mm) n6	E (mm)
CL-6321-6-7-B	6	Short	7	6	4	4
CL-6321-6-12-B		Tall	12			
CL-6321-8-10-B	8	Short	10	9	6	6
CL-6321-8-16-B		Tall	16			
CL-6321-10-10-B	10	Short	10	9	6	6
CL-6321-10-18-B		Tall	18			
CL-6321-12-10-B	12	Short	10	9	6	6
CL-6321-12-18-B		Tall	18			
CL-6321-16-13-B	16	Short	13	12	8	8
CL-6321-16-22-B		Tall	22			
CL-6321-20-15-B	20	Short	15	18	12	9
CL-6321-20-25-B		Tall	25			
CL-6321-25-15-B	25	Short	15	18	12	9
CL-6321-25-25-B		Tall	25			



**Diamond Locating Pins
DIN 6321
Type C
(Tall and Short)**

Diamond Locating Pins per DIN 6321 Type C also have a ground head diameter for use as a hole locator, but are relieved to locate in only 1 axis. One Round Locating Pin and one Diamond Locating Pin are often used together to locate from two machined holes in a workpiece, or to align two pieces of a fixture, without binding. Head and shank diameters are concentric to within .0005" TIR. Available with head diameters from 6 to 25mm, each in a tall and a short version.



DIAMOND LOCATING PINS, TYPE C (METRIC)

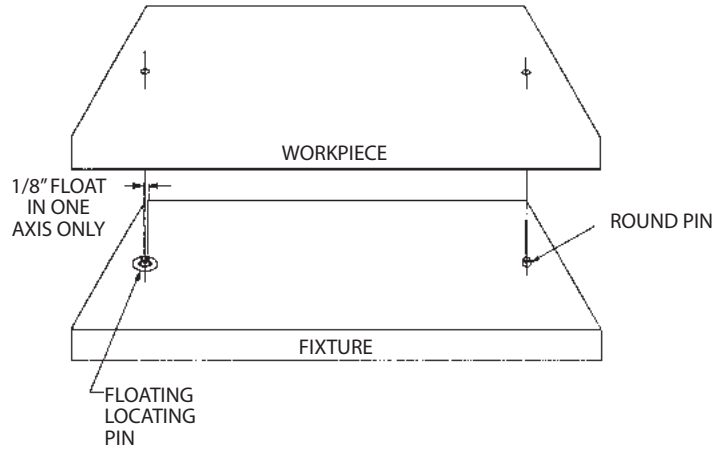
PART NO.	A DIA (mm) g6	VERSION	B (mm)	C (mm)	D DIA (mm) n6	E (mm)	F (mm)
CL-6321-6-7-C	6	Short	7	6	4	4	1
CL-6321-6-12-C		Tall	12				
CL-6321-8-10-C	8	Short	10	9	6	6	1.6
CL-6321-8-16-C		Tall	16				
CL-6321-10-10-C	10	Short	10	9	6	6	2.5
CL-6321-10-18-C		Tall	18				
CL-6321-12-10-C	12	Short	10	9	6	6	2.5
CL-6321-12-18-C		Tall	18				
CL-6321-16-13-C	16	Short	13	12	8	8	3.5
CL-6321-16-22-C		Tall	22				
CL-6321-20-15-C	20	Short	15	18	12	9	5
CL-6321-20-25-C		Tall	25				
CL-6321-25-15-C	25	Short	15	18	12	9	5
CL-6321-25-25-C		Tall	25				

FLOATING LOCATING PINS

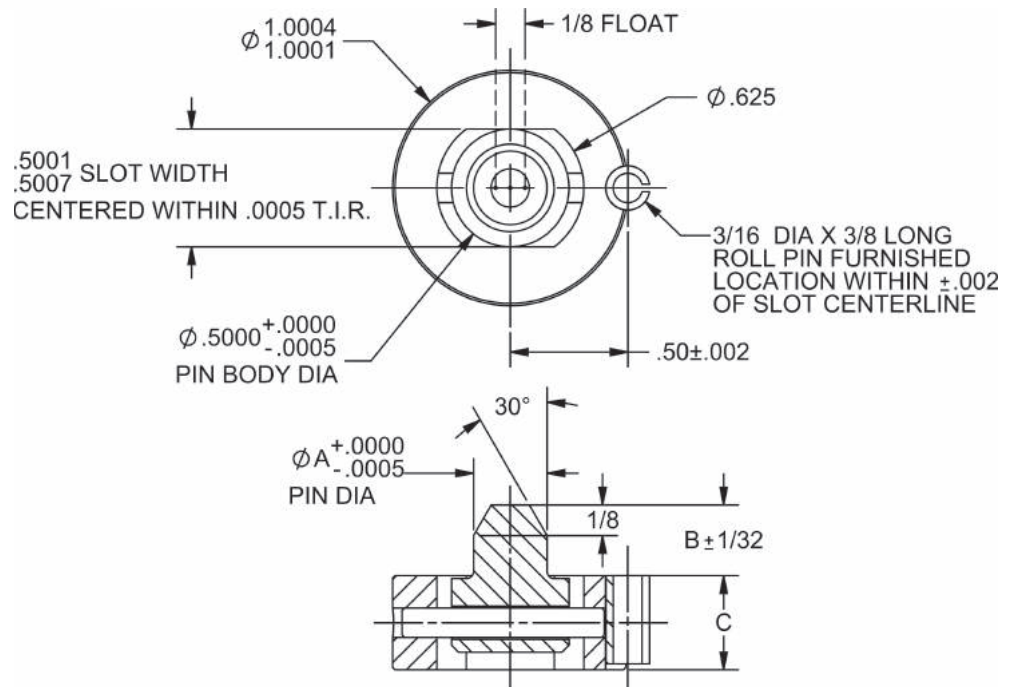
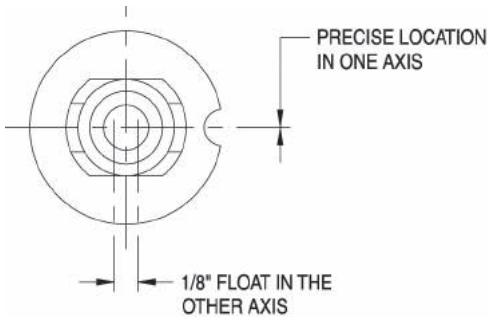
BODY: TOOL STEEL, HEAT TREATED, BLACK OXIDE FINISH
 PIN: 1144 STEEL, HEAT TREATED, BLACK OXIDE FINISH



Provides precise location in one axis while allowing considerable float in the perpendicular axis. Use in conjunction with a Round Pin when loose workpiece-hole tolerances require more float than a Diamond Pin would allow. Special pin diameters (A dimensions) are available. Please contact factory. **Patent no. 3,381,554.**



6



INCH

PART NO.	A DIA	B	C
CL-4-FLP	.2500	.300	.400
CL-5-FLP	.3125	.300	.400
CL-6-FLP	.3750	.300	.400
CL-8-FLP	.5000	.300	.400
CL-10-FLP	.6250	.310	.400

BULLET-NOSE PINS

1144 STEEL, HEAT TREATED RC 50-62, BLACK OXIDE FINISH



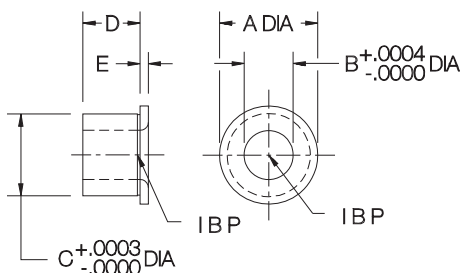
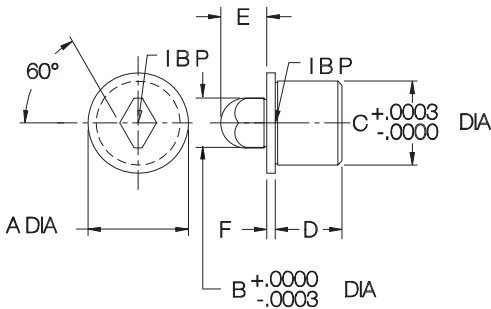
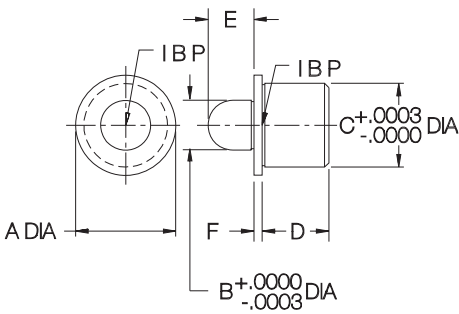
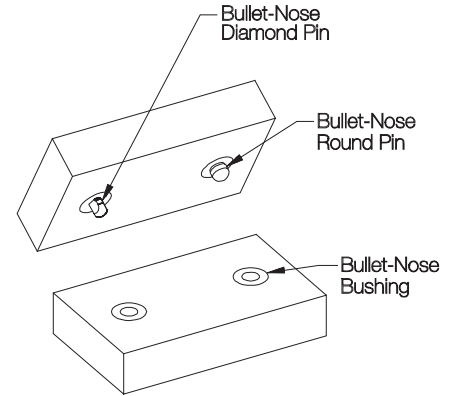
Bullet-Nose Round Pin

Bushing

Bullet-Nose Diamond Pin

Bullet-Nose Round Pins and Diamond Pins are often used together (with matching bushings) to align two pieces of a fixture. The Diamond Pin is relieved, to locate only radially around the round pin, avoiding redundant location. This prevents binding, yet still maintains high accuracy.

The pin's shank diameter and the bushing's OD are the same size to allow boring the installation hole in both fixture pieces at the same time, for greater accuracy. The pin's head and shank diameters are concentric to within .0005 TIR. The bushing's ID and OD are concentric to within .0003 TIR.



ROUND PINS (INCH)

PART NO.	A DIA	B HEAD DIA		C SHANK DIA		D	E	F
		NOMINAL	ACTUAL	NOMINAL	ACTUAL			
CL-8-BND	9/16	1/4	.2499	13/32	.4075	3/8	7/32	1/16
CL-9-BND	5/8	5/16	.3124	1/2	.5014		9/32	
CL-10-BND	3/4	3/8	.3748	5/8	.6265	1/2	11/32	
CL-11-BND	7/8	1/2	.4998	3/4	.7515	3/4	9/16	1/8
CL-12-BND	1-1/8	3/4	.7498	1	1.0015		11/16	
CL-13-BND	1-1/2	1	.9998	1-3/8	1.3768	3/4	3/4	

ROUND PINS (METRIC)

CLM-6-BRP	.512	6mm	.2361	10mm	.3950	.35	.24	.079
CLM-8-BRP	.591	8mm	.3149	12mm	.4738		.28	
CLM-10-BRP	.709	10mm	.3935	15mm	.5921	.35		
CLM-12-BRP	.866	12mm	.4722	18mm	.7102	.43	.39	

DIAMOND PINS (INCH)

CL-8-BDP	9/16	1/4	.2499	13/32	.4075	3/8	7/32	1/16
CL-9-BDP	5/8	5/16	.3124	1/2	.5014		9/32	
CL-10-BDP	3/4	3/8	.3748	5/8	.6265	1/2	11/32	
CL-11-BDP	7/8	1/2	.4998	3/4	.7515	3/4	9/16	1/8
CL-12-BDP	1-1/8	3/4	.7498	1	1.0015		11/16	
CL-13-BDP	1-1/2	1	.9998	1-3/8	1.3768	3/4	3/4	

DIAMOND PINS (METRIC)

CLM-6-BDP	.512	6mm	.2361	10mm	.3950	.35	.24	.079
CLM-8-BDP	.591	8mm	.3149	12mm	.4738		.28	
CLM-10-BDP	.709	10mm	.3935	15mm	.5921	.35		
CLM-12-BDP	.866	12mm	.4722	18mm	.7102	.43	.39	

BUSHINGS (INCH)

PART NO.	A DIA	B DIA		C DIA		D	E
		NOMINAL	ACTUAL	NOMINAL	ACTUAL		
CLB-8000	9/16	1/4	.2501	13/32	.4075	7/16	1/16
CLB-9000	5/8	5/16	.3126	1/2	.5014		
CLB-10000	3/4	3/8	.3751	5/8	.6265	1/2	
CLB-11000	7/8	1/2	.5001	3/4	.7515		11/16
CLB-12000	1-1/8	3/4	.7502	1	1.0015	11/16	
CLB-13000	1-1/2	1	1.0002	1-3/8	1.3768		11/16

BUSHINGS (METRIC)

CLM-6-B	.512	6mm	.2363	10mm	.3950	.31	.079
CLM-8-B	.591	8mm	.3151	12mm	.4738		
CLM-10-B	.709	10mm	.3938	15mm	.5921	.35	
CLM-12-B	.866	12mm	.4725	18mm	.7102	.39	

BULLET-NOSE DOWELS

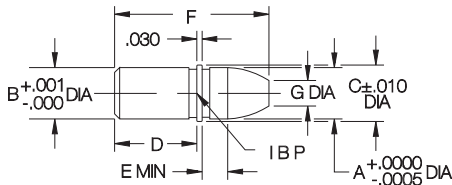
1144 STEEL, HEAT TREATED RC 50-62, BLACK OXIDE FINISH



Dowel Pin

Bushing

Precision locating pin often used with a matching bushing to align two pieces of a fixture. The pin's head and shank diameters are concentric to within .0005 TIR. The bushing's ID and OD are concentric to within .0003 TIR.



DOWEL PINS (INCH)

PART NO.	A HEAD DIA		B SHANK DIA		C DIA	D	E	F	G DIA
	NOMINAL	ACTUAL	NOMINAL	ACTUAL					
CL-1-BND	1/4	.2499	1/4	.2510	.280	1/2	.12	.90	1/8
CL-2-BND	5/16	.3124	5/16	.3135	.344		.15	.94	5/32
CL-3-BND	3/8	.3749	3/8	.3760	.407		.18	1.03	3/16
CL-4-BND	1/2	.4999	1/2	.5010	.532		.18	1.09	1/4

DOWEL PINS (METRIC)

PART NO.	A		B		C	D	E	F	G
	mm	ACTUAL	mm	ACTUAL					
CLM-60-BND	6mm	.2361	6mm	.2372	.276	.47	.12	.86	.12
CLM-80-BND	8mm	.3149	8mm	.3160	.354		.15	.91	.16
CLM-100-BND	10mm	.3936	10mm	.3947	.433		.19	.98	.20
CLM-120-BND	12mm	.4723	12mm	.4734	.512		.19	1.06	.24

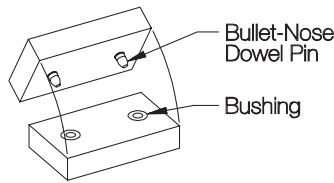
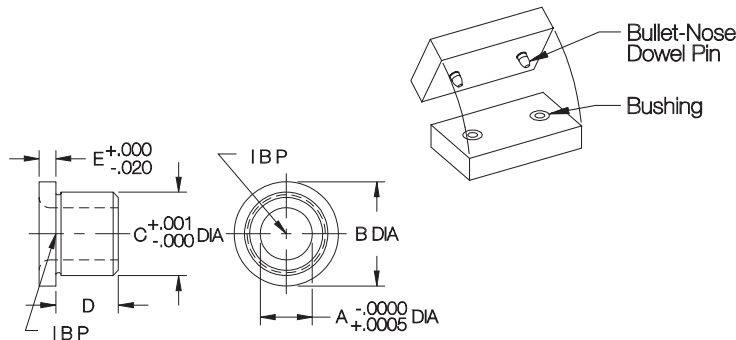
BUSHINGS (INCH)

PART NO.	A DIA		B DIA	C DIA		D	E
	NOMINAL	ACTUAL		NOMINAL	ACTUAL		
CLB-1000	1/4	.2501	.625	1/2	.5002	3/8	.100
CLB-2000	5/16	.3126	.750	5/8	.6253	1/2	
CLB-3000	3/8	.3751	.875	3/4	.7504	5/8	
CLB-4000	1/2	.5001	.875	3/4	.7504	5/8	

BUSHINGS (METRIC)

PART NO.	A		B	C		D	E
	mm	ACTUAL		mm	ACTUAL		
CLM-60-B	6mm	.2363	.512	10mm	.3939	.276	.118
CLM-80-B	8mm	.3151	.591	12mm	.4726		
CLM-100-B	10mm	.3938	.709	15mm	.5909	.354	
CLM-120-B	12mm	.4725	.866	18mm	.7091	.472	

6



CONE LOCATOR PINS

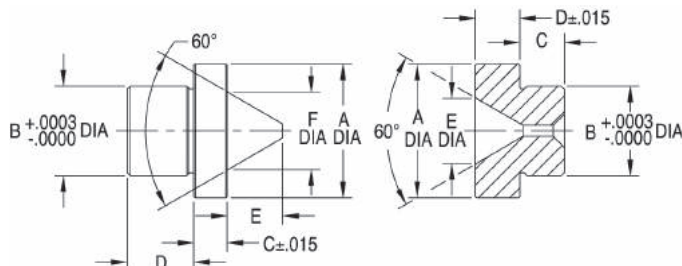
12L14 STEEL, CARBURIZED-HARDENED, BLACK OXIDE FINISH



Pin

Bushing

Medium-accuracy tapered locating pin used with the mating bushing. These pins can be used for quick assembly of two fixture pieces, because they compensate for considerable misalignment. The pin's shank diameter and the bushing's OD are exactly the same size, to allow boring the installation hole in both fixture pieces at the same time for greater accuracy.



PIN (INCH)

PART NO.	A DIA	B DIA		C	D	E	F DIA
		NOMINAL	ACTUAL				
CL-5-CLP	3/4	1/2	.5014	3/16	3/8	5/16	.438
CL-7-CLP	1	3/4	.7515	3/16	9/16	1/2	.676

PIN (METRIC)

PART NO.	A DIA	B DIA	C	D	E	F DIA	
							mm
CLM-5-CLP	3/4	12mm	.4738	3/16	3/8	5/16	.438
CLM-7-CLP	1	20mm	.7889	3/16	9/16	1/2	.676

BUSHING (INCH)

PART NO.	A DIA	B DIA		C	D	E	GAP BETWEEN PIN & BUSHING HEAD WHEN ASSEMBLED
		NOMINAL	ACTUAL				
CL-5-CLB	3/4	1/2	.5014	1/4	1/4	.370	.050-.068
CL-7-CLB	1	3/4	.7515	3/8	3/8	.616	.043-.061

BUSHING (METRIC)

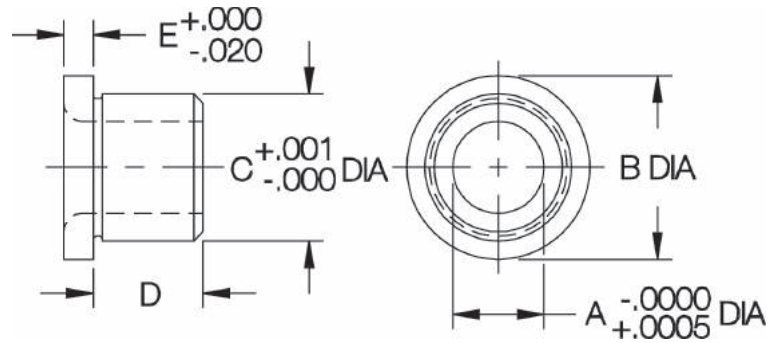
PART NO.	A DIA	B DIA	C	D	E	GAP BETWEEN PIN & BUSHING HEAD WHEN ASSEMBLED	
							mm
CLM-5-CLB	3/4	12mm	.4738	1/4	1/4	.370	.050-.068
CLM-7-CLB	1	20mm	.7889	3/8	3/8	.616	.043-.061

ON-SIZE® BUSHINGS

INVAR 36® NICKEL-IRON ALLOY



**ON-SIZE® Bushings
for Bullet-Nose Dowels
(Head Type)**



ON-SIZE® Bushings are made from Invar 36, a 36% nickel-iron alloy that has an extremely low coefficient of thermal expansion. Invar material is particularly useful in applications where minimum thermal expansion and high dimensional stability is required. Useful in high temperature applications up to 750°F (400°C), these products will maintain their size and accuracy even under heat-cool multiple cycles.

The precision bushings shown here are used with Bullet-Nose Dowels to align two pieces of a fixture. The bushing's ID and OD are concentric to within .0003" TIR. Available for pin diameters 1/4, 5/16, 3/8, and 1/2" (6, 8, 10, and 12mm in metric).

HEAD TYPE (INCH)

PART NO.	A DIA		B DIA	C DIA		D	E
	NOMINAL	ACTUAL		NOMINAL	ACTUAL		
CL-1000-BNV	1/4	.2501	.625	1/2	.5002	3/8	.100
CL-2000-BNV	5/16	.3126	.625	1/2	.5002	3/8	.100
CL-3000-BNV	3/8	.3751	.750	5/8	.6253	1/2	.100
CL-4000-BNV	1/2	.5001	.875	3/4	.7504	5/8	.100

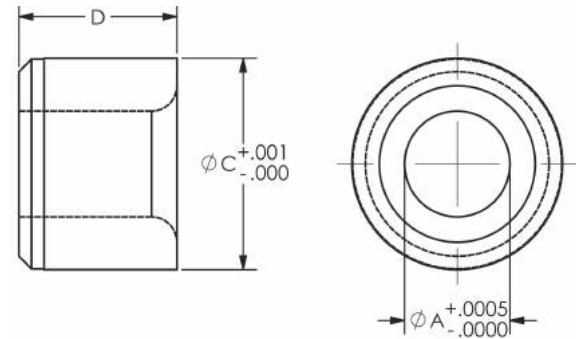
HEAD TYPE (METRIC)

CLM-60-BNV	6mm	.2363	.512	10mm	.3939	.276	.118
CLM-80-BNV	8mm	.3151	.591	12mm	.4726	.276	.118
CLM-100-BNV	10mm	.3938	.709	15mm	.5909	.354	.118
CLM-120-BNV	12mm	.4725	.866	18mm	.7091	.472	.157

6



**ON-SIZE® Bushings
for Bullet-Nose Dowels
(Headless Type)**



HEADLESS TYPE (INCH)

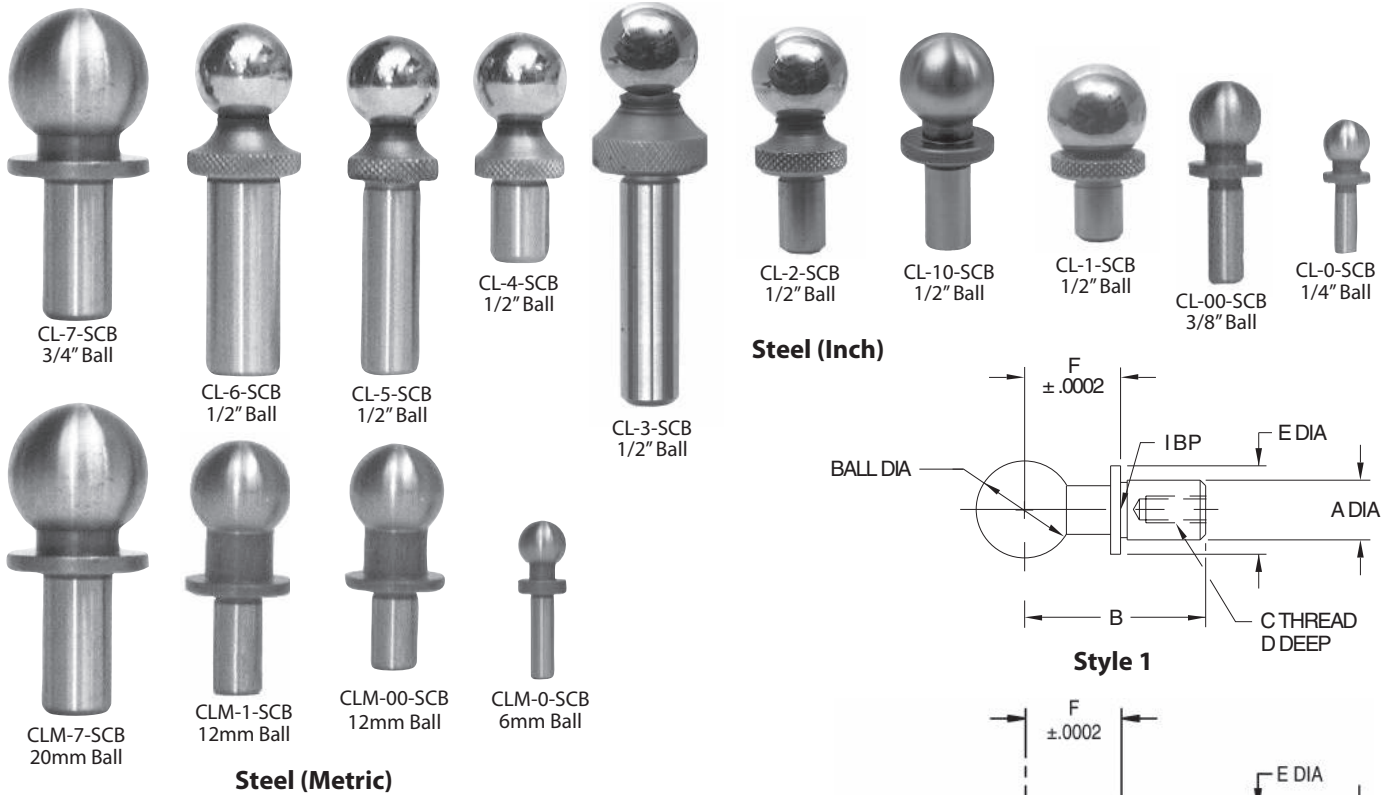
PART NO.	A DIA		C DIA		D
	NOMINAL	ACTUAL	NOMINAL	ACTUAL	
CL-1000-BPNV	1/4	.2501	1/2	.5002	3/8
CL-2000-BPNV	5/16	.3126	1/2	.5002	3/8
CL-3000-BPNV	3/8	.3751	5/8	.6253	1/2
CL-4000-BPNV	1/2	.5001	3/4	.7504	5/8

HEADLESS TYPE (METRIC)

CLM-60-BPNV	6mm	.2363	10mm	.3939	.276
CLM-80-BPNV	8mm	.3151	12mm	.4726	.276
CLM-100-BPNV	10mm	.3938	15mm	.5909	.354
CLM-120-BPNV	12mm	.4725	18mm	.7091	.472

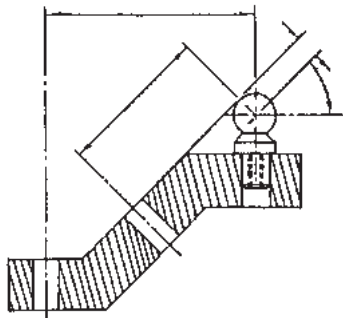
CONSTRUCTION BALLS (SHOULDER TYPE)

STEEL: 1144 STEEL, HEAT TREATED RC 54-56



New 20mm ball diameter!

Precision tooling ball used as a reference point for critical inspection, layout, and machining operations. Shoulder type has a precision height-reference shoulder to locate the ball in three dimensions. Concentricity between ball and shank is .0002" TIR. Available with ball diameters from 1/4 to 3/4" (6 to 20mm in metric), in various shank diameters and lengths. Note: Catalog photos are actual size.



Shoulder-Type Construction Balls provide a reference point in three dimensions.

STEEL (INCH)

PART NO.	BALL DIA		A DIA		B	C	D	E DIA	F	STYLE
	NOMINAL	ACTUAL	NOMINAL	ACTUAL						
CL-0-SCB	1/4	.2502/.2498	1/8	.1250/.1246	.56	—	—	.25	.2000	1
CL-00-SCB	3/8	.3752/.3748	3/16	.1875/.1871	.75	—	—	.37	.3000	
CL-1-SCB	1/2	.5000/.4997	1/4	.2500/.2497	.63	#6-32	1/4	.46	.3125	2
CL-10-SCB				.2500/.2496	.94	—	—		.4000	1
CL-2-SCB				.2500/.2497	.94	#6-32	5/16		.5000	
CL-3-SCB			1.50	—	—	.5000				
CL-4-SCB			.94	#6-32	5/16					
CL-5-SCB			1.50	—	—					
CL-6-SCB			3/8	.3750/.3747	5/16	1.50	—	—	.56	.5000
CL-7-SCB	3/4	.7502/.7498	3/8	.3750/.3746	1.25	—	—	.75	.5000	

STEEL (METRIC)

PART NO.	BALL DIA		A DIA		B	C	D	E DIA	F	STYLE
	NOMINAL	ACTUAL	NOMINAL	ACTUAL						
CLM-0-SCB	6mm	.2364/.2360	3mm	.1181/.1177	.47	—	—	.24	.2362 (6mm)	1
CLM-00-SCB	12mm	.4726/.4722	6mm	.2362/.2358	.87	—	—	.47	.4724 (12mm)	
CLM-1-SCB					.98	M3.5	.24			
CLM-7-SCB	20mm	.7876/.7872	10mm	.3937/.3983	1.50	M6	.38	.79	.7874 (20mm)	

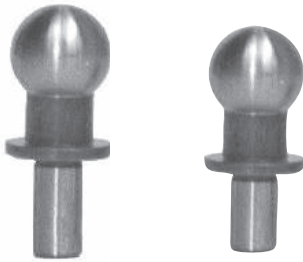
CONSTRUCTION BALLS (SHOULDER TYPE)

STAINLESS STEEL: 440C STAINLESS STEEL, HEAT TREATED RC 57-59



CL-2-SCB 1/2" Ball
CL-1-SCB 1/2" Ball
CL-0-SCB 1/4" Ball

Stainless Steel (Inch)

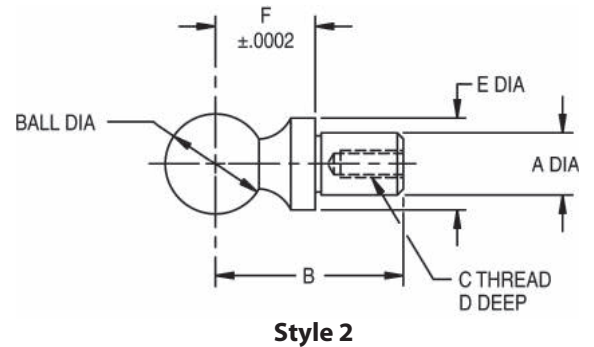
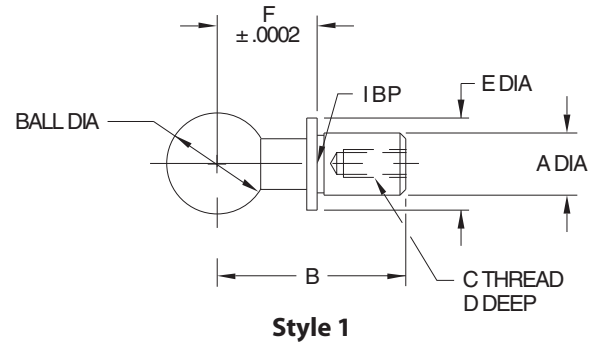


CLM-1-SCB 12mm Ball
CLM-00-SCB 12mm Ball

Stainless Steel (Metric)

Also available in stainless steel!

Precision tooling ball used as a reference point for critical inspection, layout, and machining operations. Shoulder type has a precision height-reference shoulder to locate the ball in three dimensions. Concentricity between ball and shank is .0002" TIR. Stainless steel version is available with ball diameters from 1/4 to 1/2" (12mm in metric). Note: Catalog photos are actual size.



STAINLESS STEEL (INCH)

PART NO.	BALL DIA		A DIA		B	C	D	E DIA	F	STYLE
	NOMINAL	ACTUAL	NOMINAL	ACTUAL						
CL-0-SCB-S	1/4	.2502/.2498	1/8	.1250/.1246	.56	—	—	.25	.2000	1
CL-1-SCB-S	1/2	.5000/.4997	1/4	.2500/.2497	.63	#6-32	1/4	.46	.3125	2
CL-2-SCB-S		.5000/.4997			.94	#6-32	5/16			

STAINLESS STEEL (METRIC)

PART NO.	BALL DIA		A DIA		B	C	D	E DIA	F	STYLE
	NOMINAL	ACTUAL	NOMINAL	ACTUAL						
CLM-00-SCB-S	12mm	.4726/.4722	6mm	.2362/.2358	.87	—	—	.47	.4724 (12mm)	1
CLM-1-SCB-S					.98	M3.5	.24			

CONSTRUCTION BALLS (ADJUSTABLE TYPE)

1144 STEEL, HEAT TREATED RC 54-56



CL-5-CB
1/2" Ball



CL-3-CB
1/2" Ball



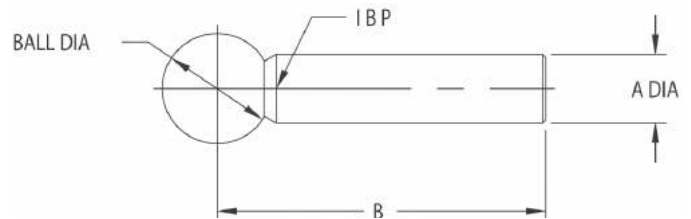
CL-1-CB
1/2" Ball



CL-00-CB
3/8" Ball



CL-0-CB
1/4" Ball



Precision tooling ball used as a reference point for critical inspection, layout, and machining operations. Adjustable type has no shoulder, so it can be set at any desired height then locked with a set screw. Concentricity between ball and shank is .0002" TIR. Available with ball diameters from 1/4 to 1/2", in various shank diameters and lengths. Note: Catalog photos are actual size.

6

STEEL (INCH)

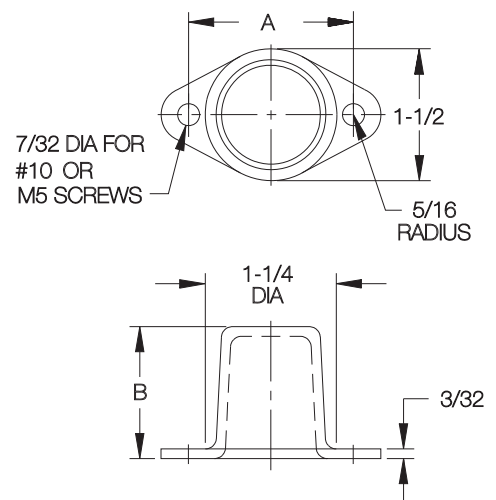
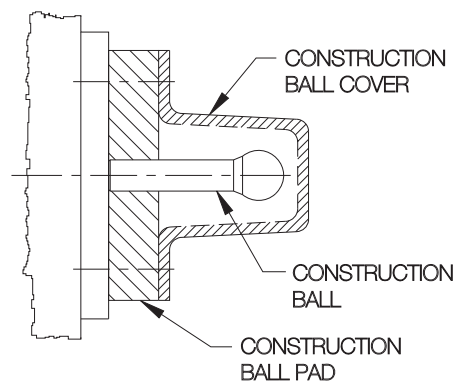
PART NO.	BALL DIA		A DIA		B
	NOMINAL	ACTUAL	NOMINAL	ACTUAL	
CL-0-CB	1/4	.2502/.2498	1/8	.1250/.1246	.56
CL-00-CB	3/8	.3752/.3748	3/16	.1875/.1871	
CL-1-CB	1/2	.5000/.4997	1/4	.2500/.2497	1.50
CL-3-CB			5/16	.3125/.3122	
CL-5-CB			3/8	.3750/.3747	

CONSTRUCTION-BALL COVERS

ZINC DIE CASTING



Sturdy cover that protects a Construction Ball from damage after installation.



PART NO.	A	B
CL-2-COVER	1-7/8	1-1/2

CONSTRUCTION-BALL PADS

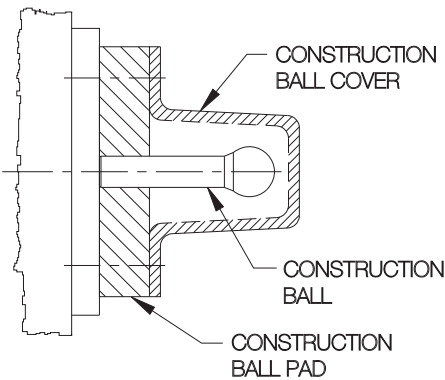
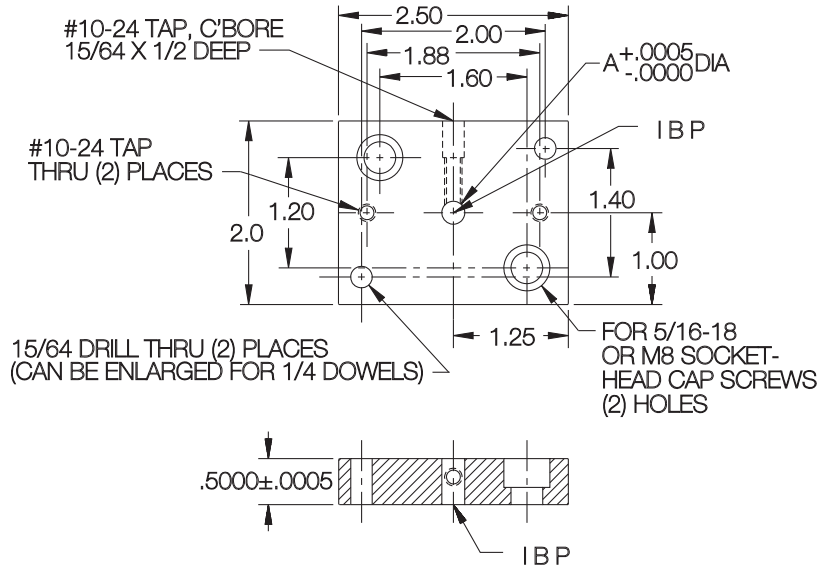
RECTANGULAR (STEEL): 1018 STEEL, BLACK OXIDE FINISH. RECTANGULAR (STAINLESS STEEL): 17-4PH STAINLESS STEEL PASSIVATED.



Rectangular

Now also available in stainless steel!

Rectangular Construction-Ball Pads should be fastened with two socket-head cap screws, then can be doweled in place to maintain accurate location. The Construction Ball can be secured by installing a #10-24 set screw (not furnished) in the crosshole.



RECTANGULAR – STEEL (INCH)

PART NO.	A DIA	
	NOMINAL	ACTUAL
CL-1-CBP	1/4	.2500
CL-2-CBP	5/16	.3125
CL-3-CBP	3/8	.3750

RECTANGULAR – STAINLESS STEEL (INCH)

PART NO.	A DIA	
	NOMINAL	ACTUAL
CL-1-CBP-S	1/4	.2500
CL-2-CBP-S	5/16	.3125
CL-3-CBP-S	3/8	.3750

CONSTRUCTION-BALL PADS

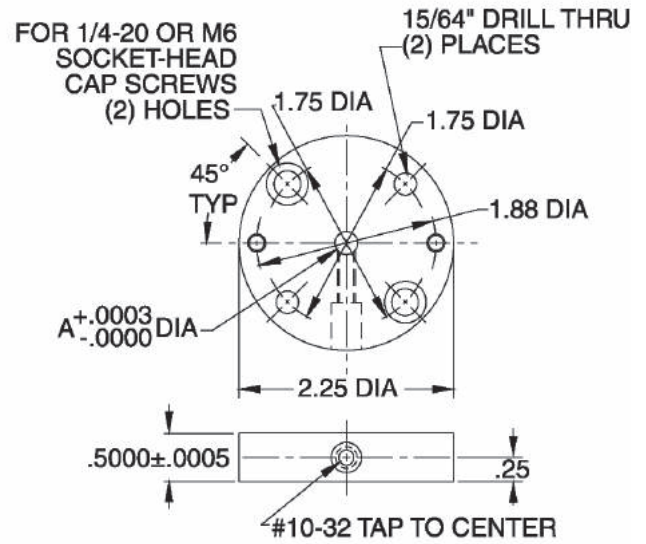
ROUND (STEEL): 1144 STEEL, BLACK OXIDE FINISH. ROUND (STAINLESS STEEL): 17-4PH STAINLESS STEEL, PASSIVATED.
 SHANK TYPE: 8620 STEEL. CARBURIZED-HARDENED, BLACK OXIDE FINISH



Round

Now also available in stainless steel!

Round Construction-Ball Pads should be fastened with two socket-head cap screws, then can be doweled in place to maintain accurate location. The Construction Ball can be secured by installing a #10-32 set screw (not furnished) in the crosshole.

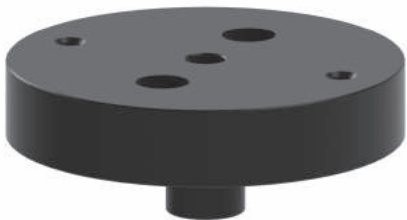


ROUND - STEEL (INCH)

PART NO.	A DIA	
	NOMINAL	ACTUAL
CL-1-CBPR	1/4	.2500

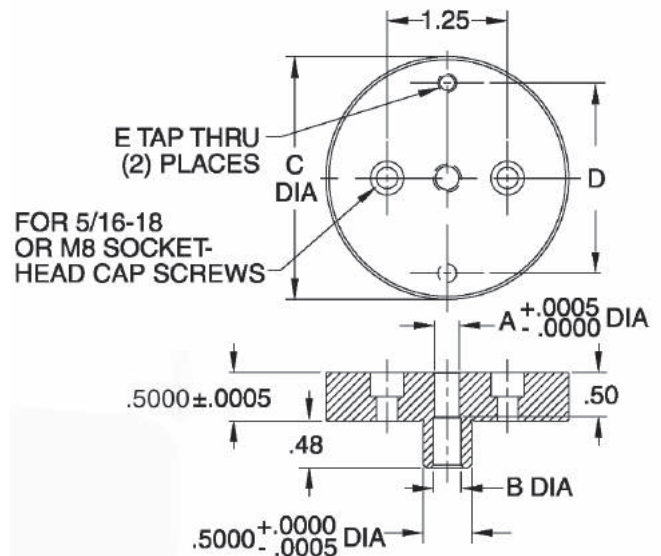
ROUND - STAINLESS STEEL (INCH)

CL-1-CBPR-S	1/4	.2500
-------------	-----	-------



Shank Type

Shank-type Construction-Ball Pads should be installed in a reamed hole for accurate location, then fastened with two socket-head cap screws.

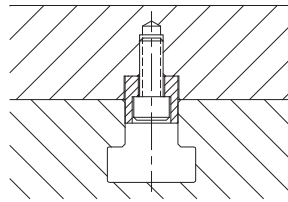


SHANK TYPE - STEEL (INCH)

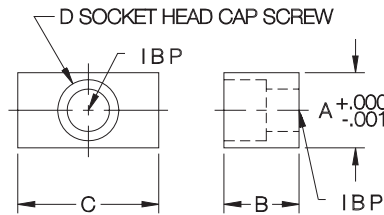
PART NO.	A DIA		B DIA	C DIA	D	E
	NOMINAL	ACTUAL				
CL-1-CBPK	1/4	.2500	.257	2.50	1.88	#10-24

FIXTURE KEYS

1018 STEEL, CARBURIZED-HARDENED, BLACK OXIDE FINISH



Standard key for fixtures slotted to mount on one specific machine table. Depth of slot in fixture should be 1/2 of B dimension.



INCH

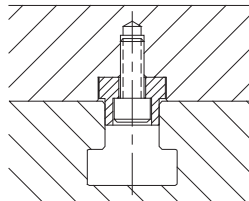
PART NO.	TABLE SLOT SIZE	A	B	C	D
CL-1-FK	1/2	.5000	1/2	3/4	1/4-20
CL-3-FK	5/8	.6250		3/4	5/16-18
CL-4-FK	11/16	.6875		1	
CL-5-FK	3/4	.7500		1-1/4	
CL-6-FK	13/16	.8125			

METRIC

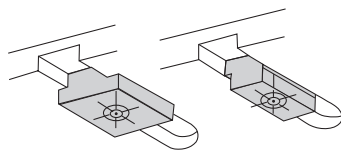
PART NO.	TABLE SLOT SIZE	A	B	C	D
CLM-12-FK	12mm	.4724	.315	.787	M5
CLM-14-FK	14mm	.5512	.394	.866	M6
CLM-16-FK	16mm	.6299			
CLM-18-FK	18mm	.7087			
CLM-20-FK	20mm	.7874			

STEP FIXTURE KEYS

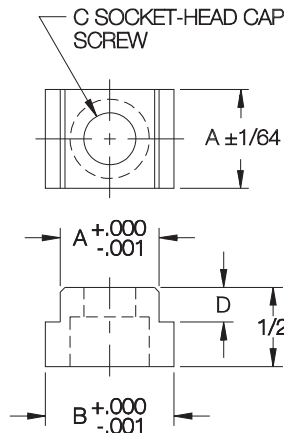
MILD STEEL, CARBURIZED-HARDENED, BLACK OXIDE FINISH



Adapts a key-slotted fixture or vise to machine tables with a different slot size. Available for inch or metric slots. Top and bottom of key are centered within .0005 of each other.



Step Fixture Keys are available for machine-table slots either larger or smaller than a given fixture slot. (Viewed from underside of fixture.)



INCH FIXTURE SLOTS

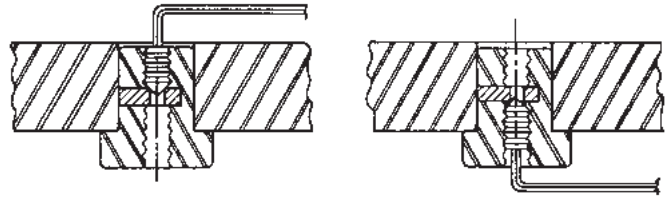
PART NO.	FIXTURE SLOT SIZE	A	TABLE SLOT SIZE	B	C SOCKET-HEAD CAP SCREW (ORDER SEPARATELY)	D
CL-10-SFK-18	5/8	.6250	18mm	.7087	CL-5/16-18X.75-SHCS	7/32
CL-11-SFK-625	11/16	.6875	5/8	.6250		CL-5/16-18X.75-SHCS
CL-11-SFK-16			16mm	.6299	9/32	
CL-11-SFK-18			18mm	.7087	7/32	
CL-11-SFK-20			20mm	.7874		
CL-12-SFK-625	3/4	.7500	5/8	.6250	CL-5/16-18X.75-SHCS	9/32
CL-12-SFK-18			18mm	.7087		9/32
CL-13-SFK-18	13/16	.8125	18mm	.7087	CL-5/16-18X.75-SHCS	9/32

METRIC FIXTURE SLOTS

PART NO.	FIXTURE SLOT SIZE	A	TABLE SLOT SIZE	B	C SOCKET-HEAD CAP SCREW (ORDER SEPARATELY)	D
CL-20-SFK-18	20mm	.7874	18mm	.7087	CLM-6X15-SHCS	9/32

SURE-LOCK™ FIXTURE KEYS

12L14 STEEL, CARBURIZED-HARDENED, BLACK OXIDE FINISH



Lock in place from above or below using a hex wrench.

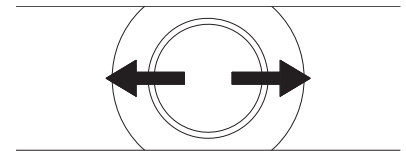
Perfect fixture key for most applications. Keys are interchangeable because they all fit in a 5/8 reamed hole. Allows mounting any fixture on any machine simply by switching keys. Eliminates the need to slot fixtures. Concentricity .0005 TIR or better. Available for inch or metric machine-table slots.

INCH

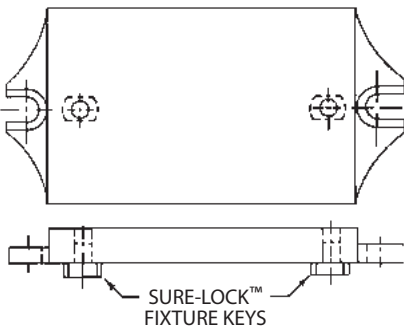
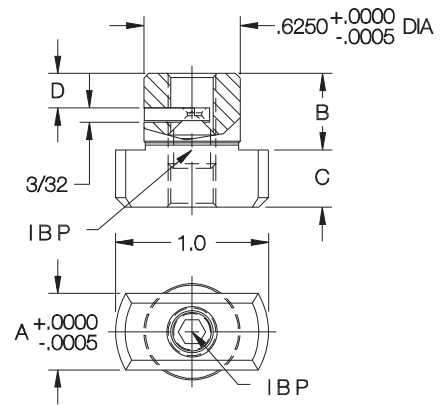
PART NO.	TABLE SLOT SIZE	A	B	C	D
CL-375-SLFK	3/8	.3750	1/2	3/8	.23
CL-437-SLFK	7/16	.4375			
CL-500-SLFK	1/2	.5000	3/4	7/16	.41
CL-5000-SLFK			1/2	3/8	.23
CL-562-SLFK	9/16	.5625	3/4	7/16	.41
CL-5625-SLFK			1/2	3/8	.23
CL-625-SLFK	5/8	.6250	3/4	7/16	.41
CL-6250-SLFK			1/2	3/8	.23
CL-687-SLFK	11/16	.6875	3/4	7/16	.41
CL-6875-SLFK			1/2	3/8	.23
CL-7500-SLFK	3/4	.7500	3/4	7/16	.41
CL-8125-SLFK	13/16	.8125			

METRIC

PART NO.	TABLE SLOT SIZE	A	B	C	D
CL-12-SLFK	12mm	.4724	1/2	3/8	.23
CL-14-SLFK	14mm	.5512			
CL-16-SLFK	16mm	.6299	3/4	7/16	.41
CL-18-SLFK	18mm	.7087			
CL-20-SLFK	20mm	.7874			
CL-22-SLFK	22mm	.8661			



Patented locking action aligns fixture key perfectly with slot axis.



6

REAMED-HOLE FIXTURE KEYS

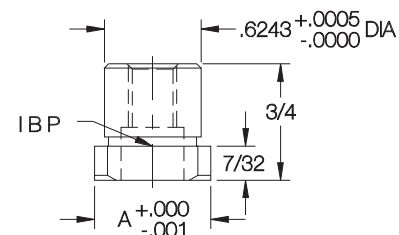
12L14 STEEL, CARBURIZED-HARDENED, BLACK OXIDE FINISH



Each key fits two different table slots by turning 90°. Install in a 5/8 reamed hole. Fasten from above with a 5/16–18 Socket-Head Cap Screw, or from below with a 1/4–20 Socket-Head Cap Screw. Concentricity .0005 or better.

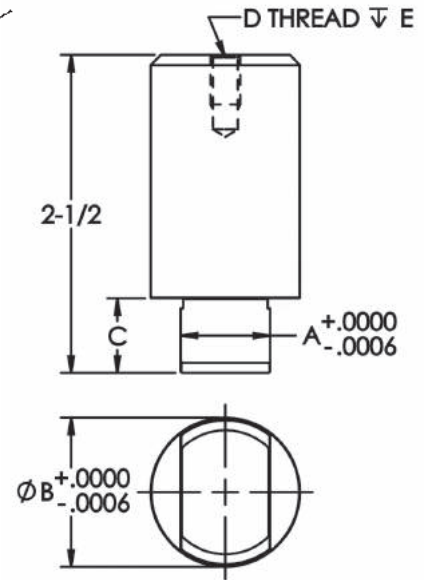
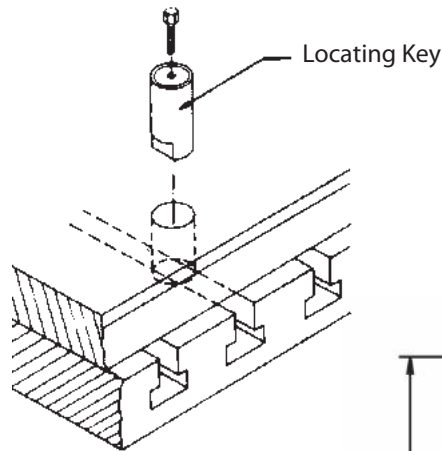
INCH

PART NO.	TABLE SLOT SIZES	A	B
CL-1-RFK	5/8 and 11/16	.6250	.6875
CL-2-RFK	5/8 and 3/4		.7500
CL-3-RFK	5/8 and 13/16	.6875	.8125
CL-4-RFK	11/16 and 3/4		.7500
CL-6-RFK	3/4 and 13/16	.7500	.8125



LOCATING KEYS

1144 OR 1045 STEEL, HEAT TREATED, BLACK OXIDE FINISH



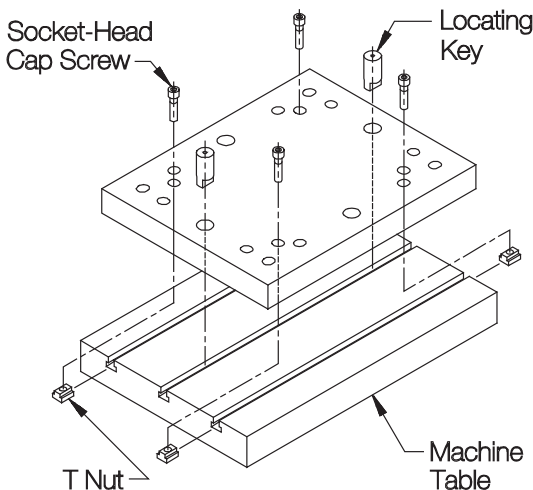
These heavy-duty removable-type keys are our standard fixture keys for large fixture plates. Locating keys are available in two body diameters — metric (30mm) and inch (1-1/16"). These keys can be used for mounting all of our Rectangular Tooling Plates, blank and modular. Locating Keys can be inserted from above after placing the fixture plate on the machine table, to keep the top free of obstructions. If desired, Locating Keys can be removed before machining, after the fixture is fastened to the machine table. The tapped hole in the key's top surface makes insertion and removal easier. Locating flats are accurate to within .0005" true position of the body diameter.

METRIC DIAMETER (30mm)

PART NO.	TABLE SLOT SIZE	A (mm)	B DIA (mm)	C (mm)	D THREAD	THREAD PITCH (mm)	E (mm)
CLM-14-LK	14mm	14	30	15	M6	1	10
CLM-6250-LK m	5/8"	15.88					
CLM-18-LK	18mm	18					
CLM-8125-LK	13/16"	20.64					
CLM-22-LK	22mm	22					
CLM-8750-LK	7/8"	22.23					

INCH DIAMETER (1-3/16")

PART NO.	TABLE SLOT SIZE	A	B DIA	C	D THREAD	E
CL-MF10-4401	14mm	.5512	1.1875	5/8	1/4-20	3/8
CL-MF10-4406	9/16	.5625				
CL-MF10-4407	5/8	.6250				
CL-MF10-4402	16mm	.6299				
CL-MF10-4408	11/16	.6875				
CL-MF10-4403	18mm	.7087				
CL-MF10-4409	3/4	.7500				
CL-MF10-4404	20mm	.7874				
CL-MF10-4411	13/16	.8125				
CL-MF10-4405	22mm	.8661				
CL-MF10-4410	7/8	.8750				



PALLET FIXTURE KEYS

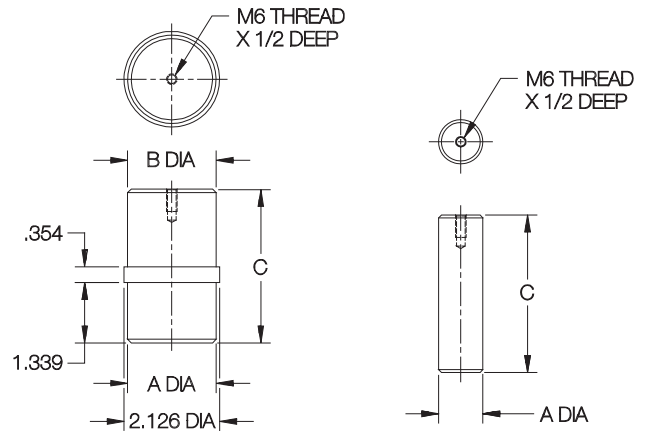
12L14 STEEL, CARBURIZED-HARDENED, BLACK OXIDE FINISH



Center Pin



Radial Pin

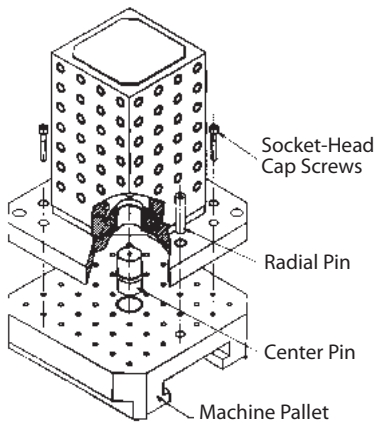


Center Pin

Radial Pin

Fixture keys for mounting tooling plates and blocks on standard DIN pallets. Each pallet requires one Center Pin and one Radial Pin (for orientation). The Radial Pin is usually removed after fastening the pallet to the machine table.

6



CENTER PINS

PART NO.	A DIA		B DIA		C
	NOMINAL	ACTUAL	NOMINAL	ACTUAL	
CLM-25-PFKC	50mm	1.9681/1.9676	25mm	.9839/.9835	2.87
CLM-30-PFKC			30mm	1.1808/1.1804	3.42
CLM-50-PFKC			50mm	1.9681/1.9676	

RADIAL PINS

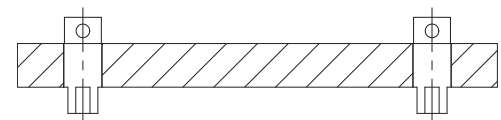
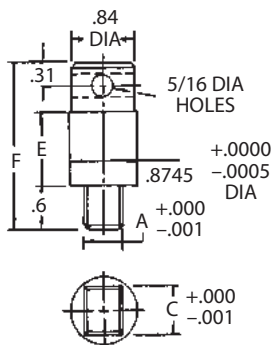
PART NO.	A DIA		C
	NOMINAL	ACTUAL	
CLM-20-PFKR	20mm	.7871/.7867	3.50
CLM-25-PFKR	25mm	.9839/.9835	4.92

MILL FIXTURE KEYS

12L14 STEEL, CARBURIZED-HARDENED, BLACK OXIDE FINISH



Can be removed from above after mounting fixture on machine. Fits either 11/16 or 13/16 table slots by turning 90°. Install in a 7/8 reamed hole. Concentricity .0005 or better.



INCH

PART NO.	TABLE SLOT SIZES	A DIA			
		A	C	E	F
CL-1-MFK-1	11/16 or 13/16	.6873	.8123	1.00	2.20
CL-1-MFK-2				3.20	4.40

CLAMPS AND ACCESSORIES



Clamp Straps



Edge Clamps



Swing Clamps



Internal Clamps



Nuts



Washers



Studs, Bolts, & T Nuts



Cams



Clamp Rests & Accessories



Clamping Kits



Portable Clamps



Hammers & Hand Tools

Also see:



Toggle Clamps
pp. 451-526



Hydraulic Power Workholding
pp. 603-736



CARVESMART™ Dovetailed Quick-Change Vise Jaw System
SEE WEBSITE



Precision Vises
p. 656-657

CLAMP STRAPS

TYPES



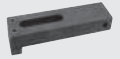
SLOTTED-HEEL CLAMP STRAPS

Popular Clamp Strap with a slot underneath to allow sliding it straight back for clear unloading. Two drill spots on the sides provide a secure grip for retracting the clamp. Available in steel or stainless steel with several strap lengths available for each size.



SLOTTED-HEEL GOOSENECK CLAMP STRAPS

Gooseneck version of our Slotted-Heel Clamp Straps. This design recesses the clamping nut to provide a low overall profile. An indentation at the rear of each side provides a secure finger grip for retracting the clamp. Also available as a complete assembly.



SLOTTED-HEEL PADDED CLAMP STRAPS

Slotted-Heel Clamp Strap that features a replaceable clamping pad attached with two screws (furnished). Clamp Strap also easily accepts custom pads or other attachments. Read end is tapped on either side for a Finger Pin.



TAPPED-HEEL CLAMP STRAPS

Popular Clamp Strap with a tapped heel that accepts a clamping screw or rear support. Often used with a Guide Block to allow sliding the strap straight back for clear loading. Two drill spots on the sides provide a secure grip for retracting the clamp. Can also be used with a Stud Leveling Foot as a rear support.



TAPPED-HEEL PADDED CLAMP STRAPS

Tapped-Heel Clamp Strap that features a replaceable clamping pad attached with two screws (furnished). Clamp Strap also easily accepts custom pads or other attachments. Replacement pads and assemblies also available.



FORGED CLAMP STRAPS (TAPPED HEEL)

High-strength Tapped-Heel Clamp Strap available in straight or gooseneck design, with a locator nose or plain nose. Locator-nose version is ideal for workpieces with machined ends. The accurately machined notch ensures precise, repeatable clamp location for increased machining clearance.



TAPERED-NOSE CLAMP STRAPS (TAPPED HEEL)

Mini-size Tapped-Heel Clamp Strap with a tapered nose for clamping in tight spaces. Available in stainless steel. Also available as a complete assembly, where a Fixture Stud has a thread-locking interference thread at the bottom end to install permanently in a fixture plate.



WIDE-NOSE CLAMP STRAPS (TAPPED HEEL)

Mini-size Tapped-Heel Clamp Strap with an extra-wide nose. Available in stainless steel. Also available as a complete assembly, where a Fixture Stud has a thread-locking interference thread at the bottom end to install permanently in a fixture plate.



FORGED ADJUSTABLE CLAMPS

Rugged forged steel pivot clamp. Instant height adjustment without blocks or shims. One-piece assembly allows quick setups and eliminates lost clamp pieces. Clamp can swing 90° in either direction for loading clearance.

CONTINUED ON NEXT PAGE

CLAMP STRAPS

TYPES



DOUBLE-END CLAMP STRAPS

Clamp Strap with two clamping ends, for holding two workpieces simultaneously. A complete Clamp-Strap Assembly is available as well. Order pieces individually. See product page for details. Also available in metric.



DOUBLE-END GOOSENECK CLAMP STRAPS

Gooseneck version of our Double-End Clamp Straps. This design recesses the clamping nut to provide a low overall profile. Double-End Clamps have two clamping ends, for holding two workpieces simultaneously. Turn strap 90° for clear loading.



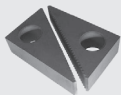
PLAIN CLAMPS

Plain Clamps are double-end, tapered-nose clamp straps that can be used for holding two workpieces simultaneously, or used with Step Blocks as a rear support for holding a single workpiece.



FORGED U CLAMPS

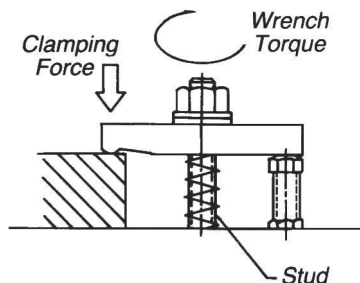
Open U end allows totally removing clamp strap when unclamped. Clamp tips are stepped to provide repeatable location. Cylindrical pin end minimizes contact area and is useful for clamping in horizontal holes.



STEP BLOCKS & CLAMPS

Serrated Blocks can be used individually or in pairs, as a clamp rest. Use a single block with Step Clamps, or a pair of blocks with Plain Clamps. All blocks and clamps are made from top-grade steel.

CLAMPING FORCE OF STANDARD CLAMP STRAPS



INCH

Stud Size	Recommended Torque* (ft-lbs)	Clamping Force (lbs)	Tensile Force in Stud (lbs)
#10-32	2	300	600
1/4-20	4	500	1000
5/16-18	9	900	1800
3/8-16	16	1300	2600
1/2-13	38	2300	4600
5/8-11	77	3700	7400
3/4-10	138	5500	11000
7/8-9	222	7600	15200
1"-8	333	10000	20000

METRIC

Stud Size	Recommended Torque* (ft-lbs)	Clamping Force (lbs)	Tensile Force in Stud (lbs)
M6	4	500	1000
M8	9	900	1800
M10	20	1500	3000
M12	35	2200	4400
M16	84	4000	8000
M20	165	6300	12600
M24	283	9000	18000

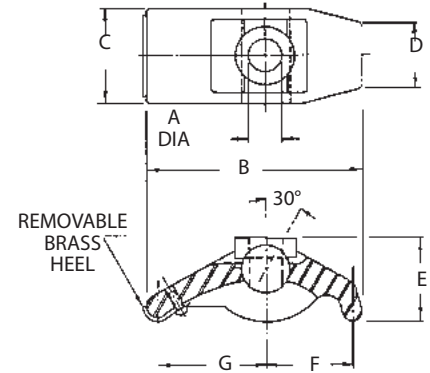
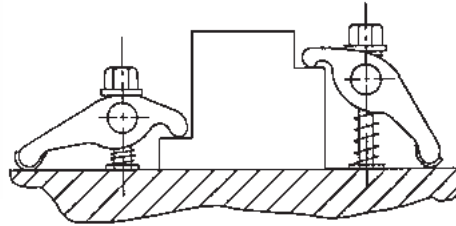
*Clean, dry clamping stud torqued to approximately 33% of its 100,000 psi yield strength (2:1 lever ratio).

FORGED ADJUSTABLE CLAMPS

FORGED 1045 STEEL, BLACK OXIDE FINISH



Rugged forged steel pivot clamp. Instant height adjustment without blocks or shims. One-piece assembly allows quick setups and eliminates lost clamp pieces. Removable brass heel protects machine table. Clamp can swing 90° in either direction for loading clearance.



CLAMP STRAPS

PART NO.	STUD SIZE	CLAMPING RANGE	A DIA	B	C	D	E	F	G
CL-6-FAC	5/16, 3/8, M8, or M10	0 to 1-3/4	7/16	3-1/4	1-1/4	7/8	1	1-1/8	1-7/8
CL-8-FAC	1/2 or M12	0 to 2-1/16	9/16	4	1-5/8	1-1/8	1-7/16	1-7/16	2-5/16
CL-10-FAC	5/8 or M16	0 to 3	11/16	5-1/2	1-7/8	1-3/8	1-7/8	2	3-1/4
CL-12-FAC	3/4 or M20	0 to 4-1/4	13/16	6-1/4	2-5/8	2	2-1/4	2-1/8	3-1/2
CL-16-FAC	7/8, 1, or M24	0 to 5-1/2	1-1/16	7	3-1/8	2-3/8	2-7/16	2-1/4	4

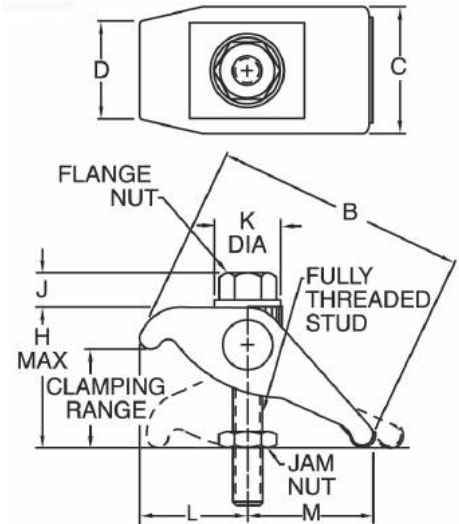
7



Assembly with Flange Nut
CL-x-FACA-FN



Assembly with Hand Knob
CL-x-FACA-HK



ASSEMBLIES (INCH)

PART NO.	STUD SIZE	CLAMPING RANGE	H	J	K DIA	L		M		FORGED ADJUSTABLE CLAMP	FULLY THREADED STUD	JAM NUT	FLANGE NUT
						MIN	MAX	MIN	MAX				
CL-5-FACA-FN	5/16-18	0 to 1-3/4	2-1/8	3/8	3/4	1-1/16	1-1/4	1-3/4	2	CL-6-FAC	CL-5/16-18x3.00-FTS	CL-5-JN	CL-9-FN
CL-6-FACA-FN	3/8-16			1/2	7/8						CL-3/8-16x3.00-FTS	CL-6-JN	CL-2-FN
CL-8-FACA-FN	1/2-13	0 to 2-1/16	2-5/8	11/16	1-1/8	1-3/8	1-9/16	2-1/8	2-7/16	CL-8-FAC	CL-1/2-13x4.00-FTS	CL-8-JN	CL-3-FN
CL-10-FACA-FN	5/8-11	0 to 3	3-3/4	13/16	1-3/8	1-13/16	2-1/8	2-15/16	3-3/8	CL-10-FAC	CL-5/8-11x5.00-FTS	CL-10-JN	CL-4-FN
CL-12-FACA-FN	3/4-10	0 to 4-1/4	5-3/8	1	1-5/8	2-1/8	2-7/16	3-5/16	3-13/16	CL-12-FAC	CL-3/4-10x7.00-FTS	CL-12-JN	CL-5-FN
CL-14-FACA-FN	7/8-9	0 to 5-1/2	7	1-1/8	1-3/4	2-1/4	2-5/8	3-13/16	4-3/8	CL-16-FAC	CL-7/8-9x8.00-FTS	CL-14-JN	CL-6-FN
CL-16-FACA-FN	1"-8			1-1/4	2						CL-1-8x8.00-FTS	CL-16-JN	CL-7-FN

ASSEMBLIES (METRIC)

CLM-5-FACA-FN	M8	0 to 1-3/4	2-1/8	.39	.75	1-1/16	1-1/4	1-3/4	2	CL-6-FAC	CLM-8x80-FTS	CLM-8-JN	CLM-8-FN
CLM-6-FACA-FN	M10			.51	.87						CLM-10x80-FTS	CLM-10-JN	CLM-10-FN
CLM-8-FACA-FN	M12	0 to 2-1/16	2-5/8	.67	1.10	1-3/8	1-9/16	2-1/8	2-7/16	CL-8-FAC	CLM-12x110-FTS	CLM-12-JN	CLM-12-FN
CLM-10-FACA-FN	M16	0 to 3	3-3/4	.83	1.34	1-13/16	2-1/8	2-15/16	3-3/8	CL-10-FAC	CLM-16x125-FTS	CLM-16-JN	CLM-16-FN
CLM-12-FACA-FN	M20	0 to 4-1/4	5-3/8	.98	1.61	2-1/8	2-7/16	3-5/16	3-13/16	CL-12-FAC	CLM-20x175-FTS	CLM-20-JN	CLM-20-FN
CLM-16-FACA-FN	M24	0 to 5-1/2	7	1.26	2.01	2-1/4	2-5/8	3-13/16	4-3/8	CL-16-FAC	CLM-24x200-FTS	CLM-24-JN	CLM-24-FN

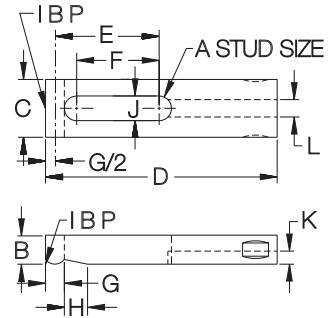
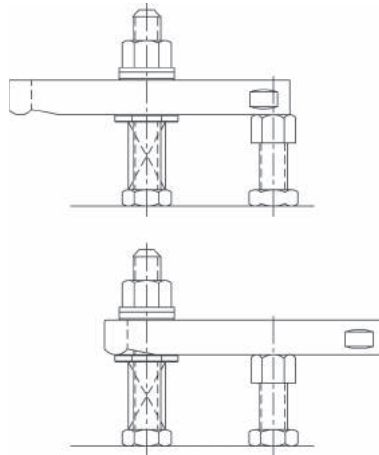
SLOTTED-HEEL CLAMP STRAPS

STEEL: 1018, CARBURIZED-HARDENED, BLACK OXIDE FINISH
 STAINLESS STEEL: 300 SERIES



**Steel and
 Stainless Steel**

Popular Clamp Strap with a slot underneath to allow sliding it straight back for clear loading. Two drill spots on the sides provide a secure grip for retracting the clamp. Available in steel for 1/4-20 (M6) to 3/4-10 (M20) stud sizes, or stainless steel for #10-32 to 3/8-16 stud sizes. Each size is available in several strap lengths.



STRAPS — STEEL

PART NO.	A	B	C	D	E	F	G	H	J	K	L
CL-0-CS	1/4-20 or M6	3/8	5/8	2	27/32	19/32	1/4	11/32	9/32	5/32	3/16
CL-1-CS				2-1/2	1-3/32	13/16					
CL-1A-CS				2-1/2	27/32	1/2					
CL-1B-CS	5/16-18 or M8	1/2	3/4	3	1-11/32	1	5/16	7/16	11/32	7/32	1/4
CL-2-CS				3	1-9/32	7/8					
CL-3A-CS				3-1/2	1-17/32	1-1/8					
CL-3-CS	3/8-16 or M10	1/2	1-1/8	4	1-25/32	1-3/8	13/32	1/2	27/64	9/32	3/8
CL-4-CS				5	2-9/32	1-7/8					
CL-5-CS				6	2-25/32	2-3/8					
CL-6A-CS	1/2-13 or M12	5/8	1-1/4	3-1/2	1-1/2	1-1/32	13/32	1/2	17/32	9/32	3/8
CL-6-CS				4	1-3/4	1-9/32					
CL-8-CS				5	2-1/4	1-25/32					
CL-10-CS	5/8-11 or M16	7/8	1-1/2	6	2-3/4	2-9/32	1/2	19/32	21/32	9/32	1/2
CL-15A-CS				4	1-11/16	1-3/32					
CL-16-CS				5	2-3/16	1-19/32					
CL-18-CS	3/4-10 or M20	1	1-3/4	6	2-11/16	2-3/32	1/2	19/32	13/16	5/16	1/2
CL-18A-CS				6-1/2	2-15/16	2-11/32					
CL-19-CS				6	2-5/8	2					
CL-21-CS	3/4-10 or M20	1	1-3/4	7	3-1/8	2-9/16	1/2	19/32	13/16	5/16	1/2
CL-22A-CS				8	3-5/8	3-1/8					

STRAPS — STAINLESS, MINIATURE

CL-17215	#10-32	1/4	1/2	21/32	15/32	3/16	5/16	7/32	3/32	7/32	
CL-17325	1/4-20	3/8	5/8	2-1/2	1-1/8	15/16	1/4	3/8	9/32	1/8	9/32
CL-17425	5/16-18	3/8	3/4	2-1/2	1-3/32	27/32	5/16	7/16	11/32	5/32	11/32
CL-17540	3/8-16	1/2	1	4	1-13/16	1-1/2	3/8	1/2	13/32	3/16	13/32



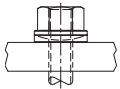
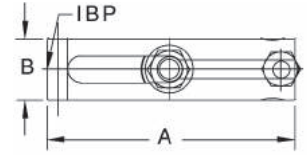
SLOTTED-HEEL CLAMP STRAPS

INFO+: SEE PAGES 100, 109, 263, 311-316, 318-319, 326, 327-330 FOR MATERIAL SPECIFICATIONS

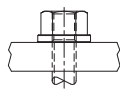


Steel

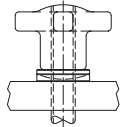
A complete clamp-strap assembly using a slotted-heel strap from (INFO+ page 263). Select any of the six nut/knob combinations shown below by adding the appropriate suffix to the part number. Other Stud and Clamp Rest lengths are available (order pieces individually).



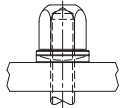
Spherical Nut & Washer
CL-xx-SHA-1



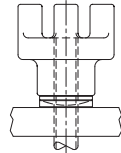
Flange Nut
CL-xx-SHA-2



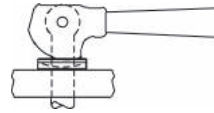
Hand Knob with Spherical Washer
CL-xx-SHA-4



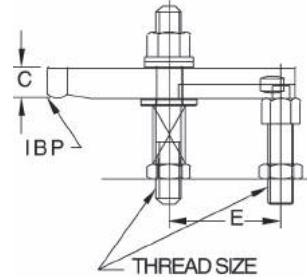
Acorn Nut with Spherical Washer
CL-xx-SHA-5



Bar Knob with Spherical Washer*
CL-xx-SHA-6



Cam Handle with Spherical Washer
(INFO+ page 265)



ASSEMBLIES — STEEL (INCH)

PART NO.	THREAD SIZE	A	B	C	E	CLAMP STRAP	CLAMP REST	SPRING	FLAT WASHER	STUD
CL-0-SHA-x	1/4-20	2	5/8	3/8	27/32	CL-0-CS	CL-1-CR	CL-5-SPG	CL-7-FW	CL-1-1/4-20x2.50-STUD
CL-1-SHA-x		2-1/2			1-3/32	CL-1-CS				
CL-1A-SHA-x	5/16-18	2-1/2	3/4	1/2	1-1/4	CL-1A-CS	CL-1A-CR	CL-6-SPG	CL-14-FW	CL-5/16-18x3.00-STUD
CL-1B-SHA-x		3			1-11/32	CL-1B-CS				
CL-2-SHA-x	3/8-16	3	1-1/8	1/2	1-9/32	CL-2-CS	CL-2-CR	CL-7-SPG	CL-1-FW	CL-3/8-16x3.00-STUD
CL-3-SHA-x		3-1/2			1-17/32	CL-3A-CS				
CL-4-SHA-x		4			1-25/32	CL-3-CS				
CL-6-SHA-x		5			2-9/32	CL-4-CS				
CL-8-SHA-x		6			2-25/32	CL-5-CS				
CL-9-SHA-x		3-1/2			1-1/2	CL-6A-CS				
CL-10-SHA-x	1/2-13	4	1-1/4	5/8	1-3/4	CL-6-CS	CL-4-CR	CL-9-SPG	CL-2-FW	CL-1/2-13x4.00-STUD
CL-12-SHA-x		5			2-1/4	CL-8-CS				
CL-14-SHA-x		6			2-3/4	CL-10-CS				
CL-20-SHA-x		4			1-11/16	CL-15A-CS				
CL-22-SHA-x	5/8-11	5	1-1/2	7/8	2-3/16	CL-16-CS	CL-6-CR	CL-11-SPG	CL-3-FW	CL-5/8-11x4.50-STUD
CL-24-SHA-x		6			2-11/16	CL-18-CS				
CL-25-SHA-x		6-1/2			2-15/16	CL-18A-CS				
CL-27-SHA-x		6			2-5/8	CL-19-CS				
CL-29-SHA-x		7			3-1/8	CL-21-CS				
CL-31-SHA-x	8	3-5/8	CL-22A-CS							

ASSEMBLIES — STEEL (METRIC)

CLM-0-SHA-x	M6	2	5/8	3/8	27/32	CL-0-CS	CLM-1-CR	CL-5-SPG	CL-7-FW	CLM-6x65-STUD
CLM-1-SHA-x	M8	2-1/2	3/4	1/2	1-3/32	CL-1-CS	CLM-1A-CR	CL-6-SPG	CL-14-FW	CLM-8x80-STUD
CLM-1A-SHA-x		2-1/2			1-1/4	CL-1A-CS				
CLM-1B-SHA-x	M10	3	1-1/8	1/2	1-11/32	CL-1B-CS	CLM-2-CR	CL-7-SPG	CL-1-FW	CLM-1x80-STUD
CLM-2-SHA-x		3			1-9/32	CL-2-CS				
CLM-3-SHA-x		3-1/2			1-17/32	CL-3A-CS				
CLM-4-SHA-x		4			1-25/32	CL-3-CS				
CLM-6-SHA-x		5			2-9/32	CL-4-CS				
CLM-8-SHA-x		6			2-25/32	CL-5-CS				
CLM-9-SHA-x	M12	3-1/2	1-1/4	5/8	1-1/2	CL-6A-CS	CLM-4-CR	CL-9-SPG	CL-2-FW	CLM-12x95-STUD
CLM-10-SHA-x		4			1-3/4	CL-6-CS				
CLM-12-SHA-x		5			2-1/4	CL-8-CS				
CLM-14-SHA-x		6			2-3/4	CL-10-CS				
CLM-20-SHA-x	M16	4	1-1/2	7/8	1-11/16	CL-15A-CS	CLM-5-CR	CL-11-SPG	CL-3-FW	CLM-16x110-STUD
CLM-22-SHA-x		5			2-3/16	CL-16-CS				
CLM-24-SHA-x		6			2-11/16	CL-18-CS				
CLM-25-SHA-x		6-1/2			2-15/16	CL-18A-CS				
CLM-27-SHA-x		6			2-5/8	CL-19-CS				
CLM-29-SHA-x	M20	7	1-3/4	1	3-1/8	CL-21-CS	CLM-8-CR	CL-13-SPG	CLM-10-FW	CLM-20x125-STUD
CLM-31-SHA-x		8			3-5/8	CL-22A-CS				

* Available in thread sizes 3/8-16 and above (M10 and above in metric).

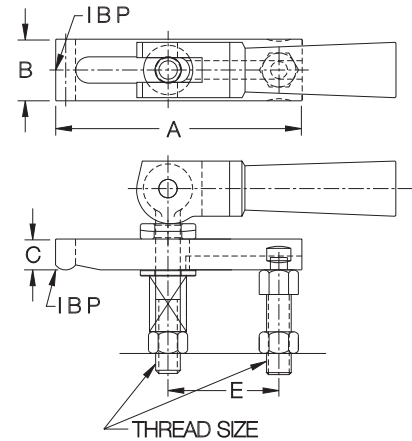
SLOTTED-HEEL CLAMP STRAPS

INFO+: SEE PAGES 100, 109, 263, 311-316, 318-319, 326, 327-330 FOR MATERIAL SPECIFICATIONS



**Straddle Cam
Steel**

A complete clamp-strap assembly using (INFO+) a slotted-heel strap from page 263 along with a Double Cam and Eyebolt. Other Eyebolt and Clamp Rest lengths are available (order pieces individually).



ASSEMBLIES — STRADDLE CAM, STEEL (INCH)

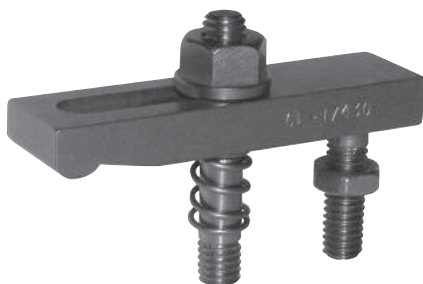
PART NO.	THREAD SIZE	A	B	C	E	CLAMP STRAP	CLAMP REST	SPRING	EYE BOLT	CAM HANDLE AND CLEVIS PIN	FLAT WASHER	SPHERICAL WASHER
CL-0-SCA	1/4-20	2	5/8	3/8	27/32	CL-0-CS	CL-1-CR	CL-5-SPG	CL-25-EB	CL-11-CH	CL-7-FW	CL-1-SW
CL-1-SCA		2-1/2			1-3/32	CL-1-CS				CL-610-CLVP		
CL-1A-SCA	5/16-18	2-1/2	3/4	1/2	1-1/4	CL-1A-CS	CL-1A-CR	CL-6-SPG	CL-31-EB	CL-11A-CH	CL-14-FW	CL-11-SW
CL-1B-SCA		3			1-11/32	CL-1B-CS				CL-810-CLVP		
CL-2-SCA	3/8-16	3	1-1/8	1/2	1-9/32	CL-2-CS	CL-2-CR	CL-7-SPG	CL-38-EB	CL-12-CH	CL-1-FW	CL-2-SW
CL-2A-SCA		3-1/2			1-17/32	CL-3A-CS						
CL-3-SCA		4			1-25/32	CL-3-CS						
CL-4-SCA		5			2-9/32	CL-4-CS						
CL-5-SCA		6			2-25/32	CL-5-CS						
CL-6A-SCA		3-1/2			1-1/2	CL-6A-CS						
CL-6-SCA	1/2-13	4	1-1/4	5/8	1-3/4	CL-6-CS	CL-4-CR	CL-9-SPG	CL-50-EB	CL-13-CH	CL-2-FW	CL-3-SW
CL-8-SCA		5			2-1/4	CL-8-CS						
CL-9A-SCA		6			2-3/4	CL-10-CS						
CL-17-SCA		4			1-11/16	CL-15A-CS						
CL-19-SCA	5/8-11	5	1-1/2	7/8	2-3/16	CL-16-CS	CL-6-CR	CL-11-SPG	CL-62-EB	CL-14-CH	CL-3-FW	CL-4-SW
CL-21-SCA		6			2-11/16	CL-18-CS						
CL-22-SCA		6-1/2			2-15/16	CL-18A-CS						
CL-24-SCA		6			2-5/8	CL-19-CS						
CL-26-SCA	3/4-10	7	1-3/4	1	3-1/8	CL-21-CS	CL-8-CR	CL-13-SPG	CL-75-EB	CL-15-CH	CL-4-FW	CL-5-SW
CL-28-SCA		8			3-5/8	CL-22A-CS						

ASSEMBLIES — STRADDLE CAM, STEEL (METRIC)

CLM-0-SCA	M6	2	5/8	3/8	27/32	CL-0-CS	CLM-1-CR	CL-5-SPG	CLM-25A-EB	CLM-11-CH	CL-7-FW	CL-1-SW
CLM-1-SCA	M10	2-1/2	1-1/8	1/2	1-3/32	CL-1-CS				CLM-616-CLVP		
CLM-2-SCA		3			1-9/32	CL-2-CS						
CLM-2A-SCA	M12	3-1/2	1-1/4	5/8	1-17/32	CL-3A-CS	CLM-2-CR	CL-7-SPG	CLM-40-EB	CLM-12-CH	CL-1-FW	CL-2-SW
CLM-3-SCA		4			1-25/32	CL-3-CS						
CLM-4-SCA		5			2-9/32	CL-4-CS						
CLM-5-SCA		6			2-25/32	CL-5-CS						
CLM-6A-SCA		3-1/2			1-1/2	CL-6A-CS						
CLM-6-SCA		4			1-3/4	CL-6-CS						
CLM-8-SCA	M16	5	1-1/2	7/8	2-1/4	CL-8-CS	CLM-4-CR	CL-9-SPG	CLM-50A-EB	CLM-13-CH	CL-2-FW	CL-3-SW
CLM-9A-SCA		6			2-3/4	CL-10-CS						
CLM-17-SCA		4			1-11/16	CL-15A-CS						
CLM-19-SCA		5			2-3/16	CL-16-CS						
CLM-21-SCA	M20	6	1-3/4	1	2-11/16	CL-18-CS	CLM-5-CR	CL-11-SPG	CLM-62-EB	CLM-14-CH	CL-3-FW	CL-4-SW
CLM-22-SCA		6-1/2			2-15/16	CL-18A-CS						
CLM-24-SCA	M20	6	1-3/4	1	2-5/8	CL-19-CS	CLM-8-CR	CL-13-SPG	CLM-76A-EB	CLM-15-CH	CLM-10-FW	CLM-20-SW
CLM-26-SCA		7			3-1/8	CL-21-CS						
CLM-28-SCA		8			3-5/8	CL-22A-CS						

SLOTTED-HEEL CLAMP STRAPS

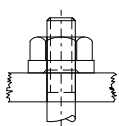
INFO+: SEE PAGES 123, 263, 311-316, 318-319, 329-330 FOR MATERIAL SPECIFICATIONS



**Stainless Steel
(Miniature)**

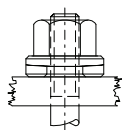
A complete clamp-strap assembly using (INFO+) a stainless steel slotted-heel strap from page 263. Select any of the four nut/knob combinations shown below by adding the appropriate suffix to the part number. Fixture Stud has a thread-locking interference thread at the bottom end to install permanently in a fixture plate.

7



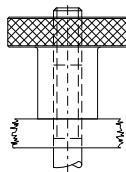
Flange Nut

CL-xxxx-1



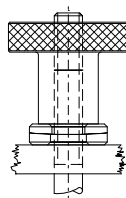
Spherical Nut
and Washer

CL-xxxx-2



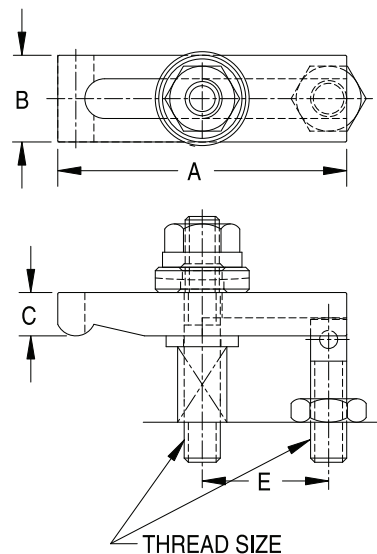
Knurled
Knob

CL-xxxx-3



Knurled Knob
and Spherical
Washer

CL-xxxx-4

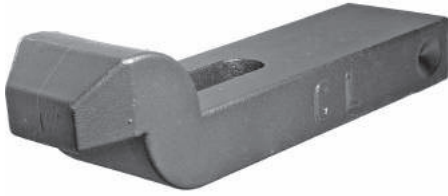


ASSEMBLIES — STAINLESS, MINIATURE (INCH)

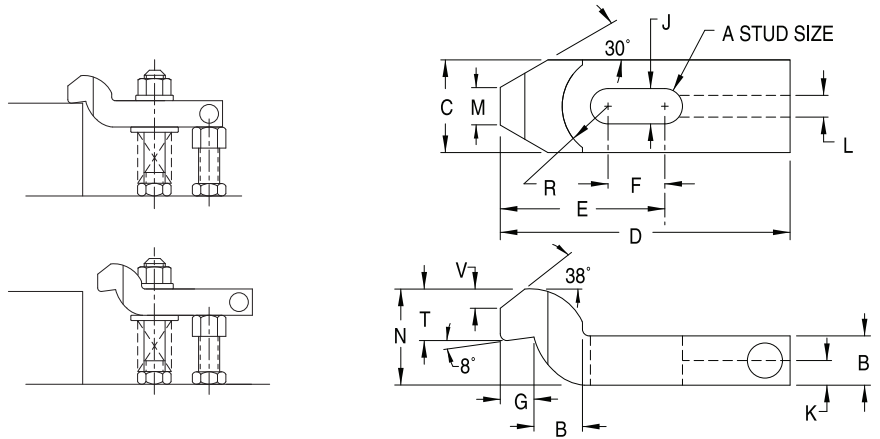
PART NO.	THREAD SIZE	A	B	C	E	CLAMP STRAP	CLAMP REST	SPRING	FLAT WASHER	STUD	JAM NUT
CL-2715-x	#10-32	1-1/2	1/2	1/4	21/32	CL-17215	CL-13410	CL-2430.7	CL-254	CL-11415	CL-3-FJN-S
CL-2825-x	1/4-20	2-1/2	5/8	3/8	1-1/8	CL-17325	CL-13515	CL-2440.7	CL-255	CL-11520	CL-4-JN-S
CL-2925-x	5/16-18	2-1/2	3/4	3/8	1-3/32	CL-17425	CL-13615	CL-2450.7	CL-256	CL-11620	CL-5-JN-S
CL-3040-x	3/8-16	3	1	1/2	1-5/16	CL-17530	CL-13717	CL-2461.0	CL-257	CL-11725	CL-6-JN-S

SLOTTED-HEEL GOOSENECK CLAMP STRAPS

STRAP: ALLOY STEEL, BLACK OXIDE FINISH
INFO+: SEE PAGES 101, 311-316, 318-319, 327, 329-330 FOR OTHER MATERIAL SPECIFICATIONS



Gooseneck version of our Slotted-Heel Clamp Straps. This design recesses the clamping nut to provide a low overall profile. Slotted-Heel Clamp Straps have a slot underneath to slide straight back for clear loading. An indentation at the rear of each side provides a secure finger grip for retracting the clamp. Available to fit 1/2-13 studs (M12 in metric).

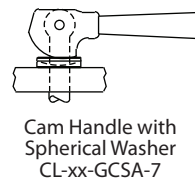
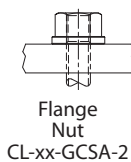
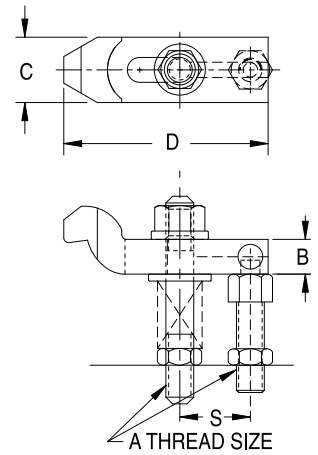


STRAPS - STEEL

PART NO.	A	B	C	D	E	F	G	J	K	L	M	N	R	T	V
CL-85-GCS	1/2 OR M12	.79	1.57	4.92	2.87	1.02	.63	.55	.34	.38	.79	1.57	.79	.90	.34



Slotted-Heel Gooseneck Clamp Straps are also available as a complete assembly. Select any of the five nut/knob combinations shown below by adding the appropriate suffix to the part number. Other lengths of Clamping Studs and Clamp Rests are available (order pieces individually).



ASSEMBLIES - STEEL (INCH)

PART NO.	A	B	C	D	S	CLAMP STRAP	CLAMP REST	SPRING	FLAT WASHER	STUD	JAM NUT
CL-85-GCSA-x	1/2 OR M12	.79	1.57	5.91	2.75	CL-85-GCS	CL-4-CR	CL-9-SPG	CL-2-FW	CL-1/2-13X4.00-STUD	CL-8-JN

ASSEMBLIES - STEEL (METRIC)

PART NO.	A	B	C	D	S	CLAMP STRAP	CLAMP REST	SPRING	FLAT WASHER	STUD	JAM NUT
CLM-85-GCSA-x	1/2 OR M12	.79	1.57	5.91	2.75	CL-85-GCS	CLM-4-CR	CL-9-SPG	CL-2-FW	CLM-12X95-STUD	CLM-12-JN

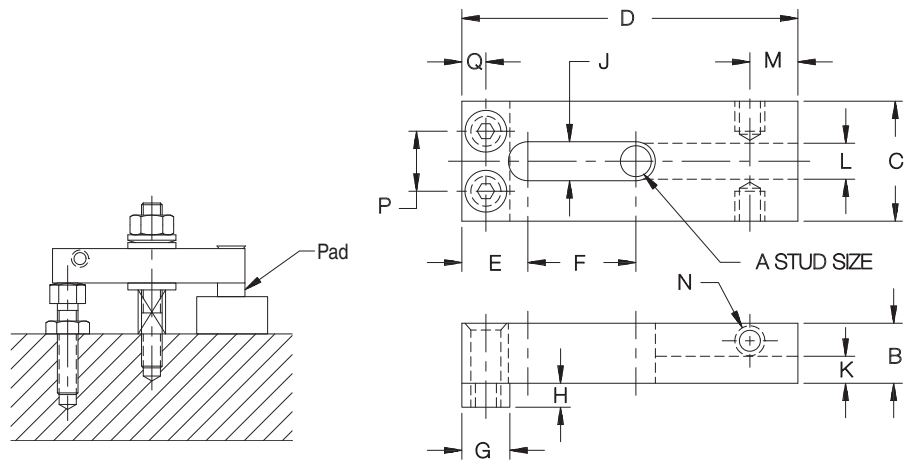
SLOTTED-HEEL PADDED CLAMP STRAPS

STRAP & PAD: 1018 STEEL, CARBURIZED-HARDENED, BLACK OXIDE FINISH
INFO+: SEE PAGES 101, 311-316, 318, 329-330 FOR OTHER MATERIAL SPECIFICATIONS



Steel

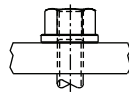
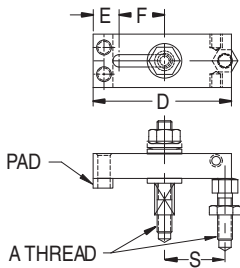
Slotted-Heel Clamp Strap that features a replaceable clamping pad attached with two screws (furnished). Clamp Strap also easily accepts custom pads or other attachments. Rear end is tapped on either side for a Finger Pin (**INFO+** page 138). Available for 1/4-20 (M6) to 1/2-13 (M12) stud sizes, most in a choice of several strap lengths.



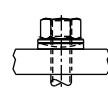
STRAPS — STEEL WITH STEEL PAD

PART NO.	A	B	C	D	E	F	G	H	J	K	L	M	N	P	Q
CL-165-CS	1/4-20 or M6	3/8	5/8	2	3/8	5/8	1/4	1/8	9/32	5/32	1/4			11/32	9/64
CL-166-CS	3/8-16 or M10	5/8	1-1/4	3-1/2	11/16	1-1/8	1/2	1/4	27/64	9/32	3/8	1/2	5/16-18	5/8	1/4
CL-168-CS				4-1/2		1-5/8									
CL-169-CS	1/2-13 or M12	3/4	1-1/2	4-1/2	7/8	1-1/4	5/8	3/8	17/32	9/32	3/8	1/2	5/16-18	3/4	5/16
CL-170A-CS				6		2									

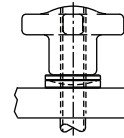
7



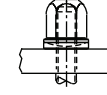
Spherical Nut & Washer
CL-xx-SHPA-1



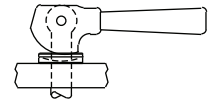
Flange Nut
CL-xx-SHPA-2



Hand Knob with Spherical Washer
CL-xx-SHPA-4



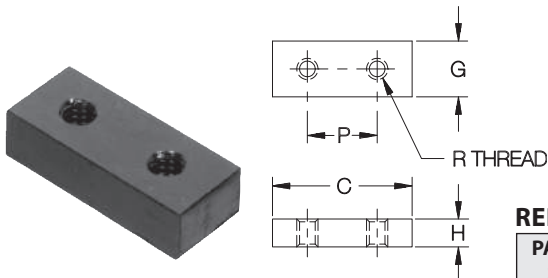
Acorn Nut with Spherical Washer
CL-xx-SHPA-5



Cam Handle with Spherical Washer
CL-xx-SHPA-7

ASSEMBLIES — STEEL WITH STEEL PAD (INCH)

PART NO.	A	D	E	F	S	CLAMP STRAP	CLAMP REST	SPRING	FLAT WASHER	CLAMPING STUD
CL-165-SHPA-x	1/4-20	2	3/8	5/8	7/8	CL-165-CS	CL-1-CR	CL-5-SPG	CL-7-FW	CL-1/4-20x2.50-STUD
CL-166-SHPA-x	3/8-16	3-1/2	11/16	1-1/8	1-7/16	CL-166-CS	CL-2-CR	CL-7-SPG	CL-1-FW	CL-3/8-16x3.00-STUD
CL-168-SHPA-x				4-1/2	1-5/8	1-15/16				
CL-169-SHPA-x	1/2-13	4-1/2	7/8	1-1/4	2-1/8	CL-169-CS	CL-4-CR	CL-9-SPG	CL-2-FW	CL-1/2-13x4.00-STUD
CL-170A-SHPA-x				6	2	2-7/8				



Replacement or optional pads for the Clamp Straps shown above. Available in steel, reinforced plastic, or brass.

REPLACEMENT PADS

PART NO. STEEL PAD	PART NO. PLASTIC PAD	PART NO. BRASS PAD	STUD SIZE	C	G	H	P	R
CL-40-CP	CL-20-CP	CL-30-CP	1/4-20 or M6	5/8	1/4	1/8	11/32	#5-40
CL-42-CP	CL-22-CP	CL-32-CP	3/8-16 or M10	1-1/4	1/2	1/4	5/8	#10-24
CL-43-CP	CL-23-CP	CL-33-CP	1/2-13 or M12	1-1/2	5/8	3/8	3/4	1/4-20

TAPPED-HEEL CLAMP STRAPS

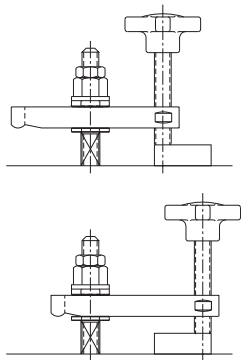
STEEL: 1018, CARBURIZED-HARDENED, BLACK OXIDE FINISH
STAINLESS STEEL: 300 SERIES



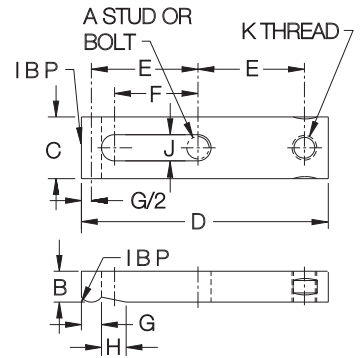
Steel and Stainless Steel

Popular Clamp Strap with a tapped heel that accepts a clamping screw or rear support. Often used with a Guide Block to allow sliding the strap straight back for clear loading. Two drill spots on the sides provide a secure grip for retracting the clamp. **INFO+**: Can also be used with a Stud Leveling Foot as a rear support (see page 205).

Available in steel for 1/4-20 to 3/4-10 stud sizes (M6 to M20 in metric), or stainless steel for #10-32 to 3/8-16 stud sizes. Each size is available in several strap lengths.



INFO+: See pages 270-272 for complete assemblies using these Clamp Straps.



STRAPS — STEEL (INCH)

PART NO.	A	B	C	D	E	F	G	H	J	K
CL-61-CS	1/4-20	3/8	5/8	2	13/16	9/16	1/4	11/32	9/32	1/4-20
CL-62-CS				2-1/2	1-1/16	13/16				
CL-63-CS	3/8-16	1/2	1-1/8	3	1-7/32	13/16	13/32	1/2	27/64	3/8-16
CL-65-CS				4	1-23/32	1-5/16				
CL-67-CS				5	2-7/32	1-13/16				
CL-69-CS				6	2-23/32	2-5/16				
CL-70-CS	1/2-13	5/8	1-1/4	3-1/2	1-13/32	15/16	13/32	1/2	17/32	1/2-13
CL-71-CS				4	1-21/32	1-3/16				
CL-72-CS				4-1/2	1-29/32	1-7/16				
CL-73-CS				5	2-5/32	1-11/16				
CL-74-CS				5-1/2	2-13/32	1-15/16				
CL-75-CS				6	2-21/32	2-3/16				
CL-81-CS	5/8-11	7/8	1-1/2	4	1-9/16	1	1/2	19/32	21/32	5/8-11
CL-77-CS				4-1/2	1-13/16	1-1/4				
CL-83-CS				5	2-1/16	1-1/2				
CL-85-CS				6	2-9/16	2				
CL-86-CS	3/4-10	1	1-3/4	6-1/2	2-13/16	2-1/4	1/2	19/32	13/16	3/4-10
CL-88-CS				6	2-1/2	1-29/32				
CL-90-CS				7	3	2-13/32				
CL-92-CS				8	3-1/2	2-29/32				

STRAPS — STEEL (METRIC)

CLM-61-CS	M6	3/8	5/8	2	13/16	9/16	1/4	11/32	9/32	M6
CLM-62-CS	M10	1/2	1-1/8	2-1/2	1-1/16	13/16	13/32	1/2	27/64	M10
CLM-63-CS				3	1-7/32	13/16				
CLM-65-CS	M12	5/8	1-1/4	4	1-23/32	1-5/16	13/32	1/2	17/32	M12
CLM-67-CS				5	2-7/32	1-13/16				
CLM-70-CS				3-1/2	1-13/32	15/16				
CLM-71-CS				4	1-21/32	1-3/16				
CLM-72-CS	M16	7/8	1-1/2	4-1/2	1-29/32	1-7/16	1/2	19/32	21/32	M16
CLM-73-CS				5	2-5/32	1-11/16				
CLM-75-CS				6	2-21/32	2-3/16				
CLM-81-CS	M20	1	1-3/4	4	1-9/16	1	1/2	19/32	13/16	M20
CLM-83-CS				5	2-1/16	1-1/2				
CLM-85-CS				6	2-9/16	2				
CLM-88-CS				6	2-1/2	1-29/32	1/2	19/32	13/16	M20
CLM-92-CS				8	3-1/2	2-29/32				

STRAPS — STAINLESS, MINIATURE (INCH)

CL-18215	#10-32	1/4	1/2	1-1/2	19/32	13/32	3/16	5/16	7/32	#10-32
CL-18220	1/4-20	3/8	5/8	2	13/16	19/32	1/4	3/8	9/32	1/4-20
CL-18320				2-1/2	1-1/16	27/32				
CL-18325	5/16-18	3/8	3/4	2	3/4	1/2	5/16	7/16	11/32	5/16-18
CL-18420				2-1/2	1	3/4				
CL-18425				3	1-1/4	1				
CL-18430	3/8-16	1/2	1	3-1/2	1-15/32	1-1/8	3/8	1/2	27/64	3/8-16
CL-18535				4	1-23/32	1-3/8				
CL-18540										

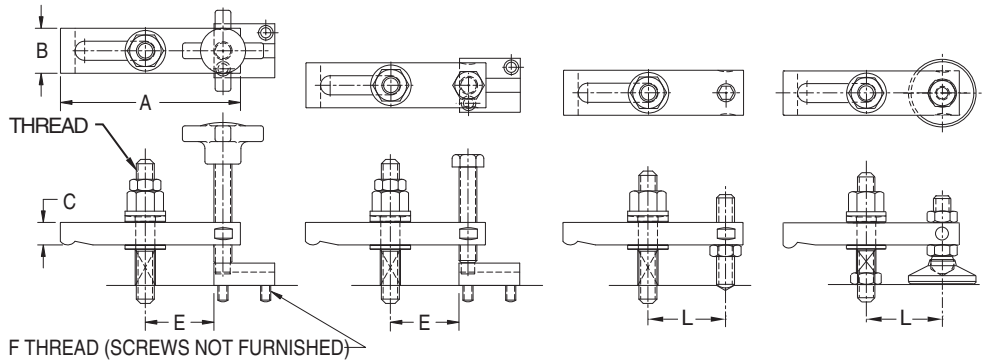
TAPPED-HEEL CLAMP STRAPS

INFO+: SEE PAGES 100-101, 269, 311-316, 318-319, 330 FOR MATERIAL SPECIFICATION



Steel

A complete clamp-strap assembly using a tapped-heel strap from (INFO+ page 269). Select one of two clamping screws or a rear Clamp Rest, as shown below, by adding the appropriate suffix to the part number.



Hand-Knob Clamping Screw
CL-xx-THA-HK

Hex-Head Clamping Screw
CL-xx-THA-HH

Oval-Point Clamp Rest
CL-xx-THA-OP

Leveling Foot
CL-xx-THA-LF

ASSEMBLIES — STEEL (INCH)

PART NO.	THREAD SIZE	A	B	C	E	F	L	CLAMP STRAP	GUIDE BLOCK*	STUD & SPRING	NUTS	FLAT WASHER
CL-1-THA-xx	1/4-20	2	5/8	3/8	11/16	#6-32	13/16	CL-61-CS	CL-2-GB	CL-1/4-20x2.00-STUD CL-5-SPG	CL-4-JN CL-1-SNW	CL-7-FW
CL-2-THA-xx		2-1/2			15/16		1-1/16	CL-62-CS				
CL-3-THA-xx	3/8-16	3	1-1/8	1/2	1-1/32	#10-32	1-7/32	CL-63-CS	CL-4-GB	CL-3/8-16x3.00-STUD CL-7-SPG	CL-6-JN CL-2-SNW	CL-1-FW
CL-5-THA-xx		4			1-17/32		1-23/32	CL-65-CS				
CL-7-THA-xx		5			2-1/32		2-7/32	CL-67-CS				
CL-9-THA-xx		6			2-17/32		2-23/32	CL-69-CS				
CL-10-THA-xx	1/2-13	3-1/2	1-1/4	5/8	1-5/32	1/4-20	1-13/32	CL-70-CS	CL-6-GB	CL-1/2-13x4.00-STUD CL-9-SPG	CL-8-JN CL-3-SNW	CL-2-FW
CL-11-THA-xx		4			1-13/32		1-21/32	CL-71-CS				
CL-12-THA-xx		4-1/2			1-21/32		1-29/32	CL-72-CS				
CL-13-THA-xx		5			1-29/32		2-5/32	CL-73-CS				
CL-14-THA-xx		5-1/2			2-5/32		2-13/32	CL-74-CS				
CL-15-THA-xx		6			2-13/32		2-21/32	CL-75-CS				
CL-17-THA-xx	5/8-11	4	1-1/2	7/8	1-1/4	1/4-20	1-9/16	CL-81-CS	CL-8-GB	CL-5/8-11x4.00-STUD CL-11-SPG	CL-10-JN CL-4-SNW	CL-3-FW
CL-21-THA-xx		4-1/2			1-1/2		1-13/16	CL-77-CS				
CL-23-THA-xx		5			1-3/4		2-1/16	CL-83-CS				
CL-25-THA-xx		6			2-1/4		2-9/16	CL-85-CS				
CL-26-THA-xx	3/4-10	6-1/2	1-3/4	1	2-1/2	1/4-20	2-13/16	CL-86-CS	CL-11-GB	CL-3/4-10x5.00-STUD CL-13-SPG	CL-12-JN CL-5-SNW	CL-4-FW
CL-28-THA-xx		6			2-1/8		2-1/2	CL-88-CS				
CL-30-THA-xx		7			2-5/8		3	CL-90-CS				
CL-32-THA-xx	8	3-1/8		3-1/2	CL-92-CS							

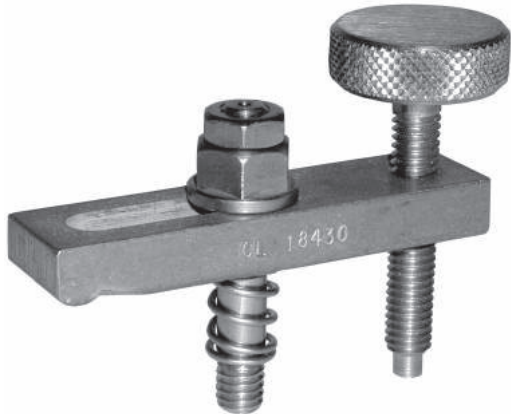
ASSEMBLIES — STEEL (METRIC)

CLM-1-THA-xx	M6	2	5/8	3/8	11/16	M4	13/16	CLM-61-CS	CL-2-GB	CLM-6x65-STUD CL-5-SPG	CLM-6-JN CLM-6-SNW	CL-7-FW								
CLM-2-THA-xx	M6	2-1/2	5/8	3/8	15/16	M4	1-1/16	CLM-62-CS	CL-2-GB	CLM-6x65-STUD CL-5-SPG	CLM-6-JN CLM-6-SNW	CL-7-FW								
CLM-3-THA-xx		3			1-1/32		1-1/16	CLM-63-CS												
CLM-5-THA-xx	M10	4	1-1/8	1/2	1-17/32	M5	1-23/32	CLM-65-CS	CL-4-GB	CLM-10x80-STUD CL-7-SPG	CLM-10-JN CLM-10-SNW	CL-1-FW								
CLM-7-THA-xx		5			2-1/32		2-7/32	CLM-67-CS												
CLM-10-THA-xx		3-1/2			1-5/32		1-13/32	CLM-70-CS												
CLM-11-THA-xx		4			1-13/32		1-21/32	CLM-71-CS												
CLM-12-THA-xx	M12	4-1/2	1-1/4	5/8	1-21/32	M6	1-29/32	CLM-72-CS	CL-6-GB	CLM-12x95-STUD CL-9-SPG	CLM-12-JN CLM-12-SNW	CL-2-FW								
CLM-13-THA-xx		5			1-29/32		2-5/32	CLM-73-CS												
CLM-15-THA-xx		6			2-13/32		2-21/32	CLM-75-CS												
CLM-21-THA-xx		4			1-1/4		1-9/16	CLM-81-CS												
CLM-23-THA-xx		M16			5		1-1/2	7/8					1-3/4	M6	2-1/16	CLM-83-CS	CL-8-GB	CLM-16x110-STUD CL-11-SPG	CLM-16-JN CLM-16-SNW	CL-3-FW
CLM-25-THA-xx					6								2-1/4		2-9/16	CLM-85-CS				
CLM-28-THA-xx	M20	6	1-3/4	1	2-1/8	M6	2-1/2	CLM-88-CS	CL-11-GB	CLM-20x125-STUD CL-13-SPG	CLM-20-JN CLM-20-SNW	CLM-10-FW								
CLM-32-THA-xx		8			3-1/8		3-1/2	CLM-92-CS												

* Not included on oval-point version

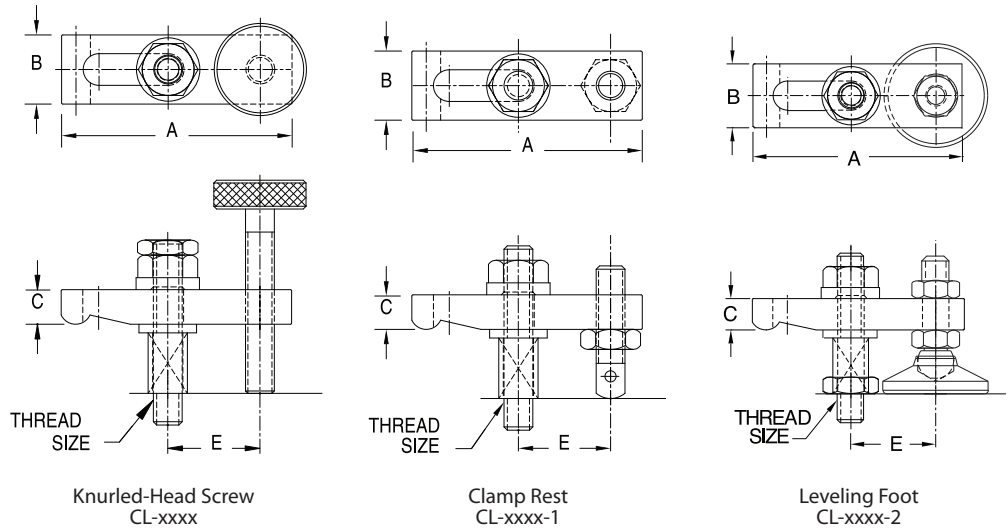
TAPPED-HEEL CLAMP STRAPS

INFO+: 119, 203, 271, 313, 316, 318-319, 329-330 SEE PAGES FOR MATERIAL SPECIFICATIONS



**Stainless Steel
(Miniature)**

A complete clamp-strap assembly using (INFO+) a stainless steel Tapped-Heel Strap from page 269. Fixture Stud has a thread-locking interference thread at the bottom end to install permanently in a fixture plate. Standard assembly includes a Knurled-Head Screw. To order with a rear Clamp Rest instead, add "-1" to the part number (example: CL-3115-1). To order with a Leveling Foot instead, add "-2" to the part number (example: CL-3115-2).



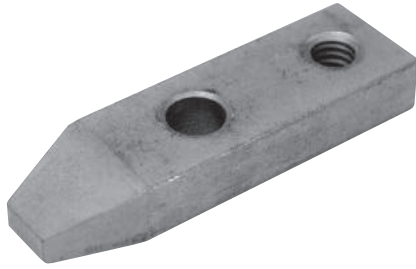
ASSEMBLIES — STAINLESS, MINIATURE (INCH)

PART NO. WITH KNURLED HEAD SCREW	THREAD SIZE	A	B	C	E	CLAMP STRAP	KNURLED HEAD SCREW	CLAMP REST	LEVELING FOOT	SPRING	FLAT WASHER	STUD	FLANGE NUT
CL-3115	#10-32	1-1/2	1/2	1/4	19/32	CL-18215	CL-23212	CL-13410	CL-3-SLF-S	CL-2430.7	CL-254	CL-11415	CL-124
CL-3120		2			27/32	CL-18220							
CL-3220	1/4-20	2	5/8	3/8	13/16	CL-18320	CL-23515	CL-13515	CL-4-SLF-S	CL-2440.7	CL-255	CL-11520	CL-125
CL-3225		2-1/2			1-1/16	CL-18325							
CL-3320	5/16-18	2	3/4	3/8	3/4	CL-18420	CL-23620	CL-13615	CL-5-SLF-S	CL-2450.7	CL-256	CL-11620	CL-126
CL-3325		2-1/2			1	CL-18425							
CL-3330		3			1-1/4	CL-18430							
CL-3435		3-1/2			1-15/32	CL-18535							
CL-3440	3/8-16	4	1	1/2	1-23/32	CL-18540	CL-23820	CL-13717	CL-6-SLF-S	CL-2461.0	CL-257	CL-11725	CL-127

TAPERED-NOSE CLAMP STRAPS

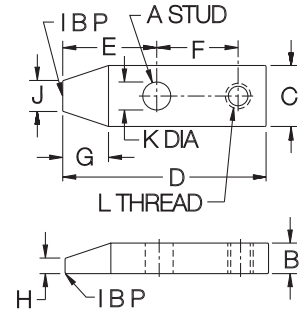
STRAP: 300-SERIES STAINLESS STEEL

INFO+: SEE PAGES 117, 313, 316, 318-319, 329-330 FOR OTHER MATERIAL SPECIFICATIONS



**Stainless Steel
(Miniature)**

Tapped-Heel Clamp Strap with a tapered nose for clamping in tight spaces. Available in stainless steel for #10-32 to 3/8-16 stud sizes.



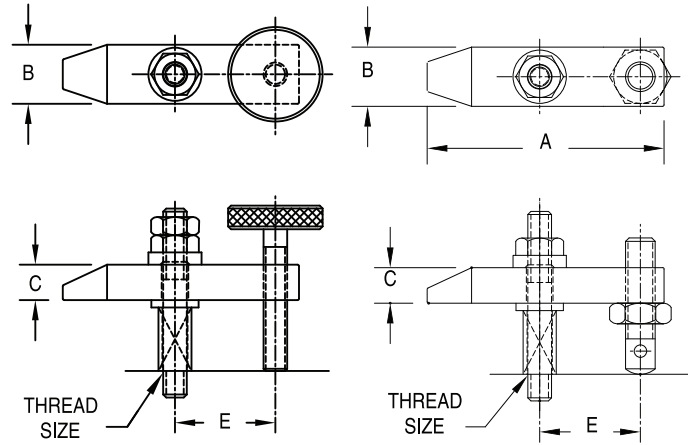
STRAPS — STAINLESS, MINIATURE (INCH)

PART NO.	A	B	C	D	E	F	G	H	J	K	L
CL-20215	#10-32	1/4	1/2	1-1/2	11/16	19/32	3/8	1/8	1/4	7/32	#10-32
CL-20220				2	15/16	27/32					
CL-20320	1/4-20	3/8	5/8	2	15/16	13/16	15/32	5/32	5/16	9/32	1/4-20
CL-20325				2-1/2	1-3/16	1-1/16					
CL-20425	5/16-18	3/8	3/4	2-1/2	1-5/32	1	9/16	3/16	3/8	11/32	5/16-18
CL-20535	3/8-16	1/2	1	3-1/2	1-21/32	1-15/32	3/4	1/4	1/2	27/64	3/8-16

7



**Stainless Steel
(Miniature)**



Knurled-Head Screw
CL-xxxx

Clamp Rest
CL-xxxx-1

A complete clamp-strap assembly using one of the straps shown above. Fixture Stud has a thread-locking interference thread at the bottom end to install permanently in a fixture plate. Standard assembly includes a Knurled-Head Screw. To order with a rear Clamp Rest instead, add "-1" to the part number. Example: CL-3915-1.

ASSEMBLIES — STAINLESS, MINIATURE (INCH)

PART NO. WITH KNURLED HEAD SCREW	PART NO. WITH CLAMP REST	THREAD SIZE	A	B	C	E	CLAMP STRAP	KNURLED HEAD SCREW	CLAMP REST	SPRING	FLAT WASHER	STUD	FLANGE NUT
CL-3915	CL-3915-1	#10-32	1-1/2	1/2	1/4	19/32	CL-20215	CL-23212	CL-13410	CL-2430.7	CL-254	CL-11415	CL-124
CL-3920	CL-3920-1		2			27/32	CL-20220	CL-23212	CL-13410	CL-2430.7	CL-254	CL-11415	CL-124
CL-4020	CL-4020-1	1/4-20	2	5/8	3/8	13/16	CL-20320	CL-23515	CL-13515	CL-2440.7	CL-255	CL-11520	CL-125
CL-4025	CL-4025-1		2-1/2			1-1/16	CL-20325	CL-23515	CL-13515	CL-2440.7	CL-255	CL-11520	CL-125
CL-4125	CL-4125-1	5/16-18	2-1/2	3/4	3/8	1	CL-20425	CL-23620	CL-13615	CL-2450.7	CL-256	CL-11620	CL-126
CL-4235	CL-4235-1	3/8-16	3-1/2	1	1/2	1-15/32	CL-20535	CL-23820	CL-13717	CL-2461.0	CL-257	CL-11725	CL-127

WIDE-NOSE CLAMP STRAPS

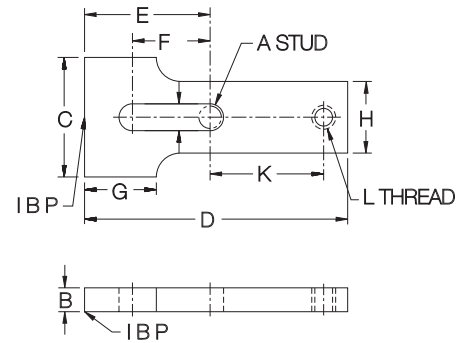
STRAP: 300-SERIES STAINLESS STEEL

INFO+: SEE PAGES 117, 203, 313, 316, 318-319, 329-330 FOR OTHER MATERIAL SPECIFICATIONS



**Stainless Steel
(Miniature)**

Tapped-Heel Clamp Strap with an extra-wide nose. Available in stainless steel for 1/4-20 studs.

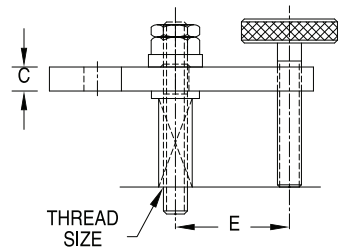
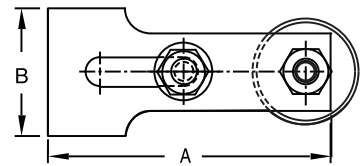
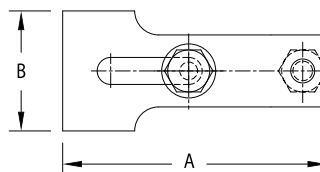
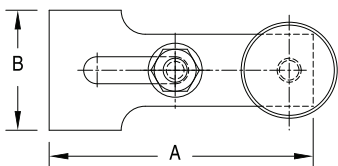


**Stainless Steel
(Miniature)**

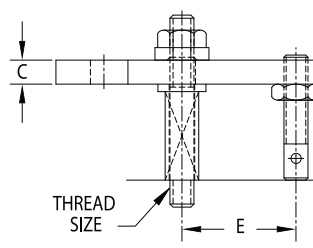
STRAPS — STAINLESS, MINIATURE (INCH)

PART NO.	A	B	C	D	E	F	G	H	J	K	L
CL-22227	1/4-20	1/4	1-1/4	2-3/4	1-5/16	13/16	3/4	3/4	9/32	1-3/16	1/4-20

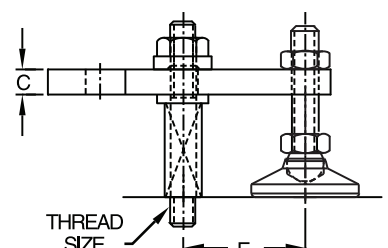
A complete Clamp-Strap assembly using the Clamp Strap shown above. Fixture stud has a thread-locking interference thread at the bottom end to install permanently in a fixture plate. Standard assembly includes a Knurled-Head Screw. To order with a rear Clamp Rest instead, add "-1" to the part number (CL-44227-1). To order with a levelling foot instead, add "-2" to the part number (CL-44227-2).



Knurled-Head Screw
CL-xxxx



Clamp Rest
CL-xxxx-1



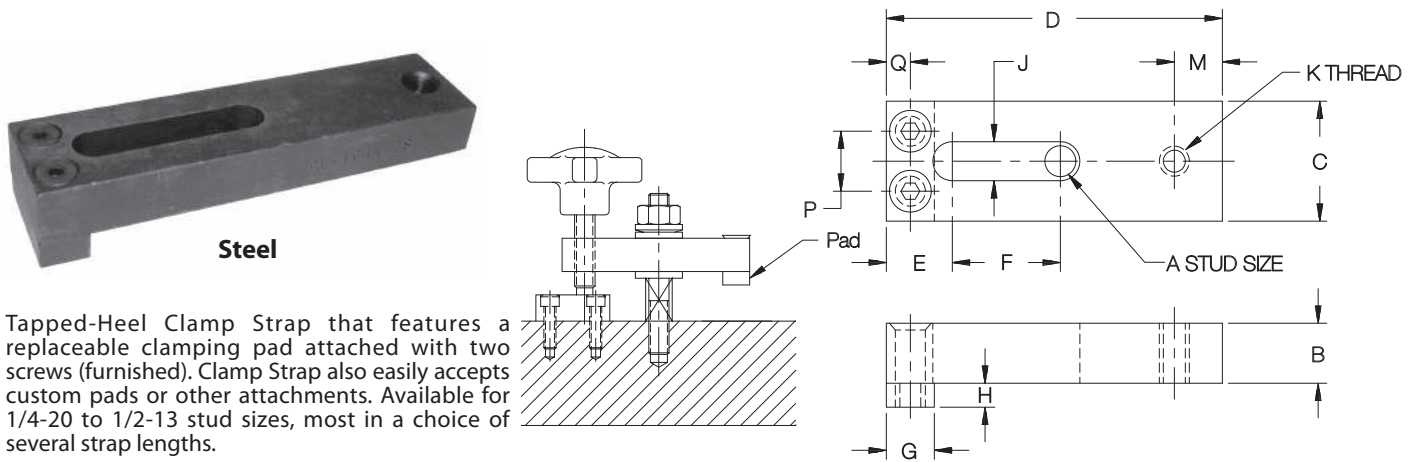
Levelling Foot
CL-xxxx-2

ASSEMBLIES — STAINLESS, MINIATURE (INCH)

PART NO. WITH KNURLED HEAD SCREW	THREAD SIZE	A	B	C	E	CLAMP STRAP	KNURLED HEAD SCREW	CLAMP REST	LEVELING FOOT	SPRING	FLAT WASHER	STUD	FLANGE NUT
CL-44227	1/4-20	2-3/4	1-1/4	1/4	1-3/16	CL-22227	CL-23515	CL-13515	CL-13515	CL-2440.7	CL-255	CL-11520	CL-125

TAPPED-HEEL PADDED CLAMP STRAPS

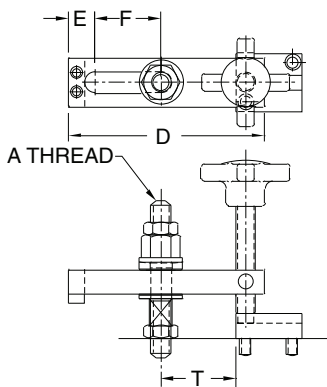
STRAP & PAD: 1018 STEEL, CARBURIZED-HARDENED, BLACK OXIDE FINISH
INFO+: SEE PAGES 101, 203, 312, 315-316, 318, 330 FOR OTHER MATERIAL SPECIFICATIONS



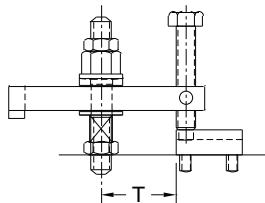
Tapped-Heel Clamp Strap that features a replaceable clamping pad attached with two screws (furnished). Clamp Strap also easily accepts custom pads or other attachments. Available for 1/4-20 to 1/2-13 stud sizes, most in a choice of several strap lengths.

STRAPS — STEEL WITH STEEL PAD (INCH)

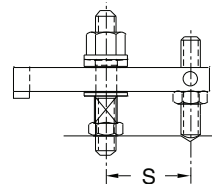
PART NO.	A	B	C	D	E	F	G	H	J	K	M	P	Q
CL-157-CS	1/4-20	3/8	5/8	2	3/8	5/8	1/4	1/8	9/32	1/4-20	7/32	11/32	9/64
CL-158A-CS	5/16-18	1/2	7/8	2-1/2	9/16	3/4	3/8	3/16	11/32	5/16-18	1/4	1/2	3/16
CL-159A-CS				3-1/2		1-1/4							
CL-160A-CS	3/8-16	5/8	1-1/4	3-1/2	11/16	1-1/8	1/2	1/4	27/64	3/8-16	3/8	5/8	1/4
CL-162A-CS				4-1/2		1-5/8							
CL-163A-CS	1/2-13	3/4	1-1/2	4-1/2	7/8	1-1/4	5/8	3/8	17/32	1/2-13	7/16	3/4	5/16
CL-164A-CS				6		2							



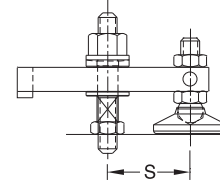
Hand-Knob Clamping Screw
CL-xx-THPA-HK



Hex-Head Clamping Screw
CL-xx-THPA-HH



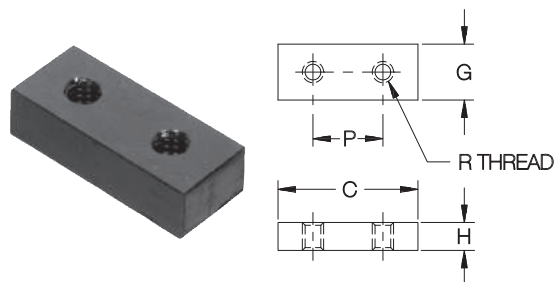
Oval-Point Clamp Rest
CL-xx-THPA-OP



Leveling Foot
CL-xx-THPA-LF

ASSEMBLIES — STEEL WITH STEEL PAD (INCH)

PART NO.	A	D	E	F	S	T	CLAMP STRAP	GUIDE BLOCK	SPRING	CLAMPING STUD	NUTS	FLAT WASHER
CL-157-THPA-xx	1/4-20	2	3/8	5/8	25/32	21/32	CL-157-CS	CL-2-GB	CL-5-SPG	CL-1/4-20x2.00-STUD	CL-4-JN CL-1-SNW	CL-7-FW
CL-160A-THPA-xx	3/8-16	3-1/2	11/16	1-1/8	1-5/16	1-1/8	CL-160A-CS	CL-4-GB	CL-7-SPG	CL-3/8-16x3.00-STUD	CL-6-JN CL-2-SNW	CL-1-FW
CL-162A-THPA-xx		4-1/2		1-5/8	1-13/16	1-5/8	CL-162A-CS					
CL-163A-THPA-xx	1/2-13	4-1/2	7/8	1-1/4	1-15/16	1-11/16	CL-163A-CS	CL-8-GB	CL-9-SPG	CL-1/2-13x4.00-STUD	CL-8-JN CL-3-SNW	CL-2-FW
CL-164A-THPA-xx		6		2	2-11/16	2-7/16	CL-164A-CS					



Replacement or optional pads for the Clamp Straps shown above. Available in steel, reinforced plastic, or brass.

REPLACEMENT PADS

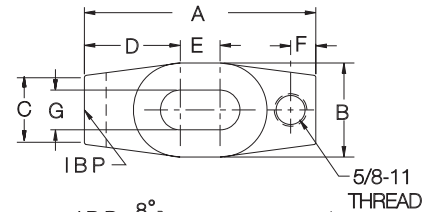
PART NO.	PART NO.	PART NO.	STUD SIZE	C	G	H	P	R
STEEL PAD	PLASTIC PAD	BRASS PAD						
CL-40-CP	CL-20-CP	CL-30-CP	1/4-20	5/8	1/4	1/8	11/32	#5-40
CL-41-CP	CL-21-CP	CL-31-CP	5/16-18	7/8	3/8	3/16	1/2	#8-32
CL-42-CP	CL-22-CP	CL-32-CP	3/8-16	1-1/4	1/2	1/4	5/8	#10-24
CL-43-CP	CL-23-CP	CL-33-CP	1/2-13	1-1/2	5/8	3/8	3/4	1/4-20

FORGED CLAMP STRAPS

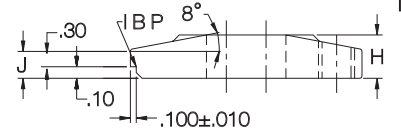
FORGED STEEL, 70,000 PSI YIELD STRENGTH, BLACK OXIDE FINISH



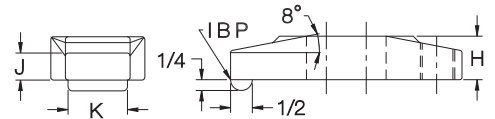
**Straight
Locator Nose**



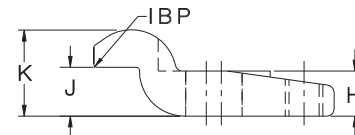
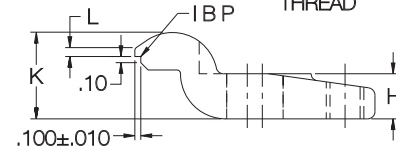
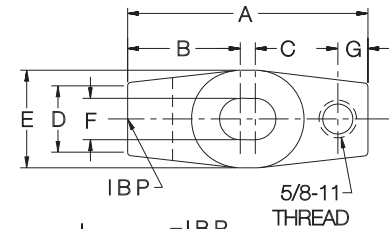
**Straight
Plain Nose**



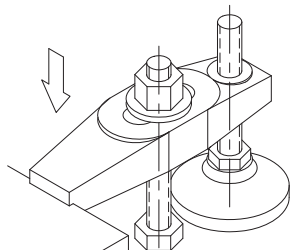
**Gooseneck
Locator Nose**



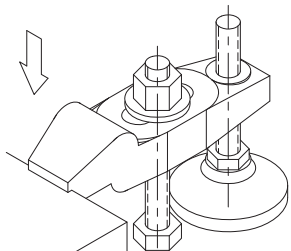
**Gooseneck
Plain Nose**



High-strength Tapped-Heel Clamp Strap available in straight or gooseneck design, with locator nose or plain nose. Locator-nose version is ideal for workpieces with machined sides. The accurately machined notch ensures precise, repeatable clamp location for increased machining clearance. **INFO+**: For rear Clamp Rests, see Stud Leveling Feet on page 205.



**Straight
Locator Nose
Clamp**



**Gooseneck
Locator Nose
Clamp**

STRAIGHT — LOCATOR NOSE (INCH)

PART NO.	STUD SIZE	A	B	C	D	E	F	G	H	J	K
CL-4-FSCS	5/8-11	4	1-5/8	1-3/16	1-21/32	11/16	7/16	11/16	3/4	1/2	-
CL-6-FSCS		6	1-3/4	1-1/4	2-5/16	1-3/8	9/16	11/16	7/8	9/16	-
CL-8-FSCS	3/4-10	8	2-1/8	1-1/2	3	2	11/16	13/16	1-1/8	3/4	-

STRAIGHT — PLAIN NOSE (INCH)

PART NO.	STUD SIZE	A	B	C	D	E	F	G	H	J	K
CL-4-FRCS	5/8-11	4	1-5/8	1-3/16	1-21/32	11/16	7/16	11/16	3/4	1/2	1
CL-6-FRCS		6	1-3/4	1-1/4	2-5/16	1-3/8	9/16	11/16	7/8	9/16	-
CL-8-FRCS	3/4-10	8	2-1/8	1-1/2	3	2	11/16	13/16	1-1/8	3/4	1-1/4

GOOSENECK — LOCATOR NOSE (INCH)

PART NO.	STUD SIZE	A	B	C	D	E	F	G	H	J	K	L
CL-40-FGNS	5/8-11	4	1-31/32	3/16	1-3/16	1-3/4	11/16	1/2	3/4	3/4	1-7/16	.15
CL-60-FGNS		6	2-17/32	1	1-1/4	1-3/4	11/16	5/8	7/8	15/16	1-9/16	.25
CL-80-FGNS	3/4-10	8	3-9/32	1-5/8	1-9/16	2-1/4	13/16	1	1-1/8	1-1/8	2	.35

GOOSENECK — PLAIN NOSE (INCH)

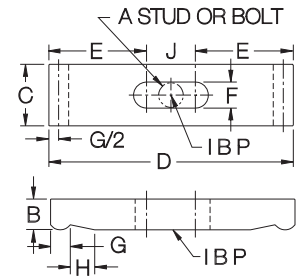
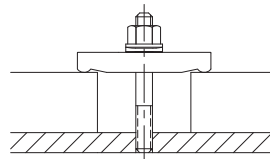
PART NO.	STUD SIZE	A	B	C	D	E	F	G	H	J	K	
CL-4-FGNS	5/8-11	4	1-31/32	3/16	1-3/16	1-3/4	11/16	1/2	3/4	3/4	1-7/16	-
CL-6-FGNS		6	2-17/32	1	1-1/4	1-3/4	11/16	5/8	7/8	15/16	1-9/16	-
CL-8-FGNS	3/4-10	8	3-9/32	1-5/8	1-9/16	2-1/8	13/16	1	1-1/8	1-1/8	2	-

DOUBLE-END CLAMP STRAPS

STRAP: 1018 STEEL, CARBURIZED-HARDENED, BLACK OXIDE FINISH
INFO+: SEE PAGES 101, 109, 311-316, 318-319, 327-330 FOR OTHER MATERIAL SPECIFICATIONS



Steel



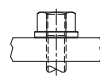
Clamp strap with two clamping ends, for holding two workpieces simultaneously. Available for 1/4-20 (M6) to 3/4-10 (M20) stud sizes, each in several strap lengths.

STRAPS — STEEL

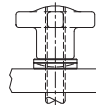
PART NO.	A	B	C	D	E	F	G	H	J
CL-23B-CS	1/4-20 or M6	3/8	5/8	2-1/2	7/8	9/32	1/4	11/32	3/4
CL-23D-CS	5/16-18 or M8	1/2	3/4	3	1-1/2	3/8	5/16	7/16	0
CL-23-CS	3/8-16 or M10	1/2	1-1/8	3	1	27/64	13/32	1/2	1
CL-30-CS	1/2-13 or M12	5/8	1-1/4	6	2-1/2	17/32	13/32	1/2	1
CL-33-CS	5/8-11 or M16	7/8	1-1/2	6	2-3/8	21-32	1/2	19/32	1-1/4
CL-39-CS	3/4-10 or M20	1	1-3/4	6	3-1/8	13/16	1/25	19/32	1/3/4



Spherical Nut & Washer
CL-xx-DEA-1



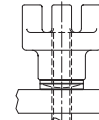
Flange Nut
CL-xx-DEA-2



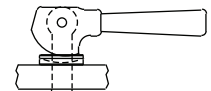
Hand Knob with Spherical Washer
CL-xx-DEA-4



Acorn Nut with Spherical Washer
CL-xx-DEA-5



Bar Knob with Spherical Washer*
CL-xx-DEA-6



Cam Handle with Spherical Washer
CL-xx-DEA-7

ASSEMBLIES — STEEL (INCH)

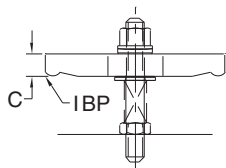
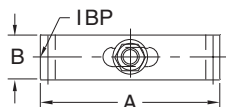
PART NO.	THREAD SIZE	A	B	C	CLAMP STRAP	FLAT WASHER	SPRING & STUD
CL-1-DEA-x	1/4-20	2-1/2	5/8	3/8	CL-23B-CS	CL-7-FW	CL-1/4-20x2.50-STUD CL-5-SPG
CL-1B-DEA-x	5/16-18	3	3/4	1/2	CL-23D-CS	CL-14-FW	CL-5/16-18x3.00-STUD CL-6-SPG
CL-2-DEA-x	3/8-16	3	1-1/8	1/2	CL-23-CS	CL-1-FW	CL-3/8-16x3.00-STUD CL-7-SPG
CL-12-DEA-x	1/2-13	6	1-1/4	5/8	CL-30-CS	CL-2-FW	CL-1/2-13x4.00-STUD CL-9-SPG
CL-13-DEA-x	5/8-11	6	1-1/2	7/8	CL-33-CS	CL-3-FW	CL-5/8-11x4.50-STUD CL-11-SPG
CL-23-DEA-x	3/4-10	8	1-3/4	1	CL-39-CS	CL-4-FW	CL-3/4-10x5.00-STUD CL-13-SPG

ASSEMBLIES — STEEL (METRIC)

CLM-xx-DEA-x	M	A	B	C	CL-xx-CS	CL-xx-FW	CLM-xx-STUD CL-xx-SPG
CLM-1-DEA-x	M6	2-1/2	5/8	3/8	CL-23B-CS	CL-7-FW	CLM-6x65-STUD CL-5-SPG
CLM-1B-DEA-x	M8	3	3/4	1/2	CL-23D-CS	CL-14-FW	CLM-8x80-STUD CL-6-SPG
CLM-2-DEA-x	M10	3	1-1/8	1/2	CL-23-CS	CL-1-FW	CLM-10x80-STUD CL-7-SPG
CLM-12-DEA-x	M12	6	1-1/4	5/8	CL-30-CS	CL-2-FW	CLM-12x95-STUD CL-9-SPG
CLM-13-DEA-x	M16	6	1-1/2	7/8	CL-33-CS	CL-3-FW	CLM-16x110-STUD CL-11-SPG
CLM-23-DEA-x	M20	8	1-3/4	1	CL-39-CS	CLM-10-FW	CLM-20x125-STUD CL-13-SPG



Steel



A complete clamp-strap assembly using one of the straps shown above. Select any of the six nut/washer combinations shown above by adding the appropriate suffix to the part number. Other stud lengths are available (order pieces individually).

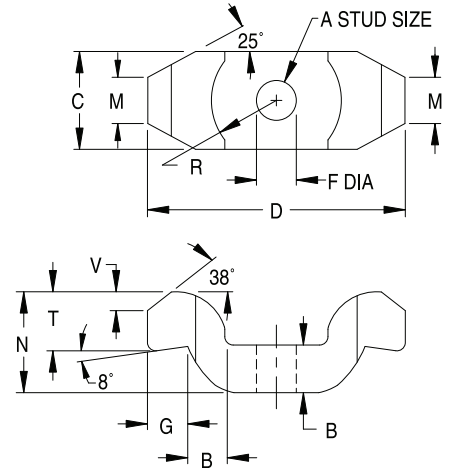
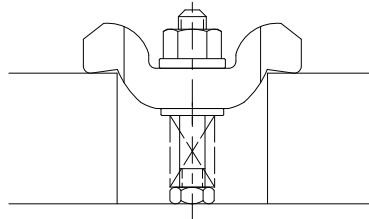
DOUBLE-END GOOSENECK CLAMP STRAPS

STRAP: ALLOY STEEL, BLACK OXIDE FINISH
 INFO+: SEE PAGES 101, 311-316, 318, 329-330 FOR OTHER MATERIAL SPECIFICATIONS



Steel

Gooseneck version of our Double-End Clamp Straps. This design recesses the clamping nut to provide a low overall profile. Double-End Clamps have two clamping ends, for holding two workpieces simultaneously. Turn strap 90° for clear loading. Available to fit 1/2-13 and 5/8-11 studs (M12 and M16 in metric).

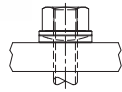
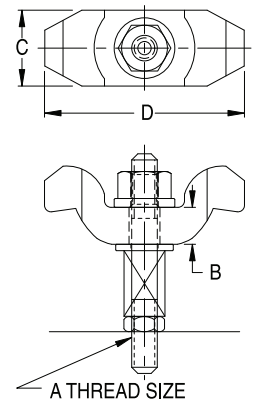


STRAPS – STEEL

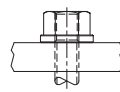
PART NO.	A	B	C	D	F	G	M	N	R	T	V
CL-842-GCS	1/2-13, 5/8-11, M12, or M16	.79	1.58	3.94	.67	.63	.79	1.58	.94	.90	.34



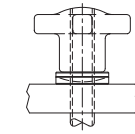
Double-End Gooseneck Clamp Straps are also available as a complete assembly. Select any of the four nut/knob combinations shown below by adding the appropriate suffix to the part number. Other lengths of Clamping Studs and Clamp Rests are available (order pieces individually).



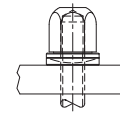
Spherical Nut & Washer
CL-xx-GCSA-1



Flange Nut
CL-xx-GCSA-2



Hand Knob with Spherical Washer
CL-xx-GCSA-4



Acorn Nut with Spherical Washer
CL-xx-GCSA-5

ASSEMBLIES – STEEL (INCH)

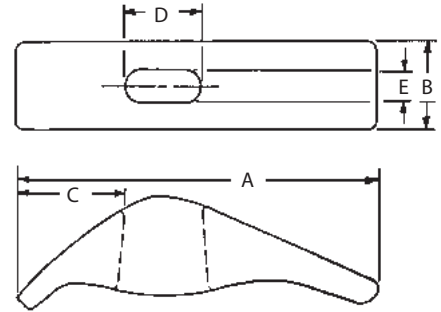
PART NO.	A	B	C	D	CLAMP STRAP	FLAT WASHER	CLAMP SPRING	CLAMPING STUD	JAM NUT
CL-842-GCSA-x	1/2-13	.79	1.58	3.94	CL-842-GCS	CL-2-FW	CL-9-SPG	CL-1/2-13X4.00-STUD	CL-8-JN
CL-1042-GCSA-x	5/8-11					CL-3-FW	CL-11-SPG	CL-5/8-11X4.50-STUD	CL-10-JN

ASSEMBLIES – STEEL (METRIC)

PART NO.	A	B	C	D	CLAMP STRAP	FLAT WASHER	CLAMP SPRING	CLAMPING STUD	JAM NUT
CLM-842-GCSA-x	M12	.79	1.58	3.94	CL-842-GCS	CL-2-FW	CL-9-SPG	CLM-12X95-STUD	CLM-12-JN
CLM-1042-GCSA-x	M16					CL-3-FW	CL-11-SPG	CLM-16X10-STUD	CLM-16-JN

ALUMINUM ADJUSTABLE CLAMPS

TENZALOY ALUMINUM ALLOY

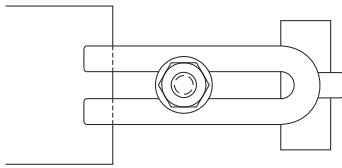


Simple, economical aluminum clamp, (INFO+) similar in function to the Forged Adjustable Clamps shown on page 262.

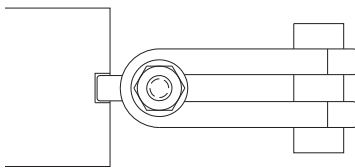
PART NO.	STUD SIZE	CLAMPING RANGE	A	B	C	D	E
CL-8-VAC	3/8 or M10	0 to 2"	4-7/8	1-1/4	1-3/8	1	13/32
CL-10-VAC	1/2 or M12	0 to 2-1/2"	5-1/2	1-1/2	1-1/2	1-1/8	17/32

FORGED U CLAMPS

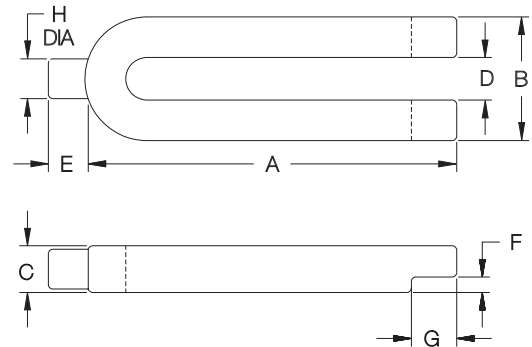
7 FORGED STEEL, 70,000 PSI YIELD STRENGTH, BLACK OXIDE FINISH



Open U end allows totally removing clamp strap when unclamped. Clamp tips are stepped to provide repeatable location.



Cylindrical pin end minimizes contact area and is useful for clamping in horizontal holes.



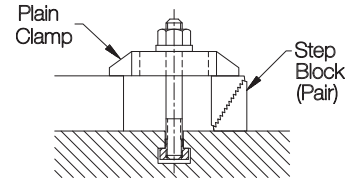
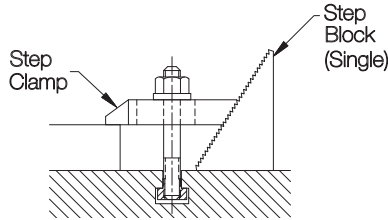
PART NO.	BOLT SIZE	A	B	C	D	E	F	G	H
CL-6-FUC	5/8-11 or M16	5-7/16	2-1/4	7/8	11/16	3/4	5/16	3/4	3/4
CL-8-FUC	3/4-10 or M20	7-3/8	2-5/8	1-1/8	13/16	27/32	3/8	1-1/32	13/16
CL-12-FUC	1"-8 or M24	10-15/16	3-3/16	1-3/8	1-1/16	1-3/32	1/2	1-3/16	1-1/32

STEP BLOCKS & CLAMPS

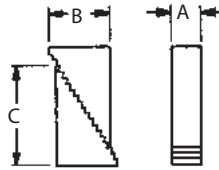
1018 STEEL, CARBURIZED-HARDENED, BLACK OXIDE FINISH



Step Blocks (pair)



Serrated block that can be used individually or in pairs, as a clamp rest. (One part number consists of a pair of blocks). Use a single block with Step Clamps, or a pair of blocks with Plain Clamps. All blocks and clamps are made from top-grade steel.

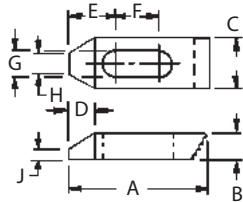


STEP BLOCKS (PAIR)

PART NO.	A	B	C	HEIGHT RANGE
CL-10-BS	1	.681	1.104	3/4 to 1-1/2
CL-20-BS		1.068	1.747	1-1/8 to 2-1/2
CL-30-BS		2.355	3.980	2-1/2 to 6
CL-40-BS	1-1/2	1.454	2.390	1-3/4 to 3-3/4
CL-50-BS		2.355	3.890	2-1/2 to 6
CL-60-BS		3.385	5.604	3-1/2 to 9
CL-80-BS	2	2.355	3.890	2-1/2 to 6
CL-90-BS		3.385	5.604	3-1/2 to 9



Step Clamp

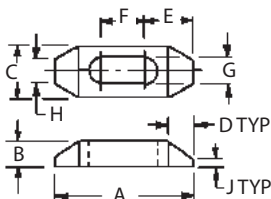


STEP CLAMPS

PART NO.	STUD SIZE	A	B	C	D	E	F	G	H	J
CL-32-STC	3/8 or M10	2-1/2	1/2	1	7/16	7/8	13/16	7/16	7/16	1/4
CL-34-STC		4	5/8		11/16	1-3/16	1-5/16		1/4	
CL-36-STC		6	3/4	1-1/8	3/4	1-1/8	2-3/16	3/8	5/16	
CL-42-STC	1/2 or M12	2-1/2	1/2	1-1/8	7/16	29/32	11/16	9/16	9/16	3/16
CL-44-STC		4	3/4	1-1/4	11/16	1-7/32	1-3/16		1/2	1/4
CL-46-STC		6	7/8	3/4	1-5/32	2-1/8	7/16	5/16		
CL-52-STC	5/8 or M16	2-1/2	5/8	1-1/4	3/8	15/16	9/16	11/16	3/4	3/8
CL-54-STC		4	3/4	1-1/2	11/16	1-1/4	1-1/16		11/16	
CL-56-STC		6	7/8	3/4	1-9/32	1-15/16	9/16	7/16		
CL-64-STC	3/4 or M20	4	3/4	1-1/2	3/4	1-5/16	15/16	13/16	5/8	5/16
CL-66-STC		6	1	1-1/4	1-7/8	1-1/2	1/2			
CL-68-STC		8	1-3/4	3/4	1-7/8	2-3/16	3/4	5/8		



Plain Clamp

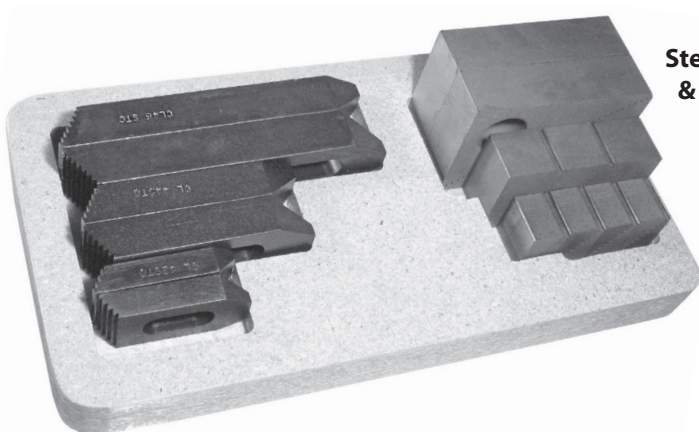


PLAIN CLAMPS

PART NO.	STUD SIZE	A	B	C	D	E	F	G	H	J
CL-32-PC	3/8 or M10	2-1/2	1/2	1	7/16	27/32	13/16	7/16	7/16	1/4
CL-34-PC		4	5/8		11/16	1-1/32	1-7/16		1/4	
CL-36-PC		6	3/4	1-1/8	3/4	1-5/32	2-3/16	3/8	5/16	
CL-42-PC	1/2 or M12	2-1/2	1/2	1-1/8	7/16	29/32	11/16	9/16	9/16	3/16
CL-44-PC		4	3/4	1-1/4	11/16	1-5/32	1-5/16		1/2	1/4
CL-46-PC		6	7/8	3/4	1-9/32	2-1/16	7/16	5/16		
CL-52-PC	5/8 or M16	2-1/2	5/8	1-1/4	3/8	31/32	9/16	11/16	3/4	3/8
CL-54-PC		4	3/4	1-1/4	11/16	1-9/32	1-3/16		11/16	
CL-56-PC		6	7/8	1-1/2	3/4	1-13/32	1-15/16	9/16	7/16	
CL-64-PC	3/4 or M20	4	3/4	1-1/2	3/4	1-11/32	1-1/16	13/16	5/8	5/16
CL-66-PC		6	1	1-1/4	1-15/32	1-15/16	1/2			
CL-68-PC		8	1-1/8	1-3/4	3/4	1-29/32	2-3/16	3/4	5/8	

STEP BLOCKS & CLAMPS

11L17 STEEL, CARBURIZED-HARDENED, BLACK OXIDE FINISH



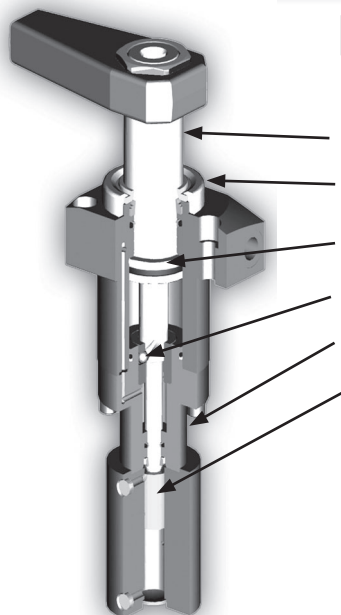
**Step Block
& Clamp
Set**

An assortment of Step Clamps and Step Blocks in a handy wooden holder. Available for stud sizes from 3/8-16 to 3/4-10 (M10 to M20 metric studs).

STEP BLOCK & CLAMP SETS

PART NO.	STUD SIZE	STEP CLAMPS (2) EACH		STEP BLOCK PAIRS (2) EACH	HOLDER
CL-10-SBC	3/8-16 or M10	CL-32-STC, CL-34-STC, CL-36-STC	STANDARD	CL-10-BS, CL-20-BS, CL-30-BS	CL-1-BSH
CL-20-SBC	1/2-13 or M12	CL-42-STC, CL-44-STC, CL-46-STC	STANDARD	CL-10-BS, CL-20-BS, CL-30-BS	CL-1-BSH
CL-40-SBC			HIGH-RISE	CL-40-BS, CL-50-BS, CL-60-BS	CL-2-BSH
CL-30-SBC	5/8-11 or M16	CL-52-STC, CL-54-STC, CL-56-STC	STANDARD	CL-10-BS, CL-20-BS, CL-30-BS	CL-1-BSH
CL-50-SBC			HIGH-RISE	CL-40-BS, CL-50-BS, CL-60-BS	CL-2-BSH
CL-60-SBC	3/4-10 or M20	CL-64-STC, CL-66-STC, CL-68-STC	HIGH-RISE	CL-40-BS, CL-50-BS, CL-60-BS	CL-3-BSH

Why Carr Lane Roemheld Swing Clamps?



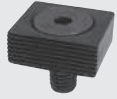
Designed for 1,000,000 cycles

2,000,000+ cycles tested at full load

- Rod diameter 30% larger to eliminate part deflection
- Viton wiper is standard (metal wiper optional)
- Exclusive safety clutch design available to prevent damage to part, fixture, or operator
- Reinforced swivel mechanism with 2 or 3 helix paths depending on size for longer life
- Up to 7500 psi maximum pressure for more compact clamp design
- Position monitoring available, either inductive or pneumatic via movable sensing bolt
- Over 1000 different standard sizes and styles available with clamping forces from 130 lb. to 8265 lb. stroke up to 2"
- Special stroke and clamping forces available upon request.

See Page 628-638

TYPES



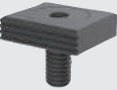
TINY VISE® EDGE CLAMPS

Mini edge clamps grip the side of a workpiece to keep the top clear for machining. Only Tiny Vise® Edge Clamps truly exert down thrust force on the workpiece, to prevent it from lifting. A thrust washer underneath the clamp engages a mating offset countersink to provide downward action.



TINY VISE® M-SERIES EDGE CLAMPS

Our Tiny Vise® M-Series incorporates a modular jaw design for greater adjustability. This modular system allows adjusting your workpiece engagement point by adding or removing spacers. This is useful when using the same fixture for machining a family of parts, or when workpiece size can vary somewhat between batches.



TINY VISE® LOW-PROFILE EDGE CLAMPS

Low-profile Tiny Vise® clamps are ideal for thin workpieces, and whenever downthrust action is not required. These mini edge clamps securely grip the side of a workpiece to keep the top clear for machining. Patented design. Made in USA.



TINY VISE® DOUBLE EDGE CLAMPS

Double edge clamps allow clamping two workpieces at the same time with equal force. These mini edge clamps grip the side of a workpiece to keep the top clear for machining. Patented design provides strong, reliable clamping force with the easy turn of a hex wrench.



TINY VISE® V-JAW & DOUBLE V-JAW EDGE CLAMPS

The V-Jaw and Double V-Jaw versions of our popular Tiny Vise is ideal for clamping round workpieces. The 90° V-Jaw can also be used to clamp to a rectangular workpiece from two directions with a single clamp at its corner. Double V-Jaws allow clamping two workpieces at the same time with equal force.



SERRATED EDGE CLAMPS

This low-profile clamp is ideal for gripping the side of a workpiece to keep the top clear for machining. Clamps both forward and down simultaneously, by tightening the socket-head screw in the sliding nose with a hex wrench. V-groove in nose is excellent for clamping round parts of corners.



CAM EDGE CLAMPS

Pivoting-nose edge clamp operated by a cam handle for fast action. Smooth spiral cam locks positively anywhere within its 180 throw. Choice of two sizes. Available with either a standard base for fixed-position mounting, or a slotted base for adjustable mounting.



PIVOTING EDGE CLAMPS

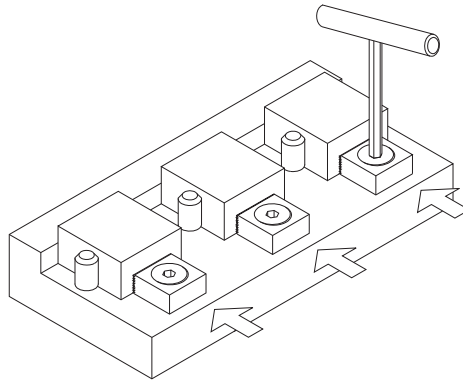
These edge clamps are well suited for holding large castings and other tall workpieces. The pivoting jaw is actuated by a large thrust screw, exerting clamping force forward and downward at the same time. The slotted base provides adjustability.

TINY VISE® EDGE CLAMPS

BODY: 1018 STEEL, CARBURIZED-HARDENED, BLACK OXIDE FINISH
 THRUST WASHER: 1144 STEEL, HEAT TREATED, BLACK OXIDE FINISH
 FLAT-HEAD SOCKET SCREW: STEEL, BLACK OXIDE FINISH



Flat Jaw
 (Reversible, Serrated or Smooth)



Clamping force is applied by positive screw action with the easy turn of a hex wrench.

Perfect for high-density machining! These mini edge clamps grip the side of a workpiece to keep the top clear for machining. Patented design features a slotted countersink to provide strong, reliable clamping force with the easy turn of a hex wrench. These compact clamps are ideal for fixturing multiple parts, small or large. Each clamp has both a serrated face (for maximum gripping) and a smooth face (to avoid marring finished parts). These clamps look so simple, but work amazingly well, with major advantages over earlier designs. **Patent no. 5,624,106.** Made in USA.

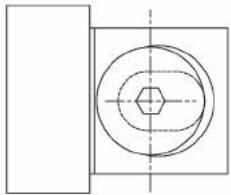
Clamping force is applied by positive screw action with the easy turn of a hex wrench (not with an unreliable, unsafe eccentric cam as used in other designs). A high-strength Flat-Head Socket Screw engages a mating offset countersink to exert strong clamping force. Much more durable than other designs.

Only Tiny Vise® Edge Clamps truly exert down thrust force on the workpiece, to prevent it from lifting. A thrust washer underneath the clamp engages a mating offset countersink to provide downward action.

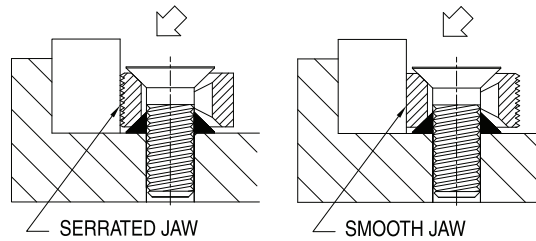
Available in a wide range of sizes, from a miniature #8-32 thread size, up to a powerful 1"-8 thread size with 2500 lbs clamping force.

Tiny Vise® clamps are designed to provide strong clamping force when tightened by hand. Do not exceed the recommended tightening torque.

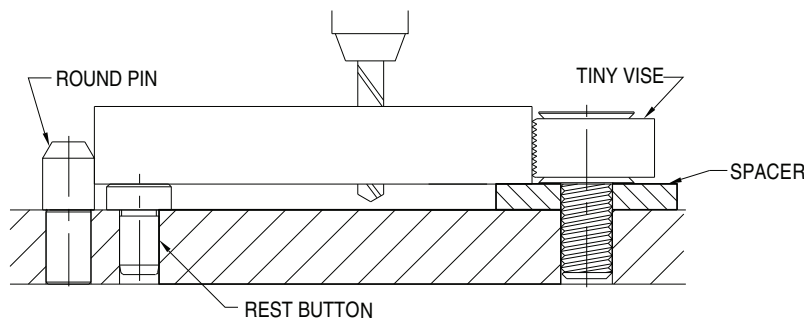
7



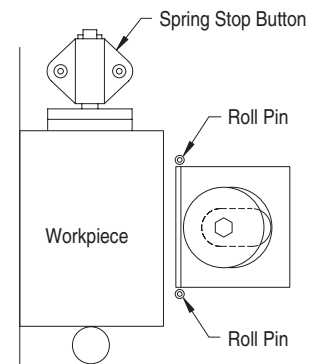
Patented design features a slotted countersink.



The serrated face provides maximum gripping, while the smooth face (turn 180°) helps avoid marring finished parts.

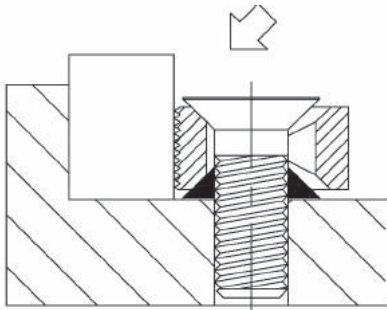


For a small amount of cutting-tool clearance, Tiny Vise® Edge Clamps can be mounted with a spacer underneath, using a longer screw. For greater clearance, clamps should be mounted into a tapped riser block fastened to the plate, to reduce bending stress on the screw.



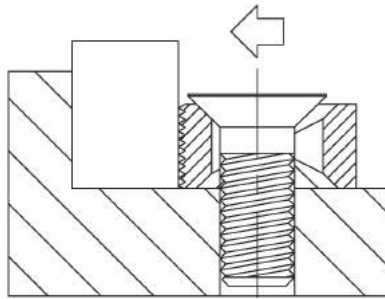
Roll pins can be installed to keep the Tiny Vise® perfectly aligned for workpiece loading (especially helpful on horizontal machining centers).

TINY VISE® EDGE CLAMPS



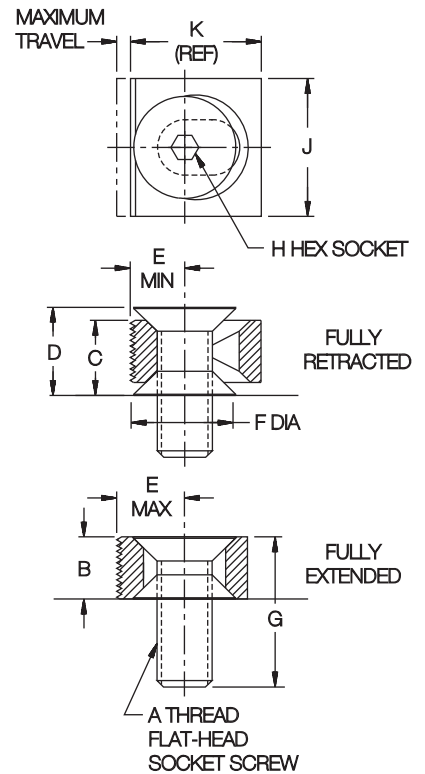
Setup for Downthrust Force
(with Bottom Thrust Washer)

All clamps are supplied with an optional Bottom Thrust Washer (shown in black). Installing this washer under the clamp will raise the clamp slightly and provide downthrust force during clamping.



Setup for Horizontal Force
(without Bottom Thrust Washer)

If no downthrust force is required, install the clamp without the Bottom Thrust Washer. Doing so will improve clamping speed because fewer screw turns are required.



FLAT JAW (INCH) SETUP FOR DOWNTHRUST FORCE

PART NO.	A	B	C	D	E			F DIA	G	H	J	K	MAX TRAVEL	RECOMMENDED TORQUE (FT-LBS)*	APPROX. HORIZONTAL CLAMPING FORCE AT RECOMMENDED TORQUE (LBS)*
					MIN	MID RANGE	MAX								
CL-2-TV	#8-32	.250	.319	.382	.175	.205	.235	.335	5/8	3/32	9/16	.470	.060	.20	60
CL-3-TV	#10-32	.312	.390	.459	.208	.242	.274	.390	3/4	1/8	5/8	.550	.066	.25	75
CL-4-TV	1/4-20	.375	.467	.552	.280	.320	.360	.510	7/8	5/32	7/8	.720	.080	.50	130
CL-5-TV	5/16-18	.438	.550	.652	.338	.386	.434	.640	1	3/16	1	.870	.096	1.2	240
CL-6-TV	3/8-16	.500	.627	.746	.390	.445	.500	.742	1-1/8	7/32	1-1/8	1.000	.110	2.3	370
CL-8-TV	1/2-13	.562	.702	.833	.474	.534	.594	.897	1-3/8	5/16	1-1/4	1.187	.120	6.6	800
CL-10-TV	5/8-11	.750	.901	1.039	.620	.685	.750	1.148	1-5/8	3/8	1-5/8	1.500	.130	12	1,200
CL-12-TV	3/4-10	.875	1.059	1.234	.740	.820	.900	1.394	2	1/2	2	1.800	.160	23	1,800
CL-16-TV	1"-8	1.125	1.355	1.573	.988	1.088	1.188	1.890	2-1/2	5/8	2-1/2	2.375	.200	42	2,500

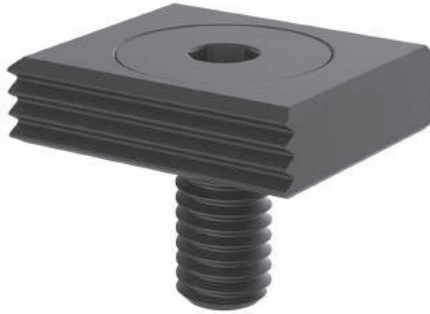
FLAT JAW (INCH) SETUP FOR HORIZONTAL FORCE

CL-2-TV	#8-32	.250	.250	.313	.175	.205	.235	.335	5/8	3/32	9/16	.470	.060	.40	60
CL-3-TV	#10-32	.312	.312	.381	.208	.242	.274	.390	3/4	1/8	5/8	.550	.066	.50	75
CL-4-TV	1/4-20	.375	.375	.460	.280	.320	.360	.510	7/8	5/32	7/8	.720	.080	1.0	130
CL-5-TV	5/16-18	.438	.438	.540	.338	.386	.434	.640	1	3/16	1	.870	.096	2.4	240
CL-6-TV	3/8-16	.500	.500	.619	.390	.445	.500	.742	1-1/8	7/32	1-1/8	1.000	.110	4.6	370
CL-8-TV	1/2-13	.562	.652	.693	.474	.534	.594	.897	1-3/8	5/16	1-1/4	1.187	.120	13	800
CL-10-TV	5/8-11	.750	.750	.888	.620	.685	.750	1.148	1-5/8	3/8	1-5/8	1.500	.130	24	1,200
CL-12-TV	3/4-10	.875	.875	1.050	.740	.820	.900	1.394	2	1/2	2	1.800	.160	46	1,800
CL-16-TV	1"-8	1.125	1.125	1.343	.988	1.088	1.188	1.890	2-1/2	5/8	2-1/2	2.375	.200	84	2,500

*Recommended torque and clamping force are at 1/3 of yield strength, leaving 2/3 of holding capacity to resist external cutting forces, etc.

TINY VISE® EDGE CLAMPS

BODY: 1018 STEEL, CARBURIZED-HARDENED, BLACK OXIDE FINISH
 THRUST WASHER: 1144 STEEL, HEAT TREATED, BLACK OXIDE FINISH
 FLAT-HEAD SOCKET SCREW: STEEL, BLACK OXIDE FINISH



Low Profile

(Reversible — Serrated or Smooth Jaw)



Compare the amazing low-profile Tiny Vise® clamp (right) with our standard Tiny Vise® clamp (left).

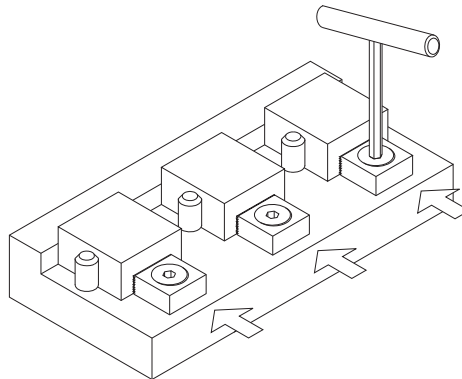
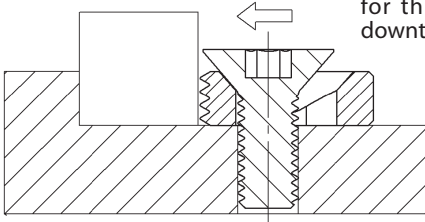
Low-Profile Version!

Low-profile Tiny Vise® clamps are ideal for thin workpieces, and whenever downthrust action is not required. These mini edge clamps securely grip the side of a workpiece to keep the top clear for machining. Patented design features a slotted countersink to provide strong, reliable clamping force with the easy turn of a hex wrench. These compact clamps are ideal for fixturing multiple parts, small or large. Each clamp has both a serrated face (for maximum gripping) and a smooth face (to avoid marring finished parts). These clamps look so simple, but work amazingly well, with major advantages over earlier designs. **Patent no. 5,624,106.** Made in USA.

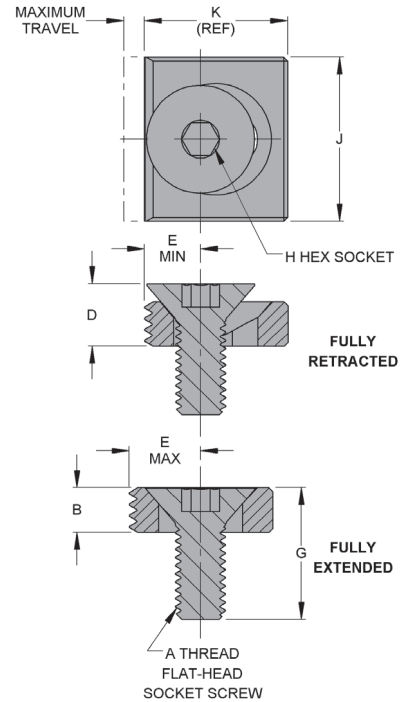
Clamping force is applied by positive screw action with the easy turn of a hex wrench (not with an unreliable, unsafe eccentric cam as used in other designs). A high-strength Flat-Head Socket Screw engages a mating slotted countersink to exert strong clamping force. Much more durable than other designs.

Available in a wide range of sizes, from a miniature #8-32 thread size, up to a powerful 1"-8 thread size with 2500 lbs clamping force. Tiny Vise® clamps are designed to provide strong clamping force when tightened by hand. Do not exceed the recommended tightening torque.

These low-profile clamps are ideal for thin workpieces, and whenever downthrust action is not required.



Clamping force is applied by positive screw action with the easy turn of a hex wrench.



Patented design features a slotted countersink.

LOW PROFILE (INCH)

PART NO.	A	B	D	E			G	H	J	K	MAX TRAVEL	RECOMMENDED TORQUE (FT-LBS)*	APPROX. HORIZONTAL CLAMPING FORCE AT RECOMMENDED TORQUE (LBS)*
				MIN	MID RANGE	MAX							
CL-2-TVLP	#8-32	.150	.213	.175	.205	.235	1/2	3/32	9/16	.470	.060	.40	60
CL-3-TVLP	#10-32	.200	.269	.208	.242	.274	5/8	1/8	5/8	.550	.066	.50	75
CL-4-TVLP	1/4-20	.225	.310	.280	.320	.360	3/4	5/32	7/8	.720	.080	1.0	130
CL-5-TVLP	5/16-18	.250	.352	.338	.386	.434	7/8	3/16	1	.870	.096	2.4	240
CL-6-TVLP	3/8-16	.300	.419	.390	.445	.500	1	7/32	1-1/8	1.000	.110	4.6	370
CL-8-TVLP	1/2-13	.325	.456	.474	.534	.594	1-1/4	5/16	1-1/4	1.187	.120	13	800
CL-10-TVLP	5/8-11	.425	.563	.620	.685	.750	1-1/2	3/8	1-5/8	1.500	.130	24	1,200
CL-12-TVLP	3/4-10	.500	.675	.740	.820	.900	1-3/4	1/2	2	1.800	.160	46	1,800
CL-16-TVLP	1"-8	.750	.968	.988	1.088	1.188	2	5/8	2-1/2	2.375	.200	84	2,500

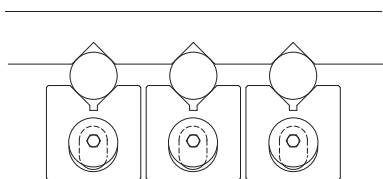
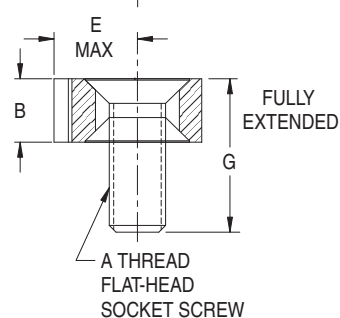
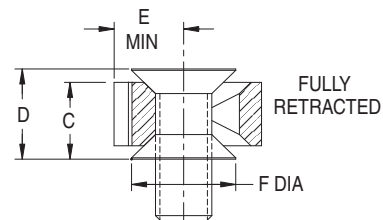
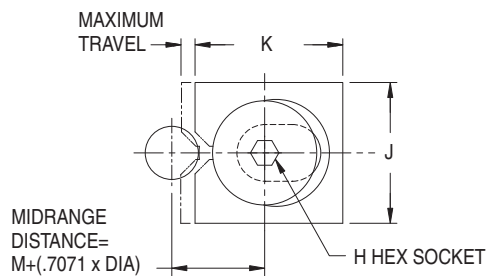
*Recommended torque and clamping force are at 1/3 of yield strength, leaving 2/3 of holding capacity to resist external cutting forces, etc.

TINY VISE® EDGE CLAMPS

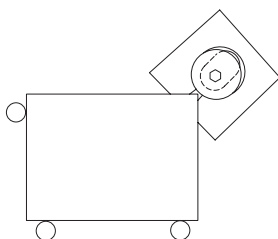


V-Jaw

The V-Jaw version of our popular Tiny Vise® is ideal for clamping round workpieces. The 90° V-Jaw can also be used to clamp a rectangular workpiece from two directions with a single clamp at its corner.



Multiple workpieces can be clamped extremely close together.



A rectangular workpiece can be clamped from two directions with a single clamp.

V-JAW (INCH) SETUP FOR DOWNTHRUST FORCE

PART NO.	A	B	C	D	E			F DIA	G	H	J	K	M	MAXIMUM WORKPIECE DIAMETER	MAXIMUM TRAVEL	RECOMMENDED TORQUE (FT-LBS)*	APPROX. HORIZONTAL CLAMPING FORCE AT RECOMMENDED TORQUE (LBS)*
					MIN	MID RANGE	MAX										
CL-2-TVR	#8-32	.250	.319	.382	.292	.322	.352	.335	5/8	3/32	.625	.620	.212	3/8	.060	.20	60
CL-3-TVR	#10-32	.312	.390	.459	.375	.407	.940	.390	3/4	1/8	.750	.750	.253	1/2	.066	.25	75
CL-4-TVR	1/4-20	.375	.467	.552	.453	.493	.533	.510	7/8	5/32	.875	.900	.315	19/32	.080	.50	130
CL-5-TVR	5/16-18	.438	.550	.652	.562	.611	.660	.640	1	3/16	1.000	1.100	.410	11/16	.096	1.2	240
CL-6-TVR	3/8-16	.500	.627	.746	.687	.742	.797	.742	1-1/8	7/32	1.250	1.300	.454	15/16	.110	2.3	370
CL-8-TVR	1/2-13	.562	.702	.833	.812	.872	.932	.897	1-3/8	5/16	1.500	1.530	.557	1-1/32	.120	6.6	800
CL-10-TVR	5/8-11	.750	.901	1.039	1.124	1.157	1.254	1.148	1-5/8	3/8	2.000	2.100	.692	1-9/16	.130	12	1,200
CL-12-TVR	3/4-10	.875	1.059	1.234	1.344	1.424	1.504	1.394	2	1/2	2.500	2.500	.848	1-13/16	.160	23	1,800
CL-16-TVR	1"-8	1.125	1.355	1.573	1.687	1.782	1.887	1.890	2-1/2	5/8	3.000	3.200	1.137	2-1/16	.200	42	2,500

V-JAW (INCH) SETUP FOR HORIZONTAL FORCE

PART NO.	A	B	C	D	E MIN	E MID RANGE	E MAX	F DIA	G	H	J	K	M	MAXIMUM WORKPIECE DIAMETER	MAXIMUM TRAVEL	RECOMMENDED TORQUE (FT-LBS)*	APPROX. HORIZONTAL CLAMPING FORCE AT RECOMMENDED TORQUE (LBS)*
CL-2-TVR	#8-32	.250	.319	.382	.292	.322	.352	.335	5/8	3/32	.625	.620	.212	3/8	.060	.40	60
CL-3-TVR	#10-32	.312	.390	.459	.375	.407	.940	.390	3/4	1/8	.750	.750	.253	1/2	.066	.50	75
CL-4-TVR	1/4-20	.375	.467	.552	.453	.493	.533	.510	7/8	5/32	.875	.900	.315	19/32	.080	1.0	130
CL-5-TVR	5/16-18	.438	.550	.652	.562	.611	.660	.640	1	3/16	1.000	1.100	.410	11/16	.096	2.4	240
CL-6-TVR	3/8-16	.500	.627	.746	.687	.742	.797	.742	1-1/8	7/32	1.250	1.300	.454	15/16	.110	4.6	370
CL-8-TVR	1/2-13	.562	.702	.833	.812	.872	.932	.897	1-3/8	5/16	1.500	1.530	.557	1-1/32	.120	13	800
CL-10-TVR	5/8-11	.750	.901	1.039	1.124	1.157	1.254	1.148	1-5/8	3/8	2.000	2.100	.692	1-9/16	.130	24	1,200
CL-12-TVR	3/4-10	.875	1.059	1.234	1.344	1.424	1.504	1.394	2	1/2	2.500	2.500	.848	1-13/16	.160	46	1,800
CL-16-TVR	1"-8	1.125	1.355	1.573	1.687	1.782	1.887	1.890	2-1/2	5/8	3.000	3.200	1.137	2-1/16	.200	84	2,500

*Recommended torque and clamping force are at 1/3 of yield strength, leaving 2/3 of holding capacity to resist external cutting forces, etc.

TINY VISE® EDGE CLAMPS

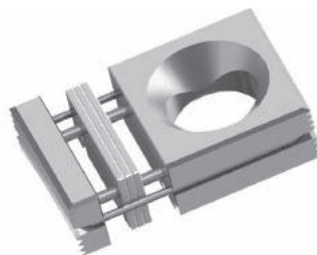
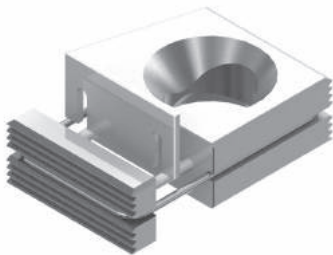
BODY: 1018 STEEL, CARBURIZED-HARDENED, BLACK OXIDE FINISH
 JAW: 1018 STEEL, CARBURIZED-HARDENED, BLACK OXIDE FINISH (OR DELRIN)
 THRUST WASHER: 1144 STEEL, HEAT TREATED, BLACK OXIDE FINISH
 FLAT-HEAD SOCKET SCREW: STEEL, BLACK OXIDE FINISH



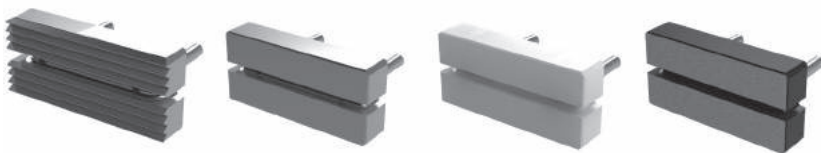
Modular Jaw



Modular jaw design allows adjustment for workpiece-size variations.

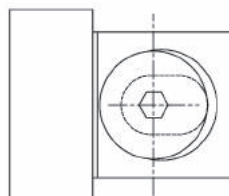


These M-series clamps have a 1/4"-thick modular jaw that can be easily extended to insert or remove spacers. Up to three 1/16" spacers can be inserted to provide adjustment.



Serrated **Smooth** **Smooth (Delrin®)** **Carbide Abrasive**

Choice of four modular jaw faces: 1) Serrated hardened steel, for maximum gripping bite; 2) Smooth hardened steel, to avoid marring on finished surfaces; 3) Smooth Delrin®, to further protect finished surfaces when less clamping force is required; 4) Carbide-abrasive-coated steel, for strong gripping with minimal surface penetration. Any of the four jaws can be mounted on the same body.



Patented design features a slotted countersink.

Available with a choice of jaw faces, including carbide abrasive!

Our Tiny Vise® M-series incorporates a modular jaw design for greater adjustability. This new modular system allows adjusting your workpiece engagement point by adding or removing spacers. This is useful when using the same fixture for machining a family of parts, or when workpiece size can vary somewhat between batches. Just like our original Tiny Vise®, these mini edge clamps grip the side of a workpiece to keep the top clear for machining. The patented design features a slotted countersink to provide strong, reliable clamping force with the easy turn of a hex wrench. These compact clamps are ideal for fixturing multiple parts, small or large. They look so simple, but work amazingly well! **Patent No. 10,179,393 B2.** Made in USA.

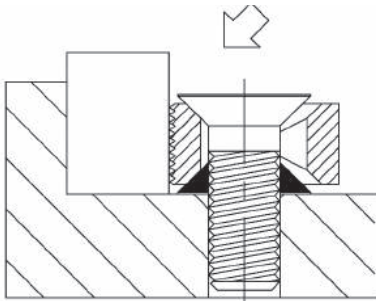
The M-series clamp body, without a jaw, is the same size as a standard Tiny Vise — with the same reversible jaw faces (one serrated and one smooth). The 1/4"-thick serrated modular jaw mounts into the smooth face, and each spacer adds another 1/16". Up to three spacers can be inserted to provide adjustment. The modular jaw assembly is held together securely by a tough, durable O-ring, recessed in a protective groove. The modular jaw can be easily extended to insert or remove the slotted spacers.

Clamping force is applied by positive screw action with the easy turn of a hex wrench (not with an unreliable, unsafe eccentric cam as used in other designs). A high-strength Flat-Head Socket Screw engages a mating offset countersink to exert strong clamping force. Much more durable than other designs.

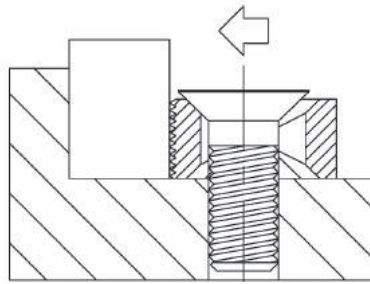
Clamps can be set up to apply force either at a downward angle or straight horizontally. All clamps are supplied with an optional bottom thrust washer. Installing this washer under the clamp will raise the clamp slightly and provide downthrust force during clamping. If no downthrust force is required, install the clamp without the bottom thrust washer. Doing so will improve clamping speed because fewer screw turns are required.

Available in two sizes, 5/16-18 thread size (240 lbs clamping force) and 1/2-13 thread size (800 lbs clamping force). Tiny Vise clamps are designed to provide strong clamping force when tightened by hand. Do not exceed the recommended tightening torque.

TINY VISE® EDGE CLAMPS



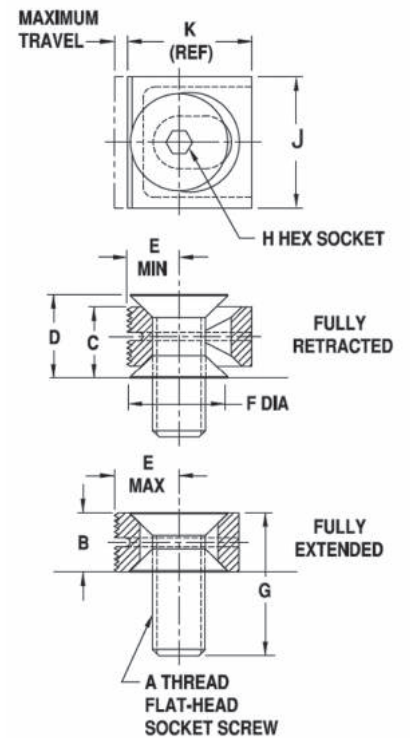
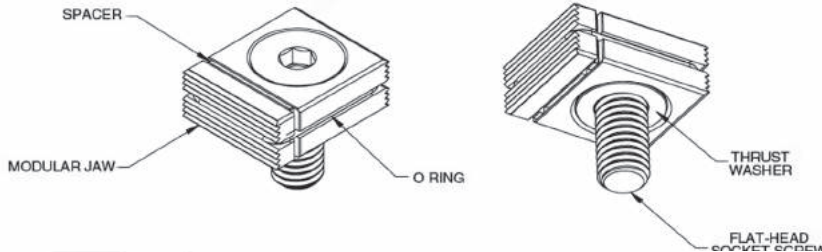
Setup for Downthrust Force
(with Bottom Thrust Washer)



Setup for Horizontal Force
(without Bottom Thrust Washer)

All clamps are supplied with an optional Bottom Thrust Washer (shown in black). Installing this washer under the clamp will raise the clamp slightly and provide downthrust force during clamping.

If no downthrust force is required, install the clamp without the Bottom Thrust Washer. Doing so will improve clamping speed because fewer screw turns are required.



MODULAR JAW (INCH) SETUP FOR DOWNTHRUST FORCE

PART NO.	JAW TYPE	A	B	C	D	E			F DIA	G	H	J	K	MAX TRAVEL	RECOMMENDED TORQUE (FT-LBS)*	APPROX. HORIZONTAL CLAMPING FORCE AT RECOMMENDED TORQUE (LBS)*
						MIN	MID RANGE	MAX								
CL-5-TVM	Serrated	5/16-18	.438	.550	.652	.338	.386	.434	.640	1	3/16	1	.870	.096	1.2	240
CL-5-TVMS	Smooth															
CL-5-TVMN	Smooth (Delrin®)															
CL-5-TVMC	Carbide Abrasive															
CL-8-TVM	Serrated	1/2-13	.562	.702	.833	.474	.534	.594	.897	1-3/8	5/16	1-1/4	1.187	.120	6.6	800
CL-8-TVMS	Smooth															
CL-8-TVMN	Smooth (Delrin®)															
CL-8-TVMC	Carbide Abrasive															

MODULAR JAW (INCH) SETUP FOR HORIZONTAL FORCE

CL-5-TVM	Serrated	5/16-18	.438	.438	.540	.338	.386	.434	.640	1	3/16	1	.870	.096	2.4	240
CL-5-TVMS	Smooth															
CL-5-TVMN	Smooth (Delrin®)															
CL-5-TVMC	Carbide Abrasive															
CL-8-TVM	Serrated	1/2-13	.562	.652	.693	.474	.534	.594	.897	1-3/8	5/16	1-1/4	1.187	.120	13	800
CL-8-TVMS	Smooth															
CL-8-TVMN	Smooth (Delrin®)															
CL-8-TVMC	Carbide Abrasive															

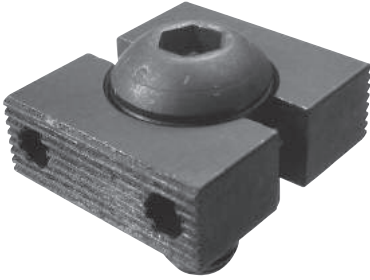
*Recommended torque and clamping force are at 1/3 of yield strength, leaving 2/3 of holding capacity to resist external cutting forces, etc.

SPARE PARTS

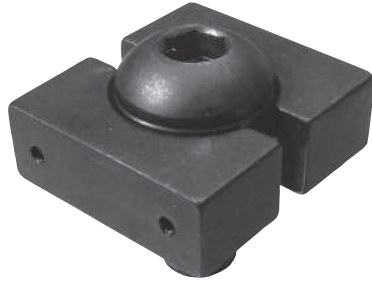
COMPLETE CLAMP PART NO.	MODULAR JAW				SPACER	O RING	THRUST WASHER	FLAT-HEAD SOCKET SCREW
	SERRATED	SMOOTH	SMOOTH (DELIN®)	CARBIDE ABRASIVE				
CL-5-TVM	5-TVM-JAW-ASSY	5-TVMS-JAW-ASSY	5-TVMN-JAW-ASSY	5-TVMC-JAW-ASSY	5-TVM-SPAC	5-TVM-ORING	CL-5-TV-WASH	CL-5/16-18X1.00-FHSS
CL-8-TVM	8-TVM-JAW-ASSY	8-TVMS-JAW-ASSY	8-TVMN-JAW-ASSY	8-TVMC-JAW-ASSY	8-TVM-SPAC	8-TVM-ORING	CL-8-TV-WASH	CL-1/2-13X1.38-FHSS

TINY VISE® DOUBLE EDGE CLAMPS

BODY: 1018 STEEL, CARBURIZED-HARDENED, BLACK OXIDE FINISH. SPRINGS: 302 STAINLESS STEEL
GUIDE PINS: 17 4-PH STAINLESS STEEL. THRUST WASHER: 1144 STEEL, HEAT TREATED, BLACK OXIDE FINISH
SOCKET-HEAD CAP SCREW: STEEL, BLACK OXIDE FINISH



Two Serrated Flat Jaws



Two Smooth Flat Jaws

Double edge clamps allow clamping two workpieces at the same time with equal force. These mini edge clamps grip the side of a workpiece to keep the top clear for machining. Patented design provides strong, reliable clamping force with the easy turn of a hex wrench. These compact clamps are ideal for fixturing multiple parts, small or large. Available with serrated jaws (for maximum gripping) or smooth jaws (to avoid marring finished parts). These clamps look so simple, but work amazingly well, with major advantages over earlier designs. **Patent no. 5,961,108.** Made in USA.

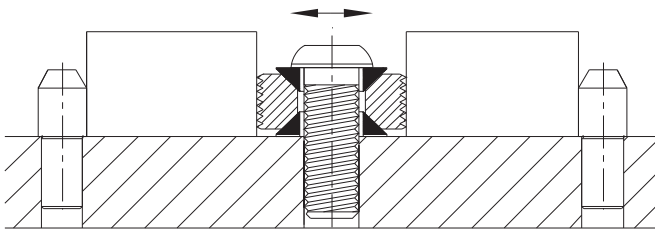
Clamping force is applied by positive screw action with the easy turn of a hex wrench (not with an unreliable, unsafe eccentric cam as used in other designs). A high-strength cap screw and Thrust Washer engage a mating offset countersink to exert strong clamping force. Much more durable than other designs.

Only Tiny Vise® Mini Edge Clamps truly exert downward thrust force on the workpiece, to prevent it from lifting. A Thrust Washer underneath the clamp engages a mating offset countersink to provide downward action.

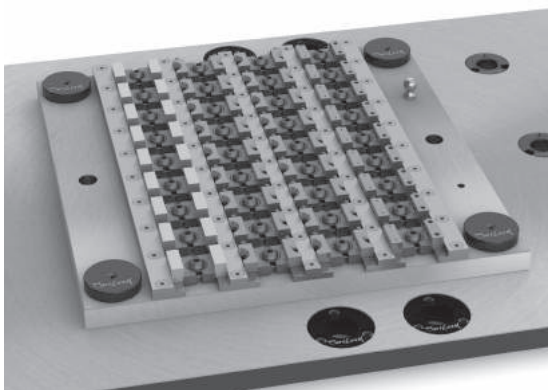
Only Tiny Vise® Double Edge Clamps compensate for size variation when clamping two workpieces. Thrust Washers have ID clearance to enable them to float horizontally, allowing both clamping jaws to contact their part simultaneously. This ensures that both parts are securely clamped with equal force.

Available in four sizes, from 5/16-18 up to a powerful 1"-8 thread size with 4500 lbs clamping force (M8 to M24 in metric).

Please note: Tiny Vise® clamps are designed to provide strong clamping force when tightened by hand. Do not exceed the recommended tightening torque. Double edge clamps should always be used to hold two workpieces, not just one; otherwise recommended torque and clamping force will be significantly reduced.

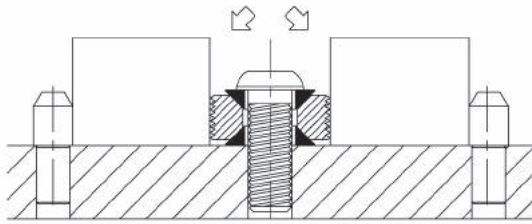


Thrust Washers have ID clearance to enable them to float horizontally, allowing both clamping jaws to contact their workpiece simultaneously even if parts are slightly different in size. This ensures that both parts are securely clamped with equal force.



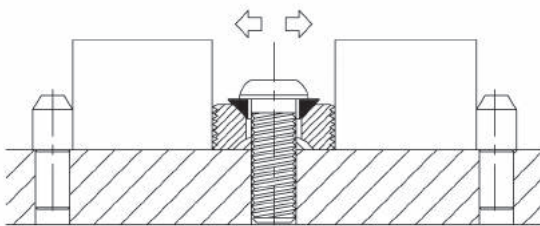
Tiny Vise® Edge Clamps are ideal for high-density machining. This quick-change Carr Lock® fixture holds 72 parts using 36 Double Edge Clamps.

TINY VISE® DOUBLE EDGE CLAMPS



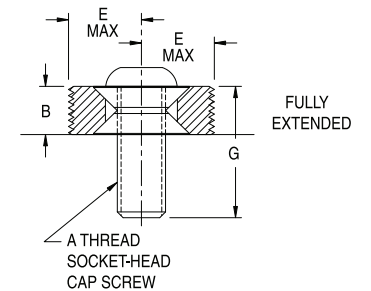
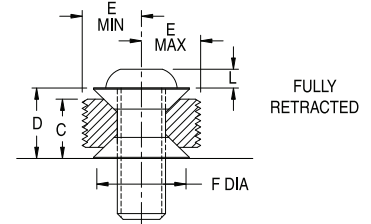
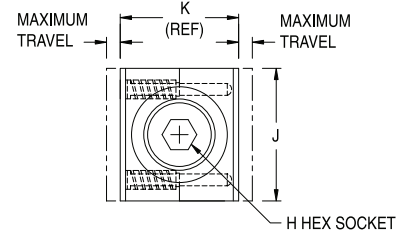
**Setup for
Downthrust Force**
(with Bottom Thrust Washer)

All clamps are supplied with two Thrust Washers (shown in black). The Bottom Thrust Washer is optional. Installing this washer will raise the clamp slightly and provide downthrust force during clamping.



**Setup for
Horizontal Force**
(without Bottom Thrust Washer)

If no downthrust force is required, install the clamp without the Bottom Thrust Washer. Doing so will improve clamping speed because fewer screw turns are required.



DOUBLE FLAT JAWS (INCH) — SETUP FOR DOWNTHRUST FORCE

PART NO. SERRATED JAWS	PART NO. SMOOTH JAWS	A	B	C	D	E			F DIA	G	H	J	K	L	ALLOWABLE WORKPIECE SIZE DIFFERENTIAL	MAXIMUM TRAVEL (WITH NO SIZE DIFFERENTIAL)	RECOMMENDED TORQUE (FT-LBS)*	APPROX. HORIZONTAL CLAMPING FORCE AT RECOMMENDED TORQUE (LBS)*
						MIN	MID RANGE	MAX										
CL-50-TV	CL-55-TV	5/16-18	.375	.486	.597	.422	.470	.518	.625	1	3/16	1	.844	.16	.048	.096	4.5	450
CL-60-TV	CL-65-TV	3/8-16	.438	.570	.684	.520	.572	.625	.750	1-1/8	7/32	1-1/4	1.250	.19	.052	.105	8	650
CL-80-TV	CL-85-TV	1/2-13	.500	.635	.770	.641	.698	.755	.875	1-1/4	5/16	1-3/8	1.282	.26	.060	.114	19	1200
CL-100-TV	CL-105-TV	5/8-11	.625	.765	.905	.690	.750	.810	1.125	1-1/2	3/8	1-1/2	1.380	.32	.078	.120	38	1800
CL-160-TV	CL-165-TV	1"-8	1.000	1.159	1.318	1.109	1.178	1.247	1.875	2-1/4	3/4	2-1/2	2.218	1.00	.094	.138	150	4500

DOUBLE FLAT JAWS (INCH) — SETUP FOR HORIZONTAL FORCE

CL-50-TV	CL-55-TV	5/16-18	.375	.375	.486	.422	.470	.518	.625	1	3/16	1	.844	.16	.048	.096	9	450
CL-60-TV	CL-65-TV	3/8-16	.438	.438	.552	.520	.572	.625	.750	1-1/8	7/32	1-1/4	1.250	.19	.052	.105	16	650
CL-80-TV	CL-85-TV	1/2-13	.500	.500	.635	.641	.698	.755	.875	1-1/4	5/16	1-3/8	1.282	.26	.060	.114	38	1200
CL-100-TV	CL-105-TV	5/8-11	.625	.625	.765	.690	.750	.810	1.125	1-1/2	3/8	1-1/2	1.380	.32	.078	.120	76	1800
CL-160-TV	CL-165-TV	1"-8	1.000	1.000	1.159	1.109	1.178	1.247	1.875	2-1/4	3/4	2-1/2	2.218	1.00	.094	.138	300	4500

DOUBLE FLAT JAWS (METRIC) — SETUP FOR DOWNTHRUST FORCE

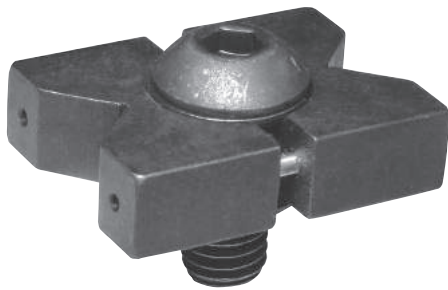
CLM-50-TV	CLM-55-TV	M8	.375	.486	.597	.422	.470	.518	.625	1	5mm	1	.844	.16	.048	.096	4.5	450
CLM-60-TV	CLM-65-TV	M10	.438	.570	.684	.520	.572	.625	.750	1-1/8	6mm	1-1/4	1.250	.19	.052	.105	10	750
CLM-80-TV	CLM-85-TV	M12	.500	.635	.770	.641	.698	.755	.875	1-1/4	8mm	1-3/8	1.282	.26	.060	.114	18	1100
CLM-100-TV	CLM-105-TV	M16	.625	.765	.905	.690	.750	.810	1.125	1-1/2	10mm	1-1/2	1.380	.32	.078	.120	42	2000
CLM-160-TV	CLM-160-TV	M24	1.000	1.000	1.318	1.109	1.178	1.247	1.875	2-1/4	19mm	2-1/2	2.218	1.00	.094	.138	130	4000

DOUBLE FLAT JAWS (METRIC) — SETUP FOR HORIZONTAL FORCE

CLM-50-TV	CLM-55-TV	M8	.375	.375	.486	.422	.470	.518	.625	1	5mm	1	.844	.16	.048	.096	9	450
CLM-60-TV	CLM-65-TV	M10	.438	.438	.570	.520	.572	.625	.750	1-1/8	6mm	1-1/4	1.250	.19	.052	.105	20	750
CLM-80-TV	CLM-85-TV	M12	.500	.500	.635	.641	.698	.755	.875	1-1/4	8mm	1-3/8	1.282	.26	.060	.114	35	1100
CLM-100-TV	CLM-105-TV	M16	.625	.625	.765	.690	.750	.810	1.125	1-1/2	10mm	1-1/2	1.380	.32	.078	.120	84	2000
CLM-160-TV	CLM-160-TV	M24	1.000	1.000	1.159	1.109	1.178	1.247	1.875	2-1/4	19mm	2-1/2	2.218	1.00	.094	.138	260	4000

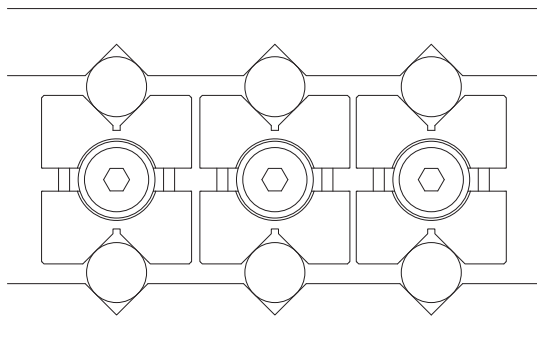
*Recommended torque and clamping force are at 1/3 of yield strength, leaving 2/3 of holding capacity to resist external cutting forces, etc.

TINY VISE® DOUBLE EDGE CLAMPS

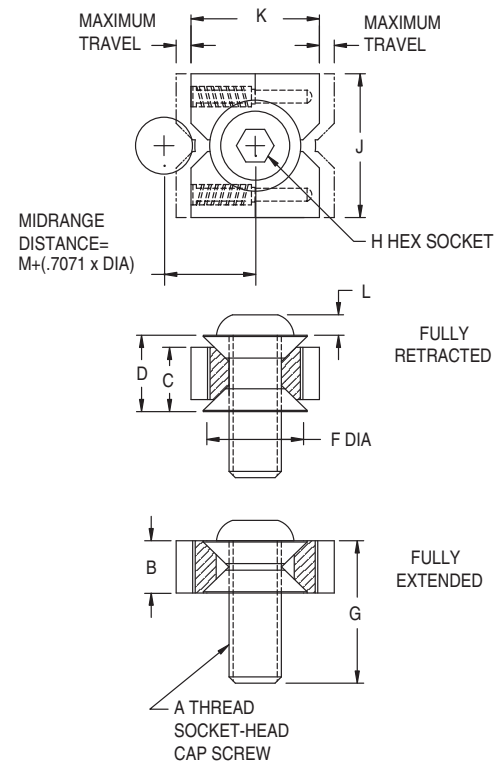


Two V-Jaws

The V-Jaw version of our popular Tiny Vise® is ideal for clamping round workpieces. The 90° V-Jaw can also be used to clamp a rectangular workpiece from two directions with a single clamp at its corner. Double edge clamps allow clamping two workpieces at the same time with equal force.



Multiple workpieces can be clamped extremely close together.



7

DOUBLE V-JAWS (INCH) — SETUP FOR DOWNTHRUST FORCE

PART NO.	A	B	C	D	F DIA	G	H	J	K	L	M	MAXIMUM WORKPIECE DIAMETER	ALLOWABLE WORKPIECE SIZE DIFFERENTIAL	MAX. TRAVEL (WITH NO SIZE DIFFERENTIAL)	RECOM-MENDED TORQUE (FT-LBS)*	APPROX. HORIZONTAL CLAMPING FORCE AT RECOMMENDED TORQUE (LBS)*
CL-50-TVR	5/16-18	.375	.486	.597	.625	1	3/16	1-1/4	1.308	.16	.421	3/4	.048	.096	4.5	450
CL-60-TVR	3/8-16	.438	.570	.684	.750	1-1/8	7/32	1-3/8	1.478	.19	.482	27/32	.052	.105	8	650
CL-80-TVR	1/2-13	.500	.635	.770	.875	1-1/4	5/16	1-1/2	1.706	.26	.569	15/16	.060	.114	19	1200
CL-100-TVR	5/8-11	.625	.765	.905	1.125	1-1/2	3/8	1-3/4	2.104	.32	.706	1-1/8	.078	.120	38	1800
CL-160-TVR	1"-8	1.000	1.159	1.318	1.875	2-1/4	3/4	2-1/2	3.350	1.00	1.119	1-3/4	.094	.138	150	4500

DOUBLE V-JAWS (INCH) — SETUP FOR HORIZONTAL FORCE

CL-50-TVR	5/16-18	.375	.375	.486	.625	1	3/16	1-1/4	1.308	.16	.421	3/4	.048	.096	9	450
CL-60-TVR	3/8-16	.438	.438	.570	.750	1-1/8	7/32	1-3/8	1.478	.19	.482	27/32	.052	.105	16	650
CL-80-TVR	1/2-13	.500	.500	.635	.875	1-1/4	5/16	1-1/2	1.706	.26	.569	15/16	.060	.114	38	1200
CL-100-TVR	5/8-11	.625	.625	.765	1.125	1-1/2	3/8	1-3/4	2.104	.32	.706	1-1/8	.078	.120	76	1800
CL-160-TVR	1"-8	1.000	1.000	1.159	1.875	2-1/4	3/4	2-1/2	3.350	1.00	1.119	1-3/4	.094	.138	300	4500

DOUBLE V-JAWS (METRIC) — SETUP FOR DOWNTHRUST FORCE

CLM-50-TVR	M8	.375	.486	.597	.625	1	3/16	1-1/4	1.308	.16	.421	3/4	.048	.096	4.5	450
CLM-60-TVR	M10	.438	.570	.684	.750	1-1/8	7/32	1-3/8	1.478	.19	.482	27/32	.052	.105	10	750
CLM-80-TVR	M12	.500	.635	.770	.875	1-1/4	5/16	1-1/2	1.706	.26	.569	15/16	.060	.114	18	1100
CLM-100-TVR	M16	.625	.765	.905	1.125	1-1/2	3/8	1-3/4	2.104	.32	.706	1-1/8	.078	.120	42	2000
CLM-160-TVR	M24	1.000	1.159	1.318	1.875	2-1/4	3/4	2-1/2	3.350	1.00	1.119	1-3/4	.094	.138	130	4000

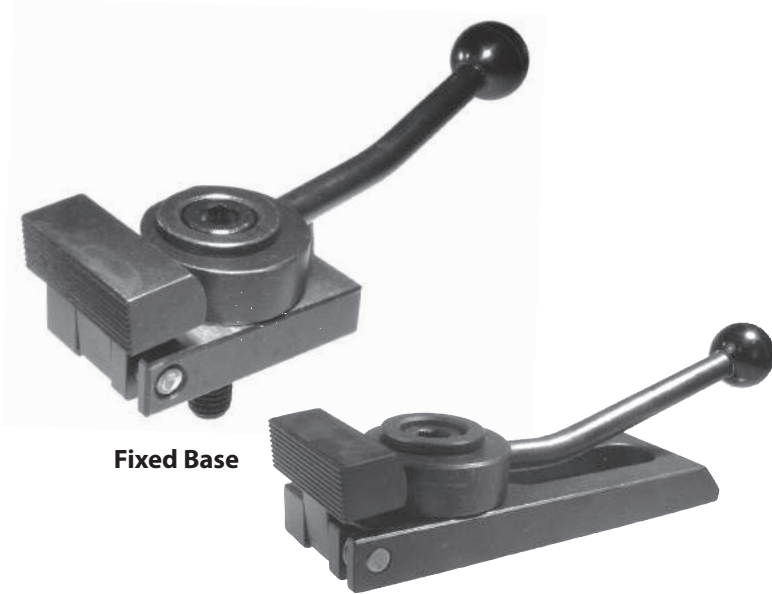
DOUBLE V-JAWS (METRIC) — SETUP FOR HORIZONTAL FORCE

CLM-50-TVR	M8	.375	.375	.486	.625	1	3/16	1-1/4	1.308	.16	.421	3/4	.048	.096	9	450
CLM-60-TVR	M10	.438	.438	.570	.750	1-1/8	7/32	1-3/8	1.478	.19	.482	27/32	.052	.105	20	750
CLM-80-TVR	M12	.500	.500	.635	.875	1-1/4	5/16	1-1/2	1.706	.26	.569	15/16	.060	.114	35	1100
CLM-100-TVR	M16	.625	.625	.765	1.125	1-1/2	3/8	1-3/4	2.104	.32	.706	1-1/8	.078	.120	84	2000
CLM-160-TVR	M24	1.000	1.000	1.159	1.875	2-1/4	3/4	2-1/2	3.350	1.00	1.119	1-3/4	.094	.138	260	4000

*Recommended torque and clamping force are at 1/3 of yield strength, leaving 2/3 of holding capacity to resist external cutting forces, etc.

CAM EDGE CLAMPS

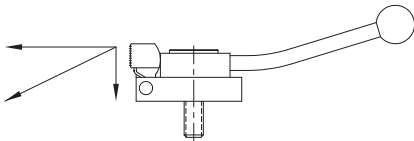
BODY: STEEL, WEAR SURFACES HARDENED, BLACK OXIDE FINISH
BALL HANDLE: BLACK PHENOLIC PLASTIC



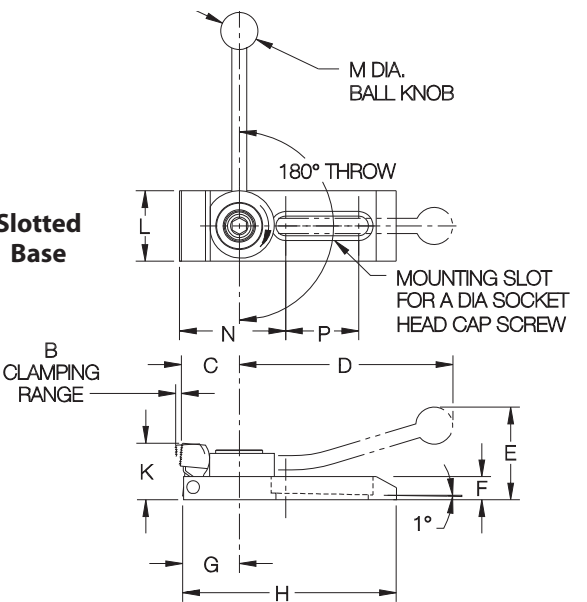
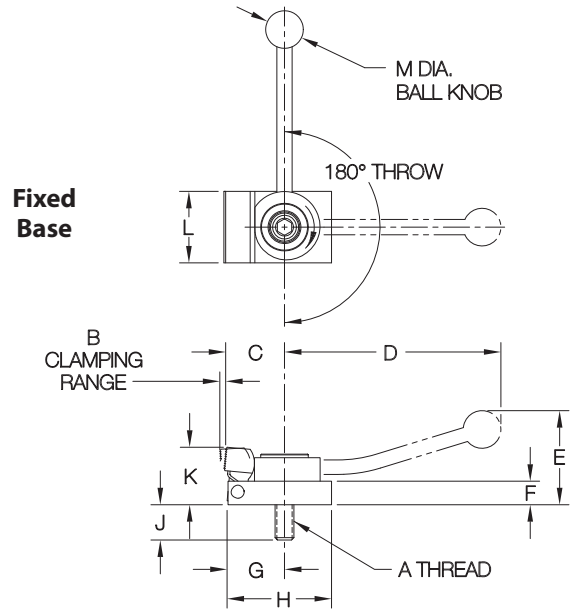
Fixed Base

Slotted Base

Pivoting-nose edge clamp operated by a cam handle for fast action. Smooth spiral cam locks positively anywhere within its 180° throw. Choice of two sizes. Available with either a standard base for fixed-position mounting, or a slotted base for adjustable mounting. Choice of clockwise or counterclockwise handle rotation to clamp.



Nose pivots to exert clamping force forward and downward at the same time.



FIXED BASE (INCH)

PART NO.		A	B	C	D	E	F	G	H	J	K		L	M	N	P	MAX CLAMPING FORCE (LBS)	
CLOCKWISE CLAMPING	CCW CLAMPING										MIN	MAX					HORIZONTAL	VERTICAL
CL-MF25-5601	CL-MF25-5602	5/16-18	5/32	1-1/8	3-15/16	1-5/8	7/16	15/16	1-3/4	11/16	7/8	1	1-1/4	3/4	—	—	750	50
CL-MF40-5601	CL-MF40-5602	1/2-13	7/32	1-9/16	5-3/4	2-1/2	5/8	1-1/2	2-3/4	15/16	1-5/16	1-1/2	1-7/8	1	—	—	1500	100

FIXED BASE (METRIC)

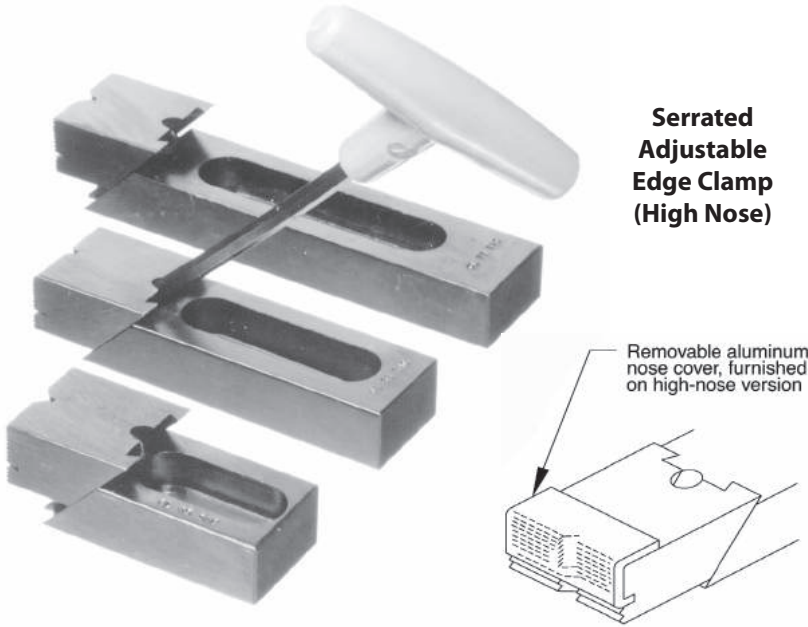
CL-MF08-5601	CL-MF08-5602	M8	5/32	1-1/8	3-15/16	1-5/8	7/16	15/16	1-3/4	.31	7/8	1	1-1/4	3/4	—	—	750	50
CL-MF12-5601	CL-MF12-5602	M12	7/32	1-9/16	5-3/4	2-1/2	5/8	1-1/2	2-3/4	.47	1-5/16	1-1/2	1-7/8	1	—	—	1500	100

SLOTTED BASE

CL-MF25-5611	CL-MF25-5612	5/16-18 or M8	5/32	1-1/8	3-15/16	1-5/8	7/16	15/16	3-1/2	—	7/8	1	1-1/4	3/4	2	1	750	50
CL-MF40-5611	CL-MF40-5612	1/2-13 or M12	7/32	1-9/16	5-3/4	2-1/2	5/8	1-1/2	6	—	1-5/16	1-1/2	1-7/8	1	2-15/16	2	1500	100

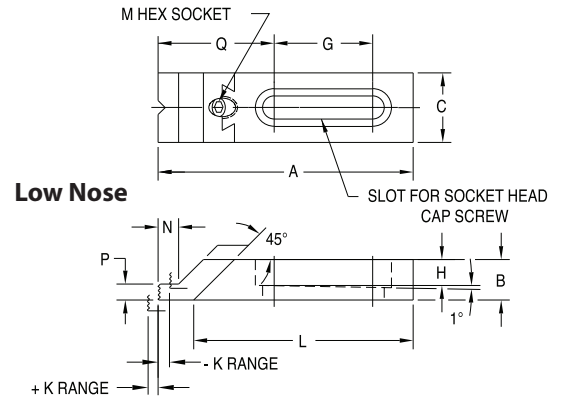
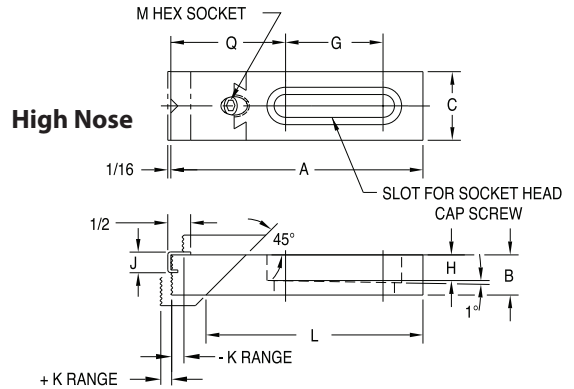
SERRATED EDGE CLAMPS

BODY AND NOSE: 1018 STEEL, CARBURIZED-HARDENED, BLACK OXIDE FINISH
 CLAMPING SCREW: 4140 STEEL, HEAT TREATED RC 43-45, BLACK OXIDE FINISH
 NOSE COVER: ALUMINUM



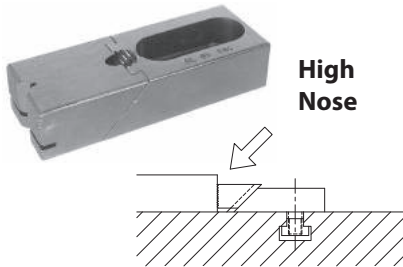
Serrated Adjustable Edge Clamp (High Nose)

Removable aluminum nose cover, furnished on high-nose version



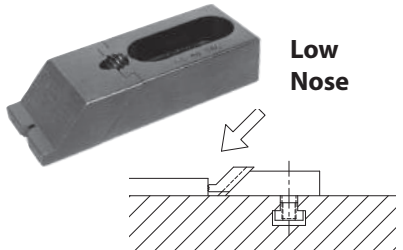
7

This low-profile clamp is ideal for gripping the side of a workpiece to keep the top clear for machining. Clamps both forward and down simultaneously, by tightening the socket-head screw in the sliding nose with a hex wrench. V-groove in nose is excellent for clamping round parts or corners. Choice of five sizes, each available in several slot lengths. Slot is tapered to prevent the clamp from backing off under heavy forces. Use two mounting screws on longer clamps.



High Nose

High-nose version is best for most applications. Gripping high up on the workpiece, close to the machining plane, provides maximum clamping rigidity. A removable aluminum nose cover is furnished for clamping soft or machined parts without damage.



Low Nose

Low-nose version is ideal for thin parts, with its extra machining clearance.

ADJUSTABLE — HIGH NOSE

PART NO.	MOUNTING SCREW SIZE	A	B	C	G	H	J	K	L	M	N	P	Q
CL-1-SAC	5/16-18 or M8	2	5/8	1	1/4	9/32	7/16	1/4	1-1/2	5/32	—	—	1-3/8
CL-5-SAC		3			1-1/4				2-1/2				
CL-15-SAC	3/8-16 or M10	3	5/8	1-1/4	13/16	3/8	7/16	1/4	2-3/8	3/16	—	—	1-11/16
CL-25-SAC		4-1/4			1-7/16				3-5/8				2-1/16
CL-35-SAC		5			2-1/8				4-3/8				1-7/8
CL-45-SAC		4			1-1/4				3-3/16				2-1/4
CL-55-SAC	1/2-13 or M12	5-1/2	7/8	1-1/2	2-1/8	1/2	5/8	5/16	4-11/16	1/4	—	—	2-1/2
CL-65-SAC		7-1/8			3				6-5/16				2-9/16
CL-75-SAC	5/8-11 or M16	5-1/2	1-1/4	1-3/4	1-3/8	5/8	3/4	5/16	4-1/2	5/16	—	—	3-9/32
CL-95-SAC		8-1/4			4				7-1/4				3
CL-105-SAC		5-1/2			1-3/8				4-1/2				3-9/32
CL-125-SAC	3/4-10 or M20	8-1/4	1-1/4	1-3/4	4	3/4	3/4	5/16	7-1/4	5/16	—	—	3

ADJUSTABLE — LOW NOSE

PART NO.	MOUNTING SCREW SIZE	A	B	C	G	H	J	K	L	M	N	P	Q
CL-0-SAC	5/16-18 or M8	2	5/8	1	1/4	9/32	—	1/4	1-1/2	5/32	1/8	1/8	1-3/8
CL-00-SAC		3			1-1/4				2-1/2				
CL-10-SAC	3/8-16 or M10	3	5/8	1-1/4	13/16	3/8	—	1/4	2-3/8	3/16	1/4	1/4	1-11/16
CL-20-SAC		4-1/4			1-7/16				3-5/8				2-1/16
CL-30-SAC		5			2-1/8				4-3/8				1-7/8
CL-40-SAC		4			1-1/4				3-3/16				2-1/4
CL-50-SAC	1/2-13 or M12	5-1/2	7/8	1-1/2	2-1/8	1/2	—	5/16	4-11/16	1/4	1/4	1/4	2-1/2
CL-60-SAC		7-1/8			3				6-5/16				2-9/16
CL-70-SAC	5/8-11 or M16	5-1/2	1-1/4	1-3/4	1-3/8	5/8	—	5/16	4-1/2	5/16	5/16	3/8	3-9/32
CL-90-SAC		8-1/4			4				7-1/4				3
CL-100-SAC		5-1/2			1-3/8				4-1/2				3-9/32
CL-120-SAC	3/4-10 or M20	8-1/4	1-1/4	1-3/4	4	3/4	—	5/16	7-1/4	5/16	5/16	3/8	3

SERRATED EDGE CLAMPS

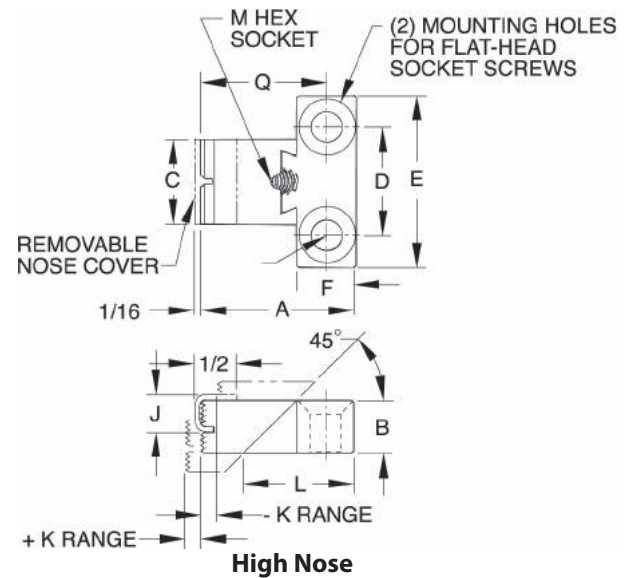
BODY AND NOSE: 1018 STEEL, CARBURIZED-HARDENED, BLACK OXIDE FINISH
 CLAMPING SCREW: 4140 STEEL, HEAT TREATED RC 43-45, BLACK OXIDE FINISH
 NOSE COVER: ALUMINUM



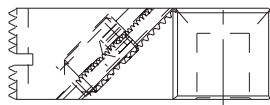
**Serrated
Fixed
Edge Clamp
(High Nose)**



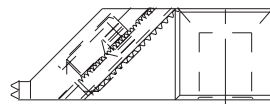
**Serrated
Fixed
Edge Clamp
(Low Nose)**



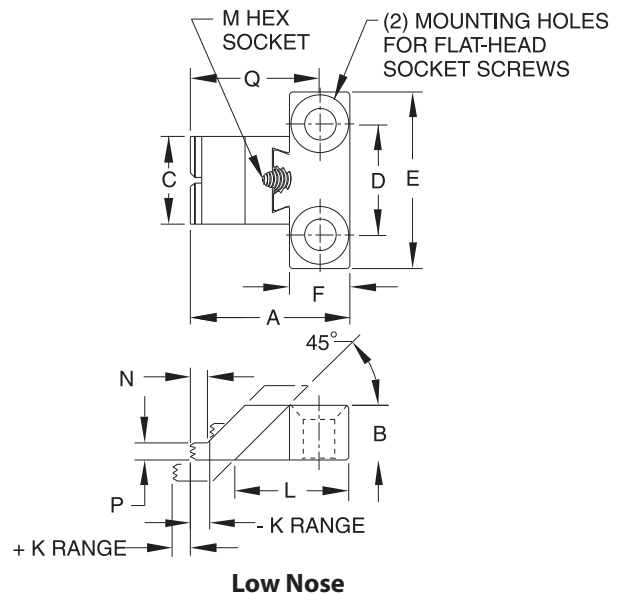
Serrated Fixed Edge Clamps mount in a fixed position, rather than having a slot for adjustment. This makes the clamps more compact and ensures that they are mounted in the correct location without requiring adjustment. The fixed version is usually better for permanent fixtures, while the adjustable version is better for machine-table mounting. The Flat-Head Socket Screws used for mounting absolutely hold proper location (order separately). Choice of three clamp sizes, with either a high nose or low nose.



High Nose



Low Nose



FIXED POSITION — HIGH NOSE

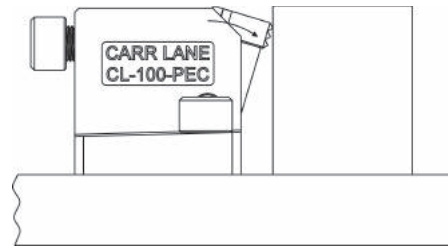
PART NO.	MOUNTING SCREW SIZE	A	B	C	D	E	F	J	K	L	M	N	P	Q	FLAT-HEAD SOCKET SCREWS (2 REQ'D) ORDER SEPARATELY
CL-5-SFC	5/16-18	1-13/16	5/8	1	1	1-3/4	11/16	7/16	1/4	1-5/16	5/32	—	—	1-15/32	CL-5/16-18x1.00-FHSS
CL-45-SFC	1/2-13	2-11/16	7/8	1-1/2	2	3	1	5/8	5/16	1-7/8	1/4	—	—	2-3/16	CL-1/2-13x1.38-FHSS
CL-75-SFC	5/8-11	3-1/2	1-1/4	1-3/4	2	3-1/4	1-1/4	3/4	5/16	2-1/2	5/16	—	—	2-7/8	CL-5/8-11x2.00-FHSS

FIXED POSITION — LOW NOSE

CL-0-SFC	5/16-18	1-13/16	5/8	1	1	1-3/4	11/16	7/16	1/4	1-5/16	5/32	1/8	1/8	1-15/32	CL-5/16-18x1.00-FHSS
CL-40-SFC	1/2-13	2-11/16	7/8	1-1/2	2	3	1	5/8	5/16	1-7/8	1/4	1/4	1/4	2-3/16	CL-1/2-13x1.38-FHSS
CL-70-SFC	5/8-11	3-1/2	1-1/4	1-3/4	2	3-1/4	1-1/4	3/4	5/16	2-1/2	5/16	5/16	3/8	2-7/8	CL-5/8-11x2.00-FHSS

PIVOTING EDGE CLAMPS

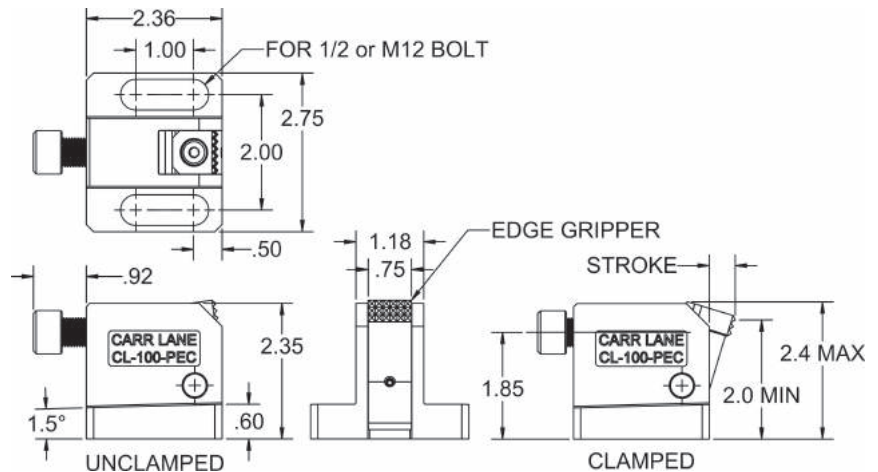
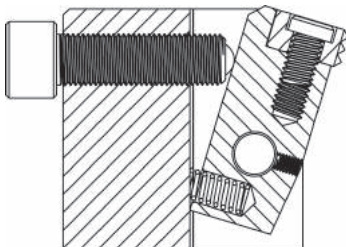
BODY & JAW: 1018 STEEL, BLACK OXIDE FINISH
 EDGE GRIPPER: M-2 TOOL STEEL, HEAT TREATED Rc 60-62, BLACK OXIDE FINISH
 DOWEL PIN: 4140 ALLOY STEEL



New item!

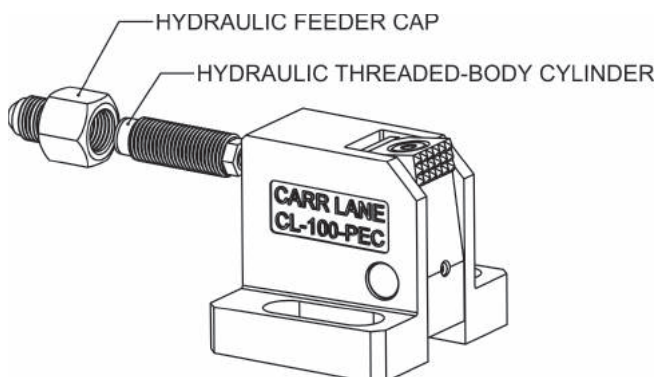
This edge clamp is well suited for holding large castings and other tall workpieces. The pivoting jaw exerts clamping force forward and downward at the same time. The jaw has a replaceable serrated gripper made of hardened tool steel for high-production durability. The slotted base provides adjustability and has a tapered top surface to prevent the clamp from moving. Fasten with two Socket-Head Cap Screws.

7



PIVOTING EDGE CLAMP

PART NO.	MAXIMUM CLAMPING STROKE	MOUNTING SCREW SIZE	THRUST SCREW SIZE	BALL-END THRUST SCREW (FURNISHED)	EDGE GRIPPER (FURNISHED)
CL-100-PEC	1/2	1/2-13 or M12	1/2-20	CL-80-BTS-1.75	CL-12-EG-6



These Pivoting Edge Clamps can be easily converted to hydraulic operation by replacing the standard thrust screw with a Threaded-Body Cylinder and Feeder Cap, then connecting to a hydraulic pressure source. Please see table below for the required conversion accessories. Maximum clamping stroke is reduced to 1/4" when the clamp is converted to hydraulic operation.

HYDRAULIC CONVERSION ACCESSORIES

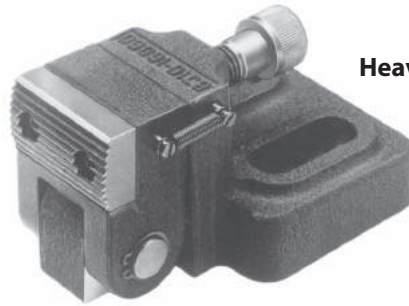
PART NO.	ITEM DESCRIPTION	MAXIMUM HYDRAULIC PRESSURE (psi)
CLR-802-TB	Hydraulic Threaded-Body Cylinder	7250
CLR-308-TBA	Hydraulic Feeder Cap	7250

PIVOTING EDGE CLAMPS

BODY: GRAY CAST IRON, ASTM CLASS 40, BLACK OXIDE FINISH
 JAW: 1045 STEEL, HEAT TREATED RC 40-45, BLACK OXIDE FINISH
 BOLT: 4135 STEEL, HEAT TREATED, BLACK OXIDE FINISH

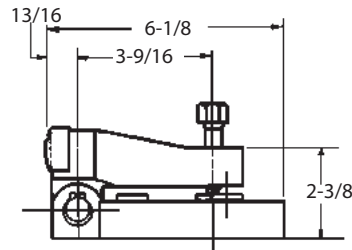
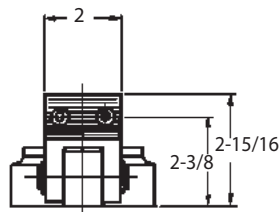
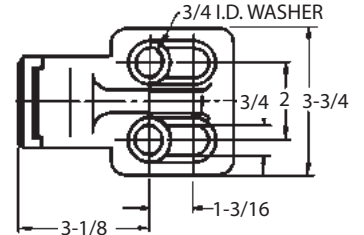
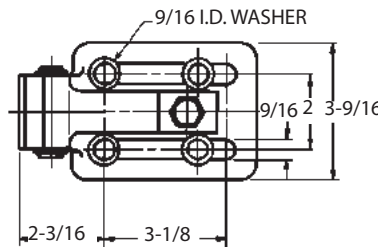
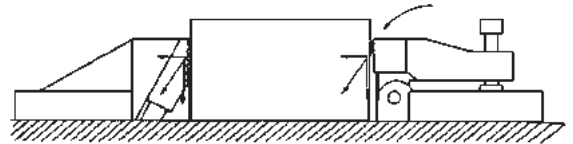


Standard

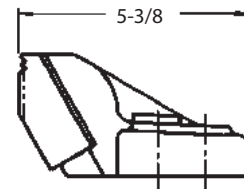


Heavy

Large edge clamp that is ideal for tall workpieces. Pivoting nose pushes forward and downward simultaneously. Can be used to clamp against fixed locators, or against the Downthrust Backstops shown below. Replacement jaws are available.



Standard



Heavy

PIVOTING EDGE CLAMPS

SIZE	PART NO.	MAX. CLAMPING FORCE (LBS)		SOCKET-HEAD CAP SCREWS (2 OR 4 REQD)	REPLACEMENT JAW
		HORIZ	VERT		
STANDARD	CL-MF40-1001	2000	220	(4) CL-1/2-13x2.25-SHCS	CL-MF40-1011
HEAVY	CL-MF50-1001	4200	730	(2) CL-5/8-11x3.00-SHCS	CL-MF40-1011

SWING CLAMPS

TYPES



HOOK CLAMPS – SHORT ARM

Extremely compact swing clamp that mounts in a reamed hole. Compact assembly is ideal for installation in tight spaces and where high clamping forces are required. Choice of socket head (counterbored) or hex-nut type.



HOOK CLAMPS – LONG ARM

Long-arm Hook Clamps are available with either a plain or tapped arm. The tapped-arm version accepts a wide variety of contact bolts or spindles to increase clamping-height range (the tapped arm is slightly longer). Ideal in tight spaces where high clamping force is required.



HOOK CLAMPS – CAM HANDLE

The tapped-arm version is optionally available with a cam handle, to allow clamping without a separate wrench.



ONE-TOUCH QUICK-ACTING SWING CLAMP – HORIZONTAL CAM LEVER

One-Touch Swing Clamps are manually operated clamps that first rotate 70° clockwise into position, then clamp straight down in one continuous motion. The Horizontal Cam Lever is operated by a radial cam lever that swings in an horizontal arc.



ONE-TOUCH QUICK-ACTING SWING CLAMP – VERTICAL CAM LEVER

One-Touch Swing Clamps are manually operated clamps that first rotate 70° clockwise into position, then clamp straight down in one continuous motion. The Vertical Cam Lever is operated by a radial cam lever that swings in a vertical arc. Ideal for confined spaces with no room for a horizontal handle swing.



ONE-TOUCH QUICK-ACTING SWING CLAMP – HEX DRIVE

One-Touch Swing Clamps are manually operated clamps that first rotate 70° clockwise into position, then clamp straight down in one continuous motion. The Hex Drive is operated by a screw mechanism with a hex drive nut. This allows for exact clamping-force control using a torque wrench.



FLOATING CLAMPS

Floating Clamps are position-flexible clamping devices. The top jaw and bottom jaw together provide a floating clamping point that adjusts to the workpiece before locking, to prevent deformation.



SWING CLAMP ASSEMBLIES

Long-reach swing clamp that can be hand-tightened for medium clamping force.



UP-THRUST CLAMP

Combination clamp and locator with a unique upward clamping action. Pushing down the cam handle pulls the lower jaw upward. This clamps the workpiece against the stationary upper jaw, whose bottom surface is a precision-ground locator.

SEE ALSO:



ROEMHELD
HILMA ■ STARK

AIR-POWERED:
pp. 628-629



HYDRAULIC:
pp. 630-638



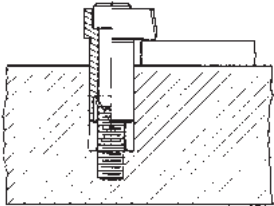
HOOK CLAMPS

CLAMP BODY: 12L14 STEEL, CARBURIZED-HARDENED, BLACK OXIDE FINISH



**Standard Arm
Socket Head**

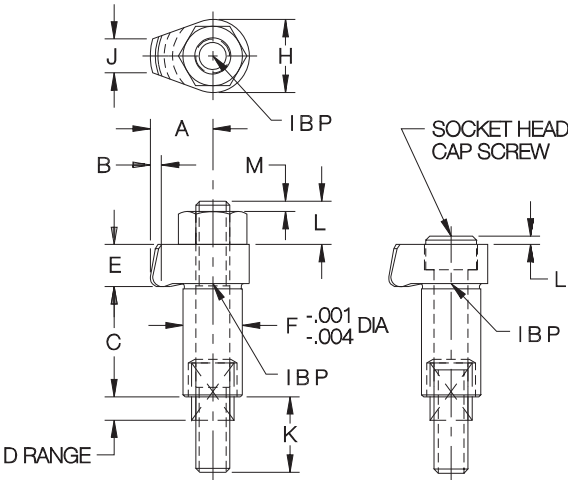
Extremely compact swing clamp that mounts in a reamed hole. Ideal in tight spaces and where high clamping forces are required. Choice of socket head (counterbored) or hex-nut type.



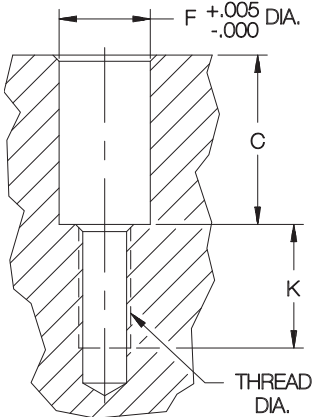
Compact assembly is easy to install in tight spaces. Socket-head type shown above offers a very low profile.



**Standard Arm
Hex Nut**



7



**Installation
Hole**

STANDARD ARM, SOCKET HEAD (INCH)

PART NO.	THREAD DIA	A	B	C	D CLAMPING RANGE	E	F DIA	H DIA	J	K	L	M
CL-1-CAC	5/16-18	.67	.08	.93	.25	.55	.625	.80	.40	.69		
CL-2-CAC	1/2-13	.92	.12	1.63	.50	.63	.875	1.08	.50	1.13	.12	—
CL-3-CAC	5/8-11	1.30	.18	1.83	.70	.90	1.125	1.38	.75	1.25		

STANDARD ARM, SOCKET HEAD (METRIC)

CLM-1-CAC	M8	.67	.08	.93	.25	.55	.625	.80	.40	.66		
CLM-2-CAC	M12	.92	.12	1.63	.50	.63	.875	1.08	.50	1.28	.12	—
CLM-3-CAC	M16	1.30	.18	1.83	.70	.90	1.125	1.38	.75	1.31		

STANDARD ARM, HEX NUT (INCH)

CL-1-CA	5/16-18	.67	.08	.93	.25	.55	.625	.80	.40	1.14	.30	.06
CL-2-CA	1/2-13	.92	.12	1.63	.50	.63	.875	1.08	.50	1.19	.48	.08
CL-3-CA	5/8-11	1.30	.18	1.83	.70	.90	1.125	1.38	.75	1.57	.61	.09

STANDARD ARM, HEX NUT (METRIC)

CLM-1-CA	M8	.67	.08	.93	.25	.55	.625	.80	.40	.69	.32	.05
CLM-2-CA	M12	.92	.12	1.63	.50	.63	.875	1.08	.50	1.02	.47	.07
CLM-3-CA	M16	1.30	.18	1.83	.70	.90	1.125	1.38	.75	1.48	.63	.08

HOOK CLAMPS

CLAMP BODY: 4135 STEEL, HEAT TREATED, BLACK OXIDE FINISH
 SOCKET-HEAD CAP SCREW, BLACK OXIDE FINISH
 SPRING: SPRING STEEL, BLACK OXIDE FINISH



**Long Arm
Socket Head**



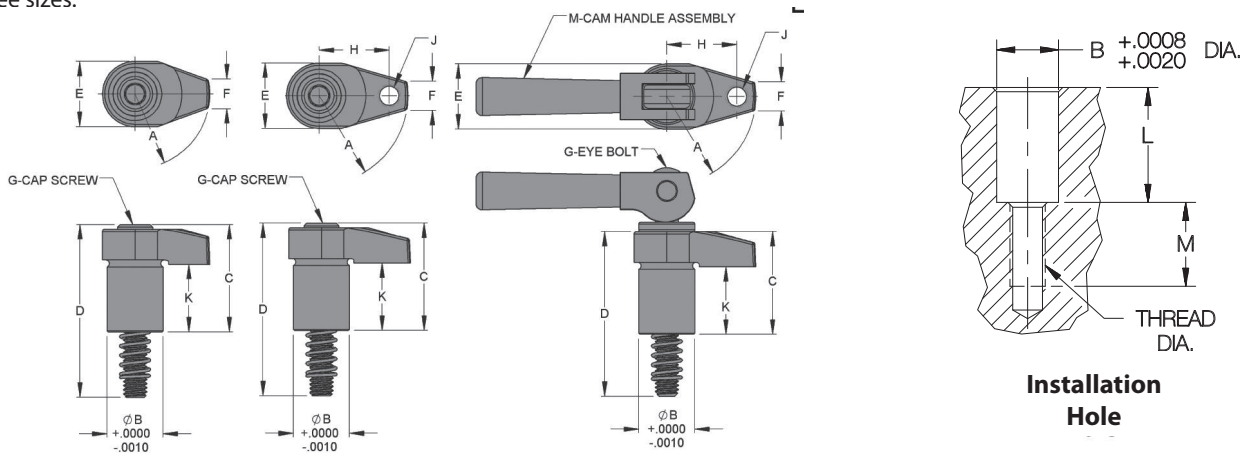
**Tapped Long Arm
Socket Head**



**Tapped Long Arm
Cam Handle**

Long-arm Hook Clamps available with either a plain or tapped arm. The tapped-arm version accepts a wide variety of contact bolts or spindles to increase clamping-height range (the tapped arm is also slightly longer). Mounts in a reamed hole or in a Hook-Clamp Mounting Block or Holder (order separately). Ideal in tight spaces where high clamping force is required. Available in three sizes.

The tapped-arm version is optionally available with a cam handle, to allow clamping without a separate wrench. Use with an adjustable contact bolt to utilize maximum cam travel.



LONG ARM (INCH)

PART NO.		THREAD DIA	A	B	C	D	E	F	G	H	J	K	L	M	MAXIMUM ALLOWABLE TORQUE (FT-LBS)	MAXIMUM CLAMPING FORCE (LBS)
SOCKET HEAD	CAM HANDLE															
CL-MF25-5002	--	5/16-18	1	.7500	1-7/16	2-5/16	7/8	3/8	5/16-18	--	--	29/32	15/16	15/16	22	2200
CL-MF40-5002	--	1/2-13	2	1.0000	2-1/2	3-1/2	1-1/4	11/16	1/2-13	--	--	1-17/32	1-9/16	1	34	2700
CL-MF50-5002	--	5/8-11	2	1.2500	2-7/8	3-7/8	1-7/16	7/8	5/8-11	--	--	1-17/32	1-9/16	1	59	3700

TAPPED LONG ARM (INCH)

CL-MF25-5013	CL-MF25-5020	5/16-18	1-3/16	.7500	1-7/16	2-5/16	7/8	3/8	5/16-18	15/16	5/16-18	29/32	15/16	15/16	22	2200
CL-MF40-5013	CL-MF40-5020	1/2-13	2-3/8	1.0000	2-1/2	3-1/2	1-1/4	11/16	1/2-13	1-13/16	1/2-13	1-17/32	1-9/16	1	34	2700
CL-MF50-5014	CL-MF50-5020	5/8-11	2-3/8	1.2500	2-7/8	3-7/8	1-7/16	7/8	5/8-11	1-13/16	5/8-11	1-17/32	1-9/16	1	59	3700

LONG ARM (METRIC)

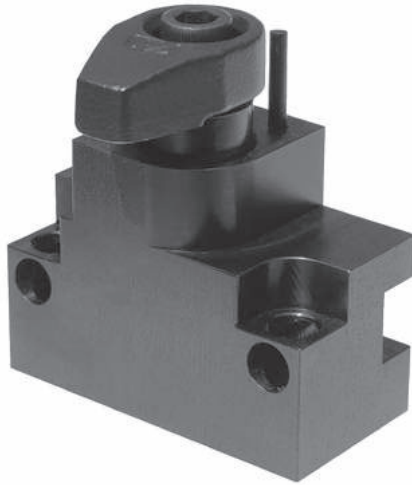
CL-MF08-5002	--	M8	1	.7087(18mm)	1.46	2.28	.87	.39	M8	--	--	.91	.98	.84	22	2200
CL-MF12-5002	--	M12	2	.9843(25mm)	2.68	3.62	1.25	.69	M12	--	--	1.54	1.57	.96	34	2700
CL-MF16-5002	--	M16	2	1.2598(32mm)	2.95	3.98	1.44	.87	M16	--	--	1.54	1.57	.96	59	3700

TAPPED LONG ARM (METRIC)

CL-MF08-5013	CL-MF08-5020	M8	1.19	.7087(18mm)	1.46	2.28	.87	.39	M8	.94	M8	.98	.79	.84	22	2200
CL-MF12-5013	CL-MF12-5020	M12	2.38	.9843(25mm)	2.68	3.62	1.25	.69	M12	1.81	M12	1.54	1.57	.96	34	2700
CL-MF16-5013	CL-MF16-5020	M16	2.38	1.2598(32mm)	2.95	3.98	1.44	.87	M16	1.81	M12	1.54	1.57	.96	59	3700

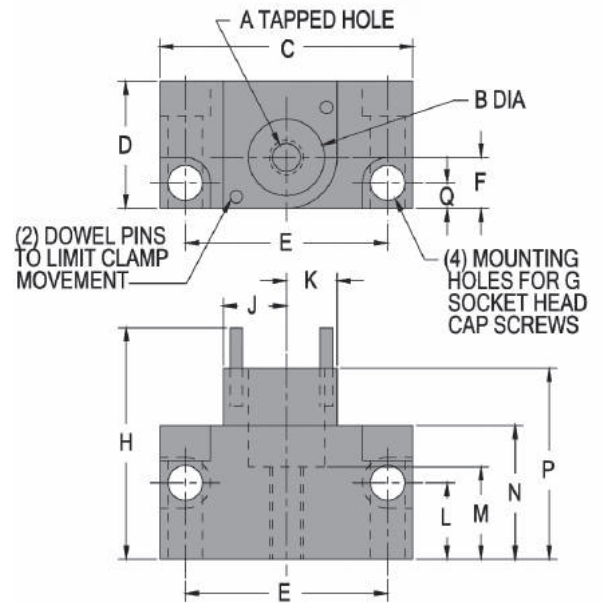
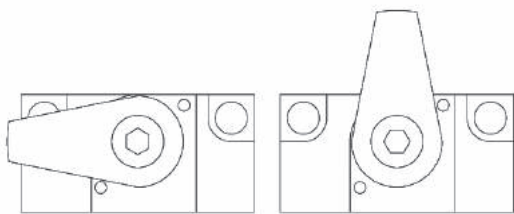
HOOK-CLAMP MOUNTING BLOCKS

1018 STEEL, BLACK OXIDE FINISH



Hook-Clamp Mounting Block
(order Hook-Clamp separately)

These mounting blocks for long-arm Hook Clamps have built-in 90° stops that provide consistent arm positioning in both clamped and unclamped position. Two sets of mounting holes allow either base mounting or side mounting. Precision bored hole for smooth swing action. Available for all three sizes of long-arm Hook Clamps.



HOOK-CLAMP MOUNTING BLOCKS (INCH)

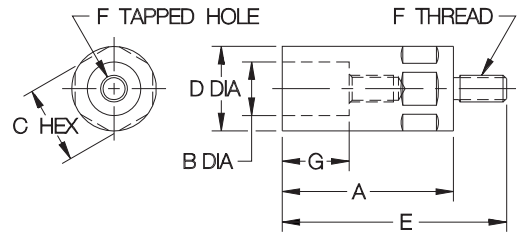
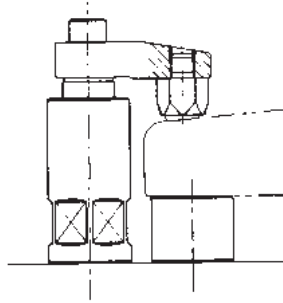
PART NO.	A	B	C	D	E	F	G	H	J	K	L	M	N	P	Q
CL-MF25-5801	5/16-18	.7500	2-1/2	1-1/4	2	1/2	5/16-18 or M8	2-1/2	5/8	1/2	3/4	29/32	1-5/16	1-7/8	1/4
CL-MF40-5801	1/2-13	1.0000	2-3/4	2	2	1	1/2-13 or M12	3-3/4	1	3/4	1	1-5/32	1-7/8	2-3/4	3/8
CL-MF50-5801	5/8-11	1.2500	5	2	4	1	5/8-11 or M16	3-3/4	1	1	1-1/4	1-5/32	2-1/4	2-3/4	1/2

HOOK-CLAMP MOUNTING BLOCKS (METRIC)

PART NO.	A	B	C	D	E	F	G	H	J	K	L	M	N	P	Q
CL-MF08-5801	M8	.7087 (18mm)	1.97	1.00	1.50	.47	M6 or 1/4-20	2.50	.55	.55	.71	.91	.98	1.87	.25
CL-MF12-5801	M12	.9843 (25mm)	2.95	1.50	2.17	.65	M10 or 3/8-16	3.64	.79	.79	.94	1.16	1.38	2.64	.35
CL-MF16-5801	M16	1.2598 (32mm)	3.46	1.75	2.56	.77	M12 or 1/2-13	4.43	.94	.94	1.26	1.16	1.77	3.43	.39

HOOK-CLAMP HOLDERS

1045 STEEL, BLACK OXIDE FINISH



HOOK-CLAMP HOLDERS (INCH)

PART NO.	F THREAD DIA	A	B DIA	C	D DIA	E	G
CL-MF25-5101	5/16-18	2-1/4	.7500	7/8	1	3	15/16
CL-MF40-5101	1/2-13	3-1/8	1.0000	1-7/16	1-9/16	4-3/8	1-9/16
CL-MF40-5102		4				5-1/4	
CL-MF50-5101	5/8-11	3-1/8	1.2500	1-3/4	2	4-3/8	1-9/16
CL-MF50-5102		4				5-1/4	

HOOK-CLAMP HOLDERS (METRIC)

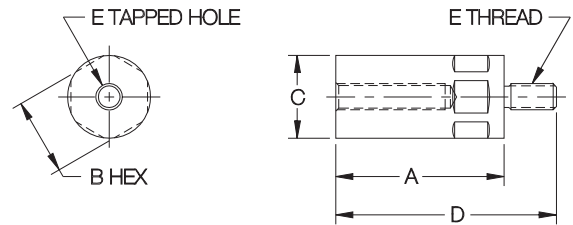
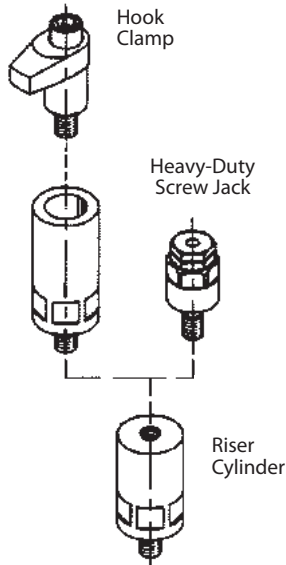
PART NO.	F THREAD	A	B DIA	C	D DIA	E	G
CL-MF08-5101	M8	2.17	.7087 (18mm)	.87 (22mm)	.94	2.91	.98
CL-MF12-5101	M12	3.15	.9843 (25mm)	1.42 (36mm)	1.57	4.33	1.57
CL-MF16-5101	M16	3.15	1.2598 (32mm)	1.81 (46mm)	1.97	4.33	1.57

Compact mounting adapter for long-arm Hook-Clamps. Precision bored hole for smooth swing action.

7

RISER CYLINDERS

1045 STEEL, BLACK OXIDE FINISH

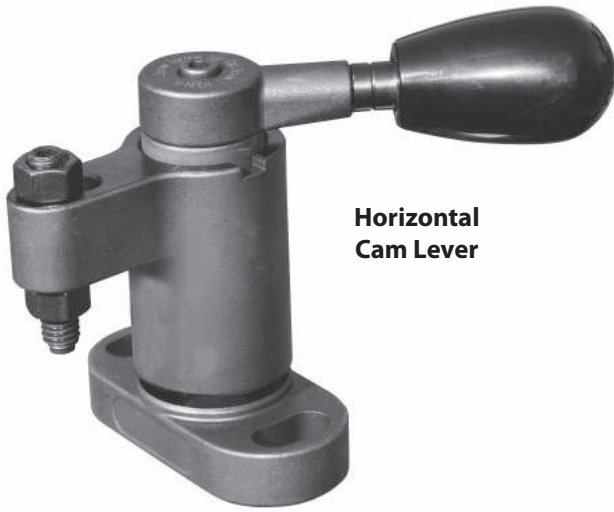


PART NO.	A	B	C DIA	D	E
CL-MF25-5201	1-1/4	7/8	1	2	5/16-18
CL-MF25-5202	1-1/2			2-1/4	
CL-MF25-5203	2	1-7/16	1-9/16	2-3/4	1/2-13
CL-MF40-5201	2			3-1/4	
CL-MF40-5203	3-1/8	1-13/16	2	4-3/8	5/8-11
CL-MF40-5204	4			5-1/4	
CL-MF50-5201	2	4	5-1/4	3-1/4	
CL-MF50-5203	3-1/8			4-3/8	
CL-MF50-5204	4			5-1/4	

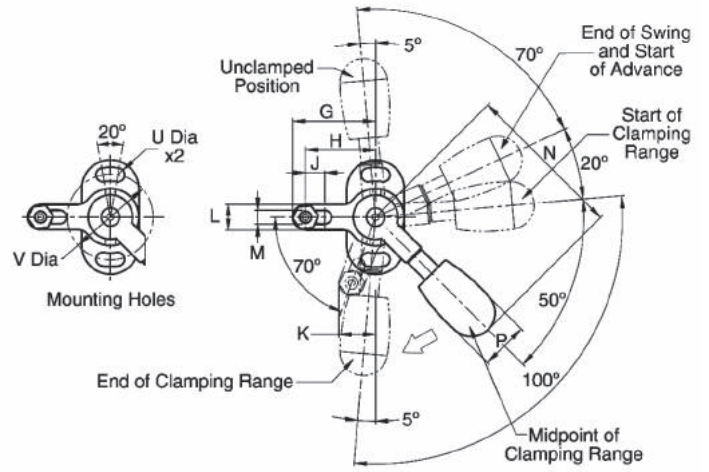
Provides additional height without taking up much space. Useful with Hook Clamps (INFO+ pages 297-298), and Heavy-Duty Screw Jacks (INFO+ page 231).

ONE-TOUCH QUICK-ACTING SWING CLAMPS

BASE, SPINDLE, AND LEVER: 1045 STEEL, HEAT TREATED, BLACK OXIDE FINISH
 CLAMPING-ARM BODY AND SPIRAL-CAM SHAFT: ALLOY STEEL, HEAT TREATED, BLACK OXIDE FINISH
 KNOB HANDLE: BLACK PHENOLIC PLASTIC



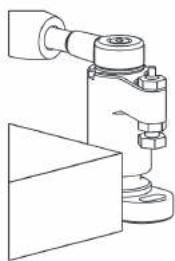
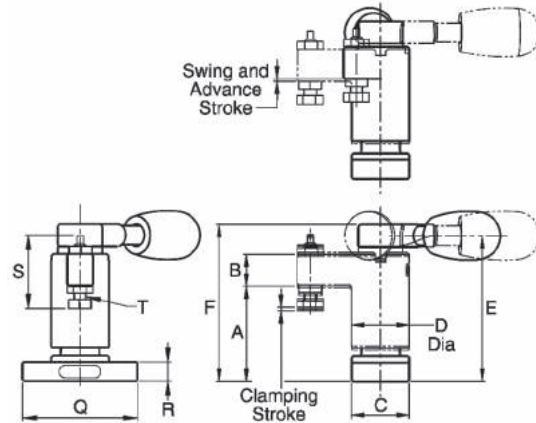
Horizontal Cam Lever



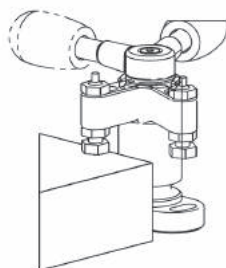
One-Touch Swing Clamps are manually operated clamps that first rotate 70° clockwise into position then clamp straight down in one continuous motion. The version shown here is operated by a radial cam lever that swings in an horizontal arc. Available in four sizes.

Starting with the clamping arm swung away for loading, turn the lever to rotate the arm into clamping position and automatically move the arm downward to apply clamping force. A small portion of the total vertical stroke is used to swing, and slightly advance the clamping arm, then the remaining stroke is available as the clamping range. To unclamp, reverse the lever movement to lift the arm straight up and automatically return the arm to its original position for loading.

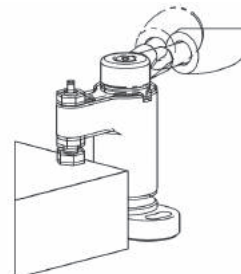
Mount clamp with two socket-head cap screws using the two mounting slots. To allow for workpiece variation, adjust spindle extension so that full clamping force is achieved approximately in the middle of the lever's 100° clamping range.



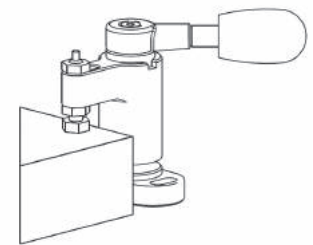
1. Starting position, with clamping arm swung away for loading.



2. Turn lever (70°) to rotate arm into clamping position.



3. Continue turning lever (through 90°) to advance the arm toward the workpiece.



4. Continue turning lever (90° to 190°) until full clamping force is applied.

HORIZONTAL CAM LEVER (INCH)

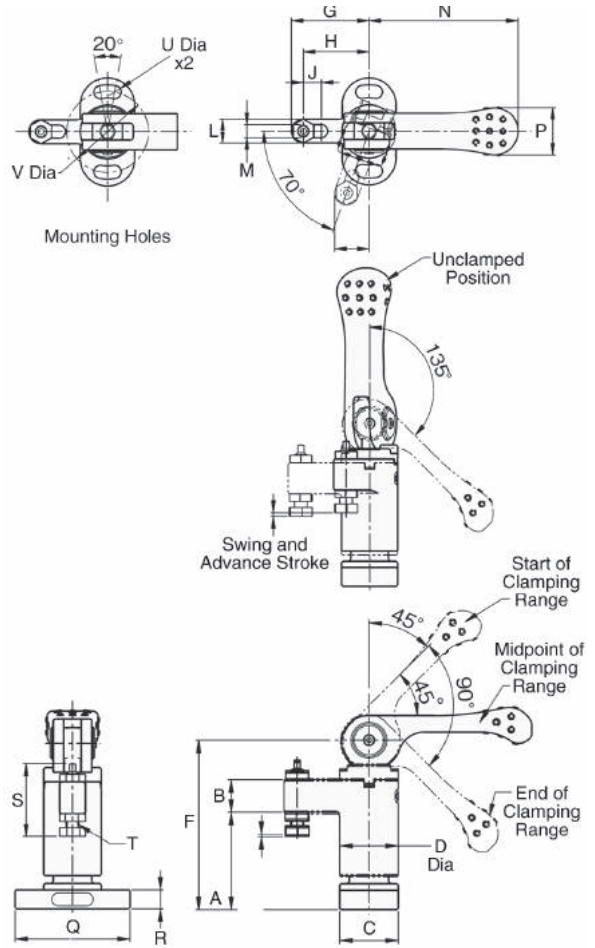
PART NO.	MAX CLAMPING FORCE (LBS)	MAX. ALLOWABLE TORQUE (FT-LBS)	SWING AND ADVANCE STROKE	CLAMPING STROKE (MAX.)	A			B	C	D DIA	E	F	G	H	J	K	L	M	N	P DIA	Q	R	S	T SOCKET SET-SCREW	U DIA	V DIA
					UN-CLAMPED POSITION	START OF CLAMPING RANGE	END OF CLAMPING RANGE																			
CL-100-QSCR	250	4	.03	.04	1.21	1.18	1.14	.39	.71	.71	1.80	1.93	1.02	1.02	.24	.45	.31	.169	1.97	.59	1.42	.24	.88	#8-32	.169	1.063
CL-150-QSCR	400	7	.04	.06	1.62	1.58	1.52	.55	.91	.91	2.41	2.60	1.38	1.18	.31	.60	.39	.209	2.48	.79	1.77	.31	1.00	#10-24	.209	1.339
CL-200-QSCR	500	12	.05	.06	2.02	1.97	1.91	.71	1.18	1.18	3.01	3.23	1.77	1.46	.31	.81	.63	.331	3.15	1.02	2.56	.47	1.50	5/16-18	.331	1.890
CL-300-QSCR	800	23	.07	.07	2.43	2.36	2.29	.87	1.57	1.57	3.66	3.94	2.17	1.77	.31	1.00	.79	.409	3.94	1.30	3.35	.59	2.00	3/8-16	.409	2.520

ONE-TOUCH QUICK-ACTING SWING CLAMPS

BASE, WASHER, AND SPINDLE: 1045 STEEL, HEAT TREATED, BLACK OXIDE FINISH
 CLAMPING-ARM BODY AND CAM HANDLE: ALLOY STEEL, HEAT TREATED, BLACK OXIDE FINISH



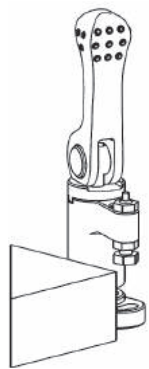
**Vertical
Cam Handle**



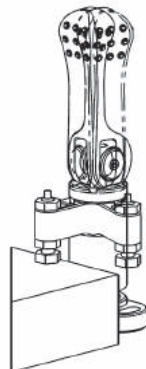
One-Touch Swing Clamps are manually operated clamps that first rotate 70° clockwise into position then clamp straight down in one continuous motion. The version shown here is operated by a cam handle that swings in a vertical arc. Ideal for confined spaces with no room for a horizontal handle swing. Available in four sizes.

Starting with the handle upright and the clamping arm swung away for loading, first twist the handle to rotate the arm into clamping position, then push the handle downward to lower the arm and apply clamping force. A small portion of the total vertical stroke is used to swing, and slightly advance the clamping arm, then the remaining stroke is available as the clamping range. Reverse the process to unclamp and return the arm to its original position for loading.

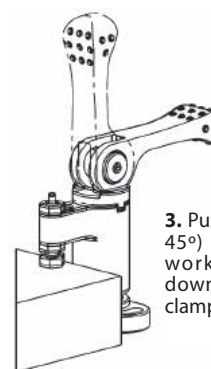
Mount clamp with two socket-head cap screws using the two mounting slots. To allow for workpiece variation, adjust spindle extension so that full clamping force is achieved approximately in the middle of the lever's 100° clamping range.



1. Starting position, with handle upright and clamping arm swung away for loading.



2. Twist handle (70°) to rotate the arm into clamping position.



3. Push handle downward (through 45°) to advance the arm to the workpiece. Continue pushing downward (45° to 135°) until full clamping force is applied.

VERTICAL CAM HANDLE (INCH)

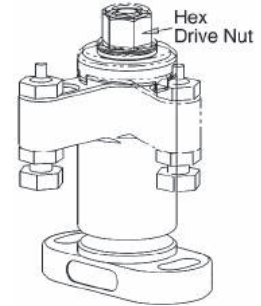
PART NO.	MAX CLAMPING FORCE (LBS)	MAX. ALLOWABLE TORQUE (FF-LBS)	SWING AND ADVANCE STROKE	CLAMPING STROKE (MAX.)	A			B	C	D DIA	F	G	H	J	K	L	M	N	P	Q	R	S	T SOCKET SET-SCREW	U DIA	V DIA
					UN-CLAMPED POSITION	START OF CLAMPING RANGE	END OF CLAMPING RANGE																		
CL-100-QSCV	180	4	.03	.04	1.21	1.18	1.14	.39	.71	.71	2.05	1.02	.87	.24	.45	.31	.169	1.97	.63	1.42	.24	.88	#8-32	.169	1.063
CL-150-QSCV	340	7	.04	.06	1.62	1.58	1.52	.55	.91	.91	2.68	1.38	1.18	.31	.60	.39	.209	2.48	.75	1.77	.31	1.00	#10-24	.209	1.339
CL-200-QSCV	470	12	.05	.06	2.02	1.97	1.91	.71	1.18	1.18	3.43	1.77	1.46	.31	.81	.63	.331	3.15	.94	2.56	.47	1.50	5/16-18	.331	1.890
CL-300-QSCV	630	22	.07	.07	2.43	2.36	2.29	.87	1.57	1.57	4.21	2.17	1.77	.31	1.00	.79	.409	3.94	1.8	3.35	.59	2.00	3/8-16	.409	2.520

ONE-TOUCH QUICK-ACTING SWING CLAMPS

BASE, WASHER, SPINDLE, AND HEX DRIVE NUT: 1045 STEEL, HEAT TREATED, BLACK OXIDE FINISH
CLAMPING-ARM BODY: ALLOY STEEL, HEAT TREATED, BLACK OXIDE FINISH



Hex Drive

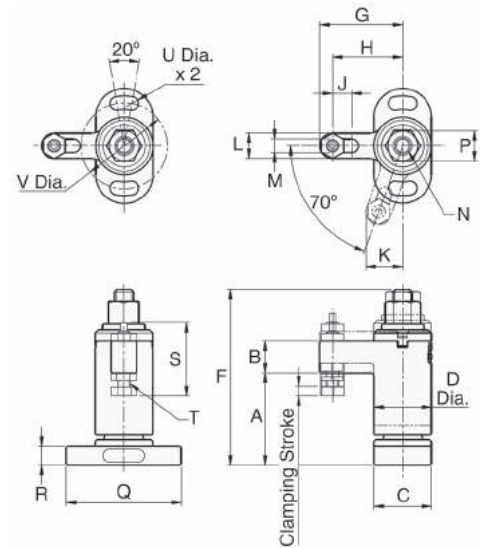


Starting with the clamping arm swung away for loading, tighten the flange nut to rotate the arm into clamping position and automatically move the arm downward to apply clamping force.

One-Touch Swing Clamps are manually operated clamps that first rotate 70° clockwise into position then clamp straight down in one continuous motion. The version shown here is operated by a screw mechanism with a hex drive nut. This allows for exact clamping-force control using a torque wrench. The screw mechanism also provides a longer clamping stroke and greater clamping force than the versions with cam locking. Available in four sizes.

Starting with the clamping arm swung away for loading, tighten the hex drive nut to rotate the arm into clamping position and automatically move the arm downward to apply clamping force. A small portion of the total vertical stroke is used to swing the clamping arm, then the remaining stroke is available as the clamping range. To unclamp, turn the flange nut counterclockwise to lift the arm straight up and automatically return the arm to its original position for loading.

Mount clamp with two socket-head cap screws using the two mounting slots. To allow for workpiece variation, adjust spindle extension so that full clamping force is achieved approximately in the middle of the lever's 100° clamping range.



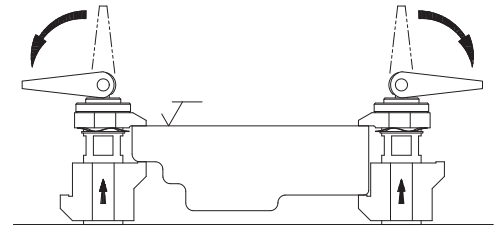
7

HEX DRIVE (INCH)

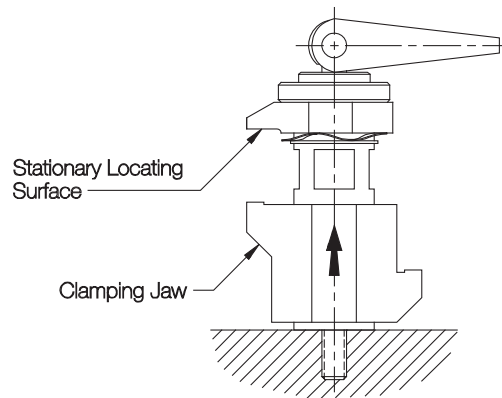
PART NO.	MAX CLAMPING FORCE (LBS)	MAX. ALLOWABLE TORQUE (FF-LBS)	SWING AND ADVANCE STROKE	CLAMPING STROKE (MAX.)	A			B	C	D DIA	F	G	H	J	K	L	M	N	P	Q	R	S	T SOCKET SET-SCREW	U DIA	V DIA
					UN-CLAMPED POSITION	START OF CLAMPING RANGE	END OF CLAMPING RANGE																		
CL-100-QSCH	500	4.5	.02	.12	1.16	1.14	1.02	.39	.71	.71	2.22	1.02	.87	.24	.45	.31	.169	1/4-20	7/16	1.42	.24	.88	#8-32	.169	1.063
CL-150-QSCH	800	8	.02	.16	1.56	1.54	1.38	.55	.91	.91	2.89	1.38	1.18	.31	.60	.39	.209	5/16-18	1/2	1.77	.31	1.00	#10-24	.209	1.339
CL-200-QSCH	1300	21	.03	.16	1.92	1.89	1.73	.71	1.18	1.18	3.58	1.77	1.46	.31	.81	.63	.331	3/8-16	9/16	2.56	.47	1.50	5/16-18	.331	1.890
CL-300-QSCH	1700	33	.03	.20	2.31	2.28	2.08	.87	1.57	1.57	4.49	2.17	1.77	.31	1.00	.79	.409	1/2-13	3/4	3.35	.59	2.00	3/8-16	.409	2.520

UP-THRUST CLAMPS

STEEL, WEAR SURFACES HARDENED, BLACK OXIDE FINISH

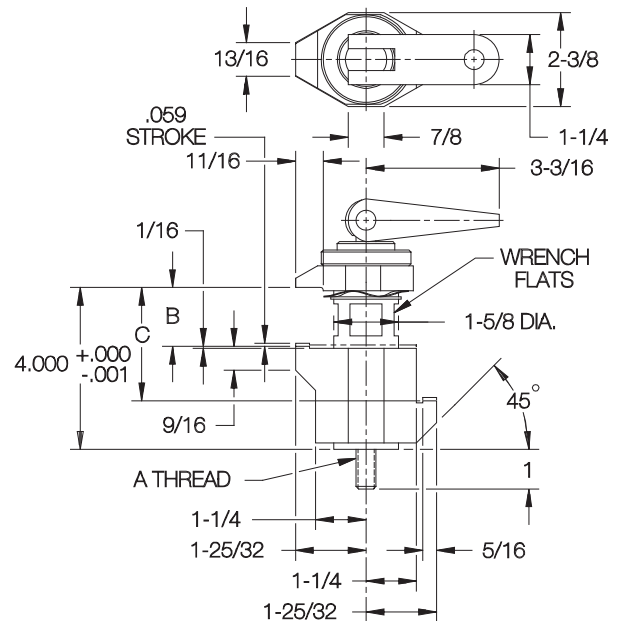
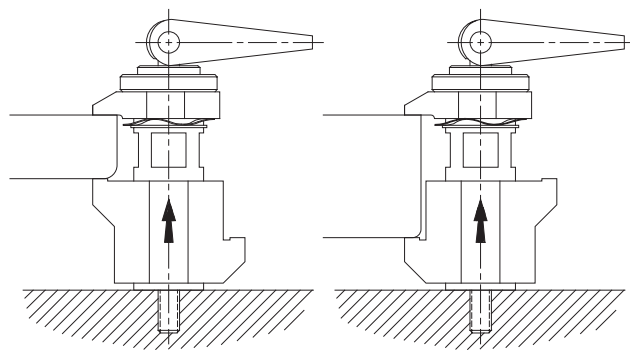


Up-Thrust Clamps locate off of the part's top surface and clamp up from below.



7

Combination clamp and locator with a unique upward clamping action. Pushing down the cam handle pulls the lower jaw upward. This clamps the workpiece against the stationary upper jaw, whose bottom surface is a precision-ground locator.



The lower jaw has two clamping surfaces 180° apart, one for thinner parts, the other for thicker parts. The cam handle rotates to screw the lower jaw up or down for fine adjustment.

PART NO.	A	B RANGE		C RANGE		MAX CLAMPING FORCE (LBS)
		MIN	MAX	MIN	MAX	
CL-MF40-5301	1/2-13	0	1-3/8	1-3/8	2-3/4	2200

FLOATING CLAMPS

HOUSING: ALUMINUM, ANODIZED GREEN.
 BODY: STEEL, CASE HARDENED & NITRIDED, MANGANESE PHOSPHATE TREATED AND GROUND.
 CLAMPING JAWS: STEEL, CASE HARDENED & NITRIDED, MANGANESE PHOSPHATE TREATED.

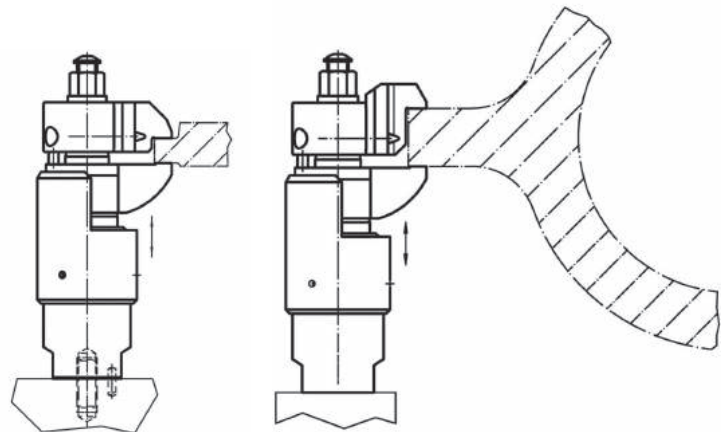
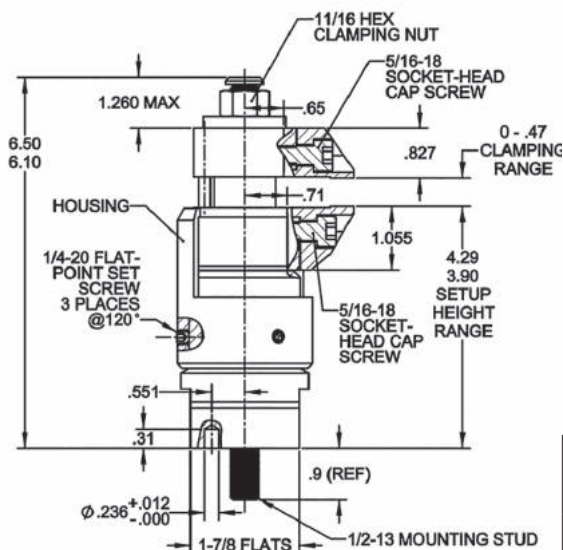
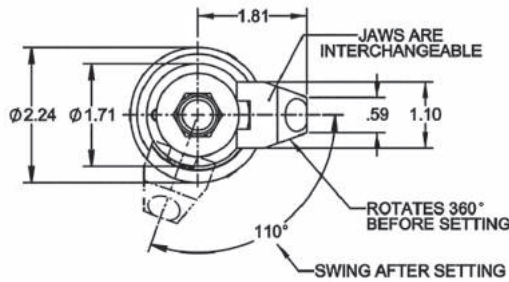


Floating Clamps are position-flexible clamping devices. The top jaw and bottom jaw together provide a floating clamping point that adjusts to the workpiece before locking, to prevent deformation. These combination clamp/supports are often used in conjunction with primary locators and clamps, providing additional support points to reduce machining vibration. Floating Clamps are especially useful for clamping forgings, ribbed or flanged castings, and other larger parts.

Install the clamp in a 1/2-13 threaded mounting hole by tightening using the body wrench flats. Adjust the height-limit stop and the swing range with the three setscrews in the green housing. When setting the height limit, consider the full range of workpiece tolerance.

To initiate clamping, push the Floating Clamp downward, then immediately swing the jaws into clamping position. The clamping jaws will automatically rise so that the bottom jaw contacts the workpiece with a light spring force. Next, tighten the top hex nut 11 ft-lbs minimum to 22 ft-lbs maximum, depending on the support load capacity desired. During the tightening process, the workpiece is clamped and simultaneously supported. Releasing is done in reverse order.

For more information and videos, see our online catalog at carrlane.com.

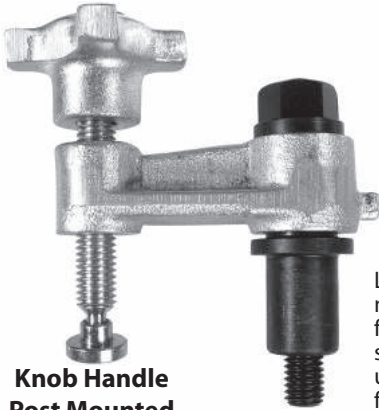


For custom applications, the standard upper clamping jaw supplied can be replaced by a special clamping jaw.

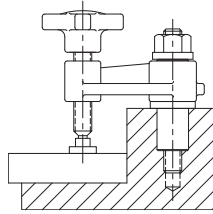
PART NO.	MOUNTING STUD	SUPPORT LOAD CAPACITY AT MINIMUM TIGHTENING TORQUE	SUPPORT LOAD CAPACITY AT MAXIMUM TIGHTENING TORQUE
CL-800-FLC	1/2-13	450 lbs @ 11 ft-lbs	1800 lbs @ 22 ft-lbs

SWING CLAMP ASSEMBLIES

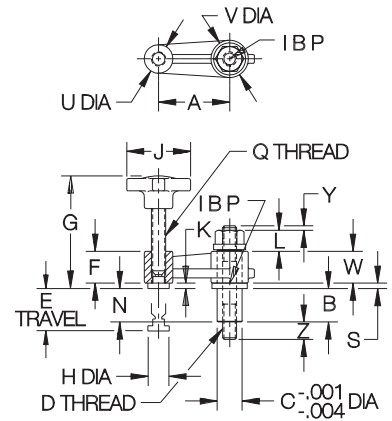
ARM: NODULAR IRON PER ASTM A536 GRADE 65-45-12, ZINC PLATED CLEAR CHROMATE
 ALL OTHER PARTS: MILD STEEL, BLACK OXIDE FINISH



**Knob Handle
Post Mounted**



Long-reach swing clamp that can be hand tightened for medium clamping force. The post-mounted version is ideal for tight spaces, with a long mounting post for increased strength. Swing arm can be turned over for more clearance underneath. Install in a reamed hole. To order with a Delrin® foot instead of steel, add "N" to the part number. Example: CL-1-SWA-1N.



KNOB HANDLE, POST MOUNTED (INCH)

PART NO.	D THREAD SIZE	A	B	C DIA		E	F	G	H DIA	J	K	L	N	Q	S	U DIA	V DIA	W	Y	Z
				NOMINAL	ACTUAL															
CL-1-SWA-1	5/16-18	1-1/2	.80	9/16	.563	.69	3/4	2.45	1/2	1-3/4	5/32	3/8	.68	5/16-18	.16	11/16	15/16	3/4	.11	.80
CL-4-SWA-1	1/2-13	2	1.18	7/8	.875	1.50	1-1/8	3.88	3/4	2-1/8	3/16	11/16	.99	1/2-13	.19	1	1-5/16	1-1/8	.15	.67
CL-5-SWA-1		2-1/2																		
CL-2-SWA-1	5/8-11	3	1.55	1-1/8	1.125	1.59	1-5/16	4.56	15/16	2-3/4	7/32	13/16	1.33	5/8-11	.22	1-5/16	1-3/4	1-1/2	.18	.74
CL-3-SWA-1		3/4																		

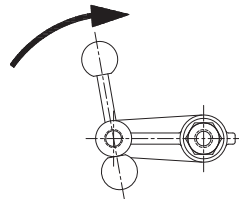
KNOB HANDLE, POST MOUNTED (METRIC)

PART NO.	D THREAD SIZE	A	B	C DIA		E	F	G	H DIA	J	K	L	N	Q	S	U DIA	V DIA	W	Y	Z
				NOMINAL	ACTUAL															
CLM-1-SWA-1	M8	1-1/2	.80	14mm	.551	.69	3/4	2.45	1/2	1-3/4	5/32	.39	.68	5/16-18	.16	11/16	15/16	3/4	.10	.95
CLM-4-SWA-1	M12	2	1.18	22mm	.866	1.50	1-1/8	3.88	3/4	2-1/8	3/16	.67	.99	1/2-13	.19	1	1-5/16	1-1/8	.14	1.01
CLM-5-SWA-1		2-1/2																		
CLM-2-SWA-1	M16	3	1.55	28mm	1.102	1.59	1-5/16	4.56	15/16	2-3/4	7/32	.83	1.33	5/8-11	.22	1-5/16	1-3/4	1-1/2	.16	.66
CLM-3-SWA-1		3/4																		

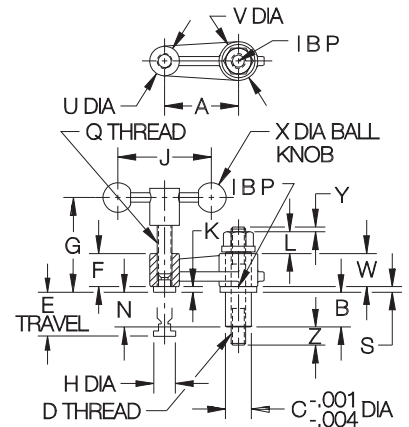
7



**Ball Handle
Post Mounted**



Same as above, except with a sliding ball handle for increased leverage.



BALL HANDLE, POST MOUNTED (INCH)

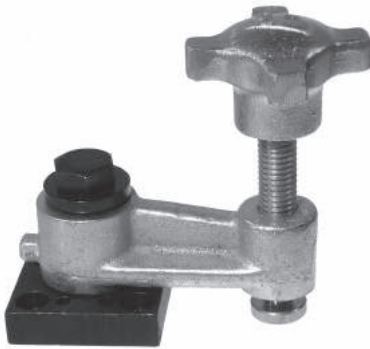
PART NO.	D THREAD SIZE	A	B	C DIA		E	F	G	H DIA	J	K	L	N	Q	S	U DIA	V DIA	W	X	Y	Z
				NOMINAL	ACTUAL																
CL-1-SWA-2	5/16-18	1-1/2	.80	9/16	.563	.88	3/4	2.39	1/2	2-1/4	5/32	3/8	.68	5/16-18	.16	11/16	15/16	3/4	3/4	.11	.80
CL-4-SWA-2	1/2-13	2	1.18	7/8	.875	.96	1-1/8	3.53	3/4	2-5/8	3/16	11/16	.99	1/2-13	.19	1	1-5/16	1-1/8	1	.15	.67
CL-5-SWA-2		2-1/2																			
CL-2-SWA-2	5/8-11	3	1.55	1-1/8	1.125	1.65	1-5/16	4.50	15/16	3	7/32	13/16	1.33	5/8-11	.22	1-5/16	1-3/4	1-1/2	1-3/8	.18	.74
CL-3-SWA-2		3/4																			

BALL HANDLE, POST MOUNTED (METRIC)

PART NO.	D THREAD SIZE	A	B	C DIA		E	F	G	H DIA	J	K	L	N	Q	S	U DIA	V DIA	W	X	Y	Z
				NOMINAL	ACTUAL																
CLM-1-SWA-2	M8	1-1/2	.80	14mm	.551	.88	3/4	2.39	1/2	2-1/4	5/32	.39	.68	5/16-18	.16	11/16	15/16	3/4	3/4	.10	.95
CLM-4-SWA-2	M12	2	1.18	22mm	.866	.96	1-1/8	3.53	3/4	2-5/8	3/16	.67	.99	1/2-13	.19	1	1-5/16	1-1/8	1	.14	1.01
CLM-5-SWA-2		2-1/2																			
CLM-2-SWA-2	M16	3	1.55	28mm	1.102	1.65	1-1/2	4.50	15/16	3	7/32	.83	1.33	5/8-11	.22	1-5/16	1-3/4	1-1/2	1-3/8	.16	.66
CLM-3-SWA-2		3/4																			

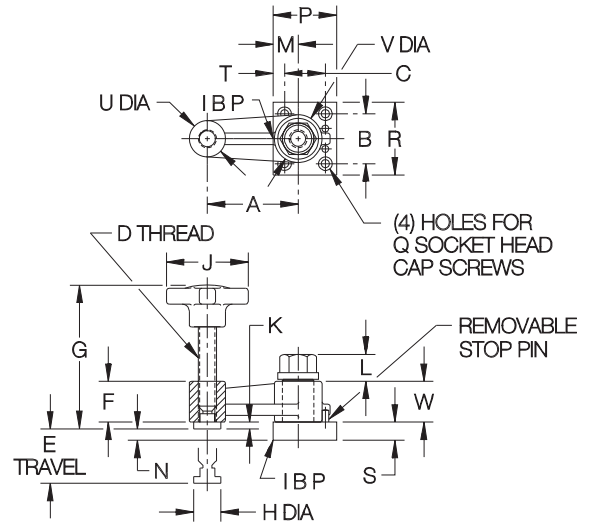
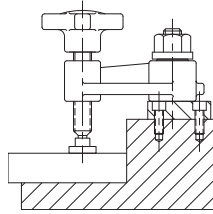
SWING CLAMP ASSEMBLIES

ARM: NODULAR IRON PER ASTM A536 GRADE 60-40-18, ZINC PLATED CLEAR CHROMATE
ALL OTHER PARTS: MILD STEEL, BLACK OXIDE FINISH



**Knob Handle
Flange Mounted**

Long-reach swing clamp that can be hand tightened for medium clamping force. The flange-mounted version is ideal for mounting on flat surfaces. The stop pin furnished can be installed on either side for clockwise or counterclockwise rotation. Swing arm can be turned over for more clearance underneath. To order with a Delrin® foot instead of steel, add "N" to the part number. Example: CL-1-SWA-3N.



KNOB HANDLE, FLANGE MOUNTED

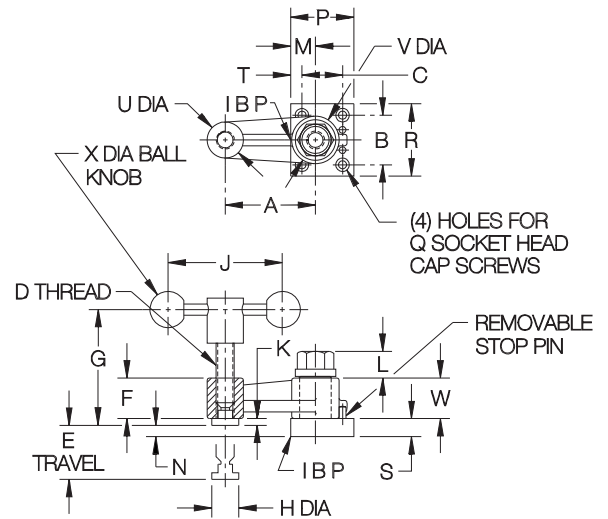
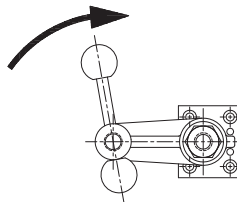
PART NO.	D THREAD SIZE	A	B	C	E	F	G	H DIA	J	K	L	M	N	P	Q	R	S	T	U	V	W
CL-1-SWA-3	5/16-18	1-1/2	1	3/4	.69	3/4	2.45	1/2	1-3/4	5/32	.33	1/2	.25	1-1/4	#10 or M5	1-1/2	3/8	1/4	11/16	15/16	3/4
CL-4-SWA-3	1/2-13	2	1-3/8	1-1/8	1.50	1-1/8	3.88	3/4	2-1/8	3/16	.44	11/16	.31	1-3/4	1/4 or M6	2	1/2	5/16	1	1-5/16	1-1/8
CL-5-SWA-3		2-1/2																			
CL-2-SWA-3	5/8-11	3	1-1/2	1-1/4	1.59	1-5/16	4.56	15/16	2-3/4	7/32	.58	1	.53	2-1/4	3/8 or M10	2-1/4	3/4	3/8	1-5/16	1-3/4	1-1/2
CL-3-SWA-3		4																			

7



**Ball Handle
Flange Mounted**

Same as above, except with a sliding ball handle for increased leverage.

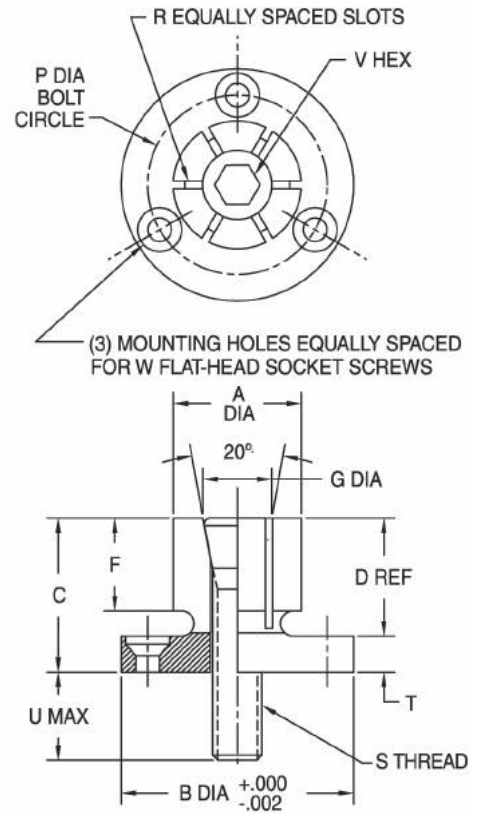
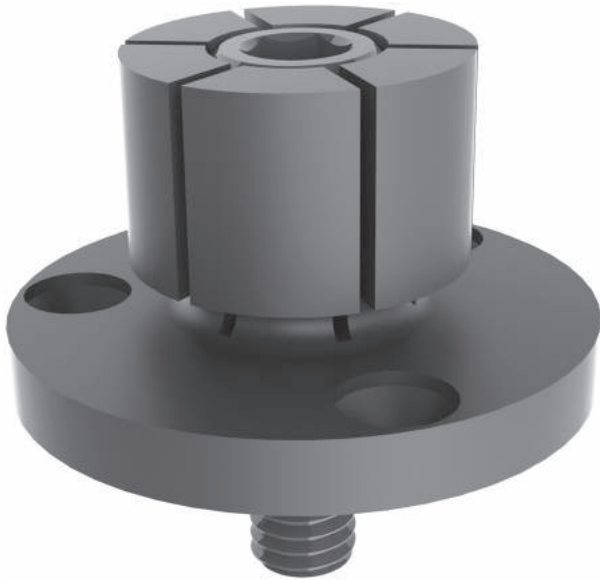


BALL HANDLE, FLANGE MOUNTED

PART NO.	D THREAD SIZE	A	B	C	E	F	G	H DIA	J	K	L	M	N	P	Q	R	S	T	U	V	W	X
CL-1-SWA-4	5/16-18	1-1/2	1	3/4	.88	3/4	2.39	1/2	2-1/4	5/32	.33	1/2	.25	1-1/4	#10 or M5	1-1/2	3/8	1/4	11/16	15/16	3/4	3/4
CL-4-SWA-4	1/2-13	2	1-3/8	1-1/8	.96	1-1/8	3.53	3/4	2-5/8	3/16	.44	11/16	.31	1-3/4	1/4 or M6	2	1/2	5/16	1	1-5/16	1-1/8	1
CL-5-SWA-4		2-1/2																				
CL-2-SWA-4	5/8-11	3	1-1/2	1-1/4	1.65	1-5/16	4.50	15/16	3	7/32	.58	1	.53	2-1/4	3/8 or M10	2-1/4	3/4	3/8	1-5/16	1-3/4	1-1/2	1-3/8
CL-3-SWA-4		4																				

ID CLAMPS

BODY: 12L14 STEEL, BLACK OXIDE FINISH
 CENTER SCREW: ALLOY STEEL, BLACK OXIDE FINISH
 MOUNTING SCREWS: ALLOY STEEL, BLACK OXIDE FINISH



7

ID Clamps expand to self-center and clamp on the inside diameter of a workpiece, leaving the outside clear for machining. Tightening the tapered center screw with a hex wrench pushes the clamping segments outward, and slightly downward, to exert force on the workpiece's internal bore. These clamps are designed to have their outside diameter finish machined by the customer to suit the bore size, because maximum diameter expansion is limited (.006 to .025", depending on the size). ID Clamps allow close mounting for multi-part machining on vertical and horizontal machining centers. Available in seven sizes to hold any inside diameter from .26" to 2.06". Made in USA.

For maximum locational accuracy, machine a recess in the fixture base to fit exactly with the clamp's close-tolerance flange diameter. Flat-head mounting screws are furnished. Please note, ID Clamps provide mostly radial clamping force; therefore the workpiece must be firmly supported underneath – by resting directly on the clamp's mounting flange, the fixture base, or fixed rest pads.

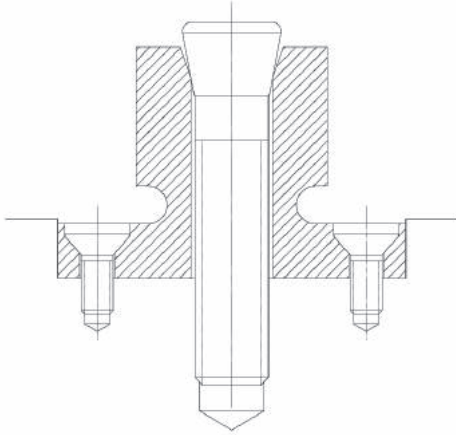
Before finish machining the clamp's outside diameter on a lathe or milling machine, expand the clamp slightly (.002 - .003") from its relaxed diameter by tightening the tapered center screw. Secure with a jam nut if necessary. Reduce the outside diameter only as much as required to achieve smooth workpiece loading, always staying within the expansion range for that clamp size.

INCH

PART NO.	A DIA		B DIA	C	D	F	G DIA	P DIA	R	S	T	U	V	W	DIAMETER EXPANSION RANGE	RECOM- MENDED TORQUE (FT-LBS)	RADIAL HOLDING FORCE (LBS)
	BEFORE MACHINING	MINIMUM AFTER MACHINING															
CL-8-IDC	.500	.260	1.170	.86	.63	.57	.24	.825	4	#8-32	.230	.29	7/64	#6-32	.006	3.6	950
CL-10-IDC	.625	.370	1.240	.99	.76	.58	.36	.910	4	1/4-20	.230	.53	3/16	#6-32	.008	13	1900
CL-13-IDC	.813	.440	1.476	1.00	.77	.59	.43	1.140	6	5/16-18	.230	.60	1/4	#6-32	.010	28	2500
CL-18-IDC	1.125	.580	1.968	1.14	.90	.69	.57	1.550	6	3/8-16	.245	.77	5/16	#8-32	.014	49	4500
CL-22-IDC	1.390	.710	2.205	1.25	1.00	.81	.70	1.790	6	1/2-13	.250	.78	3/8	#8-32	.017	120	5900
CL-27-IDC	1.688	.910	2.736	1.56	1.25	1.06	.87	2.200	6	5/8-11	.310	.84	1/2	#10-32	.020	224	10000
CL-33-IDC	2.063	.910	2.972	1.56	1.25	1.06	.87	2.515	6	5/8-11	.310	.85	1/2	#10-32	.025	224	10000

ID CLAMPS

BODY: 12L14 STEEL, BLACK OXIDE FINISH
CENTER SCREW: ALLOY STEEL, BLACK OXIDE FINISH
MOUNTING SCREWS: ALLOY STEEL, BLACK OXIDE FINISH



For maximum locational accuracy, machine a recess in the fixture base to fit exactly with the clamp's close-tolerance flange diameter. Flat-head mounting screws are furnished.



Each of these workpieces is clamped by two ID Clamps – a large clamp in the large bore and a small clamp in the slot. The large clamp is also the primary locator, so would be tightened first. The small clamp is also the secondary (radial or “clocking”) locator, so would be tightened second. By using ID Clamps, the workpiece’s entire outer surface is accessible for machining.

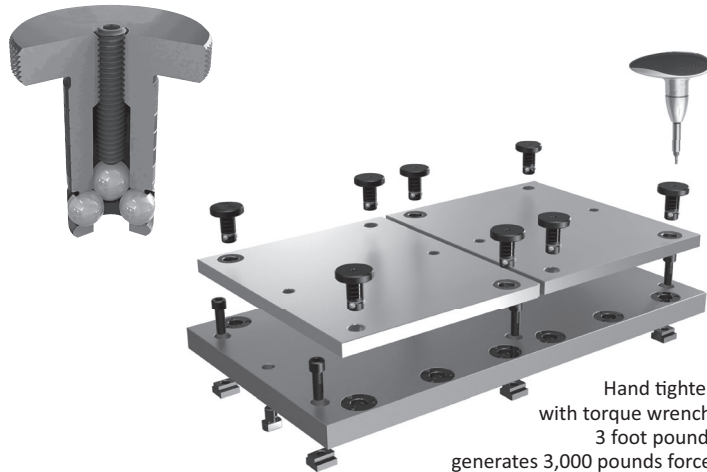
“Carr Lock[®] Works!”



*I need a fast way
to load my fixtures.*

I need proven repeatability.

*Carr Lock[®] lets me stay
ahead of my competition.*



Hand tighten
with torque wrench,
3 foot pounds
generates 3,000 pounds force.

See Carr Lock[®]
in action at
carrlane.com/CarrLock
or turn to
pages 358-372

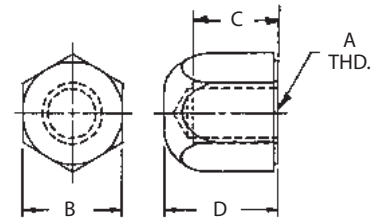
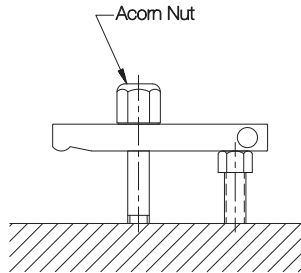
CarrLane[®]
MANUFACTURING CO.

ACORN NUTS

12L14 STEEL, CARBURIZED-HARDENED, BLACK OXIDE FINISH



Closed end covers the end of a stud to prevent snags or thread damage.



INCH

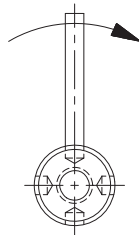
PART NO.	A	B	C	D
CL-0-AN	1/4-20	1/2	3/8	1/2
CL-1-AN	5/16-18	5/8	13/32	5/8
CL-5-AN	3/8-16	3/4	7/16	3/4
CL-2-AN	1/2-13	7/8	9/16	15/16
CL-3-AN	5/8-11	1-1/16	13/16	1-3/16
CL-4-AN	3/4-10	1-1/4	1	1-3/8

KNURLED NUTS

12L14 STEEL, BLACK OXIDE FINISH



Heavy lock nut that can be tightened by hand or with an extension rod (1/4" or 6mm diameter). Large contact surface.

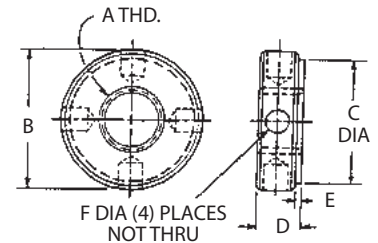


INCH

PART NO.	A	B DIA	C DIA	D	E	F DIA
CL-0-KN	1/4-20	1-1/8	1	7/16	1/16	.257
CL-00-KN	5/16-18					
CL-1-KN	3/8-16					
CL-2-KN	1/2-13					
CL-3-KN	5/8-11					

METRIC

CLM-6-KN	M6	1.12	.98	.43	.80	.256
CLM-8-KN	M8					
CLM-10-KN	M10					
CLM-12-KN	M12					
CLM-16-KN	M16	1.38				



KNURLED CHECK NUTS

12L14 STEEL, BLACK OXIDE FINISH



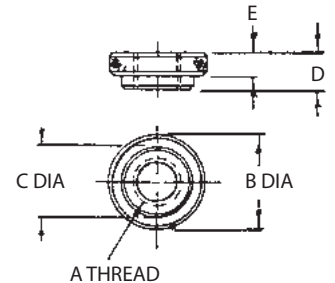
Multipurpose lock nut for finger tightening.

INCH

PART NO.	A	B DIA	C DIA	D	E
CL-1024-TSJN	#10-24	3/4	1/2	1/4	3/16
CL-1032-TSJN	#10-32				
CL-1420-TSJN	1/4-20			5/16	1/4
CL-51618-TSJN	5/16-18				
CL-3816-TSJN	3/8-16	1	3/4	3/8	1/4
CL-1213-TSJN	1/2-13				
CL-5811-TSJN	5/8-11				

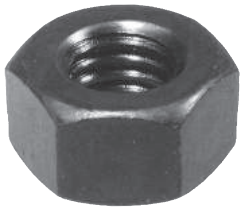
METRIC

CLM-5-TSJN	M5	.75	.51	.24	.20
CLM-6-TSJN	M6				
CLM-8-TSJN	M8			.31	.28
CLM-10-TSJN	M10				
CLM-12-TSJN	M12	.98	.75	.39	.31
CLM-16-TSJN	M16				

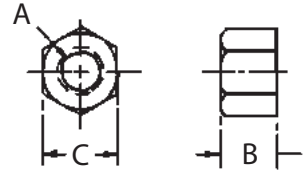


HEX NUTS

STEEL: MILD STEEL, BLACK OXIDE FINISH
 STAINLESS STEEL: 300-SERIES, PASSIVATE FINISH



High-quality heavy Hex Nut, available in steel or stainless steel.



INCH

STEEL PART NO.	STAINLESS STEEL PART NO.	A THREAD	B	C
CL-4-HN	CL-4-HN-S	1/4-20	15/64	1/2
CL-5-HN	CL-5-HN-S	5/16-18	19/64	9/16
CL-6-HN	CL-6-HN-S	3/8-16	23/64	11/16
CL-8-HN	CL-8-HN-S	1/2-13	31/64	7/8
CL-10-HN	CL-10-HN-S	5/8-11	39/64	1-1/16
CL-12-HN	CL-12-HN-S	3/4-10	47/64	1-1/4
CL-14-HN	—	7/8-9	55/64	1-7/16
CL-16-HN	—	1"-8	63/64	1-5/8
CL-20-HN	—	1-1/4"-7	1-7/32	2

INCH FINE

STEEL PART NO.	STAINLESS STEEL PART NO.	A THREAD	B	C
CL-4-FHN	CL-4-FHN-S	1/4-28	7/32	7/16
CL-5-FHN	CL-5-FHN-S	5/16-24	17/64	1/2
CL-6-FHN	CL-6-FHN-S	3/8-24	21/64	9/16
CL-8-FHN	CL-8-FHN-S	1/2-20	7/16	3/4
CL-10-FHN	—	5/8-18	35/64	15/16
CL-12-FHN	—	3/4-16	41/64	1-1/8

METRIC

STEEL PART NO.	STAINLESS STEEL PART NO.	A THREAD	B	C
CLM-6-HN	—	M6	.20	10mm
CLM-8-HN	—	M8	.26	13mm
CLM-10-HN	—	M10	.31	17mm
CLM-12-HN	—	M12	.39	19mm
CLM-16-HN	—	M16	.51	24mm
CLM-20-HN	—	M20	.63	30mm
CLM-24-HN	—	M24	.75	36mm
CLM-30-HN	—	M30	.94	46mm

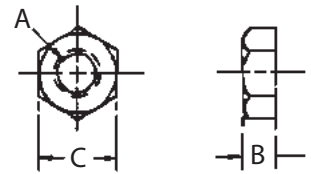
7

JAM NUTS

STEEL: MILD STEEL, BLACK OXIDE FINISH
 STAINLESS STEEL: 300-SERIES, PASSIVATE FINISH



High-quality heavy Jam Nut, available in steel or stainless steel.



INCH

STEEL PART NO.	STAINLESS STEEL PART NO.	A THREAD	B	C
—	CL-2-JN-S	#8-32	1/8	11/32
—	CL-3-JN-S	#10-24	1/8	3/8
CL-4-JN	CL-4-JN-S	1/4-20	11/64	1/2
CL-5-JN	CL-5-JN-S	5/16-18	13/64	9/16
CL-6-JN	CL-6-JN-S	3/8-16	15/64	11/16
CL-8-JN	—	1/2-13	19/64	7/8
CL-10-JN	—	5/8-11	23/64	1-1/16
CL-12-JN	—	3/4-10	27/64	1-1/4
CL-14-JN	—	7/8-9	31/64	1-7/16
CL-16-JN	—	1"-8	35/64	1-5/8

INCH FINE

STEEL PART NO.	STAINLESS STEEL PART NO.	A THREAD	B	C
CL-3-FJN	CL-3-FJN-S	#10-32	1/8	3/8
CL-4-FJN	CL-4-FJN-S	1/4-28	5/32	7/16
CL-5-FJN	CL-5-FJN-S	5/16-24	3/16	1/2
CL-6-FJN	CL-6-FJN-S	3/8-24	7/32	9/16

METRIC

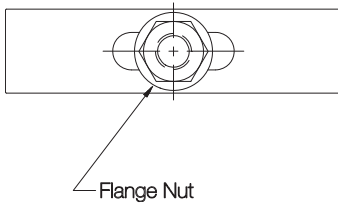
STEEL PART NO.	STAINLESS STEEL PART NO.	A THREAD	B	C
—	CLM-4-JN-S	M4	.08	7mm
—	CLM-5-JN-S	M5	.10	8mm
CLM-6-JN	CLM-6-JN-S	M6	.13	10mm
CLM-8-JN	CLM-8-JN-S	M8	.16	13mm
CLM-10-JN	CLM-10-JN-S	M10	.20	17mm
CLM-12-JN	CLM-12-JN-S	M12	.24	19mm
CLM-16-JN	CLM-16-JN-S	M16	.31	24mm
CLM-20-JN	CLM-20-JN-S	M20	.39	30mm
CLM-24-JN	—	M24	.47	36mm

FLANGE NUTS

STEEL: 12L14, CARBURIZED-HARDENED, BLACK OXIDE FINISH
STAINLESS STEEL: 300-SERIES, PASSIVATE FINISH

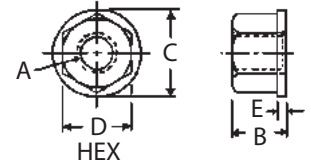


Flanged face provides a large bearing surface to avoid damaging the part underneath, especially when clamping over a slot. Precision machined from one solid piece of steel for extra strength.



INCH

STEEL PART NO.	STAINLESS STEEL PART NO.	A	B	C DIA	D	E
—	CL-123	#10-24	5/16	1/2	3/8	.08
—	CL-125	1/4-20	5/16	9/16	7/16	.12
CL-1-FN	—	5/16-18	3/8	5/8	1/2	.12
—	CL-126			11/16	9/16	.09
CL-9-FN	—			3/4		.12
CL-2-FN	CL-127	3/8-16	1/2	7/8	11/16	.12
CL-3-FN	CL-128	1/2-13	11/16	1-1/8	7/8	.20
CL-4-FN	CL-129	5/8-11	13/16	1-3/8	1-1/16	
CL-5-FN	—	3/4-10	1	1-5/8	1-1/4	.25
CL-6-FN	—	7/8-9	1-1/8	1-3/4	1-7/16	.32
CL-7-FN	—	1"-8	1-1/4	2	1-5/8	.28
CL-10-FN	—	1-1/4"-7	1-3/8	2-1/4	1-13/16	.25



INCH FINE

—	CL-124	#10-32	5/16	1/2	3/8	.08
CL-1-FFN	—	1/4-28		5/8	1/2	.12
CL-2-FFN	—	3/8-24	1/2	7/8	11/16	.20
CL-3-FFN	—	1/2-20	11/16	1-1/8	7/8	
CL-4-FFN	—	5/8-18	13/16	1-3/8	1-1/16	.25
CL-5-FFN	—	3/4-16	1	1-5/8	1-1/4	
CL-7-FFN	—	1"-14	1-1/4	2	1-5/8	.25

METRIC

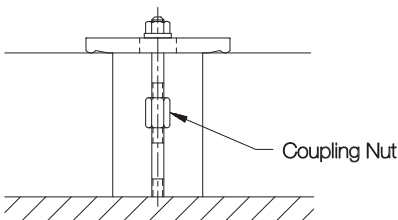
CLM-6-FN	—	M6	.31	.63	10mm	.12
CLM-8-FN	—	M8	.39	.75	13mm	
CLM-10-FN	—	M10	.51	.87	17mm	.20
CLM-12-FN	—	M12	.67	1.10	19mm	
CLM-16-FN	—	M16	.83	1.34	24mm	.24
CLM-20-FN	—	M20	.98	1.61	30mm	
CLM-24-FN	—	M24	1.26	2.01	36mm	.28

COUPLING NUTS

12L14 STEEL, CARBURIZED-HARDENED, BLACK OXIDE FINISH



For joining two or more studs together to create an extra-long stud.

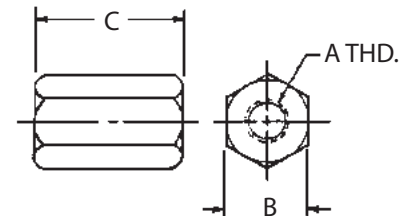


INCH

PART NO.	A	B	C
CL-0-CN	1/4-20	1/2	5/8
CL-00-CN	5/16-18	9/16	7/8
CL-1-CN	3/8-16	11/16	1
CL-2-CN	1/2-13	7/8	1-1/4
CL-3-CN	5/8-11	1-1/16	1-5/8
CL-4-CN	3/4-10	1-1/4	1-7/8
CL-6-CN	1"-8	1-5/8	2-1/2

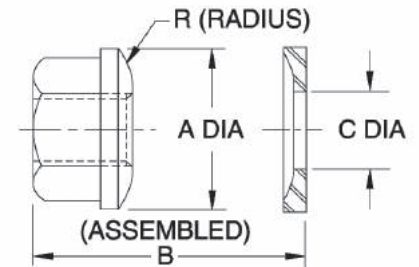
METRIC

CLM-6-CN	M6	10mm	.71
CLM-8-CN	M8	13mm	.79
CLM-10-CN	M10	17mm	.98
CLM-12-CN	M12	19mm	1.18
CLM-16-CN	M16	24mm	1.57
CLM-20-CN	M20	30mm	1.97



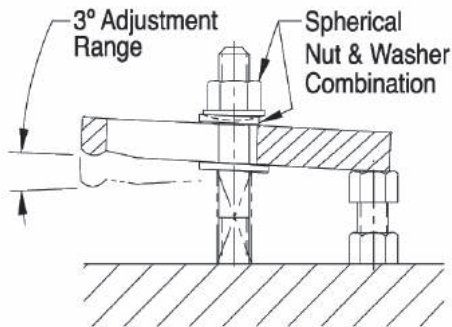
SPHERICAL NUTS AND WASHERS

STEEL: 12L14, CARBURIZED-HARDENED, BLACK OXIDE FINISH
 STAINLESS STEEL: 300-SERIES, PASSIVATED



Combination nut and washer that compensates whenever a stud and clamp strap are not perpendicular. The nut has a convex spherical radius, while the washer has a matching concave spherical radius.

7



STEEL (INCH)

PART NO.	THREAD	HEX	A DIA	B	C DIA	R
CL-1-SNW	1/4-20	1/2	5/8	15/32	5/16	3/4
CL-9-SNW	5/16-18	9/16	3/4	17/32	3/8	1
CL-2-SNW	3/8-16	11/16	7/8	19/32	7/16	1-1/4
CL-3-SNW	1/2-13	7/8	1-1/8	7/8	9/16	1-1/2
CL-4-SNW	5/8-11	1-1/16	1-3/8	1	11/16	1-3/4
CL-5-SNW	3/4-10	1-1/4	1-5/8	1-3/16	7/8	2-1/4
CL-6-SNW	7/8-9	1-7/16	1-3/4	1-5/16	1	2-1/2
CL-7-SNW	1"-8	1-5/8	2	1-7/16	1-1/8	2-3/4

STAINLESS STEEL (INCH)

PART NO.	THREAD	HEX	A DIA	B	C DIA	R
CL-1-SNW-S	1/4-20	1/2	5/8	15/32	5/16	3/4
CL-9-SNW-S	5/16-18	9/16	3/4	17/32	3/8	1
CL-2-SNW-S	3/8-16	11/16	7/8	19/32	7/16	1-1/4
CL-3-SNW-S	1/2-13	7/8	1-1/8	7/8	9/16	1-1/2
CL-4-SNW-S	5/8-11	1-1/16	1-3/8	1	11/16	1-3/4
CL-5-SNW-S	3/4-10	1-1/4	1-5/8	1-3/16	7/8	2-1/4

STEEL (METRIC)

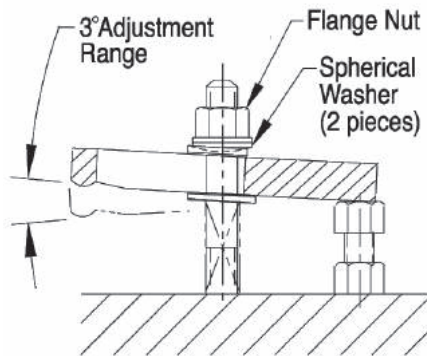
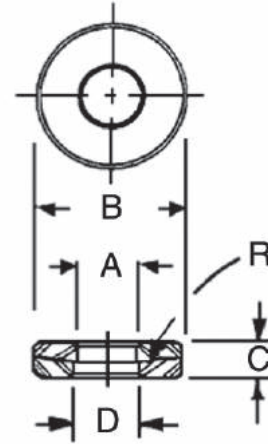
PART NO.	THREAD	HEX	A DIA	B	C DIA	R
CLM-6-SNW	M6	10mm	5/8	.47	5/16	3/4
CLM-8-SNW	M8	13mm	3/4	.55	3/8	1
CLM-10-SNW	M10	17mm	7/8	.69	7/16	1-1/4
CLM-12-SNW	M12	19mm	1-1/8	.87	9/16	1-1/2
CLM-16-SNW	M16	24mm	1-3/8	.98	11/16	1-3/4
CLM-20-SNW	M20	30mm	1-5/8	1.18	7/8	2-1/4
CLM-24-SNW	M24	36mm	2	1.41	1	2-3/4

SPHERICAL WASHERS

STEEL: 12L14, CARBURIZED-HARDENED, BLACK OXIDE FINISH
 STAINLESS STEEL: 300-SERIES, PASSIVATED



Two-piece washer that compensates whenever a stud and clamp strap are not perpendicular. The top washer has a convex spherical radius, while the bottom washer has a matching concave spherical radius.



STEEL

PART NO.	BOLT SIZE	A DIA	B DIA	C	D DIA	R
CL-1-SW	1/4 & M6	9/32	5/8	3/16	5/16	3/4
CL-11-SW	5/16 & M8	11/32	3/4	1/4	3/8	1
CL-2-SW	3/8 & M10	13/32	7/8	1/4	7/16	1-1/4
CL-3-SW	1/2 & M12	17/32	1-1/8	5/16	9/16	1-1/2
CL-4-SW	5/8 & M16	21/32	1-3/8		11/16	1-3/4
CL-5-SW	3/4 & M18	25/32	1-5/8	3/8	7/8	2-1/4
CLM-20-SW	M20	.83			7/8	
CL-6-SW	7/8 & M22	15/16	1-3/4	1/2	1	2-1/2
CL-7-SW	1 & M24	1-1/16	2		1-1/8	2-3/4
CL-8-SW	1-1/8	1-3/16	2-1/4		1-1/4	3
CL-9-SW	1-1/4 & M30	1-5/16	2-5/8		1-3/8	
CL-10-SW	1-1/2 & M36	1-9/16	2-7/8	1-5/8		

STAINLESS STEEL

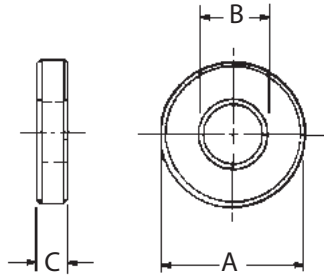
PART NO.	BOLT SIZE	A DIA	B DIA	C	D DIA	R
CL-144	#10 & M5	7/32	1/2	1/8	1/4	3/4
CL-145	1/4 & M6	9/32	5/8	3/16	5/16	
CL-146	5/16 & M8	11/32	13/16	7/32	3/8	1
CL-147	3/8 & M10	13/32	1	1/4	7/16	1-1/4
CL-148	1/2 & M12	17/32	1-1/8	5/16	9/16	1-1/2
CL-149	5/8 & M16	21/32	1-3/8		11/16	1-3/4
CL-150	3/4 & M18	25/32	1-5/8	3/8	7/8	2-1/4

FLAT WASHERS

STEEL: 1010, CARBURIZED-HARDENED, BLACK OXIDE FINISH
 STAINLESS STEEL: 300-SERIES



Thick, heavy-duty washer with both faces held flat and parallel. Available in steel or stainless steel.



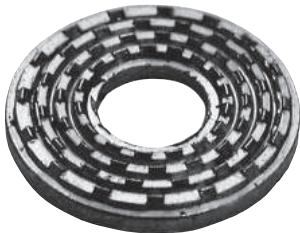
INCH & METRIC

STEEL PART NO.	STAINLESS STEEL PART NO.	BOLT SIZE	A DIA	B DIA	C
—	CL-254	#10 or M5	7/16	7/32	5/64
—	CL-255	1/4 or M6	1/2	9/32	5/64
CL-7-FW	—		5/8		1/8
—	CL-256	5/16 or M8	5/8	11/32	3/32
CL-14-FW	—		3/4		1/8
—	CL-257	3/8 or M10	3/4	13/32	3/32
CL-1-FW	—		7/8		1/8
CL-8-FW	—		1		3/16
CL-2-FW	—	1/2 or M12	1-1/8	17/32	1/8
CL-9-FW	CL-258		3/16		
CL-3-FW	—	5/8 or M16	1-3/8	21/32	1/8
CL-10-FW	CL-259		3/16		
CL-4-FW	—	3/4 or M18	1-5/8	25/32	5/32
CL-11-FW	CL-260		1/4		
CLM-10-FW	—	M20	1-5/8	.827	1/4
CL-13-FW	—	7/8 or M22	1-3/4	29/32	1/4
CL-12-FW	—	1	2	1-1/32	9/32

7

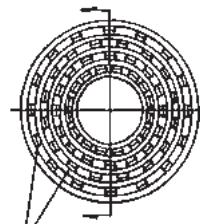
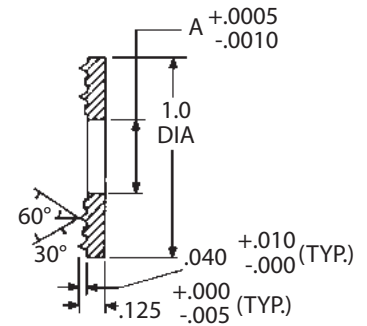
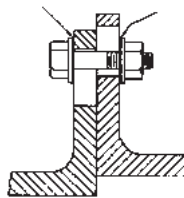
KNURLED-FACE WASHERS

4130 STEEL, HEAT TREATED 125,000-140,000 PSI PER MIL-H-6875, ZINC PLATED YELLOW CHROMATE



Flat washer with a serrated face to prevent two parts from sliding in relation to each other. Close tolerance on washer ID prevents the stud from slipping.

Serrated Washers
Teeth Facing Inward



64 TEETH, 16 EQUALLY SPACED
ON EACH DIAMETER WITH
ALTERNATE ROWS STAGGERED

INCH

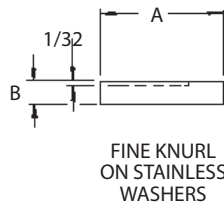
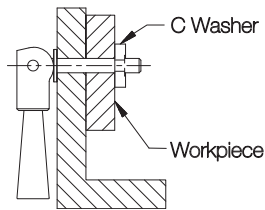
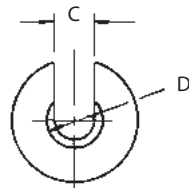
PART NO.	BOLT DIA	A DIA
CL-3-KFW	#10	.1935
CL-4-KFW	1/4	.2500

C WASHERS

STEEL: 12L14, CARBURIZED-HARDENED, BLACK OXIDE FINISH
STAINLESS STEEL: 300-SERIES



Washer that slides in and out of position for clear loading. Can be used with a nut, or by sliding it into a radial groove on a drawbar. Available in steel or stainless steel.

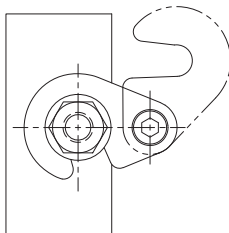
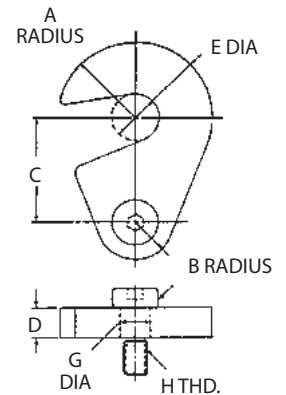
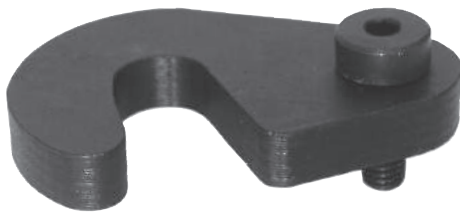


INCH & METRIC

STEEL PART NO.	STAINLESS STEEL PART NO.	BOLT SIZE	A DIA	B	C	D DIA
CL-1-CW	—	#10 or M5	1/2	3/16	13/64	11/32
CL-3-CW	—	—	3/4	1/4	17/64	13/32
—	CL-155	1/4 or M6	7/8	3/16	9/32	25/64
CL-18-CW	—	—	1	1/4	17/64	13/32
CL-5-CW	—	5/16 or M8	1	3/16	21/64	1/2
—	CL-157	—	—	5/16	—	5/8
CL-6-CW	—	—	1-1/4	3/8	13/32	23/32
CL-7-CW	—	3/8 or M10	1-1/2	3/8	—	—
CL-22-CW	—	—	1-3/4	1/4	—	23/32
CL-8-CW	—	—	1-7/8	—	—	—
CL-24-CW	—	1/2 or M12	2-1/4	3/8	17/32	29/32
CL-9-CW	—	—	2-1/8	3/8	—	—
CL-26-CW	—	5/8 or M16	2-1/2	7/16	21/32	1-3/32
CL-11-CW	—	—	2-1/2	7/16	25/32	1-9/32
CL-12-CW	—	3/4 or M18	2-1/2	7/16	1-1/32	1-21/32
CL-15-CW	—	1 or M24	1/2	1/2	1-1/32	1-21/32

SWING C WASHERS

1018 STEEL, CARBURIZED-HARDENED, BLACK OXIDE FINISH



Permanently attached C washer that swings out of the way for clear loading. Can be reversed to swing into position either clockwise or counterclockwise. Shoulder Screw furnished.

INCH

PART NO.	STUD SIZE	A	B	C	D	E DIA	G DIA	H	SHOULDER SCREW (FURNISHED)
CL-1-SCW	3/8	3/4	3/8	1	1/4	13/32	3/8	5/16-18	CL-24-SS
CL-2-SCW	1/2	1	1/2	1-1/4	3/8	17/32			CL-2-SS
CL-3-SCW	5/8	1-1/8	9/16	1-1/2	3/8	21/32	1/2	3/8-16	CL-3-SS
CL-4-SCW	3/4	1-1/4	5/8	1-3/4	1/2	13/16			CL-4-SS

METRIC

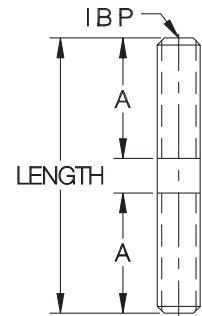
CLM-1-SCW	M10	3/4	3/8	1	.236	13/32	10mm	M8	CLM-1006-SS
CLM-2-SCW	M12	1	1/2	1-1/4	.375	17/32			CLM-1010-SS

CLAMPING STUDS

STEEL: 1144 STEEL, 100,000 PSI MIN. YIELD, 115,000 PSI MIN. TENSILE, BLACK OXIDE FINISH
 STAINLESS STEEL: 300 SERIES



High-strength general-purpose Clamping Stud, for use with a T Nut, or for installation directly into a fixture plate. Available in thread sizes from 1/4-20 to 1"-8 (M6 to M20 in metric), each in a choice of several lengths. Now also available in stainless steel, in 3/8-16, 1/2-13, and 5/8-11 thread sizes (**INFO+**: for smaller stainless sizes, see Fixture Studs, page 319).



STEEL (INCH)

PART NO.	THREAD SIZE	LENGTH	A	
CL-1/4-20X1.50-STUD	1/4-20	1.50	5/8	
CL-1/4-20X2.00-STUD		2.00	7/8	
CL-1/4-20X2.50-STUD		2.50	1	
CL-1/4-20X3.00-STUD		3.00		
CL-1/4-20X3.50-STUD		3.50		
CL-1/4-20X4.00-STUD		4.00		
CL-5/16-18X1.50-STUD	5/16-18	1.50	9/16	
CL-5/16-18X2.00-STUD		2.00	13/16	
CL-5/16-18X2.50-STUD		2.50	1-1/16	
CL-5/16-18X3.00-STUD		3.00	1-1/8	
CL-5/16-18X3.50-STUD		3.50		
CL-5/16-18X4.00-STUD		4.00		
CL-5/16-18X6.00-STUD	6.00			
CL-3/8-16X1.50-STUD	3/8-16	1.50	9/16	
CL-3/8-16X2.00-STUD		2.00	13/16	
CL-3/8-16X2.50-STUD		2.50	1-1/16	
CL-3/8-16X3.00-STUD		3.00	1-1/4	
CL-3/8-16X3.50-STUD		3.50		
CL-3/8-16X4.00-STUD		4.00		
CL-3/8-16X4.50-STUD		4.50		
CL-3/8-16X5.00-STUD		5.00	1-1/2	
CL-3/8-16X5.50-STUD		5.50		
CL-3/8-16X6.00-STUD		6.00		
CL-3/8-16X7.00-STUD		7.00		
CL-3/8-16X8.00-STUD		8.00		
CL-1/2-13X2.00-STUD		1/2-13		2.00
CL-1/2-13X2.50-STUD			2.50	1
CL-1/2-13X3.00-STUD	3.00		1-1/4	
CL-1/2-13X3.50-STUD	3.50		1-1/2	
CL-1/2-13X4.00-STUD	4.00			
CL-1/2-13X4.50-STUD	4.50			
CL-1/2-13X5.00-STUD	5.00			
CL-1/2-13X5.50-STUD	5.50		2	
CL-1/2-13X6.00-STUD	6.00			
CL-1/2-13X6.50-STUD	6.50			
CL-1/2-13X7.00-STUD	7.00			
CL-1/2-13X7.50-STUD	7.50			
CL-1/2-13X8.00-STUD	8.00			
CL-1/2-13X9.00-STUD	9.00	2-1/2		
CL-1/2-13X12.00-STUD	12.00			

STAINLESS STEEL (INCH)

PART NO.	THREAD SIZE	LENGTH	A
CL-1/2-13X2.00-STUD-S	1/2-13	2.00	3/4
CL-1/2-13X3.00-STUD-S		3.00	1-1/4
CL-1/2-13X4.00-STUD-S		4.00	1-1/2
CL-1/2-13X5.00-STUD-S		5.00	

STEEL (INCH) (Cont.)

PART NO.	THREAD SIZE	LENGTH	A		
CL-5/8-11X2.50-STUD	5/8-11	2.50	15/16		
CL-5/8-11X3.00-STUD		3.00	1-3/16		
CL-5/8-11X3.50-STUD		3.50	1-7/16		
CL-5/8-11X4.00-STUD		4.00	1-11/16		
CL-5/8-11X4.50-STUD		4.50	1-3/4		
CL-5/8-11X5.00-STUD		5.00			
CL-5/8-11X5.50-STUD		5.50			
CL-5/8-11X6.00-STUD		6.00			
CL-5/8-11X6.50-STUD		6.50	2		
CL-5/8-11X7.00-STUD		7.00			
CL-5/8-11X7.50-STUD		7.50			
CL-5/8-11X8.00-STUD		8.00			
CL-5/8-11X9.00-STUD	9.00				
CL-5/8-11X10.00-STUD	10.00				
CL-5/8-11X12.00-STUD	12.00	2			
CL-5/8-11X14.00-STUD	14.00				
CL-3/4-10X3.00-STUD	3/4-10	3.00	1-1/8		
CL-3/4-10X3.50-STUD		3.50	1-3/8		
CL-3/4-10X4.00-STUD		4.00	1-5/8		
CL-3/4-10X5.00-STUD		5.00	2		
CL-3/4-10X6.00-STUD		6.00			
CL-3/4-10X7.00-STUD		7.00			
CL-3/4-10X8.00-STUD		8.00			
CL-3/4-10X9.00-STUD		9.00	2		
CL-3/4-10X10.00-STUD		10.00			
CL-3/4-10X12.00-STUD		12.00			
CL-7/8-9X5.00-STUD		7/8-9		5.00	2-1/16
CL-1-8X5.00-STUD		1"-8		5.00	2
CL-1-8X6.00-STUD	6.00				
CL-1-8X8.00-STUD	8.00		2-1/2		
CL-1-8X10.00-STUD	10.00				

STEEL (METRIC)

PART NO.	THREAD SIZE	LENGTH	A
CLM-6X-50-STUD	M6	1.97 (50mm)	.87
CLM-6X-65-STUD		2.56 (65mm)	1.06
CLM-8X-50-STUD	M8	1.97 (50mm)	.83
CLM-8X-65-STUD		2.56 (65mm)	1.14
CLM-10X-50-STUD	M10	1.97 (50mm)	.79
CLM-10X-80-STUD		3.15 (80mm)	1.22
CLM-10X-95-STUD		3.15 (80mm)	1.38
CLM-10X-110-STUD		3.74 (95mm)	
CLM-10X-110-STUD		4.33 (110mm)	
CLM-10X-125-STUD		4.92 (125mm)	
CLM-10X-150-STUD		5.91 (150mm)	
CLM-10X-175-STUD		6.89 (175mm)	
CLM-10X-200-STUD		7.87 (200mm)	
CLM-12X-65-STUD		M12	2.56 (65mm)
CLM-12X-80-STUD	3.15 (80mm)		1.34
CLM-12X-95-STUD	3.74 (95mm)		1.54
CLM-12X-110-STUD	4.33 (110mm)		
CLM-12X-125-STUD	4.92 (125mm)		
CLM-12X-150-STUD	5.91 (150mm)		
CLM-12X-175-STUD	6.89 (175mm)		
CLM-12X-200-STUD	7.87 (200mm)		
CLM-16X-80-STUD	M16	3.15 (80mm)	1.26
CLM-16X-95-STUD		3.74 (95mm)	1.56
CLM-16X-110-STUD		4.33 (110mm)	1.85
CLM-16X-125-STUD		4.92 (125mm)	
CLM-16X-150-STUD		5.91 (150mm)	
CLM-16X-175-STUD		6.89 (175mm)	
CLM-16X-200-STUD		7.87 (200mm)	
CLM-20X-80-STUD		M20	3.15 (80mm)
CLM-20X-95-STUD	3.74 (95mm)		1.48
CLM-20X-110-STUD	4.33 (110mm)		1.77
CLM-20X-125-STUD	4.92 (125mm)		2.07
CLM-20X-150-STUD	5.91 (150mm)		2.17
CLM-20X-175-STUD	6.89 (175mm)		
CLM-20X-200-STUD	7.87 (200mm)		

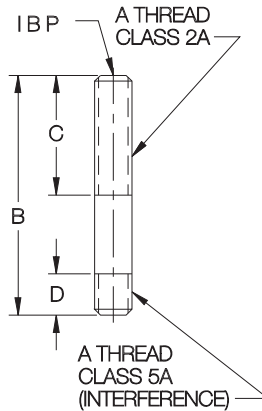
FIXTURE STUDS

300-SERIES STAINLESS STEEL, PASSIVATED



Stainless Steel

Fixture Studs have a thread-locking interference thread at the bottom end to install permanently in a fixture plate. These small sizes are designed specifically for mini-size stainless steel clamp straps. Available in thread sizes from #10-32 to 3/8-16, each in a choice of several lengths.

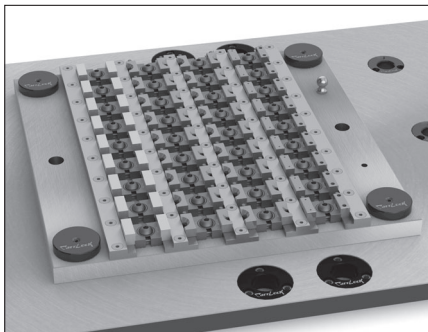


INCH

PART NO.	A	B	C	D
CL-11415	#10-32	1-1/2	3/4	7/32
CL-11515	1/4-20	1-1/2	5/8	9/32
CL-11520		2	3/4	
CL-11530		3	1	
CL-11615	5/16-18	1-1/2	5/8	11/32
CL-11620		2	1	
CL-11625		2-1/2	1-1/4	
CL-11715	3/8-16	1-1/2	3/4	11/32
CL-11725		2-1/2	1-1/4	
CL-11730		3	1-3/8	
CL-11740		4	1-1/2	

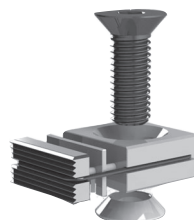
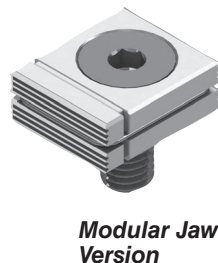
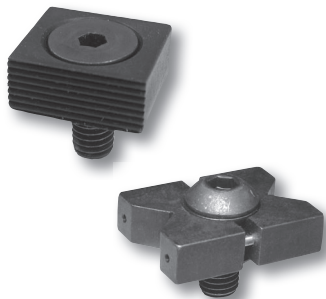
TINY VISE® Edge Clamps

Perfect for High Density Machining!



**Strong Clamping Action
For Fixturing Small Parts**

- Clamping force is applied with the easy turn of a hex wrench
- Only Tiny Vise® Edge Clamps truly exert down thrust force on the workpiece, to prevent it from lifting
- Patented, more durable than similar clamps
- Wide range of sizes. Standard versions include regular single, v-jaw single, regular double, and v-jaw double.
- Newer versions include low profile and modular jaw styles.



See Pages 282-290

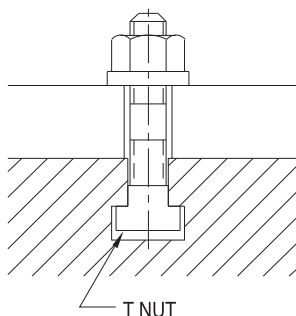
T NUTS

STEEL: MILD STEEL, CARBURIZED-HARDENED, BLACK OXIDE FINISH
 STAINLESS: 300-SERIES STAINLESS STEEL, PASSIVATED



Sizes for all standard machine tables. Safety-stop feature prevents breaking the machine-table slot. Threads stop one short of going through T Nut to prevent a stud from jacking the nut out of the table.

7



STEEL (INCH)

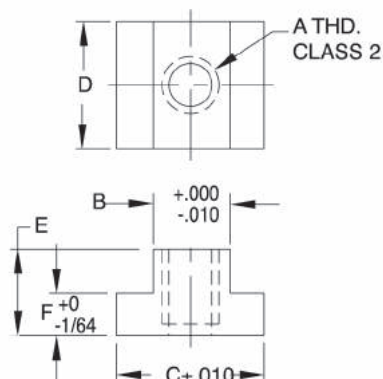
PART NO.	TABLE SLOT SIZE	A	B	C	D	E	F	
CL-26-TN	5/16 or 8mm	1/4-20	.307	9/16	9/16	1/4	3/16	
CL-18-TN	3/8 or 10mm	1/4-20	.370	5/8	7/8	7/16	7/32	
CL-19-TN		5/16-18						
CL-20-TN	7/16	5/16-18	.432	11/16	7/8	1/2		
CL-00-TN		3/8-16						
CL-12-TN	12mm	3/8-16	.467	3/4	3/4	1/2	17/64	
CL-21-TN	1/2	5/16-18	.495	7/8	7/8	1/2	9/32	
CL-0-TN		3/8-16						
CL-1-TN	9/16 or 14mm	3/8-16	.550		7/8	7/8	1/2	5/16
CL-9-TN		1/2-13						
CL-16-TN	5/8 or 16mm	3/8-16	.620	1	1-1/8	5/8	11/32	
CL-2-TN		1/2-13						
CL-3-TN	11/16 or 18mm	1/2-13	.682	1-1/8	1-1/4	3/4	7/16	
CL-10-TN		5/8-11	.682					
CL-10A-TN			.675					
CL-17-TN	3/4	1/2-13	.745	1-1/4	1-1/4	3/4	15/32	
CL-4-TN		5/8-11						
CL-14-TN	20mm	5/8-11	.782	1-1/4	1-1/4	7/8		
CL-5-TN	13/16	5/8-11	.807					1-1/4
CL-11-TN		3/4-10						
CL-15-TN	22mm	3/4-10	.861	1-1/4	1-1/2	1	1/2	
CL-6-TN	7/8	3/4-10	.870	1-1/2	1-1/2	1	9/16	
CL-7-TN	1	3/4-10	.995	1-5/8	1-3/4	1	5/8	
CL-22-TN		7/8-9						
CL-8-TN	1-1/16	3/4-10	1.057		2	1-1/8	11/16	
CL-23-TN		7/8-9						
CL-24-TN	1-1/8	7/8-9	1.120	1-3/4	2	1-1/2	3/4	
CL-25-TN		1"-8						

STAINLESS STEEL (INCH)

PART NO.	TABLE SLOT SIZE	A	B	C	D	E	F
CL-00-STN	7/16	3/8-16	.432	11/16	7/8	1/2	7/32
CL-0-STN	1/2		.495	7/8	7/8	1/2	9/32
CL-1-STN	9/16 or 14mm	3/8-16	.550	7/8	7/8	1/2	5/16
CL-9-STN		1/2-13					
CL-2-STN	5/8 or 16mm	1/2-13	.620	1	1-1/8	5/8	11/32
CL-3-STN	11/16 or 18mm	1/2-13	.682	1-1/8	1-1/4	3/4	7/16
CL-10-STN		5/8-11					

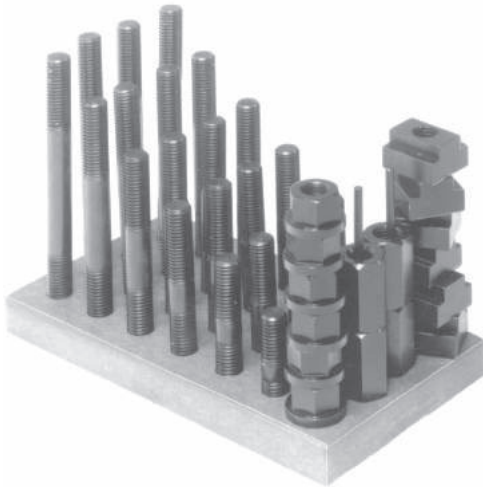
STEEL (METRIC)

PART NO.	TABLE SLOT SIZE	A	B	C	D	E	F
CLM-26-TN	5/16 or 8mm	M6	.307	9/16	9/16	1/4	3/16
CLM-18-TN	3/8 or 10mm	M6	.370	5/8	7/8	7/16	7/32
CLM-19-TN		M8					
CLM-00-TN	12mm	M10	.467	3/4	3/4	1/2	17/64
CLM-0-TN	1/2		.495	7/8	7/8	1/2	9/32
CLM-1-TN	9/16 or 14mm	M10	.546	7/8	7/8	5/8	5/16
CLM-9-TN		M12					
CLM-2-TN	5/8 or 16mm	M12	.620	1	1-1/8	5/8	11/32
CLM-3-TN	11/16 or 18mm	M12	.682	1-1/8	1-1/4	3/4	7/16
CLM-10-TN		M16					
CLM-4-TN	20mm	M16	.782	1-1/4	1-1/4	7/8	15/32
CLM-5-TN	13/16		.807				
CLM-6-TN	22mm	M20	.861	1-1/4	1-1/2	1	1/2



T NUT & STUD SETS

INFO+: SEE PAGES 305, 310 AND 312 FOR MATERIAL SPECIFICATIONS



INCH

PART NO.	TABLE SLOT SIZE	STUDS (24)	T NUTS (6)	FLANGE NUTS (6)	COUPLING NUTS (4)	HOLDER (1)
CL-1-TNS	7/16	3/8-16	CL-00-TN	CL-2-FN	CL-1-CN	CL-1-TNH
CL-14-TNS	12mm		CL-12-TN			
CL-2-TNS	1/2		CL-0-TN			
CL-3-TNS	9/16 or 14mm	3/8-16	CL-1-TN	CL-2-FN	CL-1-CN	CL-1-TNH
CL-4-TNS		1/2-13	CL-9-TN	CL-3-FN	CL-2-CN	CL-2-TNH
CL-17-TNS	5/8 or 16mm	3/8-16	CL-16-TN	CL-2-FN	CL-1-CN	CL-1-TNH
CL-5-TNS		1/2-13	CL-2-TN	CL-3-FN	CL-2-CN	CL-2-TNH
CL-6-TNS	11/16 or 18mm	1/2-13	CL-3-TN	CL-3-FN	CL-2-CN	CL-2-TNH
CL-7-TNS		5/8-11	CL-10-TN	CL-4-FN	CL-3-CN	CL-3-TNH
CL-18-TNS	3/4	1/2-13	CL-17-TN	CL-3-FN	CL-2-CN	CL-2-TNH
CL-8-TNS		5/8-11	CL-4-TN	CL-4-FN	CL-3-CN	CL-3-TNH
CL-15-TNS	20mm	CL-14-TN				
CL-9-TNS	13/16	5/8-11	CL-5-TN	CL-4-FN	CL-3-CN	CL-3-TNH
CL-10-TNS		3/4-10	CL-11-TN	CL-5-FN	CL-4-CN	CL-4-TNH
CL-16-TNS	22mm	3/4-10	CL-15-TN	CL-5-FN	CL-4-CN	CL-4-TNH
CL-11-TNS	7/8		CL-6-TN			
CL-12-TNS	1		CL-7-TN			
CL-13-TNS	1-1/16		CL-8-TN			

40-piece set includes a complete range of stud lengths with matching T Nuts, Flange Nuts, and Coupling Nuts — all mounted in a handy wooden holder.

Set includes:

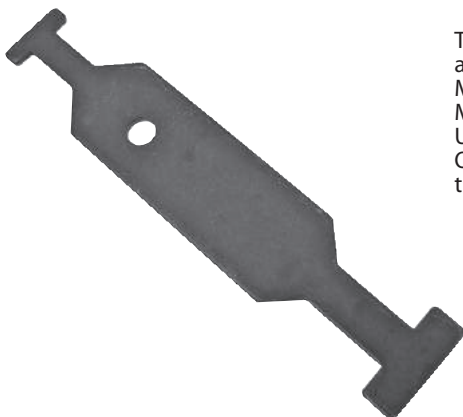
- (4) Studs of each length 3", 4", 5", 6", 7", 8", or 80, 95, 125, 150, 175, 200mm
- (6) T Nuts
- (6) Flange Nuts
- (4) Coupling Nuts
- (1) Handy Holder

METRIC

PART NO.	TABLE SLOT SIZE	STUDS (24)	T NUTS (6)	FLANGE NUTS (6)	COUPLING NUTS (4)	HOLDER (1)
CLM-1-TNS	12mm	M10	CLM-00-TN	CLM-10-FN	CLM-10-CN	CL-1-TNH
CLM-2-TNS	1/2		CLM-0-TN			
CLM-3-TNS	9/16 or 14mm	M10	CLM-1-TN	CLM-10-FN	CLM-10-CN	CL-1-TNH
CLM-4-TNS		M12	CLM-9-TN	CLM-12-FN	CLM-12-CN	CL-2-TNH
CLM-5-TNS	5/8 or 16mm	M12	CLM-2-TN	CLM-12-FN	CLM-12-CN	CL-2-TNH
CLM-6-TNS	11/16 or 18mm	M12	CLM-3-TN	CLM-12-FN	CLM-12-CN	CL-2-TNH
CLM-7-TNS		M16	CLM-10-TN	CLM-16-FN	CLM-16-CN	CL-3-TNH
CLM-8-TNS	20mm	M16	CLM-4-TN	CLM-16-FN	CLM-16-CN	CL-3-TNH
CLM-9-TNS	13/16		CLM-5-TN			
CLM-11-TNS	22mm	M20	CLM-6-TN	CLM-20-FN	CLM-20-CN	CL-4-TNH

T-SLOT CLEANERS

MILD STEEL, CARBURIZED-HARDENED, BLACK OXIDE FINISH

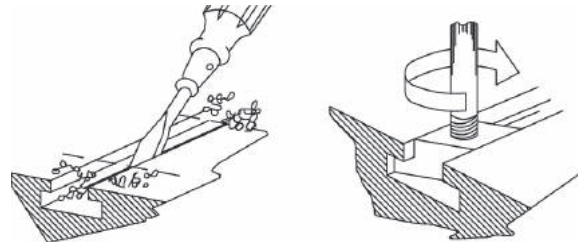
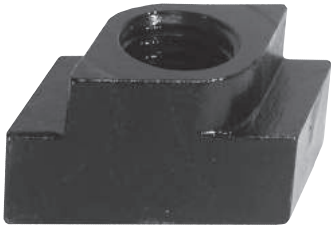


This handy tool is ideal for cleaning chips and debris out of machine-table T Slots. Much safer than blowing chips out with air. Made of heat treated steel, a full .109" thick. Use for any T Slot 3/8" (10mm) and above. One end is sized for smaller T Slots, while the other end is sized for larger T Slots.

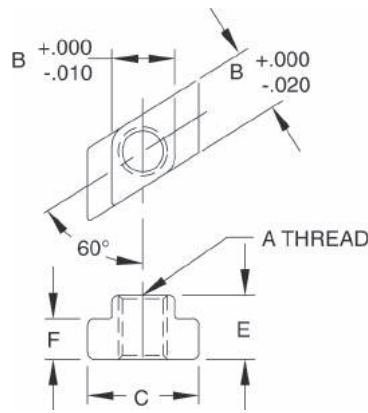
PART NO.	OVERALL LENGTH	THICKNESS
CL-1-TSCL	6	.109

ROTARY T NUTS

ALLOY STEEL, RC 40-45, BLACK OXIDE FINISH



Rotary T Nuts can be inserted into the top of a T slot, unlike normal T Nuts, which must be inserted at the end of the slot. This allows adding T Nuts and Studs anywhere for a new setup, without tearing down any existing setups. Make sure that the area where the Rotary T Nut will be inserted is clear of debris, to allow the T Nut to rotate a full 60 degrees. Same safety-stop thread feature as standard T Nuts.



INCH

PART NO.	TABLE SLOT SIZE	A	B	C	E	F
CL-0-RTN	1/2	3/8-16	.495	7/8	1/2	9/32
CL-9-RTN	9/16	1/2-13	.560	7/8	5/8	11/32
CL-2-RTN	5/8 or 16mm	1/2-13	.620	1	5/8	11/32
CL-3-RTN	11/16 or 18mm	1/2-13	.682	1-1/8	3/4	7/16
CL-10-RTN		5/8-11				
CL-4-RTN	3/4 or 20mm	5/8-11	.745	1-1/4	3/4	15/32
CL-7-RTN	1	3/4-10	.995	1-5/8	1	5/8

METRIC

PART NO.	TABLE SLOT SIZE	A	B	C	E	F
CLM-0-RTN	1/2	M10	.495	7/8	1/2	9/32
CLM-9-RTN	9/16 or 14mm	M12	.550	7/8	5/8	11/32
CLM-2-RTN	5/8 or 16mm	M12	.620	1	5/8	11/32
CLM-3-RTN	11/16 or 18mm	M12	.682	1-1/8	3/4	7/16
CLM-10-RTN		M16				
CLM-4-RTN	3/4 or 20mm	M16	.745	1-1/4	3/4	15/32

7

ROTARY T NUT AND STUD SETS

INFO+: SEE PAGES 313, 318 AND 320 FOR MATERIAL SPECIFICATIONS



40-piece set includes a complete range of stud lengths with matching T Nuts, Flange Nuts, and Coupling Nuts — all mounted in a handy wooden holder. Set includes:

- (4) Studs of each length 3", 4", 5", 6", 7" and 8" (80, 95, 125, 150, 175, and 200mm in metric)
- (6) Rotary T Nuts
- (6) Flange Nuts
- (4) Coupling Nuts

INCH

PART NO.	TABLE SLOT SIZE	STUDS (24)	ROTARY T NUTS (6)	FLANGE NUTS (6)	COUPLING NUTS (4)	HOLDER (1)
CL-2-RTNS	1/2	3/8-16	CL-0-RTN	CL-2-FN	CL-1-CN	CL-1-TNH
CL-4-RTNS	9/16 or 14mm	1/2-13	CL-9-RTN	CL-3-FN	CL-2-CN	CL-2-TNH
CL-5-RTNS	5/8 or 16mm	1/2-13	CL-2-RTN	CL-3-FN	CL-2-CN	CL-2-TNH
CL-6-RTNS	11/16 or 18mm	1/2-13	CL-3-RTN	CL-3-FN	CL-2-CN	CL-2-TNH
CL-7-RTNS		5/8-11	CL-10-RTN	CL-4-FN	CL-3-CN	CL-3-TNH
CL-8-RTNS	3/4 or 20mm	5/8-11	CL-4-RTN	CL-4-FN	CL-3-CN	CL-3-TNH
CL-12-RTNS	1	3/4-10	CL-7-RTN	CL-5-FN	CL-4-CN	CL-4-TNH

METRIC

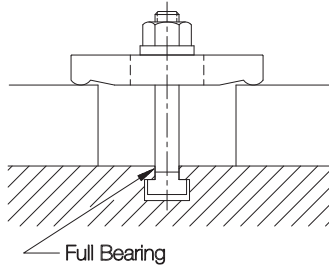
PART NO.	TABLE SLOT SIZE	STUDS (24)	ROTARY T NUTS (6)	FLANGE NUTS (6)	COUPLING NUTS (4)	HOLDER (1)
CLM-2-RTNS	1/2	M10	CLM-0-RTN	CLM-10-FN	CLM-10-CN	CL-1-TNH
CLM-4-RTNS	9/16 or 14mm	M12	CLM-9-RTN	CLM-12-FN	CLM-12-CN	CL-2-TNH
CLM-5-RTNS	5/8 or 16mm	M12	CLM-2-RTN	CLM-12-FN	CLM-12-CN	CL-2-TNH
CLM-6-RTNS	11/16 or 18mm	M12	CLM-3-RTN	CLM-12-FN	CLM-12-CN	CL-2-TNH
CLM-7-RTNS		M16	CLM-10-RTN	CLM-16-FN	CLM-16-CN	CL-3-TNH
CLM-8-RTNS	3/4 or 20mm	M16	CLM-4-RTN	CLM-16-FN	CLM-16-CN	CL-3-TNH

T-SLOT BOLTS

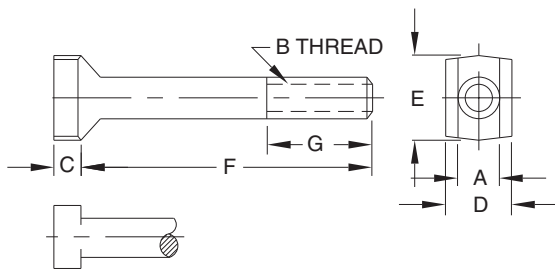
FORGED 1045 STEEL, BLACK OXIDE FINISH



T-Slot Bolt

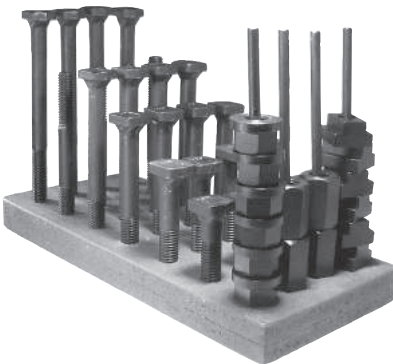


High-strength bolt for T-slotted machine tables. Full bearing surfaces prevent twisting or jamming in table slots. Available in thread sizes from 3/8-16 to 3/4-10, each in a choice of several lengths.



T-SLOT BOLTS (INCH)

PART NO.	B THREAD	A	FITS TABLE SLOTS	C	D	E	F LENGTH	G	
CL-6-TSB-1.00	3/8-16	3/8	3/8 7/16 10mm 12mm	3/16	5/8	13/16	1.00	.62	
CL-6-TSB-1.50							1.50	1.00	
CL-6-TSB-2.00							2.00	1.25	
CL-6-TSB-2.50							2.50	1.50	
CL-6-TSB-3.00							3.00		
CL-6-TSB-3.50							3.50		
CL-6-TSB-4.00	4.00								
CL-8-TSB-1.50	1/2-13	1/2	1/2 9/16 5/8 14mm 16mm	1/4	13/16	15/16	1.50	1.00	
CL-8-TSB-2.00							2.00	1.25	
CL-8-TSB-2.50							2.50	1.50	
CL-8-TSB-3.00							3.00		
CL-8-TSB-3.50							3.50		
CL-8-TSB-4.00							4.00		
CL-8-TSB-5.00							5.00		2.00
CL-8-TSB-6.00							6.00		2.00
CL-10-TSB-1.50	5/8-11	5/8	5/8 11/16 3/4 18mm 20mm	5/16	1-1/32	1-3/16	1.50	1.00	
CL-10-TSB-2.00							2.00	1.25	
CL-10-TSB-2.50							2.50	1.50	
CL-10-TSB-3.00							3.00		
CL-10-TSB-3.50							3.50		
CL-10-TSB-4.00							4.00		
CL-10-TSB-5.00							5.00	2.00	
CL-10-TSB-6.00							6.00	2.00	
CL-10-TSB-8.00							8.00	3.00	
CL-12-TSB-3.00							3/4-10	3/4	3/4 13/16 20mm 22mm
CL-12-TSB-3.50	3.50								
CL-12-TSB-4.00	4.00								
CL-12-TSB-5.00	5.00	2.00							
CL-12-TSB-6.00	6.00	2.00							
CL-12-TSB-8.00	8.00	3.00							



T-Slot Bolt Kit

34-piece set includes a complete range of T-Slot Bolt lengths, with matching extension Studs, Flange Nuts, and Coupling Nuts. Set includes:

- (4) T-Slot Bolts in each of five different lengths
- (4) Studs
- (6) Flange Nuts
- (4) Coupling Nuts
- (1) Handy Holder

T-SLOT BOLT KITS (INCH)

PART NO.	FITS TABLE SIZES	T-SLOT BOLTS (4 EACH)	STUDS (4)	FLANGE NUTS (6)	COUPLING NUTS (4)	HOLDER (1)
CL-6-TSBK	3/8, 7/16, 1/2 10mm, 12mm	CL-6-TSB-1.50 CL-6-TSB-2.00 CL-6-TSB-2.50 CL-6-TSB-3.00 CL-6-TSB-4.00	CL-3/8-16X4.00-STUD	CL-2-FN	CL-1-CN	CL-1-TNH
CL-8-TSBK	1/2, 9/16, 5/8 14mm, 16mm	CL-8-TSB-2.00 CL-8-TSB-3.00 CL-8-TSB-4.00 CL-8-TSB-5.00 CL-8-TSB-6.00	CL-1/2-13X5.00-STUD	CL-3-FN	CL-2-CN	CL-2-TNH
CL-10-TSBK	5/8, 11/16, 3/4 16mm, 18mm	CL-10-TSB-3.00 CL-10-TSB-4.00 CL-10-TSB-5.00 CL-10-TSB-6.00 CL-10-TSB-8.00	CL-5/8-11X6.00-STUD	CL-4-FN	CL-3-CN	CL-3-TNH
CL-12-TSBK	3/4, 13/16 20mm, 22mm	CL-12-TSB-3.00 CL-12-TSB-4.00 CL-12-TSB-5.00 CL-12-TSB-6.00 CL-12-TSB-8.00	CL-3/4-10X7.00-STUD	CL-5-FN	CL-4-CN	CL-4-TNH

7

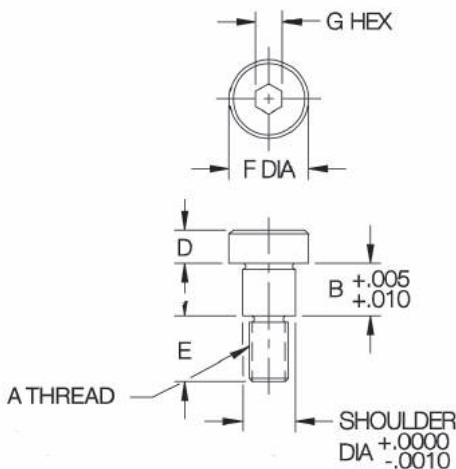
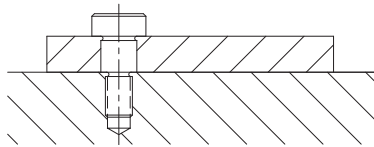
SHOULDER SCREWS

ALLOY STEEL, HEAT TREATED RC 32-43, BLACK OXIDE FINISH



Precision close-tolerance Shoulder Screw. Shoulder diameter is ground to a closer tolerance than ordinary stripper bolts for better bearing action. Shoulder length is held to a plus tolerance to allow a nominal-size plate to rotate freely underneath the head.

7



INCH

PART NO.	SHOULDER DIA		A	B		D	E	F DIA	G
	NOMINAL	ACTUAL		NOMINAL	ACTUAL				
CL-5-SS	1/4	.2500	#10-24	1/4	.2500	3/16	3/8	3/8	1/8
CL-12-SS				3/8	.3750				
CL-13-SS				1/2	.500				
CL-37-SS				5/8	.6250				
CL-15-SS				3/4	.750				
CL-16-SS				1	1.0000				
CL-1-SS	5/16	.3125	1/4-20	1/4	.2500	7/32	7/16	7/16	5/32
CL-6-SS				5/16	.3125				
CL-11-SS				3/8	.3750				
CL-20-SS				1/2	.5000				
CL-21-SS				5/8	.6250				
CL-7-SS				3/4	.7500				
CL-8-SS	1	1.0000							
CL-24-SS	3/8	.3750	5-16-18	1/4	.2500	1/4	1/2	9/16	3/16
CL-2-SS				3/8	.3750				
CL-14-SS				1/2	.5000				
CL-9-SS				5/8	.6250				
CL-10-SS				3/4	.7500				
CL-47-SS				1	1.0000				
CL-3-SS	1/2	.5000	3/8-16	3/8	.3750	5/16	5/8	3/4	1/4
CL-4-SS				1/2	.5000				
CL-31-SS				5/8	.6250				
CL-32-SS				3/4	.7500				
CL-46-SS				1	1.0000				
CL-33-SS				1/2	.5000				
CL-34-SS	5/8	.6250							
CL-35-SS	3/4	.7500							
CL-36-SS	1	1.0000							
CL-38-SS	1/2	.5000							
CL-39-SS	3/4	.7500	1/2	7/8	1	3/8			
CL-40-SS	1	1.0000							

METRIC

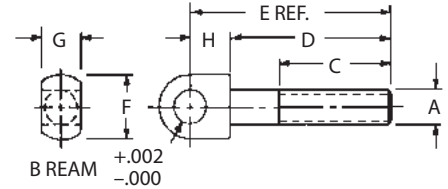
CLM-806-SS	8mm	.3150	M6	6mm	.2362	.22	.44	.51	4mm
CLM-808-SS				8mm	.3150				
CLM-810-SS				10mm	.3937				
CLM-812-SS				12mm	.4724				
CLM-816-SS				16mm	.6299				
CLM-820-SS				20mm	.7874				
CLM-1006-SS	10mm	.3937	M8	6mm	.2362	.28	.52	.63	5mm
CLM-1008-SS				8mm	.3150				
CLM-1010-SS				10mm	.3937				
CLM-1012-SS				12mm	.4724				
CLM-1016-SS				16mm	.6299				
CLM-1020-SS				20mm	.7874				
CLM-1310-SS	13mm	.5118	M10	10mm	.3937	.35	.65	.71	6mm
CLM-1312-SS				12mm	.4724				
CLM-1316-SS				16mm	.6299				
CLM-1320-SS				20mm	.7874				
CLM-1610-SS	16mm	.6299	M12	10mm	.3937	.43	.72	.94	8mm
CLM-1612-SS				12mm	.4724				
CLM-1616-SS				16mm	.6299				
CLM-1620-SS				20mm	.7874				
CLM-2016-SS	20mm	.7874	M16	16mm	.6299	.55	.88	1.18	10mm
CLM-2020-SS				20mm	.7874				
CLM-2025-SS				25mm	.9843				

SWING BOLTS

STEEL: 1144, 115,000 PSI MIN. TENSILE STRENGTH, 100,000 PSI MIN. YIELD STRENGTH, BLACK OXIDE FINISH

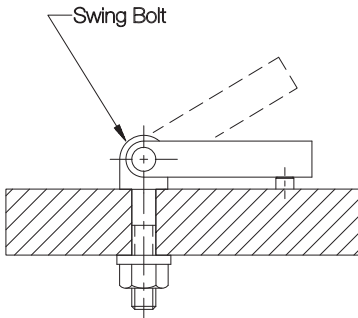


Shoulder-type Eye Bolt that can be used as a stationary hinge point. Reamed hole for smooth bearing.



INCH

PART NO.	A	B DIA		C	D	E	F DIA	G		H
		NOMINAL	ACTUAL					NOMINAL	ACTUAL	
CL-00-SB	1/4-20	1/4	.250	3/4	1-3/16	1-1/2	1/2	5/16	.312	5/16
CL-0-SB	5/16-18	5/16	.312	1	1-5/8	2	5/8	3/8	.375	3/8
CL-1-SB	3/8-16	3/8	.375	1-3/8	2	2-1/2	3/4	1/2	.500	1/2
CL-2-SB	1/2-13	1/2	.500	1-3/4	2-1/2	3-1/8	1	5/8	.625	5/8
CL-2A-SB				2-1/4	3-1/2	4-1/8				
CL-3-SB	5/8-11	5/8	.625	1-3/4	2-3/4	3-1/2	1-1/4	3/4	.750	3/4
CL-3A-SB				2-1/2	4	4-3/4				

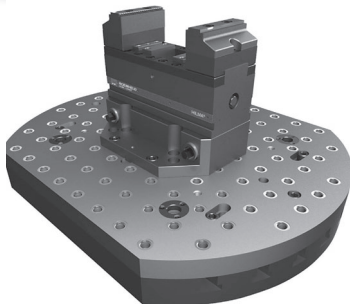


METRIC

CLM-00-SB	M6	6mm	.236	.79	1.18	1.57	.47	8mm	.315	.39
CLM-0-SB	M8	8mm	.315	.98	1.57	1.96	.63	10mm	.394	
CLM-1-SB	M10	10mm	.394	1.38	1.97	2.56	.79	12mm	.472	.59
CLM-2B-SB	M12	12mm	.472	1.77	2.56	3.15	.94	14mm	.551	.59
CLM-2C-SB				2.17	3.54	4.13				
CLM-3-SB	M16	16mm	.630	1.77	2.76	3.55	1.26	18mm	.709	.79
CLM-3A-SB				2.56	3.94	4.73				



5-Axis Workholding



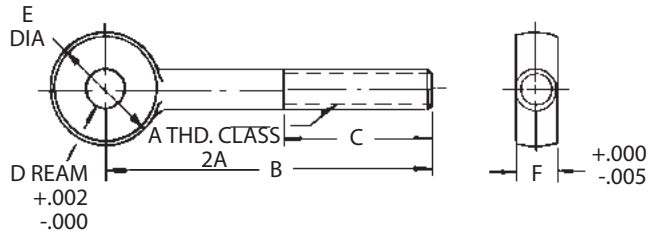
Quick-Change With No Adaptor Plates, Blocks Or Pallets Necessary

- Quintus fixture plates available as blank, or with multi-function holes
- German-built, extremely accurate precision vises
- Allows unrestricted tool access for multiple-side machining
- Numerous jaw types and sizes available

SEE PAGES 373-394

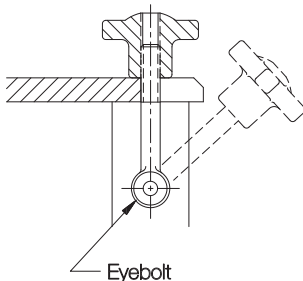
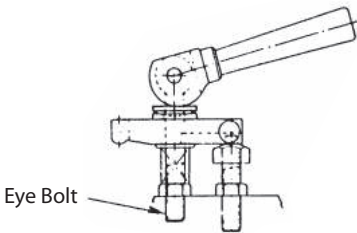
EYE BOLTS

STEEL: 1144, 115,000 PSI MIN. TENSILE STRENGTH, 100,000 PSI MIN. YIELD STRENGTH, BLACK OXIDE FINISH
 STAINLESS STEEL: 300 SERIES



High-strength Eye Bolt with a reamed bearing hole. High-carbon steel, fully machined from solid barstock. Also available in stainless steel. Available in other lengths and materials as a special.

7



INCH

PART NO. STEEL	PART NO. STAINLESS STEEL	A	D DIA		B	C	E	F	
			NOMINAL	ACTUAL				NOMINAL	ACTUAL
CL-25-EB	CL-25-EB-S	1/4-20	3/16	.188	2	3/4	1/2	1/4	.250
CL-26-EB	CL-26-EB-S				3	1-1/4			
CL-31-EB	CL-31-EB-S	5/16-18	1/4	.250	3	1-1/2	5/8	5/16	.312
CL-32-EB	—				4	2			
CL-38-EB	—	3/8-16	5/16	.312	3	1-1/2	3/4	3/8	.375
CL-40-EB	CL-40-EB-S				3	1-1/2			
CL-37-EB	—				3-3/4	2			
CL-39-EB	CL-39-EB-S				5	2-1/2			
CL-50-EB	CL-50-EB-S	1/2-13	3/8	.375	3-3/4	1-1/2	1	1/2	.500
CL-51-EB	CL-51-EB-S				5	2			
CL-62-EB	—	5/8-11	5/8	.625	4-1/2	2	1-1/4	5/8	.625
CL-63-EB	—				6	2-1/2			
CL-75-EB	—	3/4-10	5/8	.625	6	2-1/2	1-1/2	3/4	.750
CL-76-EB	—				3/4	.750			

METRIC

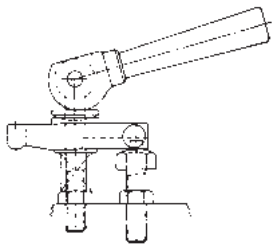
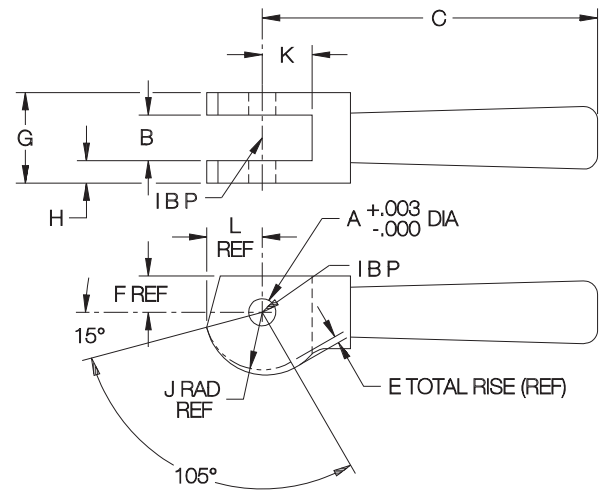
CLM-25A-EB	—	M6	6mm	.236	1.97	.79	.47	6mm	.236
CLM-26A-EB	—				2.95	1.18			
CLM-31A-EB	—	M8	8mm	.315	2.95	1.57	.63	8mm	.315
CLM-40-EB	—	M10	10mm	.394	—	—	.79	10mm	.394
CLM-37-EB	—				3.94	1.97			
CLM-39-EB	—				4.92	2.56			
CLM-50A-EB	—				3.94	1.57			
CLM-51A-EB	—	M12	12mm	.472	4.92	1.97	.94	12mm	.472
CLM-62-EB	—	M16	16mm	.630	4.53	1.97	1.26	16mm	.630
CLM-76A-EB	—	M20	20mm	.787	5.91	2.56	1.57	20mm	.787

CAM HANDLES

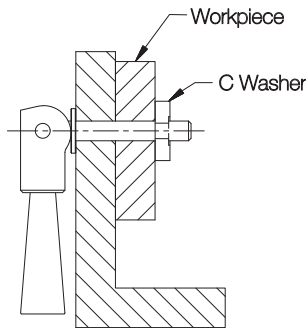
1020 STEEL, CARBURIZED-HARDENED BLACK OXIDE FINISH



Straddle-type cam handle that can be used with an Eyebolt or custom-made drawbar. Continuous-rise spiral cam locks securely in any position. Available in six inch and five metric sizes.



Double Cams are used with Eyebolts on Slotted-Heel Clamp Assemblies. **INFO+**: See page 265.



INCH

PART NO.	MATCHING EYEBOLT SIZE	A DIA		B		C	E	F	G	H	J	K	L	CLEVIS PIN REQD
		NOMINAL	ACTUAL	NOMINAL	ACTUAL									
CL-11-CH	1/4-20	3/16	.188	1/4	.266	2-17/32	.046	1/4	5/8	3/16	.40	.33	.38	CL-610-CLVP
CL-11A-CH	5/16-18	1/4	.250	5/16	.328									5/32
CL-12-CH	3/8-16	5/16	.313	3/8	.390	3-13/16	.062	5/16	7/8	1/4	.52	.54	.50	CL-1014-CLVP
CL-13-CH	1/2-13	3/8	.376	1/2	.516	4-5/8	.094	1/2	1-1/8	5/16	.79	.69	.76	CL-1218-CLVP
CL-14-CH	5/8-11	5/8	.626	5/8	.641	4-15/16	.109	9/16	1-1/4		.92	.85	.89	CL-2020-CLVP
CL-15-CH	3/4-10	5/8	.626	3/4	.766	5-1/8	.141	5/8	1-1/2	3/8	1.19	1.00	1.15	CL-2024-CLVP

METRIC

CLM-11-CH	M6	6mm	.237	6mm	.266	2-17/32	.046	1/4	5/8	3/16	.40	.33	.38	CLM-616-CLVP
CLM-12-CH	M10	10mm	.395	10mm	.409	3-13/16	.062	5/16	7/8	1/4	.52	.54	.50	CLM-1023-CLVP
CLM-13-CH	M12	12mm	.473	12mm	.516	4-5/8	.094	1/2	1-1/8	5/16	.79	.69	.76	CLM-1229-CLVP
CLM-14-CH	M16	16mm	.631	16mm	.641	4-15/16	.109	9/16	1-1/4		.92	.85	.89	CLM-1632-CLVP
CLM-15-CH	M20	20mm	.788	20mm	.803	5-1/8	.141	5/8	1-1/2	3/8	1.19	1.00	1.15	CLM-2038-CLVP

Air Gap Sensors Giving You Trouble?



Here's Your Solution:

Air Rest Buttons

carrlane.com/arb

Take the guesswork out of loading your parts. Whether you run your operations with robot or human guidance, Carr Lane Manufacturing's Air Rest Buttons deliver feedback with every load.

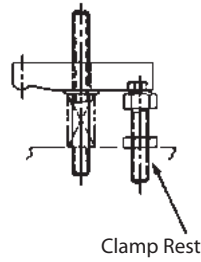
See Pages 222-223

CLAMP RESTS

STEEL: 12L14, CARBURIZED-HARDENED, BLACK OXIDE FINISH
STAINLESS STEEL: 300 SERIES



Steel



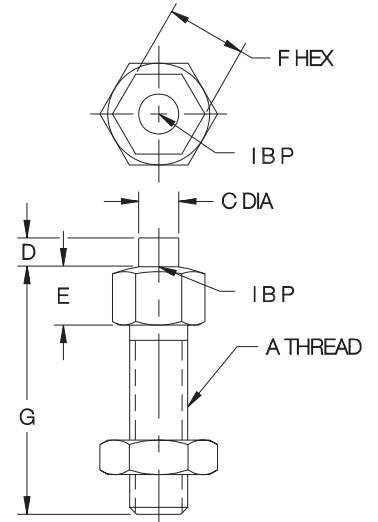
Clamp Rest

STEEL (INCH)

PART NO.	A	C DIA	D	E	F	G
CL-1-CR	1/4-20	5/32	1/8	1/4	7/16	1-1/8
CL-1A-CR	5/16-18	7/32	3/16	5/16	1/2	1-11/16
CL-1A-CR						2-7/16
CL-2-CR	3/8-16	11/32	7/32	3/8	9/16	2-1/32
CL-3-CR						3-21/32
CL-4-CR	1/2-13	11/32	1/4	1/2	11/16	2-1/8
CL-4A-CR						3-5/8
CL-5-CR	5/8-11	15/32	1/4	5/8	7/8	2-3/8
CL-7-CR						3-5/8
CL-8-CR	3/4-10	15/32	1/4	5/8	1-1/16	2-1/2
CL-9-CR						3-5/8

STEEL (METRIC)

PART NO.	A	C DIA	D	E	F	G
CLM-1-CR	M6	.157	.118	.20	10mm	1.06
CLM-1A-CR	M8	.217	.157	.31	13mm	1.77
CLM-2-CR	M10	.343	.236	.39	17mm	1.93
CLM-3-CR						3.70
CLM-4-CR	M12	.343	.236	.59	19mm	2.13
CLM-4A-CR						3.70
CLM-5-CR	M16	.472	.236	.59	24mm	2.13
CLM-7-CR						3.70
CLM-8-CR	M20	.472	.276	.59	30mm	2.48
CLM-9-CR						3.66



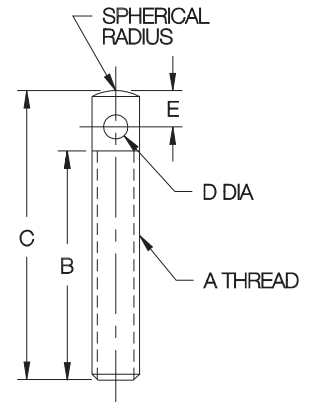
Rear support for Slotted-Heel Clamp Straps. Steel version has a hex head for adjustment, and is furnished with a Jam Nut. Stainless steel version has a drilled hole for turning with a rod.



Stainless Steel

STAINLESS STEEL (INCH)

PART NO.	A	B	C	D DIA	E
CL-13410	#10-32	3/4	1	3/32	1/8
CL-13515	1/4-20	1-3/16	1-1/2	1/8	3/16
CL-13615	5/16-18	1-1/8	1-1/2	5/32	3/16
CL-13717	3/8-16	1-3/8	1-3/4	3/16	3/16

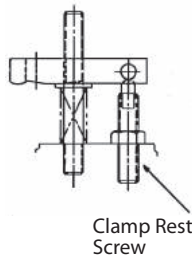


CLAMP REST SCREWS

STEEL: 12L14, CARBURIZED-HARDENED, BLACK OXIDE FINISH



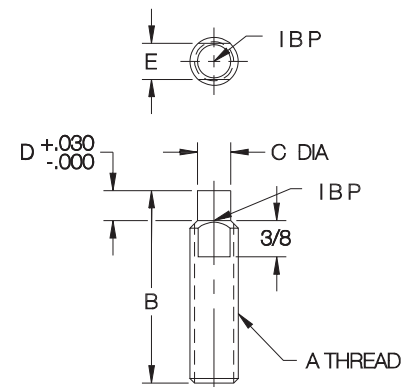
Rear support for Drill-Spot-Heel Clamp Straps.



Clamp Rest Screw

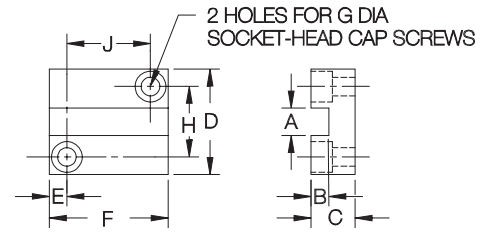
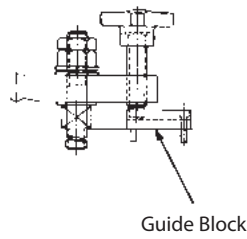
INCH

PART NO.	A	B	C DIA	D	E
CL-1-CRS	3/8-16	2	.250	.313	1/4
CL-2-CRS		2-12	.344	.313	3/8
CL-3-CRS		3			
CL-4-CRS	1/2-13	2	.344	.313	3/8
CL-5-CRS		2-1/2			
CL-6-CRS	3				



GUIDE BLOCKS

1018 STEEL, CARBURIZED-HARDENED, BLACK OXIDE FINISH



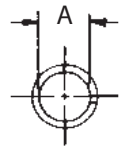
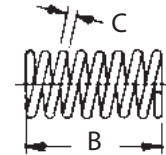
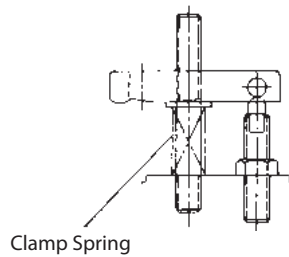
Rear slide block for Tapped-Heel Clamp Straps. Guides Clamp Strap straight back for loading.

PART NO.	FITS STUD SIZE	A	B	C	D	E	F	G	H	J
CL-2-GB	1/4-20 or M6	.198	.10	1/4	3/4	13/64	1-3/16	#6-32 or M4	15/32	25/32
CL-4-GB	3/8-16 or M10	.265	.20	1/2	1-1/8	7/32	2	#10-32 or M5	3/4	1-9/16
CL-6-GB	1/2-13 or M12	.390	.25	5/8	1-1/2	1/4	1-11/16	1/4-20 or M6	1	1-3/16
CL-8-GB	5/8-11 or M16	.515	.25	5/8	1-1/2		1-5/8			1-1/8
CL-11-GB	3/4-10 or M20	.640	.37	3/4	1-3/4		2-13/32		1-1/4	1-29/32

7

CLAMP SPRINGS

STEEL: SPRING STEEL, BLACK OXIDE FINISH
STAINLESS STEEL: 300-SERIES



Sturdy spring that holds up a Clamp Strap for clear loading.

STEEL

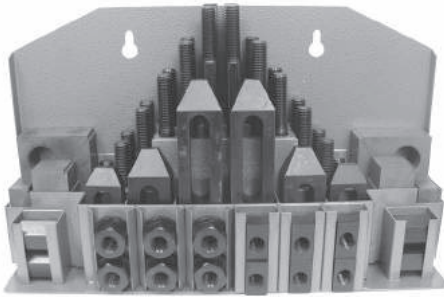
PART NO.	FITS STUD SIZE	A DIA	B	C DIA	NO. OF COILS
CL-5-SPG	1/4-20 or M6	19/64	1-1/8	.062	7
CL-6-SPG	5/16-18 or M8	23/64	1-7/32		6
CL-7-SPG	3/8-16 or M10	7/16	1-9/16		8
CL-9-SPG	1/2-13 or M12	9/16	1-11/16	.091	7
CL-11-SPG	5/8-11 or M16	11/16	1-3/4		5
CL-13-SPG	3/4-10 or M20	13/16	2-1/2		6-1/2

STAINLESS STEEL

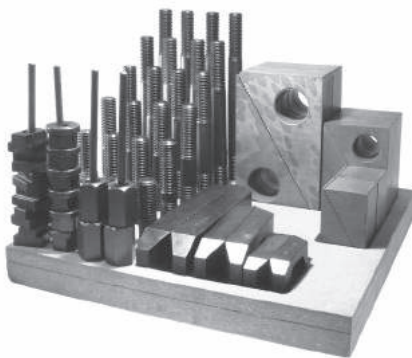
CL-2430.7	#10-32 or M5	13/64	.7	.042	5-1/2
CL-2440.7	1/4-20 or M6	17/64			
CL-2450.7	5/16-18 or M8	21/64	.7	.049	5
CL-2461.0	3/8-16 or M10	13/32			

CLAMPING KITS

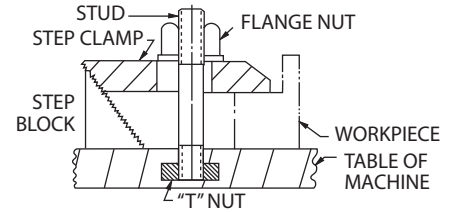
SEE CATALOG PAGE OF EACH COMPONENT FOR MATERIAL SPECIFICATIONS



**Standard Blocks
Metal Holder**



**Heavy Blocks
Wooden Holder**



Economical Clamping Kit with a wide assortment of Step Clamps and Blocks. Fully machined from top-grade steel. Available with standard Step Blocks in a metal holder (for wall or machine mounting), or with wider heavy blocks in a wooden holder.

Each Kit Contains:
 (24) Studs
 (6) T-Slot Nuts
 (6) Flange Nuts
 (4) Coupling Nuts
 (6) Step Blocks
 (6) Step Clamps

STANDARD BLOCKS (INCH)

PART NO.	STUD SIZE	TABLE SLOT SIZE	T-NUT & STUD SET (1)	STEP CLAMPS (2) EACH	STEP BLOCK PAIRS (2) EACH	HOLDER (1)
CL-1-CK	3/8-16	7/16	CL-1-TNS	CL-32-STC CL-34-STC CL-36-STC	CL-10-BS CL-20-BS CL-30-BS	CL-1-CKMH
CL-20-CK		12mm	CL-14-TNS			
CL-2-CK		1/2	CL-2-TNS			
CL-3-CK	1/2-13	9/16 or 14mm	CL-3-TNS	CL-42-STC CL-44-STC CL-46-STC	CL-10-BS CL-20-BS CL-30-BS	CL-2-CKMH
CL-24-CK		5/8 or 16mm	CL-17-TNS			
CL-4-CK		9/16 or 14mm	CL-4-TNS			
CL-5-CK	5/8-11	5/8 or 16mm	CL-5-TNS	CL-52-STC CL-54-STC CL-56-STC	CL-10-BS CL-20-BS CL-30-BS	CL-3-CKMH
CL-6-CK		11/16 or 18mm	CL-6-TNS			
CL-25-CK		3/4	CL-18-TNS			
CL-7-CK	3/4-10	11/16 or 18mm	CL-7-TNS	CL-64-STC CL-66-STC CL-68-STC	CL-10-BS CL-20-BS CL-30-BS	CL-4-CKH
CL-8-CK		3/4	CL-8-TNS			
CL-21-CK		20mm	CL-15-TNS			
CL-9-CK		13/16	CL-9-TNS			

HEAVY BLOCKS (INCH)

PART NO.	STUD SIZE	TABLE SLOT SIZE	T-NUT & STUD SET (1)	STEP CLAMPS (2) EACH	STEP BLOCK PAIRS (2) EACH	HOLDER (1)
CL-10-CK	1/2-13	7/16	CL-4-TNS	CL-42-STC CL-44-STC CL-46-STC	CL-40-BS CL-50-BS CL-60-BS	CL-4-CKH
CL-11-CK		12mm	CL-5-TNS			
CL-12-CK		1/2	CL-6-TNS			
CL-13-CK	5/8-11	9/16 or 14mm	CL-7-TNS	CL-52-STC CL-54-STC CL-56-STC	CL-40-BS CL-50-BS CL-60-BS	CL-5-CKH
CL-14-CK		5/8 or 16mm	CL-8-TNS			
CL-22-CK		9/16 or 14mm	CL-15-TNS			
CL-15-CK	3/4-10	11/16 or 18mm	CL-9-TNS	CL-64-STC CL-66-STC CL-68-STC	CL-40-BS CL-50-BS CL-60-BS	CL-6-CKH
CL-16-CK		3/4	CL-10-TNS			
CL-23-CK		11/16 or 18mm	CL-16-TNS			
CL-17-CK	M12	3/4	CL-11-TNS	CL-52-STC CL-54-STC CL-56-STC	CL-40-BS CL-50-BS CL-60-BS	CL-5-CKH
CL-18-CK		20mm	CL-12-TNS			
CL-19-CK		13/16	CL-13-TNS			

STANDARD BLOCKS (METRIC)

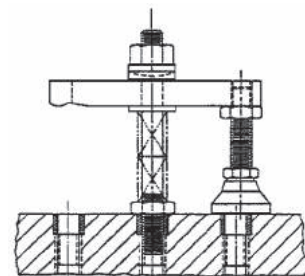
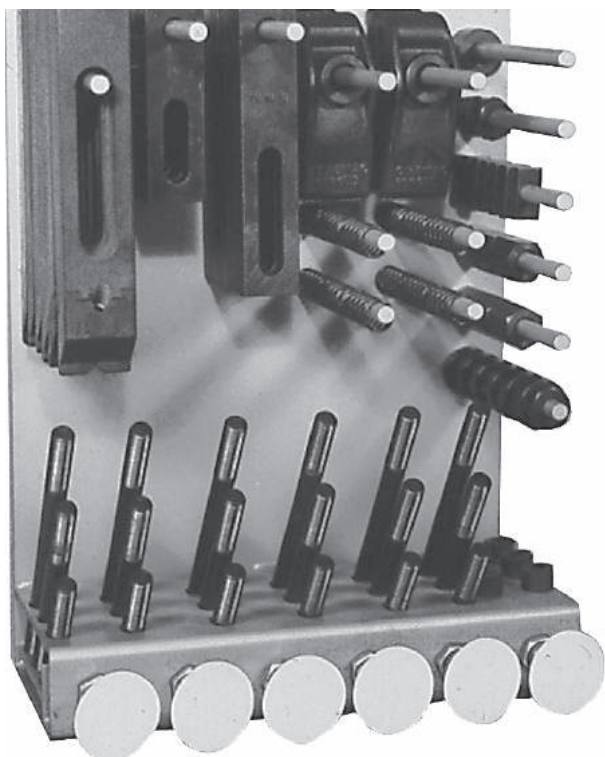
PART NO.	STUD SIZE	TABLE SLOT SIZE	T-NUT & STUD SET (1)	STEP CLAMPS (2) EACH	STEP BLOCK PAIRS (2) EACH	HOLDER (1)
CLM-1-CK	M10	2mm	CLM-1-TNS	CL-32-STC CL-34-STC CL-36-STC	CL-10-BS CL-20-BS CL-30-BS	CL-1-CKMH
CLM-2-CK		1/2	CLM-2-TNS			
CLM-3-CK		9/16 or 14mm	CLM-3-TNS			
CLM-4-CK	M12	9/16 or 14mm	CLM-4-TNS	CL-42-STC CL-44-STC CL-46-STC	CL-10-BS CL-20-BS CL-30-BS	CL-2-CKMH
CLM-5-CK		5/8 or 16mm	CLM-5-TNS			
CLM-6-CK		11/16 or 18mm	CLM-6-TNS			
CLM-7-CK	M16	11/16 or 18mm	CLM-7-TNS	CL-52-STC CL-54-STC CL-56-STC	CL-10-BS CL-20-BS CL-30-BS	CL-3-CKMH
CLM-8-CK		20mm	CLM-8-TNS			
CLM-9-CK		13/16	CLM-9-TNS			

HEAVY BLOCKS (METRIC)

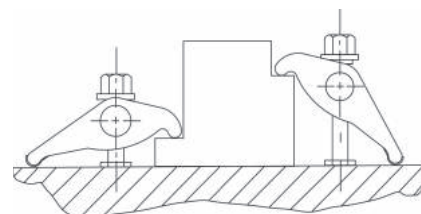
PART NO.	STUD SIZE	TABLE SLOT SIZE	T-NUT & STUD SET (1)	STEP CLAMPS (2) EACH	STEP BLOCK PAIRS (2) EACH	HOLDER (1)
CLM-10-CK	M12	9/16 or 14mm	CLM-4-TNS	CL-42-STC CL-44-STC CL-46-STC	CL-40-BS CL-50-BS CL-60-BS	CL-4-CKH
CLM-11-CK		5/8 or 16mm	CLM-5-TNS			
CLM-12-CK		11/16 or 18mm	CLM-6-TNS			
CLM-13-CK	M16	11/16 or 18mm	CLM-7-TNS	CL-52-STC CL-54-STC CL-56-STC	CL-40-BS CL-50-BS CL-60-BS	CL-5-CKH
CLM-14-CK		20mm	CLM-8-TNS			
CLM-15-CK		13/16	CLM-9-TNS			
CLM-17-CK	M20	22mm	CLM-11-TNS	CL-64-STC CL-66-STC CL-68-STC	CL-40-BS CL-50-BS CL-60-BS	CL-6-CKH

DELUXE CLAMPING KITS

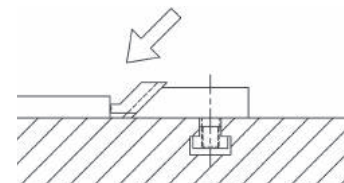
SEE CATALOG PAGE OF EACH COMPONENT FOR MATERIAL SPECIFICATIONS
 HOLDER: STEEL, ENAMEL PAINT



Clamp Strap Assemblies



Forged Adjustable Clamps



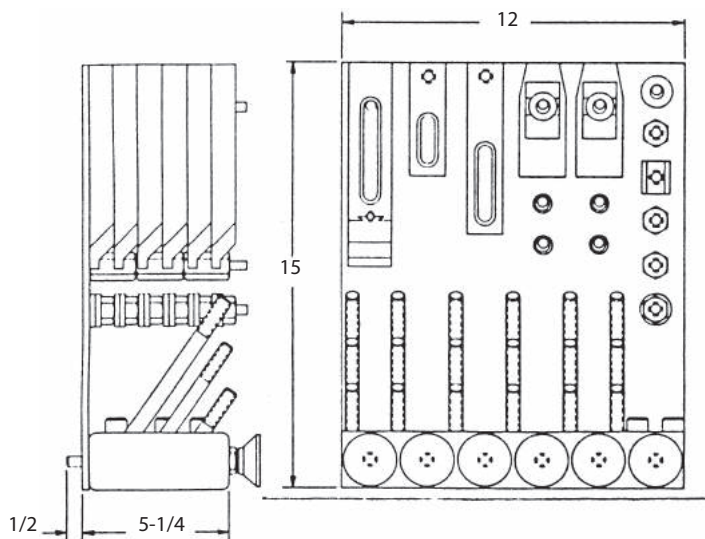
Serrated Edge Clamps

New, improved Clamping Kit with three different types of clamps. Safer and less cumbersome than sets using Step Blocks and Clamps. This 94-piece set includes:

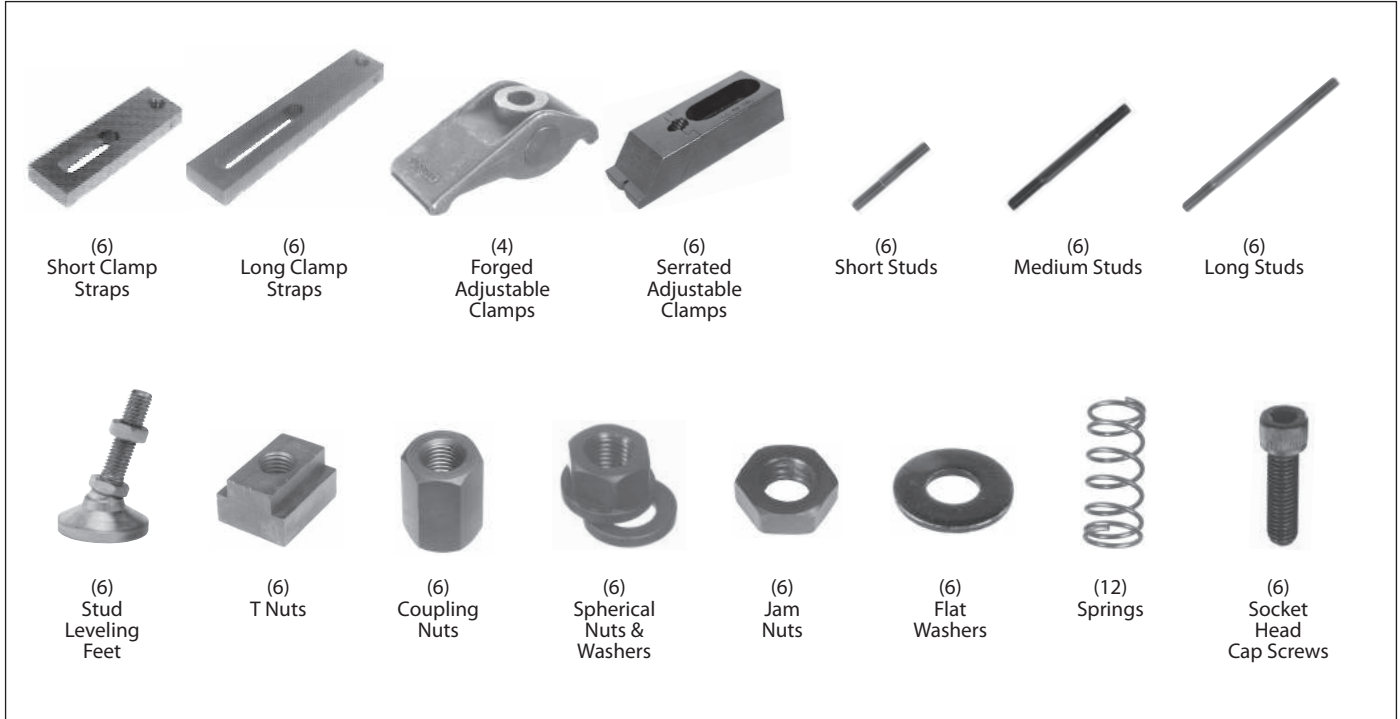
- (12) Tapped-Heel Clamp Straps, short and long
- (4) Forged Adjustable Clamps
- (6) Serrated Edge Clamps
- (6) Stud Leveling Feet
- (6) T Nuts
- (6) Short Clamping Studs
- (6) Medium Clamping Studs
- (6) Long Clamping Studs
- (6) Spherical Nuts & Washers
- (6) Coupling Nuts
- (6) Jam Nuts
- (6) Flat Washers
- (12) Clamp Springs
- (6) Socket-Head Cap Screws
- (1) Sturdy Steel Rack

Available to fit table-slot sizes from 7/16" to 13/16" (12mm to 20mm in metric), in thread sizes from 3/8"-16 to 5/8"-11 (M10 to M16 in metric).

The Stud Leveling Feet in these kits serve as the rear supports for Tapped-Heel Clamp Straps. These leveling feet are optionally available with Delrin pads to avoid marring the table when less clamping force is required, such as when used on coordinate measuring machines.



DELUXE CLAMPING KITS



7

INCH

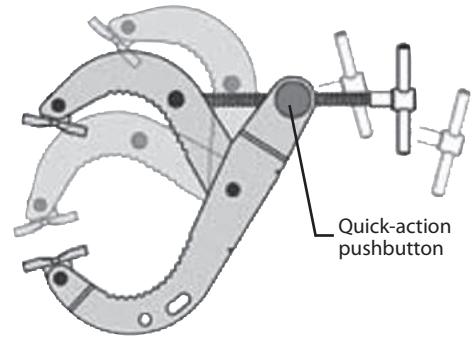
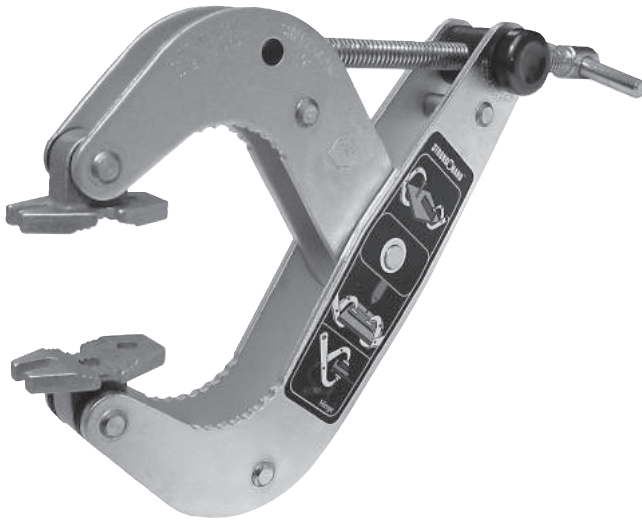
PART NO. STEEL PADS	PART NO. DELRIN® PADS	TABLE SLOT SIZE	STUD SIZE	CLAMP STRAPS (6 EACH)	FORGED ADJ. CLPS. (4)	SERR. ADJ. CLPS. (4)	STUDS (6 EACH)	LEVELING FEET (6)	T NUTS (6)	NUTS & WASHERS (6 EACH)	SPRINGS (12)	SOCKET-HEAD CAP SCREWS (6)
CL-1-DCK	CL-1-DCKN	7/16	3/8-16	CL-63-CS CL-67-CS	CL-6-FAC	CL-30-SAC	CL-3/8-16x3.00-STUD CL-3/8-16x5.00-STUD CL-3/8-16x7.00-STUD	CL-6-SLF-BO or CL-6-SLFN	CL-00-TN	CL-1-CN CL-2-SNW CL-6-JN CL-1-FW	CL-9-SPG	CL-3/8-16x1.25-SHCS
CL-20-DCK	CL-20-DCKN	12mm							CL-12-TN			
CL-2-DCK	CL-2-DCKN	1/2							CL-0-TN			
CL-3-DCK	CL-3-DCKN	9/16 or 14mm							CL-1-TN			
CL-24-DCK	CL-24-DCKN	5/8 or 16mm	1/2-13	CL-71-CS CL-75-CS	CL-8-FAC	CL-60-SAC	CL-1/2-13x4.00-STUD CL-1/2-13x6.00-STUD CL-1/2-13x8.00-STUD	CL-8-SLF-BO or CL-8-SLFN	CL-9-TN	CL-2-CN CL-3-SNW CL-8-JN CL-2-FW	CL-9-SPG	CL-1/2-13x1.50-SHCS
CL-4-DCK	CL-4-DCKN	9/16 or 14mm							CL-2-TN			
CL-5-DCK	CL-5-DCKN	5/8 or 16mm							CL-3-TN			
CL-6-DCK	CL-6-DCKN	11/16 or 18mm							CL-17-TN			
CL-7-DCK	CL-7-DCKN	3/4	5/8-11	CL-81-CS CL-85-CS	CL-10-FAC	CL-90-SAC	CL-5/8-11x4.00-STUD CL-5/8-11x6.00-STUD CL-5/8-11x8.00-STUD	CL-10-SLF-BO or CL-10-SLFN	CL-10-TN	CL-4-SNW CL-10-JN CL-3-FW	CL-9-SPG	CL-5/8-11x1.50-SHCS
CL-27-DCK	CL-27-DCKN	11/16 or 18mm							CL-4-TN			
CL-8-DCK	CL-8-DCKN	3/4							CL-14-TN			
CL-21-DCK	CL-21-DCKN	20mm							CL-5-TN			
CL-9-DCK	CL-9-DCKN	13/16										

METRIC

CLM-1-DCK	CLM-1-DCKN	12mm	M10	CLM-63-CS CLM-67-CS	CL-6-FAC	CL-30-SAC	CLM-10x80-STUD	CLM-10-SLF-BO or CLM-10-SLFN	CLM-00-TN	CLM-10-CN CLM-10-SNW CLM-10-JN	CL-7-SPG	CLM-10x30-SHCS
CLM-2-DCK	CLM-2-DCKN	1/2					CLM-10x125-STUD		CLM-0-TN			
CLM-3-DCK	CLM-3-DCKN	9/16 or 14mm					CLM-10x175-STUD		CLM-1-TN			
CLM-4-DCK	CLM-4-DCKN	9/16 or 14mm	M12	CLM-71-CS CLM-75-CS	CL-8-FAC	CL-60-SAC	CLM-12x95-STUD	CLM-12-SLF-BO or CLM-12-SLFN	CLM-9-TN	CLM-12-CN CLM-12-SNW CLM-12-JN	CL-9-SPG	CLM-12x40-SHCS
CLM-5-DCK	CLM-5-DCKN	5/8 or 16mm					CLM-12x150-STUD		CLM-2-TN			
CLM-6-DCK	CLM-6-DCKN	11/16 or 18mm					CLM-12x200-STUD		CLM-3-TN			
CLM-7-DCK	CLM-7-DCKN	11/16 or 18mm	M16	CLM-81-CS CLM-85-CS	CL-10-FAC	CL-90-SAC	CLM-16x110-STUD	CLM-16-SLF-BO or CLM-16-SLFN	CLM-10-TN	CLM-16-CN CLM-16-SNW CLM-16-JN	CL-11-SPG	CLM-16x40-SHCS
CLM-8-DCK	CLM-8-DCKN	20mm					CLM-16x150-STUD		CLM-4-TN			
CLM-9-DCK	CLM-9-DCKN	13/16					CLM-16x200-STUD		CLM-5-TN			

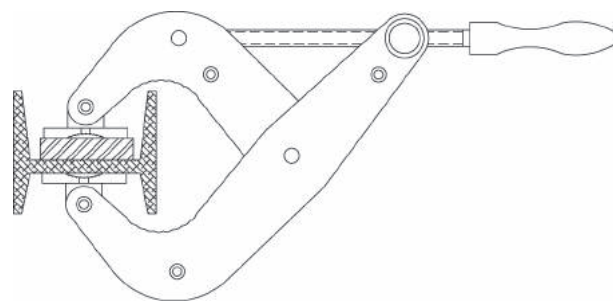
SHARK CLAMPS

BODY: STEEL, ZINC PLATED CLEAR CHROMATE
CLAMPING SCREW: STEEL, COPPER PLATED

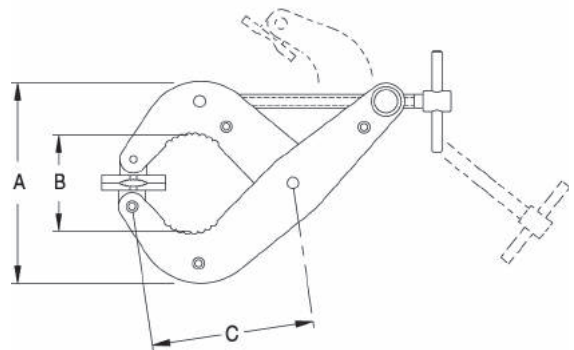
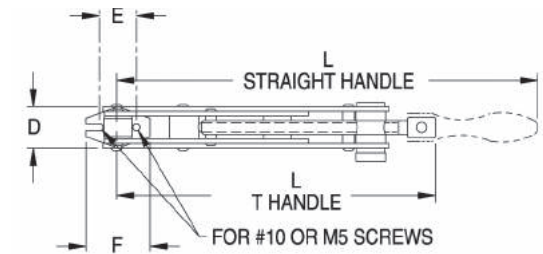


7 Heavy-duty quick-acting jaw clamp. Simply press the side pushbutton to allow sliding the handle freely in and out. The clamping screw is copper plated to resist spatter in welding applications. The two pivoting contact pads have mounting holes to allow attaching custom clamping pads or for stationary mounting. Optional no-mar rubber pads are available separately. Choose either a T handle (for maximum tightening torque) or a screwdriver-type straight handle (for more comfortable handling). Available in two sizes. **Patent no. 6,893,012.**

To clamp, simply press the quick-action pushbutton to slide the handle forward, moving the jaws into clamping position, then release the button and turn the handle to apply clamping force. To unclamp, turn the handle to release clamping force, then press the pushbutton to slide the handle back.



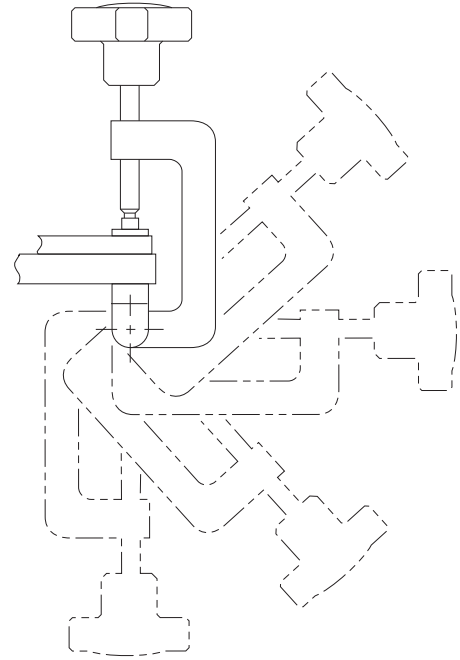
Wide throat allows clamping over flanges.



PART NO.	MAX OPENING	HANDLE TYPE	A	B	C	D	E	F	L	MAXIMUM CLAMPING FORCE (LBS)	NO-MAR PADS (SET OF 4)
CL-500-SHRK	5	T	5.50	2.64	4.40	1.12	1.00	1.75	8.5	1000	CL-1-SHRK-P-SETOF4
CL-501-SHRK		STRAIGHT							12	200	
CL-650-SHRK	6-1/2	T	6.00	3.15	5.30	1.12	1.00	1.75	10.5	1000	
CL-651-SHRK		STRAIGHT							14	200	

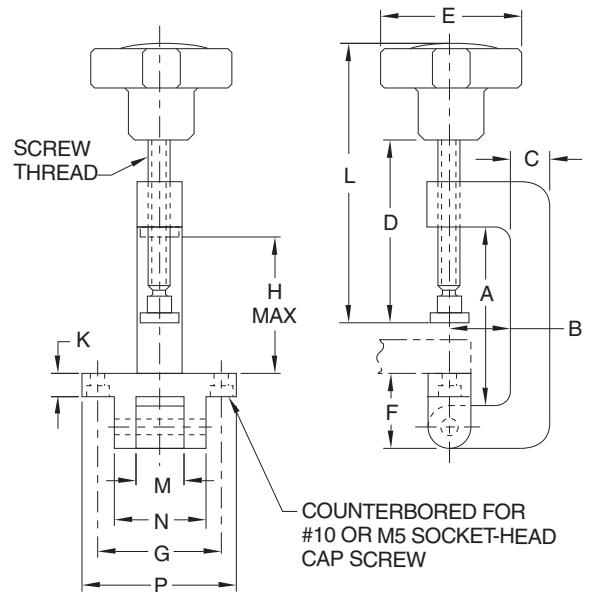
SWING C CLAMPS

FRAME & MOUNTING PAD: MILD STEEL, ZINC PLATED CLEAR CHROMATE
 KNOB: 319 ALUMINUM ALLOY
 SCREW: 12L14 STEEL, NICKEL PLATED
 FOOT: 12L14 STEEL, ZINC PLATED YELLOW CHROMATE



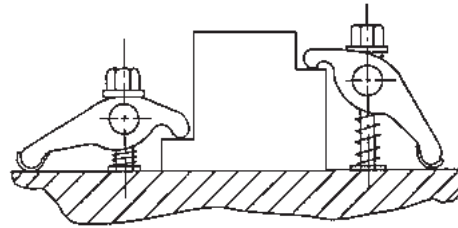
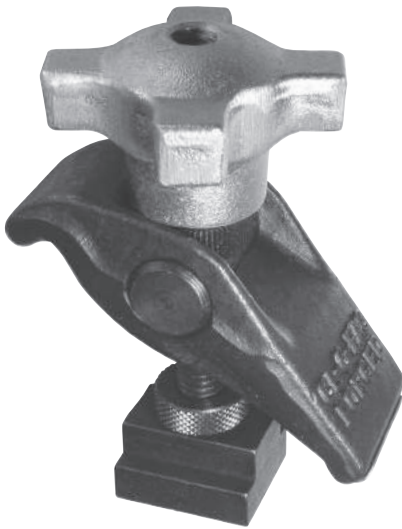
These unique C Clamps have a hinged pad for fastening permanently to a fixture, allowing them to swing clear for workpiece loading. The hinged mounting pad bolts to the fixture with two Socket-Head Cap Screws. Four-Prong Knob provides a firm grip for applications requiring quick tightening and high torque. Clamping screw is cast securely in the knob and has a removable swivel foot. Available in four sizes.

Swing C Clamps use our patented left-hand-thread swivel-foot system. The ball end of the body screws into the foot for easy installation and removal. Once the ball threads pass beyond the foot threads, the foot can rotate and pivot freely (20° total angle). Foot threads are left-hand to positively prevent accidental black out during use. For other foot types, including Delrin® feet, see Feet for Swivel Screws (order separately).

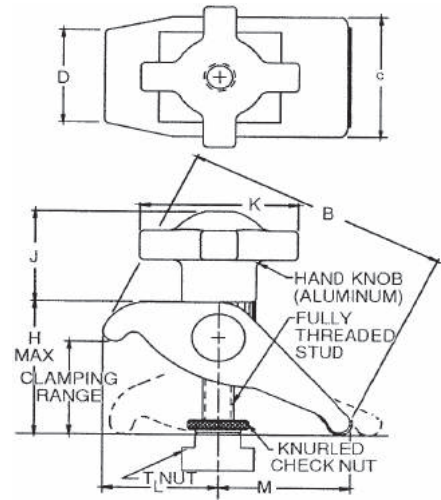


PART NO.	SCREW THREAD	A	B	C	D	E	F	G	H	K	L	M	N	P
CL-520-SCC	5/16-18	2	3/4	1/2	2-1/4	1-3/4	7/8	1-1/2	1-15/32	5/16	3-1/4	1/2	1	2
CL-525-SCC		2-1/2							1-31/32					
CL-625-SCC	3/8-16	2-1/2	1	5/8	2-13/16	2-1/8	1	1-3/4	1-15/16	5/16	4-1/16	5/8	1-1/4	2-1/4
CL-635-SCC		3-1/2			3-9/16				2-15/16		4-13/16			

FORGED ADJUSTABLE DRILL-PRESS CLAMPS



Handy hold-down clamp assembly that includes a Forged Adjustable Clamp, ideal for clamping on T-slotted drill presses and tapped drill-jig plates. This rugged forged steel pivot clamp provides instant height adjustment without blocks or shims. Removable brass heel protects machine table. Available with stud sizes from 5/16-18 to 1/2-13 (M8 to M12 in metric), fitting T-slots from 3/8 to 3/4 (10mm to 18mm in metric). **INFO+**: For additional sizes of Forged Adjustable Clamps, see page 262.



GENERAL DIMENSIONS

STUD SIZE	CLAMPING RANGE	B	C	D	H	J	K	L		M	
								MIN	MAX	MIN	MAX
5/16-18 or M8 3/8-16 or M10	0 to 1-3/4	3-1/4	1-1/4	7/8	2-1/8	1-3/8	2-1/8	1-1/16	1-1/4	1-3/4	2
1/2-13 or M12	0 to 2-1/16	4	1-5/8	1-1/8	2-5/8	1-5/8	2-1/2	1-3/8	1-9/16	2-1/8	2-7/16

ASSEMBLY COMPONENTS (INCH)

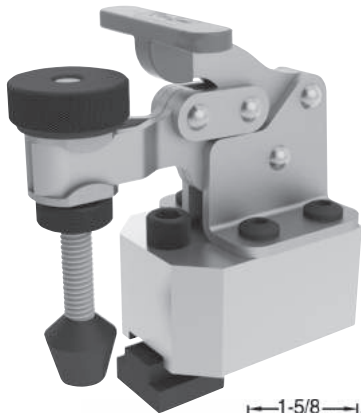
PART NO.	STUD SIZE	TABLE-SLOT SIZE	T NUT	FORGED ADJUSTABLE CLAMP	FULLY THREADED STUD	KNURLED CHECK NUT	HAND KNOB
CL-5-FACA-HKA	5/16-18	TAPPED	NONE	CL-6-FAC	CL-5/16-18x3.00-FTS	CL-51618-TSJNI	CL-2-HK-4A
CL-5-FACA-HKA-19		3/8 or 10mm	CL-19-TN				
CL-5-FACA-HKA-20		7/16	CL-20-TN				
CL-5-FACA-HKA-21		1/2	CL-21-TN				
CL-6-FACA-HKA	3/8-16	TAPPED	NONE	CL-6-FAC	CL-3/8-16x3.00-FTS	CL-3816-TSJNI	CL-3-HK-4A
CL-6-FACA-HKA-00		7/16	CL-00-TN				
CL-6-FACA-HKA-12		12mm	CL-12-TN				
CL-6-FACA-HKA-0		1/2	CL-0-TN				
CL-6-FACA-HKA-1		9/16 or 14mm	CL-1-TN				
CL-6-FACA-HKA-16	5/8 or 16mm	CL-16-TN					
CL-8-FACA-HKA	1/2-13	TAPPED	NONE	CL-8-FAC	CL-1/2-13x4.00-FTS	CL-1213-TSJNI	CL-9-HK-9A
CL-8-FACA-HKA-9		9/16 or 14mm	CL-9-TN				
CL-8-FACA-HKA-2		5/8 or 16mm	CL-2-TN				
CL-8-FACA-HKA-3		11/16 or 18mm	CL-3-TN				
CL-8-FACA-HKA-17		3/4	CL-17-TN				

ASSEMBLY COMPONENTS (METRIC)

CLM-5-FACA-HKA	M8	TAPPED	NONE	CL-6-FAC	CLM-8x80-FTS	CLM-8-TSJNI	CLM-2-HK-4A
CLM-5-FACA-HKA-19		3/8 or 10mm	CLM-19-TN				
CLM-6-FACA-HKA		TAPPED	NONE				
CLM-6-FACA-HKA-00	M10	12mm	CLM-00-TN	CL-6-FAC	CLM-10x80-FTS	CLM-10-TSJNI	CLM-3-HK-4A
CLM-6-FACA-HKA-0		1/2	CLM-0-TN				
CLM-6-FACA-HKA-1		9/16 or 14mm	CLM-1-TN				
CLM-8-FACA-HKA	M12	TAPPED	NONE	CL-8-FAC	CLM-12x110-FTS	CLM-12-TSJNI	CLM-9-HK-9A
CLM-8-FACA-HKA-9		9/16 or 14mm	CLM-9-TN				
CLM-8-FACA-HKA-2		5/8 or 16mm	CLM-2-TN				
CLM-8-FACA-HKA-3		11/16 or 18mm	CLM-3-TN				

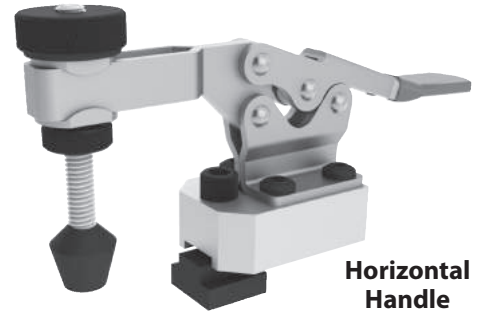
DRILL-PRESS TOGGLE CLAMPS

DRILL-PRESS ADAPTOR: 6061 ALUMINUM
OTHER COMPONENTS: SEE CATALOG PAGE FOR EACH SPECIFIC ITEM

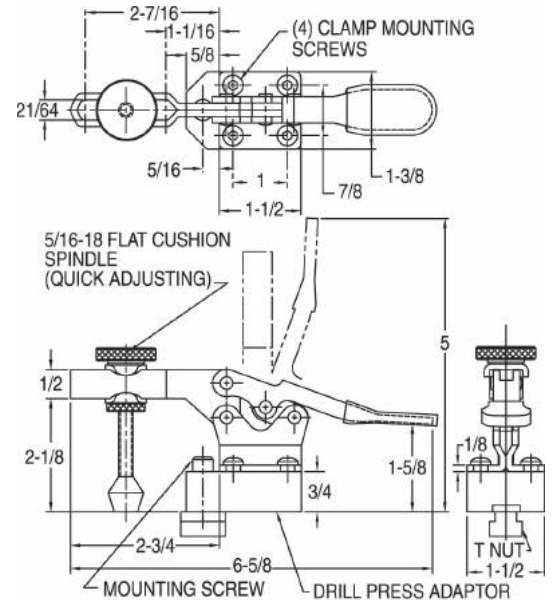
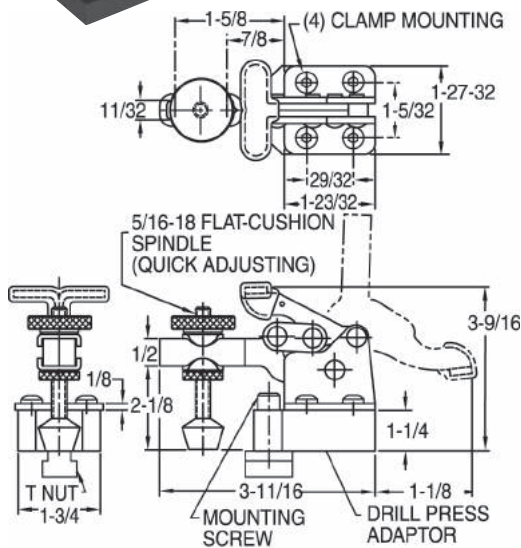


**Vertical
T Handle**

These hold-down Toggle Clamps are ideal for clamping on drill presses, with an adaptor base for slotted tables and a quick adjusting spindle. Choose either a compact, easy-opening vertical T handle, or a low-profile horizontal handle. Open arm provides adjustable spindle location. Supplied with two quick-adjusting Flat-Cushion Spindles, one short and one long. Choose T Nut size to fit table slots from 3/8 to 5/8" (10 to 16mm in metric).



**Horizontal
Handle**



VERTICAL T HANDLE (INCH)

PART NO.	MOUNTING SCREW SIZE	TABLE-SLOT SIZE	T NUT	DRILL-PRESS ADAPTOR	MOUNTING SCREW	CLAMP MOUNTING SCREW(4)	QUICK-ADJUSTING SPINDLE	HOLDING CAPACITY (LBS)
CL-300-VTCD-5	5/16-18	TAPPED	NONE	CL-300-VTCA-6	CL-5/16-18x1.75-SHCS	CL-1/4-20x.50-BHCS	CL-516212-FCQA	350
CL-300-VTCD-5-19		3/8 or 10mm	CL-19-TN		CL-5/16-18x1.50-SHCS			
CL-300-VTCD-5-20		7/16	CL-20-TN		CL-3/8-16x1.75-SHCS			
CL-300-VTCD-5-21	1/2	CL-21-TN	CL-3/8-16x1.50-SHCS					
CL-300-VTCD-6	TAPPED	NONE						
CL-300-VTCD-6-00	7/16	CL-00-TN						
CL-300-VTCD-6-12	12mm	CL-12-TN						
CL-300-VTCD-6-0	1/2	CL-0-TN						
CL-300-VTCD-6-1	9/16 or 14mm	CL-1-TN						
CL-300-VTCD-6-16	5/8 or 16mm	CL-16-TN						

HORIZONTAL HANDLE (INCH)

CL-450-HTCD-5	5/16-18	TAPPED	NONE	CL-450-HTCA-6	CL-5/16-18x1.75-SHCS	CL-1/4-20x.50-BHCS	CL-516212-FCQA	500
CL-450-HTCD-5-19		3/8 or 10mm	CL-19-TN		CL-5/16-18x1.50-SHCS			
CL-450-HTCD-5-20		7/16	CL-20-TN		CL-3/8-16x1.75-SHCS			
CL-450-HTCD-5-21	1/2	CL-21-TN	CL-3/8-16x1.50-SHCS					
CL-450-HTCD-6	TAPPED	NONE						
CL-450-HTCD-6-00	7/16	CL-00-TN						
CL-450-HTCD-6-12	12mm	CL-12-TN						
CL-450-HTCD-6-0	1/2	CL-0-TN						
CL-450-HTCD-6-1	9/16 or 14mm	CL-1-TN						
CL-450-HTCD-6-16	5/8 or 16mm	CL-16-TN						

CARR LANE SIMPLEX HAMMERS

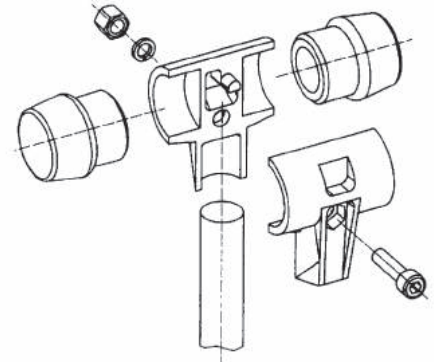
SEE COMPONENT PAGES FOR MATERIAL SPECIFICATIONS



Wooden Handle



Fiberglass Handle



Design your own custom hammers. These soft-face mallets can be customized for specific applications by selecting the proper hammer inserts. Choose the same type of insert for both sides, or build a multi-purpose hammer with a different type of insert for each face. The Simplex system uses a patented hammer housing with 3-point clamping that ensures a safe hammer assembly.

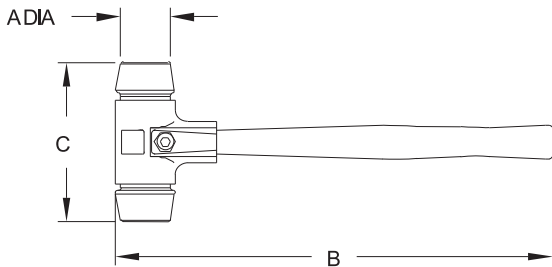
Available in four sizes, with a choice of eight different insert materials:

- Type A Blue Thermoplastic (Soft)
- Type B Gray Thermoplastic (Medium Soft)
- Type C Black Rubber (Medium Soft)
- Type D White Superplastic (Medium Hard)
- Type E Red Plastic (Hard)
- Type F White Nylon (Hard)
- Type G Soft Metal (Hard)
- Type H Copper (Hard) Fiberglass Handle Only

To order a 30mm hammer with a wooden handle, one black rubber insert (C) and one white nylon insert (F) specify:

CL-30-SPH-W-CF

Observe all appropriate safety precautions. Always wear safety goggles when using a hammer or any striking tool. Bystanders must also wear safety goggles. Never strike the hammer with or against another striking tool, hardened nail, or any other hard object that could cause damage. Chipping could occur, resulting in possible eye or other injury. Discard any chipped or damaged hammer. If assembling the hammer yourself, ensure that all parts are properly fitted into the handle housing and that the screw is tightened to the specified torque. Check hammer before each use. Using a hammer with loose or improperly fitted parts could result in serious injury. Use only genuine Simplex replacement components.



SIMPLEX HAMMER ASSEMBLY — WOODEN HANDLE

PART NO.	A DIA	B	C	WEIGHT (LBS)
CL-30-SPH-W-xx	30mm (1.18)	11.81	3.54	0.7-0.9
CL-40-SPH-W-xx	40mm (1.57)	12.99	4.33	1.3-1.6
CL-50-SPH-W-xx	50mm (1.96)	13.78	5.32	2.4-3.0
CL-60-SPH-W-xx	60mm (2.36)	15.95	5.71	3.1-4.3

SIMPLEX HAMMER ASSEMBLY — FIBERGLASS HANDLE

CL-30-SPH-F-xx	30mm (1.18)	11.81	3.54	0.9-1.5
CL-40-SPH-F-xx	40mm (1.57)	12.99	4.33	1.8-3.1
CL-50-SPH-F-xx	50mm (1.96)	13.78	5.32	3.3-4.0
CL-60-SPH-F-xx	60mm (2.36)	15.95	5.71	3.5-5.5

CARR LANE SIMPLEX HAMMERS



Type A Inserts
Blue Thermoplastic
(Soft)

Blue thermoplastic inserts are soft and non-smudging. Applications include assembly operations, dent removal, woodworking, furniture assembly, window and door construction, joiner's work, and floor tiling. Hardness 60-70 Shore A.

PART NO.	HAMMER SIZE (FACE DIA)
CL-30-SPH-A	30mm (1.18)
CL-40-SPH-A	40mm (1.57)
CL-50-SPH-A	50mm (1.96)
CL-60-SPH-A	60mm (2.36)



Type B Inserts
Grey Thermoplastic
(Medium Soft)

Grey thermoplastic inserts are medium soft and non-smudging. Applications include assembly operations, car-body work, woodworking, furniture assembly, window and door construction, joiner's work, floor tiling, paving, and interior construction. Hardness 85-95 Shore A.

PART NO.	HAMMER SIZE (FACE DIA)
CL-30-SPH-B	30mm (1.18)
CL-40-SPH-B	40mm (1.57)
CL-50-SPH-B	50mm (1.96)
CL-60-SPH-B	60mm (2.36)



Type C Inserts
Black Rubber
(Medium Soft)

Black Rubber inserts are medium soft. Applications include assembly operations, dent removal, prefabricated housing construction, carpenter's work, paving, masonry work, concrete-form setup, scaffold construction, gardening, landscaping, and interior construction. Hardness 90-100 Shore A.

PART NO.	HAMMER SIZE (FACE DIA)
CL-30-SPH-C	30mm (1.18)
CL-40-SPH-C	40mm (1.57)
CL-50-SPH-C	50mm (1.96)
CL-60-SPH-C	60mm (2.36)



Type D Inserts
White Superplastic
(Medium Hard)

White superplastic inserts (UHMW polyethylene) are medium hard, durable, impact resistant, acid and lye resistant, grease and oil resistant, and ideal for striking sharp edges. Applications include assembly operations, automotive assembly and repair work, repair and maintenance work, car body work, sheet metal working, dent removal, assembly of sharp-edged workpieces, paving, masonry work, scaffold construction, gardening, and landscaping. Hardness 60-70 Shore D.

PART NO.	HAMMER SIZE (FACE DIA)
CL-30-SPH-D	30mm (1.18)
CL-40-SPH-D	40mm (1.57)
CL-50-SPH-D	50mm (1.96)
CL-60-SPH-D	60mm (2.36)



Type E Inserts
Red Plastic
(Hard)

Red plastic inserts (cellulose acetate) are hard, semi-transparent, and grease and oil resistant. Applications include automotive assembly and repair work, sheet metal working, dent removal, concrete-form setup, and scaffold construction. Hardness 65-75 Shore D.

PART NO.	HAMMER SIZE (FACE DIA)
CL-30-SPH-E	30mm (1.18)
CL-40-SPH-E	40mm (1.57)
CL-50-SPH-E	50mm (1.96)
CL-60-SPH-E	60mm (2.36)



Type F Inserts
White Nylon
(Hard)

White nylon inserts are hard, grease and oil resistant, highly elastic, and have superior strike effectiveness. Applications include assembly operations, metalworking, tooling, automotive assembly and repair work, joining of workpieces, sheet metal working, dent removal, mold construction, assembly of sharp-edged workpieces, and scaffold construction. Hardness 68-78 Shore D.

PART NO.	HAMMER SIZE (FACE DIA)
CL-30-SPH-F	30mm (1.18)
CL-40-SPH-F	40mm (1.57)
CL-50-SPH-F	50mm (1.96)
CL-60-SPH-F	60mm (2.36)



Type G Inserts
Soft Metal
(Hard)

Soft metal inserts are made of an aluminum-copper alloy which is hard and resistant to heat. Excellent alternative to old-fashioned lead hammers, to eliminate the risk of lead contamination. Applications include metalworking, tooling, automotive assembly and repair work, straightening work, car body work, and mold construction.

PART NO.	HAMMER SIZE (FACE DIA)
CL-30-SPH-G	30mm (1.18)
CL-40-SPH-G	40mm (1.57)
CL-50-SPH-G	50mm (1.96)
CL-60-SPH-G	60mm (2.36)



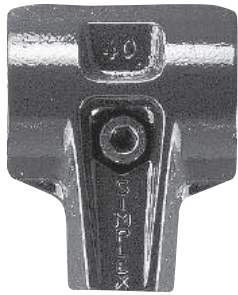
Type H Inserts
Copper
(Hard)

Copper inserts are hard and provide maximum impact. Plastic socket provides for secure mounting of the copper insert in the hammer. Applications include machine construction, automotive assembly and repair work, repair and maintenance work, and vehicle service stations.

PART NO.	HAMMER SIZE (FACE DIA)
CL-30-SPH-H	30mm (1.18)
CL-40-SPH-H	40mm (1.57)

CARR LANE SIMPLEX HAMMERS

HOUSINGS: CAST IRON, FURNISHED WITH SOCKET-HEAD CAP SCREW, SPRING WASHER, AND NUT
HANDLES: EUROPEAN BLACK LOCUST WOOD, OR FIBERGLASS WITH ERGONOMIC RUBBER GRIP



Rugged cast iron housing (red), furnished with a high-strength Socket-Head Cap Screw, spring washer, and nut. Premium quality hardwood handle. Use wooden handles only with red housings.



HOUSING & HANDLE — WOODEN HANDLE

HOUSING PART NO.	HANDLE PART NO.	HAMMER SIZE (FACE DIA)	TIGHTENING TORQUE (FT-LBS)	
			PLASTIC INSERTS	METAL INSERTS
CL-30-SPH-HWH	CL-30-SPH-WH	30mm (1.18)	11	15
CL-40-SPH-HWH	CL-40-SPH-WH	40mm (1.57)	18	30
CL-50-SPH-HWH	CL-50-SPH-WH	50mm (1.96)	22	37
CL-60-SPH-HWH	CL-60-SPH-WH	60mm (2.36)	30	48



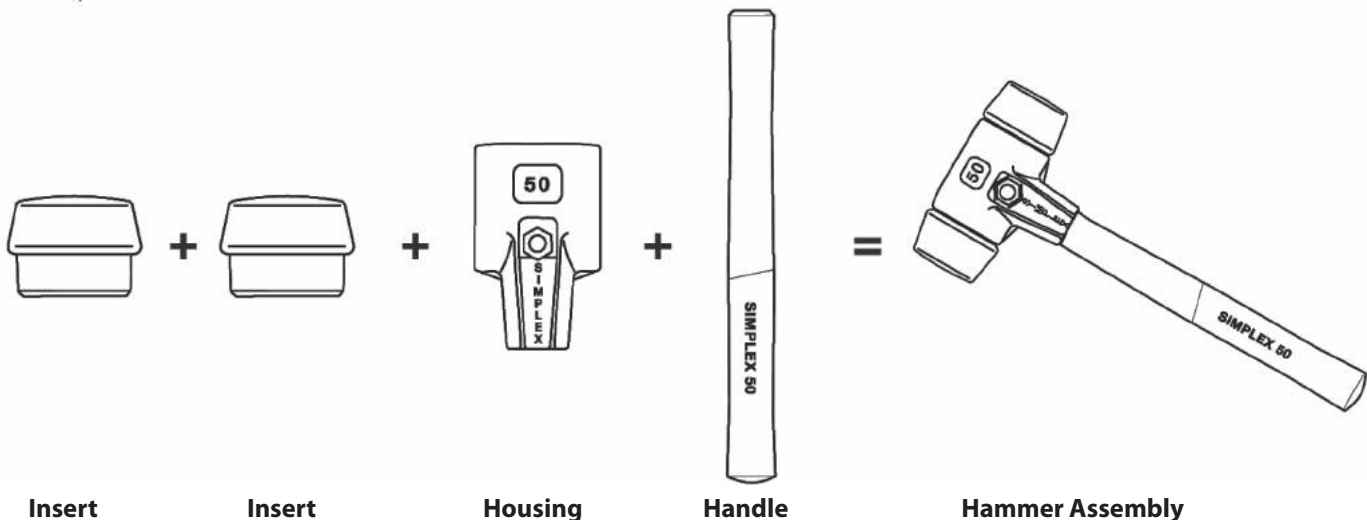
Heavy-duty cast iron housing (black), reinforced for use with a fiberglass handle, furnished with a high-strength Socket-Head Cap Screw, spring washer, and nut. High-strength fiberglass handle with an ergonomic rubber grip. Use fiberglass handles only with black housings.



HOUSING & HANDLE — FIBERGLASS HANDLE

HOUSING PART NO.	HANDLE PART NO.	HAMMER SIZE (FACE DIA)	TIGHTENING TORQUE (FT-LBS)	
			PLASTIC INSERTS	METAL INSERTS
CL-30-SPH-HFH	CL-30-SPH-FH	30mm (1.18)	18	30
CL-40-SPH-HFH	CL-40-SPH-FH	40mm (1.57)	22	44
CL-50-SPH-HFH	CL-50-SPH-FH	50mm (1.96)	30	52
CL-60-SPH-HFH	CL-60-SPH-FH	60mm (2.36)	44	59

7



NO-REBOUND HAMMERS

HOUSINGS: STEEL ASSEMBLY CONTAINING STEEL PELLETS. HANDLE: HICKORY WOOD.
INSERTS: NYLON, NATURAL WHITE COLOR, HARDNESS 68-78 SHORE D

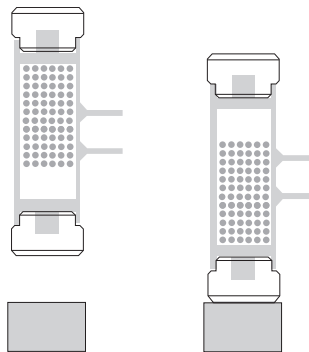
No-Rebound Hammers deliver full impact, about 50% greater than a standard hammer. The housing is filled with special steel pellets that transfer momentum to the impact point. Ideal for assembling machine parts without damage. Speeds up work while reducing fatigue. Allows better hammer control by absorbing the bounce. Hickory-wood handle. Available in five standard sizes, plus two sledgehammer sizes.

Supercraft No-Rebound Hammers have replaceable nylon inserts. These nylon inserts are hard, grease and oil resistant, highly elastic, and have superior strike effectiveness. Applications include assembly operations, metalworking, tooling, positioning of workpieces, automotive assembly and repair work, joining of workpieces, sheet metal working, dent removal, mold construction, assembly of sharp-edged workpieces, and scaffold construction.

Observe all appropriate safety precautions. Never allow the hammer's striking faces to wear down to the point where the hammer housing makes contact with the work surface, as irreparable damage could result. Always wear safety goggles when using a hammer or any striking tool. Bystanders must also wear safety goggles. Never strike the hammer with or against another striking tool, hardened nail, or any other hard object that could cause damage. Chipping could occur, resulting in possible eye or other injury. Discard any chipped or damaged hammer.



Supercraft Hammers (Wooden Handle)



No-Rebound Hammers are filled with special steel pellets that transfer momentum to the impact point.

SUPERCRAFT HAMMERS — WOODEN HANDLE

PART NO.	FACE DIA	WEIGHT (LBS)	OVERALL LENGTH	HEAD LENGTH	REPLACEMENT INSERT (2 REQUIRED)
CL-3366-020-NRH	20mm (.78)	0.5	11.77	4.12	CL-3508-020-NRHI
CL-3366-030-NRH	30mm (1.18)	0.7	12.95	4.32	CL-3508-030-NRHI
CL-3366-040-NRH	40mm (1.57)	1.6	14.13	4.51	CL-3508-040-NRHI
CL-3366-050-NRH	50mm (1.96)	2.2	14.52	4.71	CL-3508-050-NRHI
CL-3366-060-NRH	60mm (2.36)	3.8	14.52	5.69	CL-3508-060-NRHI



Supercraft Sledgehammers (Wooden Handle)

SUPERCRAFT SLEDGEHAMMERS — WOODEN HANDLE

PART NO.	FACE DIA	WEIGHT (LBS)	OVERALL LENGTH	HEAD LENGTH	REPLACEMENT INSERT (2 REQUIRED)
CL-3366-081-NRH	80mm (3.14)	9	34.5	7.85	CL-3508-080-NRHI
CL-3366-107-NRH	100mm (3.93)	15	39.2	8.24	CL-3508-100-NRHI

NO-REBOUND HAMMERS

HOUSING & HANDLE: STEEL ASSEMBLY CONTAINING STEEL PELLETS
 SUPERCRAFT INSERTS: NYLON, NATURAL WHITE COLOR, HARDNESS 68-78 SHORE D
 SECURAL INSERTS: POLYURETHANE, YELLOW



**Supercraft Hammers
(Steel Handle)**



**HI-VIS
Supercraft Hammers
(Steel Handle)**



**Secural
Narrow Hammers
(Steel Handle)**

Also available in a high-visibility version!

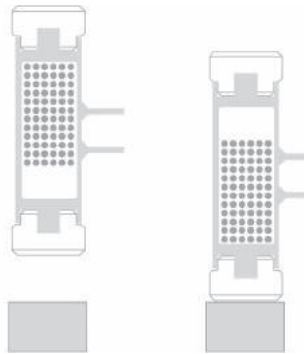
No-Rebound Hammers deliver full impact, about 50% greater than a standard hammer. The housing is filled with special steel pellets that transfer momentum to the impact point. Ideal for assembling machine parts without damage. Speeds up work while reducing fatigue. Allows better hammer control by absorbing the bounce. Steel handle with ergonomic rubber grip.

Supercraft No-Rebound Hammers are available in four sizes, now optionally available with a high-visibility yellow fluorescent finish, ideal for locating your hammer in dim lighting conditions. Supercraft Hammers have replaceable nylon inserts. These nylon inserts are hard, grease and oil resistant, highly elastic, and have superior strike effectiveness.

Secural Narrow No-Rebound Hammers have a narrow, rectangular head that allows hammering in tight spots, and also makes storage easier in toolbox drawers. Available in one size, with a 30mm x 40mm face. Secural Narrow Hammers have replaceable polyurethane inserts. These inserts are medium soft.

Observe all appropriate safety precautions. Never allow the hammer's striking faces to wear down to the point where the hammer housing makes contact with the work surface, as irreparable damage could result. Always wear safety goggles when using a hammer or any striking tool. Bystanders must also wear safety goggles. Never strike the hammer with or against another striking tool, hardened nail, or any other hard object that could cause damage. Chipping could occur, resulting in possible eye or other injury. Discard any chipped or damaged hammer.

7



No-Rebound Hammers are filled with special steel pellets that transfer momentum to the impact point.

SUPERCRAFT HAMMERS — STEEL HANDLE

PART NO.	FACE DIA	WEIGHT (LBS)	OVERALL LENGTH	HEAD LENGTH	REPLACEMENT INSERT (2 REQUIRED)
CL-3377-030-NRH	30mm (1.18)	1.3	11.38	4.32	CL-3508-030-NRHI
CL-3377-040-NRH	40mm (1.57)	1.9	11.77	4.51	CL-3508-040-NRHI
CL-3377-050-NRH	50mm (1.96)	2.6	12.17	4.71	CL-3508-050-NRHI
CL-3377-060-NRH	60mm (2.36)	3.9	12.76	5.69	CL-3508-060-NRHI

HI-VIZ SUPERCRAFT HAMMERS — STEEL HANDLE

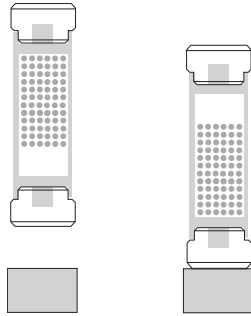
PART NO.	FACE DIA	WEIGHT (LBS)	OVERALL LENGTH	HEAD LENGTH	REPLACEMENT INSERT (2 REQUIRED)
CL-3377-130-NRH	30mm (1.18)	1.3	11.38	4.32	CL-3508-030-NRHI
CL-3377-140-NRH	40mm (1.57)	1.9	11.77	4.51	CL-3508-040-NRHI
CL-3377-150-NRH	50mm (1.96)	2.6	12.17	4.71	CL-3508-050-NRHI
CL-3377-160-NRH	60mm (2.36)	3.9	12.76	5.69	CL-3508-060-NRHI

SECURAL NARROW HAMMERS — STEEL HANDLE

PART NO.	FACE DIA	WEIGHT (LBS)	OVERALL LENGTH	HEAD LENGTH	REPLACEMENT INSERT (2 REQUIRED)
CL-3380-040-NRH	30mm x 40mm (1.18 x 1.57)	1.6	11.77	4.59	CL-3511-040-NRHI

NO-REBOUND DROP HAMMERS

HOUSING: STEEL ASSEMBLY CONTAINING STEEL PELLETS
 INSERTS: NYLON, NATURAL WHITE COLOR, HARDNESS 68-78 SHORE D



No-Rebound Drop Hammers are filled with special steel pellets that transfer momentum to the impact point.

No-Rebound Drop Hammers provide the impact of a normal hammer even when access is restricted. No-Rebound Hammers deliver full impact, about 50% greater than a standard hammer. The housing is filled with special steel pellets that transfer momentum to the impact point. Ideal for assembling machine parts without damage. Speeds up work while reducing fatigue. Allows better hammer control by absorbing the bounce. Available in four sizes.

No-Rebound Drop Hammers have replaceable nylon inserts. These nylon inserts are hard, grease and oil resistant, highly elastic, and have superior strike effectiveness. Applications include assembly operations, metalworking, tooling, positioning of workpieces, automotive assembly and repair work, joining of workpieces, sheet metal working, dent removal, mold construction, and assembly of sharp-edged workpieces.

PART NO.	FACE DIA	WEIGHT (LBS)	LENGTH	REPLACEMENT INSERT (2 REQUIRED)
CL-3408-020-NRH	20mm (.78)	0.5	5.89	CL-3508-020-NRHI
CL-3408-030-NRH	30mm (1.18)	1.0	6.08	CL-3508-030-NRHI
CL-3408-040-NRH	40mm (1.57)	1.8	6.28	CL-3508-040-NRHI
CL-3408-050-NRH	50mm (1.96)	2.8	6.48	CL-3508-050-NRHI

SOFT-FACE PUNCHES

HOUSING: STEEL. INSERTS: NYLON, NATURAL WHITE COLOR, HARDNESS 68-78 SHORE D



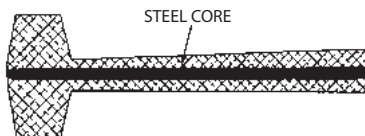
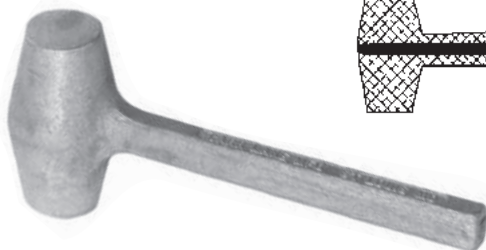
Soft-Face Punches safely extend the reach of a hammer when access is restricted. Transfers impact to difficult-to-reach places. Available in two sizes.

Soft-Face Punches have replaceable nylon inserts. These nylon inserts are hard, grease and oil resistant, highly elastic, and have superior strike effectiveness. Applications include assembly operations, metalworking, tooling, automotive assembly and repair work, joining of workpieces, sheet metal working, dent removal, and assembly of sharp-edged workpieces.

PART NO.	FACE DIA	WEIGHT (LBS)	LENGTH	REPLACEMENT INSERT (2 REQUIRED)
CL-3408-010-SFP	10mm (.39)	0.2	6.59	CL-3508-010-NRHI
CL-3408-015-SFP	15mm (.59)	0.4	6.87	CL-3508-015-NRHI

NO-MAR HAMMERS

ALUMINUM ALLOY WITH STEEL CORE



Economical aluminum alloy hammer. Excellent alternative to old-fashioned lead hammers, to eliminate the risk of lead contamination. One-piece cast construction with a steel core for extra strength. Applications include metalworking, tooling, automotive assembly and repair work, straightening work, car body work, and mold construction. Available in two sizes.

PART NO.	WEIGHT	FACE DIA	HANDLE LENGTH TO CENTERLINE OF FACE
CL-1-NMH	2 lb	1-1/2	10-1/2
CL-2-NMH	3.5 lb	2	11



Held to a higher degree.

ON-SIZE® Bushings from Carr Lane Manufacturing



Made from a 36% nickel-iron alloy,
ON-SIZE® Bushings provide minimum thermal expansion.

Choose ON-SIZE® Bushings from Carr Lane,
when high dimensional stability is required,
even under sustained high temperatures
and multiple heat-cool cycles.

THREADED INSERTS



Key Inserts – Heavy Duty



Key Inserts – Thinwall



Key Inserts – Solid



**Key-Insert
Installation Tools**

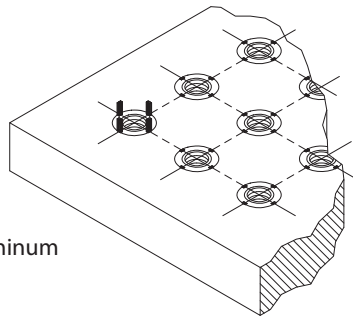
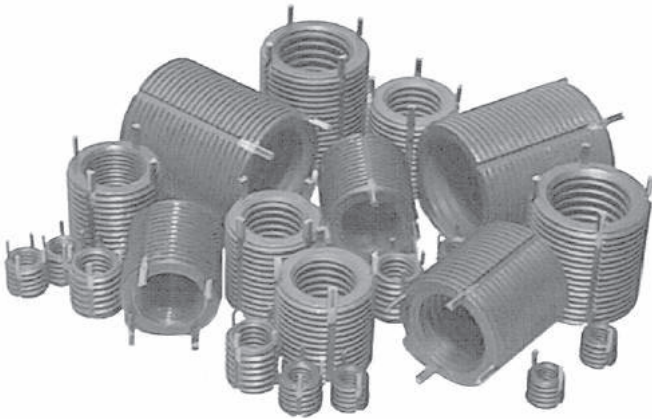


**Key-Insert
Assortments**



**Adhesive-Bonded
Fasteners**

KEY INSERTS

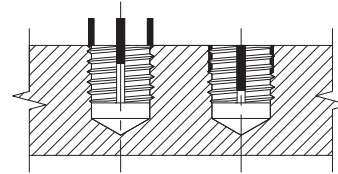


Key Inserts are often used to reinforce tapped holes in aluminum tooling plates.

These key-locking threaded inserts are ideal for thread reinforcement, especially when the mating stud or bolt will be removed frequently. They provide strong, permanent steel threads in any parent material — ferrous, non-ferrous, or non-metallic.

Key Inserts are also well suited for quick repair of stripped, damaged, or worn threads. A solid version is also available to use as a handy plug to relocate holes drilled or tapped on the wrong location.

Install with standard drills and taps. Important: Use tap drill specified in table (slightly larger than standard for that thread size). Tap-drill hole tolerance should be $-.001/+0.004$ ($-.001/+0.005$ above .500 dia).

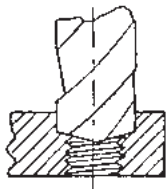


Locking keys are driven down into the parent material during installation, providing a positive mechanical lock against rotation. Inserts with an ID thread 5/16 and above have four locking keys, smaller sizes have two. Pull-out strength can be calculated approximately by the following formula:

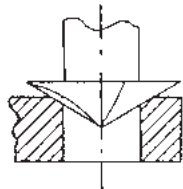
$$\text{Approximate pull-out strength} = \text{Shear engagement area of insert (see table)} \times \text{Minimum ultimate shear strength of parent material (psi)}$$

8

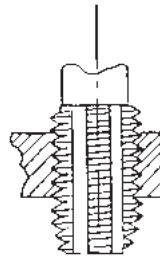
EASY INSTALLATION



1. Drill out old threads using tap drill specified in table (Important: Correct tap drill is slightly larger than standard for that thread size).



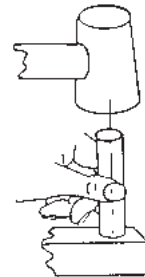
2. Countersink to diameter shown in table.



3. Tap new threads, using standard tap.

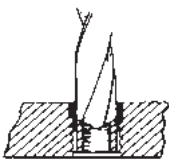


4. Screw in insert until body is slightly (.010 to .030 inches) below the surface, by hand or using installation tool. Keys act as a depth stop.

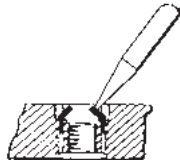


5. Drive keys down with several light hammer taps on installation tool (or directly on keys if no installation tool is available).

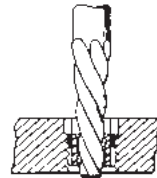
EASY REMOVAL



1. Drill out locking keys with specified drill diameter and depth (see table).



2. Deflect keys inward and break off.



3. Remove insert with an E-Z OUT type tool.



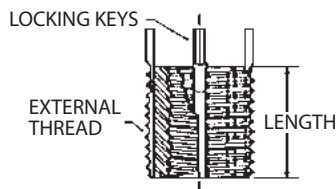
4. Screw replacement into original holes. Parent material is totally undamaged.

KEY INSERTS – HEAVY DUTY

BODY: 1215 STEEL, BLACK OXIDE FINISH. KEYS: 302 STAINLESS STEEL



Heavy Duty – Steel



For installation tools, see tables below.



Repair Kits shown below contain an installation tool and several Key Inserts of a given size.

General-purpose threaded inserts suitable for most applications. Available in USA ID-thread sizes from #10-24 to 1-1/2"-12, plus metric sizes from M5 to M24. Important: Use tap drill specified in table (slightly larger than standard for that thread size).

HEAVY DUTY – STEEL (INCH)

PART NO.	INSERT DIMENSIONS				INSTALLATION DATA							REMOVAL DATA	
	INTERNAL THREAD	EXTERNAL THREAD	LENGTH	SHEAR ENGAG. (SQ. IN.)	REQ'D TAP DRILL	C'SINK DIA	MIN. THREAD DEPTH	STANDARD TAP UN-2B	INSTALLATION TOOL PART NO.	REPAIR KIT PART NO.	INSERTS PER KIT	DRILL SIZE	DRILL DEPTH
CL-1024-KS	#10-24	3/8-16	.31	.190	Q	3/8	3/8	3/8-16	CL-10-KST	CL-1024-KSK	15	9/32	1/8
CL-1032-KS	#10-32									CL-1032-KSK			
CL-1420-KS	1/4-20	7/16-14	.37	.284	X	7/16	7/16	7/16-14	CL-14-KST	CL-1420-KSK	13	11/32	3/16
CL-1428-KS	1/4-28									CL-1428-KSK			
CL-51618-KS	5/16-18	1/2-13	.43	.359	29/64	1/2	1/2	1/2-13	CL-516-KST	CL-51618-KSK	8	13/32	3/16
CL-51624-KS	5/16-24									CL-51624-KSK			
CL-3816-KS	3/8-16	9/16-12	.50	.498	33/64	9/16	9/16	9/16-12	CL-38-KST	CL-3816-KSK	6	15/32	3/16
CL-3824-KS	3/8-24									CL-3824-KSK			
CL-71614-KS	7/16-14	5/8-11	.62	.717	37/64	5/8	11/16	5/8-11	CL-716-KST	CL-71614-KSK	6	17/32	3/16
CL-71620-KS	7/16-20									CL-71620-KSK			
CL-1213-KS	1/2-13	3/4-16	.62	1.057	45/64	3/4	11/16	3/4-16	CL-12-KST	CL-1213-KSK	5	21/32	3/16
CL-1220-KS	1/2-20									CL-1220-KSK			
CL-91612-KS	9/16-12	3/4-16	.81	1.057	45/64	3/4	7/8	3/4-16	CL-12-KST	CL-91612-KSK	3	21/32	3/16
CL-91618-KS	9/16-18									CL-91618-KSK			
CL-5811-KS	5/8-11	7/8-14	.87	1.487	53/64	7/8	1	7/8-14	CL-58-KST	CL-5811-KSK	2	25/32	3/16
CL-5818-KS	5/8-18									CL-5818-KSK			
CL-3410-KS	3/4-10	1-1/8"-12	1.12	2.490	1-1/16	1-1/8	1-5/16	1-1/8"-12	CL-34-KST	CL-3410-KSK	2	31/32	5/16
CL-3416-KS	3/4-16									CL-3416-KSK			
CL-789-KS	7/8-9	1-1/4"-12	1.25	3.137	1-3/16	1-1/4	1-7/16	1-1/4"-12	CL-34-KST	CL-789-KSK	2	1-3/32	5/16
CL-7814-KS	7/8-14									CL-7814-KSK			
CL-18-KS	1"-8	1-3/8"-12	1.37	3.838	1-5/16	1-3/8	1-9/16	1-3/8"-12	CL-1-KST	CL-18-KSK	2	1-7/32	5/16
CL-112-KS	1"-12									CL-112-KSK			
CL-1187-KS	1-1/8"-7	1-1/2"-12	1.62	4.752	1-7/16	1-1/2	1-11/16	1-1/2"-12	CL-118-KST	CL-1187-KSK	2	1-11/32	5/16
CL-11812-KS	1-1/8"-12									CL-11812-KSK			
CL-1147-KS	1-1/4"-7	1-5/8"-12	1.81	5.446	1-35/64	1-5/8	2	1-5/8"-12	CL-114-KST	CL-1147-KSK	2	1-15/32	5/16
CL-11412-KS	1-1/4"-12									CL-11412-KSK			
CL-1126-KS	1-1/2"-6	1-7/8"-12	2.00	7.103	1-51/64	1-7/8	2-3/16	1-7/8"-12	CL-112-KST	CL-1126-KSK	2	1-23/32	5/16
CL-11212-KS	1-1/2"-12									CL-11212-KSK			

HEAVY DUTY – STEEL (METRIC)

-	M5	M10x1.25	INFO+: AVAILABLE IN STAINLESS STEEL ONLY (PAGE 348)																					
-	M6	M12x1.25																						
-	M8	M14x1.5																						
-	M8x1																							
-	M10	M16x1.5																						
-	M10x1.25																							
-	M12	M18x1.5																						
-	M12x1.25																							
CLM-162-KSM	M16	M22x1.5												.87	1.390	20.5 or 13/16	.88	.96	M22x1.5	CL-58-KST	CLM-162-KSK	2	17.5mm or 11/16	1/4
CLM-1615-KSM	M16x1.5													CLM-1615-KSK										
CLM-2025-KSM	M20	M30x2	1.18	2.750	28mm or 1-7/64	1.19	1.36	M30x2	CL-34-KST	CLM-2025-KSK	2	26mm or 1-1/32	1/4											
CLM-2015-KSM	M20x1.5		CLM-2015-KSK																					
CLM-243-KSM	M24	M33x2	1.30	3.328	31mm or 1-7/32	1.31	1.48	M33x2	CLM-243-KSMT	CLM-243-KSK	2	29mm or 1-9/64	1/4											
CLM-242-KSM	M24x2		CLM-242-KSK																					

* Installation Tool included in Repair Kit.

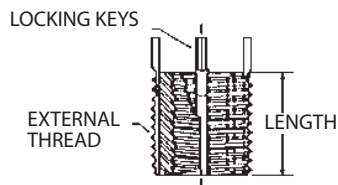
CONTINUED ON NEXT PAGE

KEY INSERTS – HEAVY DUTY

BODY: 303 STAINLESS STEEL. KEYS: 302 STAINLESS STEEL



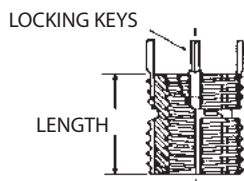
**Heavy Duty –
Stainless Steel**



Stainless steel version of our general-purpose threaded inserts with a thick, heavy-duty thread wall. Key Inserts are ideal for thread reinforcement, especially when the mating stud or bolt will be removed frequently. These stainless inserts provide strong, permanent stainless steel threads in any parent material, ferrous, non-ferrous, or non-metallic. Key Inserts are also well suited for quick repair of stripped, damaged, or worn threads. Locking keys positively prevent the insert from rotating.



**Heavy Duty –
Stainless Steel
Internal-Thread
Locking**



Stainless Key Inserts are optionally available with “Internal Thread Locking,” which uses a modified internal thread to prevent the installed bolt or stud from rotating. This feature is useful for one-time, permanent installations.

See Technical Information at the beginning of this section for complete installation steps. Key Inserts are installed with standard drills and taps. Important: Use exactly the tap-drill size specified in the tables (slightly larger than the standard tap drill for that thread size). Locking keys are driven down into the parent material during installation, providing a positive mechanical lock against rotation. See tables for optional installation tools.

HEAVY DUTY — STAINLESS STEEL (INCH)

PART NO.	INSERT DIMENSIONS				INSTALLATION DATA					REMOVAL DATA		MS EQUIVALENT	NAS EQUIVALENT
	INTERNAL THREAD	EXTERNAL THREAD	LENGTH	SHEAR ENGAG. (SQ. IN.)	REQ'D TAP DRILL	C'SINK DIA	MIN. THREAD LENGTH	STANDARD TAP UN-2B	INSTALLATION TOOL PART NO.	DRILL SIZE	DRILL DEPTH		
CL-1024-SKS	#10-24	3/8-16	.31	.190	.332	.385	.37	3/8-16	CL-10-KST	9/32	1/8	MS 51831-101	—
CL-1032-SKS	#10-32											MS 51831-201	NAS 1395C3
CL-1420-SKS	1/4-20	7/16-14	.37	.284	.397	.447	.43	7/16-14	CL-14-KST	11/32	3/16	MS 51831-102	—
CL-1428-SKS	1/4-28											MS 51831-202	NAS 1395C4
CL-51618-SKS	5/16-18	1/2-13	.43	.359	.453	.510	.50	1/2-13	CL-516-KST	13/32	3/16	MS 51831-103	—
CL-51624-SKS	5/16-24											MS 51831-203	NAS 1395C5
CL-3816-SKS	3/8-16	9/16-12	.50	.498	.516	.572	.56	9/16-12	CL-38-KST	15/32	3/16	MS 51831-104	—
CL-3824-SKS	3/8-24											MS 51831-204	NAS 1395C6
CL-1213-SKS	1/2-13	3/4-16	.62	1.057	.703	.750	.69	3/4-16	CL-12-KST	21/32	3/16	—	—
CL-1220-SKS	1/2-20											—	—
CL-5811-SKS	5/8-11	7/8-14	.87	1.487	.828	.885	1.00	7/8-14	CL-58-KST	25/32	3/16	MS 51831-108	—
CL-3410-SKS	3/4-10	1-1/8"-12	1.12	2.490	1.062	1.145	1.31	1-1/8"-12	CL-34-KST	31/32	5/16	MS 51831-109	—

HEAVY DUTY — STAINLESS STEEL INTERNAL THREAD LOCKING (INCH)

CL-1420-SKSL	1/4-20	7/16-14	.37	.197	.397	.447	.43	7/16-14	CL-14-KST	11/32	3/16	MS 51831-102L	—
CL-51618-SKSL	5/16-18	1/2-13	.43	.261	.453	.510	.50	1/2-13	CL-516-KST	13/32	3/16	MS 51831-103L	—
CL-3816-SKSL	3/8-16	9/16-12	.50	.384	.516	.572	.56	9/16-12	CL-38-KST	15/32	3/16	MS 51831-104L	—
CL-1213-SKSL	1/2-13	11/16-11NS	.68	.737	.641	.700	.75	11/16-11NS	CL-111611-KSST	19/32	3/16	MS 51831-106L	—
CL-5811-SKSL	5/8-11	7/8-14	.87	1.242	.828	.885	1.00	7/8-14	CL-58-KST	25/32	3/16	MS 51831-108L	—

HEAVY DUTY — STAINLESS STEEL (METRIC)

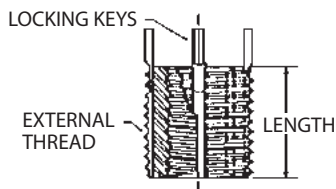
CLM-58-SKSM	M5	M10x1.25	.39	.275	8.8mm or S	.40	.45	M10x1.25	CL-10-KST	7.5mm or 19/64	.19	—	—
CLM-61-SKSM	M6	M12x1.25	.47	.413	10.8mm or 27/64	.48	.53	M12x1.25	CL-14-KST	9.5mm or 3/8	.19	—	—
CLM-8125-SKSM	M8	M14x1.5	.55	.530	13mm or 1/2	.56	.61	M14x1.5	CL-516-KST	11.5mm or 29/64	.19	—	—
CLM-81-SKSM	M8x1											—	—
CLM-1015-SKSM	M10	M16x1.5	.63	.729	15mm or 37/64	.64	.69	M16x1.5	CL-38-KST	13.5mm or 17/32	.19	—	—
CLM-10125-SKSM	M10x1.25											—	—
CLM-12175-SKSM	M12	M18x1.5	.71	.820	17mm or 21/32	.72	.77	M18x1.5	CL-12-KST	15.5mm or 39/64	.19	—	—
CLM-12125-SKSM	M12x1.25											—	—
CLM-162-SKS	M16	M22x1.5	.87	1.390	20.5mm or 13/16	.88	.96	M22x1.5	CLM-58-KSMT	17.5mm or 11/16	1/4	—	—
CLM-2025-SKS	M20	M30x2	1.18	2.750	28mm or 1-7/64	1.19	1.36	M30x2	CL-34-KST	26mm or 1-1/64	1/4	—	—
CLM-243-SKS	M24	M33x2	1.30	3.328	31mm or 1-7/32	1.31	1.48	M33x2	CLM-243-KSMT	29mm or 1-9/64	1/4	—	—

KEY INSERTS – THINWALL

BODY: 12L15 STEEL, BLACK OXIDE FINISH, OR 303 STAINLESS STEEL.
KEYS: 302 STAINLESS STEEL



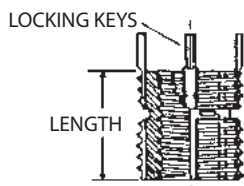
**Thinwall —
Steel and
Stainless Steel**



Thinwall Key Inserts have a smaller OD thread size than standard heavy-duty inserts, ideal for tight spaces where less pull-out strength is acceptable. Key Inserts are ideal for thread reinforcement, especially when the mating stud or bolt will be removed frequently. These stainless inserts provide strong, permanent stainless steel threads in any parent material, ferrous, non-ferrous, or non-metallic. Key Inserts are also well suited for quick repair of stripped, damaged, or worn threads. Locking keys positively prevent the insert from rotating.



**Thinwall —
Stainless Steel
Internal-Thread
Locking**



Stainless Key Inserts are optionally available with “Internal Thread Locking,” which uses a modified internal thread to prevent the installed bolt or stud from rotating. This feature is useful for one-time, permanent installations.

See Technical Information at the beginning of this section for complete installation steps. Key Inserts are installed with standard drills and taps. Important: Use exactly the tap-drill size specified in the tables (slightly larger than the standard tap drill for that thread size). Locking keys are driven down into the parent material during installation, providing a positive mechanical lock against rotation. See tables for optional installation tools.

THINWALL — STAINLESS STEEL (INCH)

PART NO.	INSERT DIMENSIONS				INSTALLATION DATA					REMOVAL DATA		MS EQUIVALENT	NAS EQUIVALENT
	INTERNAL THREAD	EXTERNAL THREAD	LENGTH	SHEAR ENGAG. (SQ. IN.)	REQ'D TAP DRILL	C'SINK DIA	MIN. THREAD LENGTH	STANDARD TAP UN-2B	INSTALLATION TOOL PART NO.	DRILL SIZE	DRILL DEPTH		
CL-1024-TSKS	#10-24				.272	.323	.37	5/16-18	CL-10-KST	7/32	5/32	MS 51830-105	—
CL-1032-TSKS	#10-32	5/16-18	.31	.152	.272	.323	.37	5/16-18	CL-10-KST	7/32	5/32	MS 51830-201	NAS 1394C3
CL-1420-TSKS	1/4-20				.332	.385	.43	3/8-16	CL-14-KST	9/32	3/16	MS 51830-106	—
CL-1428-TSKS	1/4-28	3/8-16	.37	.237	.332	.385	.43	3/8-16	CL-14-KST	9/32		MS 51830-202	NAS 1394C4
CL-51618-TSKS	5/16-18	7/16-14	.43	.305	.397	.447	.50	7/16-14	CL-516-KST	11/32		MS 51830-107	—
CL-3816-TSKS	3/8-16	1/2-13	.50	.430	.453	.510	.56	1/2-13	CL-38-KST	13/32		MS 51830-108	—
CL-1213-TSKS	1/2-13	5/8-11	.62	.718	.578	.635	.68	5/8-11	CL-12-KST	17/32		MS 51830-110	—

THINWALL — STAINLESS STEEL INTERNAL THREAD LOCKING (INCH)

CL-1032-TSKSL	#10-32	5/16-18	.31	.094	.272	.323	.37	5/16-18	CL-10-KST	7/32	5/32	MS 51830-201L	NAS 1394C3L
CL-1420-TSKSL	1/4-20	3/8-16	.37	.173	.332	.385	.43	3/8-16	CL-14-KST	9/32	3/16	MS 51830-106L	—
CL-51618-TSKSL	5/16-18	7/16-14	.43	.232	.397	.447	.50	7/16-14	CL-516-KST	11/32		MS 51830-107L	—
CL-3816-TSKSL	3/8-16	1/2-13	.50	.337	.453	.510	.56	1/2-13	CL-38-KST	13/32		MS 51830-108L	—
CL-1213-TSKSL	1/2-13	5/8-11	.68	.591	.578	.635	.68	5/8-11	CL-12-KST	17/32		MS 51830-110L	—

THINWALL — STEEL (METRIC)

CLM-58-KSM	M5	M8	.32	.163	6.9mm or I	.32	.36	M8	CL-10-KST	5.5mm or 7/32	5/32	—	—
CLM-61-KSM	M6	M10x1.25	.39	.275	8.8mm or S	.40	.45	M10x1.25	CL-14-KST	7.5mm or 19/64	3/16	—	—
CLM-8125-KSM	M8	M12x1.25	.47	.413	10.8mm or 27/64	.48	.54	M12x1.25	CL-516-KST	9.5mm or 3/8		—	—
CLM-81-KSM	M8x1											—	—
CLM-1015-KSM	M10	M14x1.5	.55	.530	13mm or 1/2	.56	.62	M14x1.5	CL-38-KST	11.5mm or 29/64		—	—
CLM-10125-KSM	M10x1.25											—	—
CLM-12175-KSM	M12	M16x1.5	.63	.729	15mm or 37/64	.63	.69	M16x1.5	CL-12-KST	13.5mm or 17/32		—	—

THINWALL — STAINLESS STEEL (METRIC)

CLM-58-SKS	M5	M8	.32	.163	6.9mm or I	.32	.36	M8	CL-10-KST	5.5mm or 7/32	5/32	—	—
CLM-61-SKS	M6	M10x1.25	.39	.275	8.8mm or S	.40	.45	M10x1.25	CL-14-KST	7.5mm or 19/64	3/16	—	—
CLM-8125-SKS	M8	M12x1.25	.47	.413	10.8mm or 27/64	.48	.54	M12x1.25	CL-516-KST	9.5mm or 3/8		—	—
CLM-81-SKS	M8x1											—	—
CLM-1015-SKS	M10	M14x1.5	.55	.530	13mm or 1/2	.56	.62	M14x1.5	CL-38-KST	11.5mm or 29/64		—	—
CLM-10125-SKS	M10x1.25											—	—
CLM-12175-SKS	M12	M16x1.5	.63	.729	15mm or 37/64	.63	.69	M16x1.5	CL-12-KST	13.5mm or 17/32		—	—

KEY INSERTS – SOLID

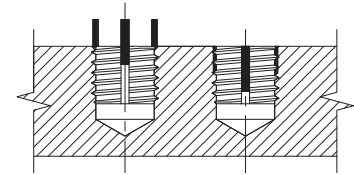
BODY: 12L15 STEEL, BLACK OXIDE FINISH, OR 303 STAINLESS STEEL.
KEYS: 302 STAINLESS STEEL



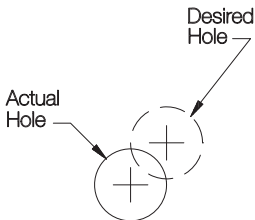
**Solid –
Steel and
Stainless Steel**

Solid Key Inserts are ideal for relocating a drilled or tapped hole. This threaded plug installs quickly, and the locking keys positively prevent the insert from rotating.

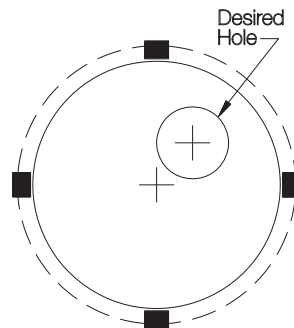
See Technical Information at the beginning of this section for complete installation steps. Key Inserts are installed with standard drills and taps. Important: Use exactly the tap-drill size specified in the tables (slightly larger than the standard tap drill for that thread size). Locking keys are driven down into the parent material during installation, providing a positive mechanical lock against rotation. See tables for optional installation tools.



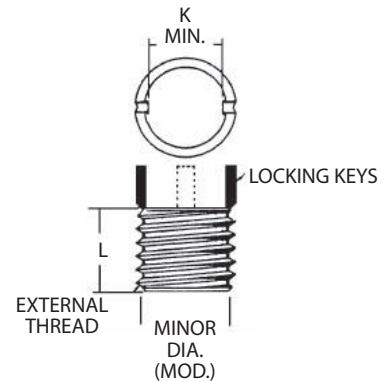
For installation tools, see table below.



Before Repair



After Repair



8

SOLID – STAINLESS STEEL (INCH)

PART NO.	INSERT DIMENSIONS				INSTALLATION DATA				REMOVAL DATA		
	EXTERNAL THREAD	L	K	SHEAR ENGAGEMENT (SQ. IN.)	REQ'D TAP DRILL	C' SINK DIA +.010/-000	STANDARD TAP UN-2B	MIN. THREAD DEPTH	INSTALLATION TOOL PART NO.	DRILL SIZE	DRILL DEPTH
CL-51618-KSS	5/16-18	.31	.216	.152	I	.323	5/16-18	.37	CL-51618-KSST	7/32	1/8
CL-3816-KSS	3/8-16	.31	.285	.190	Q	.385	3/8-16	.37	CL-3816-KSST	9/32	1/8
CL-71614-KSS	7/16-14	.37	.341	.284	X	.447	7/16-14	.43	CL-71614-KSST	11/32	3/16
CL-1213-KSS	1/2-13	.43	.403	.359	29/64	.510	1/2-13	.50	CL-1213-KSST	13/32	3/16
CL-91612-KSS	9/16-12	.50	.465	.498	33/64	.572	9/16-12	.56	CL-91612-KSST	15/32	3/16
CL-5811-KSS	5/8-11	.62	.528	.717	37/64	.635	5/8-11	.68	CL-5811-KSST	17/32	3/16
CL-111611-KSS	11/16-11-NS	.68	.590	.888	41/64	.700	11/16-11-NS	.75	CL-111611-KSST	19/32	3/16
CL-131616-KSS	13/16-16	.81	.716	1.249	49/64	.822	13/16-16	.94	CL-131616-KSST	23/32	3/16
CL-7814-KSS	7/8-14	.87	.778	1.487	53/64	.885	7/8-14	1.00	CL-7814-KSST	25/32	3/16
CL-11812-KSS	1-1/8"-12	1.12	.970	2.490	1-1/16	1.145	1-1/8"-12	1.31	CL-11812-KSST	31/32	5/16
CL-11412-KSS	1-1/4"-12	1.25	1.095	3.137	1-3/16	1.270	1-1/4"-12	1.41	CL-11412-KSST	1-3/32	5/16
CL-13812-KSS	1-3/8"-12	1.37	1.220	3.838	1-5/16	1.395	1-3/8"-12	1.56	CL-13812-KSST	1-7/32	5/16

SOLID – STEEL (METRIC)

CLM-8125-KSSM	M8	.31	.218	.154	6.9mm or I	.325	M8	.37	CLM-8125-KSST	5.5mm or 7/32	.16
CLM-10125-KSSM	M10 x 1.25	.39	.299	.209	8.8mm or S	.404	M10 x 1.25	.49	CLM-10125-KSST	7.5mm or M	.19
CLM-12125-KSSM	M12 x 1.5	.47	.368	.331	10.8mm or 27/64	.482	M12 x 1.25	.57	CLM-12125-KSST	9.5mm or 3/8	.19
CLM-1615-KSSM	M16 x 1.5	.63	.532	.728	14.75mm or 37/64	.640	M16 x 1.5	.73	CLM-1615-KSST	13.5mm or 17/32	.19
CLM-2015-KSSM	M20 x 1.5	.79	.694	1.173	18.75mm or 47/64	.797	M20 x 1.5	.89	CLM-2015-KSST	17.5mm or 11/16	.19
CLM-2415-KSSM	M24 x 1.5	.94	.815	1.757	22.5mm or 57/64	.955	M24 x 1.5	1.04	CLM-2415-KSST	19.75mm or 25/32	.25
CLM-302-KSSM	M30 x 2	1.18	1.035	2.800	28mm or 1-7/64	1.191	M30 x 2	1.36	CLM-302-KSST	25.75mm or 1-1/64	.25

KEY INSERT ASSORTMENTS



With Key Insert Assortments, you always have the right insert and installation tool on hand for thread repairs. Each of the four assortments contains many different insert sizes and an installation tool for each size. The durable case provides convenient storage and clear organization. **INFO+**: Order individual inserts on pages 347-350 as refills.



INFO+: To order repair kits for a single thread size, see page 347.

UNC COARSE

PART NO.	CONTAINS THESE INSERTS			CONTAINS THESE TOOLS
	QTY	ID THREAD	PART NO.	
CL-1-KS-C	5	#10-24	CL-1024-KS	CL-10-KST
	10	1/4-20	CL-1420-KS	CL-14-KST
	10	5/16-18	CL-51618-KS	CL-516-KST
	10	3/8-16	CL-3816-KS	CL-38-KST
	10	1/2-13	CL-1213-KS	CL-12-KST
	5	5/8-11	CL-5811-KS	CL-58-KST
	5	3/4-10	CL-3410-KS	CL-34-KST

UNC COARSE — STAINLESS STEEL

PART NO.	CONTAINS THESE INSERTS			CONTAINS THESE TOOLS
	QTY	ID THREAD	PART NO.	
CL-1-SKS-C	5	#10-24	CL-1024-KS	CL-10-KST
	10	1/4-20	CL-1420-KS	CL-14-KST
	10	5/16-18	CL-51618-KS	CL-516-KST
	10	3/8-16	CL-3816-KS	CL-38-KST
	10	1/2-13	CL-1213-KS	CL-12-KST
	10	5/8-11	CL-5811-KS	CL-58-KST
	5	3/4-10	CL-3410-KS	CL-34-KST

UNF FINE

PART NO.	CONTAINS THESE INSERTS			CONTAINS THESE TOOLS
	QTY	ID THREAD	PART NO.	
CL-1-KS-F	5	#10-24	CL-1032-KS	CL-10-KST
	10	1/4-20	CL-1428-KS	CL-14-KST
	10	5/16-18	CL-51624-KS	CL-516-KST
	10	3/8-16	CL-3824-KS	CL-38-KST
	10	1/2-13	CL-1220-KS	CL-12-KST
	10	5/8-11	CL-5818-KS	CL-58-KST
	5	3/4-10	CL-3416-KS	CL-34-KST

METRIC COARSE

PART NO.	CONTAINS THESE INSERTS			CONTAINS THESE TOOLS
	QTY	ID THREAD	PART NO.	
CLM-1-KSM-C	5	M5	CLM-58-KSM	CL-10-KST
	10	M6	CLM-61-KSM	CL-14-KST
	10	M8	CLM-8125-KSM	CL-516-KST
	10	M10	CLM-1015-KSM	CL-38-KST
	10	M12	CLM-12175-KSM	CL-12-KST
	10	M16	CLM-162-KSM	CL-58-KST
	5	M20	CLM-2025-KSM	CL-34-KST

SOLID — STAINLESS STEEL

PART NO.	CONTAINS THESE INSERTS			CONTAINS THESE TOOLS
	QTY	ID THREAD	PART NO.	
CL-1-KSS-S	5	5/16-18	CL-51618-KSS	CL-51618-KSST
	10	3/8-16	CL-3816-KSS	CL-3816-KSST
	10	1/2-13	CL-1213-KSS	CL-1213-KSST
	10	9/16-12	CL-91612-KSS	CL-91612-KSST
	10	5/8-11	CL-5811-KSS	CL-5811-KSST
	10	7/8-14	CL-7814-KSS	CL-7814-KSST
	5	1-1/8"-12	CL-11812-KSS	CL-11812-KSST

ADHESIVELY BONDED FASTENERS

STUDS & FLOATING NUT PLATES: 304 STAINLESS STEEL
 LANYARD MOUNT: PLASTIC

New Adhesively Bonded Fastener System!

This unique system of fasteners is designed to be adhesively bonded to almost any substrate – metal, plastic, or composite. This wide range of fasteners includes studs, floating nut plates, and lanyard mounts. The heart of this fastener system is our WELD MOUNT® No-Slide Adhesive, which is specifically formulated to be used with our adhesively bonded fasteners. This unique structural adhesive is a high-strength, high-viscosity methacrylate with incredible strength in both tension and shear, designed to hold any of our adhesively bonded fasteners without sliding or sagging, even on a vertical or overhead surface, with no need for fixturing.

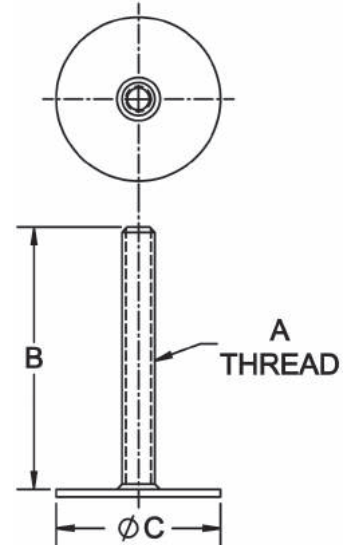
8



**Adhesively Bonded
Studs**



Our Adhesively Bonded Studs are heavy-duty structural parts that provide considerable tensile and shear strength. These studs can be attached to virtually any metal, plastic, or composite surface using our acrylic adhesive. They can be bonded on either surface of the base plate, bottom or top. Made of 304 stainless steel for excellent corrosion resistance. The largest two sizes are inertial (friction) welded to a 2" base plate, creating a very strong part with 1200 lbs tensile strength and 1500 lbs shear strength.

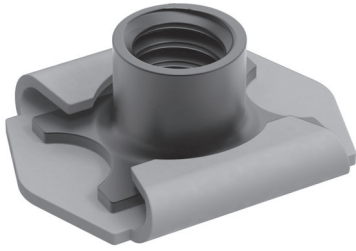


ADHESIVELY BONDED STUDS

PART NO.	A THREAD	B	C DIA	TENSILE STRENGTH (LBS)	SHEAR STRENGTH (LBS)
CL-1024-ABS-1.00-S	#10-24	1	1-1/4	500	650
CL-1420-ABS-1.50-S	1/4-20	1-1/2	1-1/4	500	650
CL-51618-ABS-1.50-S	5/16-18	1-1/2	2	1200	1500
CL-3816-ABS-2.00-S	3/8-16	2	2	1200	1500

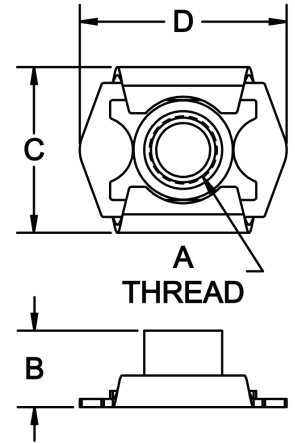
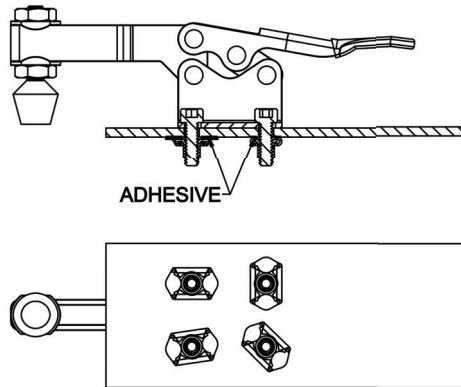
WELD MOUNT® is a registered trademark of Royal Adhesives and Sealants, LLC.

ADHESIVELY BONDED FASTENERS



Adhesively Bonded Floating Nut Plates

Floating Nut Plates have a captive threaded nut that floats to allow for accurate bolt alignment. Our adhesively bonded nut plates eliminate tapping. These nut plates can be used for either through-hole or blind-hole applications. Made of 304 stainless steel for excellent corrosion resistance. An included rubber fixture insert holds the nut plate stationary while it is bonded in place with acrylic adhesive, keeping the threads clean during installation. Remove the rubber fixture when you are ready to make up the assembly.



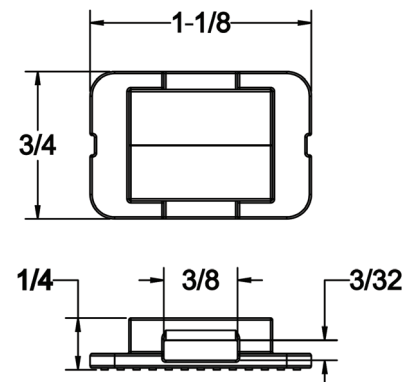
ADHESIVELY BONDED FLOATING NUT PLATES

PART NO.	A THREAD	B	C	D
CL-1024-FNP-S	#10-24	.24	.43	.73
CL-1420-FNP-S	1/4-20	.30	.50	.79



Adhesively Bonded Lanyard Mounts

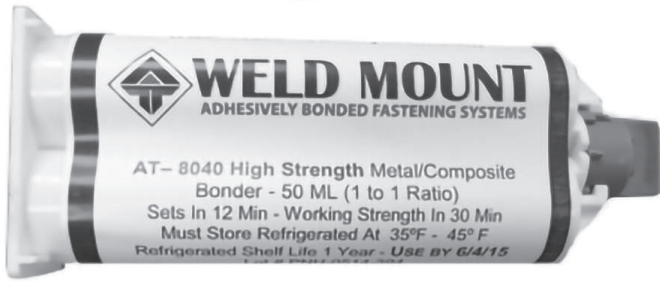
This heavy-duty lanyard mount is designed to be bonded with our acrylic adhesive, eliminating drilling, blocking, and tapping operations. Provides an excellent average pull strength of 150 lbs. These lanyard mounts fit wire-rope cable lanyards up to .094" diameter (#3) or wire ties up to .35" wide (#5).



ADHESIVELY BONDED LANYARD MOUNTS

PART NO. (PACK OF 10)	MAXIMUM LANYARD CABLE DIA	MAXIMUM WIRE-TIE WIDTH	AVERAGE PULL STRENGTH (LBS)
CL-5G-ABT-PACKOF10	.094 (#3)	.35	150

ADHESIVELY BONDED FASTENERS



WELD MOUNT® No-Slide Adhesive

WELD MOUNT® No-Slide Adhesive

This unique structural adhesive is specifically formulated to be used with our adhesively bonded fasteners. Adhesive CL-AT-8040 is a high-strength, high-viscosity methacrylate with incredible strength in both tension and shear, designed to hold any of our adhesively bonded fasteners without sliding or sagging, even on a vertical or overhead surface, with no need for fixturing.

CL-AT-8040 is a solvent-free, VOC-compliant, two-part methacrylate-based, structural adhesive formulated to bond metals, engineered thermoplastics and thermosetting plastics, and composites to most metal and composite substrates. It has excellent adhesion to metal surfaces including aluminum, stainless steel, galvanized steel, and plated steels. CL-AT-8040 forms a tough high-strength bond, with minimal surface preparation required, developing handling strength in 12 minutes and a functional cure within 45 minutes, making it ideal for production applications. Shear strength exceeds 3500 psi on aluminum, with remarkable impact and peel strengths. Comprehensive Care & Use Instructions are included with this product and can be found at www.carrlane.com. Note: this product ships to USA and Canada only, via air freight.

WELD MOUNT® NO-SLIDE ADHESIVE

PART NO.	CARTRIDGE SIZE	MIXING RATIO	REQUIRED DISPENSING GUN	REQUIRED MIXING TIP
CL-AT-8040	50ml	1:1	CL-AT-300	CL-AT-850

8



Adhesive Dispensing Gun

This dispensing gun is designed specifically for use with our WELD MOUNT® two-part adhesive CL-AT-8040, with dual plungers to mix at a 1:1 ratio.

ADHESIVE DISPENSING GUN

PART NO.	TYPE	MIXING RATIO
CL-AT-300	Dual plunger	1:1



Adhesive Mixing Tip

This 3.5"-long mixing tip is designed specifically for dispensing our CL-AT-8040 two-part adhesive using our CL-AT-300 Adhesive Dispensing Gun. Its unique design eliminates any possibility of the cartridge plugging up as the entry is separated. Sold in pack of 3.

ADHESIVE MIXING TIP

PART NO.	LENGTH
CL-AT-850-PACKOF3	3.5

ADHESIVELY BONDED FASTENERS

SIMPLE INSTALLATION

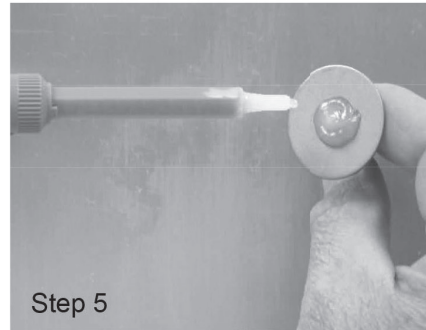
1



Step 1

Clean fastener and substrate with Scotchbrite (light scuff) and solvent.

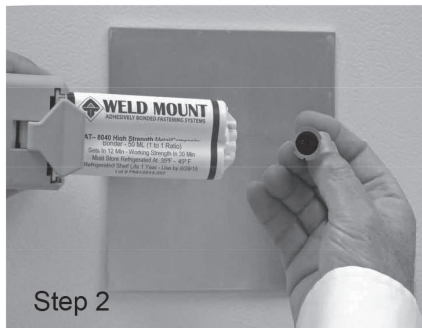
5



Step 5

Put a large drop of adhesive in the center of the part base.

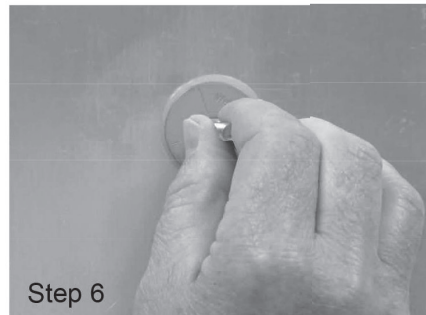
2



Step 2

Cap can only be installed one way, preventing cross contamination.

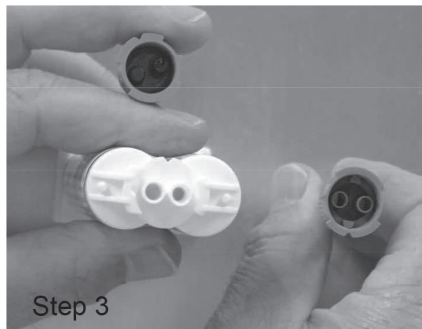
6



Step 6

Push part into the substrate to squeeze adhesive out from base.

3



Step 3

New cartridge design insures easy reuse of the adhesive.

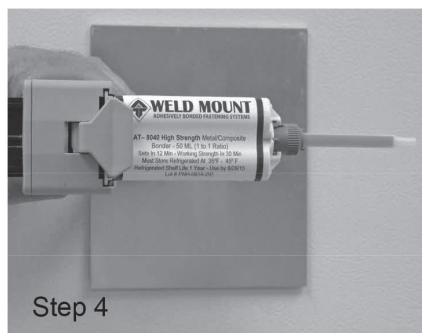
7



Step 7

Slowly turn part clockwise while pushing until it won't turn.

4



Step 4

Fit tip onto CL-AT-8040 cartridge.



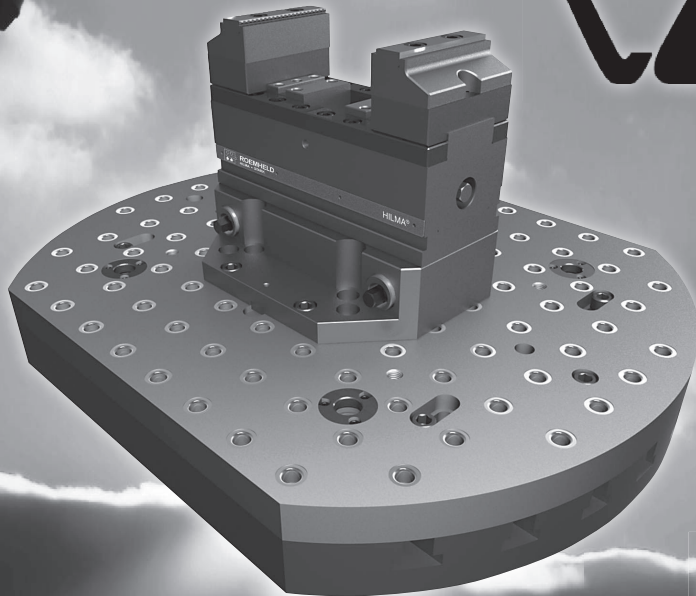
Traditional
Acrylic
Adhesive

CL-AT-8040
No Slide
Adhesive

8

Get the Highest Clamping Force

Quick-Change 5-Axis Workholding



The CL5 Advantage:

- 50% greater clamping force
- Setup in seconds – no adaptor plates, blocks or pallets necessary
- Holds the tightest of tolerances
- Unrestricted tool access for multiple-side machining
- A stronger, more precise hold



JIG AND FIXTURE BASES



Carr Lock® System



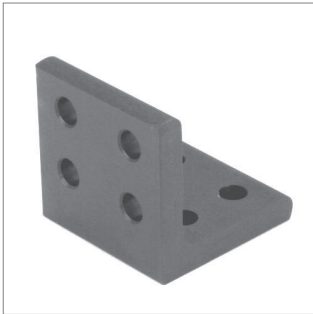
**CL5® Quick-Change
5-Axis Workholding**



Blank Tooling Plates



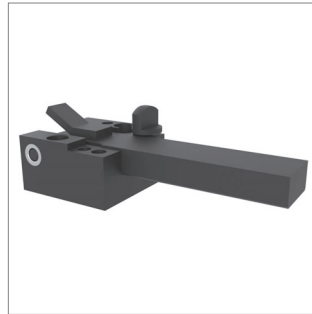
Blank Tooling Blocks



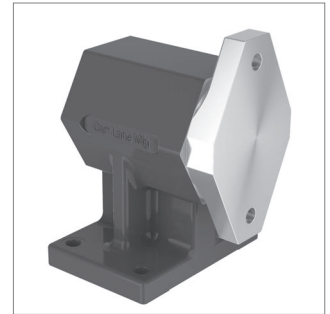
Angle Brackets



Cast Sections



Hinged Bushing Plates

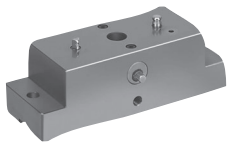


Trunnions



Adjustable Locking Hubs

Also see:



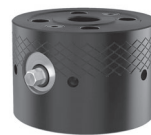
**Quintus Zero-Point
Quick-Change Risers**
pp. 178-186



**CARVESMART™
Dovetailed Quick-Change
Vise Jaw System**
SEE WEBSITE



**Modular Tooling
Plates & Blocks**
pp. 415-450



**DropZero™ Modular
Zero-Point System**
pp. 672-675



Precision Vises
pp. 656-657



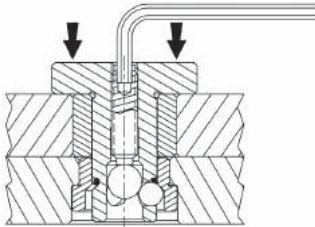
**Assembly & Handling
Technology**
pp. 734-735

CARR LOCK® SYSTEM

CLAMP BODY: 4340 STEEL, HEAT TREATED RC 40-45, BLACK OXIDE FINISH
 RECEIVER BUSHINGS: 4340 STEEL, HEAT TREATED RC 50-54, BLACK OXIDE FINISH
 LINERS: 1144 OR TOOL STEEL, HEAT TREATED RC 58-64, BLACK OXIDE FINISH



Carr Lock® Clamp

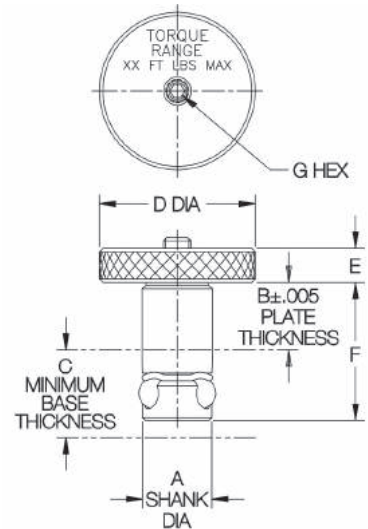


Turning the clamping screw with a hex wrench advances the large center ball, pushing the three clamping balls outward. These balls engage the angled ID of the Receiver Bushing, pulling the entire unit firmly downward.

The Carr Lock® System allows accurately locating and clamping at the same time, with just the turn of a hex wrench. Ideal for mounting quick-change tooling on a subplate. Each mount consists of three components: (1) a Carr Lock® Clamp with a precisely ground shank; (2) a Liner Bushing in the top plate; (3) a Receiver Bushing in the subplate. This compact assembly provides considerable holddown force, together with an incredible $\pm .0005$ inches repeatability!

Each top plate should have one Carr Lock® Clamp designated as its primary reference point, and one as its secondary reference point. These two clamps should be as far apart as possible. The secondary reference point should have a relieved liner to avoid redundant location (binding). Additional Carr Lock® Clamps can be used for more clamping force, but these should be installed in clearance holes, not locating liners. Note that the same Carr Lock® Clamp fits any type of liner or a clearance hole.

Carr Lock® Clamps must be used with one of the Receiver Bushings (**INFO+**) on page 360. Plate thickness must be $\pm .005$ inches to achieve proper clamping force. Special grip lengths for other plate thicknesses are available as specials. Do not exceed maximum screw torque shown.



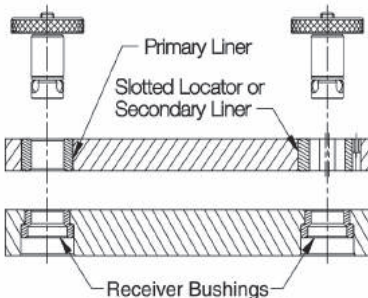
CARR LOCK® CLAMPS (INCH)

PART NO.	A SHANK DIA		B		C	D DIA	E	F	G	MAX SCREW TORQUE (FT-LBS)	MAX HOLD DOWN FORCE	SPARE PARTS KIT PART NO.*
	NOMINAL	ACTUAL	NOMINAL	ACTUAL								
CL-13-CLC-0.50	13mm	.5116	1/2	.500	.75	7/8	1/4	1.08	3/32	1	750	CL-13-CLPK-0.50
CL-13-CLC-0.75		.5111	3/4	.750				1.33				CL-13-CLPK-0.75
CL-16-CLC-0.50	16mm	.6297	1/2	.500	.75	1-1/2	5/16	1.15	1/8	2	1200	CL-16-CLPK-0.50
CL-16-CLC-0.75		.6292	3/4	.750				1.40				CL-16-CLPK-0.75
CL-20-CLC-0.75	20mm	.7872	3/4	.750	.83	1-3/4	3/8	1.53	1/8	3	3000	CL-20-CLPK-0.75
CL-20-CLC-1.00		.7867	1	1.000				1.78				CL-20-CLPK-1.00
CL-25-CLC-0.75	25mm	.9841	3/4	.750	1.00	2	3/8	1.70	5/32	7	7000	CL-25-CLPK-0.75
CL-25-CLC-1.00		.9836	1	1.000				1.95				CL-25-CLPK-1.00
CL-30-CLC-0.75	30mm	1.1809	3/4	.750	1.23	2-1/4	1/2	1.88	3/16	12	10000	CL-30-CLPK-0.75
CL-30-CLC-1.00		1.1804	1	1.000				2.13				CL-30-CLPK-1.00
CL-35-CLC-0.75	35mm	1.3778	3/4	.750	1.28	2-1/4	1/2	1.97	1/4	19	15500	CL-35-CLPK-0.75
CL-35-CLC-1.00			1	1.000				2.22				CL-35-CLPK-1.00
CL-35-CLC-1.50			1-1/2	1.500				2.72				CL-35-CLPK-1.50
CL-35-CLC-2.00			2	2.000				3.22				CL-35-CLPK-2.00
CL-50-CLC-1.00	50mm	1.9683	1	1.000	1.80	3	3/4	2.70	3/8	38	20000	CL-50-CLPK-1.00
CL-50-CLC-1.50			1-1/2	1.500				3.20				CL-50-CLPK-1.50
CL-50-CLC-2.00			2	2.000				3.70				CL-50-CLPK-2.00

CARR LOCK® CLAMPS (METRIC)

CLM-13-CLC-13	13mm	.5116	13mm	.512	.75	.87	.236	1.09	2.5mm	1	750	CLM-13-CLPK-13
CLM-13-CLC-20		.5111	20mm	.787				1.36				CLM-13-CLPK-20
CLM-16-CLC-20	16mm	.6297	20mm	.787	.75	1.50	.315	1.44	3mm	2	1200	CLM-16-CLPK-20
CLM-16-CLC-25		.6292	25mm	.984				1.63				CLM-16-CLPK-25
CLM-20-CLC-20	20mm	.7872	20mm	.787	.83	1.77	.394	1.56	3mm	3	3000	CLM-20-CLPK-20
CLM-20-CLC-25		.7867	25mm	.984				1.75				CLM-20-CLPK-25
CLM-25-CLC-20	25mm	.9841	20mm	.787	1.00	1.97	.394	1.73	4mm	7	7000	CLM-25-CLPK-20
CLM-25-CLC-25		.9836	25mm	.984				1.93				CLM-25-CLPK-25

* Spare Parts Kit includes screw, center ball, locking balls, and O-ring.



CARR LOCK® SYSTEM



Primary Liner Bushing



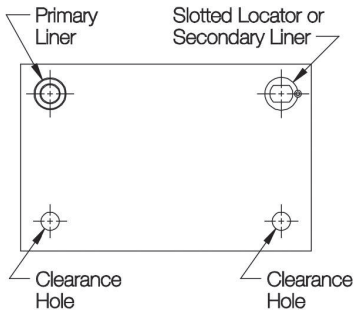
Secondary Liner Bushing



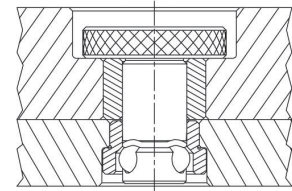
Slotted Locator Bushing

LINER BUSHINGS

Each top plate should have one Primary Liner, and one Secondary Liner or Slotted Locator Bushing. Primary Liners have a tight ID (+.0002/+.0007 tolerance) for precise reference in two axes. Secondary Liners have an extra .001" ID clearance (+.0012/+.0017 tolerance) to avoid binding. Slotted Locator Bushings provide better accuracy than Secondary Liners, but take a few extra steps to install (**INFO+**: see page 42 for instructions and additional dimensions). Slotted Locators have a tight ID tolerance in one direction and full relief in the perpendicular direction (available only in 16mm, 20mm, and 25mm diameters). Note: alternatively, two Primary Liners can be used for alignment if hole locations are held to ±.0002 inches.



To mount top plates with more than two Carr Lock® Clamps, use clearance holes .015-.030 inches over nominal size for the additional holes, instead of liner bushings, to avoid redundant location. (Still use four Receiver Bushings in the subplate.)



Extra-thick top plates can be counter-bored to achieve proper clamping thickness (hold thickness to ±.005). Special-length Carr Lock® Clamps are also available, as specials.

PRIMARY LINER BUSHINGS (INCH)

PART NO.	ID	LENGTH	OD	HOLE IN PLATE	
CL-13-CLPL-0.50	13mm	.50	.7518	.7504	
CL-13-CLPL-0.75		.75	.7514	.7509	
CL-16-CLPL-0.50	16mm	.50	1.0018	1.0004	
CL-16-CLPL-0.75		.75	1.0014	1.0009	
CL-20-CLPL-0.75	20mm	.75	1.3772	1.3758	
CL-20-CLPL-1.00		1.00	1.3768	1.3763	
CL-25-CLPL-0.75	25mm	.75	1.3772	1.3758	
CL-25-CLPL-1.00		1.00	1.3768	1.3763	
CL-30-CLPL-0.75	30mm	.75	1.7523	1.7509	
CL-30-CLPL-1.00		1.00	1.7519	1.7514	
CL-35-CLPL-0.75	35mm	.75	1.7523	1.7509	
CL-35-CLPL-1.00		1.00			1.7519
CL-35-CLPL-1.50	35mm	1.50	1.7519	1.7514	
CL-35-CLPL-2.00		2.00			
CL-50-CLPL-1.00	50mm	1.00	2.5025	2.5007	
CL-50-CLPL-1.50		1.50			2.5012
CL-50-CLPL-2.00		2.00			

(METRIC)

CLM-13-CLPL-13	13mm	.512	19mm	.7487
CLM-13-CLPL-20		.787		.7491
CLM-16-CLPL-20	16mm	.787	25mm	.9849
CLM-16-CLPL-25		.984		.9853
CLM-20-CLPL-20	20mm	.787	35mm	1.3787
CLM-20-CLPL-25		.984		1.3791
CLM-25-CLPL-20	25mm	.787	35mm	1.3787
CLM-25-CLPL-25		.984		1.3791

SECONDARY LINER BUSHINGS (INCH)

PART NO.	ID	LENGTH	OD	HOLE IN PLATE		
CL-13-CLSL-0.50	13mm	.50	.7518	.7504		
CL-13-CLSL-0.75		.75	.7514	.7509		
CL-16-CLSL-0.50	16mm	.50	1.0018	1.0004		
CL-16-CLSL-0.75		.75	1.0014	1.0009		
CL-20-CLSL-0.75	20mm	.75	1.3772	1.3758		
CL-20-CLSL-1.00		1.00	1.3768	1.3763		
CL-25-CLSL-0.75	25mm	.75	1.3772	1.3758		
CL-25-CLSL-1.00		1.00	1.3768	1.3763		
CL-30-CLSL-0.75	30mm	.75	1.7523	1.7509		
CL-30-CLSL-1.00		1.00	1.7519	1.7514		
CL-35-CLSL-0.75	35mm	.75	1.7523	1.7509		
CL-35-CLSL-1.00		1.00			1.7519	1.7514
CL-35-CLSL-1.50		1.50				
CL-35-CLSL-2.00	2.00					
CL-50-CLSL-1.00	50mm	1.00	2.5025	2.5007		
CL-50-CLSL-1.50		1.50			2.5012	
CL-50-CLSL-2.00		2.00				

(METRIC)

CLM-13-CLSL-13	13mm	.512	19mm	.7487
CLM-13-CLSL-20		.787		.7491
CLM-16-CLSL-20	16mm	.787	25mm	.9849
CLM-16-CLSL-25		.984		.9853
CLM-20-CLSL-20	20mm	.787	35mm	1.3787
CLM-20-CLSL-25		.984		1.3791
CLM-25-CLSL-20	25mm	.787	35mm	1.3787
CLM-25-CLSL-25		.984		1.3791

SLOTTED LOCATOR BUSHINGS (INCH)

PART NO.	ID	LENGTH	OD	HOLE IN PLATE
—	13mm	—	—	—
CLM-16-SLLB	16mm	.472	1.1815 1.1812	1.1806 1.1809
CLM-20-SLLB	20mm	.748	1.4177 1.4174	1.4168 1.4171
CLM-25-SLLB	25mm	.748	1.5752 1.5749	1.5743 1.5746
—	30mm	—	—	—
—	35mm	—	—	—
—	50mm	—	—	—

(METRIC)

—	13mm	—	—	—
CLM-16-SLLB	16mm	.472	30mm	1.1806 1.1809
CLM-20-SLLB	20mm	.748	36mm	1.4168 1.4171
CLM-25-SLLB	25mm	.748	40mm	1.5743 1.5746



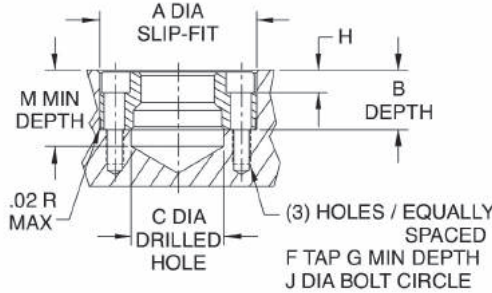
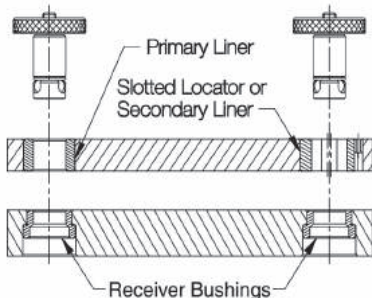
Face-Mount Receiver Bushing



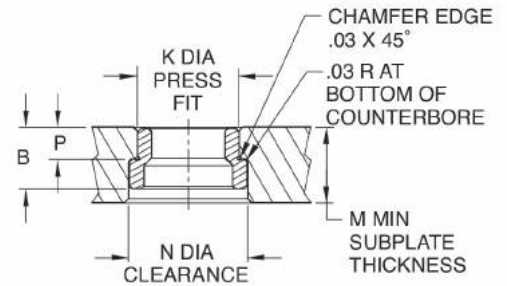
Back-Mount Receiver Bushing

RECEIVER BUSHINGS

Carr Lock® Clamps must be used in conjunction with one of these Receiver Bushings. Face-Mount Receiver Bushings can be bolted into a slip-fit bored hole from above, with three Socket-Head Cap Screws (furnished). Back-Mount Receiver Bushings are more compact, but take more effort to install. Back-mount bushings are installed in the subplate from below, with a slight press fit (measure actual bushing before boring hole to provide .0005 maximum press fit, to avoid I.D. distortion). With either bushing type, the installation holes must be jig bored for accurate size and location. Installed bushings will be approximately .012" below the subplate surface.



Face Mount Hole Dimensions



Back Mount Hole Dimensions

FACE-MOUNT RECEIVER BUSHINGS (INCH)

PART NO.	ID	A DIA		B		C	F	G	H	J DIA	M
		BUSHING	HOLE	BUSHING	HOLE						
CL-13-CLFR	13mm	1.3750	1.3750	.455	.469	.688	#8-32	.31	.180	.984	.75
		1.3746	1.3755		.471						
CL-16-CLFR	16mm	1.4370	1.4370	.455	.469	.812	#8-32	.31	.193	1.125	.75
		1.4366	1.4375		.471						
CL-20-CLFR	20mm	1.6873	1.6873	.623	.637	.812	#10-32	.38	.273	1.362	.83
		1.6869	1.6878		.639						
CL-25-CLFR	25mm	2.0623	2.0623	.785	.799	1.000	1/4-28	.50	.316	1.644	1.00
		2.0619	2.0628		.801						
CL-30-CLFR	30mm	2.2654	2.2654	.857	.871	1.188	1/4-28	.75	.316	1.876	1.23
		2.2650	2.2659		.873						
CL-35-CLFR	35mm	2.6873	2.6873	.890	.904	1.562	5/16-24	.88	.375	2.178	1.28
		2.6869	2.6878		.906						
CL-50-CLFR	50mm	3.4998	3.4998	1.225	1.239	2.156	3/8-24	1.00	.475	2.916	1.80
		3.4994	3.5003		1.241						

(METRIC)

CLM-13-CLFR	13mm	1.3776	1.3780	.455	.468	.531	M4	.39	.177	.984	.78
		1.3772	1.3783		.470						
CLM-16-CLFR	16mm	1.4563	1.4567	.455	.468	.650	M4	.39	.177	1.142	.78
		1.4559	1.4570		.470						
CLM-20-CLFR	20mm	1.7713	1.7717	.623	.637	.807	M5	.47	.236	1.378	.78
		1.7709	1.7720		.639						
CLM-25-CLFR	25mm	2.1650	2.1654	.785	.799	1.004	M6	.59	.276	1.654	.98
		2.1646	2.1657		.801						

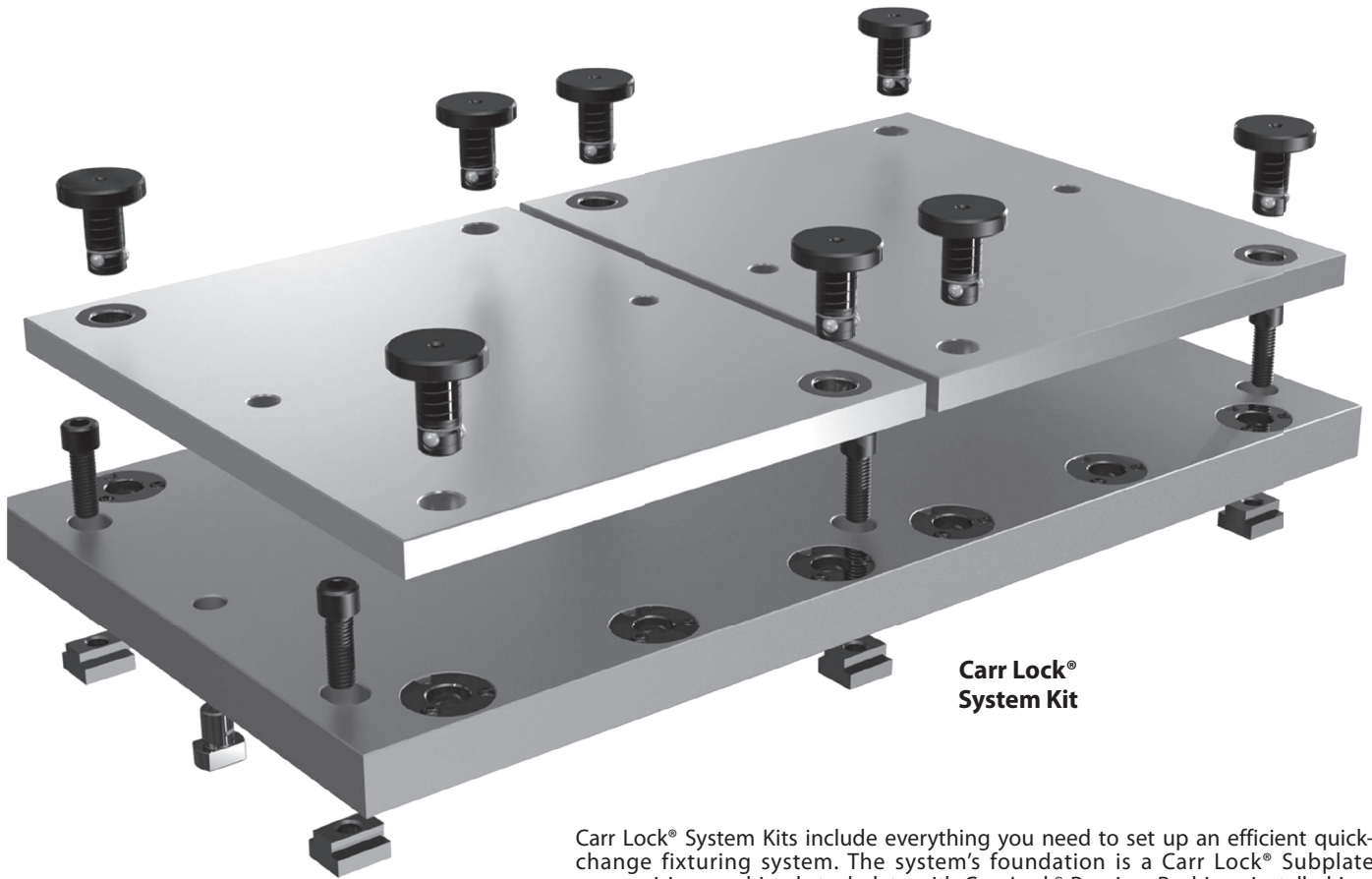
BACK-MOUNT RECEIVER BUSHINGS (INCH)

PART NO.	ID	B	K DIA		M	N DIA		
			BUSHING	HOLE		BUSHING	HOLE	P
CL-13-CLBR	13mm	.475	.7870	ACTUAL BUSHING K DIA -0.001 -0.0005	.75	.984	.995	.277
			.7866				1.005	.275
CL-16-CLBR	16mm	.475	.8760	ACTUAL BUSHING K DIA -0.001 -0.0005	.75	1.125	1.150	.285
			.8756				1.160	.283
CL-20-CLBR	20mm	.673	1.0950	ACTUAL BUSHING K DIA -0.001 -0.0005	.83	1.250	1.275	.345
			1.0946				1.285	.343
CL-25-CLBR	25mm	.826	1.3763	ACTUAL BUSHING K DIA -0.001 -0.0005	1.00	1.562	1.588	.416
			1.3759				1.598	.414
CL-30-CLBR	30mm	.857	1.6264	ACTUAL BUSHING K DIA -0.001 -0.0005	1.23	1.875	1.901	.432
			1.6260				1.911	.430
CL-35-CLBR	35mm	.990	1.8764	ACTUAL BUSHING K DIA -0.001 -0.0005	1.28	2.125	2.150	.493
			1.8760				2.160	.491
CL-50-CLBR	50mm	1.225	2.6269	ACTUAL BUSHING K DIA -0.001 -0.0005	1.80	2.937	2.963	.621
			2.6265				2.973	.619

(METRIC)

CLM-13-CLBR	13mm	.476	.7890	ACTUAL BUSHING K DIA -0.001 -0.0005	.78	.984	1.019	.273
			.7886				1.029	.271
CLM-16-CLBR	16mm	.476	.8677	ACTUAL BUSHING K DIA -0.001 -0.0005	.78	1.125	1.137	.286
			.8673				1.147	.284
CLM-20-CLBR	20mm	.673	1.1039	ACTUAL BUSHING K DIA -0.001 -0.0005	.78	1.268	1.294	.345
			1.1035				1.304	.343
CLM-25-CLBR	25mm	.826	1.3795	ACTUAL BUSHING K DIA -0.001 -0.0005	.98	1.583	1.609	.416
			1.3791				1.619	.414

CARR LOCK® SYSTEM



**Carr Lock®
System Kit**

Carr Lock® System Kits include everything you need to set up an efficient quick-change fixturing system. The system's foundation is a Carr Lock® Subplate – a precision-machined steel plate with Carr Lock® Receiver Bushings installed in a standard pattern. Carr Lock® System Kits also include one or more Carr Lock® Fixture Plates, plus all required Carr Lock® Clamps and subplate-mounting components.

The Carr Lock® System is extremely accurate. All Receiver-Bushing installation holes are located ± 0.0002 " from their primary reference hole. Clamping repeatability is ± 0.0005 ", while bushing concentricity is $.0002$ " TIR. The resulting x/y-axis repeatability of a mounted fixture plate is ± 0.0028 " considering all tolerance accumulation. Made in USA.

9

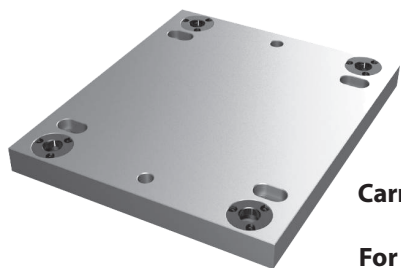
CARR LOCK® SYSTEM KITS

PART NO. CARR LOCK® SYSTEM KIT	FOR MACHINE	KIT INCLUDES CARR LOCK® SUBPLATE		KIT INCLUDES CARR LOCK® FIXTURE PLATES		KIT INCLUDES CARR LOCK® CLAMPS	KIT INCLUDES T NUTS AND SOCKET-HEAD CAP SCREWS	KIT INCLUDES FIXTURE KEYS
CL-1214-00-CLSK	HAAS® Mini Mill	12 x 14	CL-1214-00-CLSP	12 x 14	(1) CL-1214-00-CLFP	(4) CL-20-CLC-0.75	4	2
CL-1426-00-CLSK	HAAS® VF-1	14 x 26	CL-1426-00-CLSP	12 x 14	(2) CL-1214-00-CLFP	(8) CL-20-CLC-0.75	6	2
CL-1436-00-CLSK	HAAS® VF-2	14 x 36	CL-1436-01-CLSP	14 x 14	(2) CL-1414-00-CLFP	(8) CL-20-CLC-0.75	8	2
CL-1436-01-CLSK				Jigsaw	(3) CL-1016-01-CLFP	(9) CL-20-CLC-0.75		
CL-400400-00-CLSK	Various	400 x 400mm	CL-400400-00-CLSP	400 x 400mm	(1) CL-400400-00-CLFP	(4) CL-20-CLC-0.75	6	2
CL-1626-00-CLSK	HAAS® VF-1YT	16 x 26	CL-1626-00-CLSP	12 x 14	(2) CL-1214-00-CLFP	(8) CL-20-CLC-0.75	6	2
CL-1626-01-CLSK				Jigsaw	(2) CL-1016-01-CLFP	(6) CL-20-CLC-0.75		
CL-1636-00-CLSK	HAAS® VF-2YT	16 x 36	CL-1636-01-CLSP	14 x 14	(2) CL-1414-00-CLFP	(8) CL-20-CLC-0.75	8	2
CL-1636-01-CLSK				Jigsaw	(3) CL-1016-01-CLFP	(9) CL-20-CLC-0.75		
CL-5001000-00-CLSK	Various	500 x 1000mm	CL-5001000-01-CLSP	14 x 14	(2) CL-1414-00-CLFP	(8) CL-20-CLC-0.75	8	2
CL-5001000-01-CLSK				400 x 400mm	(2) CL-400400-00-CLFP	(8) CL-20-CLC-0.75		
CL-5001000-02-CLSK				500 x 500mm	(2) CL-500500-00-CLFP	(8) CL-25-CLC-1.00		
CL-5001000-03-CLSK				Jigsaw	(4) CL-1016-01-CLFP	(12) CL-20-CLC-0.75		

HAAS® is a registered trademark of HAAS® Automation, Inc.

CARR LOCK® SYSTEM

SUBPLATE: CARBON STEEL
 RECEIVER BUSHINGS: 4340 STEEL, HEAT TREATED RC 50-54, BLACK OXIDE FINISH

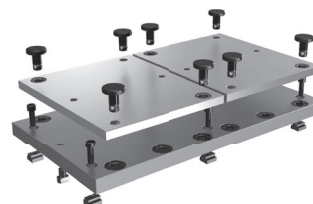
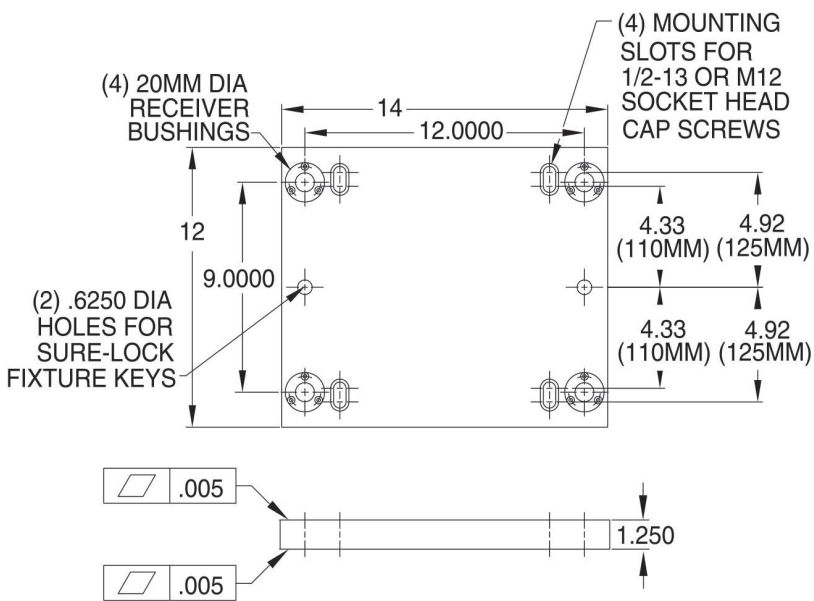


Carr Lock® Subplate
12 x 14
For HAAS® Mini Mill

Carr Lock® Subplates are precision-machined steel plates with Carr Lock® Receiver Bushings installed in a standard pattern. These subplates serve as the foundation of an efficient quick-change fixturing system. The 12 x 14 subplate shown here has (4) 20mm Face-Mount Receiver Bushings for mounting Fixture Plates.

Subplates should generally be large enough to cover most of the machine table, for maximum fixture flexibility, but should never extend beyond the machine table. For maximum quick-change benefits, subplates are usually left permanently on the machine table while only the mounted fixtures or vises are exchanged.

The Carr Lock® System is extremely accurate. All Receiver-Bushing installation holes are located $\pm .0002$ " from their primary reference hole. Clamping repeatability is $\pm .0005$ ", while bushing concentricity is $.0002$ " TIR. The resulting x/y-axis repeatability of a mounted fixture plate is $\pm .0028$ " considering all tolerance accumulation. Made in USA.



Carr Lock® System Kits

System Kits include everything you need to set up an efficient quick-change fixturing system. Kits include a Carr Lock® subplate, one or more Carr Lock® Fixture Plates, plus all required Carr Lock® Clamps and subplate-mounting components (Sure-Lock™ Fixture Keys, T Nuts, and Socket-Head Cap Screws).

CARR LOCK® SUBPLATE

PART NO.	FOR MACHINE	SUBPLATE SIZE	SUBPLATE THICKNESS	ACCEPTS CARR LOCK® FIXTURE PLATES	REQUIRES CARR LOCK® CLAMPS
CL-1214-00-CLSP	HAAS® MINI MILL	12 X 14	(4) CL-20-CLC-0.75	(1) CL-1214-00-CLFP	(4) CL-20-CLC-0.75

CARR LOCK® SYSTEM KIT

PART NO.	SYSTEM KIT INCLUDES					
	CARR LOCK® SUBPLATE 14 x 36	CARR LOCK® FIXTURE PLATE 14 x 14	CARR LOCK® CLAMPS 20mm	T NUTS 5/8	SOCKET-HEAD CAP SCREWS 1/2-13	SURE-LOCK™ FIXTURE KEYS 5/8
CL-1214-00-CLSK	(1) CL-1214-00-CLSP	(1) CL-1214-00-CLFP	(4) CL-20-CLC-0.75	(4) CL-2-TN	(4) CL-1/2-13X1.50-SHCS	(2) CL-6250-SLFK

CARR LOCK® SYSTEM

SUBPLATE: CARBON STEEL
RECEIVER BUSHINGS: 4340 STEEL, HEAT TREATED RC 50-54, BLACK OXIDE FINISH

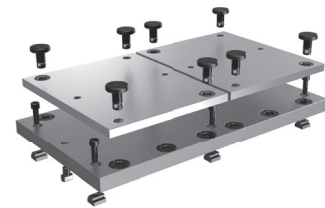
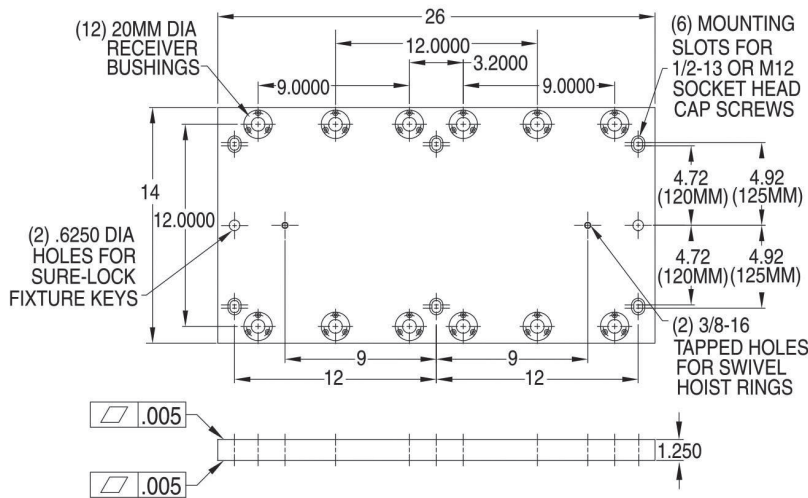


**Carr Lock® Subplate
14 x 26
For HAAS® VF-1**

Carr Lock® Subplates are precision-machined steel plates with Carr Lock® Receiver Bushings installed in a standard pattern. These subplates serve as the foundation of an efficient quick-change fixturing system. The 14 x 26 subplate shown here has (12) 20mm Face-Mount Receiver Bushings to allow mounting a variety of fixture plates.

Subplates should generally be large enough to cover most of the machine table, for maximum fixture flexibility, but should never extend beyond the machine table. For maximum quick-change benefits, subplates are usually left permanently on the machine table while only the mounted fixtures or vises are exchanged.

The Carr Lock® System is extremely accurate. All Receiver-Bushing installation holes are located ± 0.0002 " from their primary reference hole. Clamping repeatability is ± 0.0005 ", while bushing concentricity is 0.0002 " TIR. The resulting x/y-axis repeatability of a mounted fixture plate is ± 0.0028 " considering all tolerance accumulation. Made in USA.



Carr Lock® System Kits

System Kits include everything you need to set up an efficient quick-change fixturing system. Kits include a Carr Lock® Subplate, one or more Carr Lock® Fixture Plates, plus all required Carr Lock® Clamps and subplate-mounting components (Sure-Lock™ Fixture Keys, T Nuts, and Socket-Head Cap Screws).

CARR LOCK® SUBPLATE

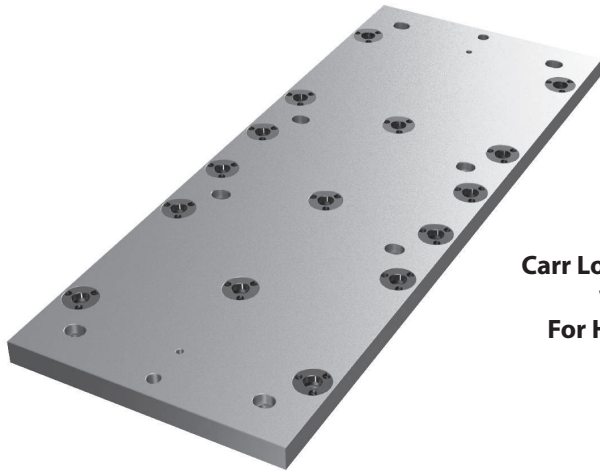
PART NO.	FOR MACHINE	SUBPLATE SIZE	SUBPLATE THICKNESS	ACCEPTS CARR LOCK® FIXTURE PLATES		REQUIRES CARR LOCK CLAMPS
CL-1426-00-CLSP	HAAS® VF-1	14 X 26	1.250	12 X 14	(2) CL-1214-00-CLFP	(8) CL-20-CLC-0.75
				12 X 14	(1) CL-1414-00-CLFP	(4) CL-20-CLC-0.75

CARR LOCK® SYSTEM KIT

PART NO.	SYSTEM KIT INCLUDES					
	CARR LOCK® SUBPLATE 14 x 36	CARR LOCK® FIXTURE PLATE 14 x 14	CARR LOCK® CLAMPS 20mm	T NUTS 5/8	SOCKET-HEAD CAP SCREWS 1/2-13	SURE-LOCK™ FIXTURE KEYS 5/8
CL-1426-00-CLSK	(1) CL-1426-00-CLSP	(2) CL-1214-00-CLFP	(8) CL-20-CLC-0.75	(6) CL-2-TN	(6) CL-1/2-13X1.50-SHCS	(2) CL-6250-SLFK

CARR LOCK® SYSTEM

SUBPLATE: CARBON STEEL
RECEIVER BUSHINGS: 4340 STEEL, HEAT TREATED RC 50-54, BLACK OXIDE FINISH

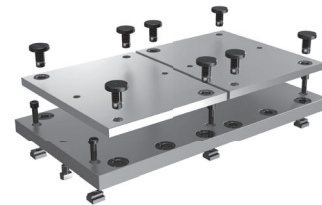
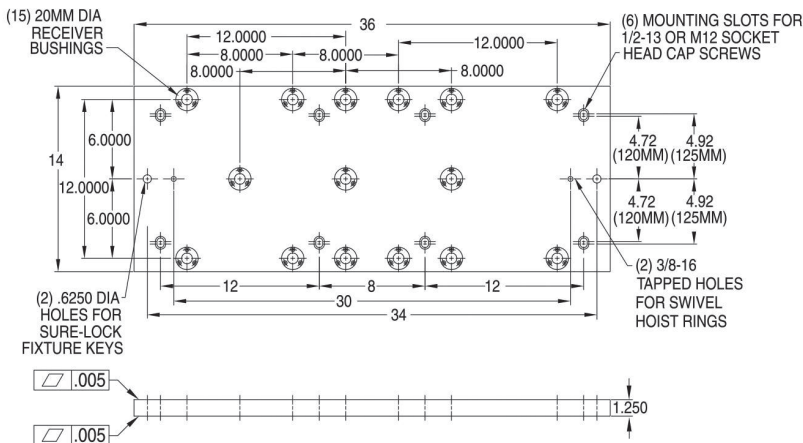


Carr Lock® Subplate
14 x 36
For HAAS® VF-2

Carr Lock® Subplates are precision-machined steel plates with Carr Lock® Receiver Bushings installed in a standard pattern. These subplates serve as the foundation of an efficient quick-change fixturing system. The 14 x 36 subplate shown here has (15) 20mm Face-Mount Receiver Bushings to allow mounting a variety of Fixture Plates and vise plates.

Subplates should generally be large enough to cover most of the machine table, for maximum fixture flexibility, but should never extend beyond the machine table. For maximum quick-change benefits, subplates are usually left permanently on the machine table while only the mounted fixtures or vises are exchanged.

The Carr Lock® System is extremely accurate. All Receiver-Bushing installation holes are located ± 0.0002 " from their primary reference hole. Clamping repeatability is ± 0.0005 ", while bushing concentricity is $.0002$ " TIR. The resulting x/y-axis repeatability of a mounted fixture plate is ± 0.0028 " considering all tolerance accumulation. Made in USA.



Carr Lock® System Kits

System Kits include everything you need to set up an efficient quick-change fixturing system. Kits include a Carr Lock® subplate, one or more Carr Lock® Fixture Plates, plus all required Carr Lock® Clamps and subplate-mounting components (Sure-Lock™ Fixture Keys, T Nuts, and Socket-Head Cap Screws).

CARR LOCK® SUBPLATE

PART NO.	FOR MACHINE	SUBPLATE SIZE	SUBPLATE THICKNESS	ACCEPTS CARR LOCK® FIXTURE PLATES		REQUIRES CARR LOCK® CLAMPS
				14 X 14 Jigsaw	(2) CL-1414-00-CLFP (3) C-1016-0L1-CLFP	(8) CL-20-CLC-0.75 (9) CL-20-CLC-0.75
CL-1436-01-CLSP	HAAS® VF-2	14 X 36	1.250			

CARR LOCK® SYSTEM KITS

PART NO.	SYSTEM KIT INCLUDES					
	CARR LOCK® SUBPLATE 14 x 36	CARR LOCK® FIXTURE PLATE 14 x 14	CARR LOCK® CLAMPS 20mm	T NUTS 5/8	SOCKET-HEAD CAP SCREWS 1/2-13	SURE-LOCK™ FIXTURE KEYS 5/8
CL-1436-00-CLSK	(1) CL-1436-01-CLSP	(2) CL-1414-00-CLFP	(8) CL-20-CLC-0.75	(8) CL-2-TN	(8) CL-1/2-13X1.50-SHCS	(2) CL-6250-SLFK
CL-1436-01-CLSK	(1) CL-1436-01-CLSP	(3) CL-1016-01-CLFP	(9) CL-20-CLC-0.75	(8) CL-2-TN	(8) CL-1/2-13X1.50-SHCS	(2) CL-6250-SLFK

CARR LOCK® SYSTEM

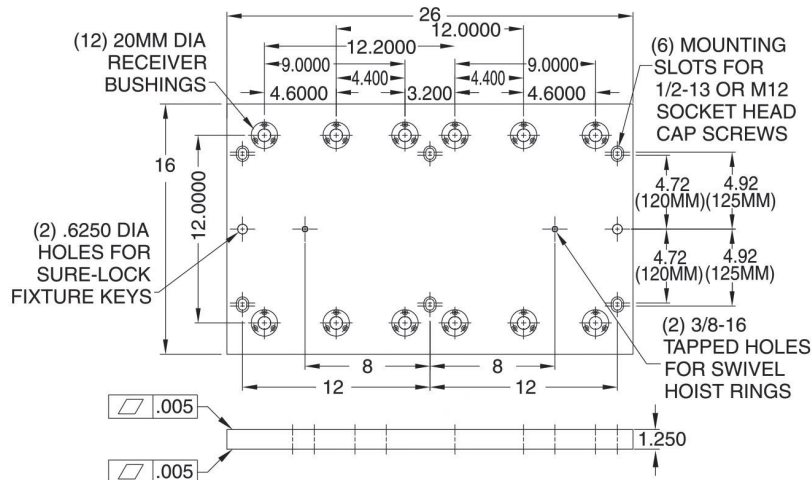
SUBPLATE: CARBON STEEL
RECEIVER BUSHINGS: 4340 STEEL, HEAT TREATED RC 50-54, BLACK OXIDE FINISH



Version 00



Version 01



Carr Lock® Subplates 16 x 26 For HAAS® VF-1YT

Carr Lock® Subplates are precision-machined steel plates with Carr Lock Receiver Bushings installed in a standard pattern. These subplates serve as the foundation of an efficient quick-change fixturing system. The 16 x 26 subplates shown here have either (12) or (8) 20mm Face-Mount Receiver Bushings, depending on the version, to allow mounting a variety of Fixture Plates and vise plates.

Subplates should generally be large enough to cover most of the machine table, for maximum fixture flexibility, but should never extend beyond the machine table. For maximum quick-change benefits, subplates are usually left permanently on the machine table while only the mounted fixtures or vises are exchanged.



Carr Lock® System Kits

System Kits include everything you need to set up an efficient quick-change fixturing system. Kits include a Carr Lock® subplate, one or more Carr Lock® Fixture Plates, plus all required Carr Lock® Clamps and subplate-mounting components (Sure-Lock™ Fixture Keys, T Nuts, and Socket-Head Cap Screws).

The Carr Lock® System is extremely accurate. All Receiver-Bushing installation holes are located ± 0.0002 " from their primary reference hole. Clamping repeatability is ± 0.0005 ", while bushing concentricity is $.0002$ " TIR. The resulting x/y-axis repeatability of a mounted fixture plate is ± 0.0028 " considering all tolerance accumulation. Made in USA.

CARR LOCK® SUBPLATES

PART NO.	FOR MACHINE	SUBPLATE SIZE	SUBPLATE THICKNESS	ACCEPTS CARR LOCK® FIXTURE PLATES		REQUIRES CARR LOCK® CLAMPS
CL-1626-00-CLSP	HAAS® VF-2	16 X 26	1.250	12 X 14	(2) CL-1214-00-CLFP	(8) CL-20-CLC-0.75
14 X 14				(1) CL-1414-00-CLFP	(4) CL-20-CLC-0.75	
400 x 400mm				(1) CL-400400-00-CLFP	(4) CL-20-CLC-0.75	
16 X 20				(1) CL-1620-00-CLFP	(4) CL-20-CLC-0.75	
CL-1626-01-CLSP				Jigsaw	(2) CL-1016-01-CLFP	(6) CL-20-CLC-0.75

CARR LOCK® SYSTEM KITS

PART NO.	SYSTEM KIT INCLUDES					
	CARR LOCK® SUBPLATES 16 x 26	CARR LOCK® FIXTURE PLATES 12 x 14	CARR LOCK® CLAMPS 20mm	T NUTS 5/8	SOCKET-HEAD CAP SCREWS 1/2-13	SURE-LOCK™ FIXTURE KEYS 5/8
CL-1626-00-CLSK	(1) CL-1626-00-CLSP	(2) CL-1214-00-CLFP	(8) CL-20-CLC-0.75	(6) CL-2-TN	(6) CL-1/2-13X1.50-SHCS	(2) CL-6250-SLFK
CL-1626-01-CLSK	(1) CL-1626-01-CLSP	(2) CL-1016-01-CLFP	(6) CL-20-CLC-0.75	(6) CL-2-TN	(6) CL-1/2-13X1.50-SHCS	(2) CL-6250-SLFK

CARR LOCK® SYSTEM

SUBPLATE: CARBON STEEL
RECEIVER BUSHINGS: 4340 STEEL, HEAT TREATED RC 50-54, BLACK OXIDE FINISH

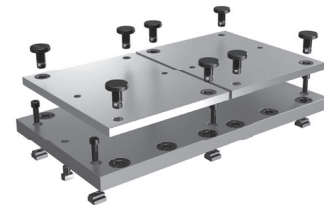
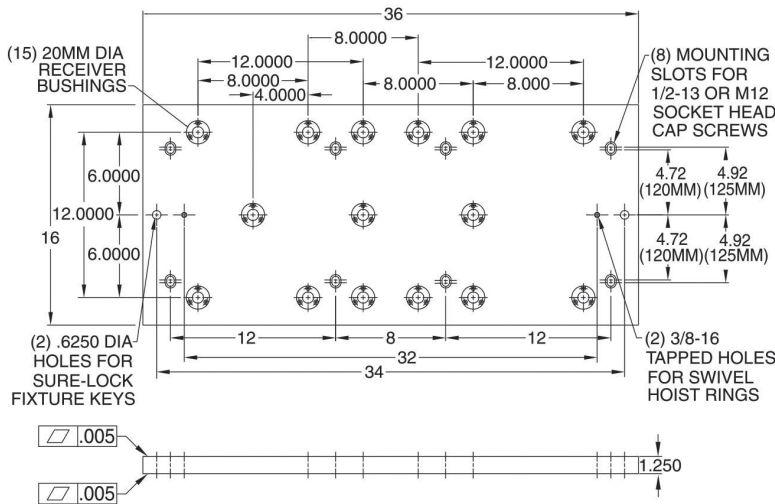


Carr Lock® Subplate
16 x 36
For HAAS® VF-2YT

Carr Lock® Subplates are precision-machined steel plates with Carr Lock® Receiver Bushings installed in a standard pattern. These subplates serve as the foundation of an efficient quick-change fixturing system. The 16 x 36 subplate shown here has (15) 20mm Face-Mount Receiver Bushings to allow mounting a variety of fixture plates and vise plates.

Subplates should generally be large enough to cover most of the machine table, for maximum fixture flexibility, but should never extend beyond the machine table. For maximum quick-change benefits, subplates are usually left permanently on the machine table while only the mounted fixtures or vises are exchanged.

The Carr Lock® System is extremely accurate. All Receiver-Bushing installation holes are located ± 0.0002 " from their primary reference hole. Clamping repeatability is ± 0.0005 ", while bushing concentricity is $.0002$ " TIR. The resulting x/y-axis repeatability of a mounted fixture plate is ± 0.0028 " considering all tolerance accumulation. Made in USA.



Carr Lock® System Kits

System Kits include everything you need to set up an efficient quick-change fixturing system. Kits include a Carr Lock® subplate, one or more Carr Lock® Fixture Plates, plus all required Carr Lock® Clamps and subplate-mounting components (Sure-Lock™ Fixture Keys, T Nuts, and Socket-Head Cap Screws).

CARR LOCK® SUBPLATES

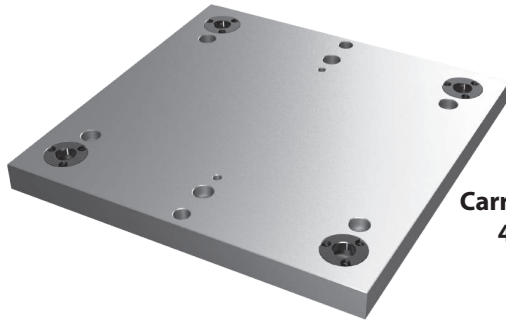
PART NO.	FOR MACHINE	SUBPLATE SIZE	SUBPLATE THICKNESS	ACCEPTS CARR LOCK® FIXTURE PLATES		REQUIRES CARR LOCK® CLAMPS
CL-1636-01-CLSP	HAAS® VF-2YT	16 X 36	1.250	14 X 14	(2) CL-1414-00-CLFP	(8) CL-20-CLC-0.75
				400 x 400mm	(2) CL-400400-00-CLFP	(8) CL-20-CLC-0.75
				16 x 20	(1) CL-1620-00-CLFP	(4) CL-20-CLC-0.75
				Jigsaw	(3) CL-1016-01-CLFP	(9) CL-20-CLC-0.75

CARR LOCK® SYSTEM KITS

PART NO.	SYSTEM KIT INCLUDES					
	CARR LOCK® SUBPLATE 16 x 36	CARR LOCK® FIXTURE PLATE 14 x 14	CARR LOCK® CLAMPS 20mm	T NUTS 5/8	SOCKET-HEAD CAP SCREWS 1/2-13	SURE-LOCK™ FIXTURE KEYS 5/8
CL-1636-00-CLSK	(1) CL-1636-01-CLSP	(2) CL-1414-00-CLFP	(8) CL-20-CLC-0.75	(8) CL-2-TN	(8) CL-1/2-13X1.50-SHCS	(2) CL-6250-SLFK
CL-1636-01-CLSK	(1) CL-1636-01-CLSP	(3) CL-1016-01-CLFP	(9) CL-20-CLC-0.75	(8) CL-2-TN	(8) CL-1/2-13X1.50-SHCS	(2) CL-6250-SLFK

CARR LOCK® SYSTEM

SUBPLATE: CARBON STEEL
RECEIVER BUSHINGS: 4340 STEEL, HEAT TREATED RC 50-54, BLACK OXIDE FINISH

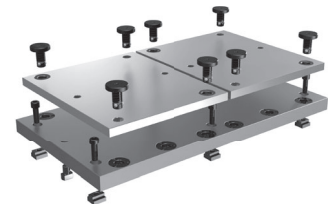
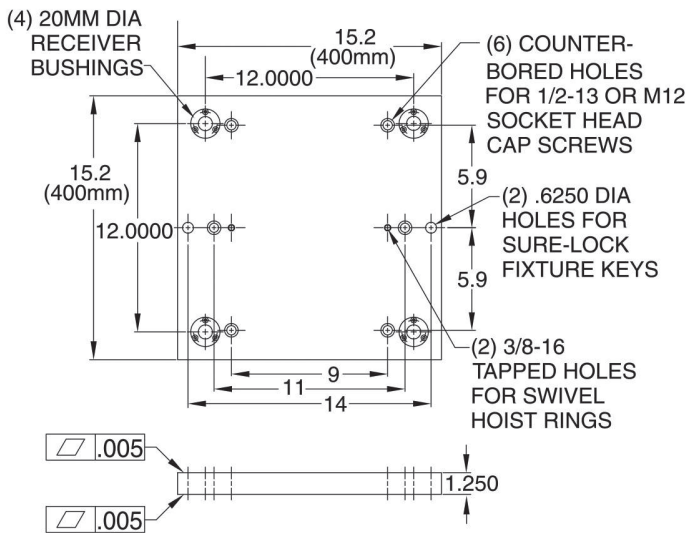


Carr Lock® Subplate
400 x 400mm

Carr Lock® Subplates are precision-machined steel plates with Carr Lock® Receiver Bushings installed in a standard pattern. These subplates serve as the foundation of an efficient quick-change fixturing system. The 400 x 400mm subplate shown here has (4) 20mm Face-Mount Receiver Bushings for mounting fixture plates.

Subplates should generally be large enough to cover most of the machine table, for maximum fixture flexibility, but should never extend beyond the machine table. For maximum quick-change benefits, subplates are usually left permanently on the machine table while only the mounted fixtures or vises are exchanged.

The Carr Lock® System is extremely accurate. All Receiver-Bushing installation holes are located ± 0.0002 " from their primary reference hole. Clamping repeatability is ± 0.0005 ", while bushing concentricity is $.0002$ " TIR. The resulting x/y-axis repeatability of a mounted fixture plate is ± 0.0028 " considering all tolerance accumulation. Made in USA.



Carr Lock® System Kits

System Kits include everything you need to set up an efficient quick-change fixturing system. Kits include a Carr Lock® subplate, one or more Carr Lock® Fixture Plates, plus all required Carr Lock® Clamps and subplate-mounting components (Sure-Lock™ Fixture Keys, T Nuts, and Socket-Head Cap Screws).

CARR LOCK® SUBPLATE

PART NO.	FOR MACHINE	SUBPLATE SIZE	SUBPLATE THICKNESS	ACCEPTS CARR LOCK® FIXTURE PLATES		REQUIRES CARR LOCK® CLAMPS
				400 x 400mm	14 X 14	
CL-400400-00-CLSP	Various	400 x 400mm	1.250	(1) CL-1214-00-CLFP	(1) CL-1414-00-CLFP	(4) CL-20-CLC-0.75

CARR LOCK® SYSTEM KIT

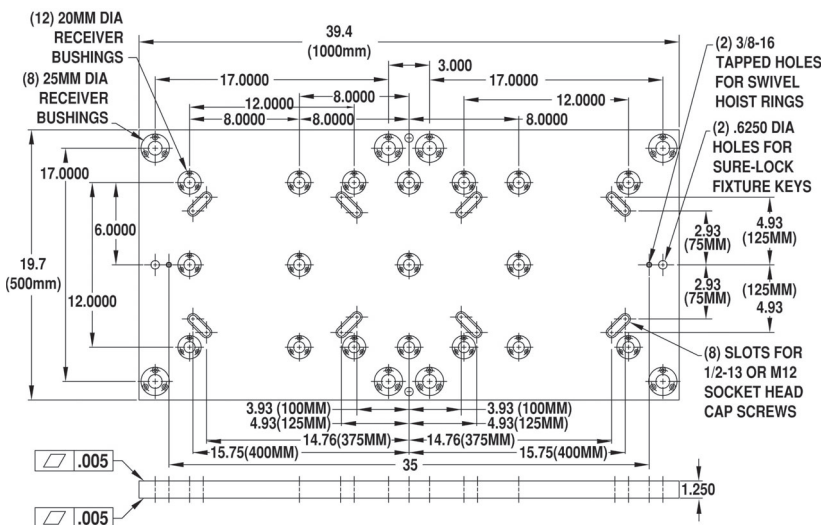
PART NO.	SYSTEM KIT INCLUDES					
	CARR LOCK® SUBPLATE 400 x 400mm	CARR LOCK® FIXTURE PLATE 400 x 400mm	CARR LOCK® CLAMPS 20mm	T NUTS 5/8	SOCKET-HEAD CAP SCREWS 1/2-13	SURE-LOCK™ FIXTURE KEYS 5/8
CL-400400-00-CLSK	(1) CL-400400-00-CLSP	(1) CL-400400-00-CLFP	(4) CL-20-CLC-0.75	(6) CL-2-TN	(6) CL-1/2-13X1.50-SHCS	(2) CL-6250-SLFK

CARR LOCK® SYSTEM

SUBPLATE: CARBON STEEL
 RECEIVER BUSHINGS: 4340 STEEL, HEAT TREATED RC 50-54, BLACK OXIDE FINISH



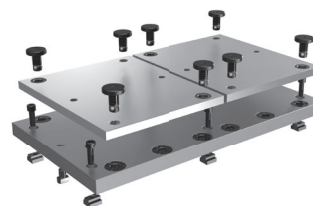
**Carr Lock® Subplate
500 x 1000mm**



Carr Lock® Subplates are precision-machined steel plates with Carr Lock® Receiver Bushings installed in a standard pattern. These subplates serve as the foundation of an efficient quick-change fixturing system. The 500 x 1000mm subplate shown here has (18) 20mm and (8) 25mm Face-Mount Receiver Bushings to allow mounting a variety of fixture plates and vise plates.

Subplates should generally be large enough to cover most of the machine table, for maximum fixture flexibility, but should never extend beyond the machine table. For maximum quick-change benefits, subplates are usually left permanently on the machine table while only the mounted fixtures or vises are exchanged.

The Carr Lock® System is extremely accurate. All Receiver-Bushing installation holes are located +/- .0002" from their primary reference hole. Clamping repeatability is +/- .0005", while bushing concentricity is .0002" TIR. The resulting x/y-axis repeatability of a mounted fixture plate is +/- .0028" considering all tolerance accumulation. Made in USA.



Carr Lock® System Kits

System Kits include everything you need to set up an efficient quick-change fixturing system. Kits include a Carr Lock® subplate, one or more Carr Lock® Fixture Plates, plus all required Carr Lock® Clamps and subplate-mounting components (Sure-Lock™ Fixture Keys, T Nuts, and Socket-Head Cap Screws).

CARR LOCK® SUBPLATE

PART NO.	FOR MACHINE	SUBPLATE SIZE	SUBPLATE THICKNESS	ACCEPTS CARR LOCK® FIXTURE PLATES	REQUIRES CARR LOCK® CLAMPS
CL-5001000-02-CLSP	Various	500 x 1000mm	1.250	14 X 14	(2) CL-1414-00-CLFP (8) CL-20-CLC-0.75
				400 x 400mm	(2) CL-400400-00-CLFP (8) CL-20-CLC-0.75
				16 x 20	(1) CL-1620-00-CLFP (4) CL-20-CLC-0.75
				500 x 500mm	(2) CL-500500-00-CLFP (8) CL-25-CLC-1.00
				Jigsaw	(4) CL-1016-01-CLFP (12) CL-20-CLC-0.75

CARR LOCK® SYSTEM KITS

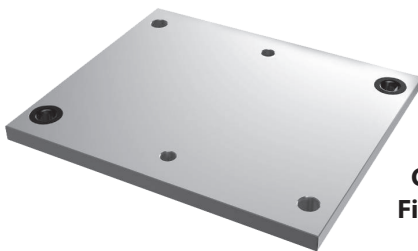
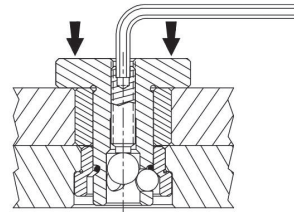
PART NO.	SYSTEM KIT INCLUDES					
	CARR LOCK® SUBPLATES 14 x 26	CARR LOCK® FIXTURE PLATES 12 x 14	CARR LOCK® CLAMPS 20mm	T NUTS 5/8	SOCKET-HEAD CAP SCREWS 1/2-13	SURE-LOCK™ FIXTURE KEYS 5/8
CL-5001000-00-CLSK	(1) CL-5001000-02-CLSP	(2) CL-1414-00-CLFP	(8) CL-20-CLC-0.75	(8) CL-3-TN	(8) CL-1/2-13X1.50-SHCS	(2) CL-18-SLFK
CL-5001000-01-CLSK	(1) CL-5001000-02-CLSP	(2) CL-400400-00-CLFP	(8) CL-20-CLC-0.75	(8) CL-3-TN	(8) CL-1/2-13X1.50-SHCS	(2) CL-18-SLFK
CL-5001000-02-CLSK	(1) CL-5001000-02-CLSP	(2) CL-500500-00-CLFP	(8) CL-25-CLC-1.00	(8) CL-3-TN	(8) CL-1/2-13X1.50-SHCS	(2) CL-18-SLFK
CL-5001000-03-CLSK	(1) CL-5001000-02-CLSP	(4) CL-1016-01-CLFP	(12) CL-20-CLC-0.75	(8) CL-3-TN	(8) CL-1/2-13X1.50-SHCS	(2) CL-18-SLFK

CARR LOCK® SYSTEM

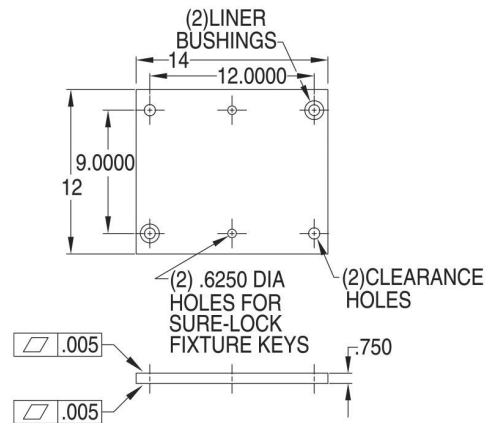
FIXTURE PLATE: MIC-6 PRECISION-MACHINED CAST ALUMINUM
LINER BUSHINGS: 1144 STEEL, HEAT TREATED RC 58-64, BLACK OXIDE FINISH

Carr Lock® Fixture Plates

Carr Lock® Fixture Plates are precision-machined MIC-6 cast aluminum plates available in a wide range of standard sizes to use as a base for building quick-change fixtures. To fasten the Carr Lock® Fixture Plate to a subplate, begin by inserting a Carr Lock® Clamp into each of the four corner holes. Next, fully tighten the clamps one at a time – first the clamp in the primary liner bushing, then the clamp in the secondary liner bushing, then the clamps in the clearance holes. Made in USA.



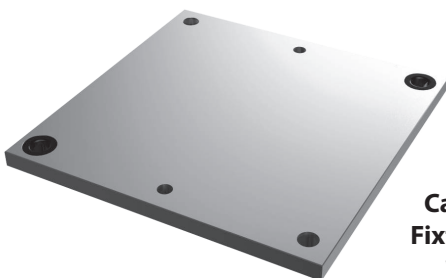
**Carr Lock®
Fixture Plate
12 x 14**



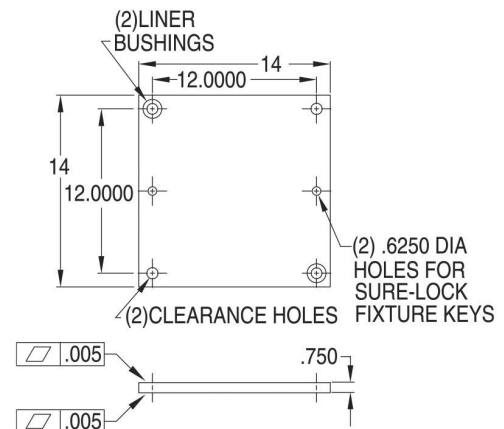
These 12 x 14 fixture plates have four 20mm mounting holes – a primary liner, a secondary liner, and two clearance holes. They also have two fixture-key holes for conventional mounting directly on a slotted machine table using Sure-Lock™ Fixture Keys.

CARR LOCK® FIXTURE PLATE — 12 X 14

PART NO.	PLATE SIZE	PLATE THICKNESS	REQUIRES CARR LOCK® CLAMPS	CARR LOCK® CLAMP SPACING
CL-1214-00-CLFP	12 X 14	.750	(4) CL-25-CLC-0.75	9 X 12



**Carr Lock®
Fixture Plate
14 x 14**



These 14 x 14 fixture plates have four 20mm mounting holes – a primary liner, a secondary liner, and two clearance holes. They also have two fixture-key holes for conventional mounting directly on a slotted machine table using Sure-Lock™ Fixture Keys.

CARR LOCK® FIXTURE PLATE — 14 X 14

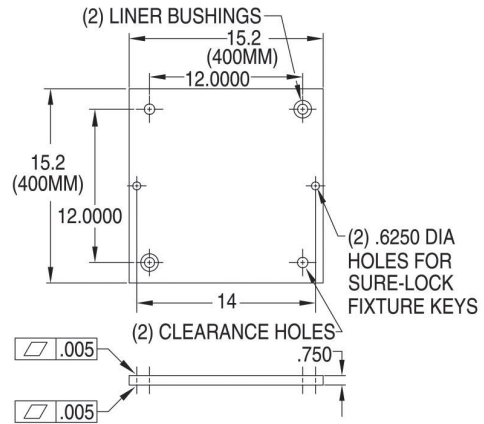
PART NO.	PLATE SIZE	PLATE THICKNESS	REQUIRES CARR LOCK® CLAMPS	CARR LOCK® CLAMP SPACING
CL-1414-00-CLFP	14 X 14	.750	(3) CL-20-CLC-0.75	12 X 12

CARR LOCK® SYSTEM

FIXTURE PLATE: MIC-6 PRECISION-MACHINED CAST ALUMINUM
 LINER BUSHINGS: 1144 STEEL, HEAT TREATED RC 58-64, BLACK OXIDE FINISH



**Carr Lock®
 Fixture Plate
 400 x 400mm**

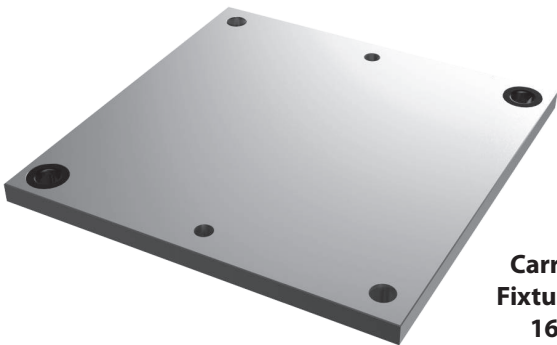


These 400 x 400mm fixture plates have four 20mm mounting holes – a primary liner, a secondary liner, and two clearance holes. They also have two fixture-key holes for conventional mounting directly on a slotted machine table using Sure-Lock™ Fixture Keys.

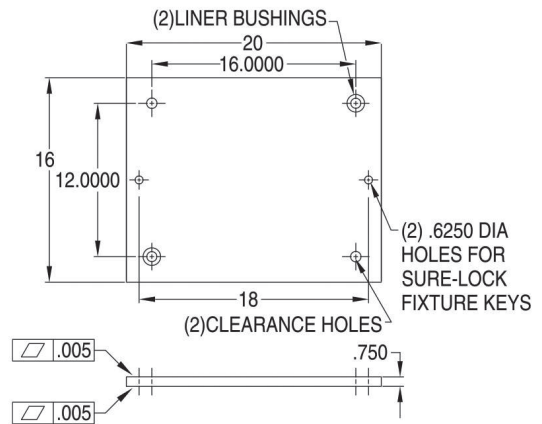
CARR LOCK® FIXTURE PLATE — 400 x 400mm

PART NO.	PLATE SIZE	PLATE THICKNESS	REQUIRES CARR LOCK® CLAMPS	CARR LOCK® CLAMP SPACING
CL-400400-00-CLFP	400 x 400	.750	(4) CL-20-CLC-0.75	12 X 12

9



**Carr Lock®
 Fixture Plate
 16 x 20**



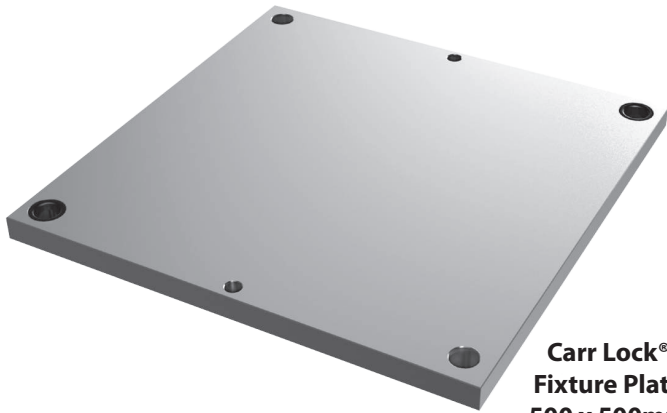
These 16 x 20 fixture plates have four 20mm mounting holes – a primary liner, a secondary liner, and two clearance holes. They also have two fixture-key holes for conventional mounting directly on a slotted machine table using Sure-Lock™ Fixture Keys.

CARR LOCK® FIXTURE PLATE — 16 x 20

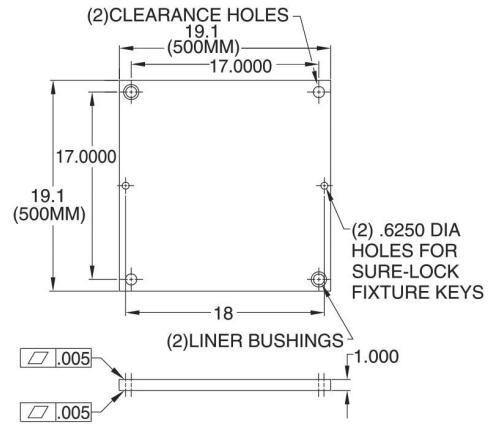
PART NO.	PLATE SIZE	PLATE THICKNESS	REQUIRES CARR LOCK® CLAMPS	CARR LOCK® CLAMP SPACING
CL-1620-00-CLFP	16 x 20	.750	(4) CL-20-CLC-0.75	12 X 16

CARR LOCK® SYSTEM

FIXTURE PLATE: MIC-6 PRECISION-MACHINED CAST ALUMINUM
 LINER BUSHINGS: 1144 STEEL, HEAT TREATED RC 58-64, BLACK OXIDE FINISH



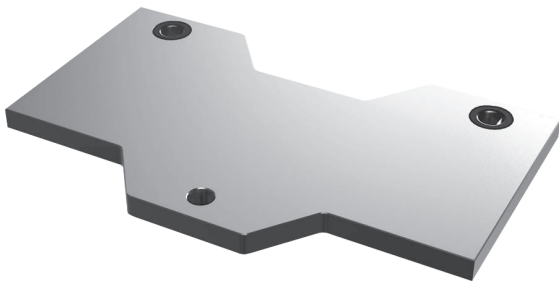
**Carr Lock®
 Fixture Plate
 500 x 500mm**



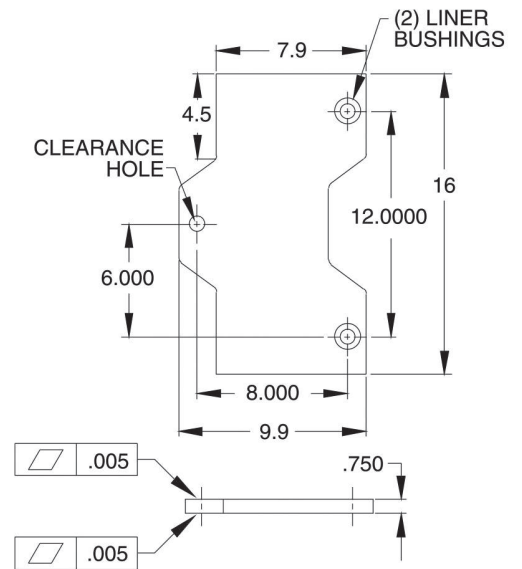
These 500 x 500mm fixture plates have four 25mm mounting holes – a primary liner, a secondary liner, and two clearance holes. They also have two fixture-key holes for conventional mounting directly on a slotted machine table using Sure-Lock™ Fixture Keys.

CARR LOCK® FIXTURE PLATE — 500 x 500mm

PART NO.	PLATE SIZE	PLATE THICKNESS	REQUIRES CARR LOCK® CLAMPS	CARR LOCK® CLAMP SPACING
CL-500500-00-CLFP	500x500	1.000"	(4) CL-25-CLC-1.000	17x17



**Carr Lock®
 Jigsaw Vise Plate
 10 x 16**



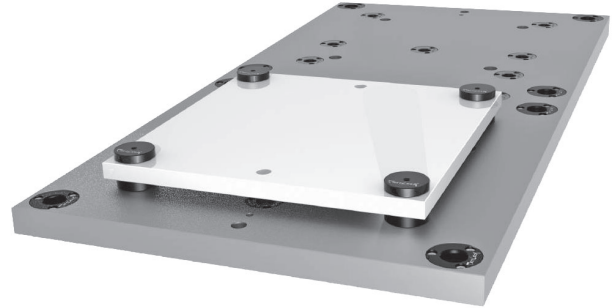
Jigsaw Vise Plates have an interlocking design to allow mounting vises and other narrow fixtures close together. These 10 x 16 plates have three 20mm mounting holes – a primary liner, a secondary liner, and a clearance hole.

CARR LOCK® JIGSAW VISE PLATE — 10 x 16

PART NO.	PLATE SIZE	PLATE THICKNESS	REQUIRES CARR LOCK® CLAMPS	CARR LOCK® CLAMP SPACING
CL-1016-01-CLFP	10 x 16	.750	(3) CL-20-CLC-0.75	8 x 12

CARR LOCK® SYSTEM

FIXTURE MACHINING KITS



Carr Lock® Fixture Machining Kits are extremely useful for machining a fixture using its Carr Lock® mounting holes as an absolute reference. The kit consists of four extra-long Carr Lock® Clamps, used together with four precision-height spacers, providing ample clearance underneath the fixture plate to allow through-hole machining without damaging the subplate. The kit also includes an extra four spacers to use as additional supports under large plates, all in a handy carrying case. Made in USA.

FIXTURE MACHINING KITS

PART NO.	CARR LOCK® CLAMP DIAMETER	FOR FIXTURE-PLATE THICKNESS	SPACER HEIGHT	SPACER OD
CL-20-CLMK-0.75	20mm	.750	.500	1-3/4
CL-25-CLMK-0.75	25mm	.750	.750	2
CL-25-CLMK-1.00		1.000	.500	2



These handy Preset Torque Wrenches are designed to tighten Carr Lock® Clamps exactly to their maximum recommended torque, ensuring that maximum hold-down force is achieved without over-tightening. The wrench body shown here is used for the first three Carr Lock® Clamp sizes – 13mm, 16mm, and 20mm – each preset to the torque recommended for that size, and with the appropriate hex key. A slightly larger wrench body is used for the 25mm size. Torque accuracy is +/-10%.

PRESET TORQUE WRENCHES

PART NO.	FOR CARR LOCK® CLAMP DIA	PRESET TORQUE (FT-LBS)	HEX KEY SIZE	HANDLE LENGTH	HANDLE WIDTH
CL-13-CLTW	13mm	1.0	3/32	3.54	1.40
CL-16-CLTW	16mm	2.0	1/8		
CL-20-CLTW	20mm	3.0	1/8		
CL-25-CLTW	25mm	7.0	5/32	7.50	1.67



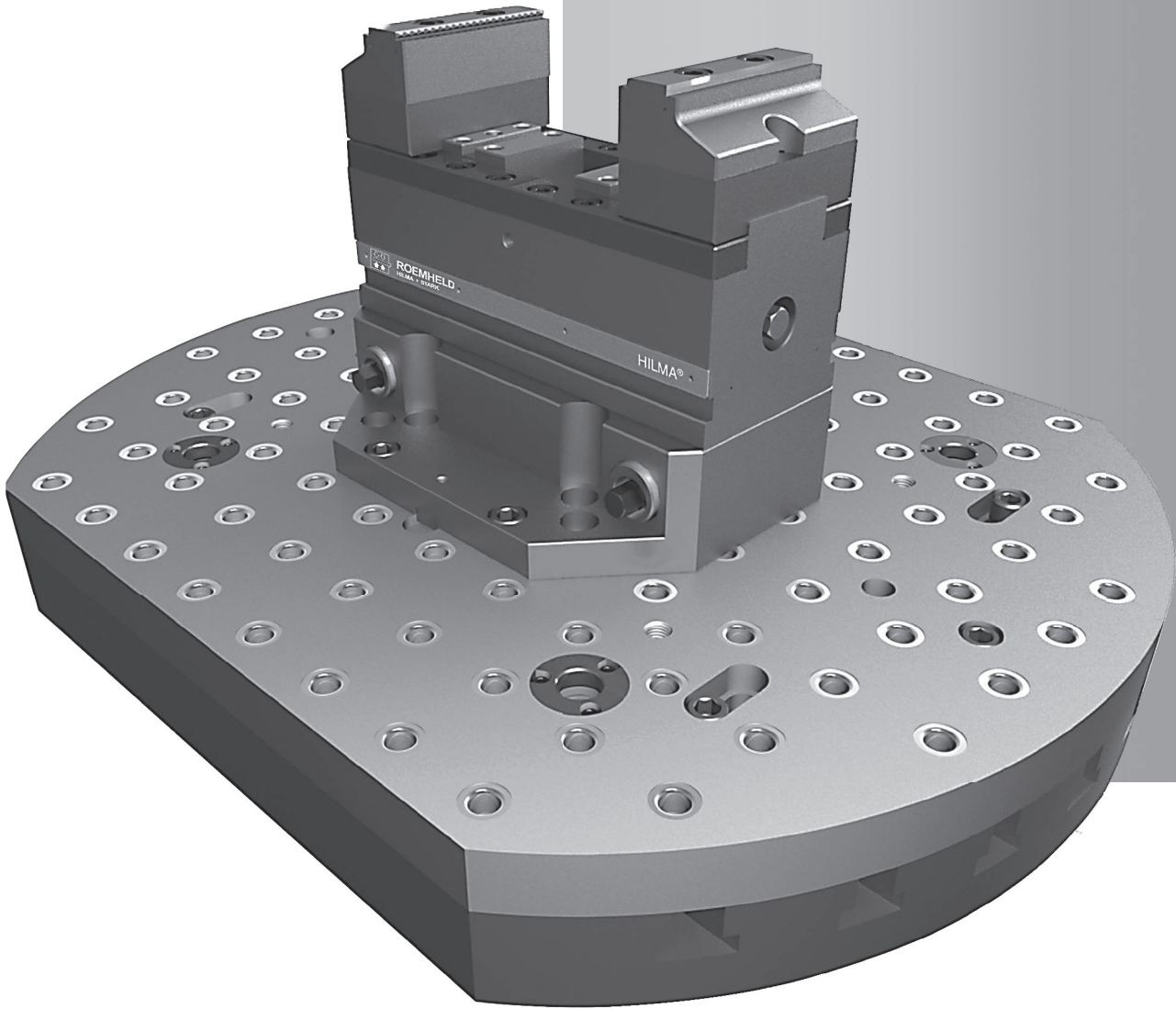
Protection plugs are extremely useful to keep chips and debris from entering unused receiver bushings in a subplate. These durable plastic plugs fit snugly in the receiver hole, yet can be easily removed.

PROTECTION PLUGS

PART NO.	FOR CARR LOCK® RECEIVER DIA.
CL-13-CLPP	13mm
CL-16-CLPP	16mm
CL-20-CLPP	20mm
CL-25-CLPP	25mm
CL-30-CLPP	30mm

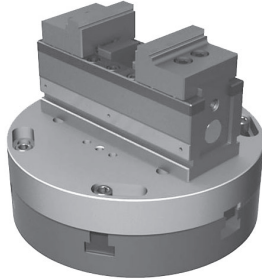


QUICK-CHANGE 5-AXIS WORKHOLDING



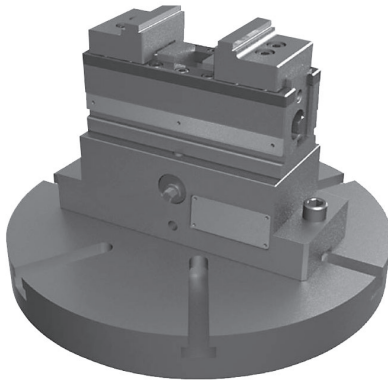
CL5® QUICK-CHANGE 5-AXIS WORKHOLDING

SOLUTIONS FOR ALL SIZES OF ROTARY TABLES



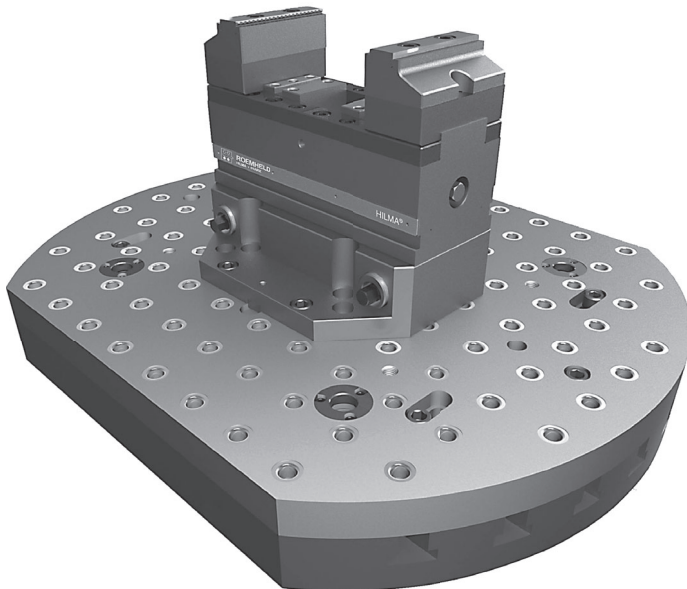
METHOD 1 **Fixture Plate Mounted on Rotary Table**

Method 1 is ideal for small rotary tables up to 210mm diameter, but can also be used for larger tables up to 400mm diameter. These fixture plates are accurately located and fastened directly on the rotary table. This simple, economical method allows using 5-Axis Vises, modular fixturing, or dedicated permanent fixturing.



METHOD 2 **Quintus Quick-Change Riser Mounted on Rotary Table**

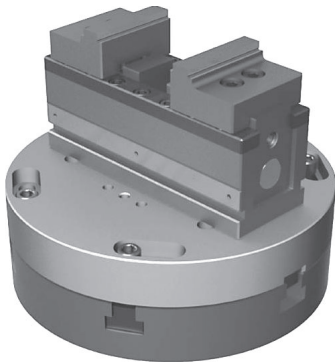
Method 2 utilizes our Quintus Quick-Change Risers to achieve full quick-change fixturing benefits on rotary tables 250mm diameter and larger. A Quintus Quick-Change Riser provides additional height for spindle clearance, and can be quickly and accurately mounted directly on the rotary table at its center.



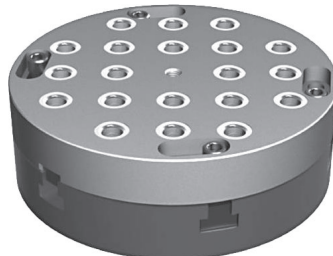
METHOD 3 **Subplate Mounted on Rotary Table**

Method 3 is appropriate for medium and large machine tables, achieving further quick-change benefits for the entire riser assembly. Using this method, the Quintus riser is mounted on a subplate to allow quick exchange of the riser with other fixturing.

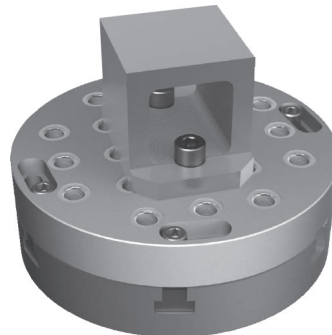
CL5® QUICK-CHANGE 5-AXIS WORKHOLDING



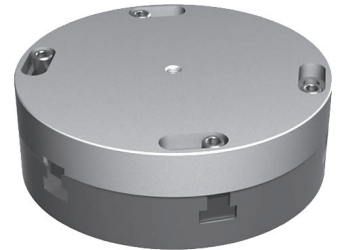
Vise-Adaptor Fixture Plate with 5-Axis Vise



Modular Fixture Plate



Modular Fixture Plate with Riser Block



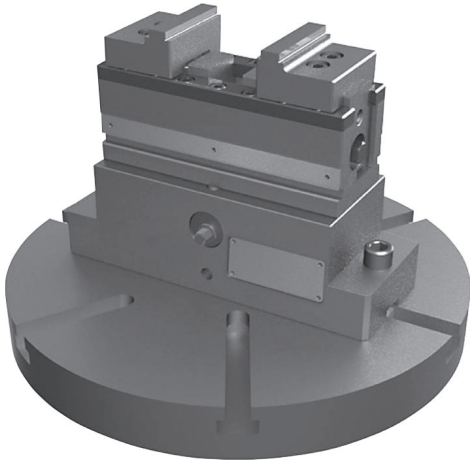
Blank Fixture Plate

Method 1 is ideal for small rotary tables up to 210mm diameter, but can also be used for larger tables up to 400mm diameter. These fixture plates are accurately located and fastened directly on the rotary table. This simple, economical method allows using 5-Axis Vises, modular fixturing, or dedicated permanent fixturing. **INFO+**: See pages 386-391 for fixture plates.

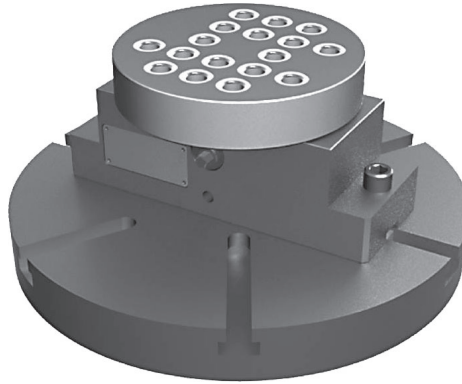
METHOD 1 FIXTURE PLATE MOUNTED ON ROTARY TABLE

BASE OPTIONS	BASE SIZE	WORKHOLDER OPTIONS	FITS TABLE DIAMETER															
			110mm	130mm	160mm	200mm	210mm	250mm	260mm	300mm	310mm	320mm	400mm	450mm	500mm	500mm	600mm	630mm
Vise Adaptor Plate with 5-Axis Vise	130mm	MC40 , MC40Z Vises	✓	✓														
	160mm	MC40, MC40Z, MC60, MC60Z, SCS80 Vises			✓													
	210mm	MC40, MC40Z, MC60, MC60Z, SCS80 Vises				✓	✓	✓	✓									
	310mm	MC60, MC60Z, SCS80, MC100, MC100Z, SCS120 Vises								✓	✓	✓	✓					
Modular Fixture Plate	130mm	Custom	✓	✓														
	160mm				✓													
	210mm					✓	✓											
	250mm							✓	✓									
	310mm									✓	✓	✓	✓					
Modular Fixture Plate with Riser Block	130mm	Custom	✓	✓														
	160mm	Custom			✓													
	210mm	Custom				✓	✓											
	250mm	MC60, MC60Z, SCS80 Vises or Custom						✓	✓									
	310mm	MC60, MC60Z, SCS80, MC100, MC100Z, SCS120 Vises or Custom								✓	✓	✓	✓					
Blank Fixture Plate	130mm	Custom	✓	✓														
	160mm				✓													
	210mm					✓	✓											
	250mm							✓	✓									
	310mm									✓	✓	✓	✓					

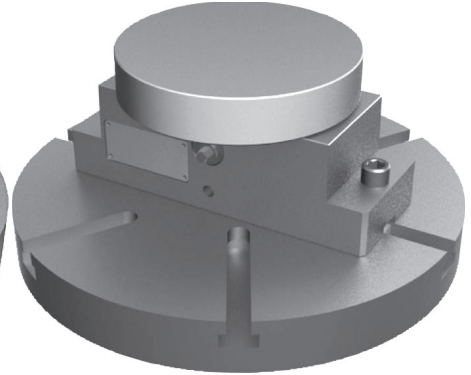
CL5® QUICK-CHANGE 5-AXIS WORKHOLDING



**Quintus Riser
with
5-Axis Vise**



**Quintus Riser
with
Modular Fixture Plate**



**Quintus Riser
with
Blank Fixture Plate**

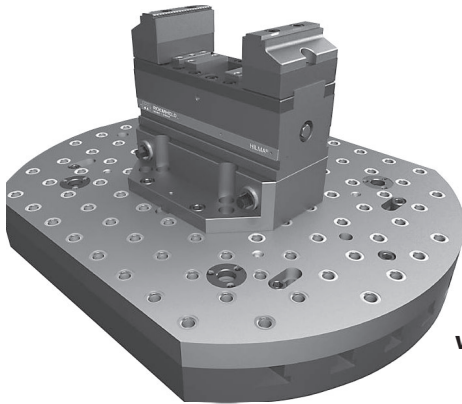
Method 2 utilizes our Quintus Quick-Change Risers to achieve full quick-change fixturing benefits on rotary tables 250mm diameter and larger. A Quintus Quick-Change Riser provides additional height for spindle clearance, and can be quickly and accurately mounted directly on the rotary table at its center. **INFO+**: See pages 378-380 for Quintus fixture plates.

9

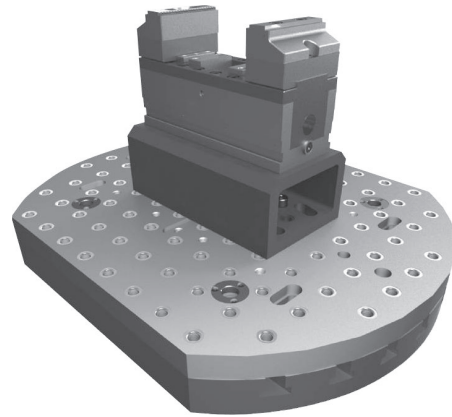
METHOD 2 QUINTUS MOUNTED ON ROTARY TABLE

BASE OPTIONS	BASE SIZE	WORKHOLDER OPTIONS	FITS TABLE DIAMETER																
			110mm	130mm	160mm	200mm	210mm	250mm	260mm	300mm	310mm	320mm	400mm	450mm	500mm	500mm	600mm	630mm	
Quintus Riser with 5-Axis Vise	Quintus 1	MC40, MC40Z, MC60, MC60Z, SCS80 Vises						✓	✓	✓	✓	✓	✓	✓	✓	✓	✓	✓	
	Quintus 2	MC100, MC100Z, SCS120 Vises								✓	✓	✓	✓	✓	✓	✓	✓	✓	
	Quintus 3	MC125Z Vise											✓	✓	✓	✓	✓	✓	
Quintus Riser with Modular Fixture Plate	Quintus 1 + 130mm	Custom						✓	✓	✓	✓	✓	✓	✓	✓	✓	✓	✓	
	Quintus 1 + 160mm							✓	✓	✓	✓	✓	✓	✓	✓	✓	✓	✓	
	Quintus 1 + 100x250mm							✓	✓	✓	✓	✓	✓	✓	✓	✓	✓	✓	✓
	Quintus 1 + 150x250mm							✓	✓	✓	✓	✓	✓	✓	✓	✓	✓	✓	✓
	Quintus 2 + 250mm										✓	✓	✓	✓	✓	✓	✓	✓	✓
Quintus Riser with Blank Fixture Plate	Quintus 1 + 130mm	Custom						✓	✓	✓	✓	✓	✓	✓	✓	✓	✓	✓	
	Quintus 1 + 160mm							✓	✓	✓	✓	✓	✓	✓	✓	✓	✓	✓	
	Quintus 1 + 100x250mm							✓	✓	✓	✓	✓	✓	✓	✓	✓	✓	✓	✓
	Quintus 1 + 150x250mm							✓	✓	✓	✓	✓	✓	✓	✓	✓	✓	✓	✓
	Quintus 2 + 250mm									✓	✓	✓	✓	✓	✓	✓	✓	✓	

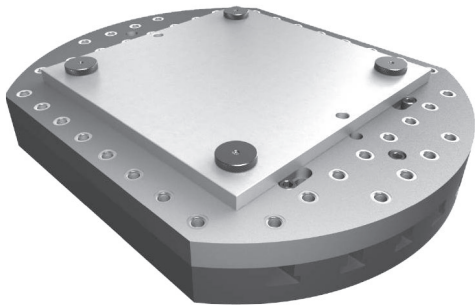
CL5® QUICK-CHANGE 5-AXIS WORKHOLDING



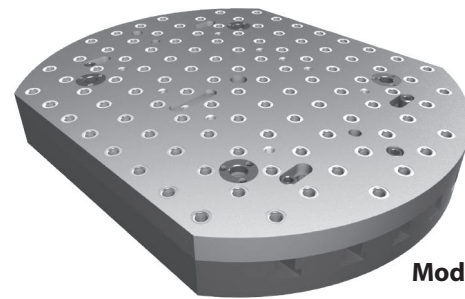
Subplate with Quintus Riser and 5-Axis Vise



Subplate with Riser Block



Subplate with Carr Lock Fixture Plate



Subplate used as Modular Fixture Plate

Method 3 is appropriate for medium and large machine tables, achieving further quick-change benefits for the entire riser assembly. Using this method, the Quintus riser is mounted on a subplate to allow quick exchange of the riser with other fixturing. **INFO+**: See pages 392-393 for subplates.

METHOD 3 SUBPLATE MOUNTED ON ROTARY TABLE

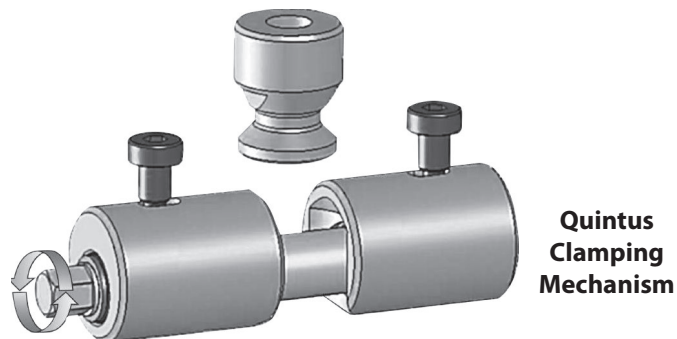
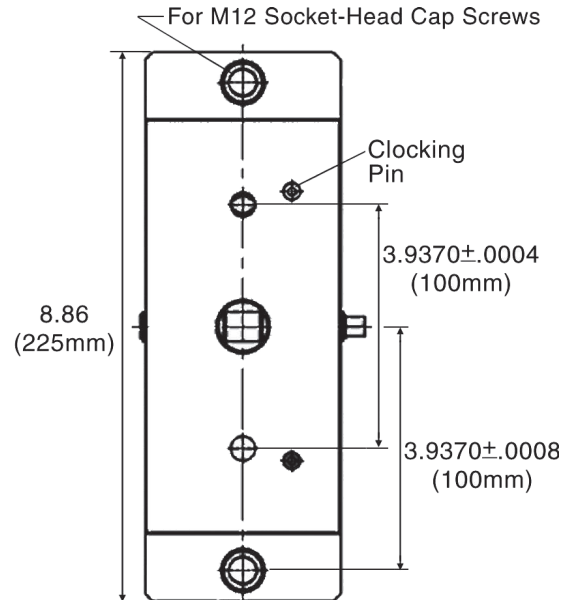
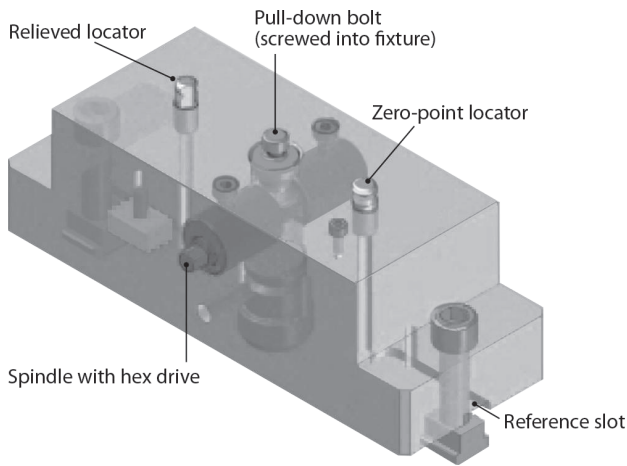
BASE OPTIONS	BASE SIZE	WORKHOLDER OPTIONS	FITS TABLE DIAMETER																
			110mm	130mm	160mm	200mm	210mm	250mm	260mm	300mm	310mm	320mm	400mm	450mm	500mm	500mm	600mm	630mm	
Subplate with Quintus Riser and 5-Axis Vise	250mm + Quintus 1	MC40, MC40Z, MC60, MC60Z, SCS80 Vises or Custom						✓	✓										
	310mm + Quintus 1	MC40, MC40Z, MC60, MC60Z, SCS80 Vises or Custom								✓	✓	✓	✓						
	310mm + Quintus 2	MC100, MC100Z, SCS120 Vises or Custom								✓	✓	✓	✓						
	630x500mm + Quintus 1	MC40, MC40Z, MC60, MC60Z, SCS80 Vises or Custom																✓	✓
	630x500mm + Quintus 2	MC100, MC100Z, SCS120 Vises or Custom																✓	✓
630x500mm + Quintus 3	MC125Z Vise or Custom																✓	✓	
Subplate with Riser Block	250mm	MC60, MC60Z, SCS80, Vises or Custom						✓	✓										
	310mm	MC60, MC60Z, SCS80, MC100, MC 100Z, SCS120 Vises or Custom								✓	✓	✓	✓						
	630x500mm	MC60, MC60Z, SCS80, MC100, MC 100Z, SCS120 Vises or Custom																✓	✓
Subplate with Carr Lock Plate	630x500mm	14x14, 400x400mm Carr Lock Fixture Plates																✓	✓
Subplate used as Modular Fixture Plate	250mm	Custom						✓	✓										
	310mm									✓	✓	✓	✓						
	630x500mm																		✓

CL5® QUICK-CHANGE 5-AXIS WORKHOLDING

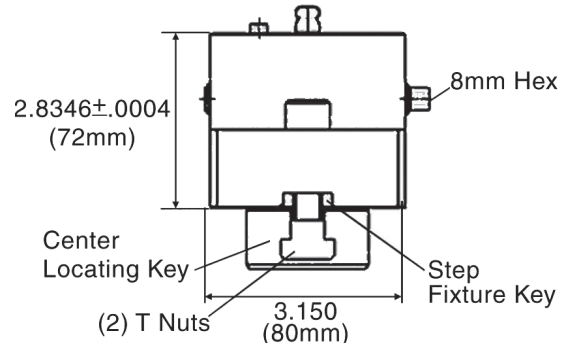


**Quintus 1
Quick-Change Riser**
Pull-Down Force 2700 Lbs
CLR9-9-6153-0101-VSA

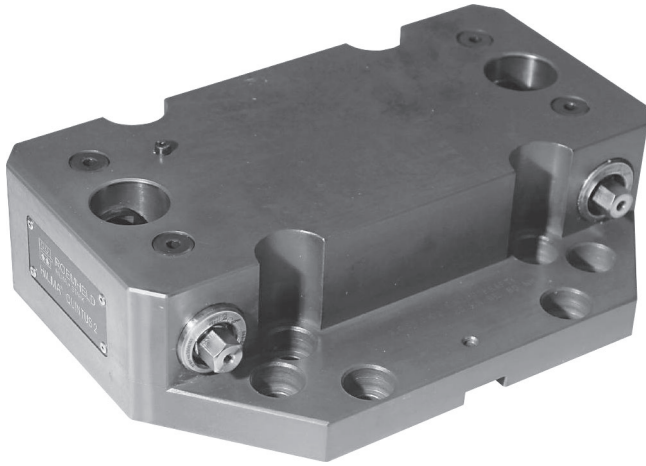
Quintus Quick-Change Risers provide accurate location and secure clamping while also providing quick-change capability and elevating the workpiece for improved spindle access – all in one compact unit. The Quintus 1 riser shown here utilizes two locating pins, a round pin for zero-point centering and a diamond pin for single-axis centering, and a single pull-down bolt that provides 2700 lbs of pull-down force.



**Quintus
Clamping
Mechanism**

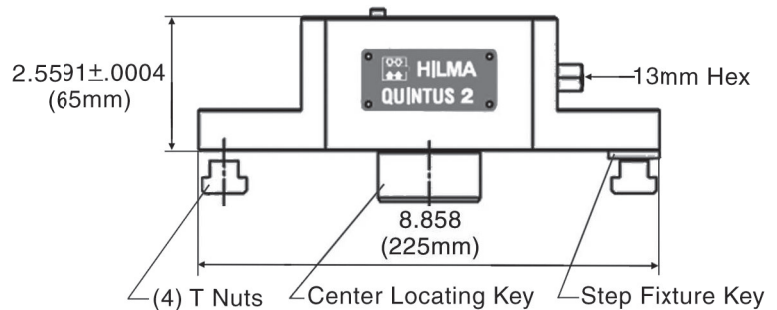
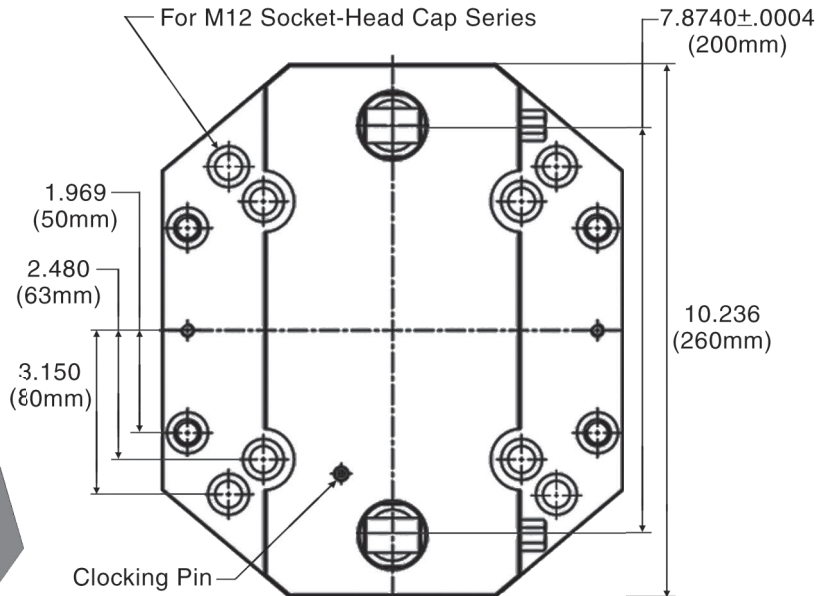
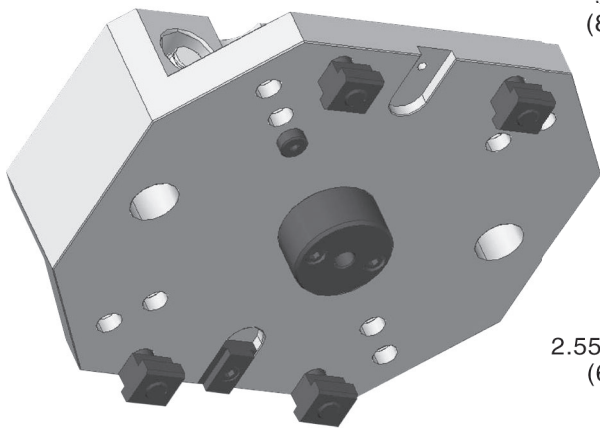


CL5® QUICK-CHANGE 5-AXIS WORKHOLDING

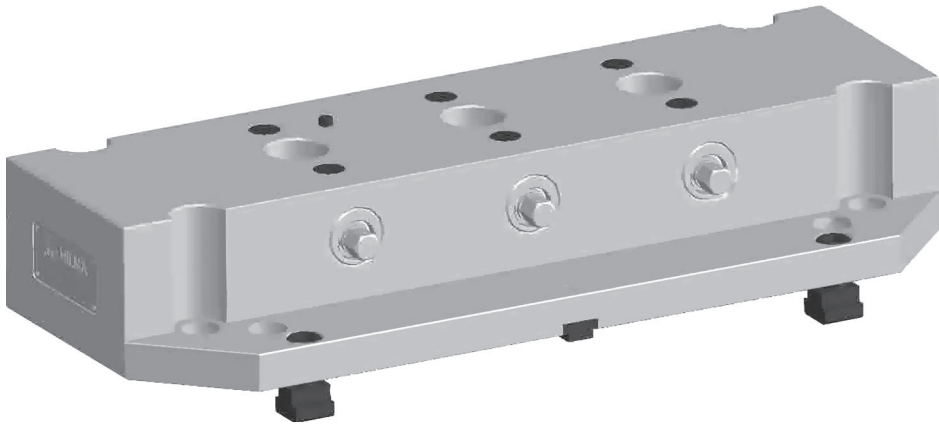


Quintus 2
Quick-Change Riser
 Pull-Down Force 4500 Lbs x 2
 CLRH-9-6155-0102-VSA

Quintus Quick-Change Risers provide accurate location and secure clamping while also providing quick-change capability and elevating the workpiece for improved spindle access – all in one compact unit. The Quintus 2 riser shown here utilizes two pull-down bolts – one with zero-point centering, the other with single-axis centering – providing 2 x 4500 lbs of pull-down force.



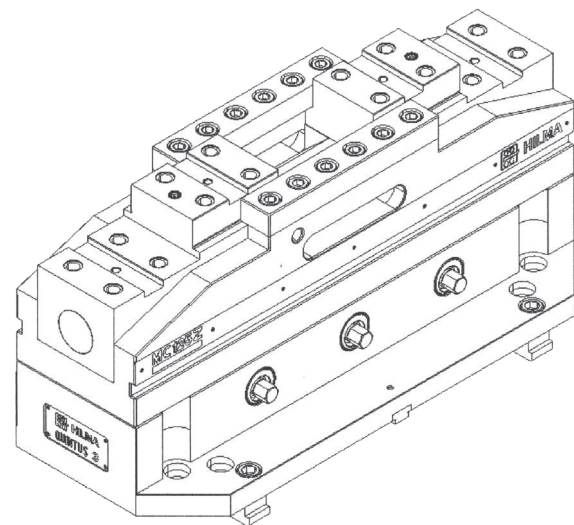
CL5[®] QUICK-CHANGE 5-AXIS WORKHOLDING



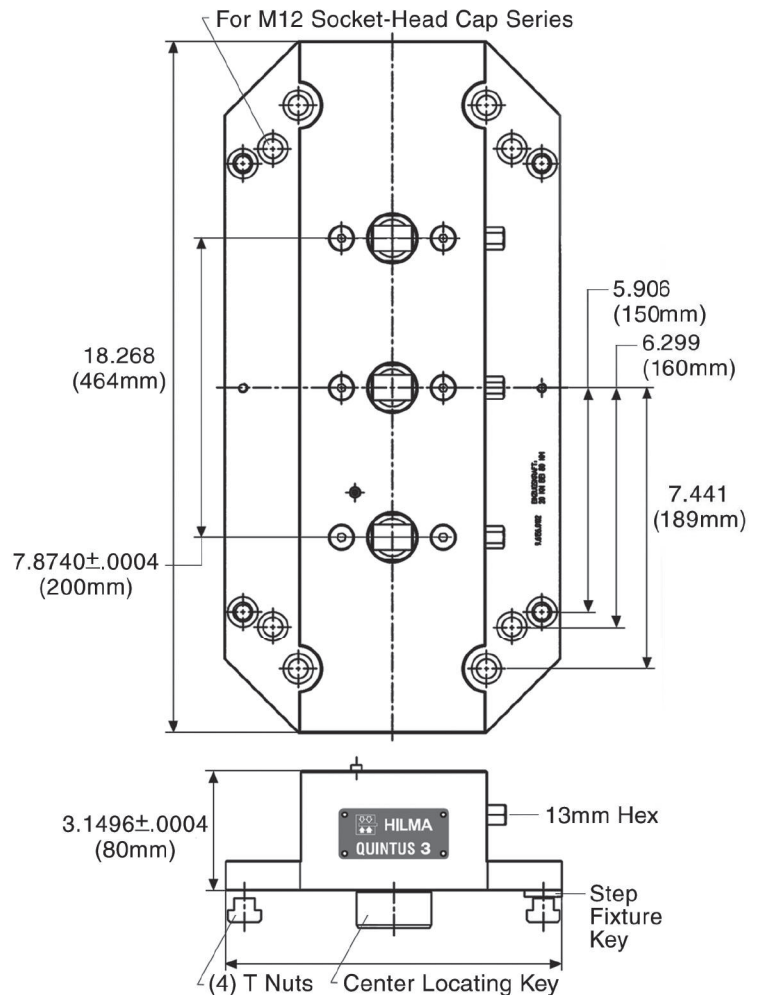
**Quintus 3
Quick-Change Riser**
Pull-Down Force 4500 Lbs x 3
CLRH-9-6156-0102-VSA

Quintus Quick-Change Risers provide accurate location and secure clamping while also providing quick-change capability and elevating the workpiece for improved spindle access – all in one compact unit. The Quintus 3 riser shown here utilizes three pull-down bolts – one with zero-point centering, one with single-axis centering, and one without centering – providing 3 x 4500 lbs of pull-down force.

9

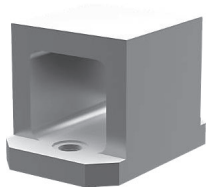


MC125Z-series 5-axis concentric vise mounted on Quintus 3 Quick-Change Riser

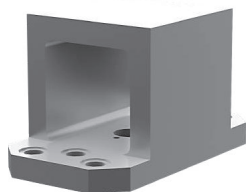


CL5® QUICK-CHANGE 5-AXIS WORKHOLDING

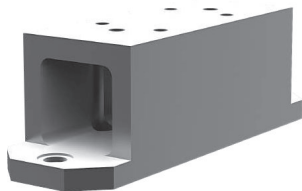
RISER BLOCKS



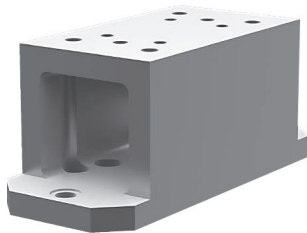
**3 x 3 x 3
Blank**



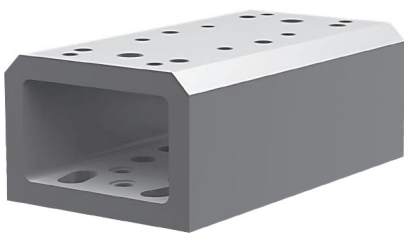
**4 x 4 x 4
Blank**



**3 x 3 x 7
Vise Adaptor**
(MC60, MC60Z)

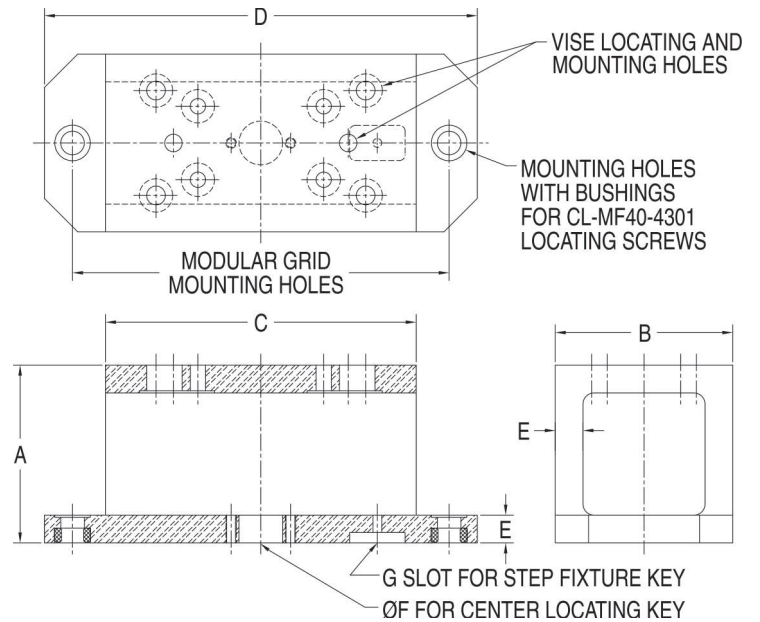


**4 x 4 x 7
Vise Adaptor**
(MC60, MC60Z, SCS80)



**4 x 6 x 11
Vise Adaptor**
(MC100, MC100Z, SCS120)

Riser Blocks provide an economical way to raise a workpiece for 5-Axis machining. These precision blocks are available blank for customization, or with locating and mounting holes for 5-Axis vises. Riser Blocks are usually mounted on a modular fixture plate, but sizes from 4x4x4 up can also be mounted directly on a rotary table.



RISER BLOCKS – BLANK

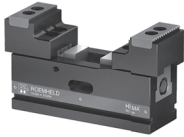
PART NO.	A	B	C	D	E	F DIA	G	MODULAR GRID MOUNTING HOLES	WORKHOLDER OPTIONS
CL-333-00-RBF	3	3	3	4.50	.50	—	—	2.8284 (2x2 diagonal)	Custom
CL-444-00-RBF	4	4	4	7.25	.62	25mm	—	2.0000 x 6.0000	

RISER BLOCKS – VISE ADAPTOR

CL-337-02-RBF	3	3	7	9.75	.50	25mm	20mm	8.4853 (6x6 diagonal)	MC60, MC60Z Vises
CL-447-02-RBF	4	4	7	9.75	.62			8.4853 (6x6 diagonal)	MC60, MC60Z, SCS80 Vises
CL-4611-03-RBF		6	11	11	.62			2.0000 x 6.0000	MC100, MC100Z, SCS120 Vises

CL5® QUICK-CHANGE 5-AXIS WORKHOLDING

5-AXIS VISES FOR MOUNTING ON QUINTUS 1



MCP40

Fixed-Jaw Vise

40mm wide x 110mm long
1800 lbs clamping force

The MCP40 vise is extremely compact yet quite powerful. Like all of our 5-Axis vises, this vise has optimal features to allow unrestricted tool access for multiple-side machining. The standard fixed-jaw version has one fixed jaw and one sliding jaw that clamps against it. Due to its small size, the MCP40 vise uses an adaptor plate to mount on a Quintus 1 riser. **INFO+**: See page 665 for more information.

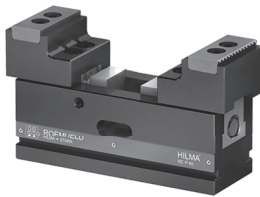


MCP40 Z

Concentric Vise

40mm wide x 110mm long
1800 lbs clamping force

The Z-series version of our MCP40 vise is dimensionally similar, but incorporates our precision self-centering mechanism. This concentric vise has two sliding jaws that provide clamping at the exact center of the rotary table. **INFO+**: See page 666 for more information.



MCP60

Fixed-Jaw Vise

60mm wide x 170mm long
3400 lbs clamping force

The MCP60 vise is our most popular 5-Axis-vise size. Like all of our 5-Axis vises, this vise has optimal features to allow unrestricted tool access for multiple-side machining. The standard fixed-jaw version has one fixed jaw and one sliding jaw that clamps against it. **INFO+**: See page 665 for more information.

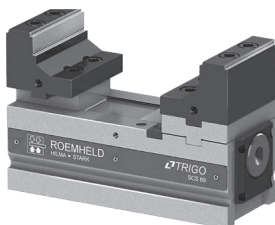


MCP60 Z

Concentric Vise

60mm wide x 170mm long
3400 lbs clamping force

The Z-series version of our MCP60 vise is dimensionally similar, but incorporates our precision self-centering mechanism. This concentric vise has two sliding jaws that provide clamping at the exact center of the rotary table. **INFO+**: See page 666 for more information.



SCS80

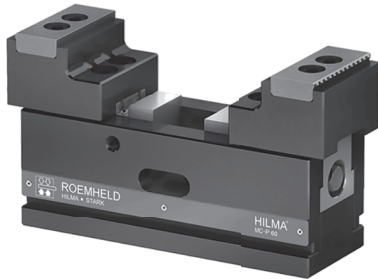
Fixed-Jaw Vise

80mm wide x 200mm long
5600 lbs clamping force

SCS-series vises are slightly wider, and allow clamping higher up in the jaws with greater holding force. Like all of our 5-Axis vises, the SCS80 vise has optimal features to allow unrestricted tool access for multiple-side machining. The standard fixed-jaw design has one fixed jaw and one sliding jaw that clamps against it. **INFO+**: See our online catalog for more information.

CL5® QUICK-CHANGE 5-AXIS WORKHOLDING

5-AXIS VISES FOR MOUNTING ON QUINTUS 2

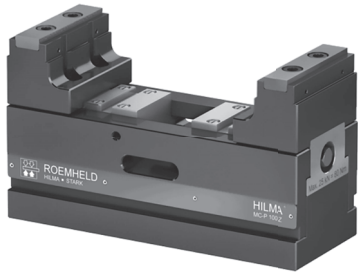


MCP100

Fixed-Jaw Vise

100mm wide x 260mm long
5600 lbs clamping force

The MCP100 vise handles a wide range of workpiece sizes. Like all of our 5-Axis vises, this vise has optimal features to allow unrestricted tool access for multiple-side machining. The standard fixed-jaw version has one fixed jaw and one sliding jaw that clamps against it. **INFO+**: See page 665 for more information.

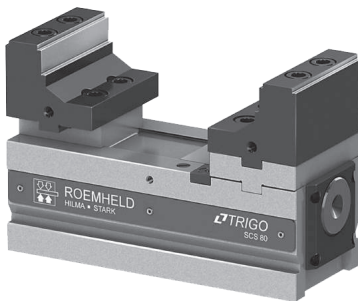


MCP100 Z

Concentric Vise

100mm wide x 266mm long
5600 lbs clamping force

The Z-series version of our MCP100 vise is dimensionally similar, but incorporates our precision self-centering mechanism. This concentric vise has two sliding jaws that provide clamping at the exact center of the rotary table. **INFO+**: See pages 666-667 for more information.



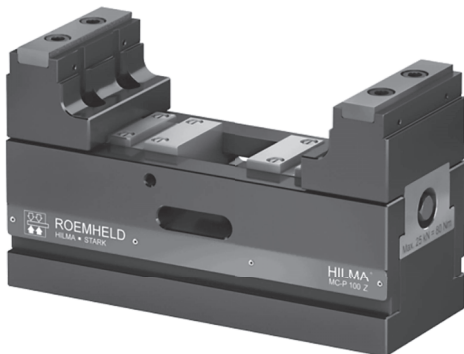
SCS120

Fixed-Jaw Vise

120mm wide x 227mm long
9000 lbs clamping force

SCS-series vises are slightly wider, and allow clamping higher up in the jaws with greater holding force. Like all of our 5-Axis vises, the SCS120 vise has optimal features to allow unrestricted tool access for multiple-side machining. The standard fixed-jaw design has one fixed jaw and one sliding jaw that clamps against it. **INFO+**: See our online catalog for more information.

5-AXIS VISES FOR MOUNTING ON QUINTUS 3



MCP125 Z

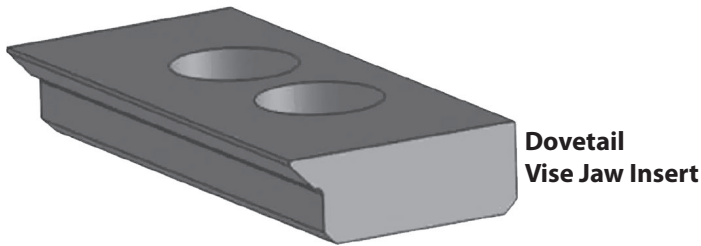
Concentric Vise

125mm wide x 465mm long
7900 lbs clamping force

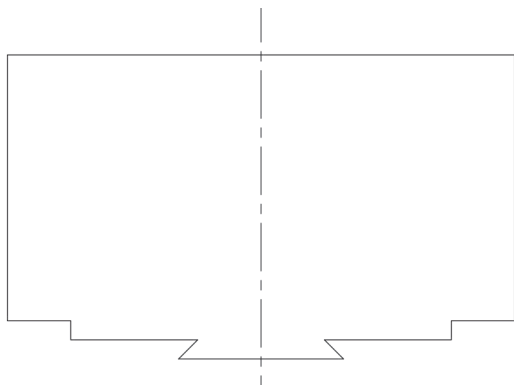
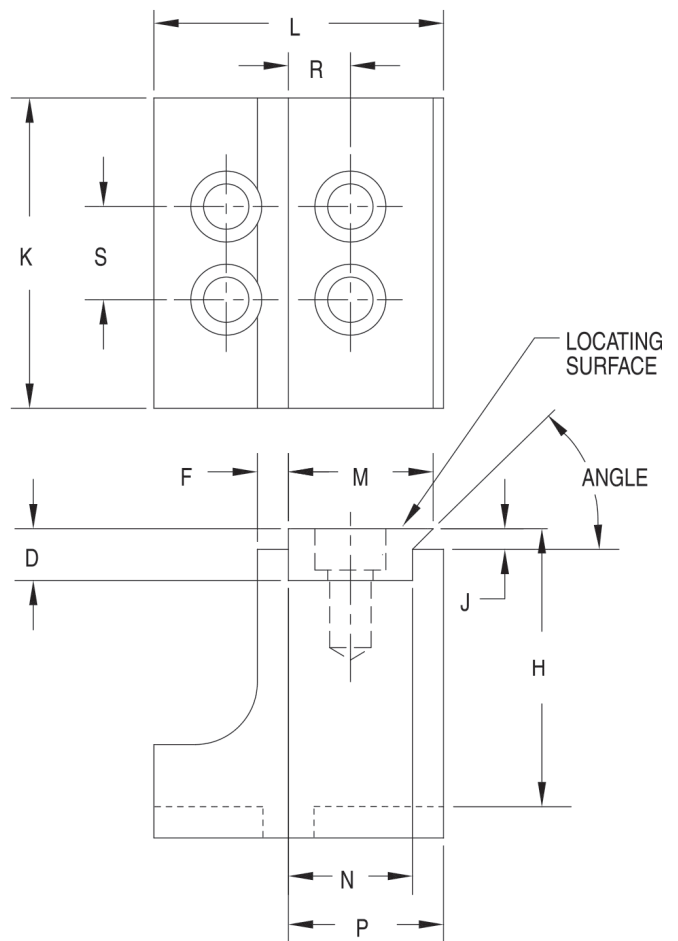
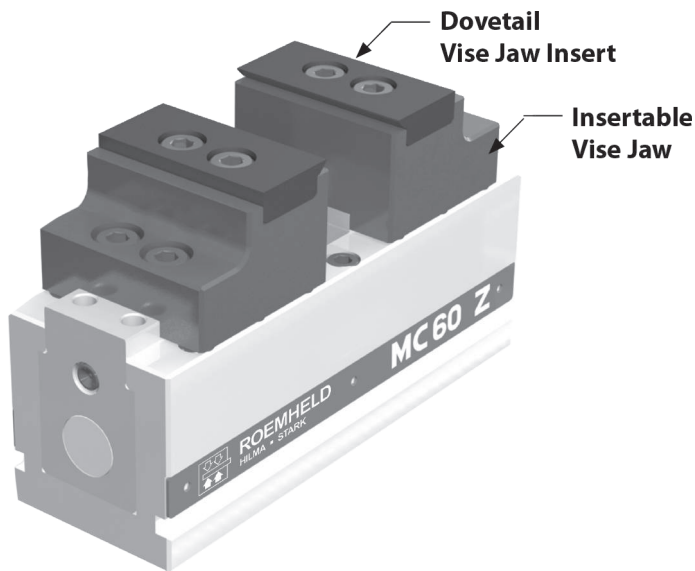
The MCP125Z vise is ideal for large workpieces. Like all of our 5-Axis vises, this vise has optimal features to allow unrestricted tool access for multiple-side machining. This Z-series concentric vise incorporates our precision self-centering mechanism, with two sliding jaws that provide clamping at the exact center of the rotary table. Shown with optional tapered slides. **INFO+**: See our online catalog for more information.

CL5® QUICK-CHANGE 5-AXIS WORKHOLDING

DOVETAIL VISE JAWS



Dovetail clamping requires leaving excess material at the bottom of each workpiece for machining a male dovetail. This machined dovetail extension is used to clamp on during 5-Axis work, by a mating dovetail clamp or vise jaw, then is removed in a secondary machining operation. The dovetail inserts shown here fit 60mm-wide insertable jaws on MCP60 and MCP60Z 5-Axis vises, with other sizes available upon request. Inserts are available for either 45-degree or 60-degree dovetails. 1018 steel, carburized-hardened, black oxide finish.

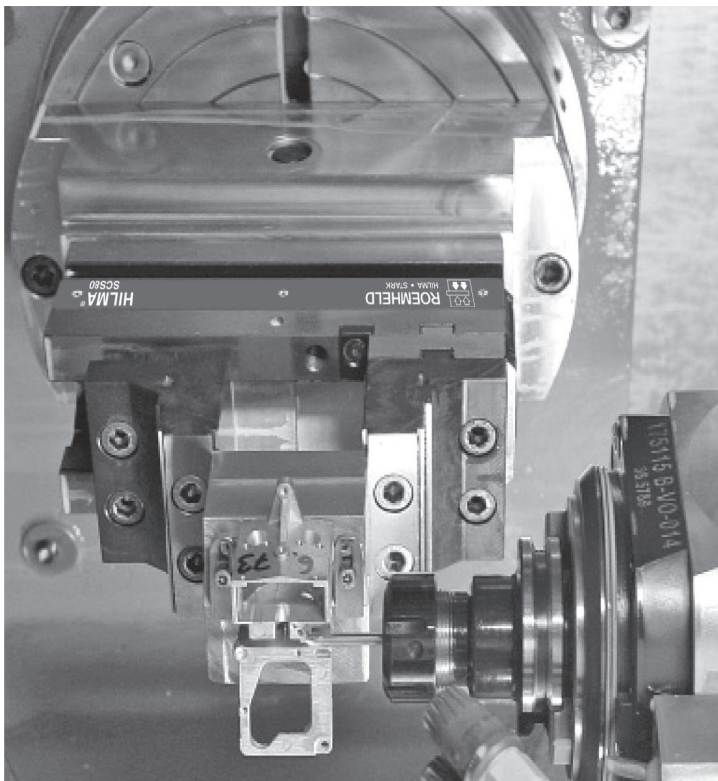
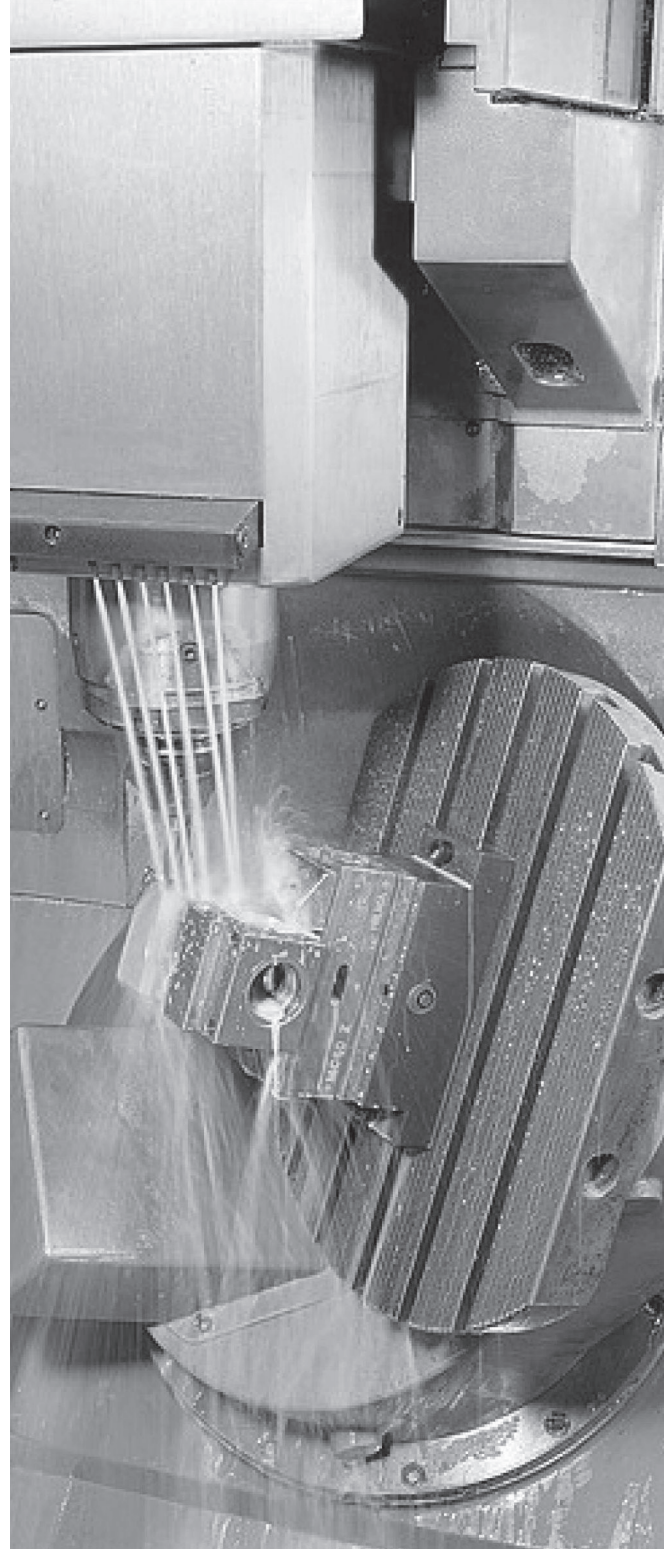
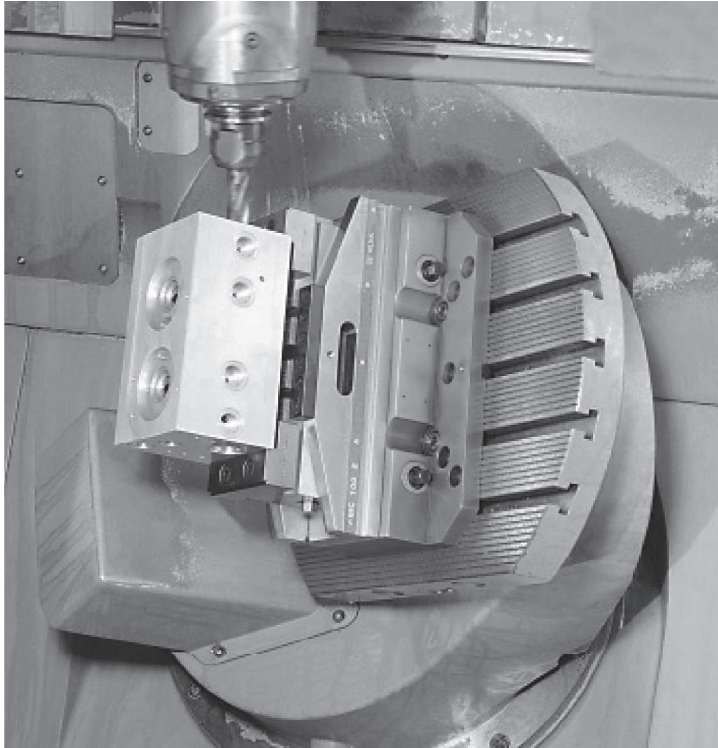


Example dovetail extension at bottom of workpiece.

WISE JAWS AND DOVETAIL INSERTS

WISE JAW PART NO. (2 REQD)	INSERT PART NO. (2 REQD)	ANGLE	D	F	H	D	K	L	M	N	P	R	M
CLRH-9-3583-6906-VSA	CL-36-DVJI-45	45°	.394	.236	1.339	.157	2.362	2.205	1.102	.945	1.181	.472	.709
	CL-36-DVJI-60	60°							1.063				

CL5® QUICK-CHANGE 5-AXIS WORKHOLDING



CL5® QUICK-CHANGE 5-AXIS WORKHOLDING

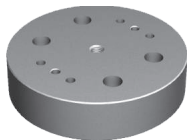
FIXTURE PLATES FOR MOUNTING ON ROTARY TABLE



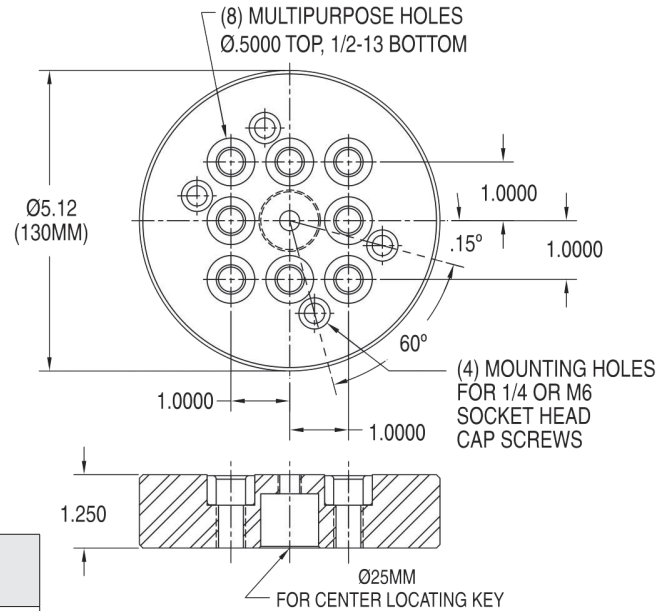
**130mm
Blank**



**130mm
Modular Fixturing**



**130mm
Vise Adaptor**



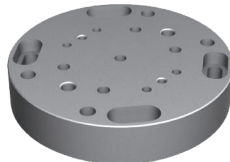
PART NO.	TYPE	PLATE DIA	FITS TABLE DIA	WORKHOLDER OPTIONS
CL-130-00-RFP	Blank	130mm	110mm	Custom
CL-130-40-RFP	Modular		130mm	Riser Block, Custom
CL-130-01-RFP	Vise Adaptor			MC40, MC40Z Vises



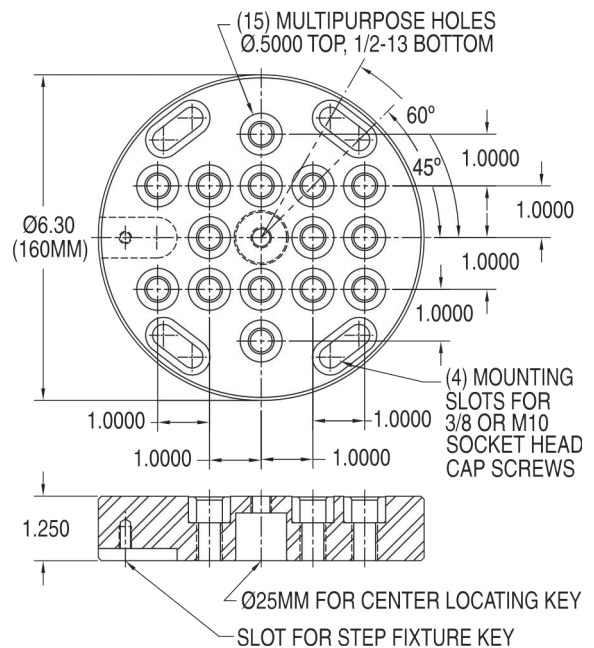
**160mm
Blank**



**160mm
Modular Fixturing**



**160mm
Vise Adaptor**



PART NO.	TYPE	PLATE DIA	FITS TABLE DIA	WORKHOLDER OPTIONS
CL-160-00-RFP	Blank	160mm	160mm	Custom
CL-160-40-RFP	Modular			Riser Block, Custom
CL-160-02-RFP	Vise Adaptor			MC40, MC40Z, MC60, MC60Z, SCS80 Vises

CL5[®] QUICK-CHANGE 5-AXIS WORKHOLDING

FIXTURE PLATES FOR MOUNTING ON ROTARY TABLE



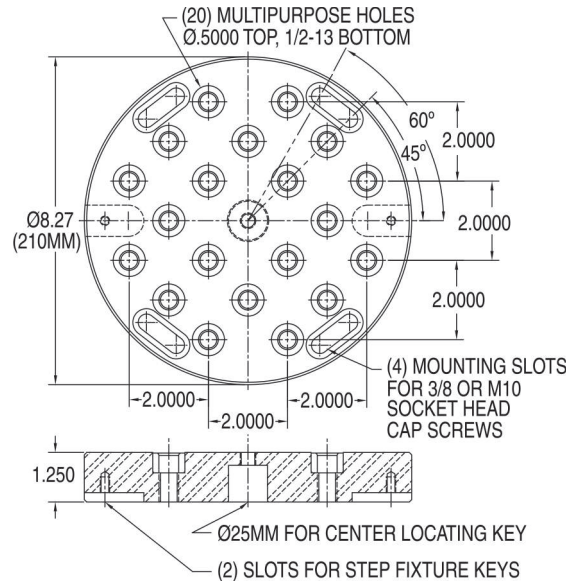
**210mm
Blank**



**210mm
Modular Fixturing**



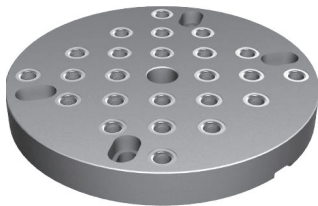
**210mm
Vise Adaptor**



PART NO.	TYPE	PLATE DIA	FITS TABLE DIA	WORKHOLDER OPTIONS
CL-210-00-RFP	Blank	210mm	200mm	Custom
CL-210-40-RFP	Modular			Riser Block, Custom
CL-210-02-RFP	Vise Adaptor		210mm	MC40, MC40Z, MC60, MC60Z, SCS80 Vises



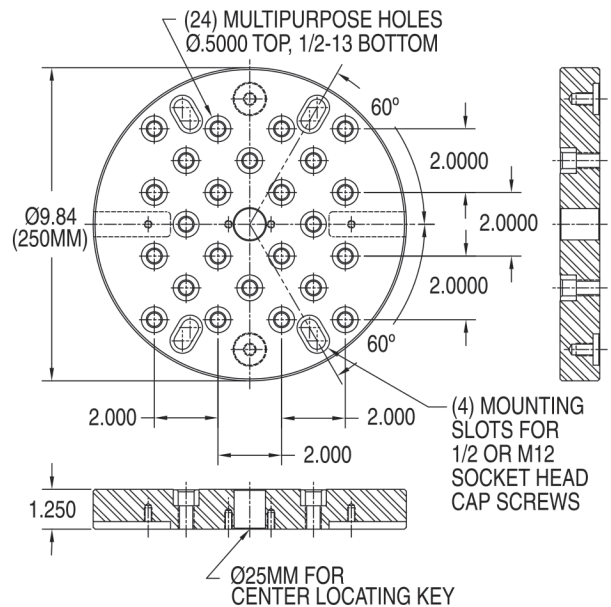
**250mm
Blank**



**250mm
Modular Fixturing**

Use 210mm Vise Adaptor for 250mm tables.

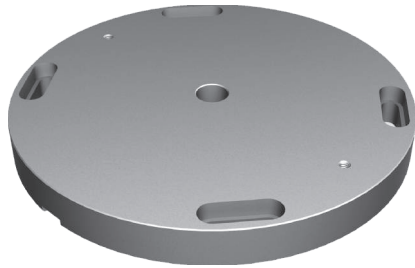
**250mm
Vise Adaptor**



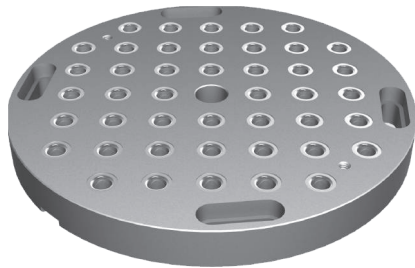
PART NO.	TYPE	PLATE DIA	MOUNTS ON	WORKHOLDER OPTIONS
CL-250-00-QRFP	Blank	250mm	250mm 260mm	Custom
CL-250-40-QRFP	Modular			Riser Block with MC60, MC60Z, SCS80 Vise or Custom
CL-210-02-RFP	Vise Adaptor	210mm		MC40, MC40Z, MC60, MC60Z, SCS80 Vises

CL5® QUICK-CHANGE 5-AXIS WORKHOLDING

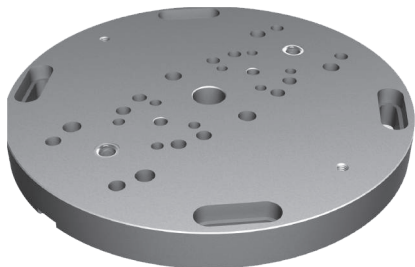
FIXTURE PLATES FOR MOUNTING ON ROTARY TABLE



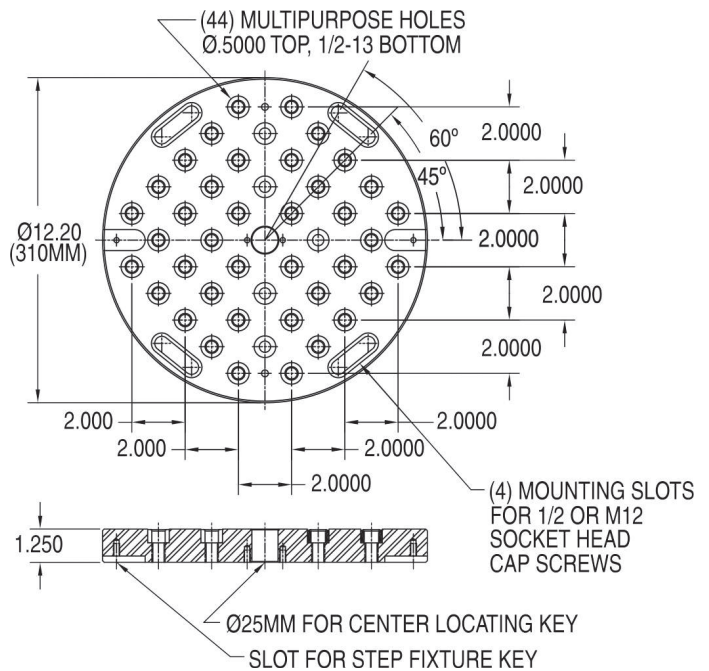
**310mm
Blank**



**310mm
Modular Fixturing**



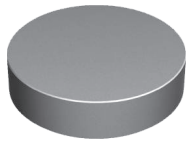
**310mm
Vise Adaptor**



PART NO.	TYPE	PLATE DIA	FITS TABLE DIA	WORKHOLDER OPTIONS
CL-310-00-RFP	Blank	310mm	300mm	Custom
CL-310-40-RFP	Modular		310mm	Riser Block with MC60, MC60Z, SCS80, MC100, MC100Z, SCS120 Vise or Custom
CL-310-03-RFP	Vise Adaptor		400mm	MC60, MC60Z, SCS80, MC100, MC100Z, SCS120 Vises

CL5® QUICK-CHANGE 5-AXIS WORKHOLDING

FIXTURE PLATES FOR MOUNTING ON QUINTUS 1



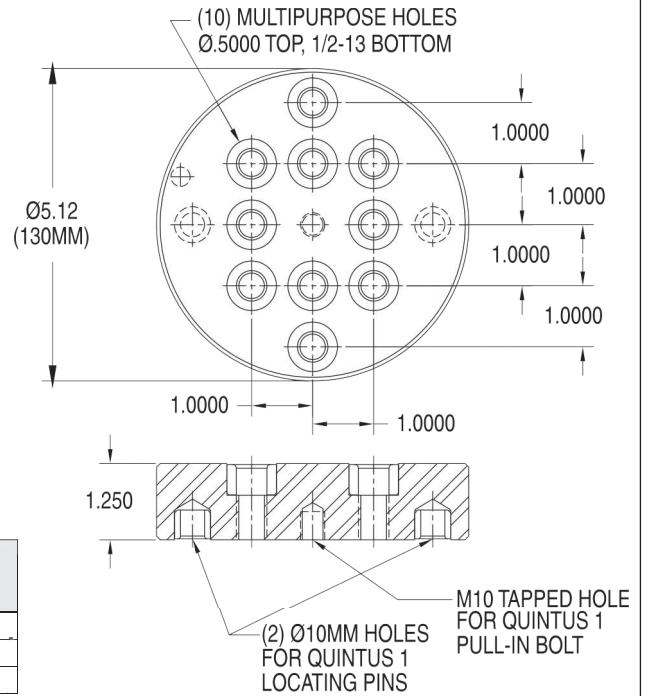
130mm Blank
(Mounts on Quintus 1)



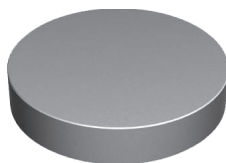
130mm Modular Fixturing
(Mounts on Quintus 1)



130mm Vise Adaptor
(Mounts on Quintus 1)



PART NO.	TYPE	PLATE DIA	MOUNTS ON	WORKHOLDER OPTIONS
CL-130-00-QRFP	Blank	120mm	Quintus 1	Custom
CL-130-40-QRFP	Modular			Riser Block or Custom
CL-130-01-QRFP	Vise Adaptor			MC40, MC40Z Vises



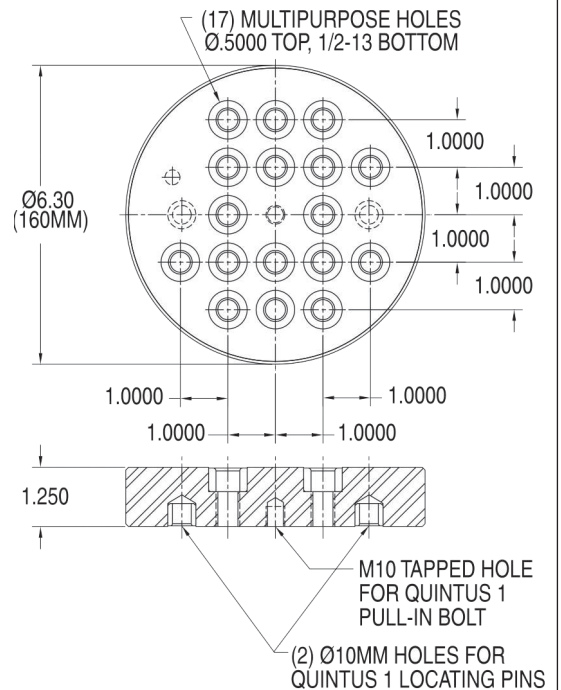
160mm Blank
(Mounts on Quintus 1)



160mm Modular Fixturing
(Mounts on Quintus 1)

Use 130mm Vise Adaptor.

160mm Vise Adaptor
(Mounts on Quintus 1)



PART NO.	TYPE	PLATE DIA	MOUNTS ON	WORKHOLDER OPTIONS
CL-160-00-QRFP	Blank	160mm	Quintus 1	Custom
CL-160-40-QRFP	Modular			Riser Block or Custom
CL-130-01-QRFP	Vise Adaptor	130mm		MC40, MC40Z Vises

CL5® QUICK-CHANGE 5-AXIS WORKHOLDING

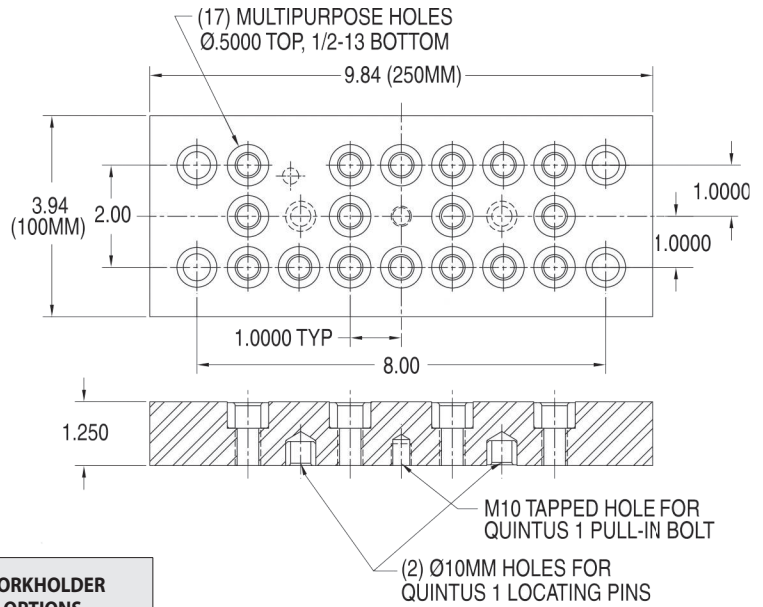
FIXTURE PLATES FOR MOUNTING ON QUINTUS 1



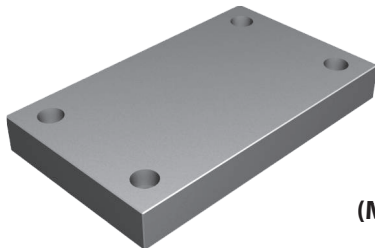
**100 x 250mm
Blank
(Mounts on Quintus 1)**



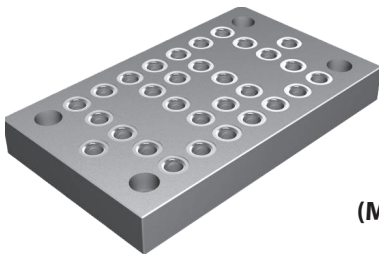
**100 x 250mm
Modular Fixturing
(Mounts on Quintus 1)**



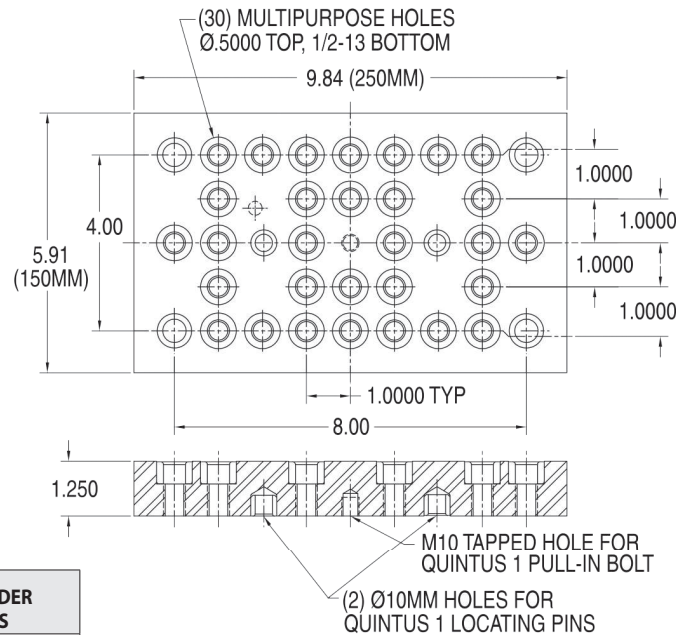
PART NO.	TYPE	PLATE SIZE	MOUNTS ON	WORKHOLDER OPTIONS
CL-100250-00-QFP	Blank	100 x 250mm	Quintus 1	Custom
CL-100250-40-QFP	Modular			Riser Block or Custom



**150 x 250mm
Blank
(Mounts on Quintus 1)**



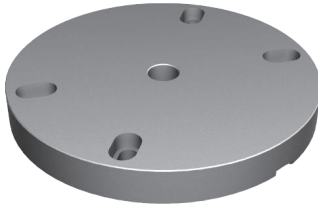
**150 x 250mm
Modular Fixturing
(Mounts on Quintus 1)**



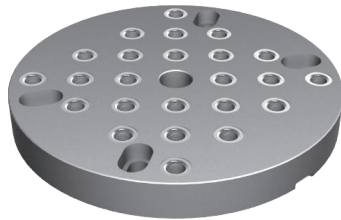
PART NO.	TYPE	PLATE SIZE	MOUNTS ON	WORKHOLDER OPTIONS
CL-150250-00-QFP	Blank	150 x 250mm	Quintus 1	Custom
CL-150250-40-QFP	Modular			Riser Block or Custom

CL5® QUICK-CHANGE 5-AXIS WORKHOLDING

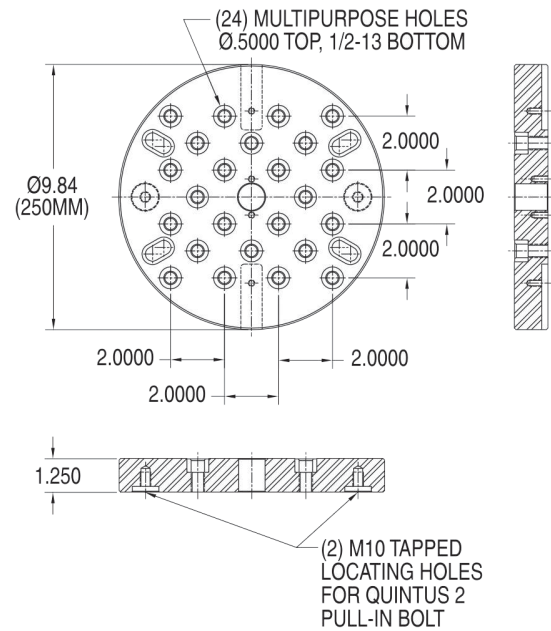
FIXTURE PLATES FOR MOUNTING ON QUINTUS 2



**250mm
Blank
(Mounts on Quintus 2)**



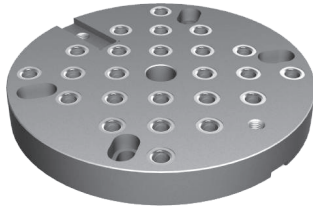
**250mm
Modular Fixturing
(Mounts on Quintus 2)**



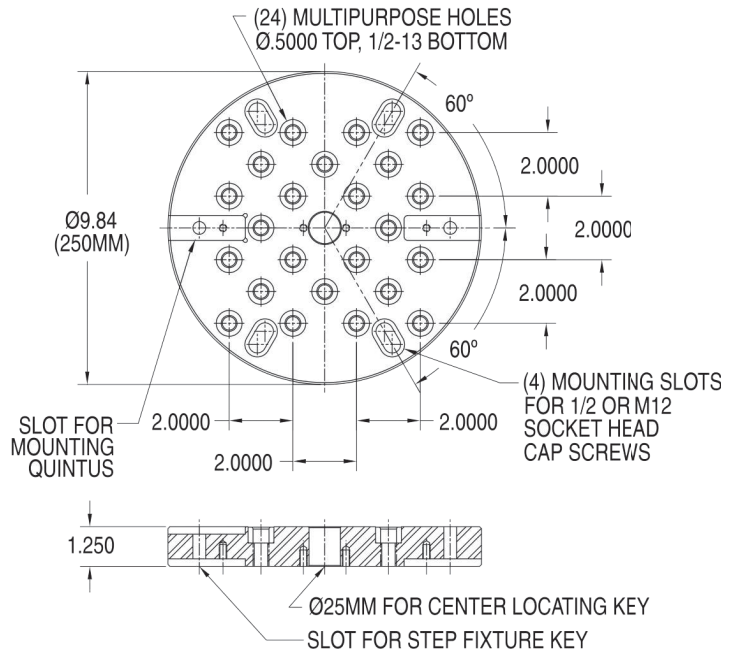
PART NO.	TYPE	PLATE DIA	MOUNTS ON	WORKHOLDER OPTIONS
CL-250-00-QRFP	Blank	250mm	Quintus 2	Custom
CL-250-40-QRFP	Modular			Riser Block or Custom

CL5® QUICK-CHANGE 5-AXIS WORKHOLDING

SUBPLATES

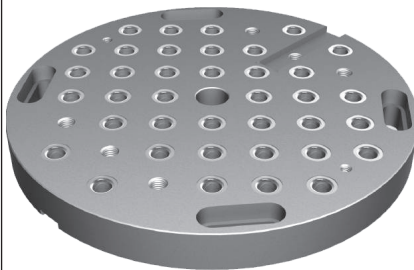


**250mm
Quintus 1 and
Modular Fixturing**

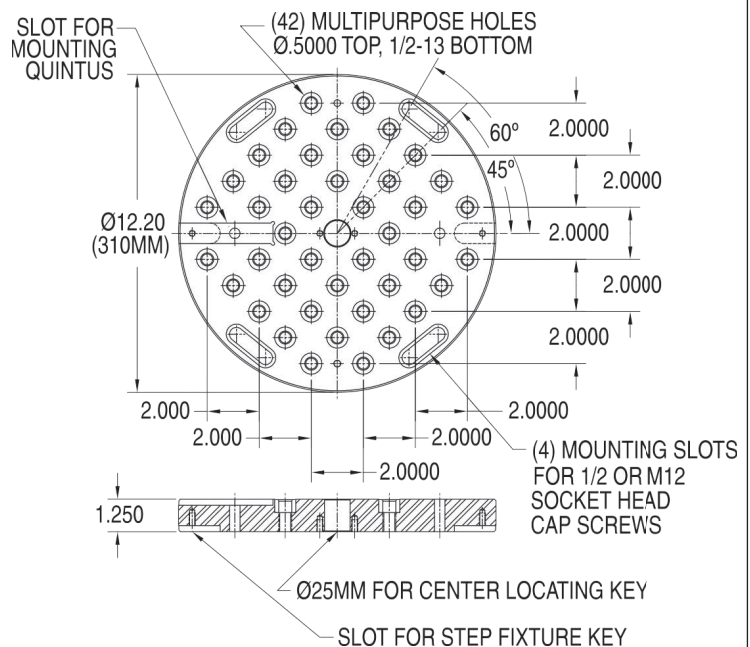


PART NO.	PLATE DIA	FITS TABLE DIA	WORKHOLDER OPTIONS
CL-250-41-QRFP	250mm	250mm	Quintus 1 with MC40, MC40Z, MC60, MC60Z, SCS80 Vise or Custom
		260mm	Riser Block with MC60, MC60Z, SCS80 Vise or Custom
			Modular Fixture or Custom

9



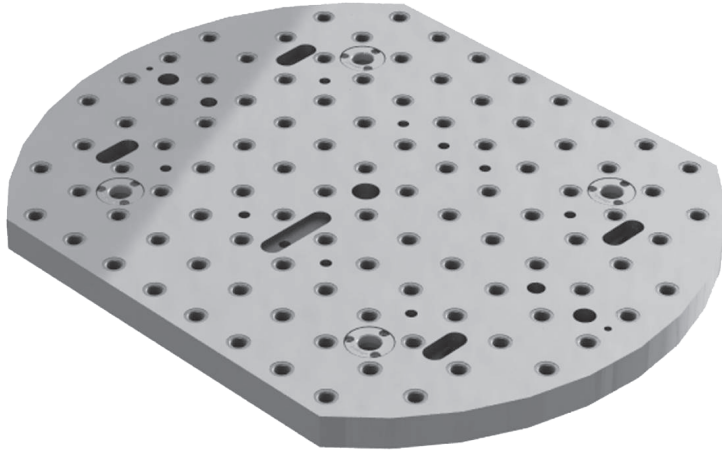
**310mm
Quintus 1, 2 and
Modular Fixturing**



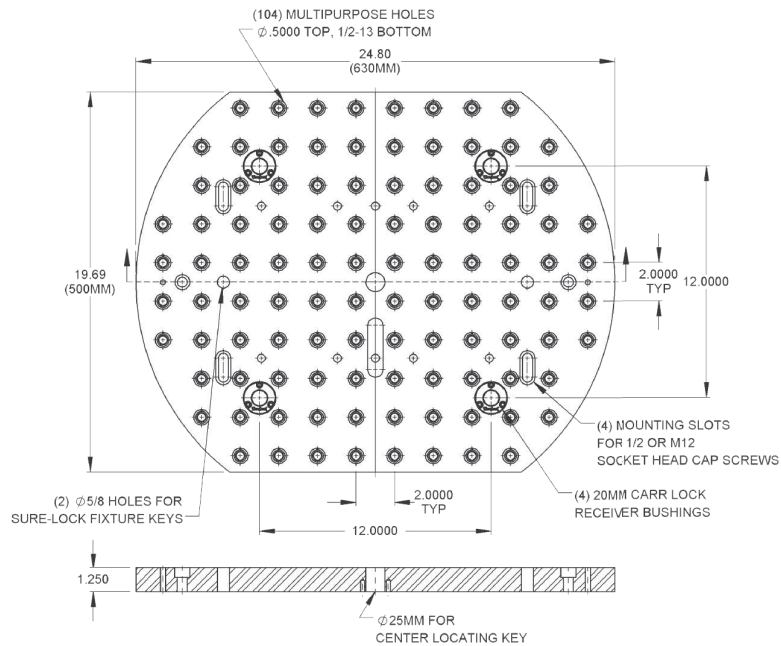
PART NO.	PLATE DIA	FITS TABLE DIA	WORKHOLDER OPTIONS
CL-310-42-RFP	310mm	300mm	Quintus 1 with MC40, MC40Z, MC60, MC60Z, SCS80 Vise or Custom
		310mm	Quintus 2 with MC100, MC100Z, SCS120 Vise or Custom
		320mm	Riser Block with MC60, MC60Z, SCS80, MC100, MC100Z, SCS120 Vise or Custom
		400mm	Modular Fixture or Custom

CL5® QUICK-CHANGE 5-AXIS WORKHOLDING

SUBPLATES



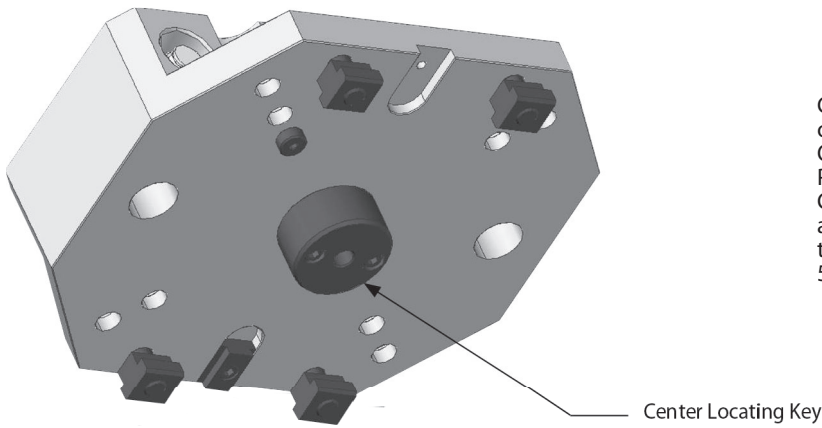
**630 x 500mm
Quintus 1, 2, 3,
Modular Fixturing
and Carr Lock**



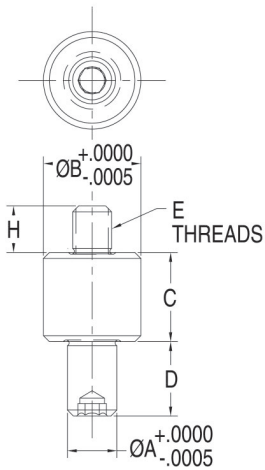
PART NO.	PLATE SIZE	FITS TABLE DIA	WORKHOLDER OPTIONS
CL-630500-44-CLRS	630 x 500mm	600mm 630 x 500mm	Quintus 1 with MC40, MC40Z, MC60, MC60Z, SCS80 Vise or Custom
			Quintus 2 with MC100, MC100Z, SCS120 Vise or Custom
			Quintus 3 with MC125Z Vise or Custom
			Riser Block with MC60, MC60Z, SCS80, MC100, MC100Z, SCS120 Vise or Custom
			Modular Fixture or Custom
			Carr Lock Fixture Plate

CL5® QUICK-CHANGE 5-AXIS WORKHOLDING

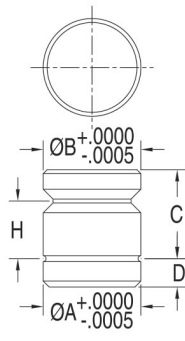
CENTER LOCATING KEYS



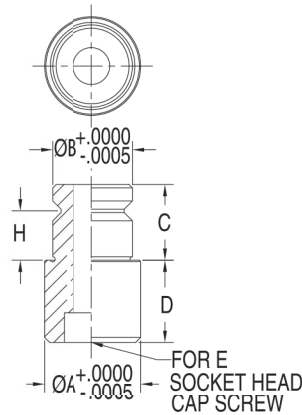
Center Locating Keys are used to precisely center a fixture on a rotary table. They can be used for mounting Quintus Quick-Change Risers, Riser Blocks, and Round Tooling Plates, which all have a standard 25mm center hole. All Center Locating Keys have a 25mm upper diameter and are available with a wide range of bottom diameters to fit the rotary table's center hole. 1144 steel, heat treated Rc 50-55, black oxide finish.



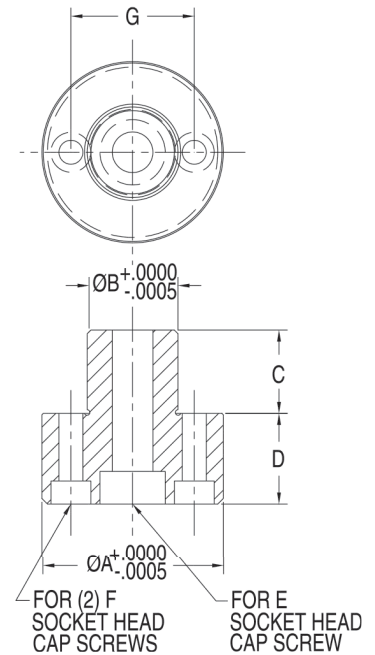
Type 1



Type 2



Type 3



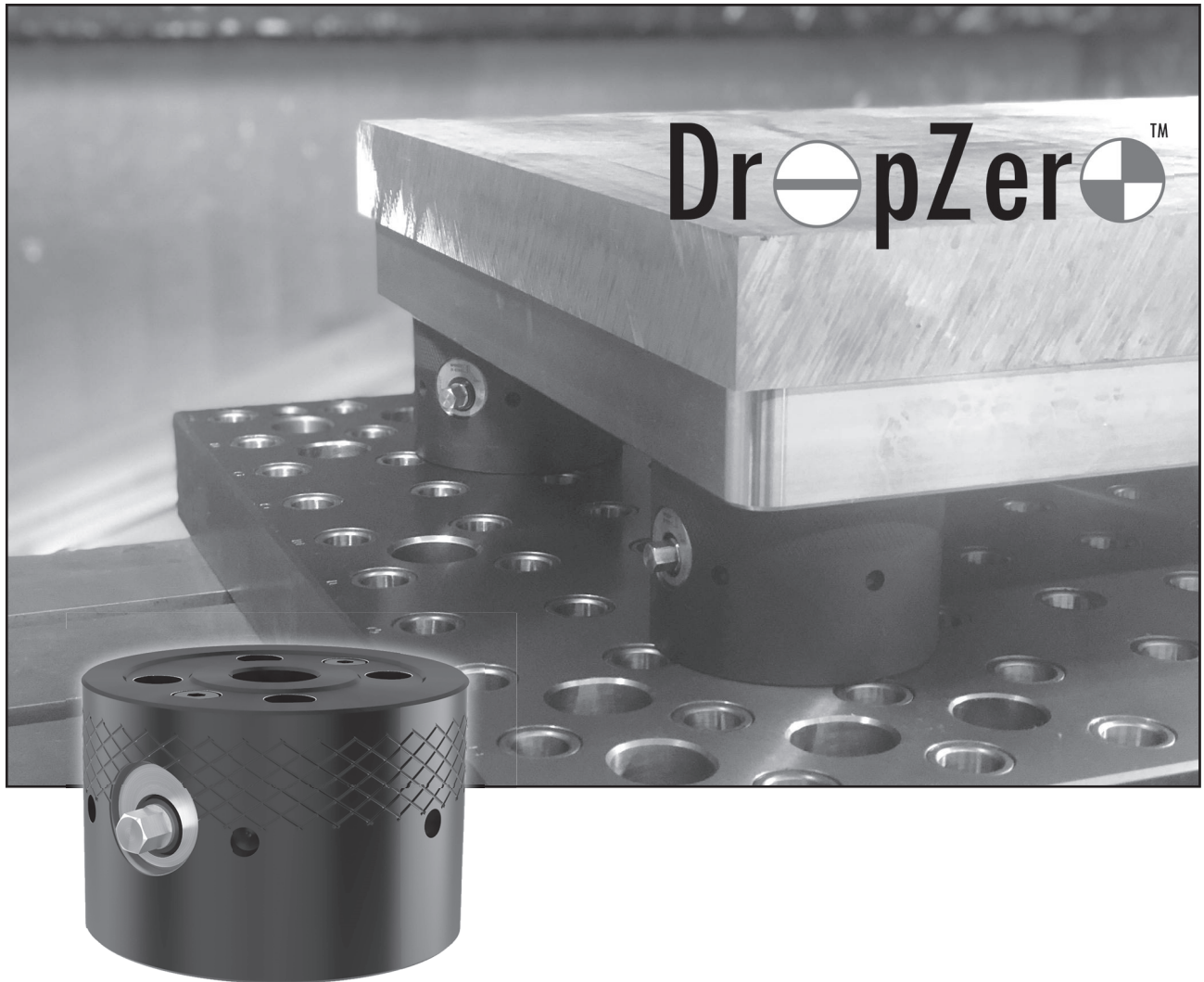
Type 4

CENTER LOCATING KEYS

PART NO.	TYPE	A DIA	B DIA	C	D	E	F	G	H
CLM-25-CLK-5000	Type 1	.5000	9.843 (25mm)	.90	.75	M10	—	—	.47
CLM-25-CLK-25	Type 2	.9843 (25mm)		.90	.29	—	—	—	.58
CLM-25-CLK-30	Type 3	1.1811 (30mm)		.91	.98	M10	—	—	.59
CLM-25-CLK-32		1.2598 (32mm)							
CLM-25-CLK-1.5000		1.5000							
CLM-25-CLK-50	Type 4	1.9685 (50mm)		.91	.98	M10	M6	1.339	—
CLM-25-CLK-70		2.000							
CLM-25-CLK-60		2.3622 (60mm)							
CLM-25-CLK-65		2.5591 (65mm)							
CLM-25-CLK-70		2.7559 (70mm)							
CLM-25-CLK-80		3.1496 (80mm)							
CLM-25-CLK-3.2500		3.2500							

DROPZERO™ MODULAR ZERO-POINT SYSTEM

Completely Machine Your Workpiece in One Setup



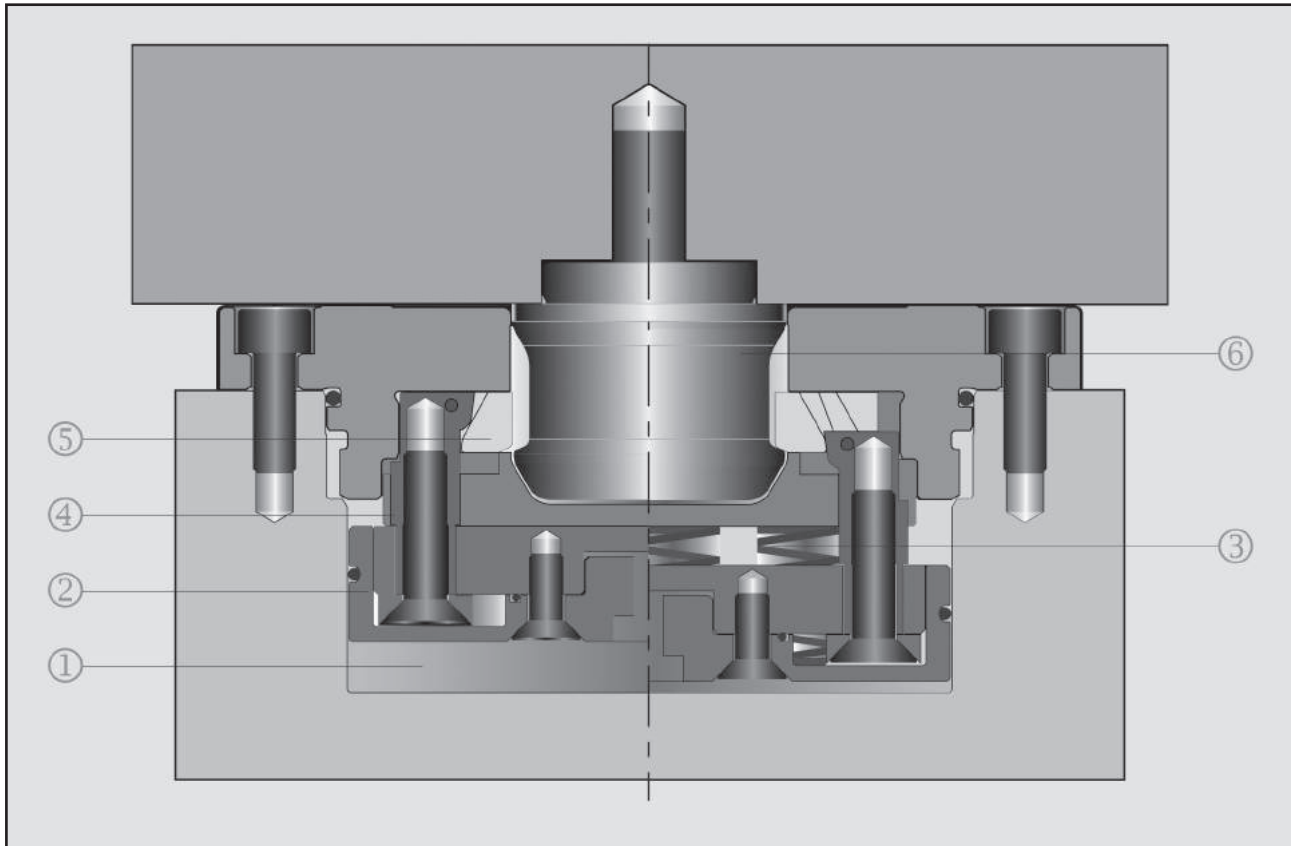
NEW Roemheld DropZero Modular Zero-Point System allows you to completely machine a workpiece in one setup. With a few turns of a wrench, DropZero locates, supports, and securely clamps the workpiece, providing full machining access to 5 sides.

Pull studs (round, diamond, and floating) are mounted directly to a part, and clamping modules can be mounted to anywhere on the fixturing plate, elevating the workpiece for machine-spindle clearance. Clamp modules are stackable for added clearance, and can fit on all of Carr Lane Mfg. Co.'s 1/2" and 5/8" modular tooling plates and blocks. They can also be used with non-modular tooling.

See Pages 672-675

STARK ZERO-POINT MOUNTING SYSTEM

PRINCIPLES OF OPERATION



9

Releasing pneumatically:

- Pneumatic pressure (1) is applied to the piston (2) and the piston moves upward. The spiral springs (3) are pressed together.
- The clamping fingers (4) move upward through the piston (2) and pull the segments (5) to the outside.
- The retractable nipple (6) is released.

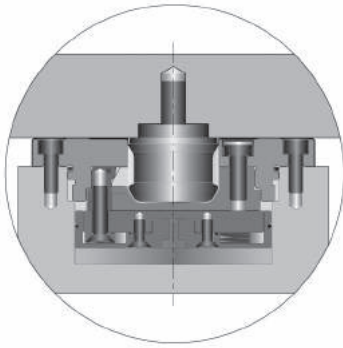
Clamping mechanically:

- The pneumatic pressure is relieved. The pneumatic pressure drops to zero.
- The spring pre-load is applied via the piston (2) and push the segments (5) toward the inside.
- The retractable nipple (6) is pulled down by the clamping face on the segments (5) and clamped against the bearing surface.

**See our Online Catalog
at carrlane.com**

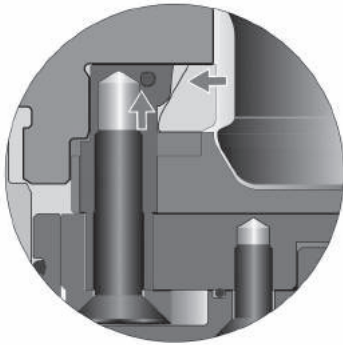
STARK ZERO-POINT MOUNTING SYSTEM

FEATURES AND ADVANTAGES



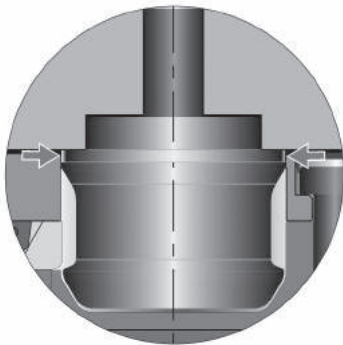
Design

- Compact design (Flush Mount, screw-fit or module)
- High retention force, enormous power density
- Maintenance-free, designed for large number of load changes (> 2 million in continuous test)
- Made of high quality tool steel and chromium steel
- Actuation with clean air, from 75psi to release
- Can be operated without additional service unit
- Environmentally friendly and clean operation (no oil)
- Particularly suitable for oil-free environment, e.g. in the foodstuffs, aerospace industry or medical sector.



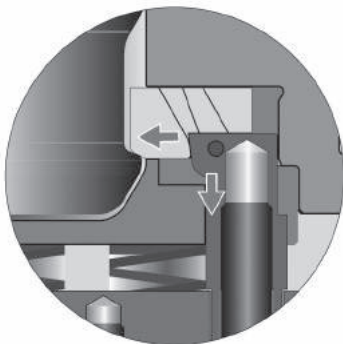
Positive action operation

- The segments are actuated mechanically
- Powerful and secure clamping is ensured at all times
- In an endurance test over 3 million clamping cycles tested full functionality even under extreme conditions.
- Functions reliably in any installation position
- Very short clamping and release time – 0.2sec



Cylindrical fit

- Due to the cylindrical fit, high lateral forces can be absorbed by the fast closing clamp during the machining
- Ideal pre-centring for Römheld coupling elements without coupling travel, data sheet F9.461



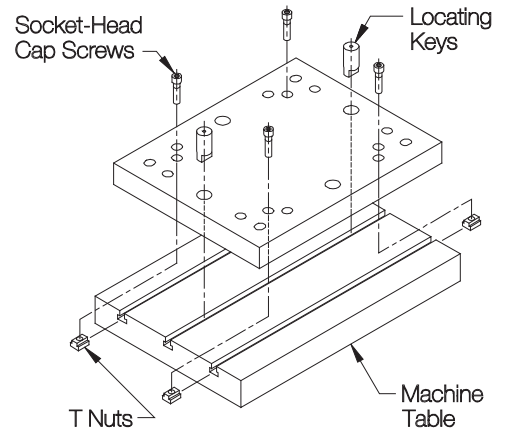
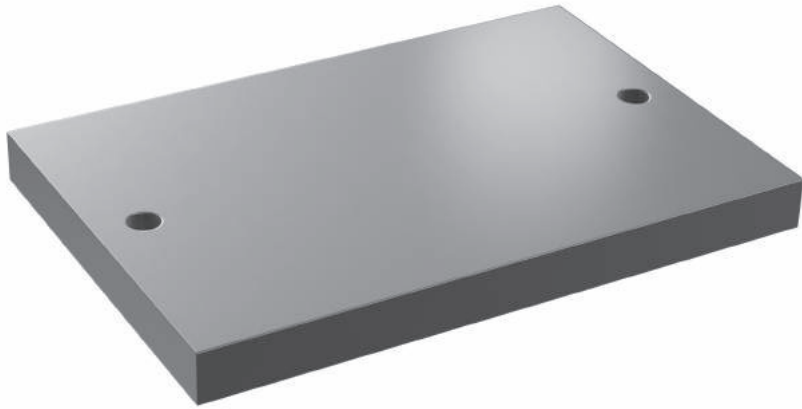
Segments

- Due to the optimal all-round positive clamping action of the clamping segments, the retractable nipple is retained stably and securely in the fast closing clamp.

**See our Online Catalog
at carrlane.com**

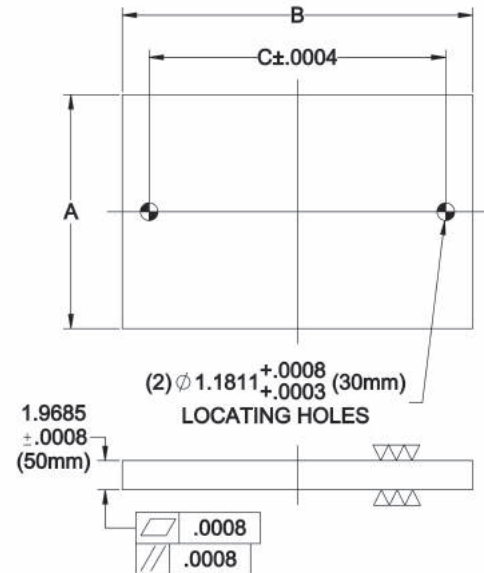
RECTANGULAR TOOLING PLATES

GRAY CAST IRON, ASTM CLASS 45



T-Slotted Table

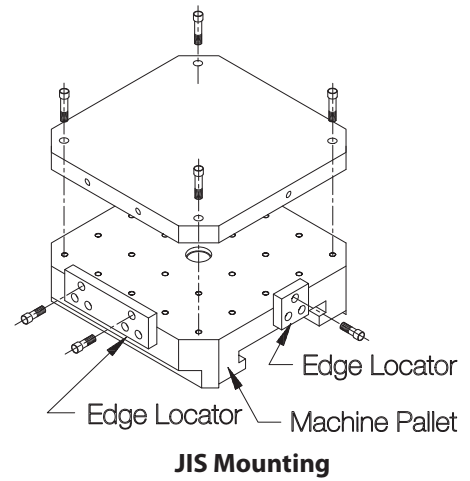
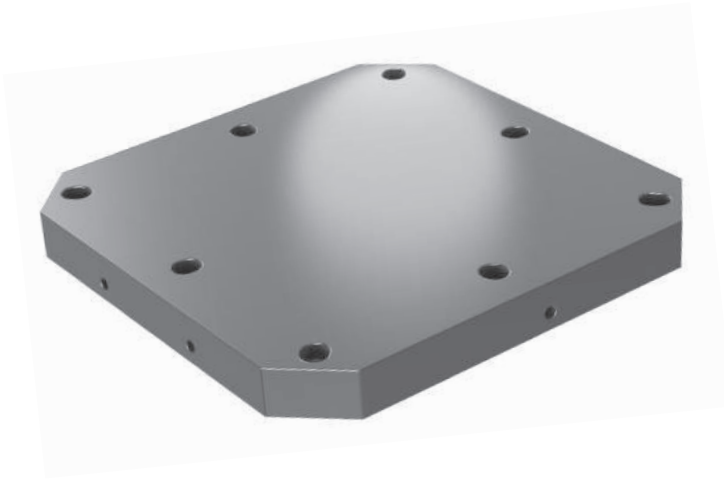
Precision blank tooling plates that are ready to mount on virtually any vertical machining center, reducing tooling cost and leadtime considerably. Finish machined to tight tolerances. Precision Locating-Key holes allow accurate mounting directly on a machine table. Available in two standard fixture sizes. **INFO+**: See page 257 for Locating Keys and page 320 for T Nuts, to fit specific table-slot sizes.



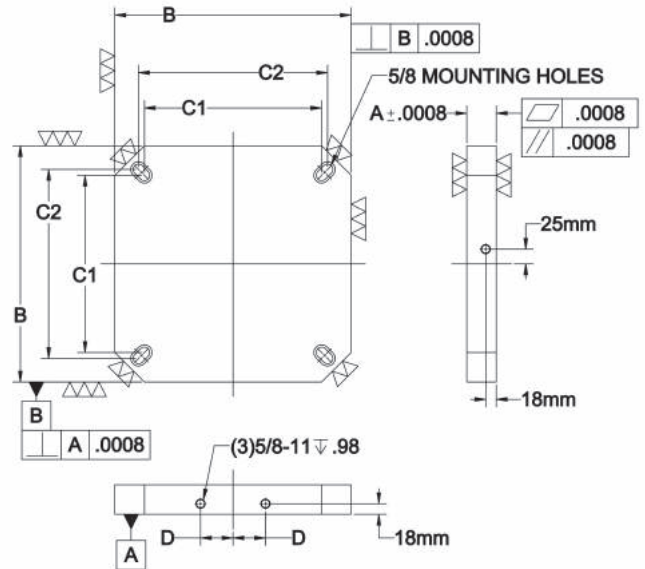
PART NO.	A		B		C	WEIGHT (lbs)
	NOMINAL	ACTUAL	NOMINAL	ACTUAL		
CL-1624-RTPB	16	15.75	24	23.62	20	188
CL-2024-RTPB	20	19.69	24	23.62	20	235

SQUARE PALLET TOOLING PLATES

GRAY CAST IRON, ASTM CLASS 45



Precision blank tooling plates that are ready to mount on standard horizontal-machining-center pallets, reducing tooling cost and leadtime considerably. Finish machined to tight tolerances. JIS mounting from two reference edges provides accurate location.



9

PART NO.	B PALLET SIZE		A HEIGHT		C1	C2	D	NO. OF MOUNTING HOLES	WEIGHT (lbs)
	NOMINAL	ACTUAL	NOMINAL	ACTUAL					
CL-400-PTPB	400mm	15.7480	50mm	1.9685	320mm	11.81	55mm	4	126
CL-500-PTPB	500mm	19.6850	50mm	1.9685	400mm	16	75mm	8	194

TWO-SIDED TOOLING BLOCKS

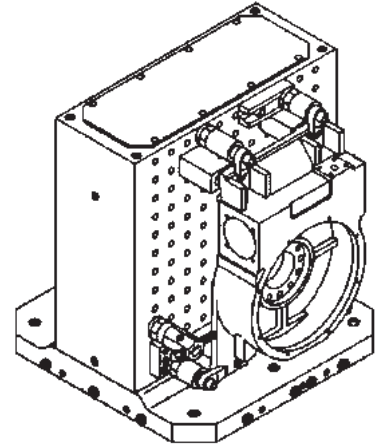
GRAY CAST IRON, ASTM CLASS 45



Extra Tall

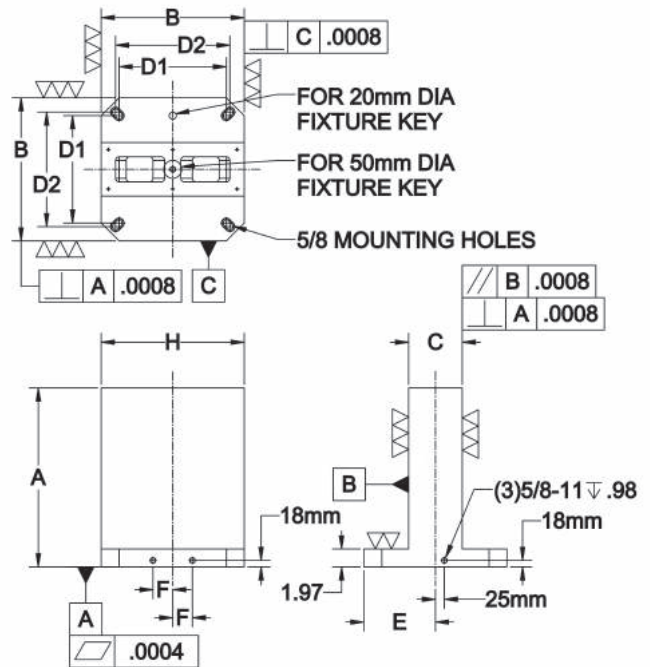


Regular Height



These tooling blocks have two identical wide faces to allow fixturing large parts.

Precision blank tooling blocks for horizontal-machining-center pallets. One-piece cast iron construction provides superior accuracy, dimensional stability, and vibration dampening. Both tooling faces are finish machined to tight tolerances and qualified to the base. Dual mounting capability allows both JIS mounting (locating from two reference edges) and DIN mounting (locating from center and radial holes) with excellent accuracy. Universal mounting holes fit almost any inch or metric slot spacing. Available in 400 and 500mm pallet sizes, each in a choice of heights.



PART NO.	B PALLET SIZE		A HEIGHT		C		D1	D2	E	F	G	H	NO. OF MOUNTING HOLES	WEIGHT (lbs)
	NOMINAL	ACTUAL	NOMINAL	ACTUAL	NOMINAL	ACTUAL								
CL-400400500-TTBB	400mm	15.7480	500mm	19.69	150mm	5.9055	320mm	11.81	7.8740	55mm	1.97	15.75	4	375
CL-400400650-TTBB			650mm	25.59										520
CL-500500600-TTBB	500mm	19.6850	600mm	23.62	200mm	7.8740	400mm	16	9.8425	75mm	1.97	19.69	6	584
CL-500500750-TTBB			750mm	29.53										820

FOUR-SIDED TOOLING BLOCKS

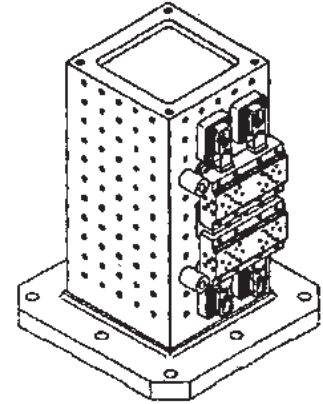
GRAY CAST IRON, ASTM CLASS 45



Extra Tall

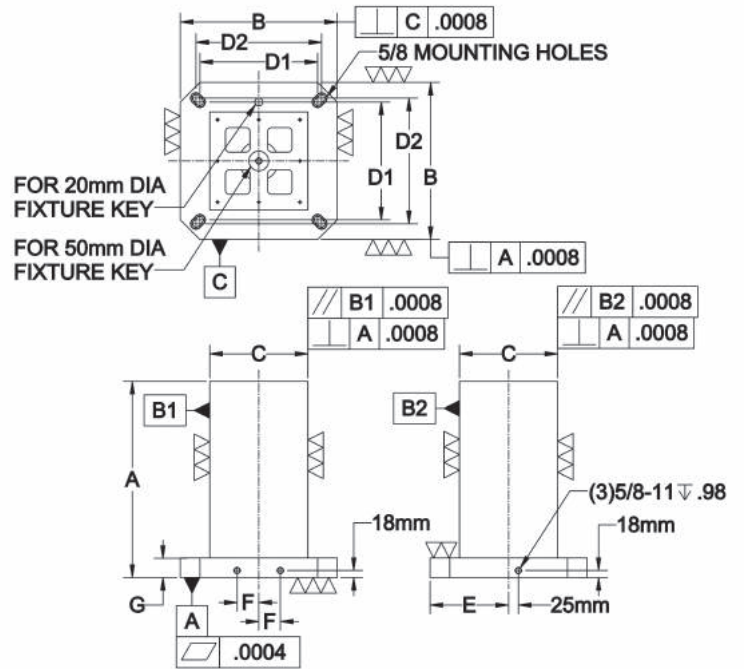


Regular Height



With four identical faces, these tooling blocks are ideal for loading a large number of medium-size parts on a pallet.

Precision blank tooling blocks for horizontal-machining-center pallets. One-piece cast iron construction provides superior accuracy, dimensional stability, and vibration dampening. All four faces are finish machined to tight tolerances and qualified to the base. Dual mounting capability allows both JIS mounting (locating from two reference edges) and DIN mounting (locating from center and radial holes) with excellent accuracy. Universal mounting holes fit almost any inch or metric slot spacing. Available in 400 and 500mm pallet sizes, each in a choice of heights.



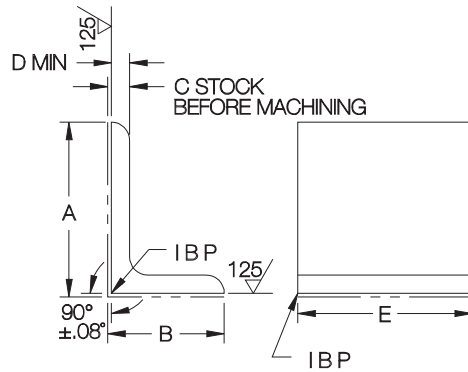
PART NO.	B PALLET SIZE		A HEIGHT		C		D1	D2	E	F	G	NO. OF MOUNTING HOLES	WEIGHT (lbs)
	NOMINAL	ACTUAL	NOMINAL	ACTUAL	NOMINAL	ACTUAL							
CL-400250500-FTBB	400mm	15.7480	500mm	19.69	250mm	9.8425	320mm	11.81	7.8740	55mm	1.97	4	337
CL-400250650-FTBB			650mm	25.59									481
CL-500300600-FTBB	500mm	19.6850	600mm	23.62	300mm	11.8110	400mm	16	9.8425	75mm	1.97	8	551
CL-500300750-FTBB			750mm	29.53									739

ANGLE BRACKETS

STEEL: ASTM A36, BLACK OXIDE FINISH
ALUMINUM: 6061-T6



Precision setup angles machined flat and perpendicular to close tolerances. Available in steel or high-strength aluminum.

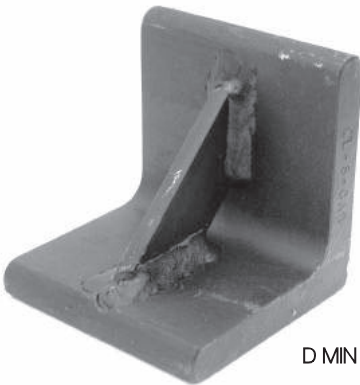


PART NO. STEEL	PART NO. ALUMINUM	A	B	C	D	E
CL-1-AB	—	2-1/2	2	1/4	7/32	1-1/2
CL-2-AB	CL-2-AB-A	2	2	3/8	5/16	2
CL-21-AB	—					3
CL-3-AB	CL-3-AB-A					4
CL-4-AB	—					6
CL-3A-AB	CL-3A-AB-A	3	2			2
CL-3B-AB	—					3
CL-22-AB	—					4
CL-5-AB	—	3	3			2
CL-6-AB	—			3		
CL-7-AB	—			4		
CL-23-AB	—	4	4	6		
CL-8-AB	—			4		
CL-9-AB	—	3	3	2		
CL-10-AB	CL-10-AB-A			3		
CL-11-AB	—			4		
CL-7A-AB	—	4	3	2		
CL-7B-AB	—			3		
CL-12-AB	CL-12-AB-A	4	4	1/2	7/16	3
CL-13-AB	CL-13-AB-A					4
CL-14-AB	—					5
CL-24-AB	—					6
CL-15-AB	CL-15-AB-A	6	4			4
CL-16-AB	—					5
CL-17-AB	CL-17-AB-A					6
CL-18-AB	—	6	6			4
CL-19-AB	—			5		
CL-20-AB	CL-20-AB-A			6		

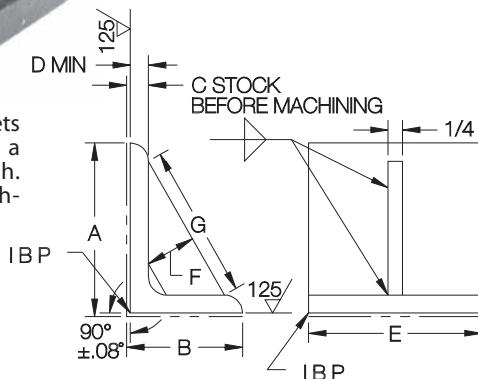
GUSSETED ANGLE BRACKETS

9

STEEL: ASTM A36, BLACK OXIDE FINISH
ALUMINUM: 6061-T6



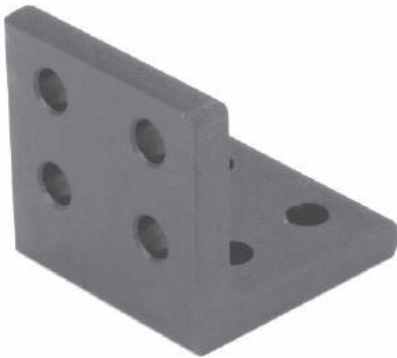
Similar to the Angle Brackets shown above, except with a gusset for added strength. Available in steel or high-strength aluminum.



PART NO. STEEL	PART NO. ALUMINUM	A	B	C	D	E	F	G
CL-3A-GAB	—	3	2	3/8	5/16	2	7/8	2-3/4
CL-3B-GAB	—					3		
CL-1-GAB	—	3	3			2		
CL-2-GAB	—					3		
CL-3-GAB	—					4		
CL-4-GAB	—	4	4			3		
CL-5-GAB	—					4		
CL-6-GAB	—					5		
CL-7-GAB	—	3	3	2				
CL-8-GAB	CL-8-GAB-A			3				
CL-9-GAB	—			4				
CL-7A-GAB	—	4	3	2				
CL-7B-GAB	—			3				
CL-10-GAB	CL-10-GAB-A	4	4	1/2	7/16	3		
CL-11-GAB	CL-11-GAB-A					4		
CL-12-GAB	—					5		
CL-13-GAB	CL-13-GAB-A	6	4			4		
CL-14-GAB	—					5		
CL-15-GAB	CL-15-GAB-A					6		
CL-16-GAB	—	6	6			4		
CL-17-GAB	—					5		
CL-18-GAB	CL-18-GAB-A			6				

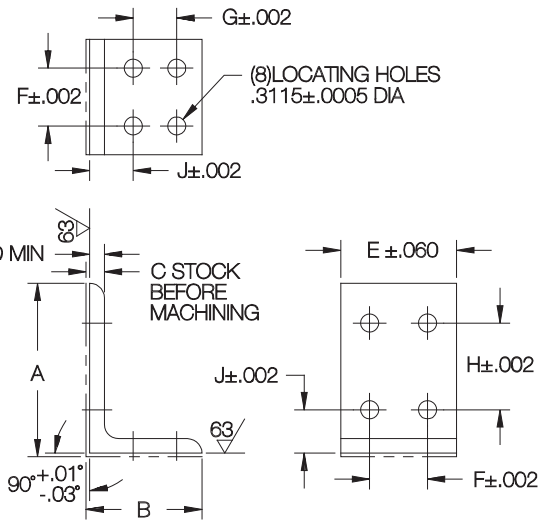
ANGLE BRACKETS WITH LOCATING HOLES

ASTM A36 STEEL, BLACK OXIDE FINISH



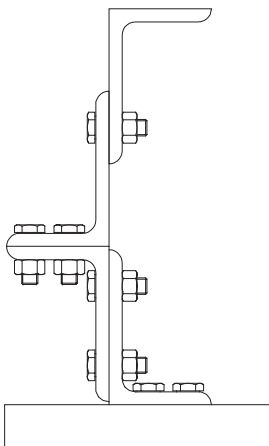
Angle Bracket

Extremely accurate angle brackets with precision locating holes. These angles are ideal for bolting together like an erector set to create large-scale tooling. The 90° angle and (8) locating holes are machined to close tolerances to maintain good accuracy in built-up tooling. Use with the precision locating bolts shown below.

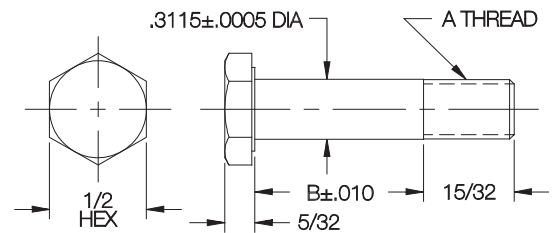


ANGLE BRACKETS

PART NO. STEEL	A	B	C	D	E	F	G	H	J
CL-1531-ABK	2	2	3/8	1/4	2	1.000	.750	.750	.750
CL-1532-ABK	3	2			4	3.000		1.500	
CL-1535-ABK	2	2			3	2.000	.750		
CL-1539-ABK	3	3	1/2	3/8	3	2.000	1.250	1.250	1.125
CL-1533-ABK	4	4					2.000	2.000	1.000
CL-15310-ABK	4	4			2.000	2.000	1.125		
CL-1534-ABK	6	4			1.500	3.500	1.500		
CL-1536-ABK	6	6	3.500	3.500	1.500				
CL-1538-ABK	6	4	5/8	1/2	6	5.000	1.500	3.500	1.500
CL-1537-ABK	6	6					3.500	3.500	1.500



These high-precision angles can be bolted together to build economical large-scale tooling. Ideal for assembly and welding fixtures.



ANGLE BRACKET LOCATING BOLTS AND HEX NUTS

PART NO. LOCATING BOLT	PART NO. HEX NUT	A	B
CL-506-ABLB	CL-5-FHN	5/16-24	.375
CL-508-ABLB			.500
CL-510-ABLB			.625
CL-512-ABLB			.750
CL-516-ABLB			1.000
CL-520-ABLB			1.250
CL-524-ABLB			1.500



Angle Bracket Locating Bolt

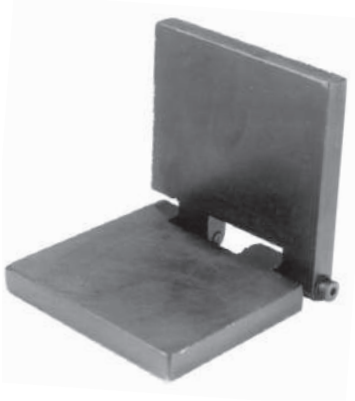


Hex Nut

Precision bolts for fastening angle brackets to each other, and to other tooling. Ground locating diameter provides a slight press fit when angles are bolted together. Steel.

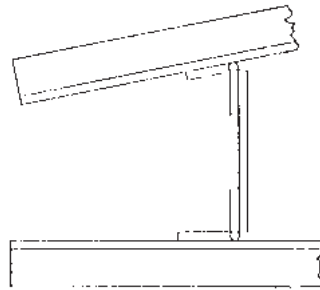
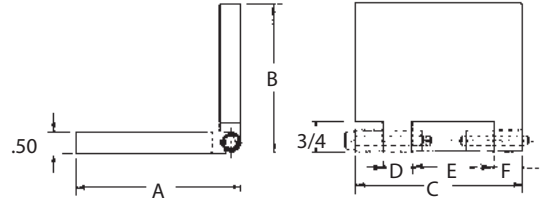
ADJUSTABLE ANGLES

1018 STEEL, BLACK OXIDE FINISH



Plain

Precision angle with accurately machined sides and a close-tolerance hinge. Available either plain, with tabs for welding on a gusset, or with a removable pivot pin. **Patent no. 3,039,570.**



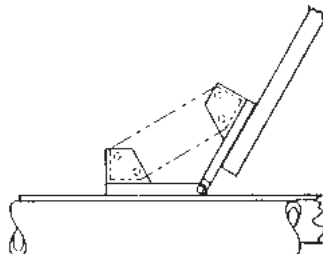
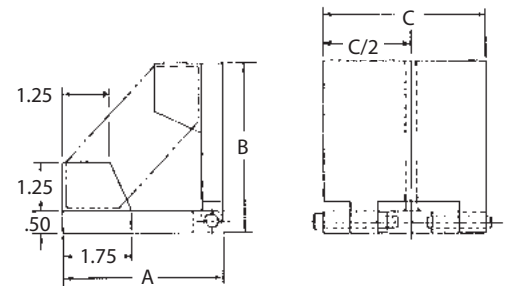
PLAIN

PART NO.	A	B	C	D	E	F
CL-AA-4P	3	3	3	5/8	1-1/8	5/8
CL-AA-3P	3	3	4	3/4	1-3/4	3/4
CL-AA-2P	4	3	4	3/4	1-3/4	3/4
CL-AA-1P	4	4	4	3/4	1-3/4	3/4

9



Gusseted

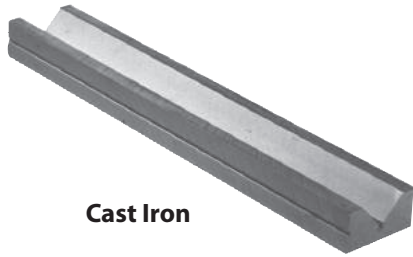


GUSSETED

PART NO.	A	B	C	D	E	F
CL-AA-4G	3	3	3	5/8	1-1/8	5/8
CL-AA-1G	4	4	4	3/4	1-3/4	3/4

CAST SECTIONS

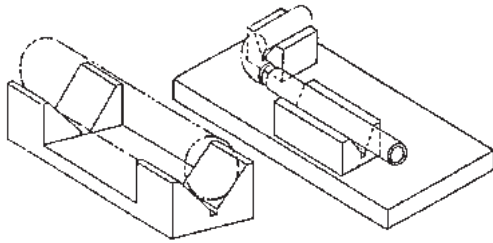
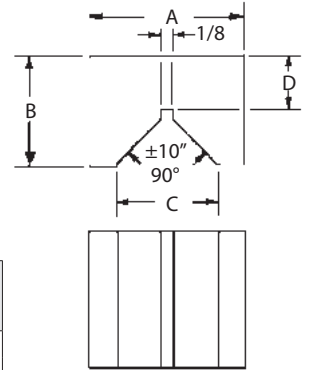
CAST IRON: ASTM CLASS 40, TENSILE STRENGTH 40,000 TO 45,000 PSI
ALUMINUM: 352, TENSILE STRENGTH 30,000 PSI



Cast Iron

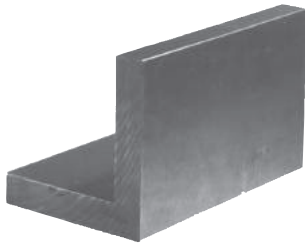
Fast, economical way to make special fixture components. All surfaces are machined square and parallel within ± 0.005 inches per foot, except ends. Internal faces on square and rectangular sections are unfinished. All dimensions $\pm 1/32$ (except length, which is $-1/16$ to $+1/8$).

Cast sections are available in full lengths (usually 25") or 6" lengths. Custom lengths are available as specials.



V SECTIONS — CAST IRON

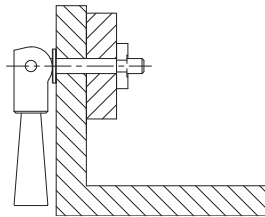
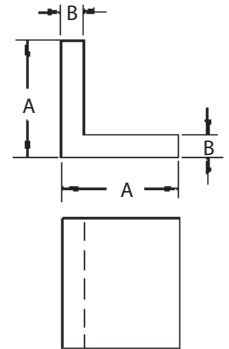
PART NO. FULL LENGTH	PART NO. 6" LENGTH	A	B	C	D	FULL LENGTH
CL-1-CSV-18.00	CL-1-CSV-6.00	2	1	1-1/4	5/16	18
CL-2-CSV-18.00	CL-2-CSV-6.00	3	1-3/4	2	11/16	
CL-3-CSV-18.00	CL-3-CSV-6.00	4	2-1/2	3	7/8	



Cast Iron and Aluminum

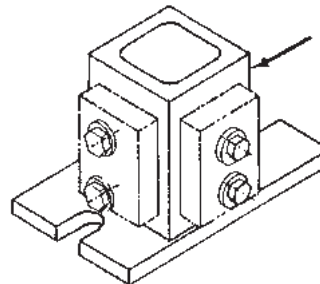
L SECTIONS — CAST IRON

PART NO. FULL LENGTH	PART NO. 6" LENGTH	A	B	FULL LENGTH
CL-1-CSA-25.00	CL-1-CSA-6.00	3	5/8	25
CL-2-CSA-25.00	CL-2-CSA-6.00	4	3/4	
CL-3-CSA-25.00	CL-3-CSA-6.00	5	1	
CL-4-CSA-25.00	CL-4-CSA-6.00	6	1-1/4	
CL-5-CSA-25.00	CL-5-CSA-6.00	8	1-1/4	



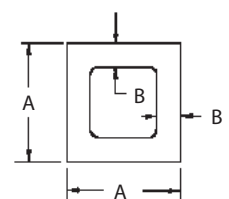
L SECTIONS — ALUMINUM

PART NO. FULL LENGTH	PART NO. 6" LENGTH	A	B	FULL LENGTH
CL-1-CAA-25.00	CL-1-CAA-6.00	3	5/8	25
CL-2-CAA-25.00	CL-2-CAA-6.00	4	3/4	
CL-3-CAA-25.00	CL-3-CAA-6.00	5	1	



SQUARE SECTIONS — CAST IRON

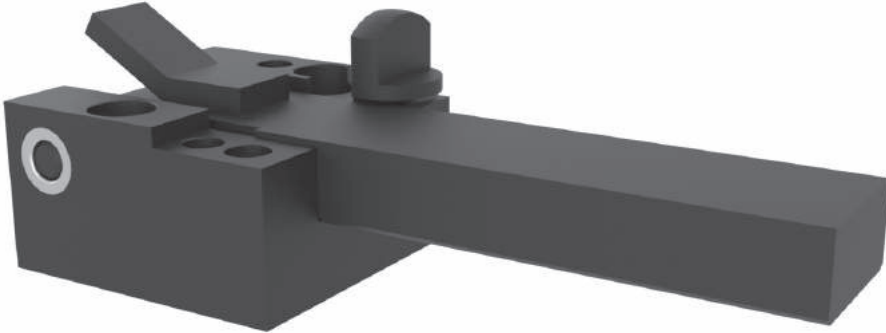
PART NO. FULL LENGTH	PART NO. 6" LENGTH	A	B	FULL LENGTH
CL-1-CSS-25.00	CL-1-CSS-6.00	3	1/2	25
CL-2-CSS-25.00	CL-2-CSS-6.00	4	5/8	
CL-3-CSS-25.00	CL-3-CSS-6.00	6	3/4	
CL-4-CSS-25.00	CL-4-CSS-6.00	8	1	



Cast Iron

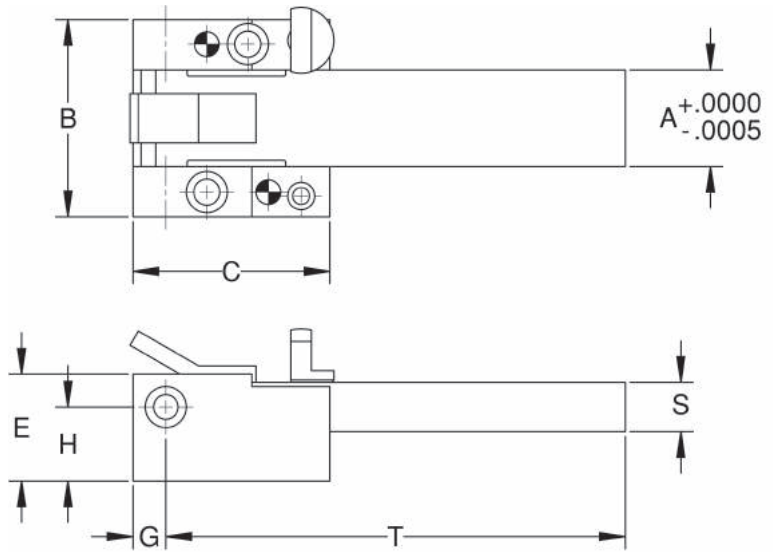
HINGED BUSHING PLATES

BASE: A36 STEEL, CARBURIZE-HARDENED, BLACK OXIDE FINISH
 ARM: A36 STEEL, WEAR SURFACES HARD WELDED & GROUND, BLACK OXIDE FINISH
 PIVOT PIN: 4130 STEEL, HEAT TREATED, BLACK OXIDE FINISH



Complete Assembly

Hinged Bushing Plates are precise, heavy-duty bushing-plate assemblies for large-scale production jigs. The swing-away arm is precision ground but left unhardened for installing drill bushings (wear surfaces are hard welded and ground). The arm swings open a full 120° for loading clearance. The mounting base is hardened and precisely ground to provide accurate location. The base includes liner bushings as bearings for the hardened pivot pin, and a half-turn latch screw. Available in three sizes.

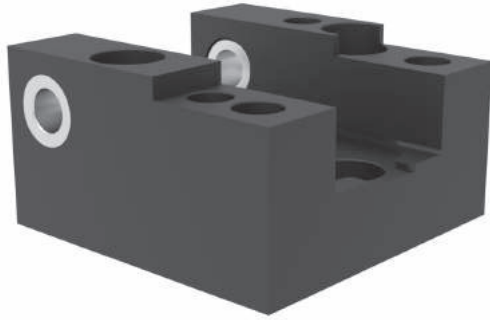


COMPLETE ASSEMBLY

PART NO.	A	B	C	E	G	H	S	T
CL-1-HBP	1.4675	3	3	1-5/8	.500	1.125	3/4	6.995
CL-2-HBP	1.9675	3-1/2	4	1-3/4	.500	1.250	1	9.500
CL-3-HBP	2.4675	4	5	2	.625	1.375	1-1/4	11.875

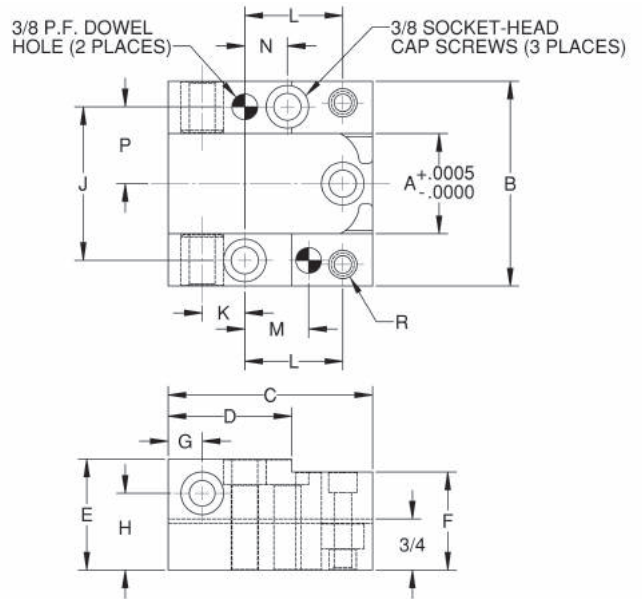
HINGED BUSHING PLATES

BASE: A36 STEEL, CARBURIZE-HARDENED, BLACK OXIDE FINISH
 ARM: A36 STEEL, WEAR SURFACES HARD WELDED & GROUND, BLACK OXIDE FINISH
 PIVOT PIN: 4130 STEEL, HEAT TREATED, BLACK OXIDE FINISH



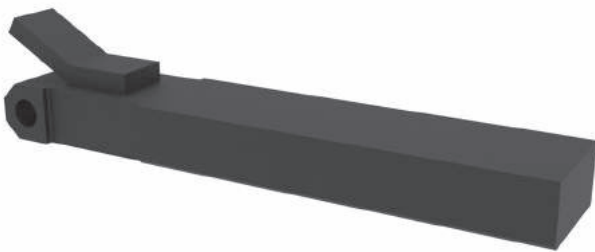
Base Only

The base can be ordered separately if customer-made arms will be used. The base kit shown here includes all hardware including the liner bushings, pivot pin, setscrew, and half-turn latch screw.



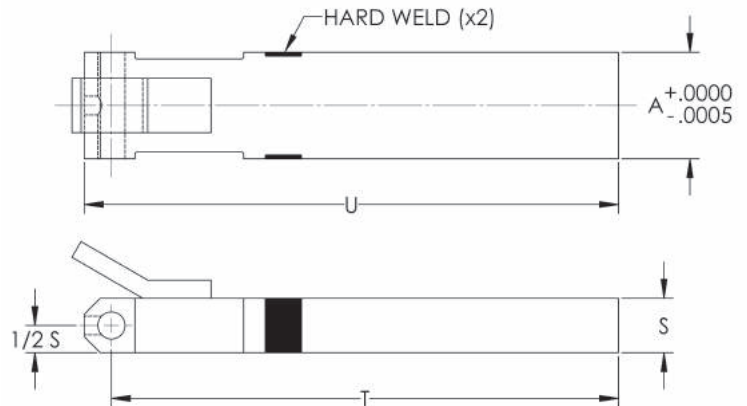
BASE KIT ONLY

PART NO.	A	B	C	D	E	F	G	H	J	K	L	M	N	P	R
CL-1-HBP-BK	1.468	3	3	1.81	1-5/8	1.43	.500	1.125	2.25	.625	1.438	.938	.625	1.125	5/16-18
CL-2-HBP-BK	1.968	3-1/2	4	2.50	1-3/4	1.68	.500	1.250	2.75	.750	2.250	1.500	.625	1.375	3/8-16
CL-3-HBP-BK	2.468	4	5	3.25	2	1.87	.625	1.375	3.25	.875	3.000	2.188	.750	1.625	1/2-13



Arm Only

Arms can be ordered separately, to use as replacements or to switch tooling. The pivot pin can be easily removed by loosening the setscrew, allowing quick arm changeover.



ARM ONLY

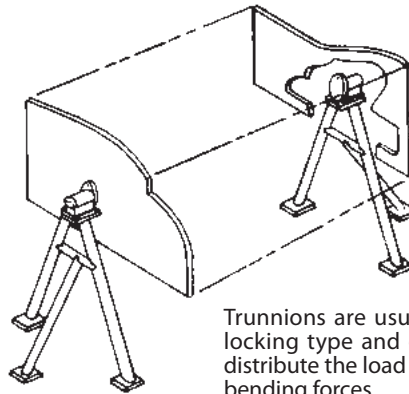
PART NO.	A	S	T	U
CL-1-HBP-A	1.4675	3/4	7.00	7-3/8
CL-2-HBP-A	1.9675	1	9.50	10
CL-3-HBP-A	2.4675	1-1/4	11.88	12-1/2

TRUNNIONS

ARM: TENZALOY ALUMINUM ALLOY
 BODY: ALUMINUM WITH BRONZE BEARINGS, POWDER-COATED EXTERIOR



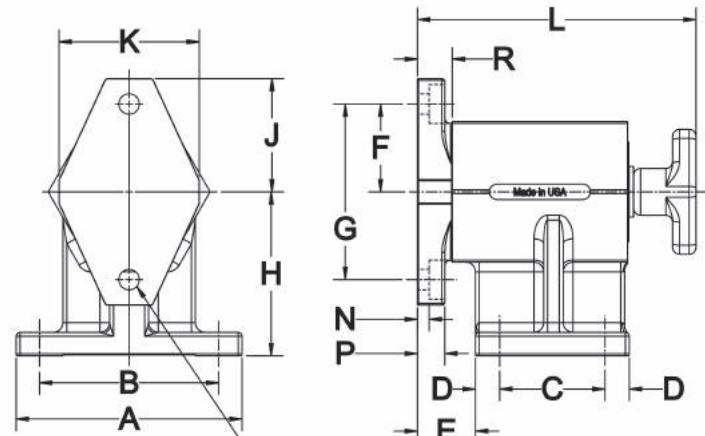
Locking Type



Trunnions are usually used in pairs, one locking type and one revolving type, to distribute the load between them without bending forces.

Trunnions are rugged, precision bearing mounts for revolving fixtures. Ideal for assembly and welding fixtures, and any other applications where the part must be accessible from all sides. Usually used in pairs, one locking Trunnion and one revolving Trunnion, to distribute the load between them without bending forces. The locking version, shown here, has a friction-cone mechanism that stops the rotor at any angle by tightening the knob handle (loosen knob again to unlock). The revolving version has a free-rotating bearing at both ends of the rotor shaft, with no locking mechanism. Choice of two sizes. **Patent no. 3,129,937.** Made in USA.

9



(6) MOUNTING HOLES FOR M DIA SCREWS

LOCKING TYPE

PART NO.	LOAD CAPACITY (18" from face)	A	B	C	D	E	F	G	H	J	K	L	M	N	P	R
CL-100-TL	1800 lbs	5	4	2-3/8	1/2	1-3/8	2	4	4	2-5/8	3-1/4	7	3/8 or M10	.33	5/8	13/16
CL-200-TL	2500 lbs	7-1/4	5-3/4	3-3/8	3/4	1-7/8	2-13/16	5-5/8	5-1/4	3-3/4	4-1/4	9	5/8 or M16	.38	7/8	1-1/8

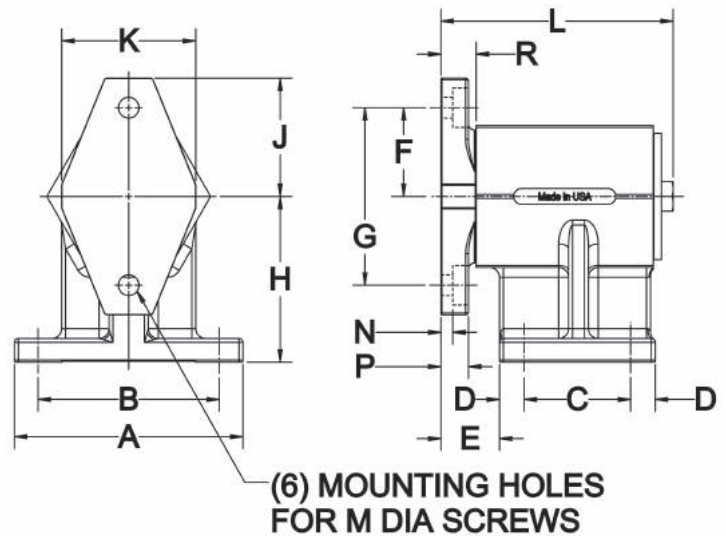
TRUNNIONS

ARM: TENZALOY ALUMINUM ALLOY
 BODY: ALUMINUM WITH BRONZE BEARINGS, POWDER-COATED EXTERIOR



Revolving Type

Trunnions are rugged, precision bearing mounts for revolving fixtures. Ideal for assembly and welding fixtures, and any other applications where the part must be accessible from all sides. Usually used in pairs, one locking Trunnion and one revolving Trunnion, to distribute the load between them without bending forces. The locking version has a friction-cone mechanism that stops the rotor at any angle by tightening the knob handle (loosen knob again to unlock). The revolving version, shown here, has a free-rotating bearing at both ends of the rotor shaft, with no locking mechanism. Choice of two sizes. **Patent no. 3,129,937.** Made in USA.



REVOLVING TYPE

PART NO.	LOAD CAPACITY (18" from face)	A	B	C	D	E	F	G	H	J	K	L	M	N	P	R
CL-100-TR	1800 lbs	5	4	2-3/8	1/2	1-3/8	2	4	4	2-5/8	3-1/4	5-7/16	3/8 or M10	.33	5/8	13/16
CL-200-TR	2500 lbs	7-1/4	5-3/4	3-3/8	3/4	1-7/8	2-13/16	5-5/8	5-1/4	3-3/4	4-1/4	7-5/8	5/8 or M16	.38	7/8	1-1/8

TECHNICAL INFORMATION ADJUSTABLE LOCKING HUBS

TYPES AVAILABLE



**Heavy-Duty—Stainless Steel
Two Round Ends**
INFO+: Page 411



**Heavy-Duty—Stainless Steel
Two Mounting Flanges**
INFO+: Page 412

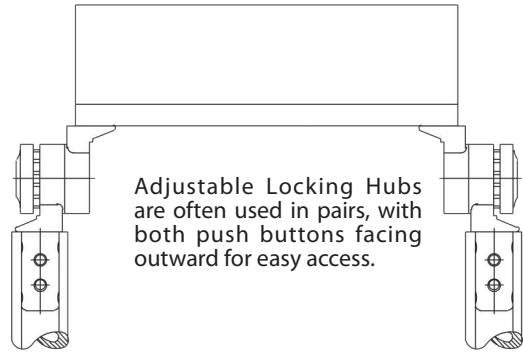


**Heavy-Duty—Stainless Steel
Mounting Flange & Round End**
INFO+: Page 413



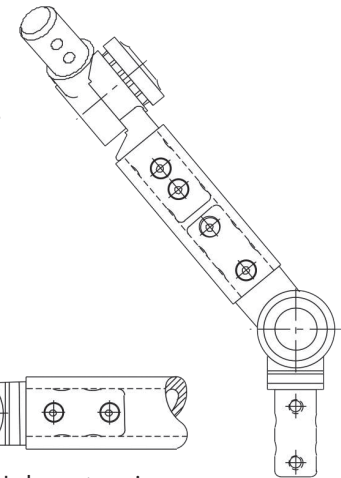
**Medium-Duty—Thermoplastic
Two Square Ends**
INFO+: Page 414

APPLICATION EXAMPLES

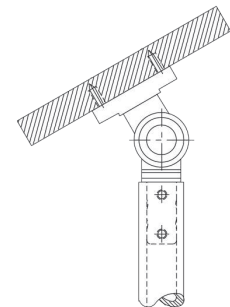
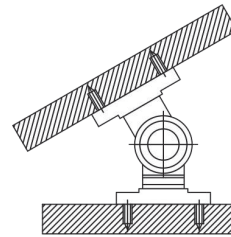
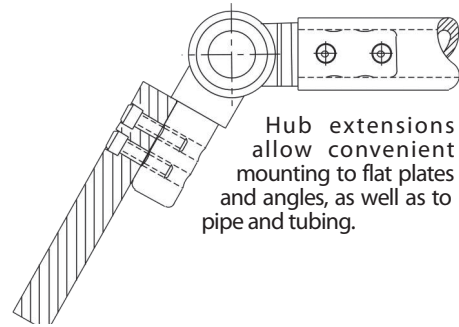


Adjustable Locking Hubs are often used in pairs, with both push buttons facing outward for easy access.

Connect two Adjustable Locking Hubs at 90° (with pipe or tubing) for full 5-Axis positioning.

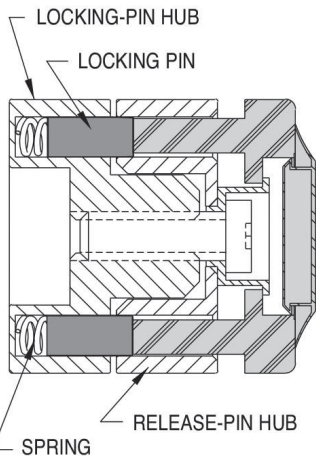


Hub extensions allow convenient mounting to flat plates and angles, as well as to pipe and tubing.



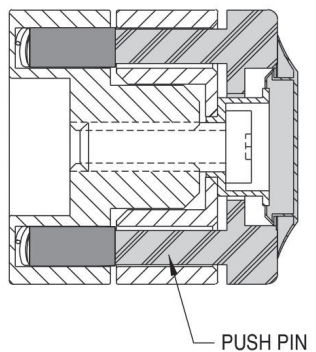
Mounting flanges are ideal for attaching Adjustable Locking Hubs to flat surfaces. Heavy-duty hubs are available with either two mounting flanges, or one mounting flange and one round end.

9



Locked

In locked position, the locking-pin hub and release-pin hub are positively engaged by high-strength locking pins.

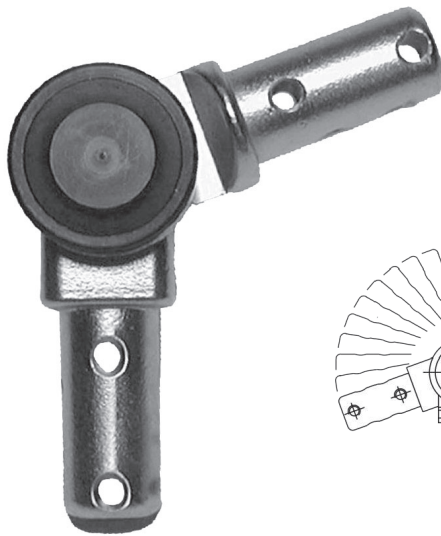


Unlocked

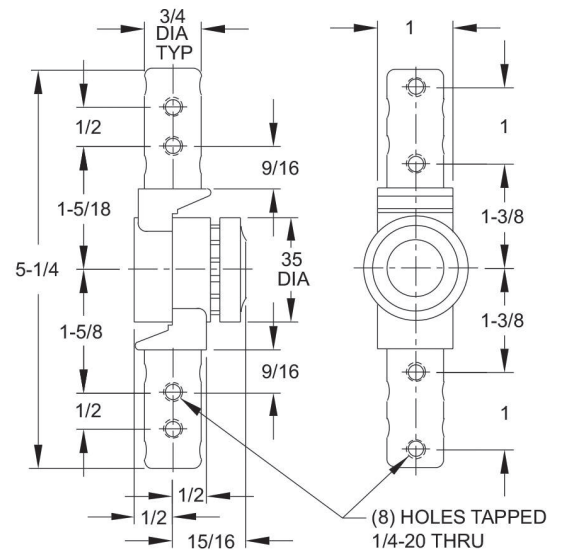
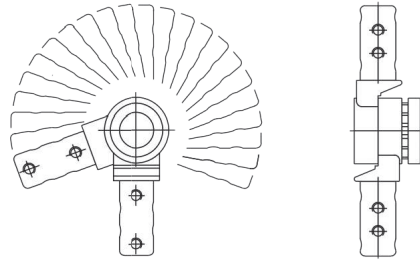
When the release button is pressed, against spring force, push pins force the locking pins to disengage. The hub is now free to rotate. After reaching the desired angle, releasing the button again allows the locking pins to extend back into locked position.

ADJUSTABLE LOCKING HUBS

BODY: 300-SERIES STAINLESS STEEL, ELECTRO POLISHED. PINS: 416 STAINLESS STEEL, HEAT TREATED
 RELEASE BUTTON: BLACK THERMOPLASTIC.
 US PATENT NO. 5,586, 363 AND 5,689,999. OTHER PATENTS PENDING.



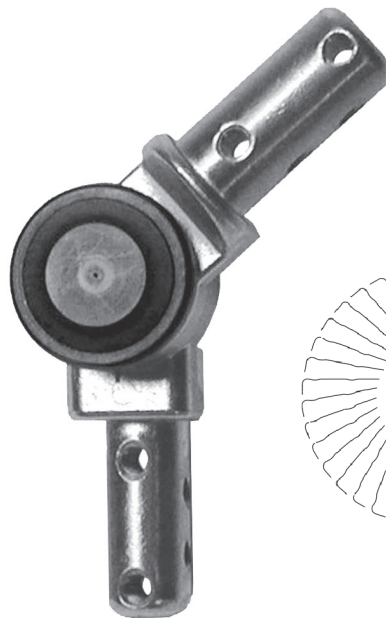
**Heavy Duty—
Stainless Steel
Two Round Ends
Inline
(220° Adjustment)**



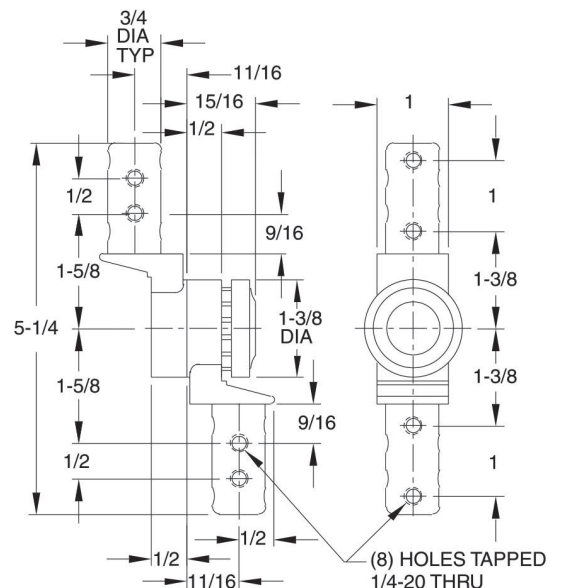
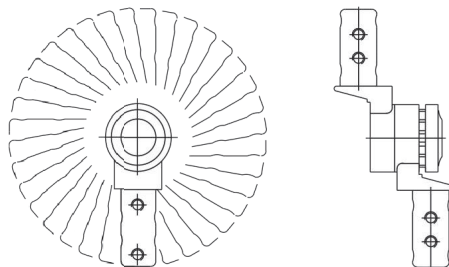
Adjustable Locking Hubs are rotary bearings that provide positive locking at any 10° increment. Once locked, the hub becomes an absolutely rigid joint, able to withstand 80 ft.-lbs. of torque (5:1 safety factor). Round Hub extensions fit 3/4" ID pipe or tubing. The tapped mounting holes can also be used to attach a plate or angle. Applications include adjustable fixtures, rotating fixtures, welding fixtures, trunnion mounting, adjustable and/or foldable handles, adjustable part trays and shelves, adjustable and/or flip-up work surfaces, positive positioning of spotlights or nozzles, and collapsible structures. Also available in alloy steel with a black finish (CL-100-ALH).

INLINE (220° ADJUSTMENT)

PART NO.	TOTAL ADJUSTMENT RANGE	ADJUSTMENT INCREMENTS	ALLOWABLE TORQUE (FT-LB)
CL-100-ALH-S	220°	10°	80



**Heavy Duty—
Stainless Steel
Two Round Ends
Offset
(360° Rotation)**



Similar to the Locking Hub above, except hub extensions are offset to allow full 360° rotation. Offset Locking Hubs should usually be used in pairs, to avoid off-center loading on a single hub. Make sure that rotating loads are balanced and avoid any possible pinch points, in case hubs are suddenly unlocked and the load is allowed to rotate freely.

OFFSET (360° ROTATION)

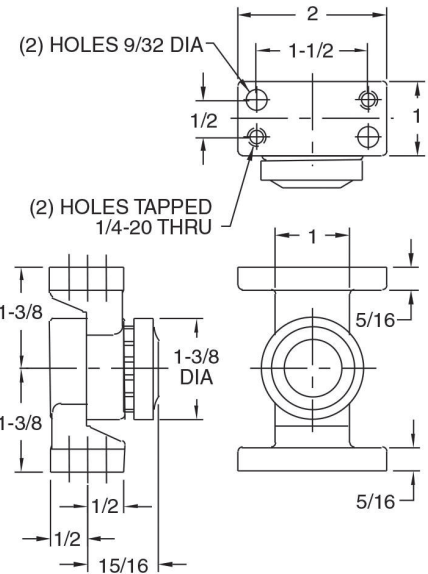
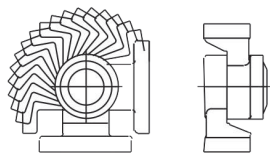
PART NO.	TOTAL ADJUSTMENT RANGE	ADJUSTMENT INCREMENTS	ALLOWABLE TORQUE (FT-LB)
CL-101-ALH-S	360°	10°	80

ADJUSTABLE LOCKING HUBS

BODY: 300-SERIES STAINLESS STEEL, ELECTRO POLISHED. PINS: 416 STAINLESS STEEL, HEAT TREATED
 RELEASE BUTTON: BLACK THERMOPLASTIC.
 US PATENT NO. 5,586, 363 AND 5,689,999. OTHER PATENTS PENDING.



**Heavy Duty—
 Stainless Steel
 Two Mounting Flanges
 Inline
 (180° Adjustment)**

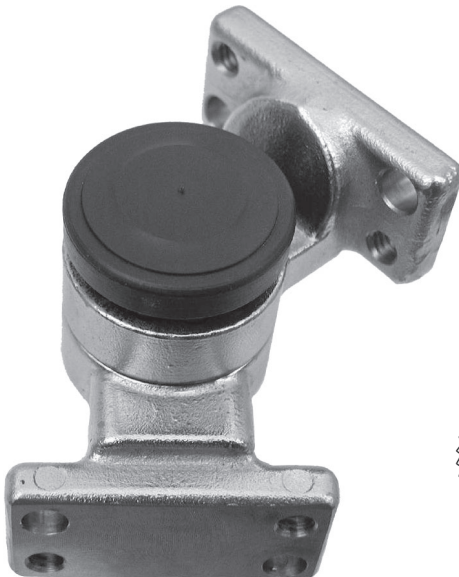


Adjustable Locking Hubs are rotary bearings that provide positive locking at any 10° increment. Once locked, the hub becomes an absolutely rigid joint, able to withstand 80 ft.-lbs. of torque (5:1 safety factor). Mounting flanges provide two mounting options: (1) two 1/4-20 tapped holes allow fastening an object to the mounting flange; (2) two 9/32 dia clearance holes for 1/4" screws allow fastening the mounting flange to a surface. Applications include adjustable fixtures, rotating fixtures, welding fixtures, trunnion mounting, adjustable and/or foldable handles, adjustable part trays and shelves, adjustable and/or flip-up work surfaces, positive positioning of spotlights or nozzles, and collapsible structures.

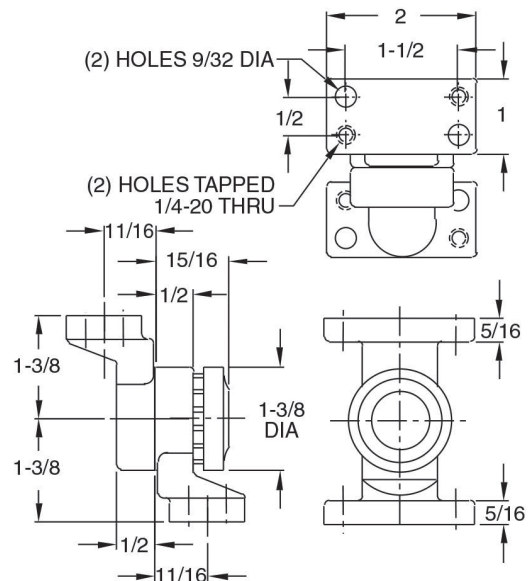
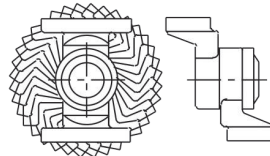
INLINE (180° ADJUSTMENT)

PART NO.	TOTAL ADJUSTMENT RANGE	ADJUSTMENT INCREMENTS	ALLOWABLE TORQUE (FT-LB)
CL-120-ALH-S	180°	10°	80

9



**Heavy Duty—
 Stainless Steel
 Two Mounting Flanges
 Offset
 (360° Rotation)**



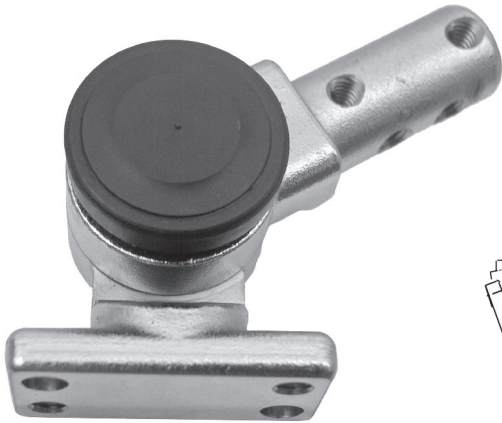
OFFSET (360° ROTATION)

PART NO.	TOTAL ADJUSTMENT RANGE	ADJUSTMENT INCREMENTS	ALLOWABLE TORQUE (FT-LB)
CL-121-ALH-S	360°	10°	80

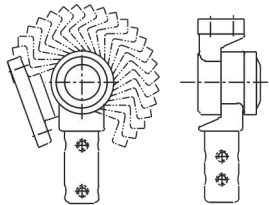
Similar to the Locking Hub above, except hub extensions are offset to allow full 360° rotation. Offset Locking Hubs should usually be used in pairs, to avoid off-center loading on a single hub. Make sure that rotating loads are balanced and avoid any possible pinch points, in case hubs are suddenly unlocked and the load is allowed to rotate freely.

ADJUSTABLE LOCKING HUBS

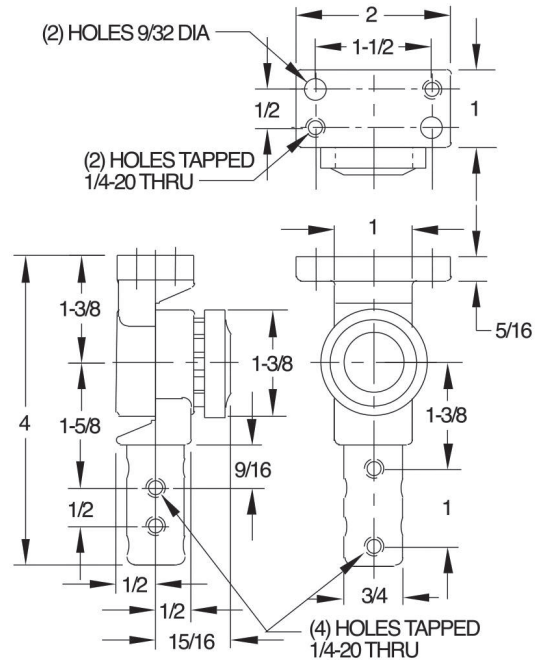
BODY: 300-SERIES STAINLESS STEEL, ELECTRO POLISHED. PINS: 416 STAINLESS STEEL, HEAT TREATED
 RELEASE BUTTON: BLACK THERMOPLASTIC.
 US PATENT NO. 5,586,363 AND 5,689,999. OTHER PATENTS PENDING.



**Heavy Duty—
Stainless Steel
Mounting Flange &
Round End Inline
(220° Adjustment)**

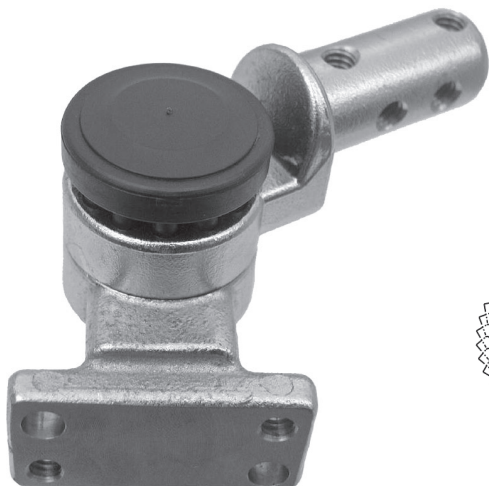


Adjustable Locking Hubs are rotary bearings that provide positive locking at any 10° increment. Once locked, the hub becomes an absolutely rigid joint, able to withstand 80 ft.-lbs. of torque (5:1 safety factor). The round hub extension fits 3/4" ID pipe or tubing. The tapped mounting holes can also be used to attach a plate or angle. The mounting flange provides two mounting options: (1) two 1/4-20 tapped holes allow fastening an object to the mounting flange; (2) two 9/32 dia clearance holes for 1/4" screws allow fastening the mounting flange to a surface. Applications include adjustable fixtures, rotating fixtures, welding fixtures, trunnion mounting, adjustable and/or foldable handles, adjustable part trays and shelves, adjustable and/or flip-up work surfaces, positive positioning of spotlights or nozzles, and collapsible structures.

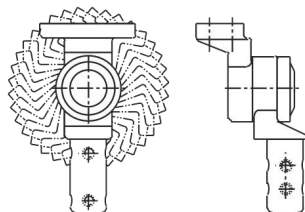


INLINE (220° ADJUSTMENT)

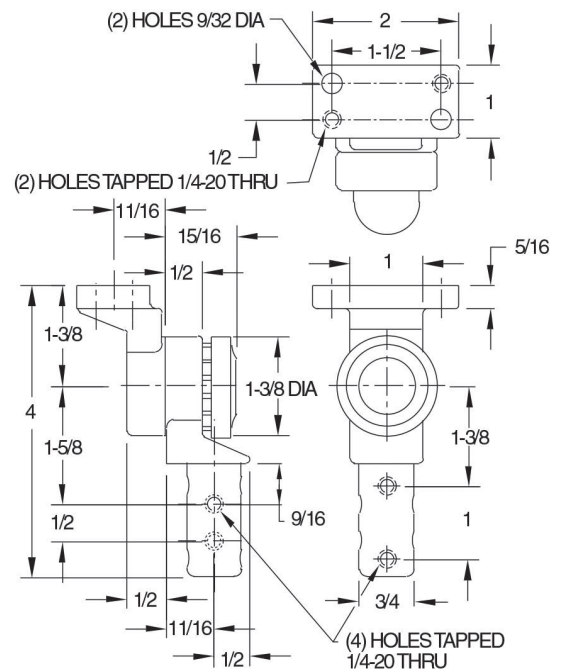
PART NO.	TOTAL ADJUSTMENT RANGE	ADJUSTMENT INCREMENTS	ALLOWABLE TORQUE (FT-LB)
CL-110-ALH-S	220°	10°	80



**Heavy Duty—
Stainless Steel
Mounting Flange &
Round End Offset
(360° Rotation)**



Similar to the Locking Hub above, except hub extensions are offset to allow full 360° rotation. Offset Locking Hubs should usually be used in pairs, to avoid off-center loading on a single hub. Make sure that rotating loads are balanced and avoid any possible pinch points, in case hubs are suddenly unlocked and the load is allowed to rotate freely.



OFFSET (360° ROTATION)

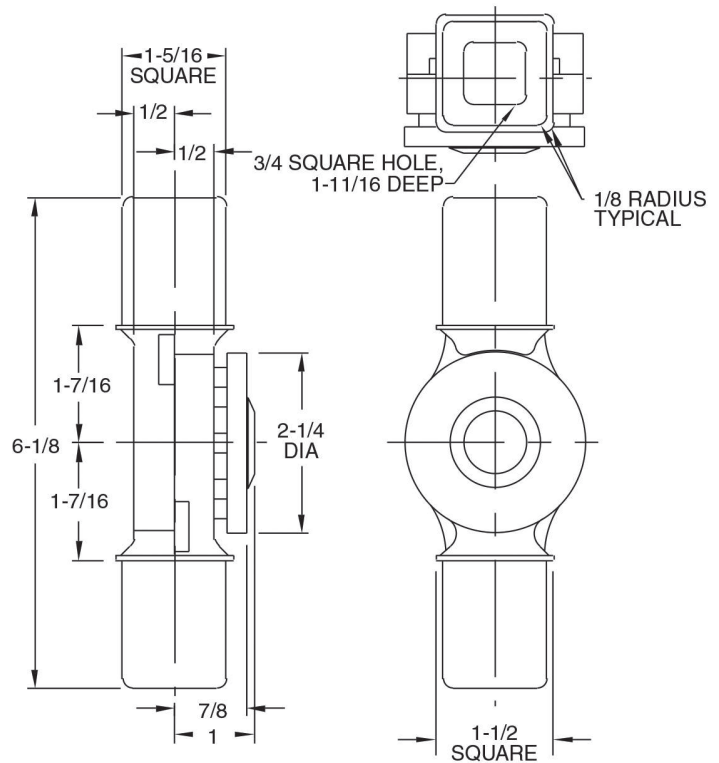
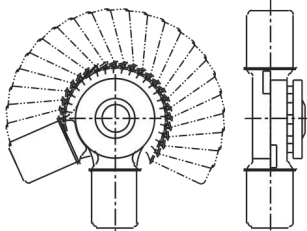
PART NO.	TOTAL ADJUSTMENT RANGE	ADJUSTMENT INCREMENTS	ALLOWABLE TORQUE (FT-LB)
CL-111-ALH-S	360°	10°	80

ADJUSTABLE LOCKING HUBS

BLACK THERMOPLASTIC (DUPONT ZYTEL™).
 US PATENT NO. 5,586, 363 AND 5,689,999. OTHER PATENTS PENDING.



**Medium Duty—
 Thermoplastic
 Two Square Ends
 Inline
 (220° Adjustment)**



9

Economical-yet-rugged Locking Hub made of tough black thermoplastic. These Adjustable Locking Hubs are rotary bearings that provide positive locking at any 10° increment. Once locked, the hub becomes an absolutely rigid joint, able to withstand 33 ft.-lbs. of torque (5:1 safety factor). The square hub extensions fit 1-1/2" O.D. square tubing externally, or 3/4" O.D. square tubing or barstock internally. Hub extensions are sturdy, and can be easily modified to attach to flat surfaces. Applications include adjustable fixtures, rotating fixtures, trunnion mounting, adjustable and/or foldable handles, adjustable part trays and shelves, adjustable and/or flip-up work surfaces, positive positioning of spotlights or nozzles, and collapsible structures.

INLINE (220° ADJUSTMENT)

PART NO.	TOTAL ADJUSTMENT RANGE	ADJUSTMENT INCREMENTS	ALLOWABLE TORQUE (FT-LB)
CL-40-ALH-B	220°	10°	33

MODULAR FIXTURING



**Modular Tooling Plates
& Blocks**



**Mounting
Accessories**



**Modular Supports
& Locators**



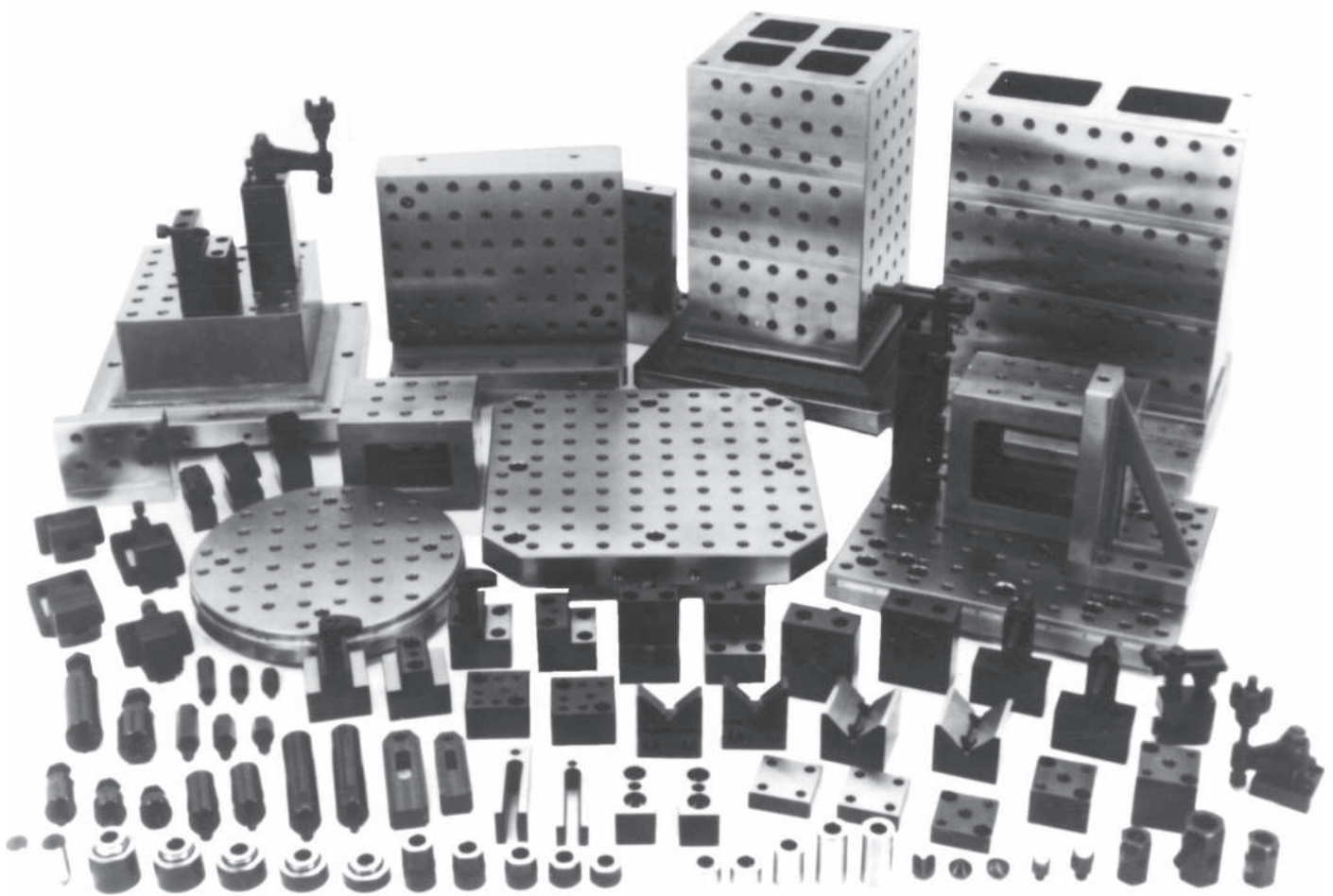
Modular Clamps

Also see:



**Drop Zero Modular
Zero-Point System
pp. 672-675**

INTRODUCTION



10

WHAT EXACTLY IS MODULAR FIXTURING?

In many ways modular fixturing is just like permanent fixturing, except for a few key differences. First, modular fixtures can be assembled entirely from reusable off-the-shelf components, without machining. Next, many modular components are adjustable and universal. Finally, specially designed tooling plates and blocks, with a standard grid pattern, are the foundation of a good modular system.

A VALUABLE TOOL FOR EVERY MACHINE SHOP:

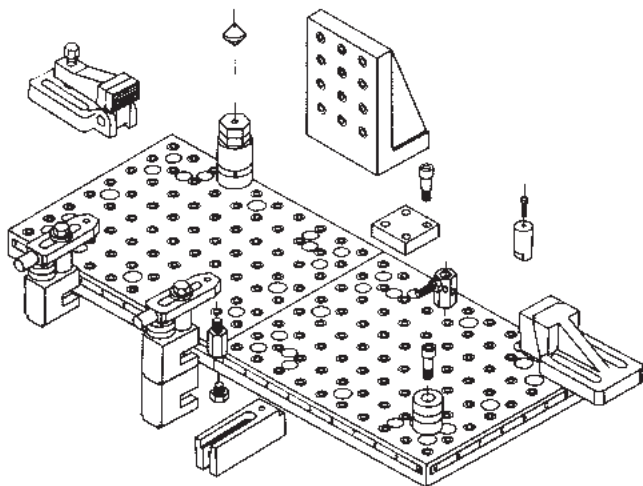
Most metal-machining manufacturers have good applications for temporary fixturing every day! The leadtime and expense required to build a permanent fixture are often difficult to justify. This is especially true when production runs are small and do not repeat on a regular basis. General-purpose workholders — such as vises, chucks, and table mounted clamps — can be ready for production on short notice, but they are primarily suited for short runs of basic parts. Fortunately, there is now another alternative: modular fixturing. When a company adds modular fixturing to its options, even job-shop-type production can benefit from quality fixturing.

GOOD APPLICATIONS FOR MODULAR FIXTURING:

Modular fixturing is an ideal answer to many workholding problems. One-time jobs, found especially in job shops, are ideal for modular fixturing; with modular fixturing, a workholder can be economically built even for a one-part run. Jobs that do not repeat on a regular basis are well suited to modular fixturing; modular fixturing permits rapid setup of short-notice production runs. Modular fixturing is also ideal for prototype parts; since prototypes are often changed or redesigned, the cost of building a permanent fixture for each new variation would be prohibitive. Replacement parts are another perfect application; modular fixturing allows a company to respond to orders as they are received, instead of shipping parts from an inventory. Trial fixturing is also an excellent application; modular workholders allow a designer to fine tune tooling ideas before a final production workholder is built. Finally, modular fixturing is valuable while permanent fixtures are built or repaired.

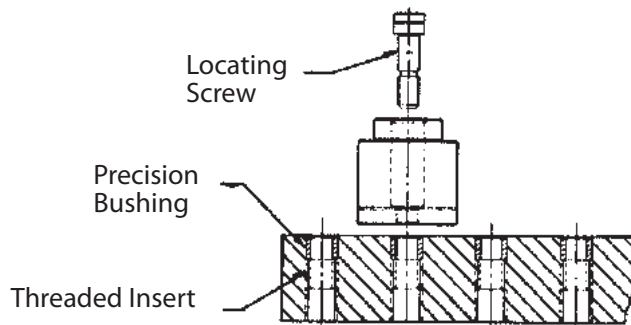
WIDE SELECTION OF TOOLING PLATES & BLOCKS:

Tooling plates and blocks are the main structural elements of any modular-fixturing system. The type, style, and number of plates and blocks available determine the variety of fixtures that can be built, and also the number of machine tools that can be used.



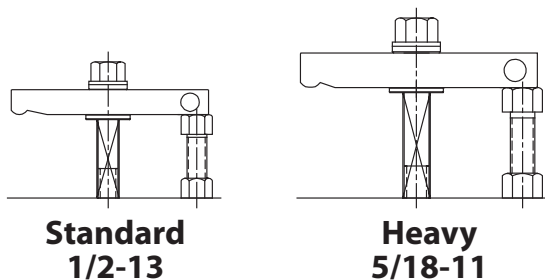
GRID HOLES VS. EARLIER T-SLOT SYSTEMS:

The two primary forms of modular systems available today are those with grid-pattern holes and earlier types with T slots to mount components. Grid holes offer many advantages over T slots. Modular systems with grid holes have greater positional accuracy and strength than those with T slots. T-slot systems permit movement along the slot, so nothing but friction holds components in place. Wherever T slots cross each other, a weak point exists.



MULTIPURPOSE GRID HOLES OFFER MAXIMUM FLEXIBILITY:

Grid-pattern modular-fixturing systems come in two styles: those with alternating dowel holes and tapped holes and those with multipurpose holes. The alternating-hole style does not offer as many advantages as the Carr Lane Manufacturing multipurpose-hole style. Multipurpose holes have both an alignment bushing and threaded insert in the same hole. This arrangement permits each hole to serve as an alignment hole, mounting hole, or both. Multipurpose holes are laid out in a standard 1" or 2" grid pattern (depending on the size) to allow the maximum number of mounting locations.



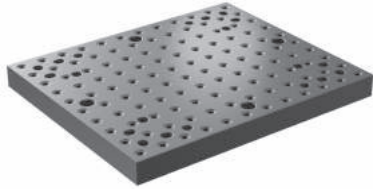
CHOICE OF TWO SYSTEM SIZES:

A good modular-fixturing system needs to accommodate a wide range of workpiece sizes. Only Carr Lane Manufacturing offers a full line of modular components in three system sizes. As a comparison to choose the proper system size, the table below shows typical clamping force exerted by clamp straps in each size (2-to-1 lever ratio).

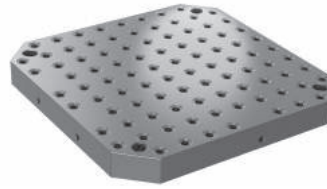
SIZE	STUD SIZE	RECOMMENDED TORQUE (FT-LBS)	CLAMPING FORCE (LBS)
STANDARD	1/2-13	38	2300
HEAVY	5/8-11	77	3700

PICTORIAL INDEX

MODULAR TOOLING PLATES & BLOCKS



pp. 424



Square Pallet
p. 425



Two-Sided Blocks
p. 426



Four-Sided
Blocks
p. 427

10

MODULAR MOUNTING ACCESSORIES



Locating Screws
and Bushings
p. 428



Socket-Head
Cap Screws
p. 428



Hex-Head Cap
Screws
p. 428



Locating
Gages
p. 429



Locating
Pins
p. 429



Protection
Plugs
p. 429

MODULAR SUPPORTS & LOCATORS



Support Cylinders
p. 430



Support Cylinders
pp. 431



Screw Rest Pads
p. 432



Support Riser Blocks
p. 432



Halfway Extension Supports
p. 433



Extension Supports
p. 433



Stop-Spring-Button Adaptors
p. 434



Horizontal V Blocks
p. 435



Vertical V Blocks
p. 436



Height Shims
p. 436



Manual Work Supports
p. 437



Knurled Screw Jacks
p. 437



Screw Jacks
pp. 437-438



Torque Screw Jacks
p. 438

MODULAR CLAMPS



Forged Adjustable Clamps
p. 439



Slotted-Heel Clamp Straps
p. 440



Double-End Clamp Straps
p. 441



High-Rise Clamps
pp. 442-443



Hook Clamps
p. 444



Up-Thrust Clamps
p. 447



Cam Edge Clamps
p. 447



Serrated Adjustable Clamps
pp. 448-449

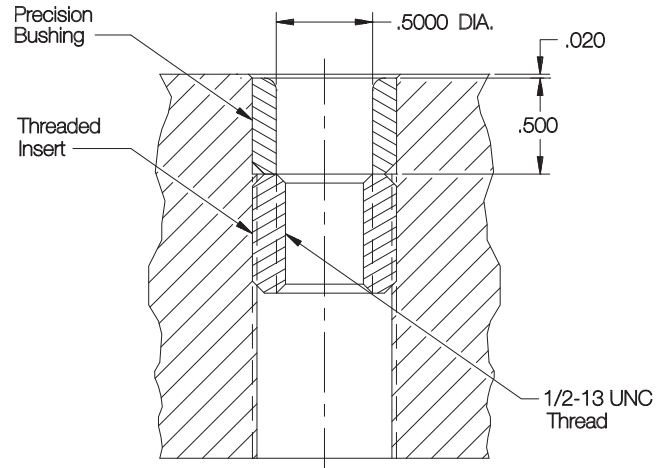
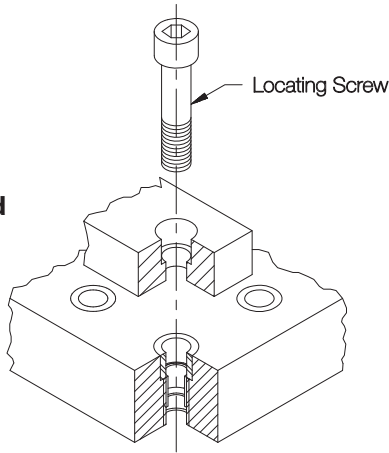


Pivoting Edge Clamps
p. 450

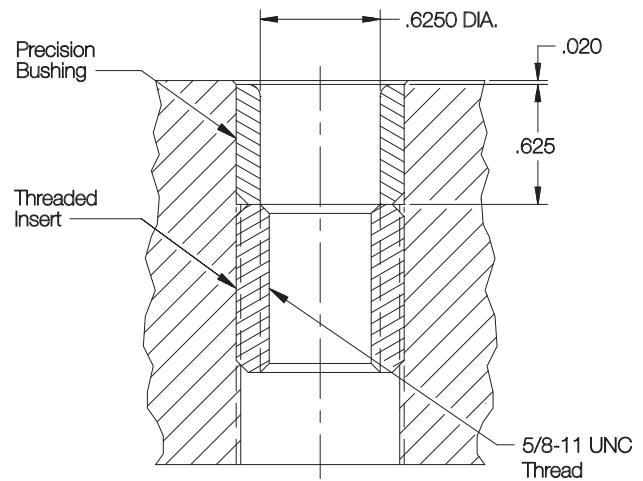
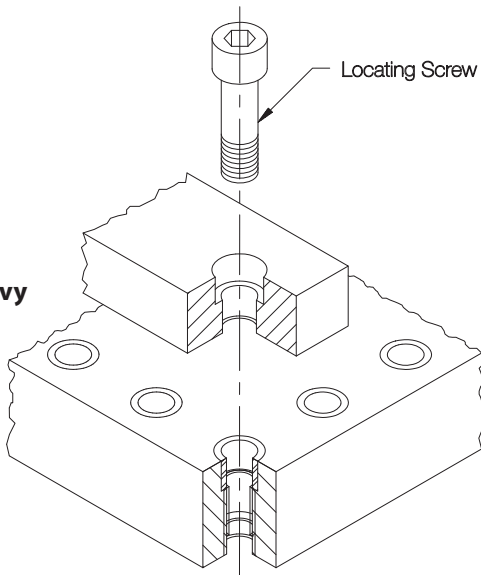
TECHNICAL INFORMATION

MULTIPURPOSE HOLES

Standard

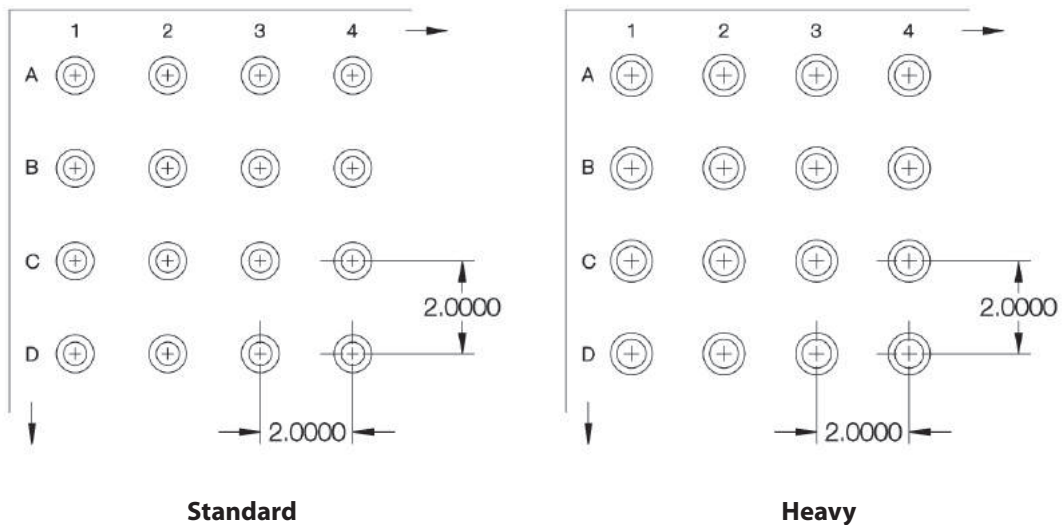


Heavy



Every multipurpose hole on a tooling plate or block has a precision alignment bushing on top, with a threaded insert below it. Multipurpose holes will accept Locating Screws, Socket-Head Cap Screws, studs, and many other threaded components. The proper mounting screw for each component is listed in its table of dimensions. Locating Screws are used to locate and fasten at the same time.

GRID ADDRESS SYSTEM



The grid pattern of multipurpose holes on every tooling plate and tooling block face is labelled with letters in one direction and numbers in the perpendicular direction. Tooling-block faces are numbered (counterclockwise) with Roman numerals. This allows recording the mounting-hole location of each component (e.g., A2, B3, D7, etc.) as part of permanent documentation. Multipurpose holes are spaced within $\pm.0008$ inches of true position on all tooling plates and blocks.

CUSTOM TOOLING PLATES

To build your own custom tooling plates with multipurpose mounting holes, we offer precision bushings and threaded inserts separately. See hole locations and tolerances above (holes must be jig bored), and (INFO+) page 420 for proper counterbore depth to install bushings. The threaded insert's locking keys can be driven down by the bushing as it is pressed into the tooling plate.



Precision Bushing



Key Insert

PRECISION BUSHINGS

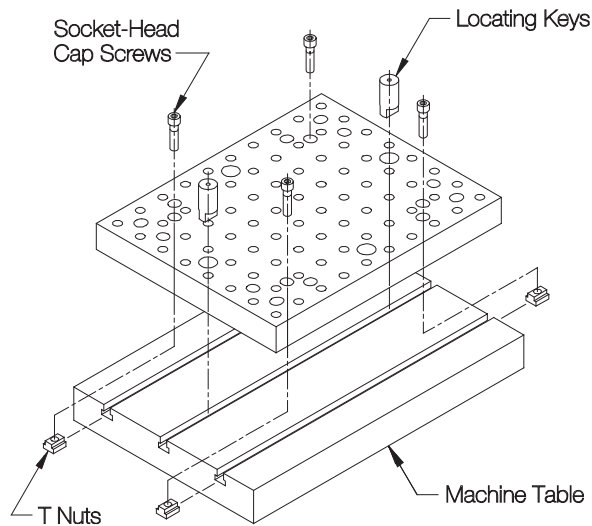
SIZE	PART NO.	ID	OD	LENGTH
STANDARD	CL-MF40-0101-02	.5006/.5013	.8122/.8119	.500
HEAVY	CL-MF50-0101-02	.6256/.6263	.9060/.9056	.625

KEY INSERTS

SIZE	PART NO.	ID	OD	LENGTH
STANDARD	CL-1213-KS	1/2-13	3/4-16	5/8
HEAVY	CL-5811-KS	5/8-11	7/8-14	7/8

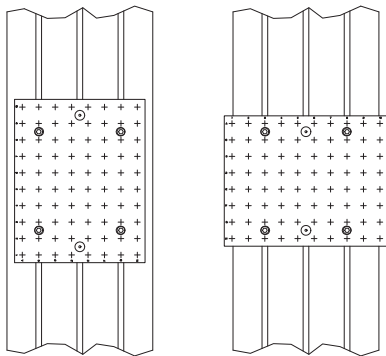
TECHNICAL INFORMATION

MOUNTING TOOLING PLATES ON T-SLOTTED TABLES

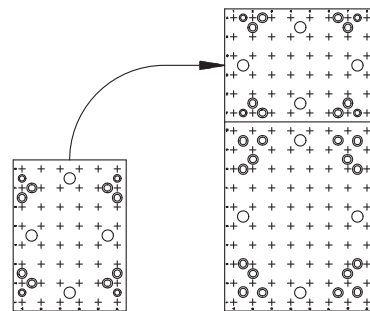


Standard and Heavy

Standard and heavy Rectangular Tooling Plates are accurately located on T-slotted tables using two Locating Keys (**INFO+** page 257) in the center table slot. These plates are fastened to the machine table using four or six Socket-Head Cap Screws (**INFO+** page 428) and T Nuts (**INFO+** page 320). Swivel Hoist Rings are recommended for lifting large tooling plates (**INFO+** page 75).

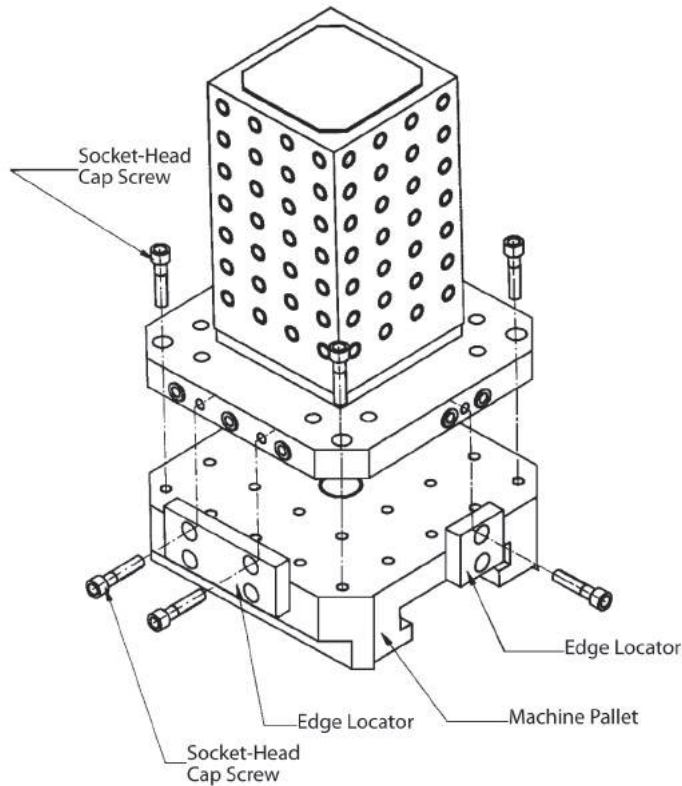


Two sets of Locating-Key holes allow mounting plates either lengthwise or widthwise on a machine table.



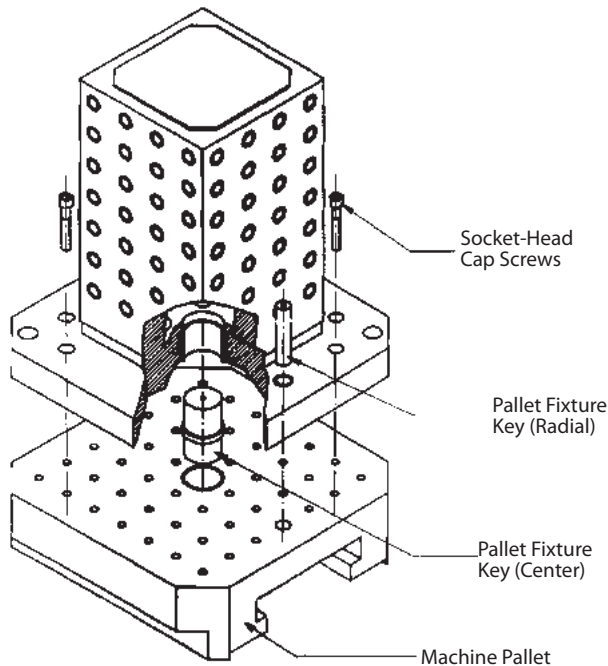
The length of each Rectangular Tooling Plate is the same as the width of the next-larger size, allowing many possible combinations by turning plates 90°.

MOUNTING TOOLING PLATES & BLOCKS ON PALLETS



JIS Mounting

JIS-type mounting is the most common way to mount tooling plates and blocks on a machining-center pallet. Here the plate or block is located from two precisely ground reference edges at 90° to each other. The plate or block is pulled against the pallet's edge locators using three Socket-Head Cap Screws (**INFO+** page 428) and also fastened down with four to eight Socket-Head Cap Screws, depending on the size. Swivel Hoist Rings are recommended for lifting tooling blocks and large tooling plates (**INFO+** page 76-83).



DIN Mounting

Most of our modular tooling plates and blocks also incorporate DIN-mounting capability. Here the plate or block is located using a center hole, and oriented using a radial hole. Two Pallet Fixture Keys, a center pin and a radial pin, are required (**INFO+** page 258). The plate or block is fastened down with four to eight Socket-Head Cap Screws, depending on the size.

PALLET SIZE	PALLET CENTER-HOLE DIA	PALLET RADIAL-HOLE DIA	DISTANCE BETWEEN CENTER AND RADIAL HOLES
320mm	50mm	20mm	100mm
400mm			150mm
500mm	50mm	25mm	200mm
630mm			200mm
800mm			300mm

RECTANGULAR TOOLING PLATES

GRAY CAST IRON, ASTM CLASS 45

16x20



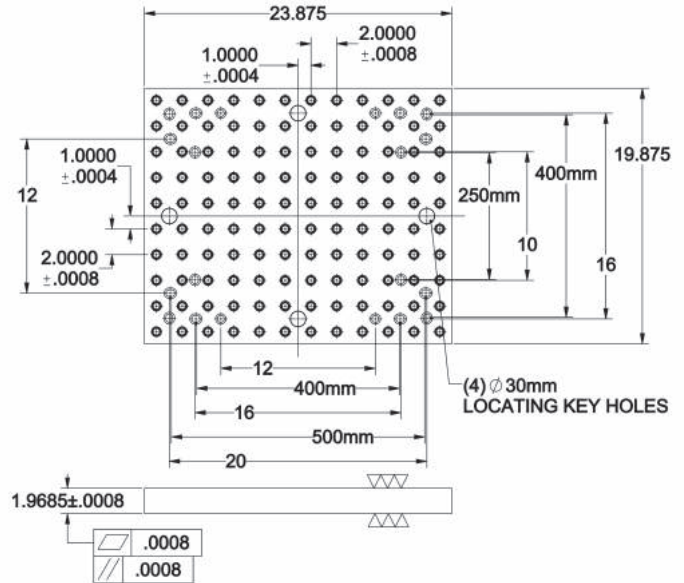
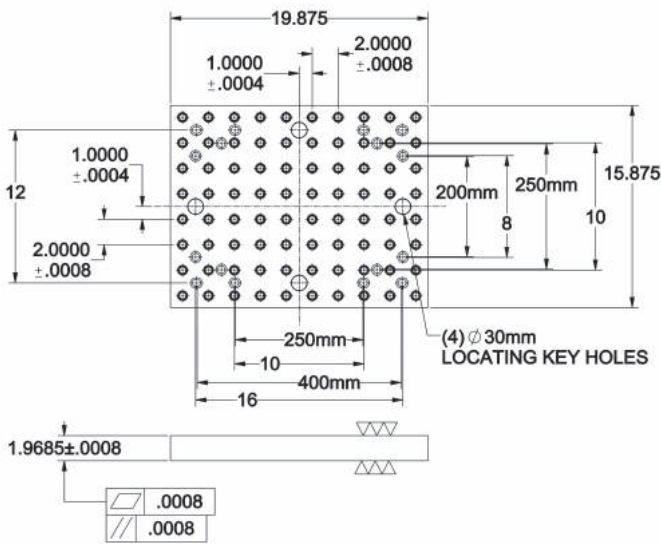
Standard 1/2"

20x24



Standard 1/2"

Ideal tooling plate for most milling machines. Finish ground to tight tolerances, with all multipurpose holes located within .0008 inches of true position. Available in a full range of standard fixture sizes, with mounting holes to fit almost any inch or metric slot spacing. **INFO+** See page 422 for mounting information. Plates can be accurately connected to create many length and width combinations. **INFO+** Also available as blanks, without multipurpose holes (page 398).



SIZE	PART NO.	MULTIPURPOSE HOLES				PLATE WIDTH		PLATE LENGTH		MOUNTING SCREWS	NO. OF MOUNTING SCREWS REQUIRED	APPROX WEIGHT (LBS)
		THREAD	ID	SPACING	PATTERN	NOMINAL	ACTUAL	NOMINAL	ACTUAL			
STANDARD	CL-1620-RTPM-40	1/2-13	.5000	2.0000	8x10	16	15.875	20	19.875	1/2-13 or M12	4	160
	CL-2024-RTPM-40				10x12	20	19.875	24	23.875			238

SQUARE PALLET TOOLING PLATES

GRAY CAST IRON, ASTM CLASS 45

400mm



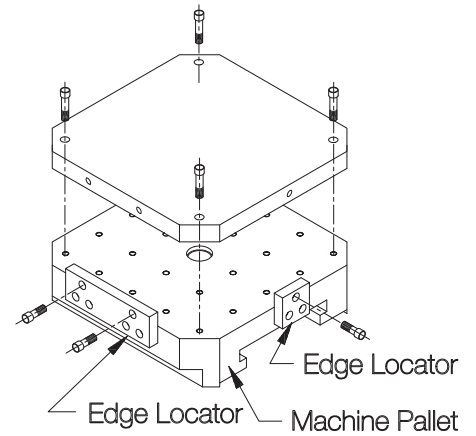
Heavy 5/8"

500mm

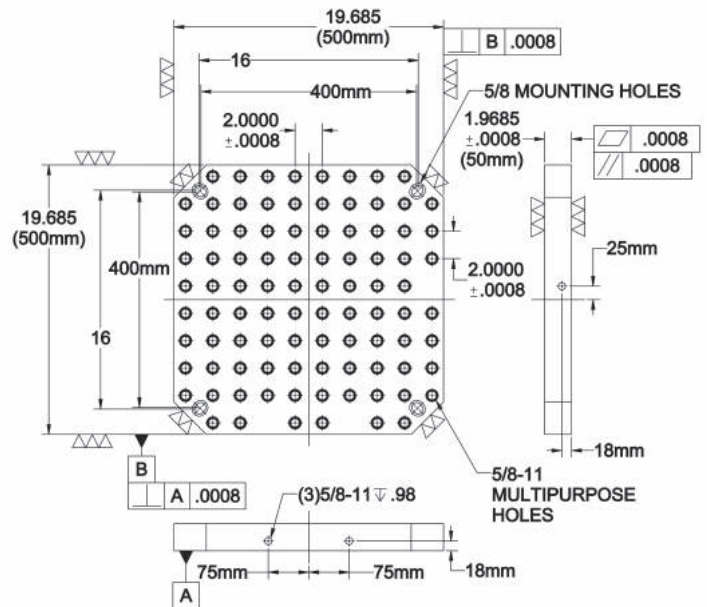
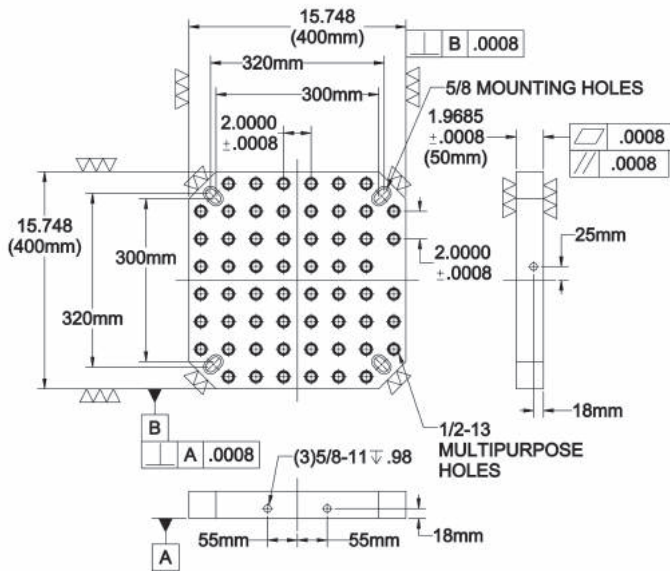


Heavy 5/8"

Ideal tooling plate for horizontal-machining-center pallets. Finish machined to tight tolerances. Available in a full range of standard pallet sizes, with mounting holes to fit almost any inch or metric slot spacing. JIS mounting from two reference edges provides accurate location. **INFO+**: See page 422 for mounting information. **INFO+**: Also available as blanks, without multipurpose holes (page 399).



JIS Mounting



SIZE	PART NO.	MULTIPURPOSE HOLES				PALLET SIZE	PLATE THICKNESS	APPROX. WEIGHT (LBS)
		THREAD	ID	SPACING	PATTERN			
HEAVY	CL-400-PTPM-50	5/8-11	.6250	2.0000	10x10	400mm	50mm	175
	CL-500-PTPM-50				12x12			280

TWO-SIDED TOOLING BLOCKS

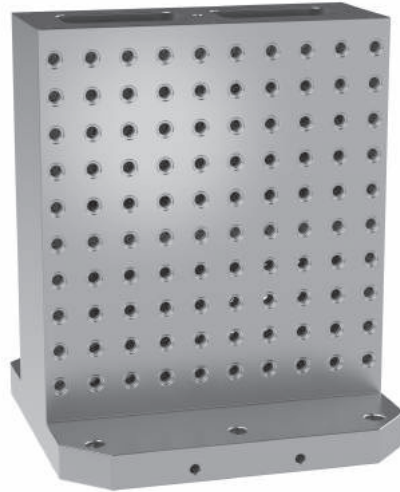
GRAY CAST IRON, ASTM CLASS 45

500mm

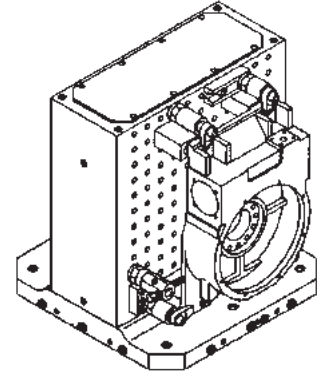
400mm



Standard 1/2"



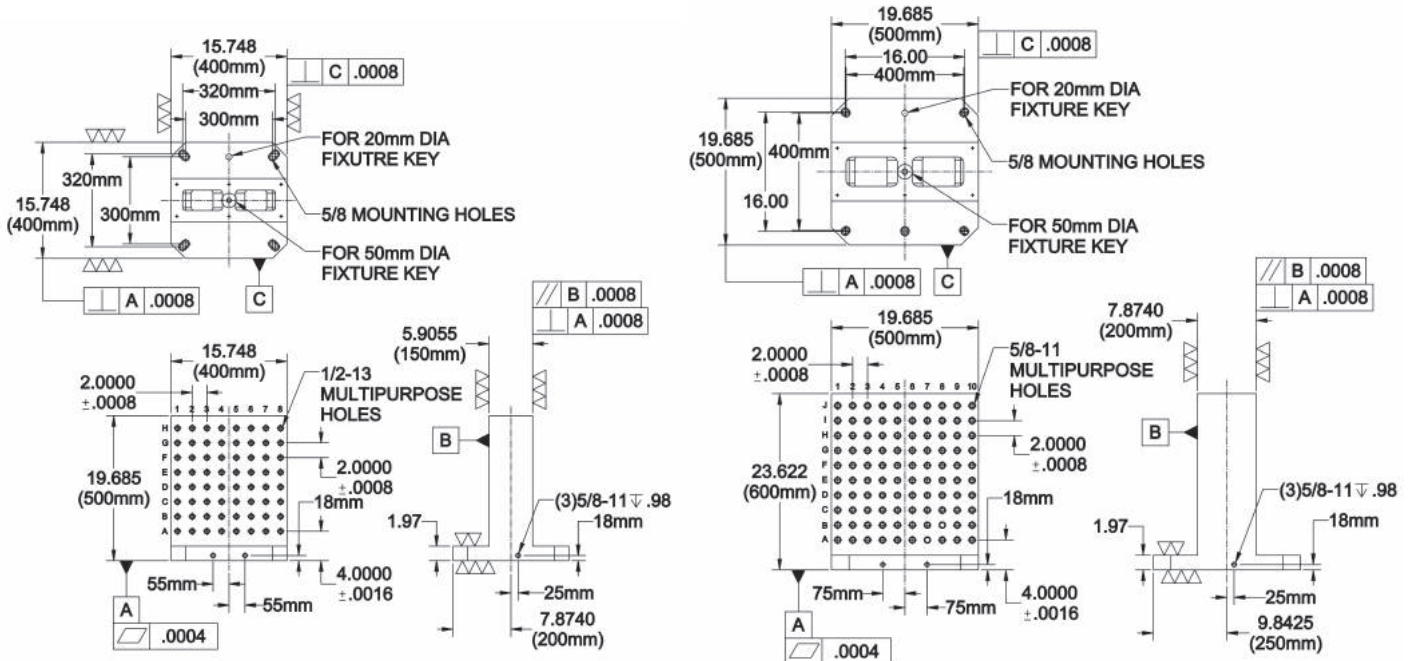
Heavy 5/8"



These tooling blocks have two identical wide faces to allow fixturing large parts.

Precision tooling block for horizontal-machining-center pallets. Both faces are accurately finish machined to tight tolerances, and qualified to the base. All multipurpose holes are spaced within .0008 inches of true position (.0004 for mini). One-piece cast construction provides superior accuracy, dimensional stability, and vibration dampening. Available in a full range of standard pallet sizes, with mounting holes to fit almost any inch or metric slot spacing. Dual mounting capability allows both JIS mounting (locating from two reference edges) and DIN mounting (locating from center and radial holes) with excellent accuracy. **INFO+**: See page 422 for mounting information. Also available as blanks, without multipurpose holes.

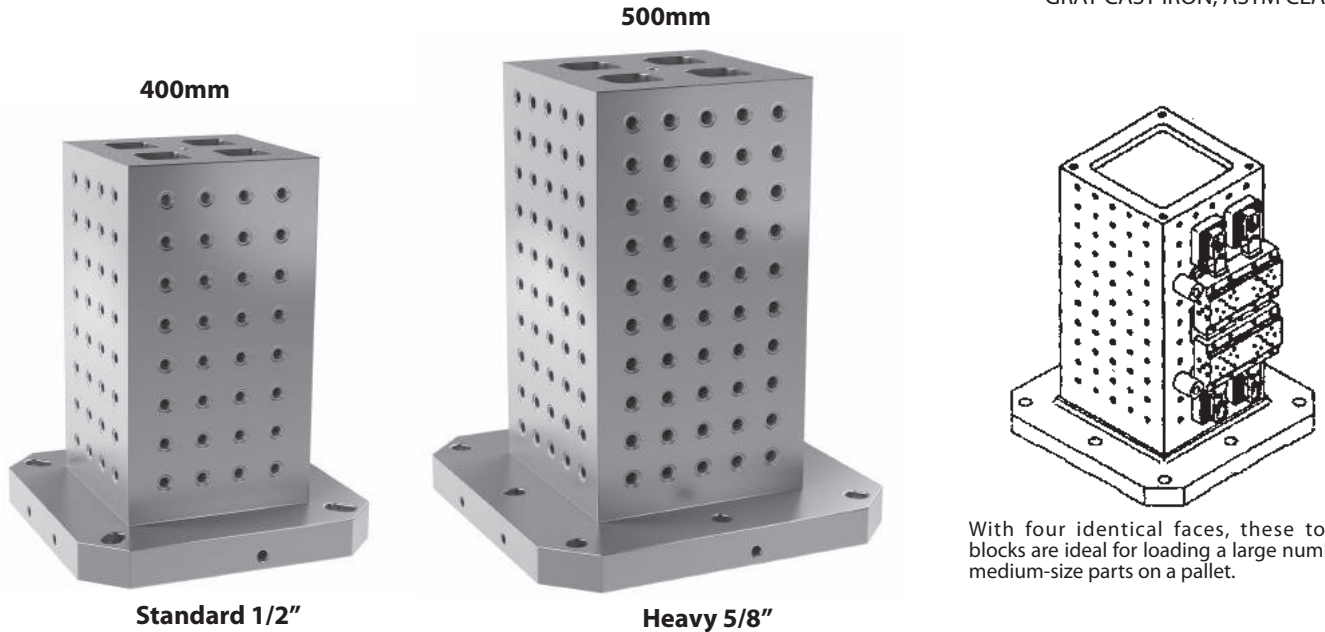
10



SIZE	PART NO.	MULTIPURPOSE HOLES				PALLET SIZE	APPROX. WEIGHT (LBS)
		THREAD	ID	SPACING	PATTERN		
STANDARD	CL-400400500-TTBM-40	1/2-13	.5000	2.0000	8x8	400mm	340
HEAVY	CL-500500600-TTBM-50	5/8-11	.6250	2.0000	10x10	500mm	516

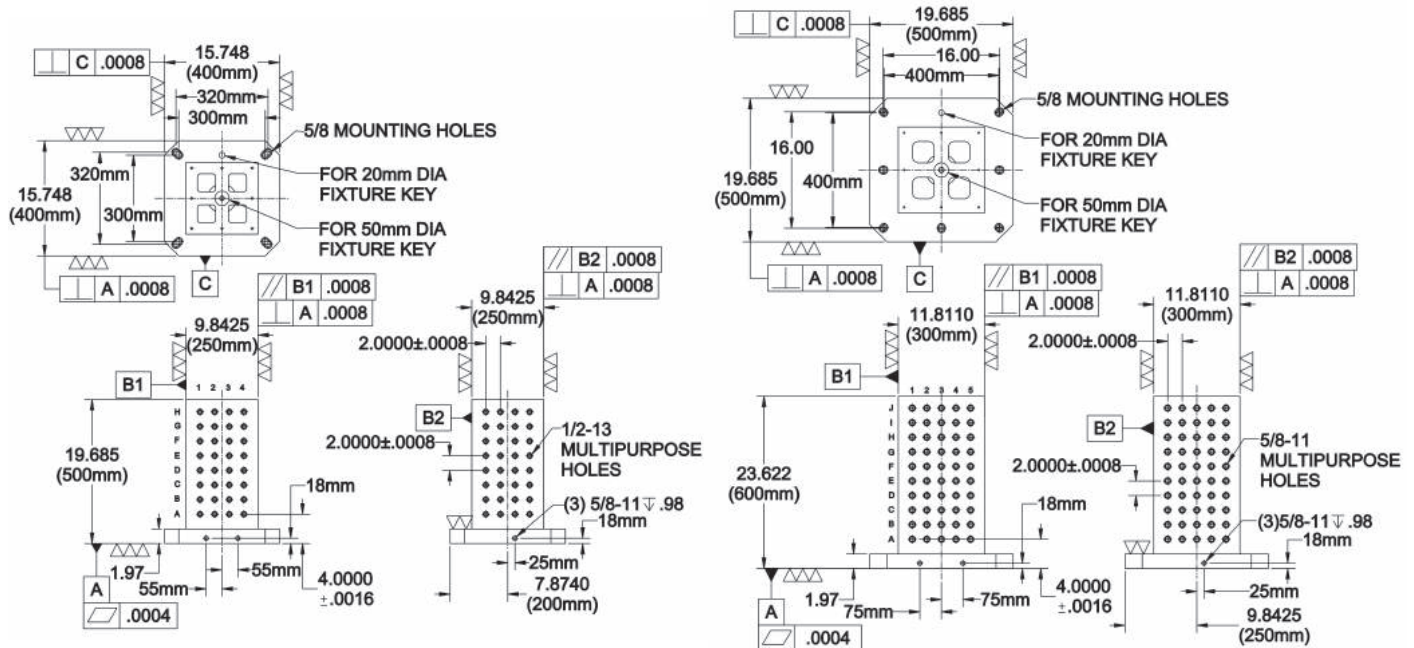
FOUR-SIDED TOOLING BLOCKS

GRAY CAST IRON, ASTM CLASS 45



With four identical faces, these tooling blocks are ideal for loading a large number of medium-size parts on a pallet.

Precision four-sided tooling block for horizontal-machining-center pallets. All four faces are accurately finish machined to tight tolerances, and qualified to the base. All multipurpose holes are spaced within .0008 inches of true position (.0004 for mini). One-piece cast construction provides superior accuracy, dimensional stability, and vibration dampening. Available in a full range of standard pallet sizes, with mounting holes to fit almost any inch or metric slot spacing. Dual mounting capability allows both JIS mounting (locating from two reference edges) and DIN mounting (locating from center and radial holes) with excellent accuracy. **INFO+**: See page 422 for mounting information. Also available as blanks, without multipurpose holes.



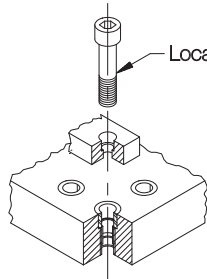
SIZE	PART NO.	MULTIPURPOSE HOLES				PALLET SIZE	APPROX. WEIGHT (LBS)
		THREAD	ID	SPACING	PATTERN		
STANDARD	CL-400250500-FTBM-40	1/2-13	.5000	2.0000	4x8	400mm	375
HEAVY	CL-500300600-FTBM-50	5/8-11	.6250	2.0000	5x10	500mm	584

LOCATING SCREWS

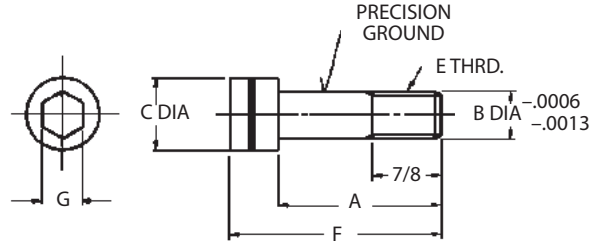
4130 STEEL, HEAT TREATED RC 33-39, BLACK OXIDE FINISH



**Standard
Heavy**



Locating Screw



Locating Screws are used to mount all locators in multipurpose grid holes. These specially designed, precision shoulder screws accurately locate and fasten at the same time.

SIZE	PART NO.	A	B DIA	C DIA	E	F	G
STANDARD	CL-MF40-4301	1-3/4	.5000	3/4	1/2-13	2-1/4	3/8
	CL-MF40-4302	2-1/4				2-3/4	
	CL-MF40-4303	2-3/4				3-1/4	
HEAVY	CL-MF50-4301	2	.6250	15/16	5/8-11	2-5/8	1/2
	CL-MF50-4302	2-1/2				3-1/8	
	CL-MF50-4303	3				3-5/8	

SOCKET-HEAD CAP SCREWS

GRADE 8, BLACK OXIDE FINISH



**Standard
Heavy**

INCH

PART NO.	THREAD SIZE	LENGTH UNDER HEAD	
CL-6-32x.50-SHCS	#6-32	.50	
CL-10-32x.50-SHCS	#10-32	.50	
CL-1/4-20x.75-SHCS	1/4-20	.75	
CL-1/2-13x1.00-SHCS	1/2-13	1.00	
CL-1/2-13x1.25-SHCS		1.25	
CL-1/2-13x1.50-SHCS		1.50	
CL-1/2-13x1.75-SHCS		1.75	
CL-1/2-13x2.00-SHCS		2.00	
CL-1/2-13x2.25-SHCS		2.25	
CL-1/2-13x2.75-SHCS		2.75	
CL-1/2-13x4.50-SHCS		4.50	
CL-5/8-11x1.00-SHCS		5/8-11	1.00
CL-5/8-11x1.25-SHCS			1.25
CL-5/8-11x1.50-SHCS	1.50		
CL-5/8-11x2.00-SHCS	2.00		
CL-5/8-11x2.25-SHCS	2.25		
CL-5/8-11x2.50-SHCS	2.50		
CL-5/8-11x3.00-SHCS	3.00		
CL-5/8-11x5.00-SHCS	5.00		

METRIC

PART NO.	THREAD SIZE	LENGTH UNDER HEAD
CLM-16x40-SHCS	M16	1.57
CLM-16x50-SHCS		1.97
CLM-16x65-SHCS		2.56

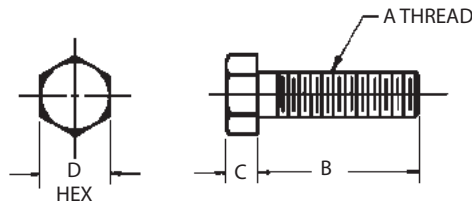
Socket-Head Cap Screws (grade 8) are used for fastening components whenever precise location is not needed. Metric sizes are used to fasten plates and blocks to machine pallets.

HEX-HEAD CAP SCREWS

GRADE 8, BLACK OXIDE FINISH



**Standard
Heavy**

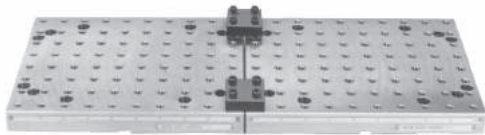


Mounting screws for high-rise clamps, where access to a socket-head screw is difficult.

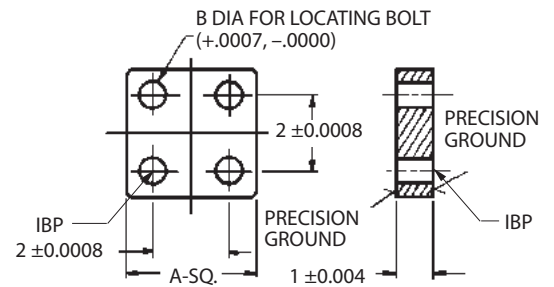
SIZE	PART NO.	A	B	C	D
STANDARD	CL-MF40-4311	1/2-13	1.75	5/16	3/4
	CL-MF40-4312		2.75		
	CL-MF0-4313		3.00		
HEAVY	CL-MF50-4311	5/8-11	1.75	25/64	15/16
	CL-MF50-4312		2.75		
	CL-MF50-4313		3.00		

LOCATING GAGES

1045 STEEL, BLACK OXIDE FINISH



Use when connecting two tooling plates, to hold tolerances. Remove after fastening plates to machine.



SIZE	PART NO.	A	B DIA	LOCATING SCREW (4 REQD)
STANDARD	CL-MF40-4001	3-1/8	.5000	CL-MF40-4302
HEAVY	CL-MF50-4001	3-3/8	.6250	CL-MF50-4302

LOCATING PINS

1144 STEEL, HEAT TREATED RC 50-55, BLACK OXIDE FINISH



Round



Diamond

Standard Heavy

Round and Diamond Locating Pins are used together to align Quick-Change Tooling Plates or vises on a modular plate or block.

ROUND

SIZE	PART NO.	HEAD DIA	SHANK DIA
STANDARD	CL-MF40-4501	.6250	.5000
HEAVY	CL-MF50-4501	.6250	.6250

DIAMOND

SIZE	PART NO.	HEAD DIA	SHANK DIA
STANDARD	CL-MF40-4601	.6250	.5000
HEAVY	CL-MF50-4601	.6250	.6250

10

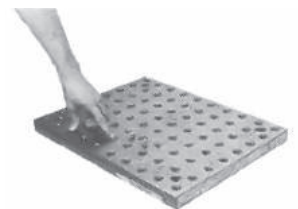
PROTECTION PLUGS

PLASTIC



Standard Heavy

Durable screw-in plugs to keep dirt and chips out of holes that are not used for a particular setup.



SIZE	PART NO.
STANDARD	CL-MF40-0001
HEAVY	CL-MF50-0001

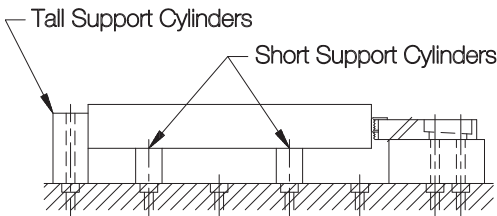
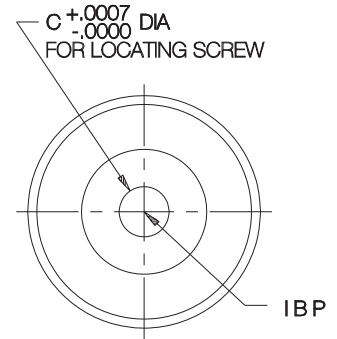
SUPPORT CYLINDERS

1045 OR 1144 STEEL, HEAT TREATED, BLACK OXIDE FINISH

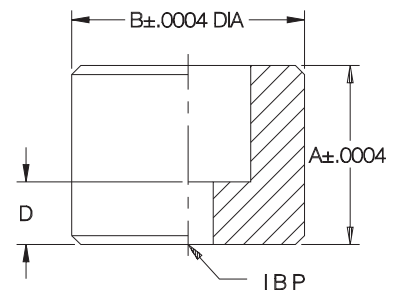


**Standard
Heavy**

Extremely versatile precision locator that can be used either as a support or for side location. Ground on top, bottom, and outside diameter. Available in many support heights to match other types of height locators.

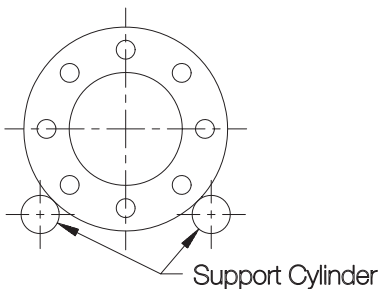


With the wide range of available heights, Support Cylinders can be used as both side locators and supports.



**Standard
Heavy**

10



Two Support Cylinders can accurately locate a large diameter, similar to using a V Block.

SIZE	PART NO.	A	B DIA	C DIA	D	LOCATING SCREW (1 REQ)
STANDARD	CL-MF40-3101	1.0000	1.6250	.5000	7/16	CL-MF40-4301
	CL-MF40-3113	1.5000				
	CL-MF40-3102	2.0000				
HEAVY	CL-MF50-3103	3.0000	2.0000	.6250	9/16	CL-MF50-4301
	CL-MF50-3113	1.5000				
	CL-MF50-3101	2.0000				
	CL-MF50-3102	3.0000			1-1/16	CL-MF50-4302
	CL-MF50-3103	4.0000				

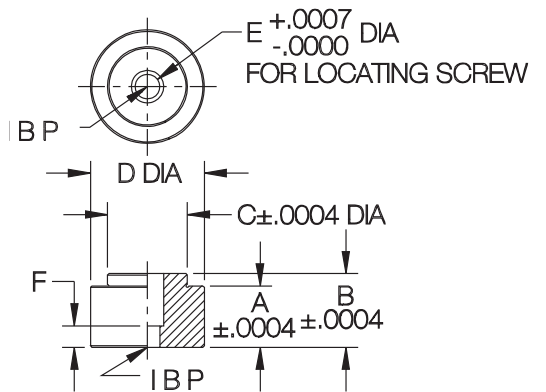
SHOULDER SUPPORT CYLINDERS

1045 OR 1144 STEEL, HEAT TREATED, BLACK OXIDE FINISH

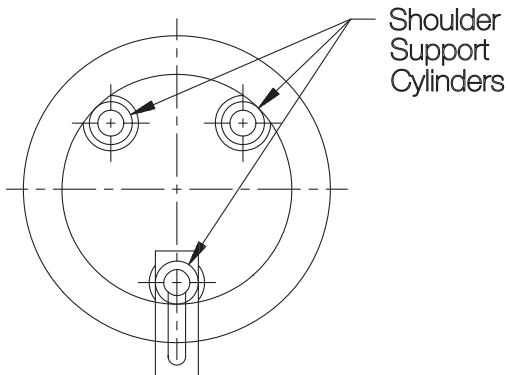


Standard
Heavy

Precision edge locator with a ground shoulder for simultaneous horizontal and vertical location. Available in many support heights to match other types of height locators. The standard (1/2") and heavy (5/8") versions are fastened with a Locating Screw (order separately).



Standard and Heavy



Shoulder Support Cylinders can be used to locate from internal edges, as well as external edges. Shown here, three of them locate a large bored diameter, one mounted on an Extension Support.

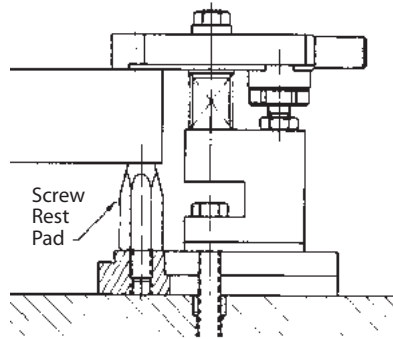
SIZE	PART NO.	A	B	C DIA	D DIA	E DIA	F	LOCATING SCREW (1 REQD)
STANDARD	CL-MF40-3201	.7500	1.0000	1.6250	2-5/16	.5000	7/16	CL-MF40-4301
	CL-MF40-3202	1.0000	1.2500					
HEAVY	CL-MF50-3201	1.0000	1.2500	2.0000	2-7/8	.6250	9/16	CL-MF50-4301
	CL-MF50-3203	1.5000	2.0000					
	CL-MF50-3204	2.0000	2.5000					

SCREW REST PADS

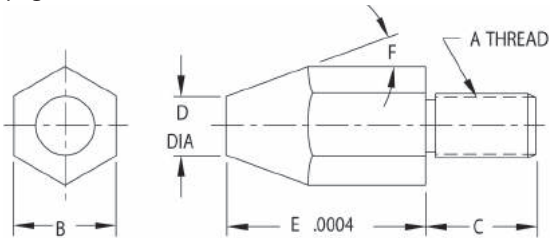
12L14 STEEL, CARBURIZED-HARDENED, BLACK OXIDE FINISH



Mini
Standard
Heavy



Precision height locator with a small contact area. Available in a wide range of heights, including very short sizes. This support can be installed in either a plain tapped hole or a multipurpose hole. **INFO+**: For metric sizes, see page 225.

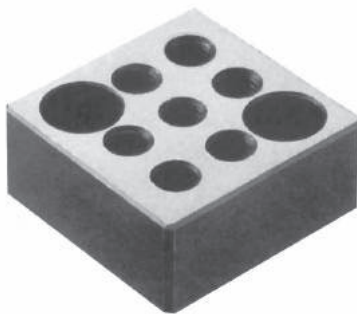


SIZE	PART NO.	A	B	C	D DIA	E	F
MINI	CL-MF25-4801	5/16-18	3/4	5/8	5/16	.2500	75°
	CL-MF25-4802					.3750	60°
	CL-MF25-4803					.5000	35°
	CL-MF25-4804					.7500	25°
	CL-MF25-4805					1.0000	20°
	CL-MF25-4806					1.2500	15°
	CL-MF25-4807					1.5000	
STANDARD	CL-MF40-4801	1/2-13	7/8	15/16	1/2	.2500	75°
	CL-MF40-4802					.3750	60°
	CL-MF40-4803					.5000	35°
	CL-MF40-4804					.7500	25°
	CL-MF40-4805					1.0000	20°
	CL-MF40-4806					1.2500	15°
	CL-MF40-4807					1.5000	
	CL-MF40-4808					2.0000	
HEAVY	CL-MF50-4801	5/8-11	1	1-1/4	5/8	.2500	75°
	CL-MF50-4802					.3750	60°
	CL-MF50-4803					.5000	35°
	CL-MF50-4804					.7500	25°
	CL-MF50-4805					1.0000	20°
	CL-MF50-4806					1.2500	15°
	CL-MF50-4807					1.5000	
	CL-MF50-4808					2.0000	

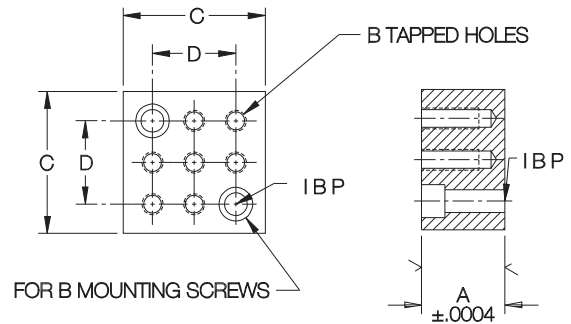
SUPPORT RISER BLOCKS

1045 STEEL, BLACK OXIDE FINISH

10



Standard
Heavy

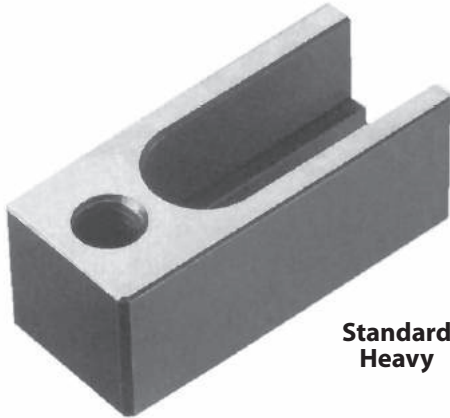


Stackable block with precision ground top and bottom surfaces for accurate height location. Ideal for raising supports up to a workpiece. A choice of seven tapped holes allows mounting the support at any position between grid points.

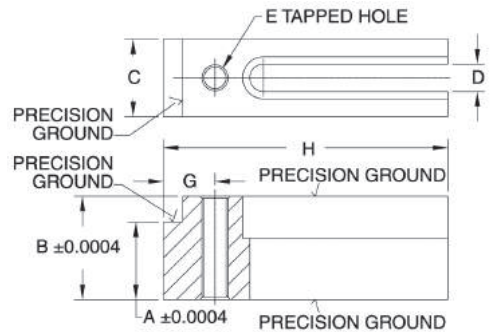
SIZE	PART NO.	A	B	C	D	SOCKET-HEAD CAP SCREWS (2 REQD)
STANDARD	CL-MF40-1411	1.0000	1/2-13	3-3/8	2	CL-1/2-13x1.75-SHCS
HEAVY	CL-MF50-1413	1.5000	5/8-11	3-3/8	2	CL-5/8-11x2.25-SHCS

EXTENSION SUPPORTS

1045 STEEL, HEAT TREATED, BLACK OXIDE FINISH

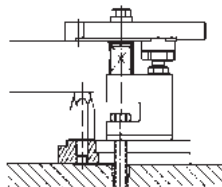


Standard Heavy

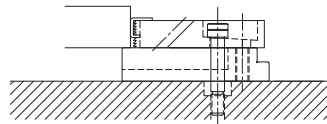


Extension Supports have a precision ground top and bottom surface for accurate height location. Available in a support height to match other types of height locators. The tapped hole is ideal for positioning components between grid points.

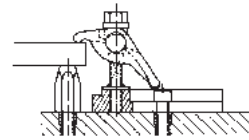
SIZE	PART NO.	A	B	C	D	E	F	G	H	SOCKET-HEAD CAP SCREW (1 REQD)
STANDARD	CL-MF40-3311	No step	1.0000	1-1/2	17/32	1/2-13	3/8	1	5-1/2	CL-1/2-13x1.50-SHCS
HEAVY	CL-MF50-3311	No step	1.5000	2	21/32	5/8-11	1/2	1-1/8	5-1/2	CL-5/8-11x2.00-SHCS



Screw Rest Pads (**INFO+** page 432) can be positioned anywhere between grid points when mounted on an Extension Support.



Extension Supports are a perfect height locator to mount underneath Serrated Edge Clamps (**INFO+** page 448).



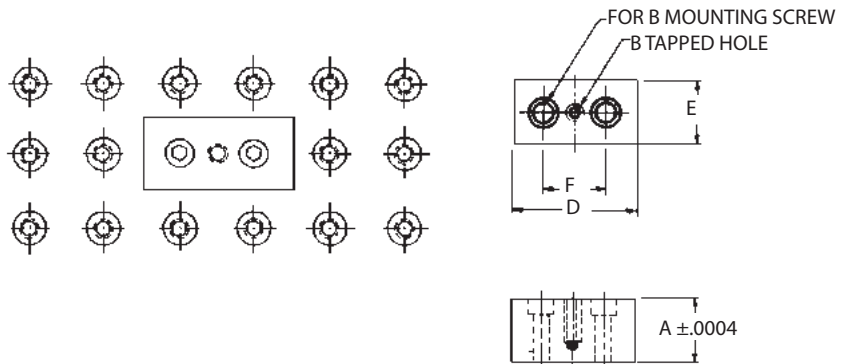
Forged Adjustable Clamps (**INFO+** page 438) can be placed anywhere between grid points when mounted in an Extension Support's tapped hole.

HALFWAY EXTENSION SUPPORTS

1045 STEEL, HEAT TREATED, BLACK OXIDE FINISH



Standard Heavy

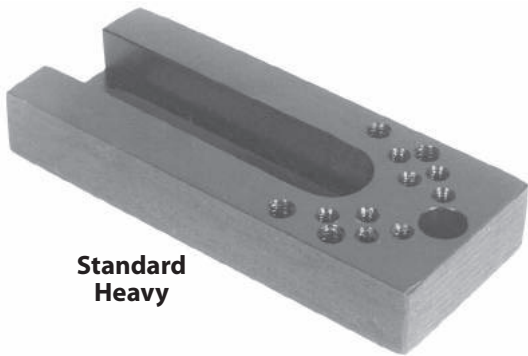


Precision ground top and bottom surface for accurate height location. Ideal for positioning components exactly halfway between two multipurpose holes. Also useful as a large rest pad.

SIZE	PART NO.	A	B	D	E	F	SOCKET-HEAD CAP SCREWS (2 REQD)
STANDARD	CL-MF40-3601	1.0000	1/2-13	4	2	2	CL-1/2-13x1.50-SHCS
HEAVY	CL-MF50-3603	1.5000	5/8-11	4	2	2	CL-5/8-11x2.00-SHCS

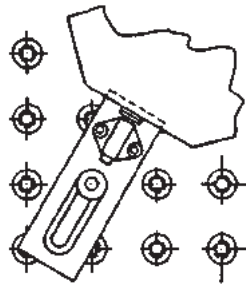
SPRING-STOP-BUTTON ADAPTORS

CARBON STEEL, HEAT TREATED, BLACK OXIDE FINISH



Standard Heavy

Versatile adaptor for standard Spring Stop Buttons and Spring Locating Pins. Applies spring pressure to the workpiece to hold it against its locators. Fits three sizes of Spring Stop Buttons, both round and flat face, and two sizes of Spring Locating Pins. **Patent no. 4,832,325.**



MOUNTING OPTIONS

The adaptor can be used three ways:

1. As a height-locating point. Use rear mounting holes. Without height locating. Use front mounting holes.
2. Without height locating. Use front mounting holes.
3. Reverse mounting. Use as a height-locating point with most of adaptor under workpiece.



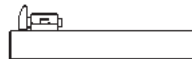
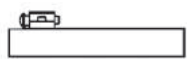
Round-Face Spring Stop Buttons



Flat-Face Spring Stop Buttons



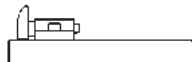
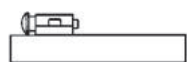
Spring Locating Pins



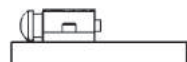
CL-10C-SSB



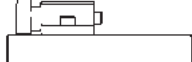
CL-7-SLP-1 Light
CL-7-SLP-2 Medium
CL-7-SLP-3 Heavy



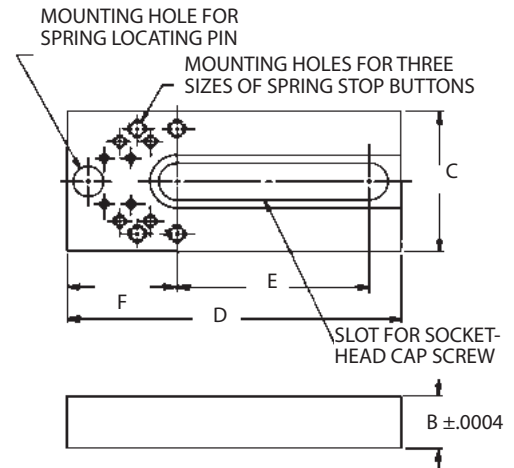
CL-20C-SSB



CL-30A-SSB



CL-30C-SSB

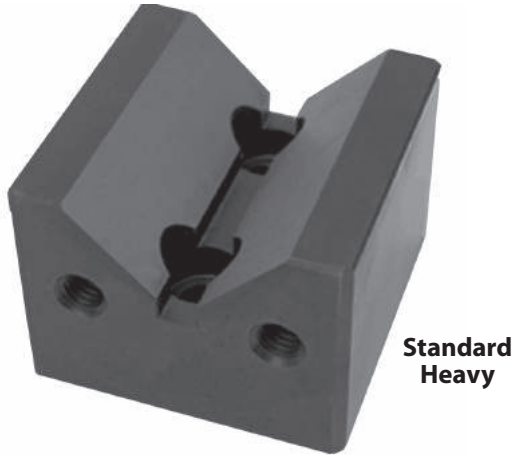


10

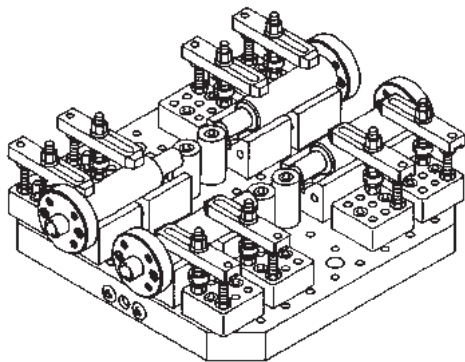
SIZE	PART NO.	FITS ROUND FACE STOP BUTTONS	FITS FLAT FACE STOP BUTTONS	FITS SPRING LOCATING PINS	B	C	D	E	F	SOCKET-HEAD CAP SCREW (1 REQD)	SOCKET-HEAD CAP SCREWS FOR SPRING STOP BUTTONS (2 REQD)		
											SMALL	MEDIUM	LARGE
STANDARD	CL-MF40-3902	CL-10A-SSB CL-20A-SSB CL-30A-SSB	CL-10C-SSB CL-20C-SSB CL-30C-SSB	CL-7-SLP-1 CL-7-SLP-2 CL-7-SLP-3	1.0000	2	4-3/4	2-3/4	1-9/16	CL-1/2-13x1.50-SHCS	CL-6-32x.50-SHCS	CL-10-32x.50-SHCS	CL-1/4-20x.75-SHCS
HEAVY	CL-MF50-3904	CL-10A-SSB CL-20A-SSB CL-30A-SSB	CL-10C-SSB CL-20C-SSB CL-30C-SSB	CL-7A-SLP-1 CL-7A-SLP-2 CL-7A-SLP-3	1.5000	2	4-3/4	2-3/4	1-9/16	CL-5/8-11x2.25-SHCS	CL-6-32x.50-SHCS	CL-10-32x.50-SHCS	CL-1/4-20x.75-SHCS

HORIZONTAL V BLOCKS

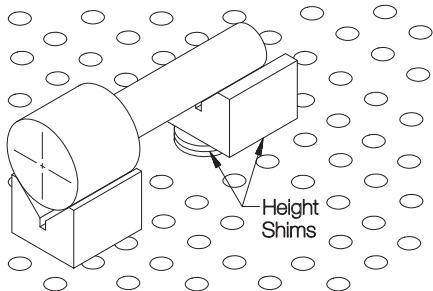
1045 STEEL, HEAT TREATED, BLACK OXIDE FINISH



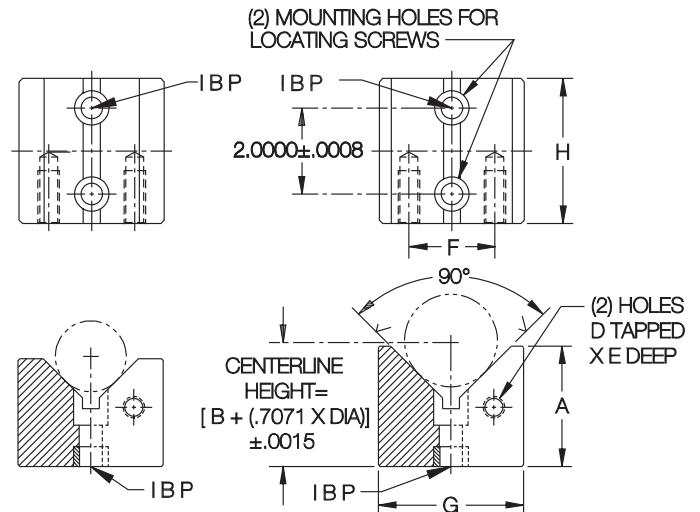
Extremely versatile locator for cylindrical workpieces. Locating surface is precision ground and accurately qualified with respect to the mounting holes. Two tapped holes in the side can be used to mount end stops or clamps. Available in two types: one for small diameters, and one for larger diameters.



In the above example, Support Cylinders are used as end stops for shafts located in Horizontal V Blocks.



To locate a workpiece from two different diameters simultaneously, use Height Shims (INFO+ page 436) to raise one V block to the proper level.



Standard—Small V

Standard—Large V
Heavy—Large V

SMALL V

SIZE	PART NO.	WORKPIECE DIAMETER RANGE	A	B	D	E	F	G	H	LOCATING SCREWS (2 REQD)	SOCKET-HEAD CAP SCREWS (0 OR 2 REQD)
STANDARD	CL-MF40-6001	9/16 to 3-1/8	2-1/2	1.3951	1/2-13	1-1/8	2	3-3/8	3-3/8	CL-MF40-4302	—

LARGE V

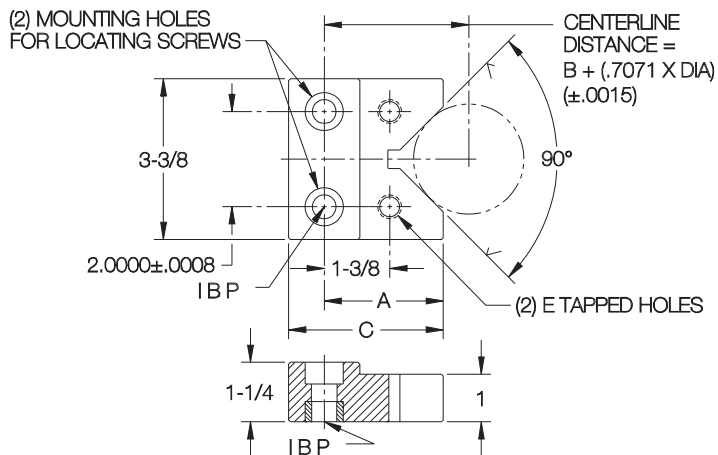
STANDARD	CL-MF40-6002	9/16 to 4	3	1.5858	1/2-13	1-1/8	2	3-3/8	3-3/8	CL-MF40-4302	—
HEAVY	CL-MF50-6002	9/16 to 4	3	1.5858	5/8-11	1-3/8	2	3-3/8	3-3/8	CL-MF50-4302	—

VERTICAL V BLOCKS

1045 STEEL, HEAT TREATED, BLACK OXIDE FINISH



Standard Heavy



Ideal for mounting a cylindrical workpiece with its axis perpendicular to the tooling surface. Locating surfaces are precision ground and accurately qualified with respect to the mounting holes.

SIZE	PART NO.	WORKPIECE DIAMETER RANGE	A	B	C	E	LOCATING SCREWS (2 REQD)
STANDARD	CL-MF40-6101	9/16 to 3-1/8	2-1/2	1.3951	3-1/4	1/2-13	CL-MF40-4302
HEAVY	CL-MF50-6101	9/16 to 3-1/8	2-1/2	1.3951	3-1/4	5/8-11	CL-MF50-4302

HEIGHT SHIMS

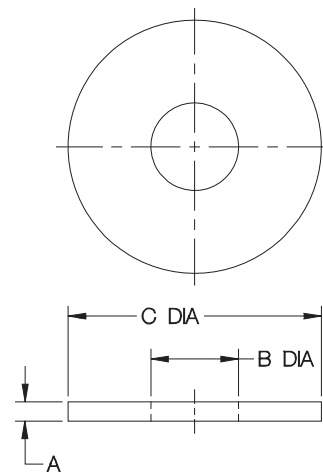
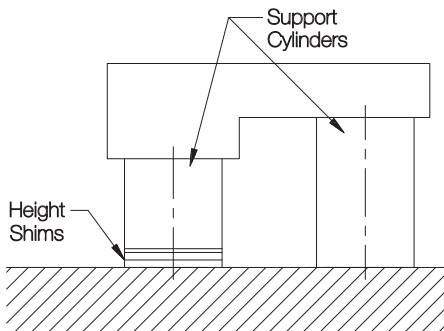
1010 STEEL



Standard Heavy

10

Precision shims that allow raising a height locator by a small, exact amount. Ideal when supporting at different levels underneath a workpiece, as in the example shown using Support Cylinders. Thickness tolerance is $\pm .0003$ on .125 size, $\pm 10\%$ on smaller sizes.



SIZE	PART NO.	A	B DIA	C DIA
STANDARD	CL-MF40-7005	.005	9/16	1-5/8
	CL-MF40-7010	.010		
	CL-MF40-7020	.020		
	CL-MF40-7125	1.25		
HEAVY	CL-MF50-7005	.005	11/16	1-7/8
	CL-MF50-7010	.010		
	CL-MF50-7020	.020		
	CL-MF50-7125	1.25		

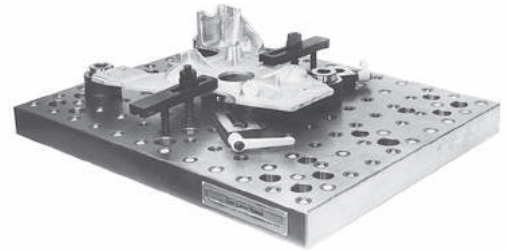
MANUAL WORK SUPPORTS

BODY & PLUNGER: CARBON STEEL, CASE HARDENED, BLACK OXIDE FINISH
HANDLE: ZINC DIE CASTING, ENAMEL PAINT

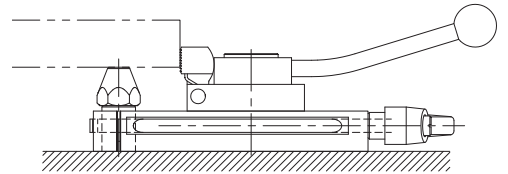


**Standard
Heavy**

Spring-extended manual work support with an extremely low profile. Plunger is locked at proper height by tightening handle. If desired, lock plunger in retracted position for easier loading of light parts, then release and retighten to extend and support. Adjustable handle can be reset to any convenient angle. **INFO+**: See page 229 for complete dimensions.



Ideal for supporting in hard-to-reach places, such as underneath this casting. Work supports can be positioned to allow convenient handle access.



A Screw Rest Pad (**INFO+** page 432), available from 1/4" to 2" tall, is an ideal contact bolt to use in the supported plunger. For an adjustable contact screw, use a Knurled Screw Jack (**INFO+** page 437). The mounting slot allows stacking other components, such as this Cam Edge Clamp, on top of the support.

SIZE	PART NO.	TAPPED HOLE IN PLUNGER	HEIGHT WITH PLUNGER FULLY RETRACTED	MAX PLUNGER STROKE	DISTANCE FROM PLUNGER TO SLOT	SLOT LENGTH	SOCKET-HEAD CAP SCREW (1 REQ.)
STANDARD	CL-MF40-5701	1/2-13	.945	.236	1-9/16	3-9/16	CL-1/2-13x1.50-SHCS
HEAVY	CL-MF50-5702	5/8-11	1.339	.433	1-3/4	3-15/16	CL-5/8-11x2.00-SHCS

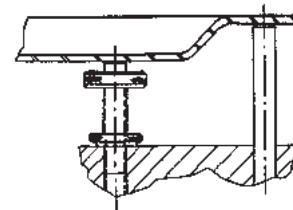
KNURLED SCREW JACKS

12L14 STEEL, CARBURIZED-HARDENED, BLACK OXIDE FINISH



**Standard
Heavy**

Knurled head allows quick, easy finger adjustment. Order Check Nut separately. **INFO+**: See page 311 for additional dimensions and sizes.



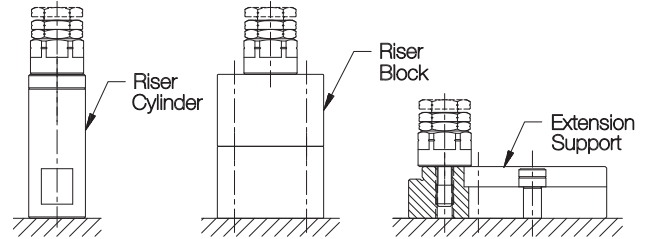
SIZE	KNURLED SCREW JACK PART NO.	CHECK NUT PART NO.	THREAD SIZE	LENGTH UNDER HEAD
STANDARD	CL-7-KSJ	CL-1213-TSJNI	1/2-13	2-1/2
HEAVY	CL-10-KSJ	CL-5811-TSJNI	5/8-11	2-1/2

HEAVY-DUTY SCREW JACKS

JACK SCREW: 4135 STEEL, HEAT TREATED, BLACK OXIDE FINISH
 TIP: 1144 OR 1045 STEEL, HEAT TREATED, BLACK OXIDE FINISH
 BODY: 1045 STEEL, BLACK OXIDE FINISH

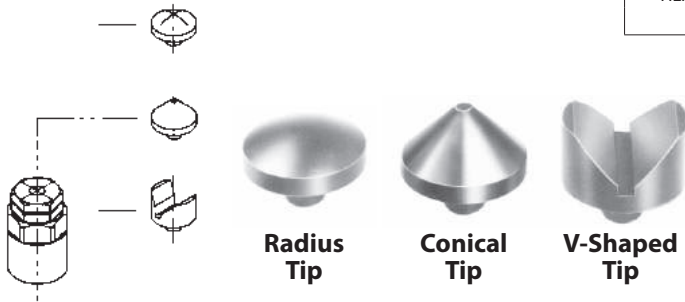


Standard Heavy



For additional height and/or mounting between grid points, use Riser Cylinders (**INFO+** page 445), Support Riser Blocks (**INFO+** page 432), or Extension Supports (**INFO+** page 433).

Heavy-duty adjustable support that accepts any of the three tips shown below. Choice of three heights in each size cover the full range of height possibilities. **INFO+**: See page 231 for additional dimensions and additional sizes.



Radius Tip

Conical Tip

V-Shaped Tip

SCREW JACKS

SIZE	PART NO.	MOUNTING SCREW SIZE	OUTSIDE DIAMETER	RETRACTED HEIGHT	MAX SCREW TRAVEL
STANDARD	CL-MF40-3401	1/2-13	1-9/16	1-5/8	3/8
	CL-MF40-3402			2	3/4
	CL-MF40-3403			2-3/4	1-1/2
HEAVY	CL-MF50-3401	5/8-11	1-9/16	1-5/8	3/8
	CL-MF50-3402			2	3/4
	CL-MF50-3403			2-3/4	1-1/2

SCREW-JACK TIPS

SIZE	PART NO.	TYPE	OUTSIDE DIAMETER	OVERALL TIP HEIGHT
ALL	CL-MF10-3501	RADIUS	1-3/16	3/8
	CL-MF10-3502	CONICAL		11/16
	CL-MF10-3503	V-SHAPED		11/16

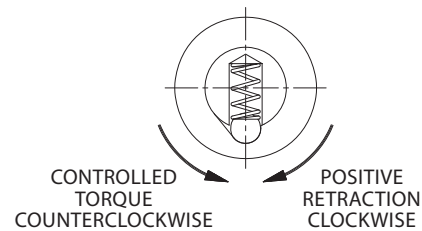
10

TORQUE SCREW JACKS

12L14 STEEL, BLACK OXIDE FINISH



Standard Heavy



A knurled-head screw jack that declutches at a preset torque. When the indicated end force is reached, the head disengages and turns freely. This eliminates the possibility of exerting excess force on thinwall parts. Knurled Check Nut is furnished. **INFO+**: See page 311 for complete dimensions and additional sizes.

SIZE	PART NO.	THREAD SIZE	END FORCE (LBS)	LENGTH UNDER HEAD
STANDARD	CL-6-TSJ	1/2-13	18-20	1-3/4
HEAVY	CL-8-TSJ	5/8-11	20-22	1-3/4

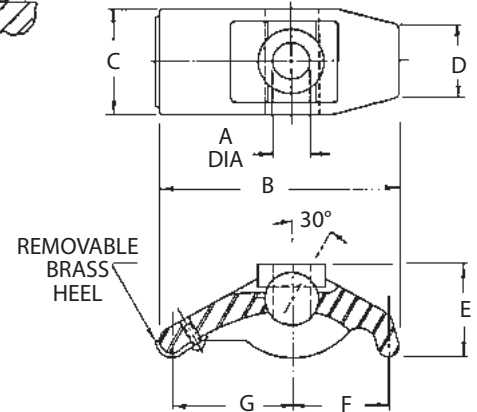
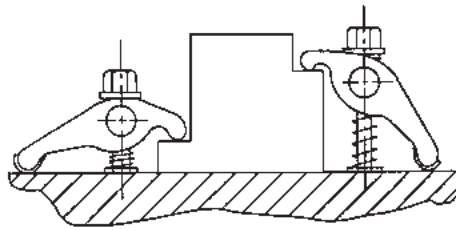
FORGED ADJUSTABLE CLAMPS

FORGED 1045 STEEL, BLACK OXIDE FINISH



**Standard
Heavy**

Rugged forged steel pivot clamp. Instant height adjustment without blocks or shims. One-piece assembly allows quick setups and eliminates lost clamp pieces. Removable brass heel protects machine table. Clamp can swing 90° in either direction for loading clearance.



CLAMP STRAPS

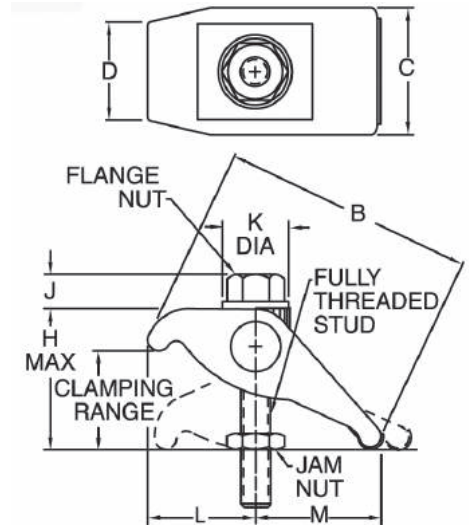
SIZE	PART NO.	STUD SIZE	CLAMPING RANGE	A DIA	B	C	D	E	F	G
STANDARD	CL-8-FAC	1/2 or M12	0 to 2-1/16	9/16	4	1-5/8	1-1/8	1-7/16	1-7/16	2-5/16
HEAVY	CL-10-FAC	5/8 or M16	0 to 3	11/16	5-1/2	1-7/8	1-3/8	1-7/8	2	3-1/4



**Assembly with Flange Nut
CL-x-FACA-FN**



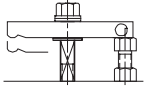
**Assembly with Hand Knob
CL-x-FACA-HK**



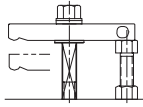
ASSEMBLIES (INCH)

SIZE	PART NO.	STUD SIZE	CLAMPING RANGE	H	J	K DIA	L		M		FORGED ADJUSTABLE CLAMP	FULLY THREADED STUD	JAM NUT	FLANGE NUT
							MIN	MAX	MIN	MAX				
STANDARD	CL-8-FACA-FN	1/2-13	0 to 2-1/16	2-5/8	11/16	1-1/8	1-3/8	1-9/16	2-1/8	2-7/16	CL-8-FAC	CL-1/2-13x4.00-FTS	CL-8-JN	CL-3-FN
HEAVY	CL-10-FACA-FN	5/8-11	0 to 3	3-3/4	13/16	1-3/8	1-13/16	2-1/8	2-15/16	3-3/8	CL-10-FAC	CL-5/8-11x5.00-FTS	CL-10-JN	CL-4-FN

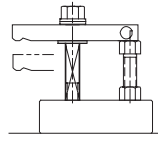
SLOTTED-HEEL CLAMP STRAPS



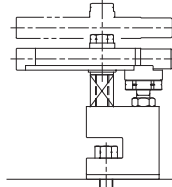
Short Clamp-Strap Assembly (see below)



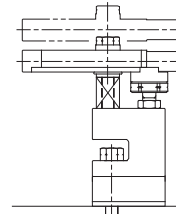
Tall Clamp-Strap Assembly (see below)



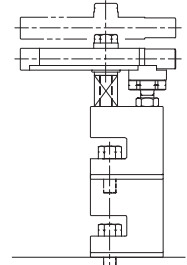
Tall Clamp-Strap Assembly - **INFO+** on Riser Block (p. 432) or Riser Cylinders (p. 445)



High-Rise Clamp (**INFO+**: p. 442)



High-Rise Clamp on Spacer Block (**INFO+**: p. 443)

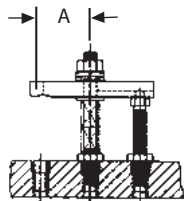


High-Rise Clamp on Narrow Riser Block (**INFO+**: p. 443)

Our most-popular clamp strap, with a slot underneath to allow sliding it straight back for clear loading. Choose from three different fastening devices, each available in a short or tall version, and two clamp-strap lengths. Order components individually (page numbers listed are in the tooling-component catalog section).



Spherical Nut & Washer



Standard Heavy

SPHERICAL NUT & WASHER (SHORT)

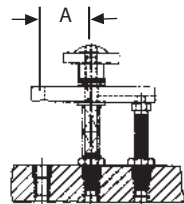
SIZE	CLAMPING HEIGHT RANGE	CLAMP STRAP (INFO++ : p. 263)			CLAMP REST (p. 329)	CLAMP SPRINGS (p. 330)	FLAT WASHER (p. 316)	JAM NUT (p. 312)	STUD (p. 318)	SPHER. NUT & WASHER (p. 314)
		PART NO.	LENGTH	A						
STANDARD	0 to 1-3/8	CL-8-CS	5	2-1/4	CL-4-CR	CL-9-SPG	CL-2-FW	CL-8-JN	CL-1/2-13x4.00	CL-3-SNW
		CL-10-CS	6	2-3/4						
HEAVY	0 to 1-3/8	CL-16-CS	5	2-3/16	CL-6-CR	CL-11-SPG	CL-3-FW	CL-10-JN	CL-5/8-11x4.50	CL-4-SNW
		CL-18-CS	6	2-11/16						

SPHERICAL NUT & WASHER (TALL)

STANDARD	1-3/8 to 2-3/4	CL-8-CS	5	2-1/4	CL-5-CR	(2) CL-9-SPG	CL-2-FW	CL-8-JN	CL-1/2-13x5.50	CL-3-SNW
		CL-10-CS	6	2-3/4						
HEAVY	1-3/8 to 2-1/2	CL-16-CS	5	2-3/16	CL-7-CR	(2) CL-11-SPG	CL-3-FW	CL-10-JN	CL-5/8-11x5.50	CL-4-SNW
		CL-18-CS	6	2-11/16						



Hand Knob



Standard Heavy

HAND KNOB (SHORT)

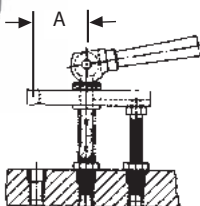
SIZE	CLAMPING HEIGHT RANGE	CLAMP STRAP (INFO++ : p. 263)			CLAMP REST (p. 329)	CLAMP SPRINGS (p. 330)	FLAT WASHER (p. 316)	JAM NUT (p. 312)	STUD (p. 318)	HAND KNOB (p. 100)	SPHERICAL WASHER (p. 314)
		PART NO.	LENGTH	A							
STANDARD	0 to 1-3/8	CL-8-CS	5	2-1/4	CL-4-CR	CL-9-SPG	CL-2-FW	CL-8-JN	CL-1/2-13x4.00	CL-4-HK-4	CL-3-SW
		CL-10-CS	6	2-3/4							
HEAVY	0 to 1-3/8	CL-16-CS	5	2-3/16	CL-6-CR	CL-11-SPG	CL-3-FW	CL-10-JN	CL-5/8-11x4.50	CL-10-HK-10	CL-4-SW
		CL-18-CS	6	2-11/16							

HAND KNOB (TALL)

STANDARD	1-3/8 to 2-3/4	CL-8-CS	5	2-1/4	CL-5-CR	(2) CL-9-SPG	CL-2-FW	CL-8-JN	CL-1/2-13x5.50	CL-4-HK-4	CL-3-SW
		CL-10-CS	6	2-3/4							
HEAVY	1-3/8 to 2-1/2	CL-16-CS	5	2-3/16	CL-7-CR	(2) CL-11-SPG	CL-3-FW	CL-10-JN	CL-5/8-11x5.50	CL-10-HK-10	CL-4-SW
		CL-18-CS	6	2-11/16							



Cam Handle



Standard Heavy

CAM HANDLE (SHORT)

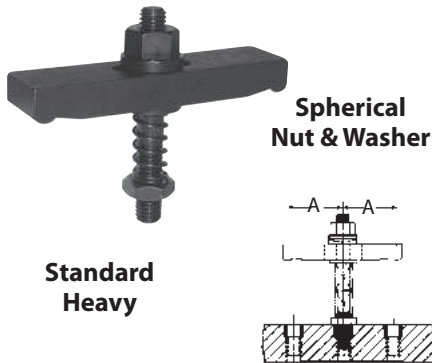
SIZE	CLAMPING HEIGHT RANGE	CLAMP STRAP (INFO++ : p. 263)			CLAMP REST (p. 329)	CLAMP SPRINGS (p. 330)	FLAT WASHER (p. 316)	JAM NUT (p. 312)	SPHERICAL WASHER (p. 314)	CAM HANDLE (p. 327)	EYE BOLT (p. 326)	CLEVIS PIN (p. 327)
		PART NO.	LENGTH	A								
STANDARD	0 to 1-3/8	CL-8-CS	5	2-1/4	CL-4-CR	CL-9-SPG	CL-2-FW	CL-8-JN	CL-3-SW	CL-13-CH	CL-50-EB	CL-1218-CLVP
		CL-10-CS	6	2-3/4								
HEAVY	0 to 1-3/8	CL-16-CS	5	2-3/16	CL-6-CR	CL-11-SPG	CL-3-FW	CL-10-JN	CL-4-SW	CL-14-CH	CL-62-EB	CL-2020-CLVP
		CL-18-CS	6	2-11/16								

CAM HANDLE (TALL)

STANDARD	1-3/8 to 2-3/4	CL-8-CS	5	2-1/4	CL-5-CR	(2) CL-9-SPG	CL-2-FW	CL-8-JN	CL-3-SW	CL-13-CH	CL-51-EB	CL-1218-CLVP
		CL-10-CS	6	2-3/4								
HEAVY	1-3/8 to 2-1/2	CL-16-CS	5	2-3/16	CL-7-CR	(2) CL-11-SPG	CL-3-FW	CL-10-JN	CL-4-SW	CL-14-CH	CL-63-EB	CL-2020-CLVP
		CL-18-CS	6	2-11/16								

DOUBLE-END CLAMP STRAPS

A clamp-strap assembly with two clamping ends, for holding two workpieces simultaneously. Choose from three different fastening devices, each available in a short or tall version, and two clamp-strap lengths. Order components individually.

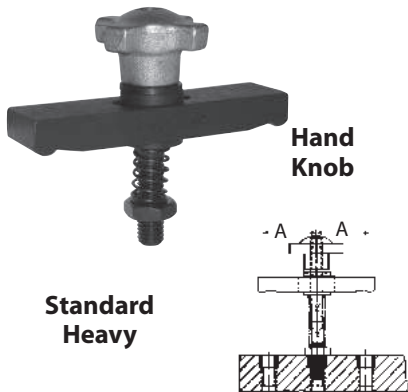


SPHERICAL NUT & WASHER (SHORT)

SIZE	CLAMPING-HEIGHT RANGE	CLAMP STRAP (INFO++: p. 276)			CLAMP SPRINGS (p. 330)	FLAT WASHER (p. 316)	JAM NUT (p. 312)	STUD (p. 318)	SPHERICAL NUT & WASHER (p. 314)
		PART NO.	LENGTH	A					
STANDARD	0 to 1-3/8	CL-28-CS	5	2-19/64	CL-9-SPG	CL-2-FW	CL-8-JN	CL-1/2-13x4.00	CL-3-SNW
		CL-30-CS	6	2-51/64					
HEAVY	0 to 1-3/8	CL-32A-CS	5	2-1/4	CL-11-SPG	CL-3-FW	CL-10-JN	CL-5/8-11x4.50	CL-4-SNW
		CL-33-CS	6	2-3/4					

SPHERICAL NUT & WASHER (TALL)

SIZE	CLAMPING-HEIGHT RANGE	CLAMP STRAP (INFO++: p. 276)			CLAMP SPRINGS (p. 330)	FLAT WASHER (p. 316)	JAM NUT (p. 312)	STUD (p. 318)	SPHERICAL NUT & WASHER (p. 314)
		PART NO.	LENGTH	A					
STANDARD	1-3/8 to 2-3/4	CL-28-CS	5	2-19/64	(2) CL-9-SPG	CL-2-FW	CL-8-JN	CL-1/2-13x5.50	CL-3-SNW
		CL-30-CS	6	2-51/64					
HEAVY	1-3/8 to 2-1/2	CL-32A-CS	5	2-1/4	(2) CL-11-SPG	CL-3-FW	CL-10-JN	CL-5/8-11x5.50	CL-4-SNW
		CL-33-CS	6	2-3/4					

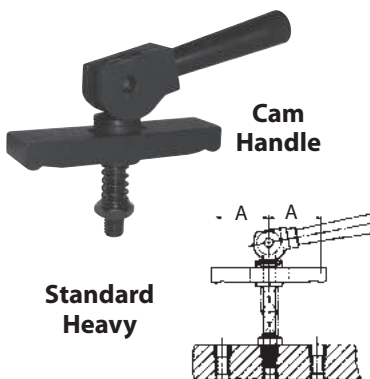


HAND KNOB (SHORT)

SIZE	CLAMPING-HEIGHT RANGE	CLAMP STRAP (INFO++: p. 276)			CLAMP SPRINGS (p. 330)	FLAT WASHER (p. 316)	JAM NUT (p. 312)	STUD (p. 318)	HAND KNOB (p. 100)	SPHERICAL NUT & WASHER (p. 314)
		PART NO.	LENGTH	A						
STANDARD	0 to 1-3/8	CL-28-CS	5	2-19/64	CL-9-SPG	CL-2-FW	CL-8-JN	CL-1/2-13x4.00	CL-4-HK-4	CL-3-SW
		CL-30-CS	6	2-51/64						
HEAVY	0 to 1-3/8	CL-32A-CS	5	2-1/4	CL-11-SPG	CL-3-FW	CL-10-JN	CL-5/8-11x4.50	CL-10-HK-10	CL-4-SW
		CL-33-CS	6	2-3/4						

HAND KNOB (TALL)

SIZE	CLAMPING-HEIGHT RANGE	CLAMP STRAP (INFO++: p. 276)			CLAMP SPRINGS (p. 330)	FLAT WASHER (p. 316)	JAM NUT (p. 312)	STUD (p. 318)	HAND KNOB (p. 100)	SPHERICAL NUT & WASHER (p. 314)
		PART NO.	LENGTH	A						
STANDARD	1-3/8 to 2-3/4	CL-28-CS	5	2-19/64	(2) CL-9-SPG	CL-2-FW	CL-8-JN	CL-1/2-13x5.50	CL-4-HK-4	CL-3-SW
		CL-30-CS	6	2-51/64						
HEAVY	1-3/8 to 2-1/2	CL-32A-CS	5	2-1/4	(2) CL-11-SPG	CL-3-FW	CL-10-JN	CL-5/8-11x5.50	CL-10-HK-10	CL-4-SW
		CL-33-CS	6	2-3/4						



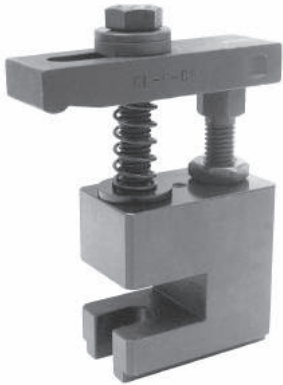
CAM HANDLE (SHORT)

SIZE	CLAMPING-HEIGHT RANGE	CLAMP STRAP (INFO++: p. 276)			CLAMP SPRINGS (p. 330)	FLAT WASHER (p. 316)	JAM NUT (p. 312)	SPHERICAL NUT & WASHER (p. 314)	CAM HANDLE (p. 327)	EYE BOLT (p. 326)	DOWEL PIN (p. 248)
		PART NO.	LENGTH	A							
STANDARD	0 to 1-3/8	CL-28-CS	5	2-19/64	CL-9-SPG	CL-2-FW	CL-8-JN	CL-3-SW	CL-13-CH	CL-50-EB	CL-3/8x1.00-CADP
		CL-30-CS	6	2-51/64							
HEAVY	0 to 1-3/8	CL-32A-CS	5	2-1/4	CL-11-SPG	CL-3-FW	CL-10-JN	CL-4-SW	CL-14-CH	CL-62-EB	CL-5/8x1.25-CADP
		CL-33-CS	6	2-3/4							

SPHERICAL NUT & WASHER (TALL)

SIZE	CLAMPING-HEIGHT RANGE	CLAMP STRAP (INFO++: p. 276)			CLAMP SPRINGS (p. 330)	FLAT WASHER (p. 316)	JAM NUT (p. 312)	SPHERICAL NUT & WASHER (p. 314)	CAM HANDLE (p. 327)	EYE BOLT (p. 326)	DOWEL PIN (p. 248)
		PART NO.	LENGTH	A							
STANDARD	1-3/8 to 2-3/4	CL-28-CS	5	2-19/64	(2) CL-9-SPG	CL-2-FW	CL-8-JN	CL-3-SW	CL-13-CH	CL-51-EB	CL-3/8x1.00-CADP
		CL-30-CS	6	2-51/64							
HEAVY	1-3/8 to 2-1/2	CL-32A-CS	5	2-1/4	(2) CL-11-SPG	CL-3-FW	CL-10-JN	CL-4-SW	CL-14-CH	CL-63-EB	CL-5/8x1.25-CADP
		CL-33-CS	6	2-3/4							

HIGH-RISE CLAMPS

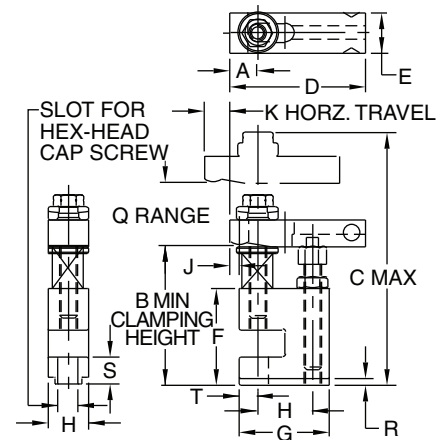
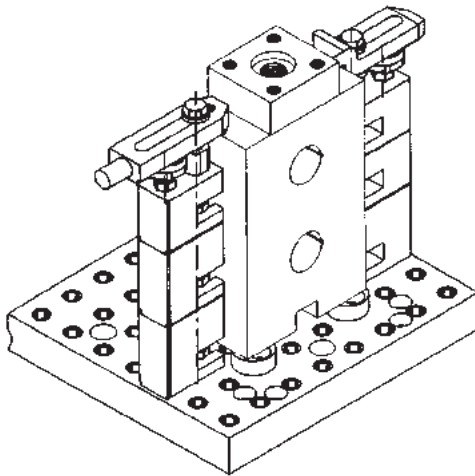


Standard Heavy

Slotted Heel

For clamping taller workpieces. All-in-one clamp construction for quick, safe setups. Modular design allows stacking for height flexibility. Clamp Straps slide back for loading clearance.

High-Rise Clamps can be stacked on Narrow Riser Blocks and Spacer Blocks (INFO+ page 443) to reach tall workpieces.



SLOTTED HEEL HIGH-RISE CLAMPS

SIZE	PART NO.	A	B	C	D	E	F	G	H	J	K	Q	R	S	T	HEX-HEAD CAP SCREW (1 REQD)
STANDARD	CL-MF40-2051	23/32	3-5/8	5-3/4	4	1-1/4	2-3/4	2-3/4	1-9/16	13/64	1-9/32	1	3/16	13/16	9/16	CL-MF40-4311
HEAVY	CL-MF50-2051	29/32		7-1/4	5	1-1/2	2-15/16	3-9/16	2	1/4	1-19/32				13/16	CL-MF50-4311

* Use CL-MF25-4311 when mounted on a Narrow Riser Block.

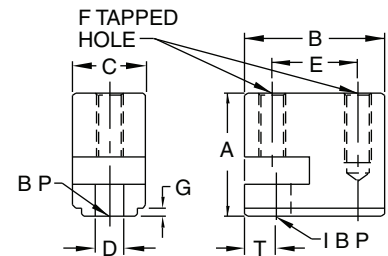
10



Standard Heavy

Adaptor Base

Adaptor used in the assembly above. Also allows using other types of clamp straps as high-rise clamps.

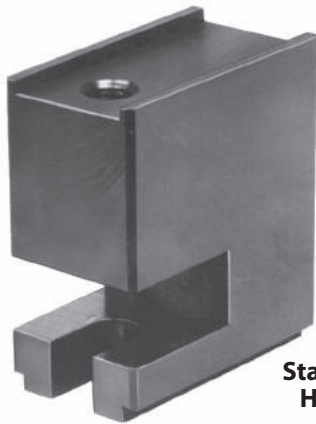


ADAPTOR BASES

SIZE	PART NO.	A	B	C	D	E	F	G	HEX-HEAD CAP SCREW (1 REQD)
STANDARD	CL-MF40-1901	2-3/4	2-3/4	1-9/16	9/16	1-9/16	1/2-13	3/16	CL-MF40-4311
HEAVY	CL-MF50-1901	2-15/16	3-9/16	2	11/16	2	5/8-11	3/16	CL-MF50-4311

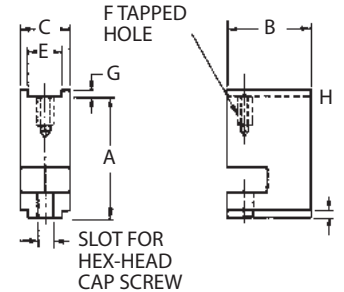
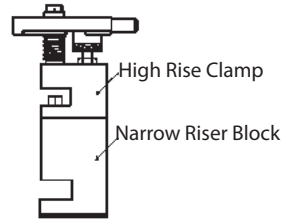
HIGH-RISE-CLAMP ACCESSORIES

CARBON STEEL, BLACK OXIDE FINISH



Narrow Riser Block

Standard Heavy



NARROW RISER BLOCKS

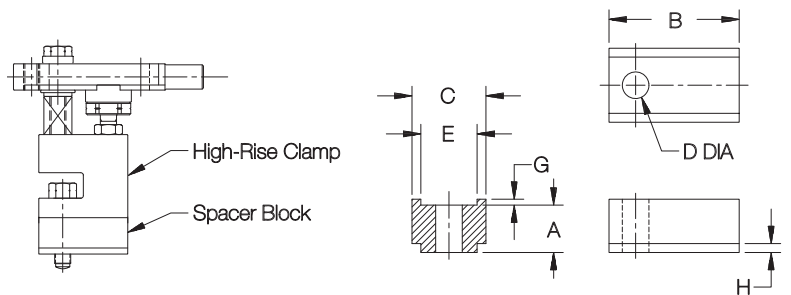
These Narrow Riser Blocks are used to raise up High-Rise Clamps to reach tall workpieces. Interlocking channels ensure that clamps and risers remain properly aligned when stacked up. Clamps and risers are fastened to the tapped hole on top of the riser block.

SIZE	PART NO.	A	B	C	E	F	G	H	HEX-HEAD CAP SCREW (1 REQD)
STANDARD	CL-MF40-2301	3	2-3/4	1-9/16	1-3/16	1/2-13	1/8	3/16	CL-MF40-4311
HEAVY	CL-MF50-2301	3	3-9/16	2	1-9/16	5/8-11	1/8	3/16	CL-MF50-4311



Spacer Block

Standard Heavy



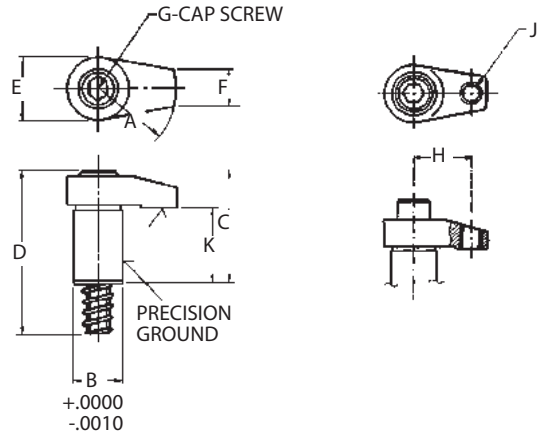
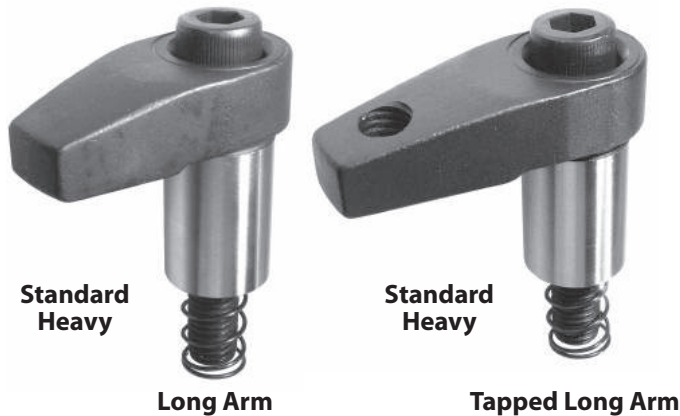
A shorter version of the Narrow Riser Block for raising height only slightly. These blocks also have interlocking channels and can be stacked. Note: A longer hex-head cap screw is required to mount the High-Rise Clamp when using a Spacer Block.

SPACER BLOCKS

SIZE	PART NO.	A	B	C	D DIA	E	G	H
STANDARD	CL-MF40-2351	1	2-3/4	1-9/16	17/32	1-3/16	1/8	3/16
HEAVY	CL-MF50-2351	1	3-9/16	2	11/16	1-9/16	1/8	3/16

HOOK CLAMPS

CLAMP BODY: 4135 STEEL, HEAT TREATED, BLACK OXIDE FINISH
 HOLDER: 1045 STEEL, BLACK OXIDE FINISH



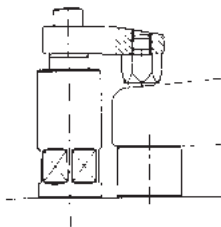
Versatile Hook Clamps available with either a plain or tapped arm. The tapped-arm version accepts a wide variety of contact bolts or adjustment spindles to increase clamping range (the tapped arm is also slightly longer). **INFO+**: For additional sizes and more complete dimensions, see pages 297-300 of tooling component catalog section.

LONG-ARM HOOK CLAMPS

SIZE	PART NO.	A	B DIA	C	D	E	F	G	H	J	K
STANDARD	CL-MF40-5002	2	1.0000	2-1/2	3-1/2	1-1/4	11/16	1/2-13x3.00	—	—	1-17/32
HEAVY	CL-MF50-5002	2	1.2500	2-7/8	3-7/8	1-7/16	7/8	5/8-11x3.25	—	—	1-17/32

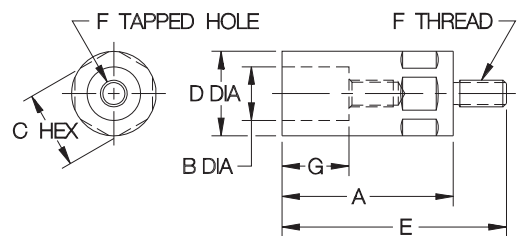
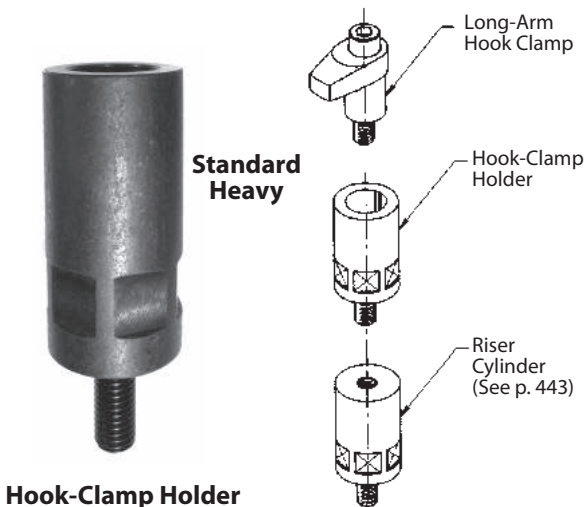
TAPPED LONG-ARM HOOK CLAMPS

SIZE	PART NO.	A	B DIA	C	D	E	F	G	H	J	K
STANDARD	CL-MF40-5013	2-3/8	1.0000	2-1/2	3-1/2	1-1/4	11/16	1/2-13x3.00	1-13/16	1/2-13	1-17/32
HEAVY	CL-MF50-5014	2-3/8	1.2500	2-7/8	3-7/8	1-7/16	7/8	5/8-11x3.25	1-13/16	5/8-11	1-17/32



10

Hook Clamps work well in conjunction with Support Cylinders (**INFO+** page 430) or Screw Rest Pads (**INFO+** page 432) to allow clamping directly over a supported point. **INFO+**: Also see page 445 for Hook-Clamp Mounting Blocks.

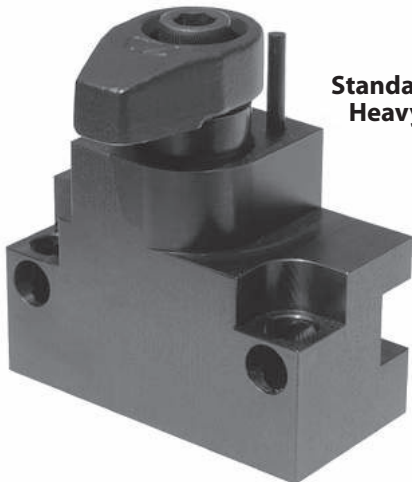


HOOK-CLAMP HOLDERS

SIZE	PART NO.	F THREAD SIZE	A	B DIA	C	D DIA	E	G
STANDARD	CL-MF40-5101	1/2-13	3-1/8	1.0000	1-7/16	1-9/16	4-3/8	1-9/16
	CL-MF40-5102		4				5-1/4	
HEAVY	CL-MF50-5101	5/8-11	3-1/8	1.2500	1-3/4	2	4-3/8	1-9/16
	CL-MF50-5102		4				5-1/4	

HOOK CLAMPS

MOUNTING BLOCKS: 1045 STEEL, BLACK OXIDE FINISH

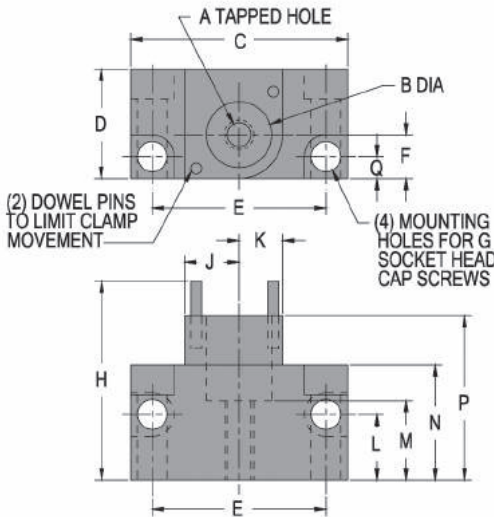


Standard Heavy

These mounting blocks for long-arm Hook Clamps have built-in 90° stops that provide consistent arm positioning in both clamped and unclamped position. Two sets of mounting holes allow either base mounting or side mounting. Precision bored hole for smooth swing action. Available for all three sizes of long-arm Hook Clamps.



Hook-Clamp Mounting Block (order Hook-Clamp separately)



HOOK-CLAMP MOUNTING BLOCKS

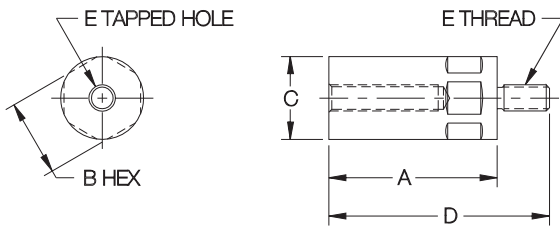
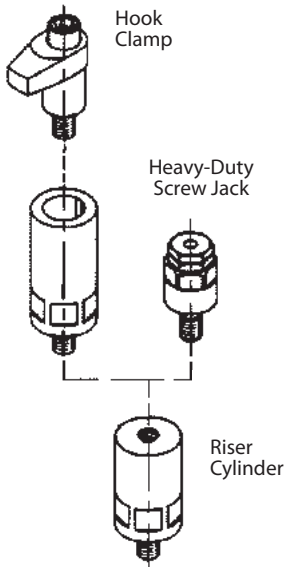
SIZE	PART NO.	A	B	C	D	E	F	G	H	J	K	L	M	N	P	Q
STANDARD	CL-MF40-5801	1/2-13	1.0000	2-3/4	2	2	1	1/2-13	3-3/4	1	3/4	1	1-5/32	1-7/8	2-3/4	3/8
HEAVY	CL-MF50-5801	5/8-11	1.2500	5	2	4	1	5/8-11	3-3/4	1	1	1-1/4	1-5/32	2-1/4	2-3/4	1/2

RISER CYLINDERS

1045 STEEL, BLACK OXIDE FINISH



Standard Heavy



Provides additional height without taking up much space. Useful with Hook Clamps (INFO+ page 444), and Heavy-Duty Screw Jacks (INFO+ page 438).

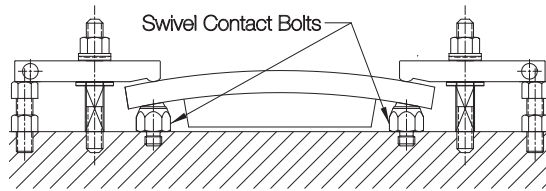
SIZE	PART NO.	A	B	C DIA	D	E
STANDARD	CL-MF40-5201	2	1-7/16	1-9/16	3-1/4	1/2-13
	CL-MF40-5203	3-1/8			4-3/8	
	CL-MF40-5204	4			5-1/4	
HEAVY	CL-MF50-5201	2	1-13/16	2	3-1/4	5/8-11
	CL-MF50-5203	3-1/8			4-3/8	
	CL-MF50-5204	4			5-1/4	

SWIVEL CONTACT BOLTS

BALL: CHROME STEEL, HEAT TREATED RC 60-67
 BODY: 1144 STEEL, HEAT TREATED RC 35-40, BLACK OXIDE FINISH

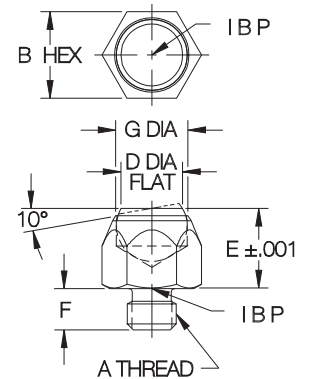
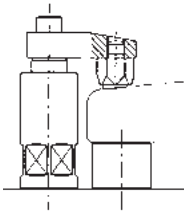


Standard Heavy



Swivel Contact Bolts are precision ground for accurate height location, even on sloped surfaces. **INFO+**: See page 436 for Height Shims if additional heights are required.

Precision swivel ball that can be used as either a contact bolt or rest pad. Ideal for evenly distributing clamping pressure on sloped surfaces. **INFO+**: For additional thread sizes, see tooling-component catalog section (page 226).



SIZE	PART NO.	A	B	D DIA	E	F	G DIA
STANDARD	CL-MF40-2501	1/2-13	7/8	5/8	.8125	.41	23/32
HEAVY	CL-MF50-2501	5/8-11	1-1/16	13/16	1.0000	.61	29/32

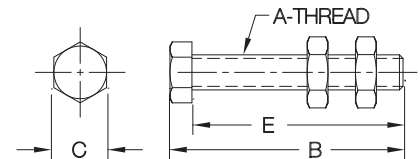
10

STANDARD-ADJUSTABLE SPINDLES

CARBON STEEL, ZINC PLATED CLEAR CHROMATE



Standard Heavy



Long hex-head contact bolt. Fully threaded for maximum adjustment range.

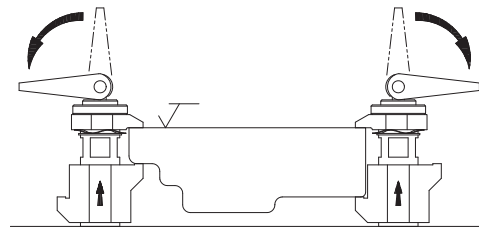
SIZE	PART NO.	A	B	C	E
STANDARD	CL-12314-SA	1/2-13	3-5/16	3/4	3
HEAVY	CL-58438-SA	5/8-11	4-3/8	15/16	4

UP-THRUST CLAMPS

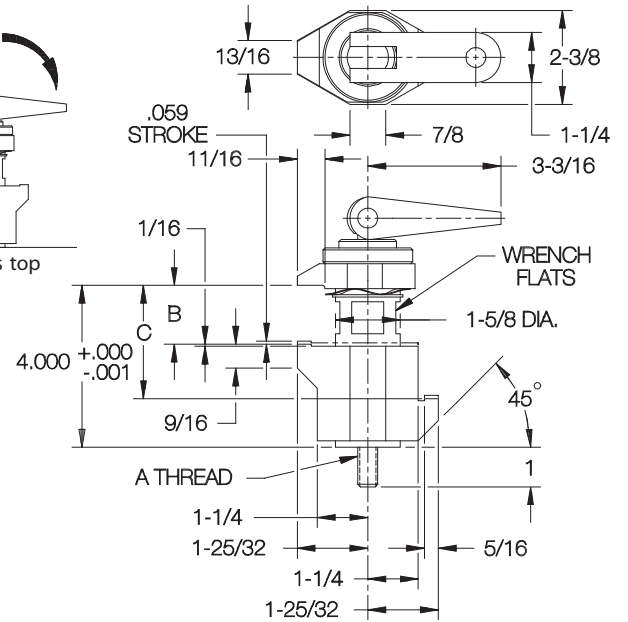
STEEL, WEAR SURFACES HARDENED, BLACK OXIDE FINISH



Standard



Up-Thrust Clamps locate off of the part's top surface and clamp up from below.



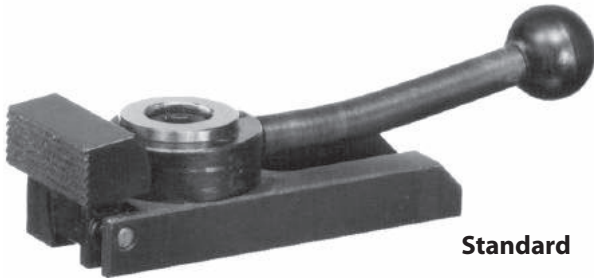
Combination clamp and locator with unique upward clamping action. Pushing down the cam handle pulls the lower jaw upward. This clamps the workpiece against the stationary upper jaw, whose bottom surface is a precision-ground locator.

The lower jaw has two clamping surfaces 180° apart, one for thinner parts, the other for thicker parts. The cam handle rotates to screw the lower jaw up or down for fine adjustment.

SIZE	PART NO.	A	B RANGE		C RANGE		MAX CLAMPING FORCE (LBS)
			MIN	MAX	MIN	MAX	
STANDARD	CL-MF40-5301	1/2-13	0	1-3/8	1-3/8	2-3/4	2200

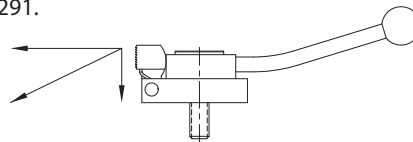
CAM EDGE CLAMPS

BODY: STEEL, WEAR SURFACES HARDENED, BLACK OXIDE FINISH
BALL HANDLE: BLACK PHENOLIC PLASTIC

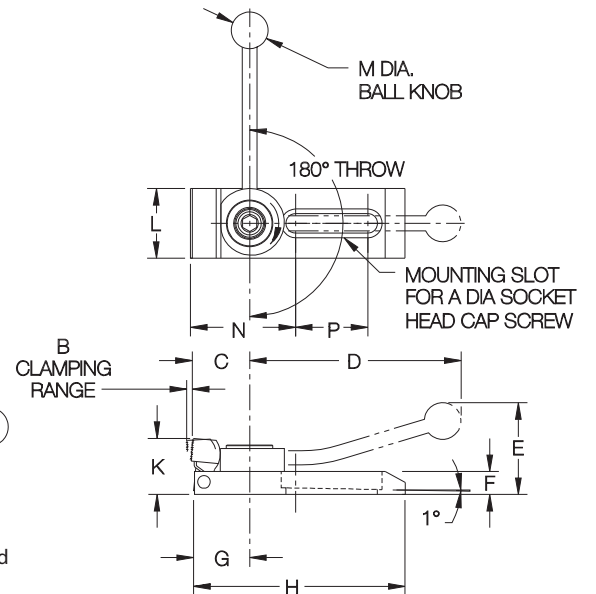


Standard

Pivoting-nose edge clamp operated by a cam handle for fast action. Smooth spiral cam locks positively anywhere within its 180° throw. Choice of clockwise or counterclockwise handle rotation to clamp. **INFO+**: For additional models, see page 291.



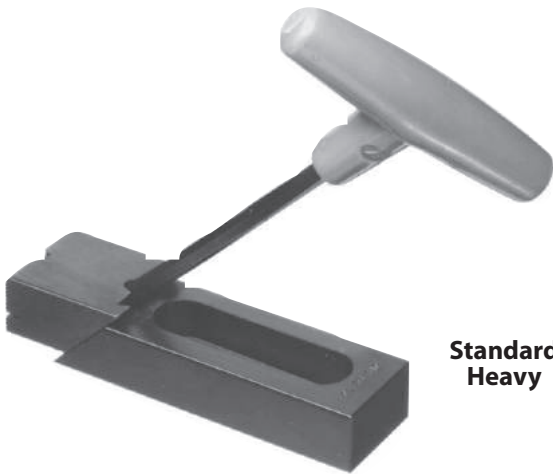
Nose pivots to exert clamping force forward and downward at the same time.



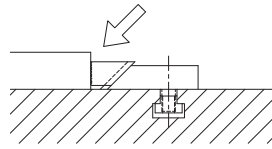
SIZE	PART NO.	CLAMPING DIRECTION	A	B	C	D	E	F	G	H	K		L	M	N	P	MAX CLAMPING FORCE (LBS)		SOCKET-HEAD CAP SCREW (1 REQD)
											MIN	MAX					HORIZ	VERT	
STANDARD	CL-MF40-5611	CLOCKWISE	1/2-13	7/32	1-9/16	5-3/4	2-1/2	5/8	1-1/2	6	1-5/16	1-1/2	1-7/8	1	2-15/16	2	1500	100	CL-1/2-13x1.25-SHCS
	CL-MF40-5612	CCW																	

SERRATED EDGE CLAMPS

BODY AND NOSE: 1018 STEEL, CARBURIZED-HARDENED, BLACK OXIDE FINISH
 CLAMPING SCREW: 4140 STEEL, HEAT TREATED RC 43-45, BLACK OXIDE FINISH
 NOSE COVER: ALUMINUM

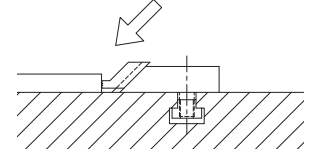


**Standard
Heavy**



High Nose

High-nose version is best for most applications. Gripping high up on the workpiece, close to the machining plane, provides maximum clamping rigidity. A removable aluminum nose cover is furnished for clamping soft or machined parts without damage.



Low Nose

Low-nose version is ideal for thin parts, with its extra machining clearance.

This low-profile clamp is ideal for gripping the side of a workpiece to keep the top clear for machining. Clamps both forward and down simultaneously, by tightening the socket-head screw in the sliding nose with a hex wrench. V-groove in nose is excellent for clamping round parts or corners.

10 ADJUSTABLE — HIGH NOSE

SIZE	PART NO.	A	B	C	D	E	F	G	H	J	K	L	M	N	P	Q	MOUNTING SCREWS (1 OR 2 REQD)
STANDARD	CL-45-SAC	4	7/8	1-1/2	—	—	—	1-1/4	1/2	5/8	5/16	3-3/16	1/4	—	—	2-1/4	(1) CL-1/2-13x1.50-SHCS
	CL-55-SAC	5-1/2						2-1/8				4-11/16				2-1/2	
	CL-65-SAC	7-1/8						3				6-5/16				2-9/16	
HEAVY	CL-75-SAC	5-1/2	1-1/4	1-3/4	—	—	—	1-3/8	5/8	3/4	5/16	4-1/2	5/16	—	—	3-9/32	(1) CL-5/8-11x2.00-SHCS
	CL-95-SAC	8-1/4						4				7-1/4				3	

ADJUSTABLE — LOW NOSE

STANDARD	CL-40-SAC	4	7/8	1-1/2	—	—	—	1-1/4	1/2	—	5/16	3-3/16	1/4	1/4	1/4	2-1/4	(1) CL-1/2-13x1.50-SHCS
	CL-50-SAC	5-1/2						2-1/8				4-11/16				2-1/2	
	CL-60-SAC	7-1/8						3				6-5/16				2-9/16	
HEAVY	CL-70-SAC	5-1/2	1-1/4	1-3/4	—	—	—	1-3/8	5/8	—	5/16	4-1/2	5/16	5/16	5/16	3-9/32	(1) CL-5/8-11x2.00-SHCS
	CL-90-SAC	8-1/4						4				7-1/4				3	

FIXED — HIGH NOSE

STANDARD	CL-45-SFC	2-11/16	7/8	1-1/2	2	3	1	—	—	5/8	5/16	1-7/8	1/4	—	—	2-3/16	(2) CL-1/2-13x1.38-FHSS
HEAVY	CL-75-SFC	3-1/2	1-1/4	1-3/4	2	3-1/4	1-1/4	—	—	3/4	5/16	2-1/2	5/16	—	—	2-7/8	(2) CL-5/8-11x2.00-FHSS

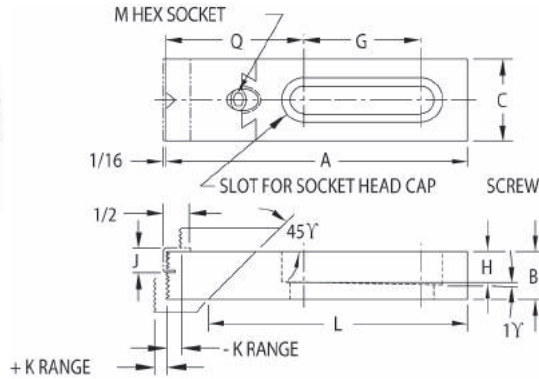
FIXED — LOW NOSE

STANDARD	CL-40-SFC	2-11/16	7/8	1-1/2	2	3	1	—	—	5/8	5/16	1-7/8	1/4	1/4	1/4	2-3/16	(2) CL-1/2-13x1.38-FHSS
HEAVY	CL-70-SFC	3-1/2	1-1/4	1-3/4	2	3-1/4	1-1/4	—	—	3/4	5/16	2-1/2	5/16	5/16	5/16	2-7/8	(2) CL-5/8-11x2.00-FHSS

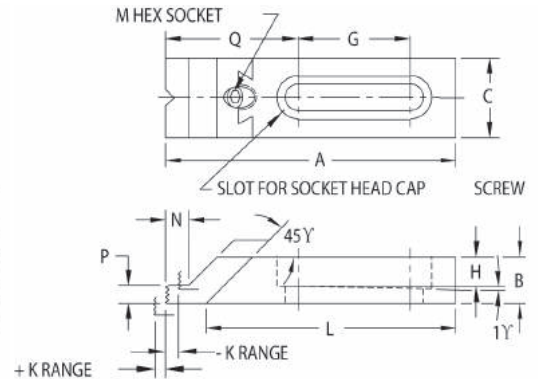
SERRATED EDGE CLAMPS



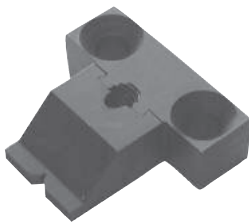
Serrated Adjustable Edge Clamp



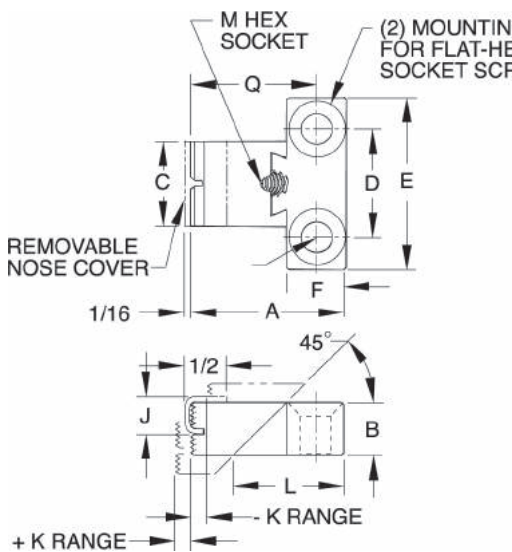
High Nose



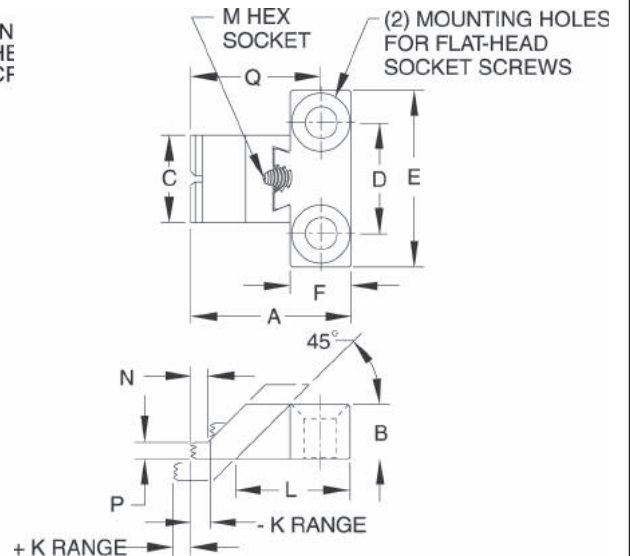
Low Nose



Serrated Fixed Edge Clamp



High Nose



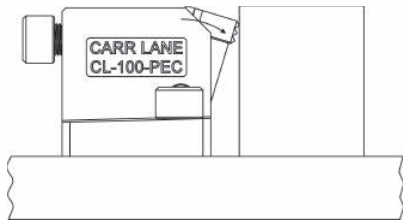
Low Nose

PIVOTING EDGE CLAMPS

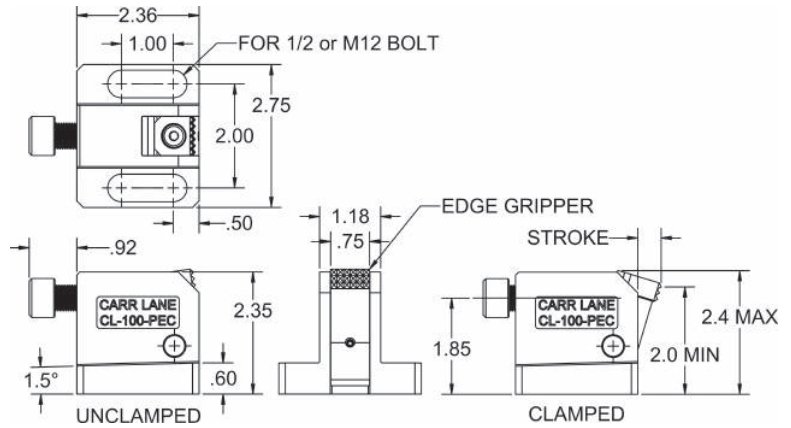
BODY & JAW: 1018 STEEL, BLACK OXIDE FINISH
 EDGE GRIPPER: M-2 TOOL STEEL, HEAT TREATED Rc 60-62, BLACK OXIDE FINISH
 DOWEL PIN: 4140 ALLOY STEEL



Standard



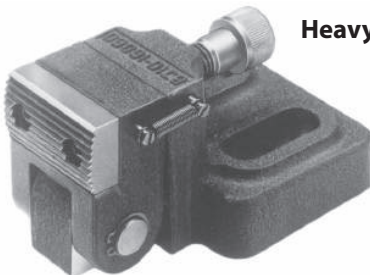
This edge clamp is well suited for holding large castings and other tall workpieces. The pivoting jaw exerts clamping force forward and downward at the same time. The jaw has a replaceable serrated gripper made of hardened tool steel for high-production durability. The slotted base provides adjustability and has a tapered top surface to prevent the clamp from moving. Fasten with two Socket-Head Cap Screws (order separately).



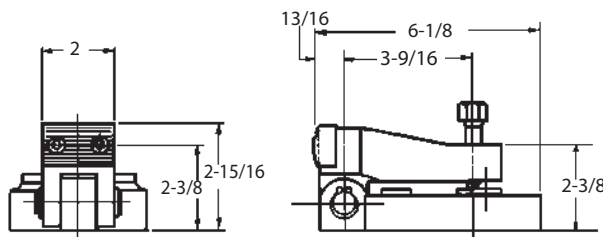
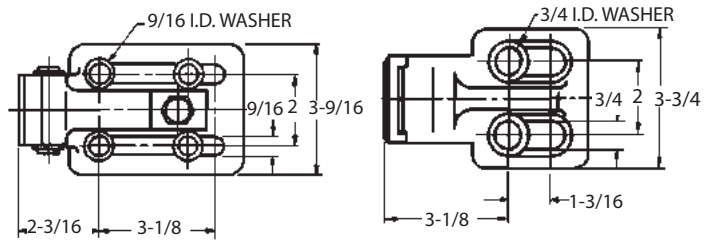
PART NO.	MAXIMUM CLAMPING STROKE	MOUNTING SCREW SIZE	THRUST SCREW SIZE	BALL-END THRUST SCREW (FURNISHED)	EDGE GRIPPER (FURNISHED)
CL-100-PEC	1/2	1/2-13 or M12	1/2-20	CL-80-BTS-1.75	CL-12-EG-6



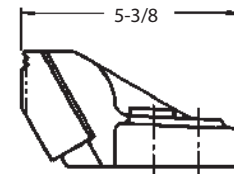
Standard



Heavy



Standard



Heavy

These large edge clamps are well suited for holding large castings and other tall workpieces. The wide pivoting jaw exerts clamping force forward and downward at the same time. The slotted base provides adjustability. Available in standard (1/2") and heavy (5/8") sizes.

SIZE	PART NO.	MAX. CLAMPING FORCE (LBS)		SOCKET-HEAD CAP SCREWS (2 OR 4 REQD)	REPLACEMENT JAW
		HORIZ	VERT		
STANDARD	CL-MF40-1001	2000	220	(4) CL-1/2-13x2.25-SHCS	CL-MF40-1011
HEAVY	CL-MF50-1001	4200	730	(2) CL-5/8-11x3.00-SHCS	CL-MF40-1011

TOGGLE CLAMPS



**Horizontal-Handle
Hold-Down Clamps**



**Vertical-Handle
Hold-Down Clamps**



**Push/Pull
Clamps**



**Latch-Action
Clamps**



Toggle Pliers



**Air-Powered
Clamps**

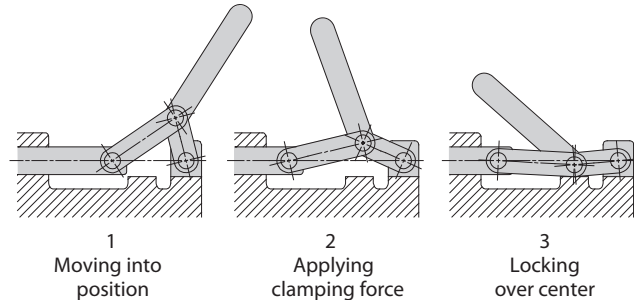


**Toggle Clamp
Accessories**

TOGGLE CLAMPS

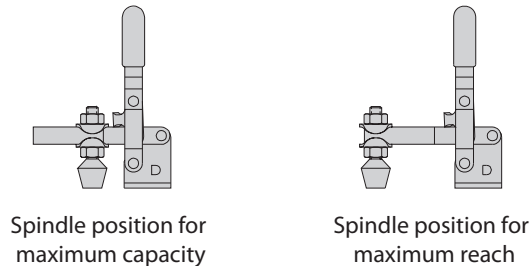
TOGGLE-ACTION PRINCIPLES

A toggle clamp is a quick-acting mechanical linkage where two of the elements make up a toggle action. Actuating the clamp first moves it into position, then applies clamping force by compressing or stretching the linkage elements after contacting the workpiece, then positively locks it by moving the toggle action's center pivot past the centerline of the other two pivots, against a stop.



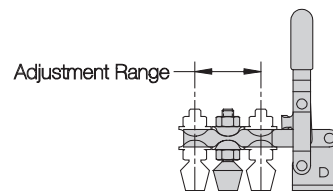
HOLDING CAPACITY

The "holding capacity" listed for each clamp refers to the maximum external force that clamp can safely resist in its locked position without incurring any permanent deformation. For hold-down clamps, holding capacity is measured with the spindle as close as possible to the handle, and will be less at the end of the clamping arm.

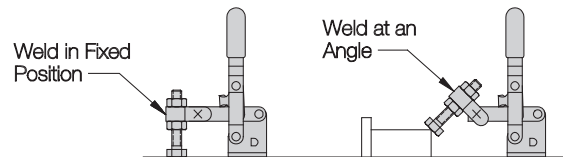


ARM TYPES

Open-arm hold-down clamps offer maximum flexibility and adjustability. Two flanged washers hold the spindle in place anywhere along the arm by tightening the jam nuts.



Solid-arm hold-down clamps are easily customized to a particular application. Using the weld-on bolt retainer, you can locate the spindle permanently in one place. The solid-arm version allows mounting the spindle at an angle, or shortening the clamping arm.



MATERIALS

STEEL

Steel clamps are made from various types including 1008, 1010, 1018, and other fine steels. Pivot pins on most clamp models are 400-series stainless steel for extra durability. Many pivot points have hardened steel bushes for long life. Forged steel components, such as those on toggle pliers and push/pull clamps, are made from high-carbon steel. Many push/pull clamp bases are made of nodular iron for wear resistance.

STAINLESS STEEL

Many toggle-clamp models are available in 300-series stainless steel. These corrosion-resistant clamps are useful in chemical environments, plating operations, food processing, salt-spray environments, medical equipment, electronics fixturing, EDM fixturing, and marine environments. Various stainless steel grades, including 303 and 304, are used. Clamps normally furnished with a flat-cushion spindle in the steel version are supplied with a stainless steel hex-head spindle. Other clamps are available in stainless steel as specials.

**ALL CARR LANE MANUFACTURING
TOGGLE CLAMPS
ARE PROUDLY
MADE IN USA**

TOGGLE CLAMPS

TYPES

All Carr Lane Manufacturing toggle clamps are DFARS and RoHS compliant.



HORIZONTAL-HANDLE

Most popular of all toggle clamps. Clamping weights from 100 to 1,000 lbs. Comfortable finger grip. Options include automatically adjusting, low arm, and extra wide opening. **See page 455.**



VERTICAL-HANDLE

Similar to clamps above, except this version has a vertical handle. Clamping weights from 100 to 1,200 lbs. and heavy duty versions offering clamping power from 750 to 6,000 lbs. **See page 465.**



PUSH/PULL

Push/pull clamps feature a plunger that advances and locks by moving the handle forward. Clamp can also be used for pulling instead of pushing. Clamping weights from 100 to 16,000 lbs. **See page 490.**



LATCH-ACTION

Latch action options include adjustable U Bolt, Right-Angle Adjustable U Bolt, Adjustable Hook, and fixed length. **See page 502.**



PLIERS

Forged steel provides strong clamping action. Clamping weights from 200 to 800 lbs. Includes permanently attached and Toggle Bar Clamps as options. **See page 510.**



AIR-POWERED

This clamp linkage is operated by a double-acting air cylinder instead of by hand. Provides high holding capacity and insures positive mechanical locking even if air pressure fails. **See page 515.**

SELECTION CHART

STYLE	CAPACITY									
	0-99	100-199	200-299	300-499	500-750	751-1000	1,000-1,499	1,500-1,999	2,000-5,000	5,001+
Horizontal Handle	X	X	X	X	X	X				
Heavy-Duty Horizontal Handle								X	X	X
Vertical Handle	X	X	X	X	X	X	X			
Heavy-Duty Vertical Handle						X	X	X	X	X
Vertical Handle, Cam Clamp							X			
Push/Pull		X	X	X	X	X		X	X	X
Latch				X	X		X		X	X
Pliers			X	X	X	X				
Air Powered		X	X		X	X	X		X	

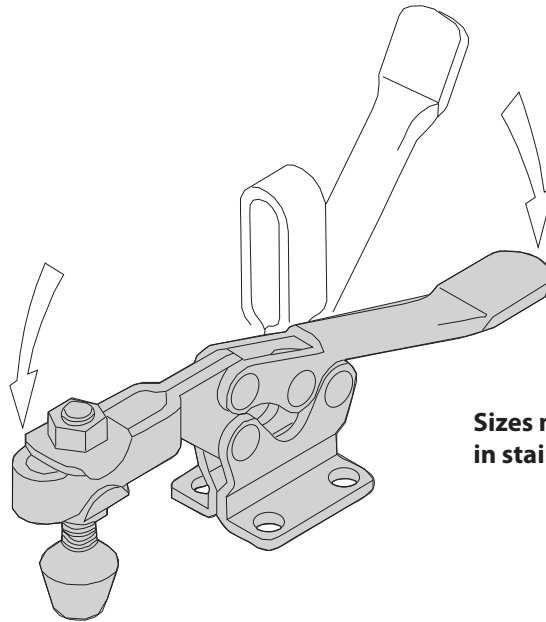
TOGGLE CLAMP CONVERSION CHART

Reference Part No.	Carr Lane Part No.	Reference Part No.	Carr Lane Part No.	Reference Part No.	Carr Lane Part No.	Reference Part No.	Carr Lane Part No.
AO-100*	CL-1000-PTC	202943*	CL-14112-SA-S	240208*	CL-38314-FC	503*	CL-320-HVTC
AO-1200*	CL-3000-PTC	205-S	CL-150-HTC	245-S	CL-600-HTC	503-B*	CL-310-HVTC
AO-200*	CL-1000-PTC	205-SB	CL-151-HTC	245-U	CL-650-HTC	503-LB*	CL-311-HVTC
AO-2000(HD)*	CL-3000-PTC	205-SL	CL-153-HTC	245943*	CL-12234-SA-S	505*	CL-520-HVTC
AO-400*	CL-2000-PTC	205-SR	CL-152-HTC	247-S	CL-750-VTC	505-B*	CL-510-HVTC
AO-800*	CL-2000-PTC	205-SSS	CL-150-HTC-S	247-SB	CL-751-VTC	505-LB*	CL-511-HVTC
C-800	CL-850-VTC	205-U	CL-250-HTC	247-U	CL-850-VTC	506*	CL-620-HVTC
GLBU1*	CL-111-HVTC	205-UB	CL-251-HTC	247-UB	CL-851-VTC	506-B*	CL-610-HVTC
GLBU1-AW-HW*	CL-101-HVTC	205-UL	CL-253-HTC	247109	CL-1213-TW	506-LB*	CL-611-HVTC
GLBU3*	CL-311-HVTC	205-UR	CL-252-HTC	247110	CL-113000-BR	507107	CL-51610-TW
GLBU3-AW-HW*	CL-301-HVTC	205-USS	CL-250-HTC-S	250*	CL-800-VTC	507206*	CL-516212-SF
GLBU5*	CL-511-HVTC	205105	CL-142000-BR	250-G	CL-800-VTC	507208	CL-516212-FC
GLBU5-AW-HW*	CL-501-HVTC	205203	CL-14112-SA	250121*	CL-113000-BR	507907	CL-51610-TW-S
GLBU6*	CL-611-HVTC	205943*	CL-83234-SA-S	250203	CL-58438-SA	509208	CL-516212-CC
GLBU6-AW-HW*	CL-601-HVTC	206-HSS*	CL-51-TC	250206*	CL-44-SSC	527208	CL-38314-FC
GU1*	CL-120-HVTC	206-SS*	CL-51-TC	258*	CL-801-VTC	548*	CL-501-HVTC
GU1-B*	CL-110-HVTC	207-L	CL-353-VTC	258-G	CL-801-VTC	578*	CL-601-HVTC
GU3*	CL-320-HVTC	207-LB*	CL-351-VTC	267	CL-950-VTC	588*	CL-601-HVTC
GU3-B*	CL-310-HVTC	207-LR*	CL-350-LVTC	267-U	CL-1050-VTC	6001-M	CLM-60-SPC
GU5*	CL-520-HVTC	207-S	CL-350-VTC	267102	CL-5811-TW	6001-MMS*	CLM-60-SPC
GU5-B*	CL-510-HVTC	207-SB	CL-351-VTC	301	CL-150-PA	601*	CL-50-SPC
GU6*	CL-620-HVTC	207-TL*	CL-352-VTC	301-SS	CL-150-PA-S	601-0*	CL-51-SPC
GU6-B*	CL-610-HVTC	207-TS	CL-352-VTC	305-U	CL-200-VTC	601-M*	CLM-50-SPC
H-100	CL-250-HTC	207-TU	CL-452-VTC	305-UR*	CL-200-LVTC	601-SS*	CL-50-SPC-S
H-200	CL-350-HTC	207-TUL*	CL-452-VTC	305-USS	CL-200-VTC-S	6015	CL-100-SPC
H-200(SS)	CL-350-HTC-S	207-U	CL-450-VTC	305203*	CL-316112-SA	6015-M	CLM-100-SPC
H-400*	CL-450-HTC	207-UB	CL-451-VTC	305208	CL-316112-CC	6015-MR	CLM-100-LSPC
H-400(B)	CL-450-HTC	207-UL	CL-453-VTC	307-U	CL-300-VTC	6015-MRSS*	CL-100-LSPC-S
H-400(SS)*	CL-450-HTC-S	207-ULB*	CL-451-VTC	307-UR*	CL-300-LVTC	6015-R	CL-100-LSPC
H-600	CL-550-HTC	207-UR*	CL-450-LVTC	307-USS	CL-300-VTC-S	6015-RSS	CL-100-LSPC-S
H-600(SS)	CL-550-HTC-S	207105	CL-518000-BR	309-U	CL-500-VTC	6015-SS	CL-100-SPC-S
LUP-1203	CL-450-PL	207203	CL-516212-SA	309-UR*	CL-500-LVTC	602	CL-150-TPC
LUP-800	CL-254-PL	207206	CL-14200-SF	309-USS	CL-500-VTC-S	602-M	CLM-150-TPC
LUP-800-2S	CL-254-PL-2	207943*	CL-516212-SA-S	311	CL-170-PA	602-SS	CL-150-TPC-S
P-1200	CL-250-PL	210-S	CL-550-VTC	317	CL-375-HTC	603*	CL-100-PC
P-1203	CL-450-PL	210-SB	CL-551-VTC	317-U	CL-475-HTC	603-M*	CLM-100-PC
P-400*	CL-50-PL	210-SR*	CL-550-LVTC	323*	CL-100-PA	603-MR	CL-100-LPC
P-400-1*	CL-50-PL	210-TS	CL-552-VTC	323-MSS*	CL-100-PA-S	603-R*	CL-100-LPC
P-400-2*	CL-50-PL-2	210-TU	CL-652-VTC	323-SS	CL-100-PA-S	604	CL-250-TPC
P-400-2S*	CL-50-PL-3	210-U	CL-650-VTC	324*	CL-110-PA	604-M	CLM-250-TPC
P-800	CL-254-PL	210-UB	CL-651-VTC	324-SS*	CL-110-PA-S	604-SS	CL-250-TPC-S
P-800-2S	CL-254-PL-2	210-UR*	CL-650-LVTC	325	CL-325-PL-S	604106	CL-250-TPCA
PCH-101	CL-250-PA	210-USS	CL-650-VTC-S	325-SS	CL-325-PL-S	605	CL-150-SPC
PCH-101(SS)	CL-250-PA-S	210114	CL-316000-BR	325203*	CL-12314-SA	605-M	CLM-150-SPC
PCH-200	CL-250-PA	210203*	CL-38314-SA	331*	CL-200-PA	607*	CL-350-SPC
PH & PL-1600	CL-250-PL	210206	CL-38314-SF	331-R*	CL-200-LPA	608	CL-200-PC
S-100	CL-251-VTC	210208	CL-38314-CC	331-R-SS*	CL-200-LPA-S	610*	CL-250-SPC
S-200*	CL-451-VTC	211208*	CL-14200-CC	331-SS*	CL-200-PA-S	610-M*	CLM-250-SPC
S-400*	CL-651-VTC	213-U*	CL-260-HTC	334*	CL-210-PA	620*	CL-275-SPC
T-100	CL-252-VTC	213-USS*	CL-260-HTC-S	334-SS*	CL-210-PA-S	620-M*	CLM-275-SPC
T-200	CL-452-VTC	213208	CL-14200-CC	341*	CL-300-PA	624	CL-350-TPC
T-400	CL-652-VTC	213943	CL-832203-SA-S	341-R*	CL-300-LPA	624-M	CLM-350-TPC
V-100	CL-250-VTC	215-S	CL-300-HTC	341-R-SS*	CL-300-LPA-S	624-SS	CL-350-TPC-S
V-100(SS)	CL-250-VTC-S	215-U	CL-350-HTC	341-SS*	CL-300-PA-S	628*	CL-276-SPC
V-1200*	CL-1050-VTC	215-UB	CL-351-HTC	344*	CL-310-PA	630	CL-350-SPC
V-200*	CL-453-VTC	215-USS	CL-350-HTC-S	344-SS*	CL-310-PA-S	630-M	CLM-350-SPC
V-200(SS)*	CL-450-VTC-S	215105*	CL-148-TW	345	CL-345-PL	630-MR*	CL-350-LPC
V-400*	CL-650-VTC	215208	CL-14200-FC	345100	CL-345-PLA	630-M	CL-350-LPC
V-400(SS)*	CL-650-VTC-S	215905*	CL-148-TW-S	351	CL-250-PA	640*	CL-450-SPC
VC-200*	CL-350-VTC	217-U*	CL-350-HTC	351-B	CL-251-PA	640-M*	CLM-450-SPC
VC-400*	CL-550-VTC	217-USS*	CL-350-HTC-S	351-R*	CL-257-PA	650	CL-650-SPC
102111	CL-3166-TW	220	CL-600-VTC	351-SS	CL-250-PA-S	650-M	CLM-650-SPC
102208	CL-832208-FC	220203	CL-12314-SA	375	CL-400-PA	7-59	CL-1000-VCC
102911	CL-3166-TW-S	220208*	CL-38314-CC	375-R	CL-400-LPA	802*	CL-500-PTC
105106	CL-832-TW	225-U	CL-450-HTC	381	CL-350-PA	803*	CL-1500-PPC
105203	CL-832203-SA	225-UB	CL-451-HTC	385	CL-500-PA	807-L*	CL-1001-PTC
105208*	CL-832208-FC	225-UR*	CL-451-HTC	385-R	CL-500-LPA	807-LH/T*	CL-1001-PTCH
105906	CL-832-TW-S	225-USS	CL-450-HTC-S	385102	CL-500-PAA	807-UL*	CL-1000-PTC
110122	CL-511000-BR	225208	CL-518208-FC	424	CL-50-PL	807-ULH/T*	CL-1000-PTCH
201	CL-150-VTC	227-U*	CL-450-HTC	424-2	CL-50-PL-2	810-S*	CL-2001-PTC
201-B	CL-151-VTC	227-USS*	CL-450-HTC-S	424208	CL-14208-SA	810-U*	CL-2000-PTC
201-SS	CL-150-VTC-S	227943*	CL-516212-SA-S	431208	CL-14100-SA	812*	CL-400-PTC
201-T	CL-152-VTC	228	CL-601-VTC	441	CL-150-PL	816*	CL-600-PPC
201208	CL-316112-FC	235-U	CL-550-HTC	441203*	CL-516212-SA	847-S*	CL-2001-PTC
201943	CL-316100-SA-S	235-UB	CL-551-HTC	462	CL-254-PL	847-U*	CL-2000-PTC
202	CL-250-VTC	235-UR*	CL-550-HTC	462-2	CL-254-PL-2	858*	CL-3000-PTC
202-B	CL-251-VTC	235-USS	CL-550-HTC-S	463	CL-454-PL	870*	CL-1011-POC
202-SS	CL-250-VTC-S	235106	CL-3811-TW	468	CL-254-PL	871*	CL-1010-POC
202-T	CL-252-VTC	235906	CL-3811-TW-S	468206*	CL-38314-SF	902*	CL-516212-SL
202-U*	CL-253-VTC	237-U*	CL-550-HTC	474	CL-454-PL	904*	CL-38314-SL
202-USS	CL-253-VTC-S	237-USS*	CL-550-HTC-S	486*	CL-550-PL		
202203*	CL-14200-SA	237943*	CL-38314-SA-S	501*	CL-120-HVTC		
202208	CL-14112-FC	240203*	CL-38314-SA	501-B*	CL-110-HVTC		

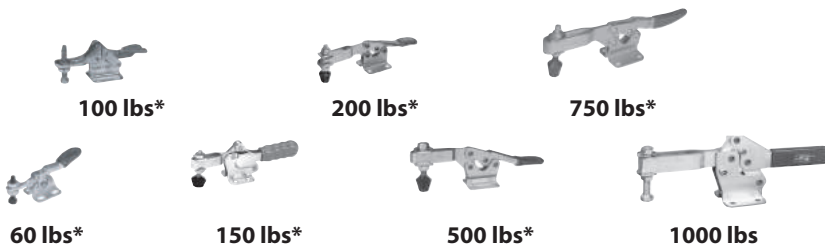
* Functionally equivalent, but differs in some dimension and/or specification. Please check catalog before ordering.

11

HORIZONTAL-HANDLE TOGGLE CLAMPS



Sizes marked * are also available in stainless steel.



100 lbs*

200 lbs*

750 lbs*

60 lbs*

150 lbs*

500 lbs*

1000 lbs

Standard HTC Design pp. 456-461

Most-popular and widest-range series of horizontal-handle hold-down clamps. Available in seven sizes, the smaller ones with a comfortable finger grip. Most sizes are available with either a flanged base or a straight base. Choice of solid arm, or open arm for spindle adjustment.



750 lbs

Automatically Adjusting p. 462

Self-adjusting clamp automatically compensates for different workpiece heights without resetting the spindle. Clamping force is always consistent after setting once.



250 lbs



625 lbs



850 lbs

Low-Arm TC Design p. 463

Simple, classic-design horizontal-handle clamps. Available in three sizes, with either a flanged base or a straight base.



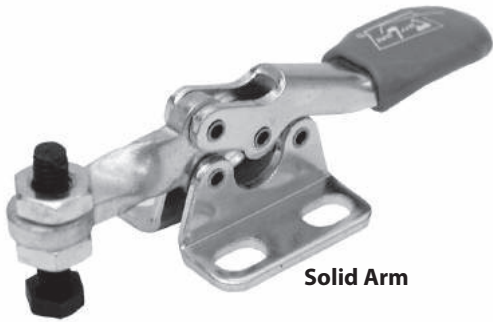
375 lbs

Extra-Wide Opening p. 464

Arm opens a full 185° for maximum loading clearance. Unique up-then-down handle motion. Handle locks at a 60° downward angle. Dual flanged bases allow mounting on either horizontal or vertical surfaces. Choice of solid arm, or open arm for spindle adjustment.

HORIZONTAL-HANDLE TOGGLE CLAMPS

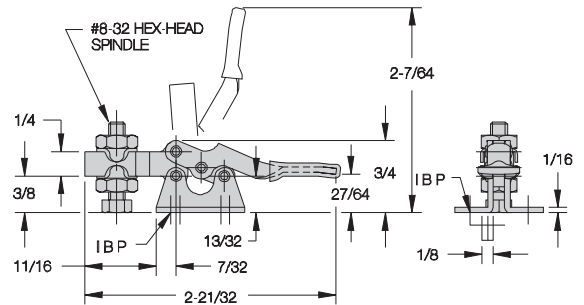
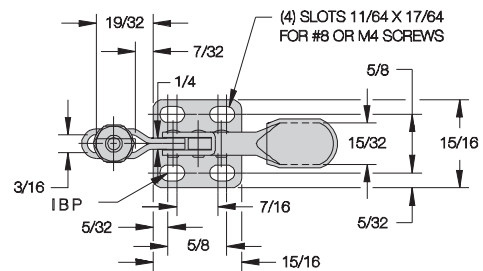
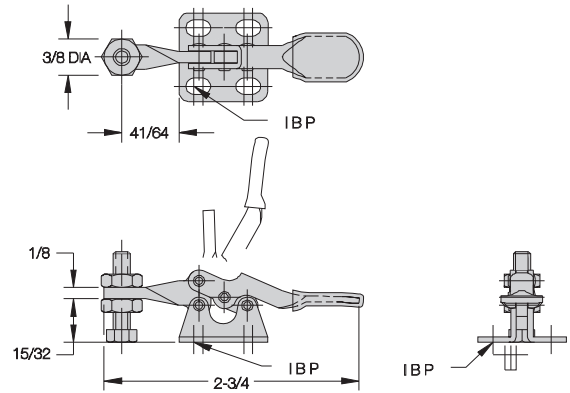
INFO+: SEE PAGE 452 FOR MATERIAL SPECIFICATIONS



Solid Arm



Open Arm



CL-150-HTC CL-250-HTC

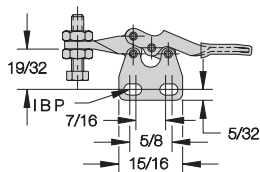
Solid Arm, Flanged Base

Open Arm, Flanged Base

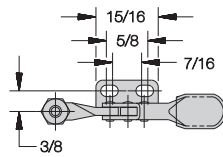
Smallest hold-down clamp available. Choose either a solid arm, or an open arm for spindle adjustment. Arm opens 90° while handle moves 80°. Supplied with #8-32 nylon hex-head spindle CL-832203-SA. Open-arm versions also include (2) CL-832-TW flanged washers. Shipping weight 0.1 lbs.

Holding capacity:

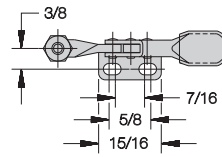
60 lbs



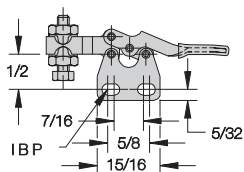
CL-151-HTC
Solid Arm
Straight Base



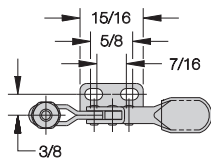
CL-152-HTC
Solid Arm
Right Flange



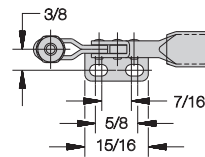
CL-153-HTC
Solid Arm
Left Flange



CL-251-HTC
Open Arm
Straight Base



CL-252-HTC
Open Arm
Right Flange



CL-253-HTC
Open Arm
Left Flange

Also available in stainless steel . . .



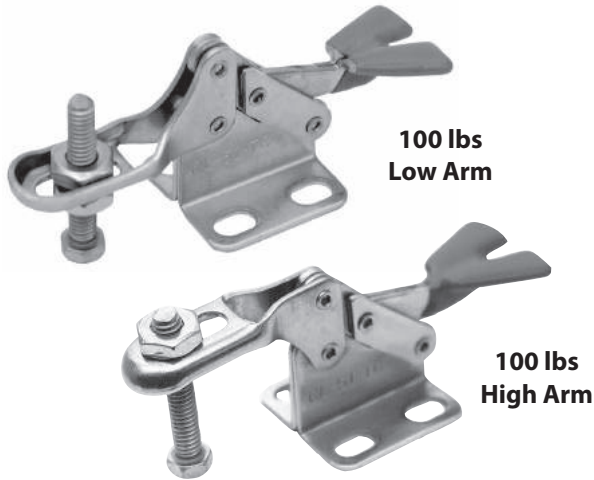
CL-150-HTC-S



CL-250-HTC-S

HORIZONTAL-HANDLE TOGGLE CLAMPS

INFO+: SEE PAGE 452 FOR MATERIAL SPECIFICATIONS



**100 lbs
Low Arm**

**100 lbs
High Arm**

CL-51-TC CL-53-TC

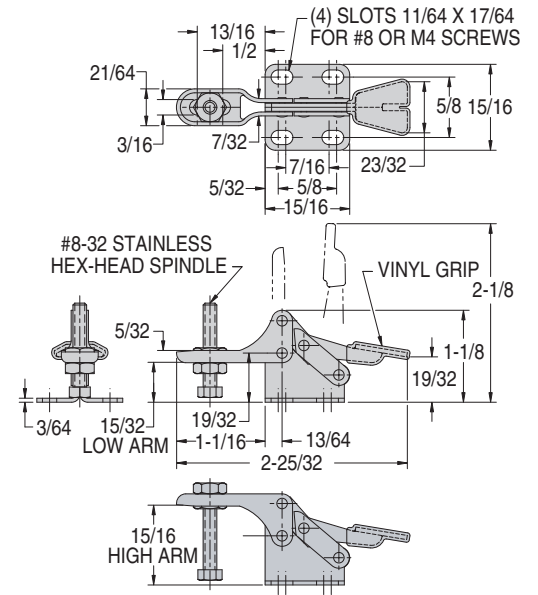
Low Arm, Flanged Base

High Arm, Flanged Base

Miniature stainless steel clamp with open arm for spindle adjustment. Perfect for electronics fixturing and other light-duty application. Arm opens 90° while handle moves 90°. Supplied with #8-32 stainless hex-head spindle CL-832203-SA-S. Shipping weight 0.1 lbs.

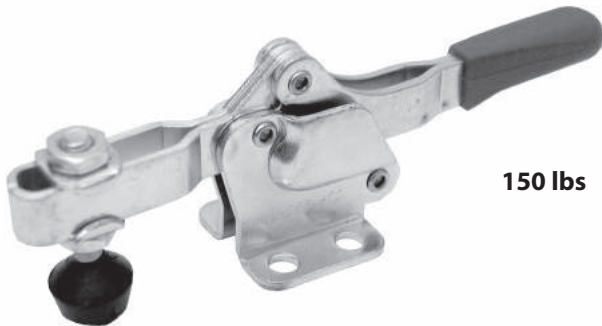
Holding capacity:

100 lbs



HORIZONTAL-HANDLE TOGGLE CLAMPS

INFO+: SEE PAGE 452 FOR MATERIAL SPECIFICATIONS



150 lbs

CL-260-HTC

Open Arm, Flanged Base

An extremely powerful clamp for its small size. Open arm allows spindle adjustment. Arm opens 90° while handle moves 75°. Supplied with #10-32 flat-cushion spindle CL-316112-FC and (2) CL-3166-TW flanged washers. Shipping weight 0.2 lbs.

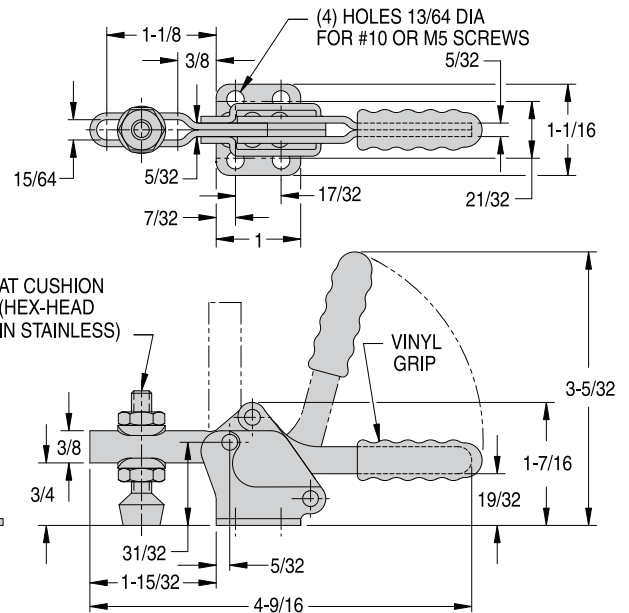
Holding capacity:

150 lbs

Also available in stainless steel . . .

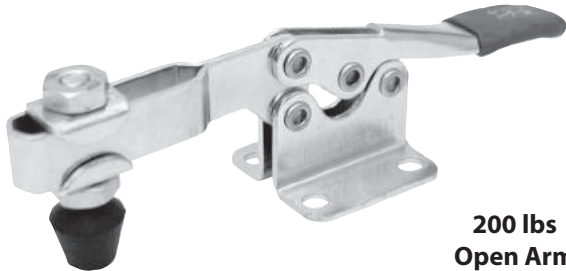


CL-260-HTC-S



HORIZONTAL-HANDLE TOGGLE CLAMPS

INFO+: SEE PAGE 452 FOR MATERIAL SPECIFICATIONS

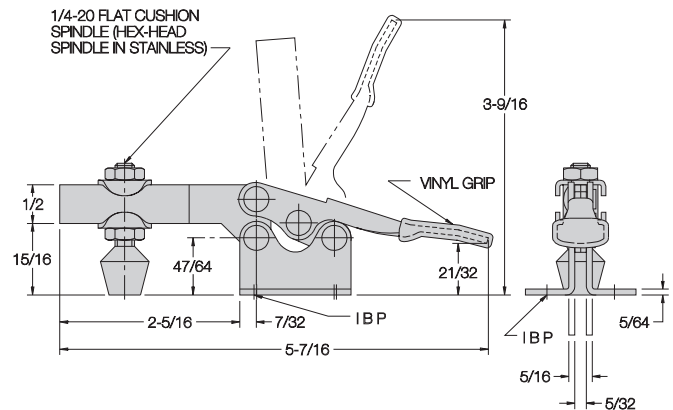
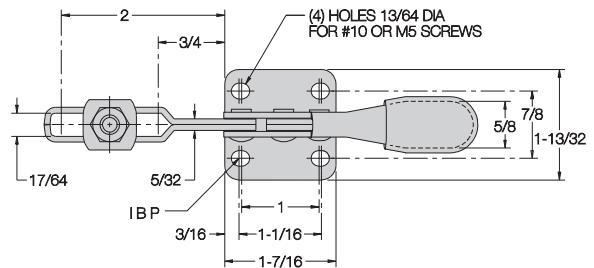


**200 lbs
Open Arm**

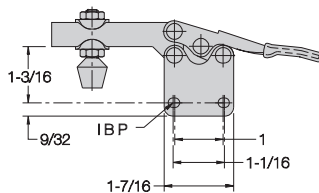
CL-350-HTC Open Arm, Flanged Base

Popular medium-duty clamp with an open arm for spindle adjustment. Arm opens 86° while handle moves 60°. Supplied with 1/4-20 short flat-cushion spindle CL-14112-FC and (2) CL-147-TW flanged washers. Shipping weight 0.3 lbs.

Holding capacity: 200 lbs



11



**CL-351-HTC
Open Arm
Straight Base**

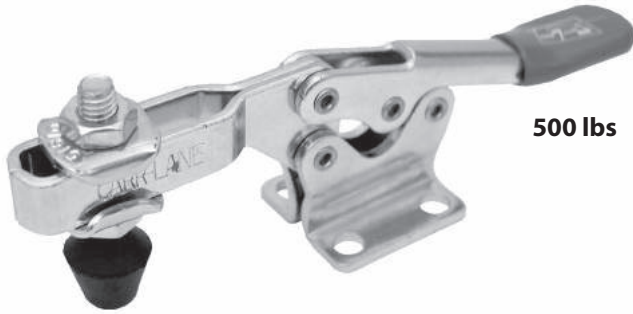
Also available in stainless steel . . .



CL-350-HTC-S

HORIZONTAL-HANDLE TOGGLE CLAMPS

INFO+: SEE PAGE 452 FOR MATERIAL SPECIFICATIONS

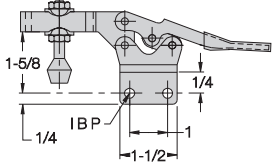


500 lbs

CL-450-HTC Open Arm, Flanged Base

Strong-yet-compact horizontal-handle clamp, with open arm for spindle adjustment. Arm opens 90° while handle moves 65°. Supplied with 5/16-18 short flat-cushion spindle CL-518208-FC and (2) CL-51610-TW flanged washers. Shipping weight 0.6 lbs.

Holding capacity: 500 lbs

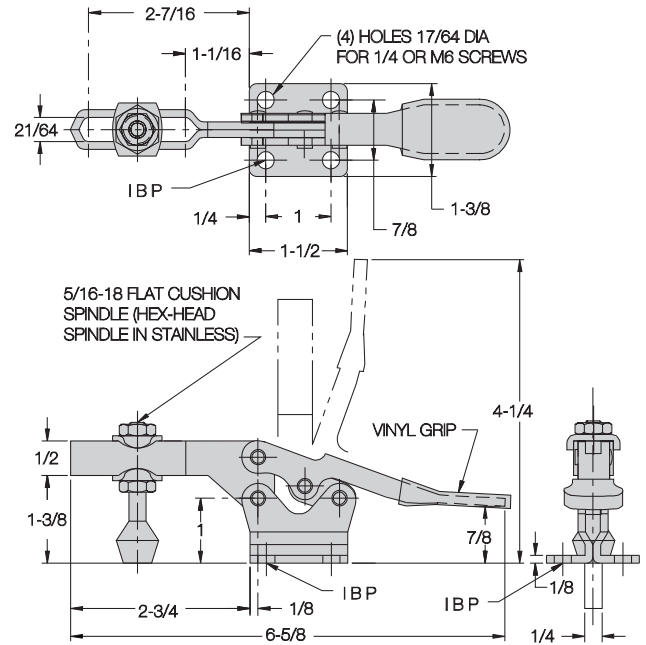


CL-451-HTC
Straight Base

Also available in stainless steel ...

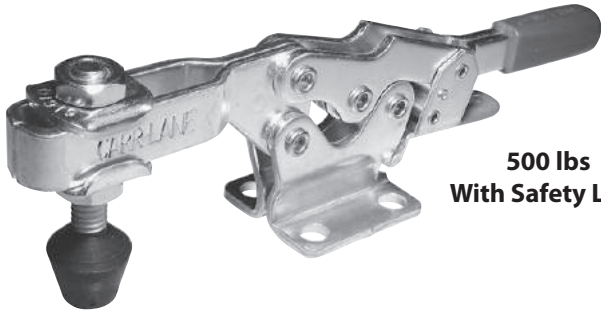


CL-450-HTC-S



HORIZONTAL-HANDLE TOGGLE CLAMPS

INFO+: SEE PAGE 452 FOR MATERIAL SPECIFICATIONS

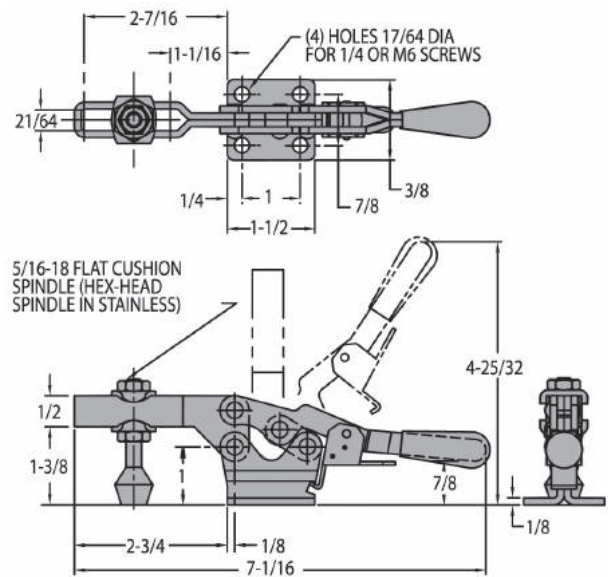
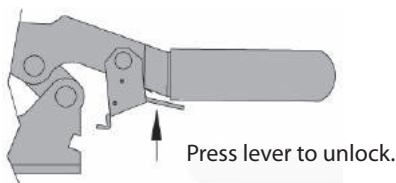


500 lbs
With Safety Lock

CL-450-LHTC Open Arm, Flanged Base

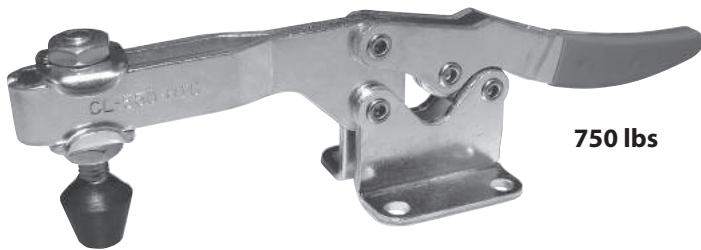
Same as the toggle clamp shown above, except with our unique safety-lock feature. This safety lock automatically engages when the clamp is closed, then remains locked until manually disengaged by pressing the lever before opening. This prevents the clamp from being accidentally opened by bumping the handle. Shipping weight 0.7 lbs.

Holding capacity: 500 lbs



HORIZONTAL-HANDLE TOGGLE CLAMPS

INFO+: SEE PAGE 452 FOR MATERIAL SPECIFICATIONS

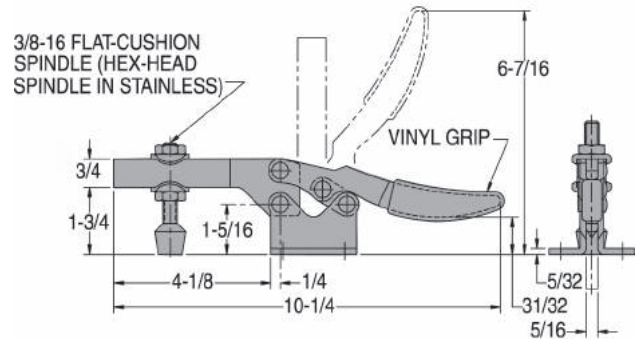
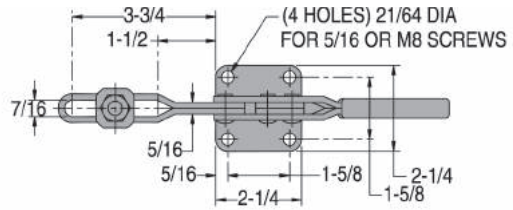


750 lbs

CL-550-HTC Open Arm, Flanged Base

Heavy-duty clamp with open arm for spindle adjustment. Arm opens 90° while handle moves 55°. Supplied with 3/8-16 short flat-cushion spindle CL-38212-FC and (2) CL-3811-TW flanged washers. Shipping weight 1.5 lbs.

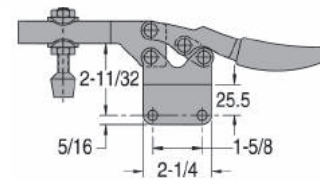
Holding capacity: 750 lbs



Also available in stainless steel . . .



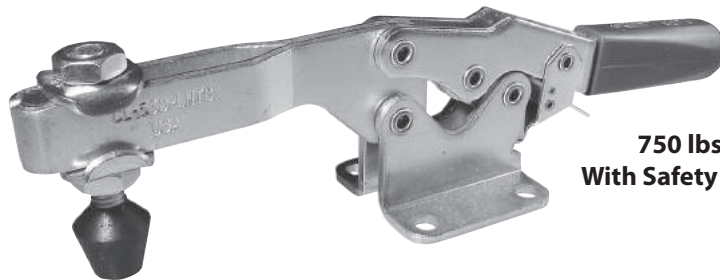
CL-551-HTC-S



CL-551-HTC
Straight Base

HORIZONTAL-HANDLE TOGGLE CLAMPS

INFO+: SEE PAGE 452 FOR MATERIAL SPECIFICATIONS

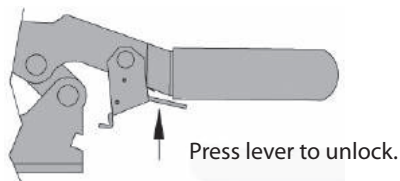
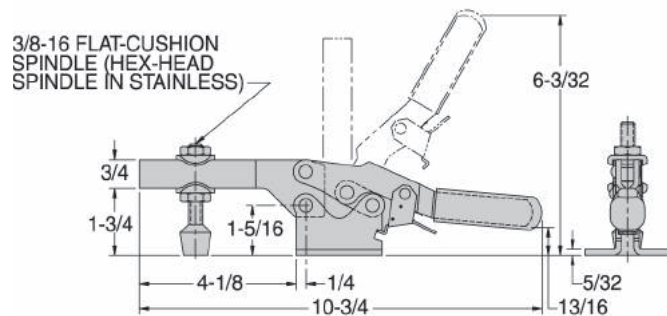
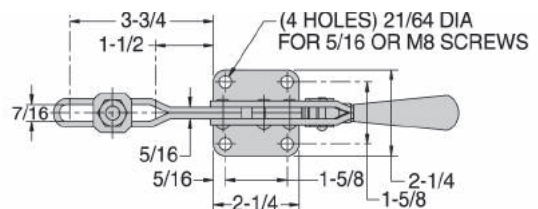


750 lbs
With Safety Lc

CL-550-LHTC Open Arm, Flanged Base

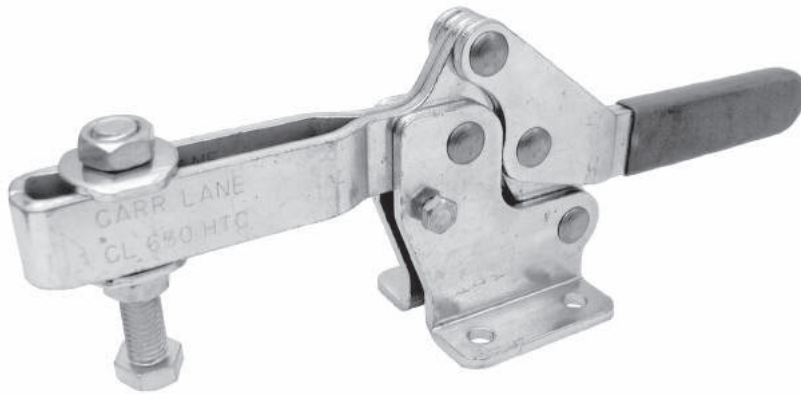
Same as the toggle clamp shown above, except with our unique safety-lock feature. This safety lock automatically engages when the clamp is closed, then remains locked until manually disengaged by pressing the lever before opening. This prevents the clamp from being accidentally opened by bumping the handle. Shipping weight 1.6 lbs.

Holding capacity: 750 lbs



HORIZONTAL-HANDLE TOGGLE CLAMPS

INFO+: SEE PAGE 452 FOR MATERIAL SPECIFICATIONS



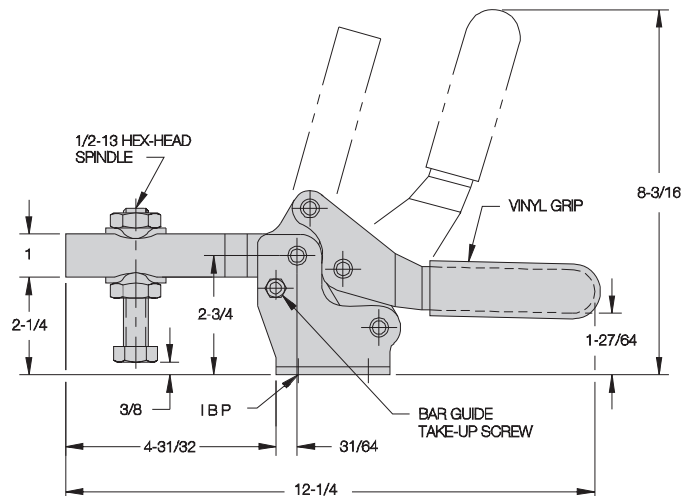
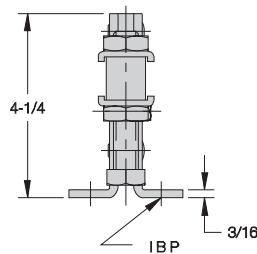
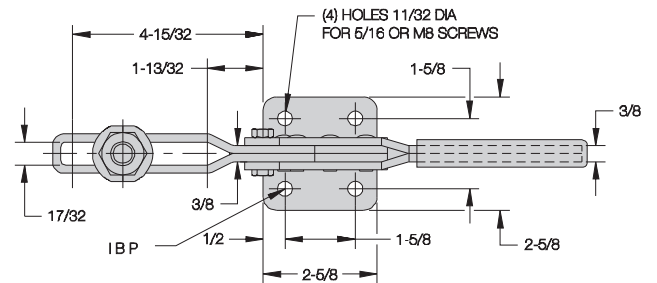
**1000 lbs
Open Arm**

CL-650-HTC Open Arm, Flanged Base

Largest and strongest horizontal-handle hold-down clamp with an open arm for spindle adjustment. Arm opens a wide 105° while handle moves 75°. Supplied with 1/2-13 hex-head spindle CL-12314-SA and (2) CL-1213-TW flanged washers. Shipping weight 3.3 lbs.

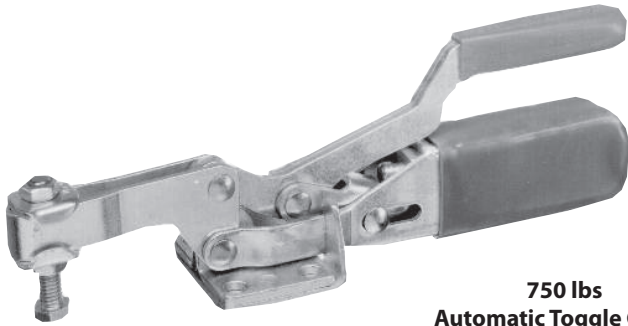
Holding capacity:

1000 lbs



HORIZONTAL-HANDLE TOGGLE CLAMPS

INFO+: SEE PAGE 452 FOR MATERIAL SPECIFICATIONS



**750 lbs
Automatic Toggle Clamp
(Self Adjusting)**

CL-550-AHTC

Automatically adjusts for different workpiece thicknesses! Clamps with the same, repeatable force anywhere within its 1/2" automatic-adjustment range. Perfect for welding fixtures, machining fixtures for castings, fixtures holding several part sizes within the same family, or any other application where part size can vary.

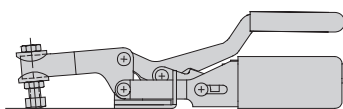
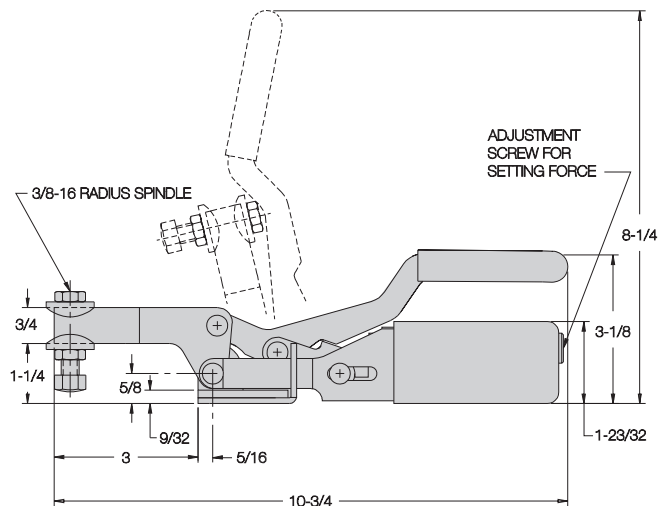
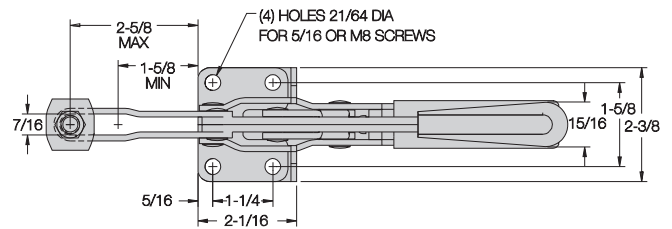
Easy to use. To set up, simply adjust the contact spindle to the average workpiece height, and set desired clamping force once. After that, operate just like a standard toggle clamp. The patented adjusting mechanism does the rest.

Clamping force is always consistent. The clamp's toggle action ensures that workpieces will remain clamped even under severe vibration. No additional spindle adjustment is ever needed. The clamp even compensates for wear in long production runs.

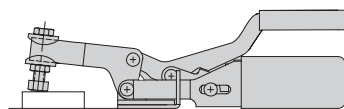
Fits in the same space, and provides the same clamping force as a standard toggle clamp. A maximum of 250 to 500 lbs clamping force (depending on spindle position) can be applied by hand. Arm opens 87° while handle moves 80°. Supplied with 3/8-16 radius spindle CL-38200-RS and (2) CL-3811-TW flanged washers. **Patent no. 4,407,493.** Shipping weight 1.9 lbs.

Holding capacity:

750 lbs



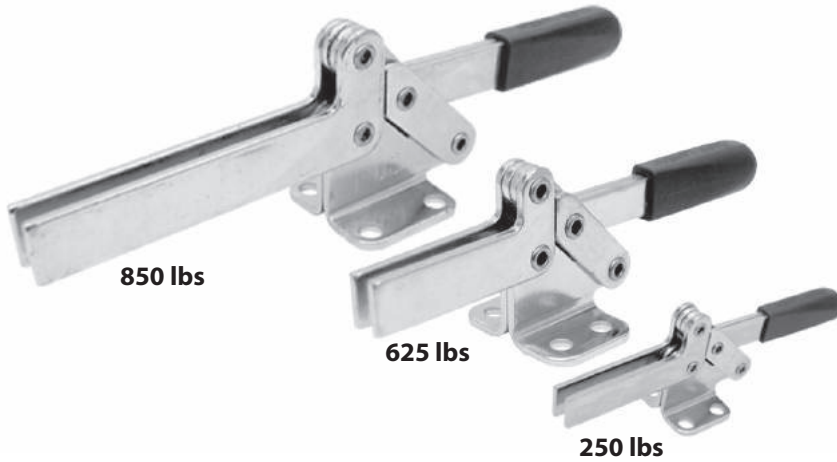
**Low Limit
-1/4"**



**High Limit
+1/4"**

HORIZONTAL-HANDLE TOGGLE CLAMPS

INFO+: SEE PAGE 452 FOR MATERIAL SPECIFICATIONS



Classic-design horizontal-handle clamps with open arm for spindle adjustment. Arm opens 90° while handle moves 90°. Available in three sizes.

CL-151-TC **Open Arm, Flanged Base**
Smallest-size clamp. Accepts any #10-32 spindle and (2) CL-3166-TW flanged washers. For fixed spindle location, use a 1/4-20 spindle and a CL-1458-S bolt retainer. **INFO+**: See pages 522-526 to order. Shipping weight 0.4 lbs.

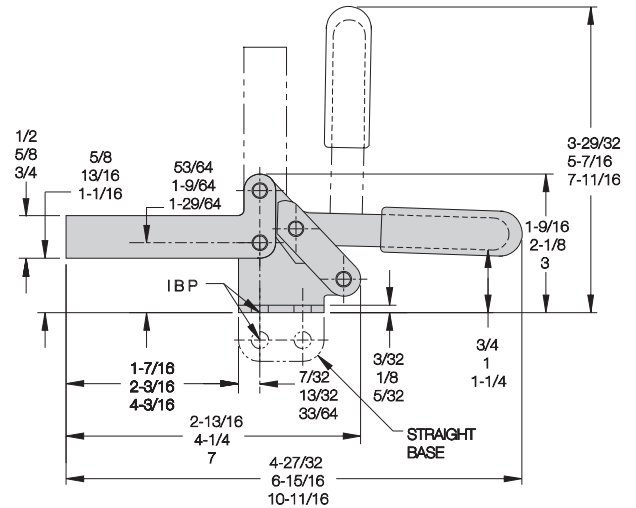
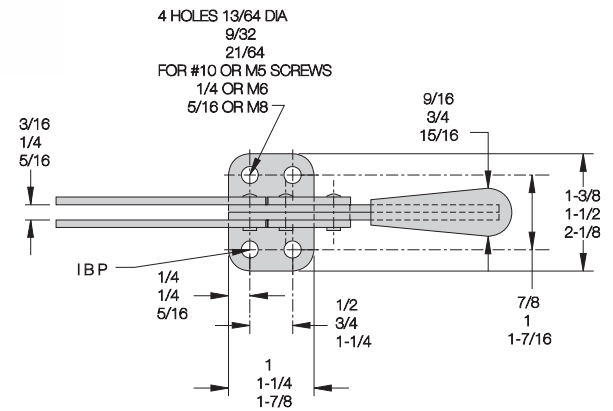
Holding capacity: 250 lbs

CL-251-TC **Open Arm, Flanged Base**
Medium-size clamp. Accepts any 1/4-20 spindle and (2) CL-148-TW flanged washers. For fixed spindle location, use a CL-1458-S bolt retainer. **INFO+**: See pages 522-526 to order. Shipping weight 0.5 lbs.

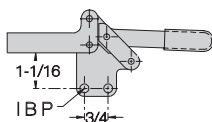
Holding capacity: 625 lbs

CL-351-TC **Open Arm, Flanged Base**
Largest-size clamp. Accepts any 5/16-18 spindle and (2) CL-51610-TW flanged washers. For fixed spindle location, use a CL-51658-S bolt retainer. **INFO+**: See pages 522-526 to order. Shipping weight 1.4 lbs.

Holding capacity: 850 lbs



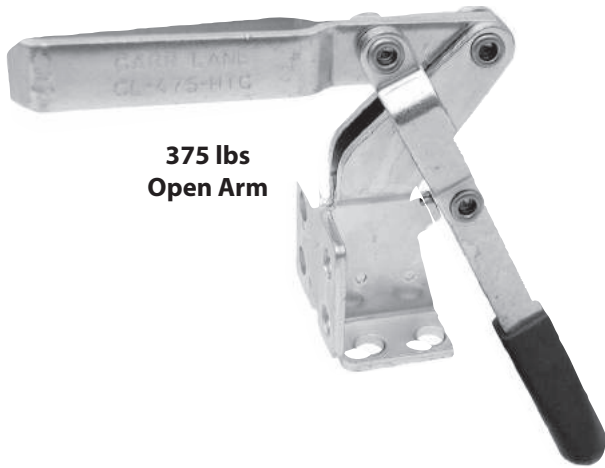
CL-151-TC (Top dimension)
CL-251-TC (Middle dimension)
CL-351-TC (Bottom dimension)



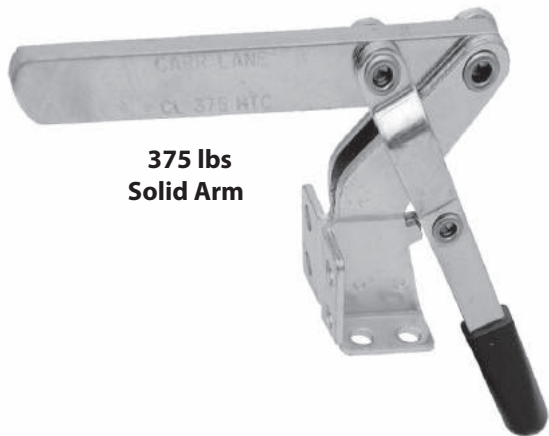
CL-252-TC
Straight Base
625 lbs

HORIZONTAL-HANDLE TOGGLE CLAMPS

INFO+: SEE PAGE 452 FOR MATERIAL SPECIFICATIONS



**375 lbs
Open Arm**



**375 lbs
Solid Arm**

CL-375-HTC CL-475-HTC

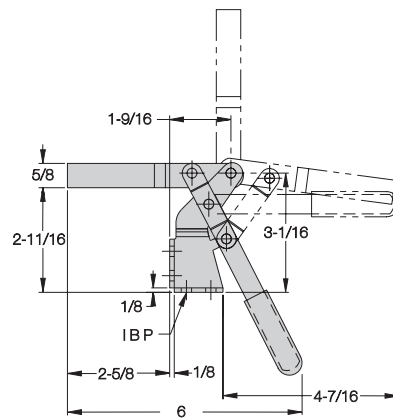
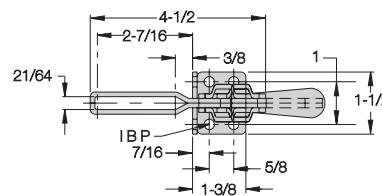
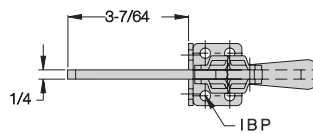
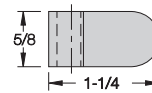
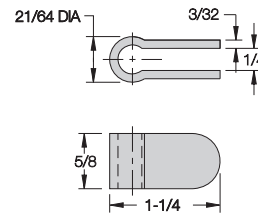
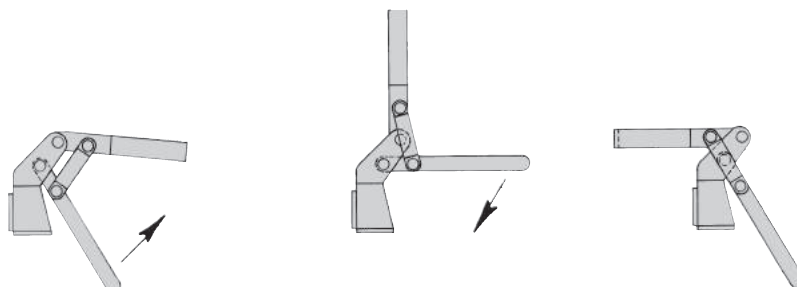
Solid Arm

Open Arm

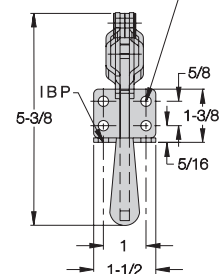
Extra-wide-opening clamp with handle that locks at a downward angle. Unique up-then-down handle motion opens arm a full 185°. Dual flanged bases allow mounting on either horizontal or vertical surfaces. Available with a solid arm, or an open arm for spindle adjustment. Accepts all 5/16-18 spindles. **INFO+**: See pages 522-526 to order. Solid-arm version supplied with a CL-518000-BR bolt retainer. Open-arm version supplied with (2) CL-51610-TW flanged washers. Shipping weight 0.8 lbs.

Holding capacity:

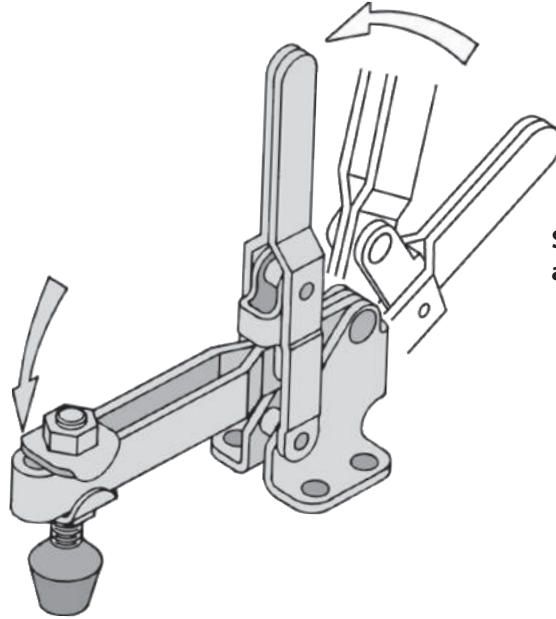
375 lbs



(8) HOLES 17/64 DIA FOR 1/4 OR M6 SCREWS



VERTICAL-HANDLE TOGGLE CLAMPS



Sizes marked * are also available in stainless steel



100 lbs*



200 lbs*



500 lbs*



750 lbs*



1000 lbs



1200 lbs

Wide Opening pp. 467-476

Clamping arm opens past 90° for excellent loading clearance. Most-popular and widest-range series of vertical-handle hold-down clamps. Choice of flanged or straight base, solid or open arm, and regular or T handle in most of the seven available sizes.



750 lbs



1000 lbs

Wide Opening – Angle Arm p. 477

Clamps with arm tilted upward for increased clearance underneath. Also useful for applying clamping force at an angle. Wide-opening solid arm. Choice of flanged base or straight base. Available in two sizes.



750 lbs

Wide Opening Automatically Adjusting p. 479

Self-adjusting clamp automatically compensates for different workpiece heights without resetting the spindle. Clamping force is always consistent. Wide opening.



750 lbs



2000 lbs



3000 lbs



6000 lbs

Wide Opening – Heavy-Duty pp. 480-483

Heavy-duty production clamps designed for extreme durability. Available either as complete clamps or as basic mechanisms for adding custom clamping arms or handles. Choice of four sizes.

CONTINUED ON NEXT PAGE

VERTICAL-HANDLE TOGGLE CLAMPS

CONTINUED FROM PREVIOUS PAGE



150 lbs*



350 lbs*



750 lbs*

Low Profile pp. 484-485

Extremely compact low-profile clamps with a unique finger-grip T handle. Available in three sizes.



100 lbs*



250 lbs



625 lbs



850 lbs

Low Arm pp. 486, 488

Simple, easy-opening clamps with excellent arm reach. Extends farther over workpiece than any clamp its size. Choice of flanged or straight base, and solid or open arm. Arm opens 83°. Available in seven sizes, the largest three forged.



1500 lbs



2500 lbs



5000 lbs



100 lbs*



250 lb



625 lbs



850 lbs

High Arm pp. 487, 489

Simple, easy-opening clamps with extra arm height. Choice of flanged or straight base, and solid or open arm. Arm opens 83°. Available in seven sizes, the largest three forged.



1500 lbs



2500 lbs



5000 lbs



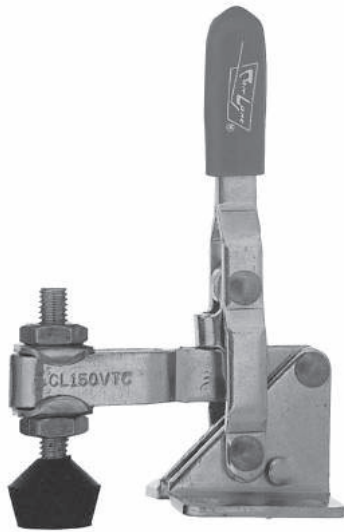
1000 lbs

Vertical Handle Cam Clamps p. 493

Wide-opening clamp that locks by spiral-cam action rather than toggle action. Solid arm, flanged base.

VERTICAL-HANDLE TOGGLE CLAMPS

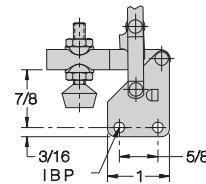
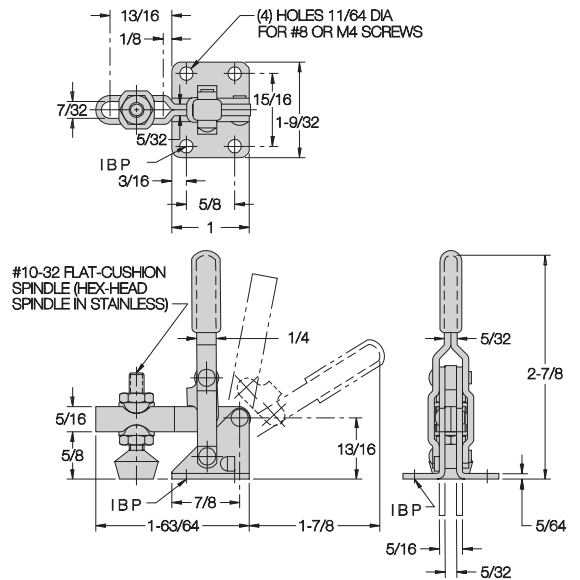
INFO+: SEE PAGE 452 FOR MATERIAL SPECIFICATIONS



CL-150-VTC Open Arm, Flanged Base

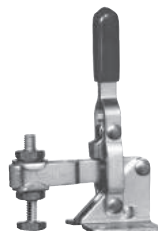
Smallest wide-opening hold-down clamp available. Open arm provides adjustable spindle location. Arm opens 100° while handle moves 56°. Supplied with #10-32 flat-cushion spindle CL-316112-FC and (2) CL-3166-TW flanged washers. Shipping weight 0.2 lbs.

Holding capacity: 100 lbs



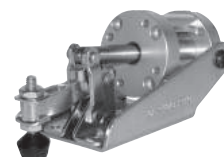
CL-151-VTC Straight Base

Also available in stainless steel...



CL-150-VTC-S

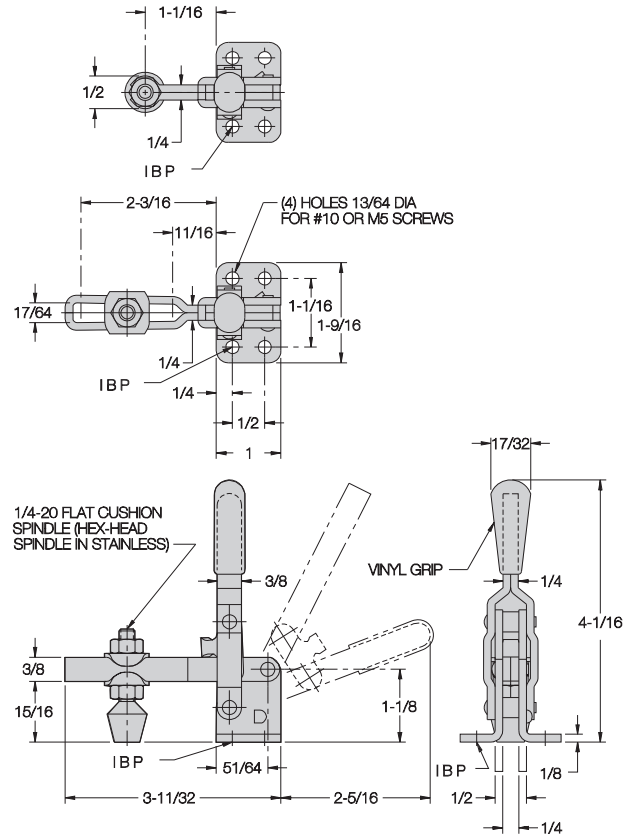
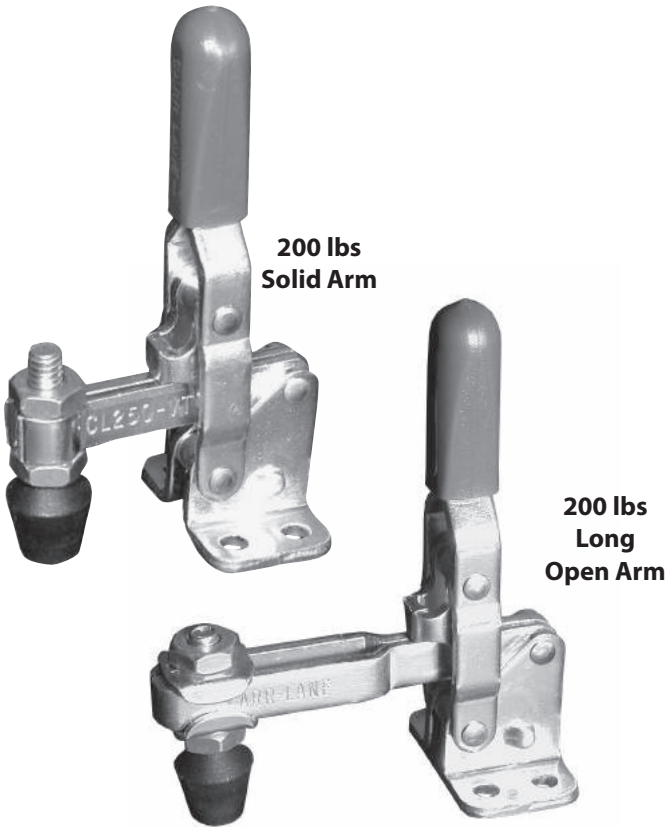
Also available air powered...



CL-400-PTC (INFO+ page 516)

VERTICAL-HANDLE TOGGLE CLAMPS

INFO+: SEE PAGE 452 FOR MATERIAL SPECIFICATIONS



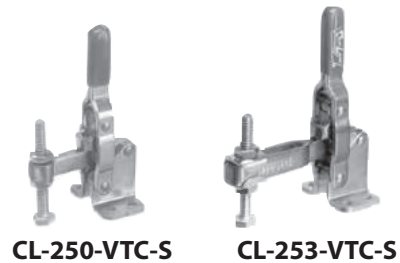
CL-250-VTC Solid Arm, Flanged Base

CL-253-VTC Open Arm, Flanged Base

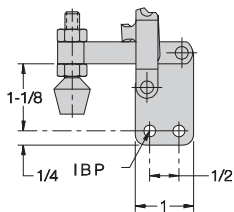
Small-yet-powerful clamp available in several configurations. Choose either a solid arm, or a long open arm for spindle adjustment. Arm opens 117° while handle moves 69°. Supplied with 1/4-20 short flat-cushion spindle CL-14112-FC. Open-arm version supplied with (2) CL-148-TW flanged washers. Shipping weight 0.4 lbs.

Holding capacity: 200 lbs

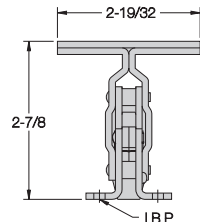
Also available in stainless steel . . .



Also available air powered . . .



CL-251-VTC
Solid Arm
Straight Base



CL-252-VTC
Solid Arm
Flanged Base
T Handle

VERTICAL-HANDLE TOGGLE CLAMPS

INFO+: SEE PAGE 452 FOR MATERIAL SPECIFICATIONS

**200 lbs
Solid Arm
With Safety Lock**



**200 lbs
Long Open Arm
With Safety Lock**



CL-250-LVTC CL-253-LVTC

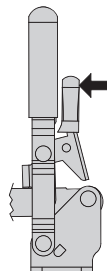
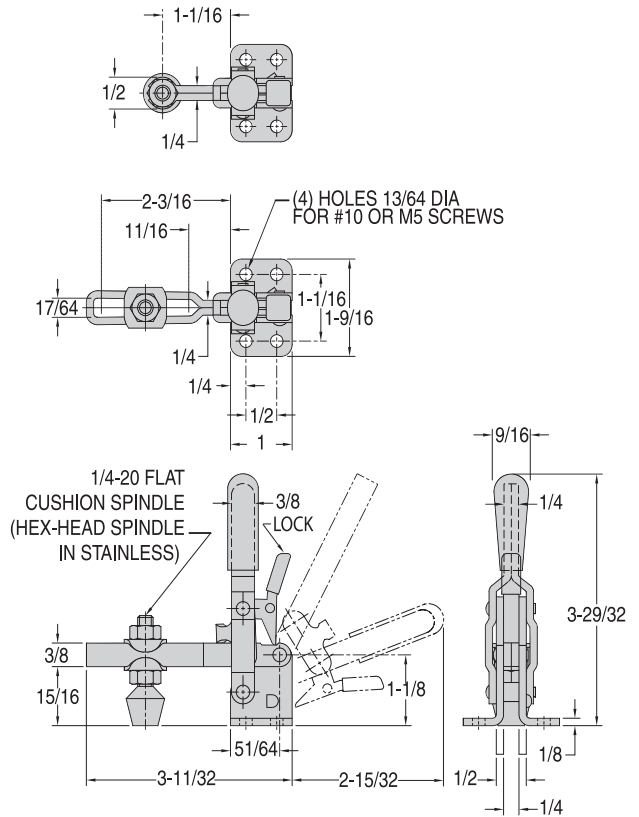
Solid Arm, Flanged Base
Long, Open Arm, Flanged Base

INFO+: Same as the wide-opening toggle clamps shown on page 468, except with our unique safety-lock feature. This safety lock automatically engages when the clamp is closed, then remains locked until manually disengaged by pressing the handle. This prevents the clamp from being accidentally opened by bumping the handle.

Choose either a solid arm, or a long open arm for spindle adjustment. Arm opens 117° while handle moves 69°. Supplied with 1/4-20 short flat-cushion spindle CL-14112-FC. Open-arm version supplied with (2) CL-148-TW flanged washers. Shipping weight 0.4 lbs.

Holding capacity:

200 lbs



Press Lever To Unlock

VERTICAL-HANDLE TOGGLE CLAMPS

INFO+: SEE PAGE 452 FOR MATERIAL SPECIFICATIONS



**500 lbs
Solid Arm**



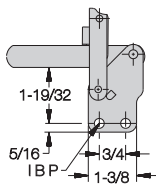
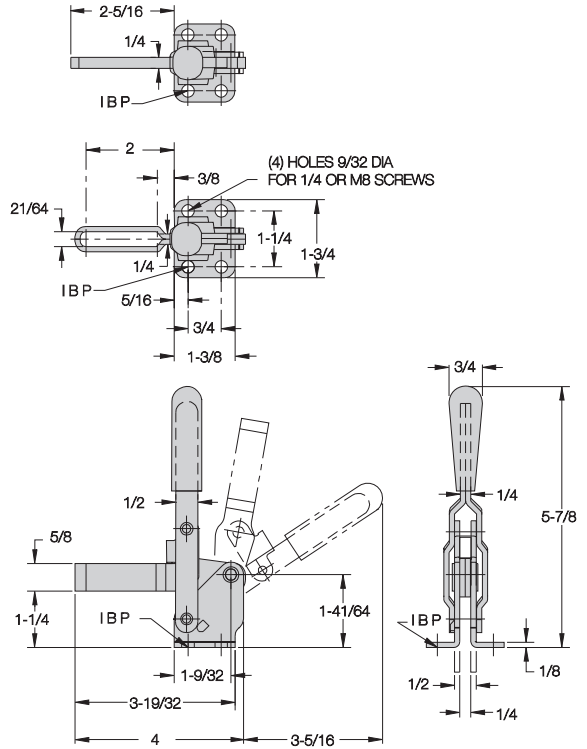
**500 lbs
Open Arm**

CL-350-VTC CL-450-VTC

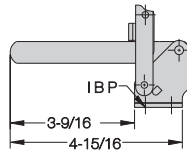
**Solid Arm, Flanged Base
Open Arm, Flanged Base**

Most-popular wide-opening clamp available in many configurations. Choose either a solid arm, or an open arm for spindle adjustment (extra-long arms also available). Arm opens 100° while handle moves 60°. Accepts any 5/16-18 short spindle. **INFO+**: See pages 522-525 to order. Solid-arm versions supplied with a CL-518000-BR bolt retainer. Open-arm versions supplied with (2) CL-51610-TW flanged washers. Shipping weight 0.8 lbs.

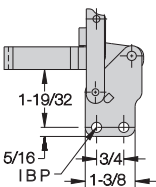
Holding capacity: 500 lbs



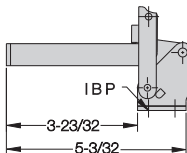
**CL-351-VTC
Solid Arm
Straight Base**



**CL-353-VTC
Long Solid Arm
Flanged Base**



**CL-451-VTC
Open Arm
Straight Base**



**CL-453-VTC
Long Open Arm
Flanged Base**

Also available
in stainless steel . . .



CL-450-VTC-S

Also available
air powered . . .



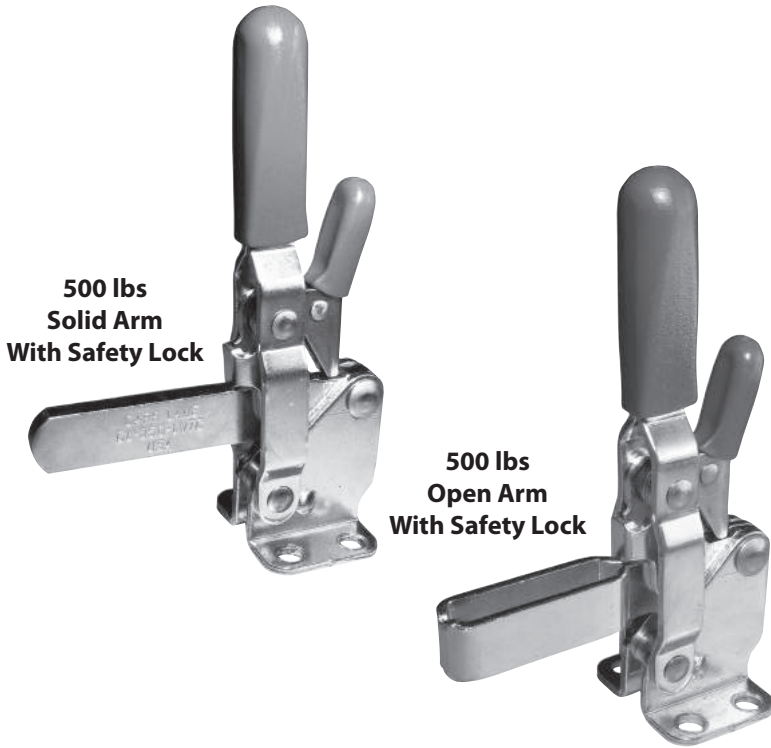
**CL-1001-PTC
Solid Arm
(INFO+ page 518)**



**CL-1000-PTC
Open Arm
(INFO+ page 518)**

VERTICAL-HANDLE TOGGLE CLAMPS

INFO+: SEE PAGE 452 FOR MATERIAL SPECIFICATIONS



CL-350-LVTC CL-450-LVTC

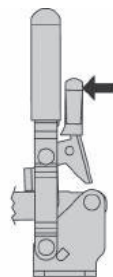
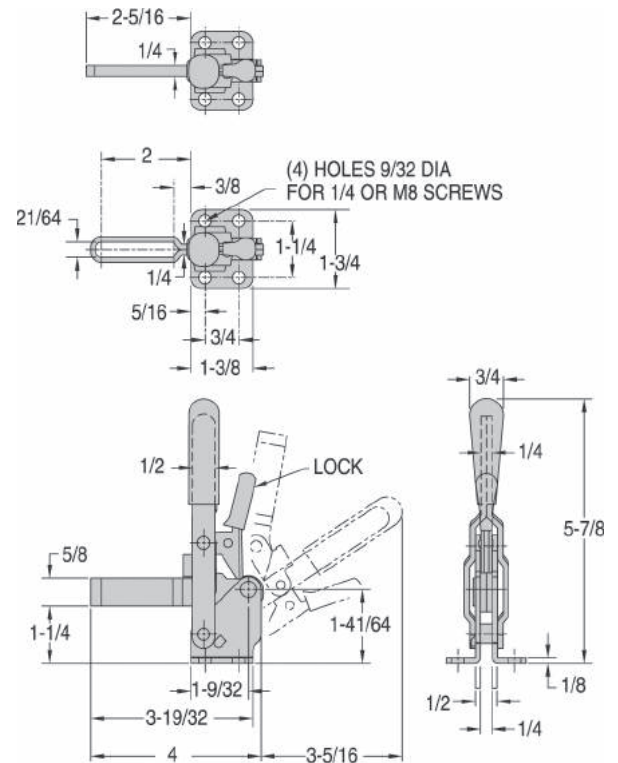
Solid Arm, Flanged Base
Open Arm, Flanged Base

INFO+: Same as the wide-opening toggle clamps shown on page 476, except with our unique safety-lock feature. This safety lock automatically engages when the clamp is closed, then remains locked until manually disengaged by pressing the handle. This prevents the clamp from being accidentally opened by bumping the handle.

Choose either a solid arm, or an open arm for spindle adjustment. Arm opens 100° while handle moves 60°. Accepts any 5/16-18 short spindle. INFO+: See pages 522-525 to order. Solid-arm version supplied with CL-518000-BR bolt retainer. Open-arm version supplied with (2) CL-51610-TW flanged washers. Shipping weight 0.9 lbs.

Holding capacity:

500 lbs



Press Lever to Unlock

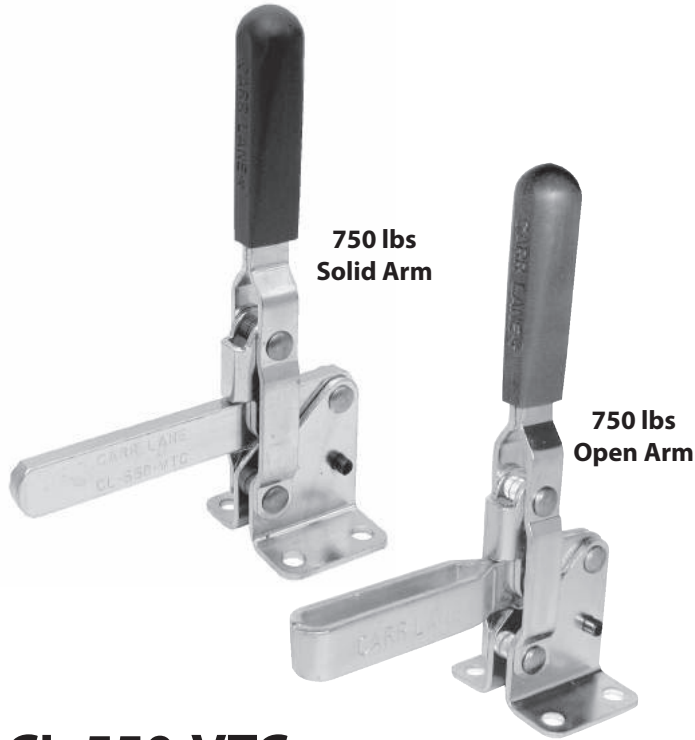
**Also available
in stainless steel . . .**



CL-450-LVTC-S

VERTICAL-HANDLE TOGGLE CLAMPS

INFO+: SEE PAGE 452 FOR MATERIAL SPECIFICATIONS



CL-550-VTC CL-650-VTC

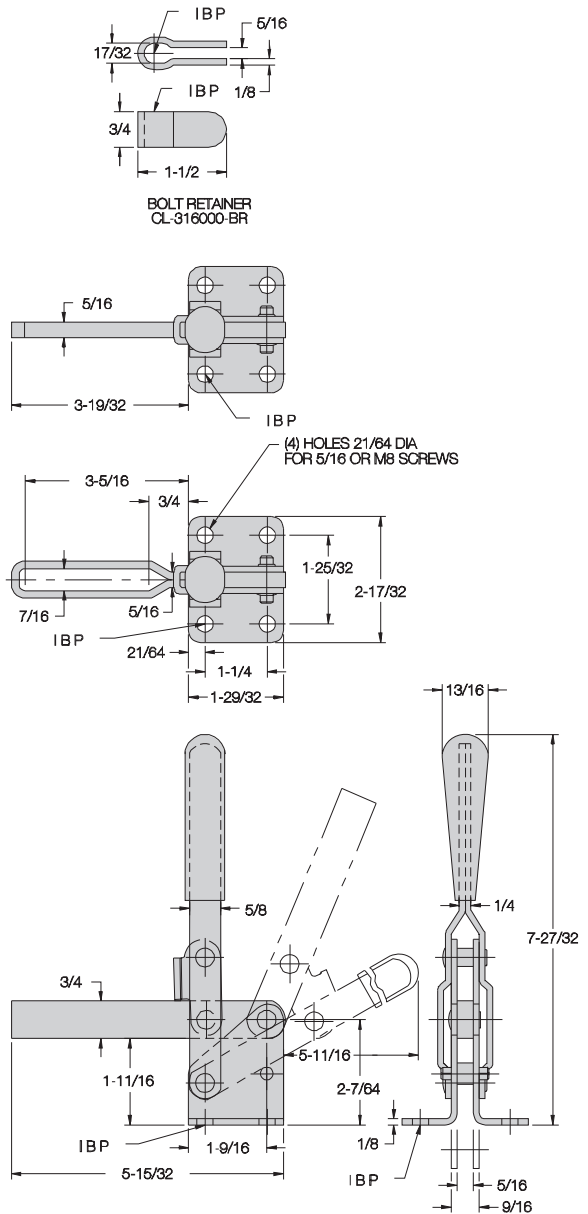
Solid Arm, Flanged Base

Open Arm, Flanged Base

Larger wide-opening clamp available in several configurations. Choose either a solid arm, or an open arm for spindle adjustment. Arm opens 106° while handle moves 58°. Accepts any 3/8-16 spindle. **INFO+**: See pages 522-525 to order. Solid-arm version supplied with a CL-316000-BR bolt retainer. Open-arm version supplied with (2) CL-3811-TW flanged washers. Shipping weight 1.3 lbs.

Holding capacity:

750 lbs



Also available with patented automatic adjustment!

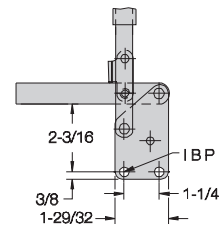


CL-650-ATC
(INFO+ page 479)

Also available in stainless steel ...



CL-650-VTC-S



CL-651-VTC
Open Arm
Straight Base

VERTICAL-HANDLE TOGGLE CLAMPS

INFO+: SEE PAGE 452 FOR MATERIAL SPECIFICATIONS

**750 lbs
Open Arm
With Safety Lock**



CL-650-LVTC

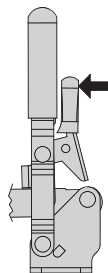
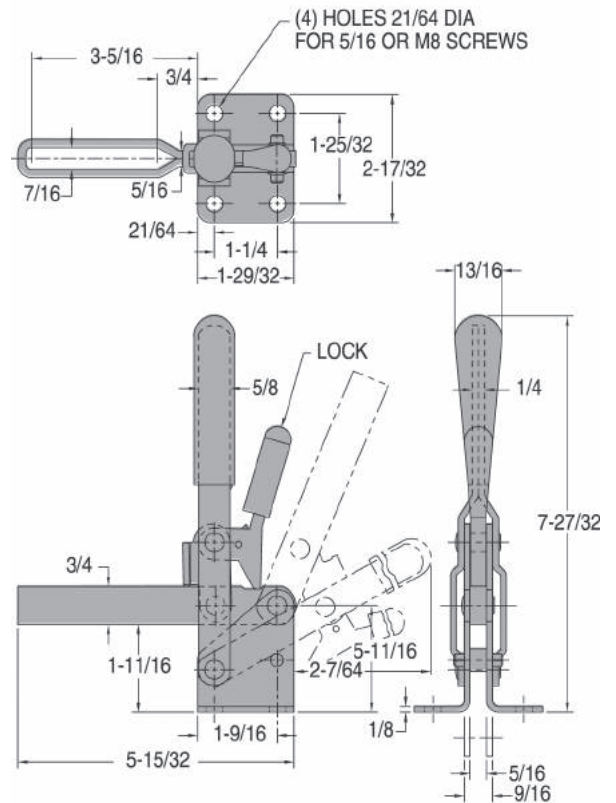
Open Arm, Flanged Base

INFO+: Same as the wide-opening toggle clamps shown on page 472, except with our unique safety-lock feature. This safety lock automatically engages when the clamp is closed, then remains locked until manually disengaged by pressing the handle. This prevents the clamp from being accidentally opened by bumping the handle.

Open arm provides spindle adjustment. Arm opens 106° while handle moves 58°. Accepts any 3/8-16 spindle. INFO+: See pages 522-525 to order. Supplied with (2) CL-3811-TW flanged washers. Shipping weight 1.4 lbs.

Holding capacity:

750 lbs

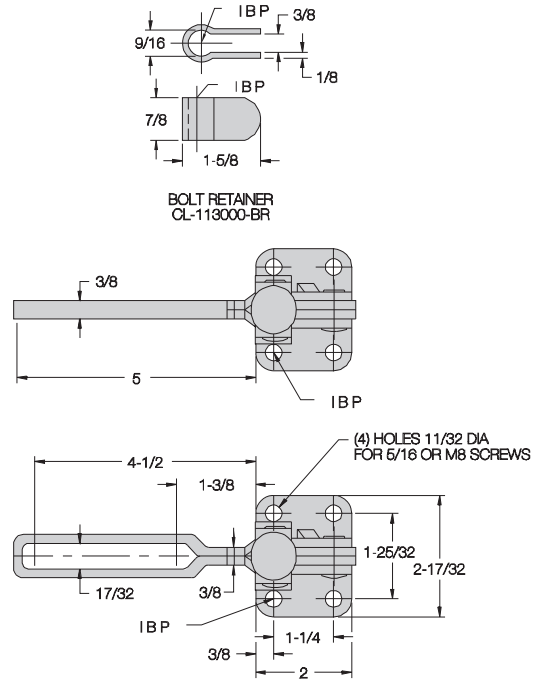
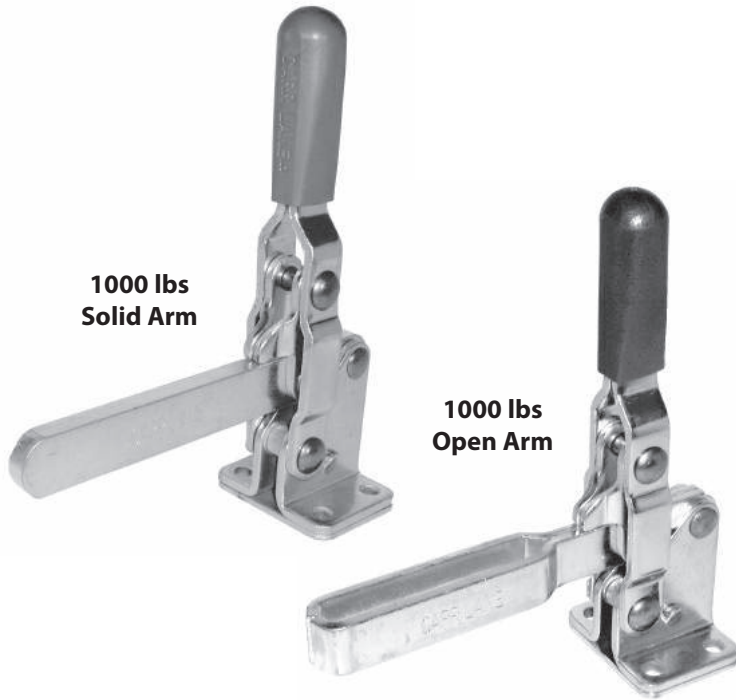


Press Lever To Unlock

11

VERTICAL-HANDLE TOGGLE CLAMPS

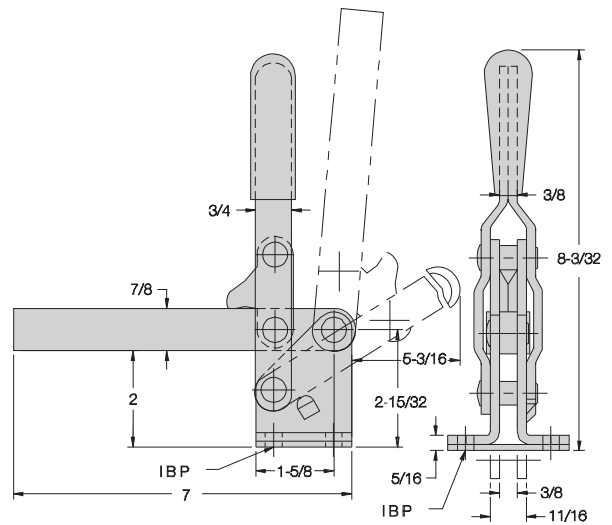
INFO+: SEE PAGE 452 FOR MATERIAL SPECIFICATIONS



CL-750-VTC Solid Arm, Flanged Base
CL-850-VTC Open Arm, Flanged Base

Extra-large wide-opening clamp. Choose either a solid arm, or an open arm for spindle adjustment. Arm opens 120° while handle moves 67°. Accepts any 1/2-13 spindle. **INFO+**: See pages 522-525 to order. Solid-arm version supplied with a CL-113000-BR bolt retainer. Open-arm version supplied with (2) CL-1213-TW flanged washers. Shipping weight 2.5 lbs.

Holding capacity: 1000 lbs



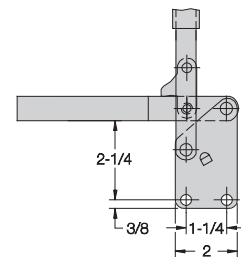
Also available air powered . . .



CL-2001-PTC
Solid Arm
(INFO+ 505)



CL-2000-PTC
Open Arm
(INFO+ 505)



CL-851-VTC
Open Arm
Straight Base

VERTICAL-HANDLE TOGGLE CLAMPS

INFO+: SEE PAGE 452 FOR MATERIAL SPECIFICATIONS

1000 lbs
Open Arm
With Safety Lock



CL-850-LVTC

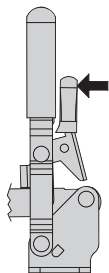
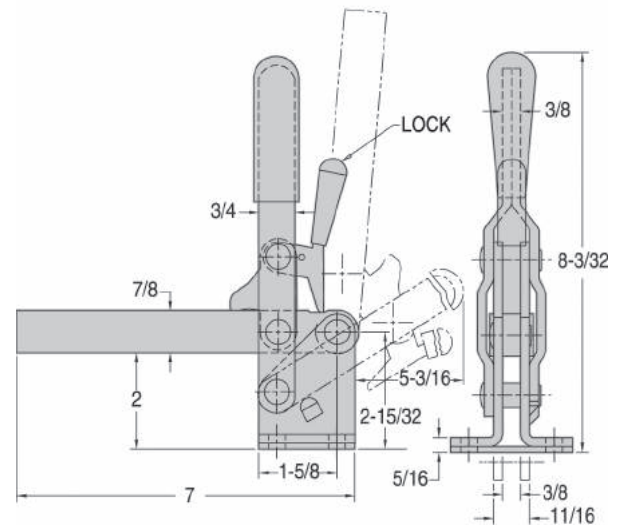
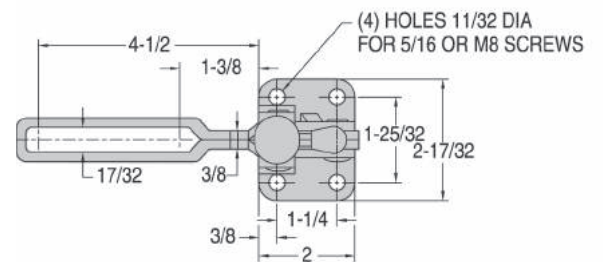
Open Arm, Flanged Base

INFO+: Same as the wide-opening toggle clamps shown on page 480, except with our unique safety-lock feature. This safety lock automatically engages when the clamp is closed, then remains locked until manually disengaged by pressing the handle. This prevents the clamp from being accidentally opened by bumping the handle.

Open arm provides spindle adjustment. Arm opens 120° while handle moves 67°. Accepts any 1/2-13 spindle. INFO+: See pages 522-525 to order. Supplied with (2) CL-1213-TW flanged washers. Shipping weight 2.5 lbs.

Holding capacity:

1000 lbs



Press Lever To Unlock

VERTICAL-HANDLE TOGGLE CLAMPS

INFO+: SEE PAGE 452 FOR MATERIAL SPECIFICATIONS



**1200 lbs
Open Arm**

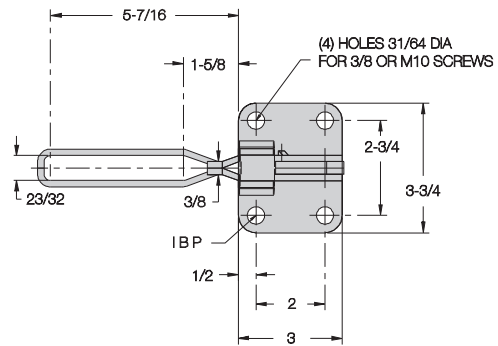
CL-1050-VTC

Open Arm, Flanged Base

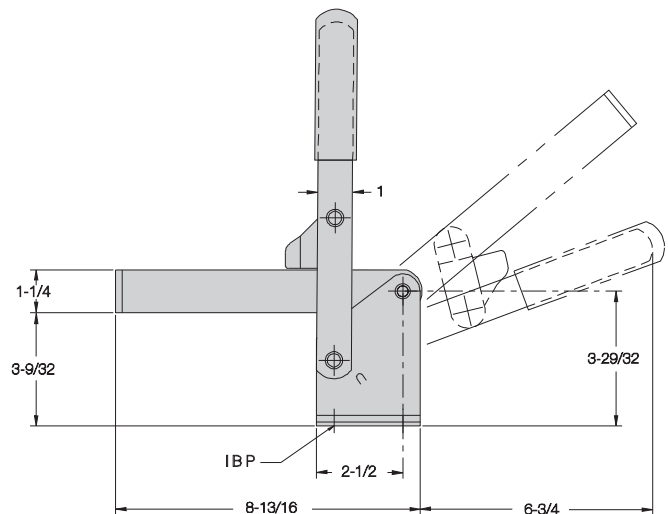
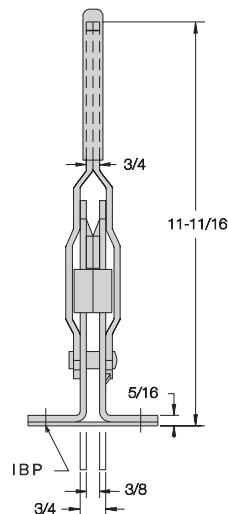
Largest wide-opening clamp available, with an open arm for spindle adjustment. Arm opens 140° while handle moves 70°. Accepts any 5/8-11 spindle. **INFO+**: See pages 522-525 to order. Supplied with (2) CL-5811-TW flanged washers. Shipping weight 5.2 lbs.

Holding capacity:

1200 lbs



11

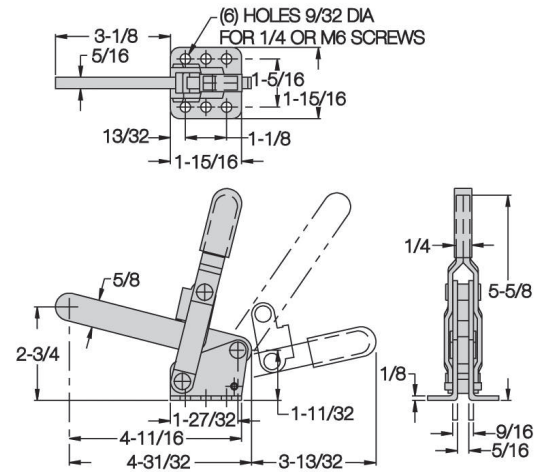


VERTICAL-HANDLE TOGGLE CLAMPS

INFO+: SEE PAGE 452 FOR MATERIAL SPECIFICATIONS



750 lbs
Angled Arm



CL-600-VTC Angled Arm, Flanged Base

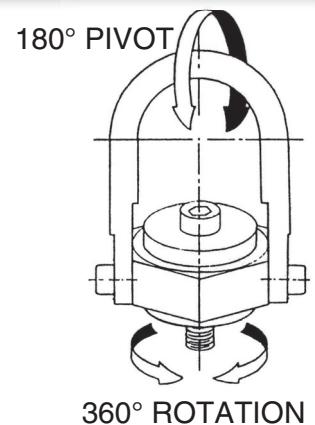
Angled-arm clamp provides increased clearance underneath arm. Also useful for applying clamping force at an angle. Solid arm opens 113° while handle moves 66°. Accepts any 3/8-16 spindle. **INFO+**: See pages 522-525 to order. Supplied with a CL-316000-BR bolt retainer. Shipping weight 1.0 to 1.5 lbs.

Holding capacity: 750 lbs

Corrosion-Resistant Swivel Hoist Rings



Electroless Nickel Plating is ideal for many corrosive and marine environments.



180° PIVOT

360° ROTATION

Pivots and swivels simultaneously to allow lifting from any direction.

See Page 78

VERTICAL-HANDLE TOGGLE CLAMPS

INFO+: SEE PAGE 452 FOR MATERIAL SPECIFICATIONS



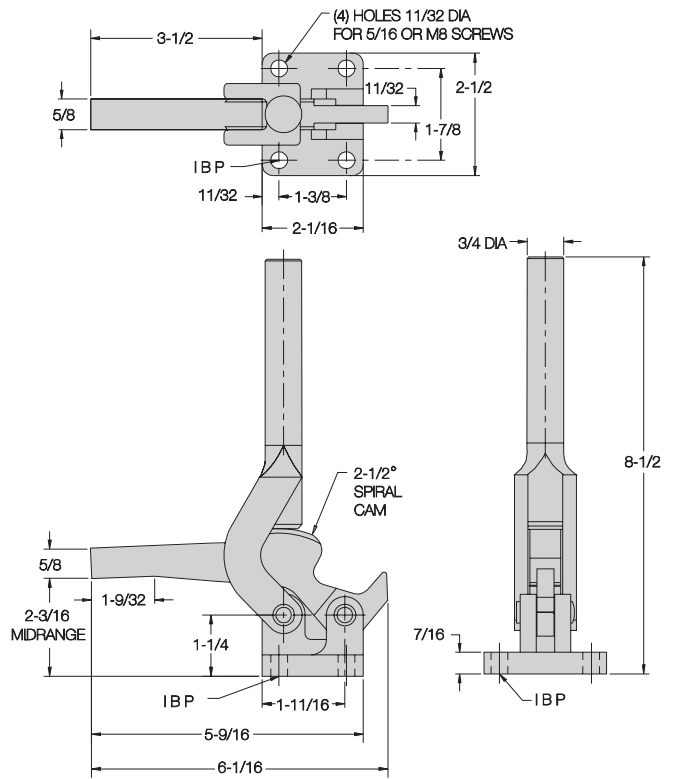
**1000 lbs
Cam Action**

CL-1000-VCC

Wide-opening clamp that locks by cam action rather than toggle action. Smooth spiral cam locks securely anywhere within a 3/16-inch clamping range. Rugged cast-steel components are flame hardened at all wear points. Solid arm can be tapped to accept a spindle, or otherwise modified.

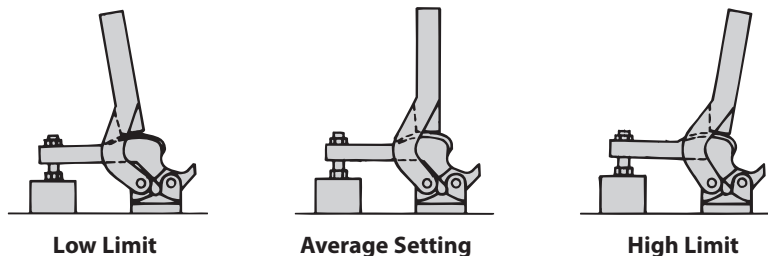
Holding capacity:

1000 lbs



**Optional Vinyl Grip
CL-3-HVTC-G**

11



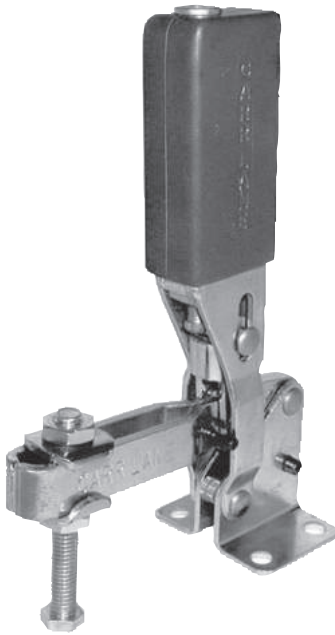
Low Limit

Average Setting

High Limit

VERTICAL-HANDLE TOGGLE CLAMPS

INFO+: SEE PAGE 452 FOR MATERIAL SPECIFICATIONS



**750 lbs
Automatic Toggle Clamp
(Self Adjusting)**

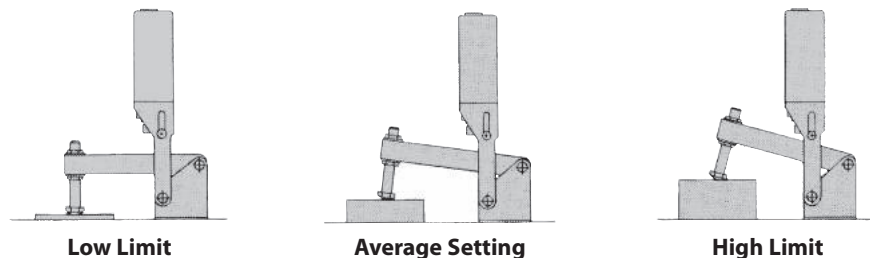
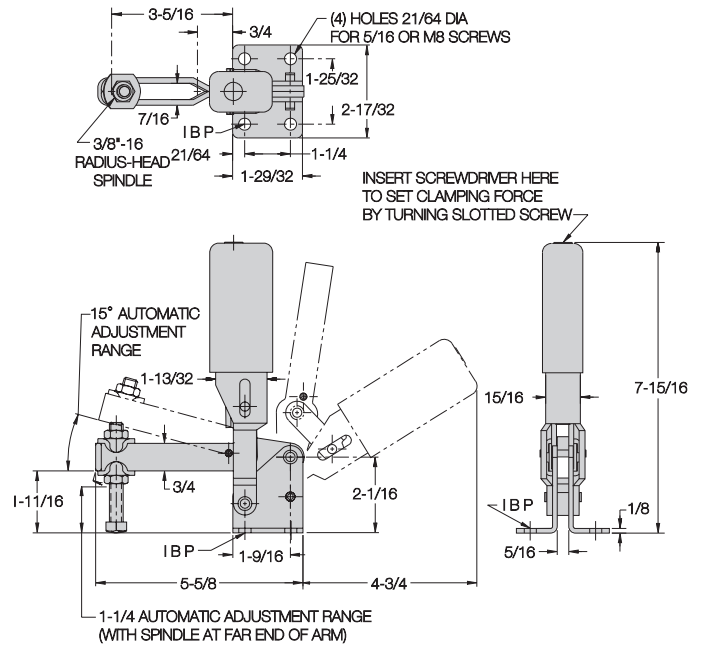
CL-650-ATC

Automatically adjusts for different workpiece thicknesses! Clamps with the same force anywhere within its adjustment range (1-1/4"). Perfect for welding fixtures, machining fixtures for castings, fixtures holding several part sizes within the same family, or any other application where part size can vary.

Easy to use. To set up, simply adjust the contact spindle to the average workpiece height, and set desired clamping force. After that, operate just like a standard toggle clamp. The patented adjusting mechanism does the rest.

Clamping force is always consistent. The clamp's toggle action ensures that workpieces will remain clamped even under severe vibration. No additional spindle adjustment is ever needed. The clamp even compensates for wear in long production runs.

Fits in the same space, and provides the same clamping force as a standard toggle clamp. A maximum of 250 to 500 lbs clamping force (depending on spindle position) can be applied by hand. Arm opens 106° while handle moves 58°. Supplied with 3/8-16 radius spindle CL-38314-RS and (2) CL-3811-TW flanged washers. **Patent no. 4,407,493.** Shipping weight 1.9 lbs. **Holding capacity: 750 lbs**



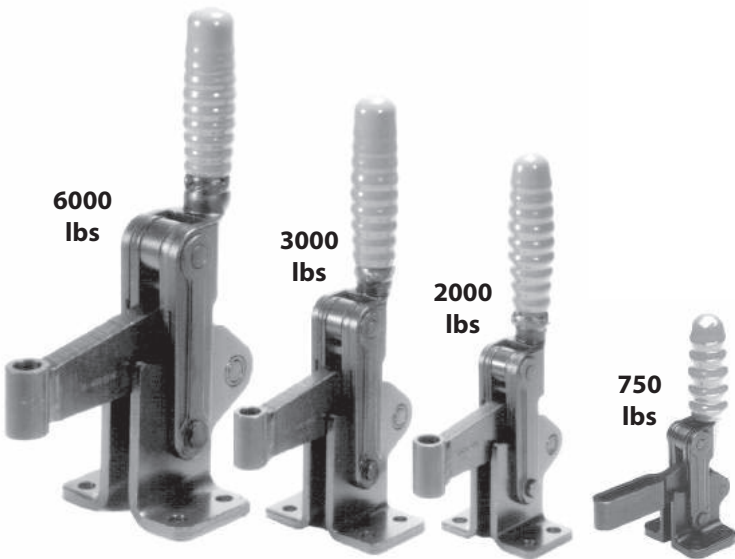
Low Limit

Average Setting

High Limit

VERTICAL-HANDLE TOGGLE CLAMPS

INFO+: SEE PAGE 452 FOR MATERIAL SPECIFICATIONS



Heavy-duty automotive-type production clamps designed for extreme durability. The above configuration includes a long horizontal clamping arm with an attached bolt retainer, a vertical handle with vinyl grip, and an integral flanged base (INFO+: see pages 481-483 for other versions). Precision, close-tolerance steel components throughout provide exceptionally smooth operation. Rugged alloy steel handle fork. Guided-arm feature provides positive lateral arm support. All pivot pins are hardened and ground, running in either hardened bushings or the close-tolerance holes of hardened parts. The bottom pivot is a precision bolt which can be adjusted, if desired, to fine tune the amount of free play. These clamps are built to withstand abuse. With just occasional lubrication, they will provide extremely long service life. Black oxide finish. Available in four sizes.

CL-100-HVTC Complete Clamp, Flanged Base

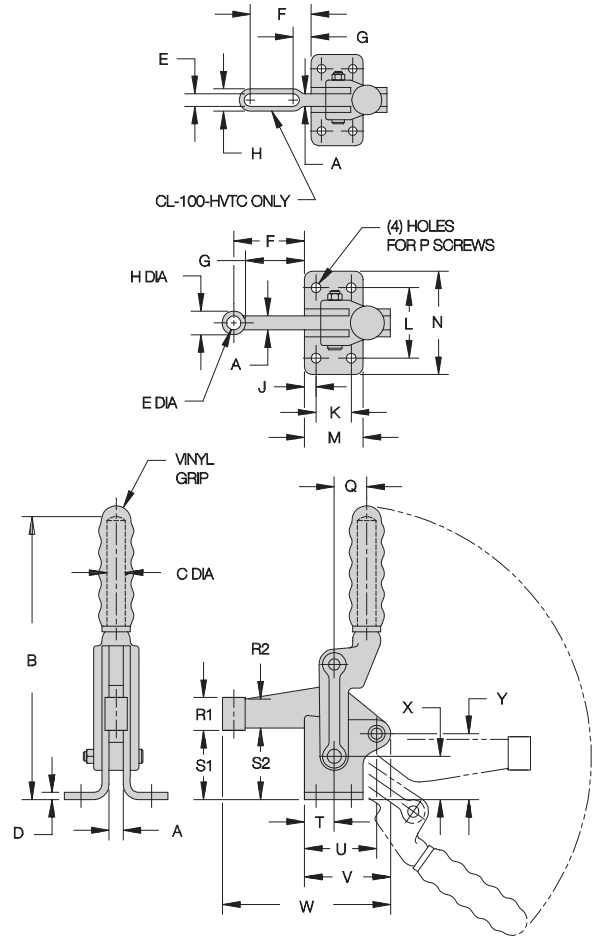
Smallest of the four sizes, yet still quite powerful. Cast alloy steel base and slotted open clamping arm on this size only. Arm opens 130° while handle moves 90°. Accepts any 1/4-20 spindle. INFO+: See pages 522-525 to order. Supplied with (2) CL-148-TW flanged washers. Shipping weight 1.0 lbs.

Holding capacity: 750 lbs

CL-302-HVTC Complete Clamp, Flanged Base

Solid arm opens 180° while handle moves 120°. Accepts any 1/2-13 spindle. INFO+: See pages 522-525 to order. Shipping weight 2.8 lbs.

Holding capacity: 2000 lbs



CL-502-HVTC Complete Clamp, Flanged Base

Solid arm opens 180° while handle moves 125°. Accepts any 1/2-13 spindle. INFO+: See pages 522-525 to order. Shipping weight 4.3 lbs.

Holding capacity: 3000 lbs

CL-602-HVTC Complete Clamp, Flanged Base

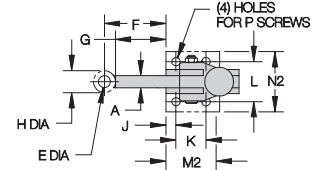
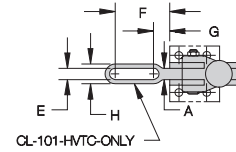
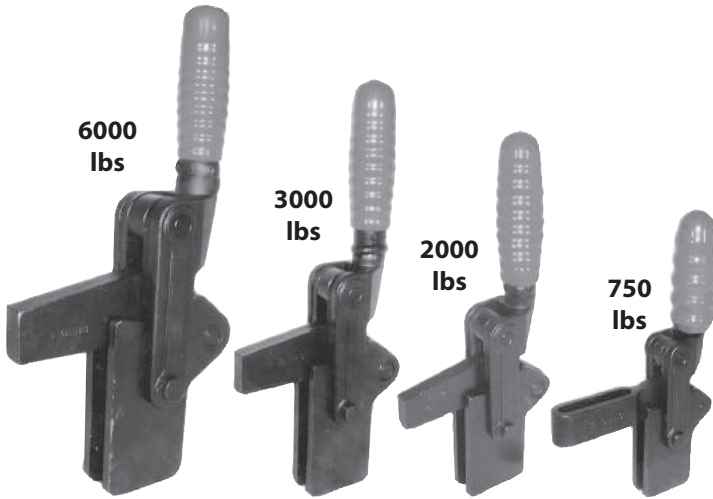
Our most-powerful hold-down toggle clamp. Solid arm opens 195° while handle moves 130°. Accepts any 5/8-11 spindle. INFO+: See pages 522-525 to order. Shipping weight 9.1 lbs.

Holding capacity: 6000 lbs

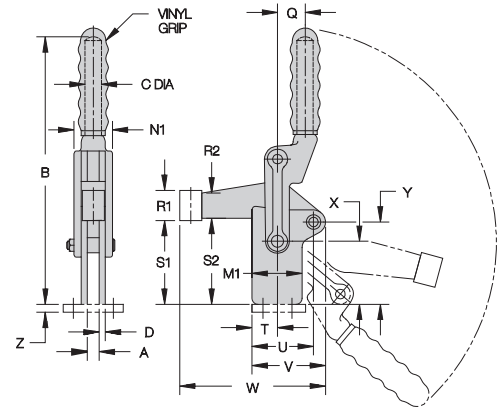
PART NO. COMPLETE CLAMP	A	B	C DIA	D	E	F	G	H	J	K	L	M	N	P	Q	R1	R2	S1	S2	T	U	V	W	X	Y
CL-100-HVTC	.236	4.45	.50	.197	.26	1.54	.35	.49	.236	.748	1.260	1.22	1.73	1/4 or M6	.55	.59	.59	.98	.98	.59	1.26	1.54	3.31	.51	.87
CL-302-HVTC	.394	8.46	.75	.197	.52	1.97	1.57	.75	.394	.984	1.969	1.77	2.64	5/16 or M8	.91	1.18	.87	1.89	1.89	.98	2.13	2.52	4.87	1.10	1.72
CL-502-HVTC	.472	9.84	.87	.236	.52	2.36	1.97	.75	.394	1.181	2.362	1.97	3.46	5/16 or M8	.98	1.18	1.02	2.28	2.32	.98	2.40	2.92	5.66	1.42	2.19
CL-602-HVTC	.630	11.61	.98	.315	.64	2.95	2.36	1.00	.472	1.575	2.953	2.48	4.13	3/8 or M10	1.38	1.50	1.26	2.76	2.95	1.57	3.31	3.98	7.43	1.81	2.76

VERTICAL-HANDLE TOGGLE CLAMPS

INFO+: SEE PAGE 452 FOR MATERIAL SPECIFICATIONS



Heavy-duty automotive-type production clamps designed for extreme durability. The above configuration includes a long horizontal clamping arm furnished with a bolt retainer (not welded on), a vertical handle with vinyl grip, and a straight base for plate/tongue mounting at any angle (INFO+: see pages 480, 482-483 for other versions). Precision, close-tolerance steel components throughout provide exceptionally smooth operation. Rugged alloy steel handle fork. Guided-arm feature provides positive lateral arm support. All pivot pins are hardened and ground, running in either hardened bushings or the close-tolerance holes of hardened parts. The bottom pivot is a precision bolt which can be adjusted, if desired, to fine tune the amount of free play. These clamps are built to withstand abuse. With just occasional lubrication, they will provide extremely long service life. Black oxide finish. Available in four sizes.



CL-101-HVTC Complete Clamp, Straight Base

Smallest of the four sizes, yet still quite powerful. Cast alloy steel slotted open clamping arm on this size only. Arm opens 205° while handle moves 130°. Accepts any 1/4-20 spindle. INFO+: See pages 522-525 to order. Shipping weight 0.9 lbs.

Holding capacity: 750 lbs

CL-303-HVTC Complete Clamp, Straight Base

Solid arm opens 205° while handle moves 130°. Accepts any 1/2-13 spindle. INFO+: See pages 522-525 to order. Shipping weight 2.5 lbs.

Holding capacity: 2000 lbs

CL-503-HVTC Complete Clamp, Straight Base

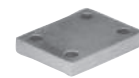
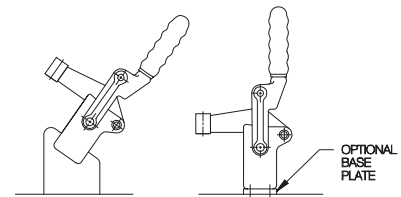
Solid arm opens 195° while handle moves 130°. Accepts any 1/2-13 spindle. INFO+: See pages 522-525 to order. Shipping weight 4.0 lbs.

Holding capacity: 3000 lbs

CL-601-HVTC Complete Clamp, Straight Base

Our most-powerful hold-down toggle clamp. Solid arm opens 195° while handle moves 130°. Accepts any 5/8-11 spindle. INFO+: See pages 522-525 to order. Shipping weight 8.3 lbs.

Holding capacity: 6000 lbs



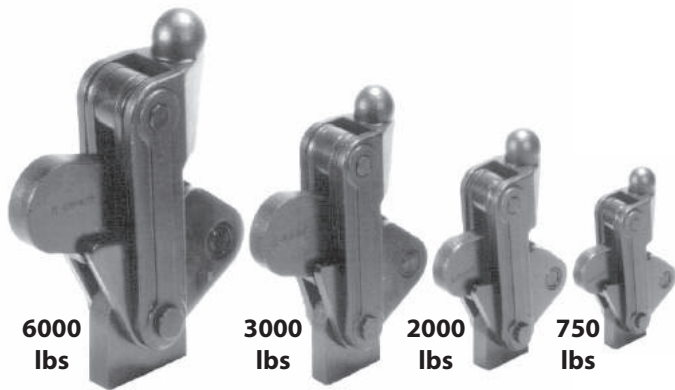
Base Plate (order separately)

CL-1-HVTC-P (750 lbs) CL-5-HVTC-P (3000 lbs)
CL-3-HVTC-P (2000 lbs) CL-6-HVTC-P (6000 lbs)

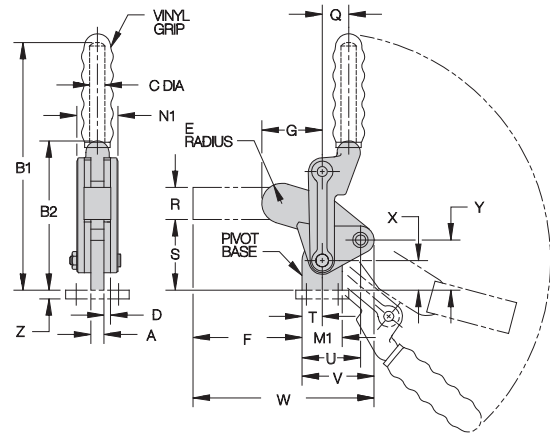
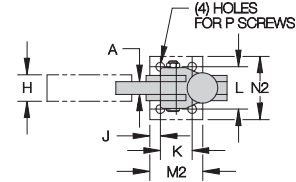
PART NO. COMPLETE CLAMP	A	B	C DIA	D	E	F	G	H	J	K	L	M1	M2	N1	N2	P	Q	R1	R2	S1	S2	T	U	V	W	X	Y	Z
CL-101-HVTC	.236	5.08	.50	.118	.26	1.54	.35	.49	.236	.748	1.260	1.06	1.10	.79	1.73	#10 or M5	.55	.59	.59	1.61	1.61	.59	1.26	1.54	3.31	1.14	1.50	.236
CL-303-HVTC	.394	9.25	.75	.197	.52	1.97	1.57	.75	.295	.984	1.378	1.77	1.57	1.26	1.97	1/4 or M6	.91	1.18	.87	2.76	2.76	.98	2.13	2.52	4.87	1.97	2.59	.315
CL-503-HVTC	.472	10.87	.87	.236	.52	2.36	1.97	.75	.394	1.181	1.575	1.97	1.97	1.50	2.36	5/16 or M8	.98	1.18	1.02	3.35	3.39	.98	2.40	2.92	5.66	2.48	3.25	.315
CL-601-HVTC	.630	12.60	.98	.315	.64	2.95	2.36	1.00	.394	1.772	1.969	2.48	2.56	1.97	2.76	5/16 or M8	1.38	1.50	1.26	3.94	4.13	1.57	3.31	3.98	7.43	2.99	3.94	.315

VERTICAL-HANDLE TOGGLE CLAMPS

INFO+: SEE PAGE 452 FOR MATERIAL SPECIFICATIONS



Heavy-duty automotive-type production clamps designed for extreme durability. The above configuration is a basic toggle mechanism onto which an arm and handle can be welded at any desired angle (INFO+: see pages 480-481, and 483 for other versions). The pivot base must be welded to both the clamp mechanism and the fixture, or the optional base plate, after setting the clamp at the proper angle. Precision, close-tolerance steel components throughout provide exceptionally smooth operation. Rugged alloy steel handle fork. Guided-arm feature provides positive lateral arm support. All pivot pins are hardened and ground, running in either hardened bushings or the close-tolerance holes of hardened parts. The bottom pivot is a precision bolt which can be adjusted, if desired, to fine tune the amount of free play. These clamps are built to withstand abuse. With just occasional lubrication, they will provide extremely long service life. Black oxide finish. Available in four sizes.

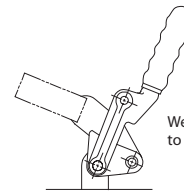


CL-110-HVTC **Basic Mechanism, Pivot Base**
 Smallest of the four sizes, yet still quite powerful. Arm opens 205° while handle moves 130°. Shipping weight 0.6 lbs. To order basic mechanism without the pivot base, specify part no. CL-120-HVTC.
Holding capacity: 750 lbs

CL-312-HVTC **Basic Mechanism, Pivot Base**
 Arm opens 205° while handle moves 130°. Shipping weight 1.6 lbs. To order basic mechanism without the pivot base, specify part no. CL-320-HVTC.
Holding capacity: 2000 lbs

CL-512-HVTC **Basic Mechanism, Pivot Base**
 Arm opens 195° while handle moves 130°. Shipping weight 2.9 lbs. To order basic mechanism without the pivot base, specify part no. CL-520-HVTC.
Holding capacity: 3000 lbs

CL-610-HVTC **Basic Mechanism, Pivot Base**
 Our most-powerful hold-down toggle clamp. Arm opens 195° while handle moves 130°. Shipping weight 6.4 lbs. To order basic mechanism without the pivot base, specify part no. CL-620-HVTC.
Holding capacity: 6000 lbs



Weld clamp mechanism to pivot base at any desired angle.



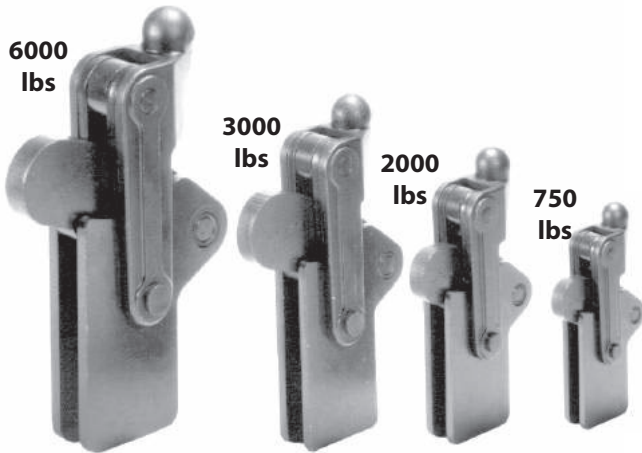
ACCESSORIES

CLAMP SIZE	PART NO. CLAMPING ARM	PART NO. BASE PLATE	PART NO. HANDLE	PART NO. VINYL GRIP
750 lbs	CL-1-HVTC-A	CL-1-HVTC-P	CL-1-HVTC-H	CL-1-HVTC-G
2000 lbs	CL-3-HVTC-A	CL-3-HVTC-P	CL-3-HVTC-H	CL-3-HVTC-G
3000 lbs	CL-5-HVTC-A	CL-5-HVTC-P	CL-5-HVTC-H	CL-5-HVTC-G
6000 lbs	CL-6-HVTC-A	CL-6-HVTC-P	CL-6-HVTC-H	CL-6-HVTC-G

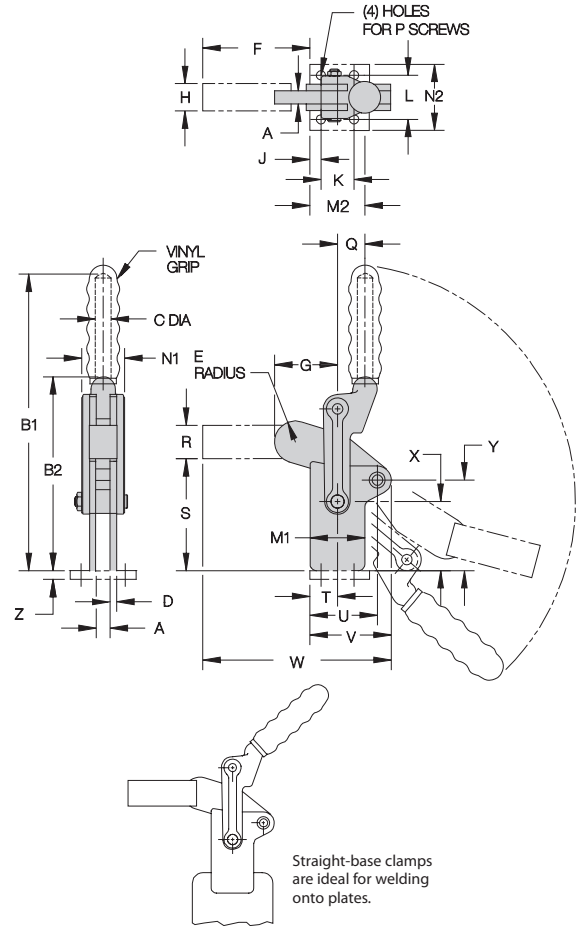
PART NO. BASIC MECHANISM	A	B1	B2	C DIA	D	E	F	G	H	J	K	L	M1	M2	N1	N2	P	Q	R	S	T	U	V	W	X	Y	Z
CL-110-HVTC	.236	4.33	2.60	.50	.118	.39	2.76	1.14	.472	.197	.709	.984	.71	1.10	.79	1.38	#10 or M5	.55	.630	.94	.35	1.02	1.30	4.06	.39	.75	.236
CL-312-HVTC	.394	8.07	4.49	.75	.197	.55	2.97	1.57	.787	.295	.984	1.378	1.14	1.57	1.26	1.97	1/4 or M6	.91	.984	1.79	.57	1.71	2.11	5.08	.79	1.41	.315
CL-512-HVTC	.472	9.49	5.47	.87	.236	.75	4.06	2.24	.984	.394	1.181	1.575	1.50	1.97	1.54	2.36	5/16 or M8	.98	1.181	2.64	.75	2.17	2.68	6.74	1.10	1.87	.315
CL-610-HVTC	.630	10.91	6.97	.98	.315	.87	5.16	2.83	1.181	.394	1.772	1.969	2.05	2.56	1.97	2.76	5/16 or M8	1.38	1.378	3.33	1.02	2.74	3.43	8.59	1.30	2.24	.315

VERTICAL-HANDLE TOGGLE CLAMPS

INFO+: SEE PAGE 452 FOR MATERIAL SPECIFICATIONS



Heavy-duty automotive-type production clamps designed for extreme durability. The above configuration is a basic toggle mechanism onto which an arm and handle can be welded at any desired angle (INFO+: see pages 480-482 for other versions). The straight base is ideal for plate/tongue mounting at any angle. Alternatively, the optional base plate can be attached to construct a tall flanged-base clamp. Precision, close-tolerance steel components throughout provide exceptionally smooth operation. Rugged alloy steel handle fork. Guided-arm feature provides positive lateral arm support. All pivot pins are hardened and ground, running in either hardened bushings or the close-tolerance holes of hardened parts. The bottom pivot is a precision bolt which can be adjusted, if desired, to fine tune the amount of free play. These clamps are built to withstand abuse. With just occasional lubrication, they will provide extremely long service life. Black oxide finish. Available in four sizes.



CL-111-HVTC **Basic Mechanism, Straight Base**
 Smallest of the four sizes, yet still quite powerful. Arm opens 205° while handle moves 130°. Shipping weight 0.8 lbs.
Holding capacity: **750 lbs**

CL-311-HVTC **Basic Mechanism, Straight Base**
 Arm opens 205° while handle moves 130°. Shipping weight 1.8 lbs.
Holding capacity: **2000 lbs**

CL-513-HVTC **Basic Mechanism, Straight Base**
 Arm opens 195° while handle moves 130°. Shipping weight 3.2 lbs.
Holding capacity: **3000 lbs**

CL-611-HVTC **Basic Mechanism, Straight Base**
 Our most-powerful hold-down toggle clamp. Arm opens 195° while handle moves 130°. Shipping weight 7.1 lbs.
Holding capacity: **6000 lbs**



ACCESSORIES

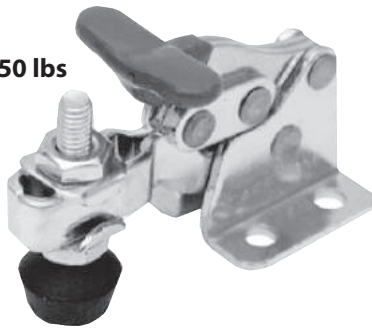
CLAMP SIZE	PART NO. CLAMPING ARM	PART NO. BASE PLATE	PART NO. HANDLE	PART NO. VINYL GRIP
750 lbs	CL-1-HVTC-A	CL-1-HVTC-P	CL-1-HVTC-H	CL-1-HVTC-G
2000 lbs	CL-3-HVTC-A	CL-3-HVTC-P	CL-3-HVTC-H	CL-3-HVTC-G
3000 lbs	CL-5-HVTC-A	CL-5-HVTC-P	CL-5-HVTC-H	CL-5-HVTC-G
6000 lbs	CL-6-HVTC-A	CL-6-HVTC-P	CL-6-HVTC-H	CL-6-HVTC-G

PART NO. BASIC MECHANISM	A	B1	B2	C DIA	D	E	F	G	H	J	K	L	M1	M2	N1	N2	P	Q	R	S	T	U	V	W	X	Y	Z
CL-111-HVTC	.236	5.08	3.39	.50	.118	.39	2.52	1.14	.472	.197	.709	.984	1.06	1.10	.79	1.38	#10 or M5	.55	.630	1.73	.59	1.26	1.54	4.06	1.18	1.54	.236
CL-311-HVTC	.394	9.25	5.67	.75	.197	.55	2.56	1.57	.787	.295	.984	1.378	1.77	1.57	1.26	1.97	1/4 or M6	.91	.984	2.97	.98	2.13	2.52	5.08	1.97	2.59	.315
CL-513-HVTC	.472	10.87	6.97	.87	.236	.75	3.82	2.24	.984	.394	1.181	1.575	1.97	1.97	1.50	2.36	5/16 or M8	.98	1.181	4.02	.98	2.40	2.92	6.74	2.48	3.25	.315
CL-611-HVTC	.630	12.60	8.66	.98	.315	.87	4.61	2.83	1.181	.394	1.772	1.969	2.48	2.56	1.97	2.76	5/16 or M8	1.38	1.378	5.02	1.57	3.31	3.98	8.59	2.99	3.94	.315

VERTICAL-HANDLE TOGGLE CLAMPS

INFO+: SEE PAGE 452 FOR MATERIAL SPECIFICATIONS

750 lbs



150 lbs



350 lbs



Hold-down toggle clamp with a unique finger-grip T handle. Extremely compact design. Open arm provides adjustable spindle location. Arm opens 92° while handle moves 175°.

CL-200-VTC

Miniature-size T-handle clamp. Supplied with #10-32 flat-cushion spindle CL-316112-FC and (2) CL-3166-TW flanged washers. Shipping weight 0.2 lbs.

Holding capacity:

150 lbs

CL-300-VTC

Medium-size T-handle clamp. Supplied with 5/16-18 flat-cushion spindle CL-518208-FC and (2) CL-51610-TW flanged washers. Shipping weight 0.6 lbs.

Holding capacity:

350 lbs

CL-500-VTC

Large-size T-handle clamp. Supplied with 3/8-16 flat-cushion spindle CL-38212-FC and (2) CL-3811-TW flanged washers. Shipping weight 1.3 lbs.

Holding capacity:

750 lbs

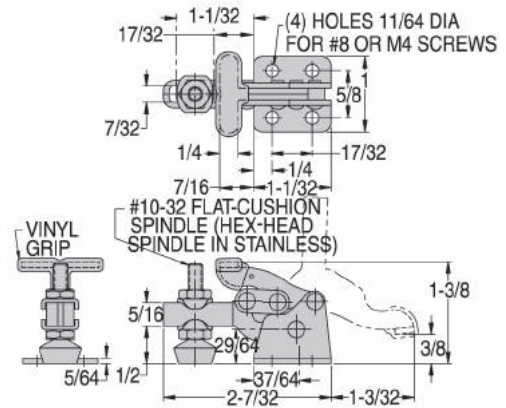
Also available in stainless steel...



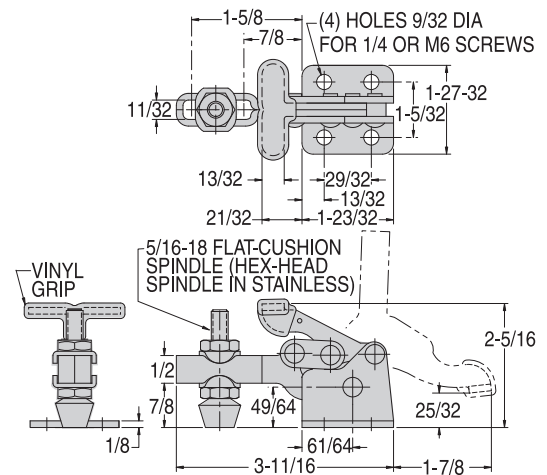
CL-200-VTC-S
150 lbs



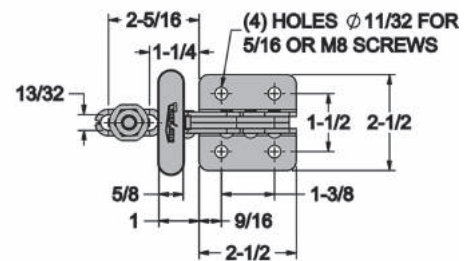
CL-300-VTC-S
350 lbs



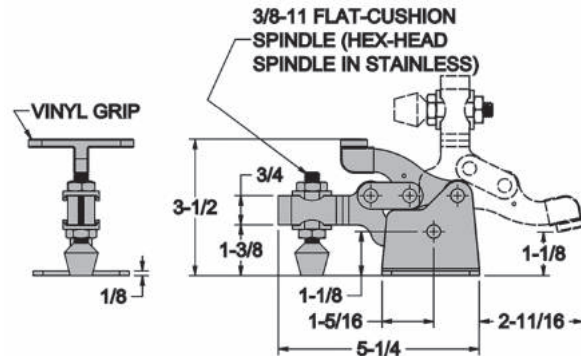
CL-200-VTC



CL-300-VTC



CL-500-VTC

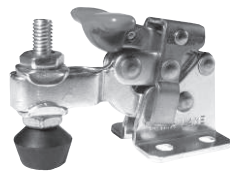
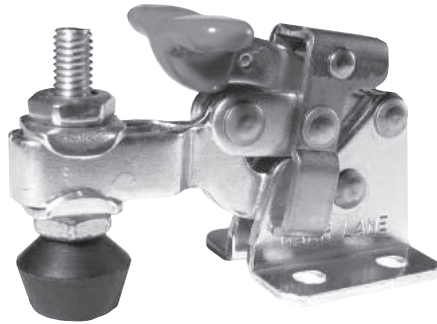


CL-500-VTC

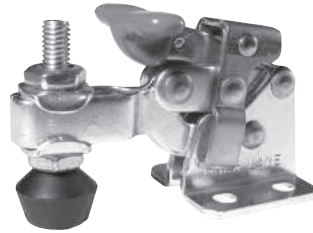
VERTICAL-HANDLE TOGGLE CLAMPS

INFO+: SEE PAGE 452 FOR MATERIAL SPECIFICATIONS

**750 lbs
With Safety Lock**



**150 lbs
With Safety Lock**



**350 lbs
With Safety Lock**

INFO+: Same as our hold-down toggle clamps on page 484, except with our unique safety-lock feature. This safety lock automatically engages when the clamp is closed, then remains locked until manually disengaged by pressing the lever before opening. This prevents the clamp from being accidentally opened by bumping the handle. This clamp has a unique finger-grip T handle. Extremely compact design. Open arm provides adjustable spindle location. Arm opens 92° while handle moves 175°.

CL-200-LVTC

Miniature-size T-handle clamp. Supplied with #10-32 flat-cushion spindle CL-316112-FC and (2) CL-3166-TW flanged washers. Shipping weight 0.2 lbs.

Holding capacity: 150 lbs

CL-300-LVTC

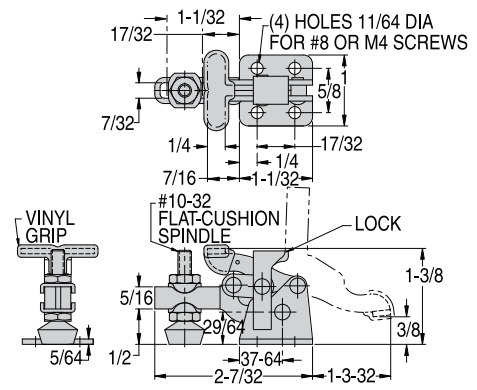
Medium-size T-handle clamp. Supplied with 5/16-18 flat-cushion spindle CL-518208-FC and (2) CL-51610-TW flanged washers. Shipping weight 0.6 lbs.

Holding capacity: 350 lbs

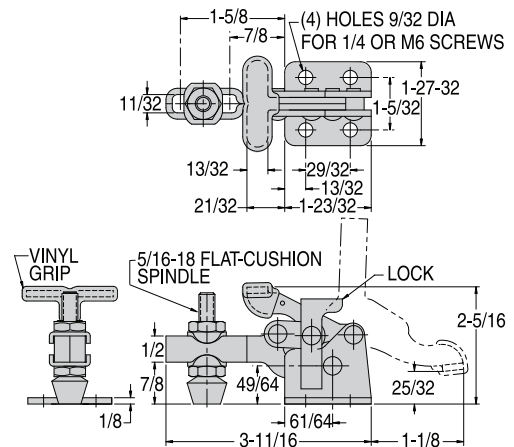
CL-500-LVTC

Large-size T-handle clamp. Supplied with 3/8-11 flat-cushion spindle CL-38212-FC and (2) CL-3811-TW flanged washers. Shipping weight 1.3 lbs.

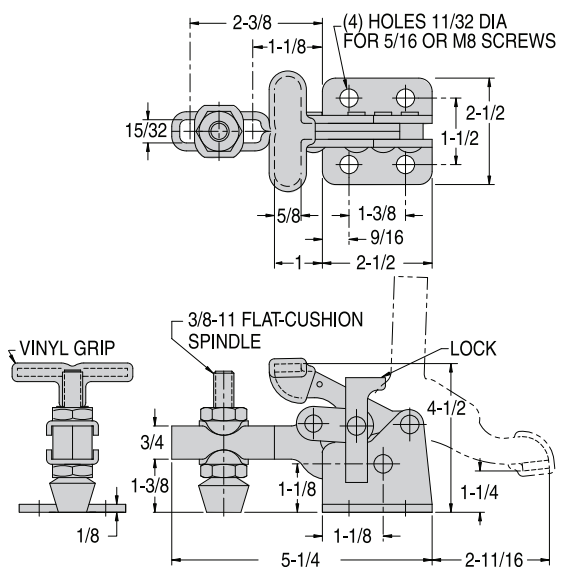
Holding capacity: 750 lbs



CL-200-LVTC



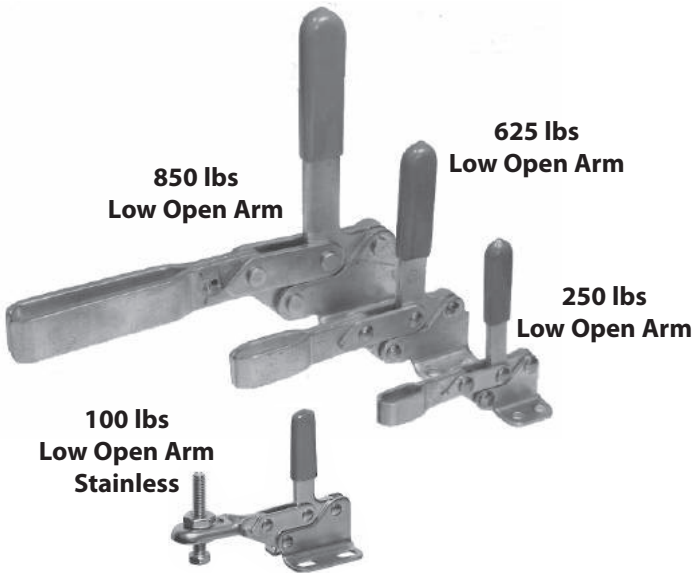
CL-300-LVTC



CL-500-LVTC

VERTICAL-HANDLE TOGGLE CLAMPS

INFO+: SEE PAGE 452 FOR MATERIAL SPECIFICATIONS



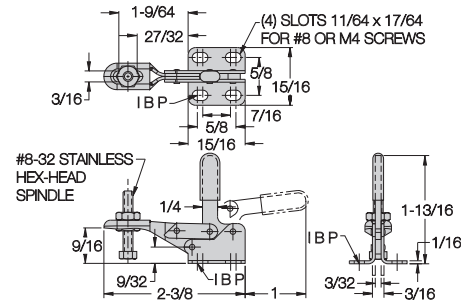
Simple, easy-opening clamps with excellent arm reach, extending farther over workpiece than any other clamps their size. Open arm allows spindle adjustment. Arm opens 83° while handle moves 83°. Available in four sizes.

CL-11-TC **Low Open Arm, Flanged Base**
 Miniature clamp in stainless steel. Supplied with #8-32 hex-head spindle CL-832203-SA-S. Shipping weight 0.1 lbs.
Holding capacity: **100 lbs**

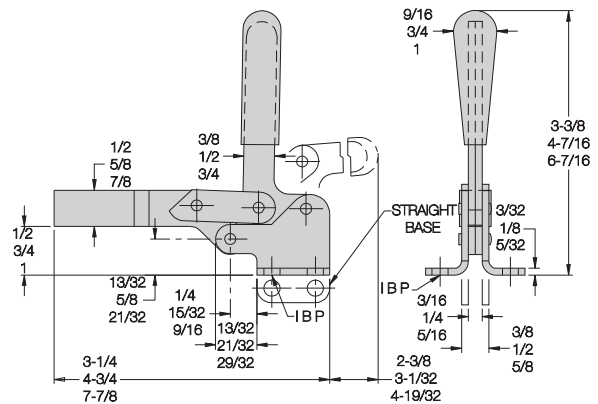
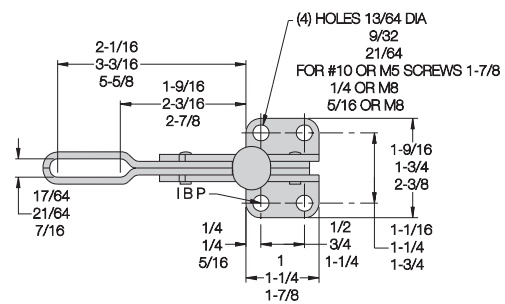
CL-111-TC **Low Open Arm, Flanged Base**
 Small-size clamp. Accepts any 1/4-20 spindle and (2) CL-147-TW flanged washers. INFO+: See pages 522-525 to order. Shipping weight 0.3 lbs.
Holding capacity: **250 lbs**

CL-211-TC **Low Open Arm, Flanged Base**
 Medium-size clamp. Accepts any 5/16-18 spindle and (2) CL-51610-TW flanged washers. INFO+: See pages 522-525 to order. Shipping weight 0.5 lbs.
Holding capacity: **625 lbs**

CL-311-TC **Low Open Arm, Flanged Base**
 Large-size clamp. Arm extends a full 6 inches over workpiece. Accepts any 3/8-16 spindle and (2) CL-3811-TW flanged washers. INFO+: See pages 522-525 to order. Shipping weight 1.4 lbs.
Holding capacity: **850 lbs**



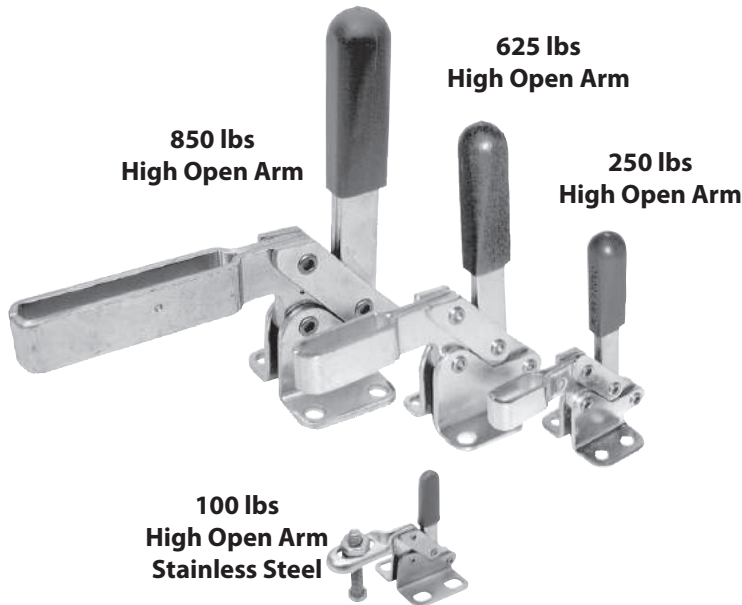
CL-11-TC



CL-111-TC (Top dimension)
 CL-211-TC (Middle dimension)
 CL-311-TC (Bottom dimension)

VERTICAL-HANDLE TOGGLE CLAMPS

INFO+: SEE PAGE 452 FOR MATERIAL SPECIFICATIONS



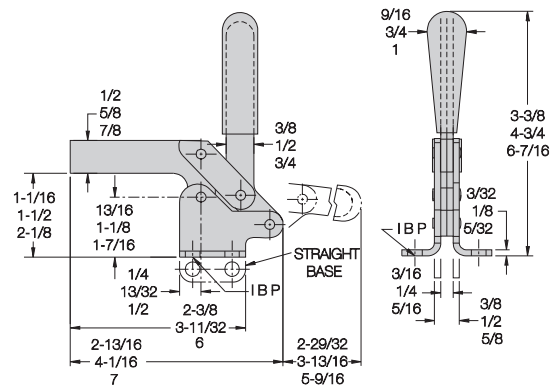
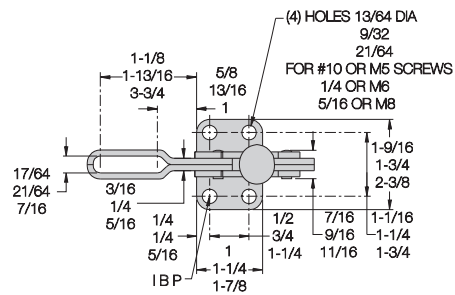
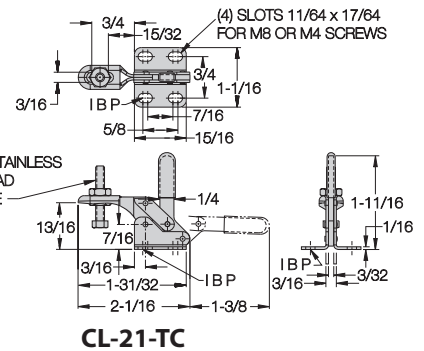
Simple, easy-opening clamps with extra arm height. Open arm allows spindle adjustment. Arm opens 83° while handle moves 83°. Available in four sizes.

CL-21-TC High Open Arm, Flanged Base
 Miniature clamp in stainless steel. Supplied with #8-32 hex-head spindle CL-832203-SA-S. Shipping weight 0.1 lbs.
Holding capacity: 100 lbs

CL-101-TC High Open Arm, Flanged Base
 Small-size clamp. Accepts any 1/4-20 spindle and (2) CL-147-TW flanged washers. INFO+: See pages 522-525 to order. Shipping weight 0.3 lbs.
Holding capacity: 250 lbs

CL-201-TC High Open Arm, Flanged Base
 Medium-size clamp. Accepts any 5/16-18 spindle and (2) CL-51610-TW flanged washers. INFO+: See pages 522-525 to order. Shipping weight 0.5 lbs.
Holding capacity: 625 lbs

CL-301-TC High Open Arm, Flanged Base
 Large-size clamp. Accepts any 3/8-16 spindle and (2) CL-3811-TW flanged washers. INFO+: See pages 522-525 to order. Shipping weight 1.4 lbs.
Holding capacity: 850 lbs



VERTICAL-HANDLE TOGGLE CLAMPS

INFO+: SEE PAGE 452 FOR MATERIAL SPECIFICATIONS



Compact heavy-duty clamps with forged steel handles and clamping arms, available in three sizes. Low clamping arm extends far over workpiece. Simple, easy-opening linkage. Arm opens 83° while handle moves 83°. Weld-on flanged base is optional. To order clamp with flanged base attached, add "S" to part no. (example: CL-45-HDC-121S).

CL-45-HDC-121

Low Arm

Smallest of the three sizes, yet still quite powerful. Shipping weight 2.0 lbs.

Holding capacity:

1500 lbs

CL-50-HDC-121

Low Arm

Medium-size clamp with high strength. Shipping weight 2.5 lbs.

Holding capacity:

2500 lbs

CL-51-HDC-121

Low Arm

Largest of the three sizes. Shipping weight 5.0 lbs.

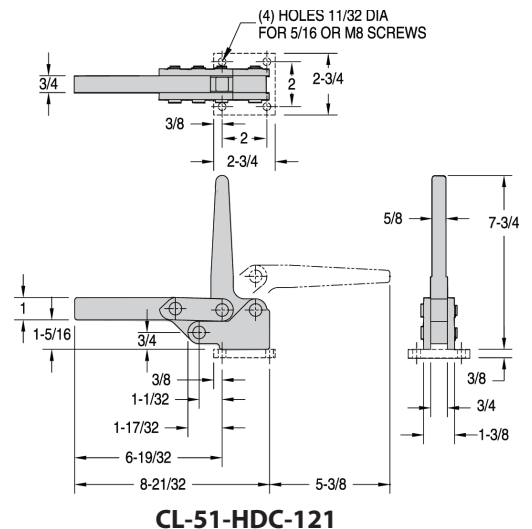
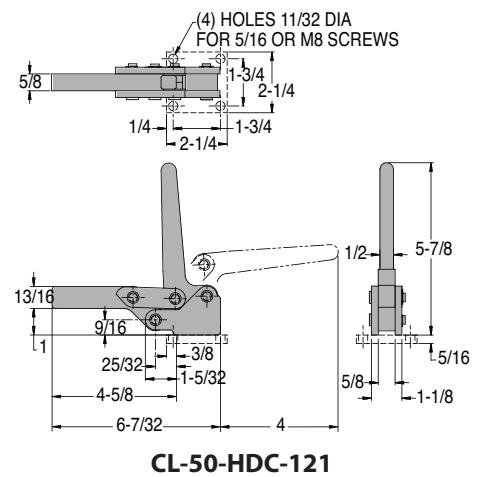
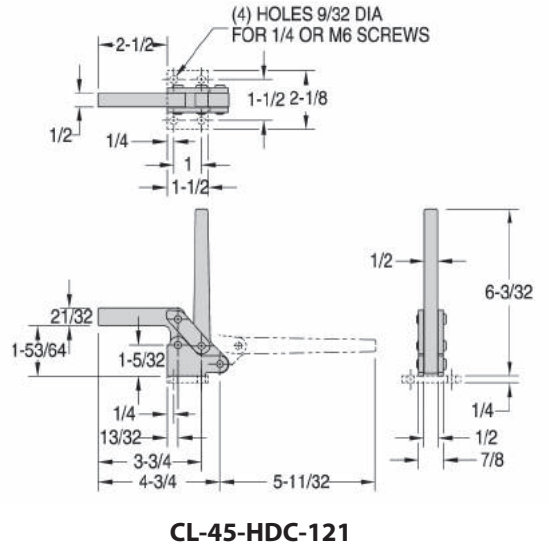
Holding capacity:

5000 lbs

Available with standard flanged base attached...

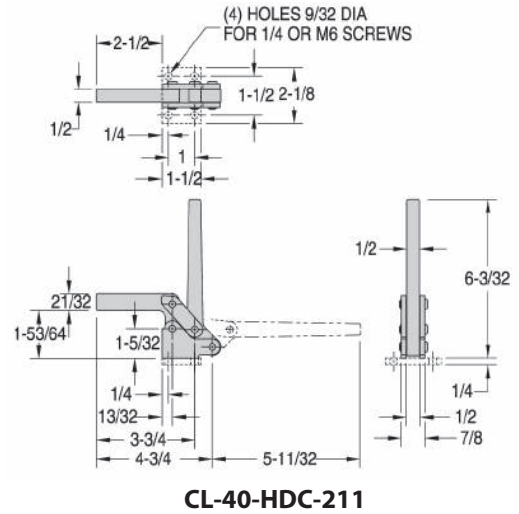


Add "S" to part no.



VERTICAL-HANDLE TOGGLE CLAMPS

INFO+: SEE PAGE 452 FOR MATERIAL SPECIFICATIONS



Compact heavy-duty clamps with forged steel handles and clamping arms, available in three sizes. High clamping arm provides extra room for thick workpieces. Simple, easy-opening linkage. Arm opens 83° while handle moves 83°. Weld-on flanged base is optional. To order clamp with flanged base attached, add "S" to part no. (example: CL-40-HDC-211S).

CL-40-HDC-211

High Arm

Smallest of the three sizes, yet still quite powerful. Shipping weight 2.0 lbs.

Holding capacity:

1500 lbs

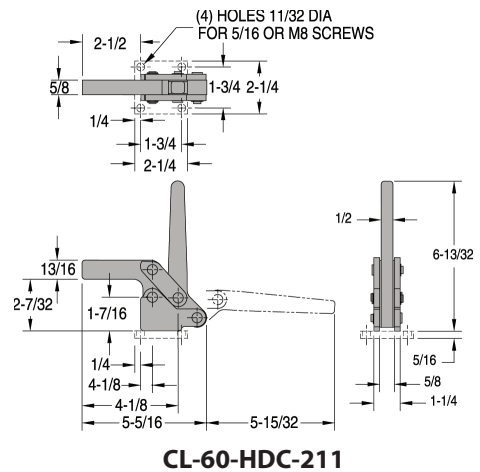
CL-60-HDC-211

High Arm

Medium-size clamp with high strength. Shipping weight 2.5 lbs.

Holding capacity:

2500 lbs



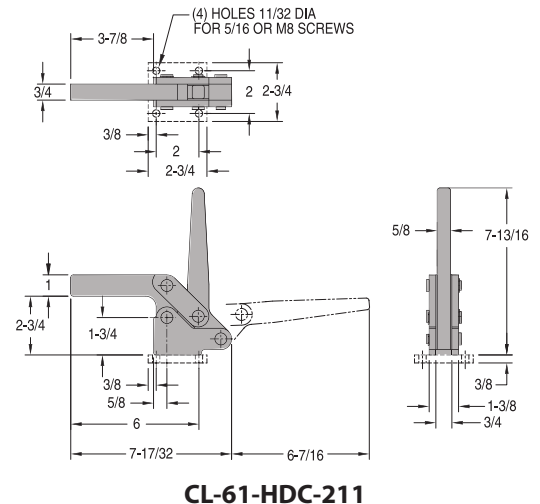
CL-61-HDC-211

High Arm

Largest of the three sizes. Shipping weight 5.0 lbs.

Holding capacity:

5000 lbs

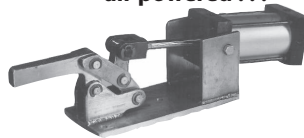


Available with standard flanged base attached . . .



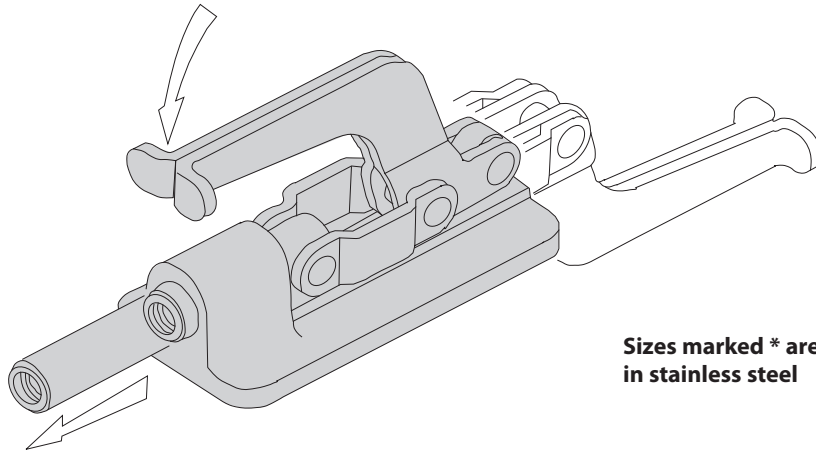
Add "S" to part no.

Also available air powered . . .



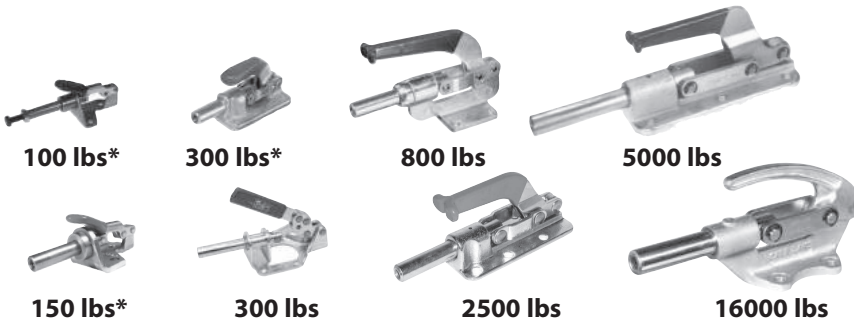
CL-3000-PTC
(INFO+: page 518)

PUSH / PULL TOGGLE CLAMPS



Sizes marked * are also available in stainless steel

All Carr Lane Manufacturing toggle clamps are DFARS and RoHS compliant.



100 lbs*

300 lbs*

800 lbs

5000 lbs

150 lbs*

300 lbs

2500 lbs

16000 lbs

Standard SPC Design pages 491-496

Most popular series of push/pull clamps. Plunger advances and locks by moving the handle forward toward it. Clamp can also be used for pulling instead of pushing (handle locks back in downward position also). Choice of eight sizes.



600 lbs

Horizontal Handle page 497

Reverse-action push clamp. Plunger advances and locks by moving the handle backward into horizontal position.



500 lbs

850 lbs

1500 lbs

PC Design pages 498-499

Durable push/pull clamps with nodular iron bases. Plunger advances and locks by moving the handle forward toward it. Clamp can also be used for pulling instead of pushing (handle locks back in downward position also). Choice of three sizes.



200 lbs*

300 lbs*

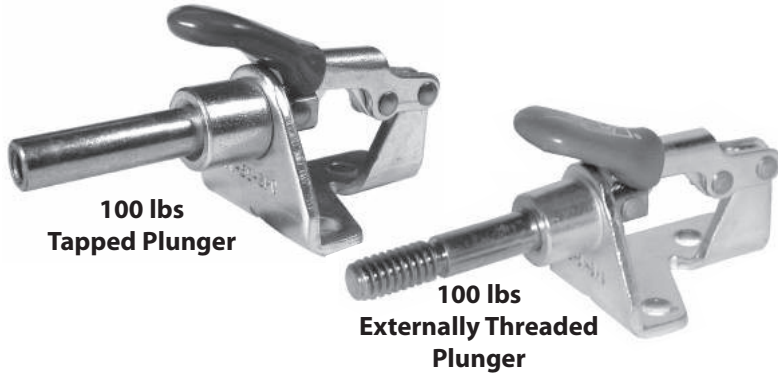
700 lbs

Threaded Body pages 500-501

Compact push/pull clamps for mounting through panels, plates, or angle brackets. Install in a drilled or tapped hole. Plunger locks in either extended or retracted position. Rotate clamp to position handle anywhere within 360°. Choice of three sizes.

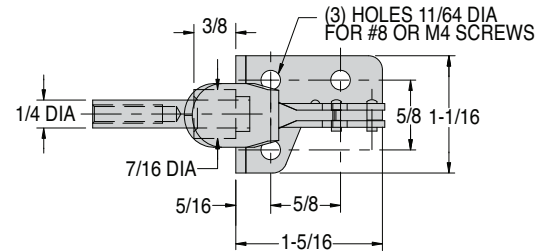
PUSH/PULL TOGGLE CLAMPS

INFO+: SEE PAGE 452 FOR MATERIAL SPECIFICATIONS



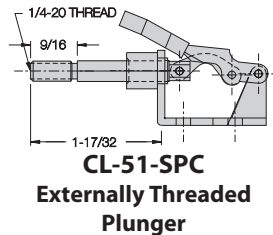
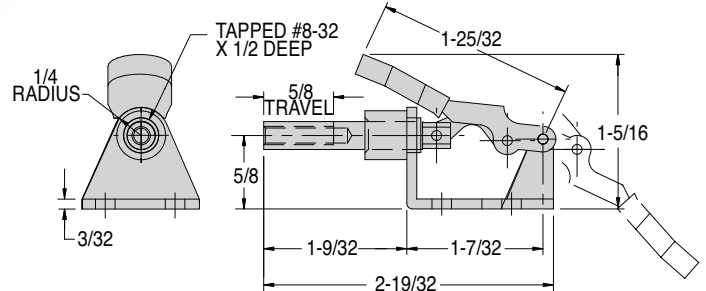
**100 lbs
Tapped Plunger**

**100 lbs
Externally Threaded
Plunger**



CL-50-SPC (Metric No. CLM-50-SPC)

Miniature plunger clamp, perfect for electronics fixturing and other light-duty applications. Locks in extended or retracted position. 5/8" plunger travel. Tapped-plunger version supplied with #8-32 nylon hex-head spindle CL-832203-SA (M4 in metric). Also available with 1/4-20 externally threaded plunger. Shipping weight 0.2 lbs.
Holding capacity: 100 lbs



**CL-51-SPC
Externally Threaded
Plunger**

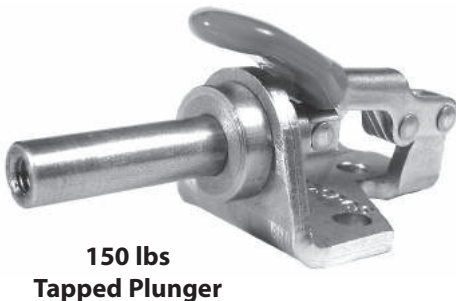
Also available
in stainless steel ...



CL-50-SPC-S

PUSH/PULL TOGGLE CLAMPS

INFO+: SEE PAGE 452 FOR MATERIAL SPECIFICATIONS

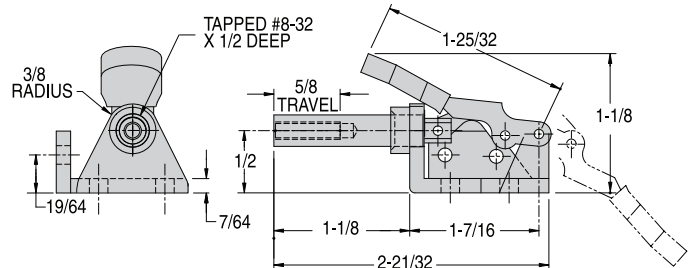
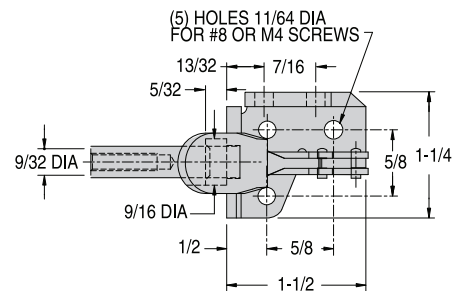


**150 lbs
Tapped Plunger**

Also available
in stainless steel ...



CL-60-SPC-S

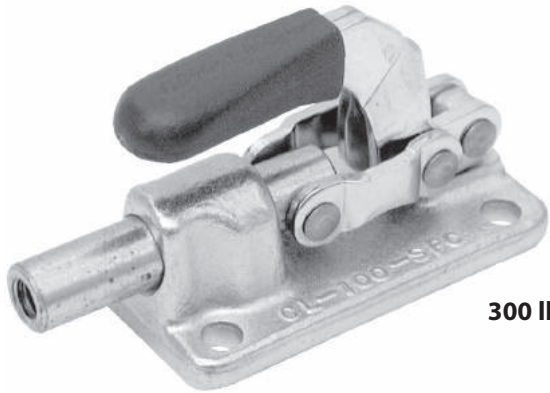


CL-60-SPC (Metric No. CLM-60-SPC)

Heavier-duty version of our smallest plunger clamp above. This is a powerful clamp in an extremely compact size. Unique base allows bottom or side mounting. Locks in extended or retracted position. 5/8" plunger travel. Plunger is tapped to accept any #8-32 spindle (M4 in metric).
INFO+: See pages 522-525 to order. Shipping weight 0.2 lbs.
Holding capacity: 150 lbs

PUSH/PULL TOGGLE CLAMPS

INFO+: SEE PAGE 452 FOR MATERIAL SPECIFICATIONS



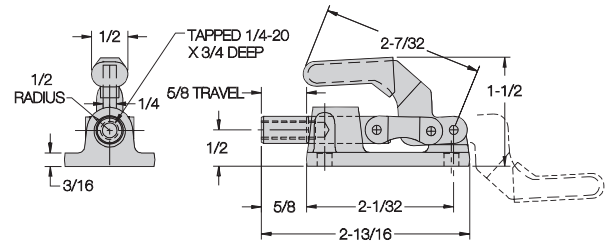
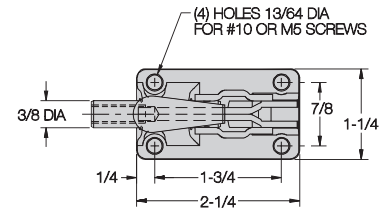
300 lbs

CL-100-SPC (Metric No. CLM-100-SPC)

Tiny, yet extremely powerful plunger clamp with a forged steel base. Requires very little mounting space due to its narrow base and compact low profile. Locks in extended or retracted position. 5/8" plunger travel. Plunger is tapped to accept any 1/4-20 spindle (M6 in metric). **INFO+**: See pages 522-525 to order. Shipping weight 0.5 lbs.

Holding capacity:

300 lbs



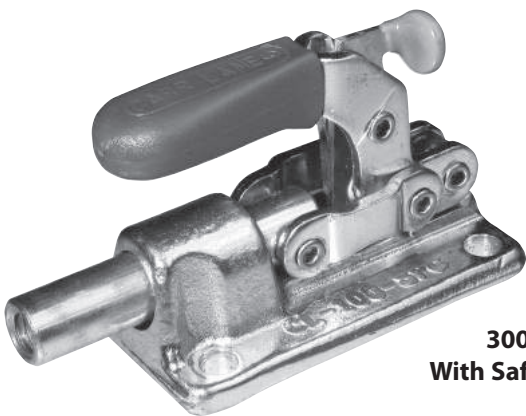
Also available
in stainless steel ...



CL-100-SPC-S

PUSH/PULL TOGGLE CLAMPS

INFO+: SEE PAGE 452 FOR MATERIAL SPECIFICATIONS



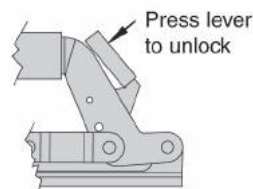
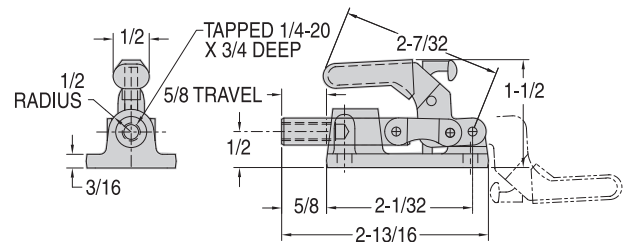
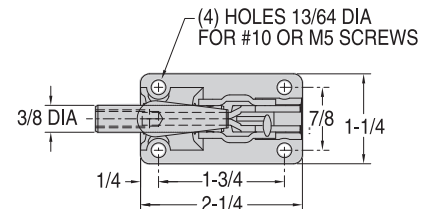
300 lbs
With Safety Lock

CL-100-LSPC (Metric No. CLM-100-LSPC)

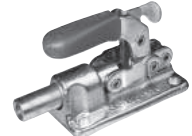
Same as the toggle clamp shown above, except with our unique safety-lock feature. This safety lock automatically engages when the clamp is closed, then remains locked until manually disengaged by pressing the lever before opening. This prevents the clamp from being accidentally opened by bumping the handle. Shipping weight 0.6 lbs.

Holding capacity:

300 lbs



Also available
in stainless steel ...



CL-100-LSPC-S

PUSH/PULL TOGGLE CLAMPS

INFO+: SEE PAGE 452 FOR MATERIAL SPECIFICATIONS

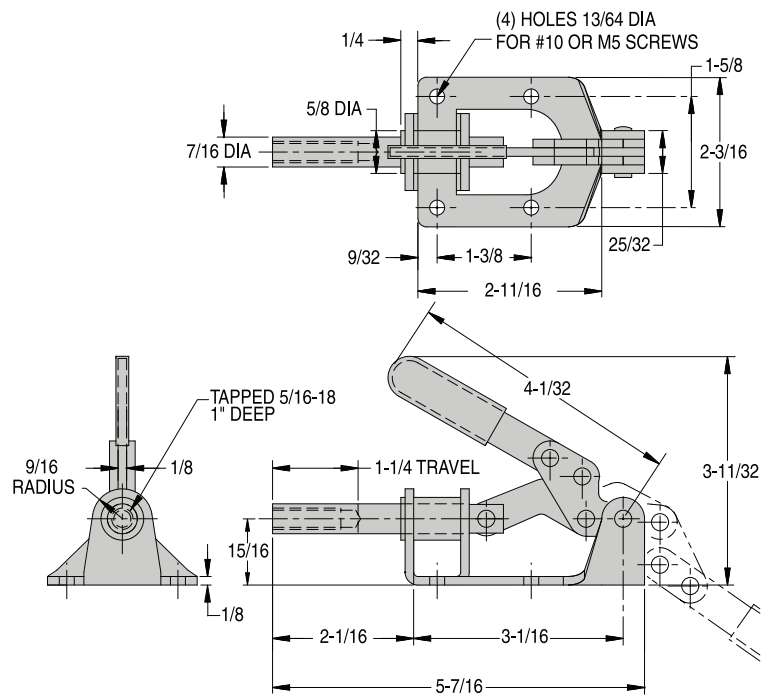


CL-150-SPC (Metric No. CLM-150-SPC)

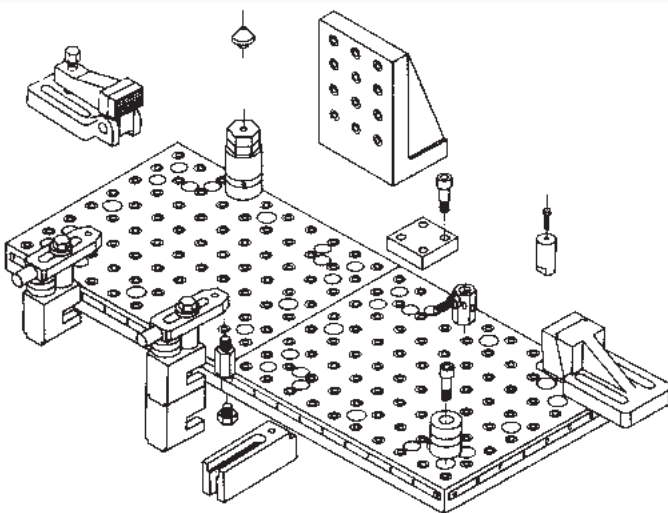
Medium-size plunger clamp that locks in extended or retracted position. 1-1/4" plunger travel. Plunger is tapped to accept any 5/16-18 spindle (M8 in metric). **INFO+**: See pages 522-525 to order. Shipping weight 0.7 lbs.

Holding capacity:

300 lbs



Modular Fixturing



- Ideal for temporary fixturing, for one-time jobs, short or prototype production runs, trial fixturing or while permanent fixtures are built or repaired
- Available in mini, standard and heavy sizes
- Wide range of tooling plates and blocks, finish ground, with multipurpose positioning holes
- Order as components, or in handy starter sets

See Modular Fixturing on pages 415-450

PUSH/PULL TOGGLE CLAMPS

INFO+: SEE PAGE 452 FOR MATERIAL SPECIFICATIONS



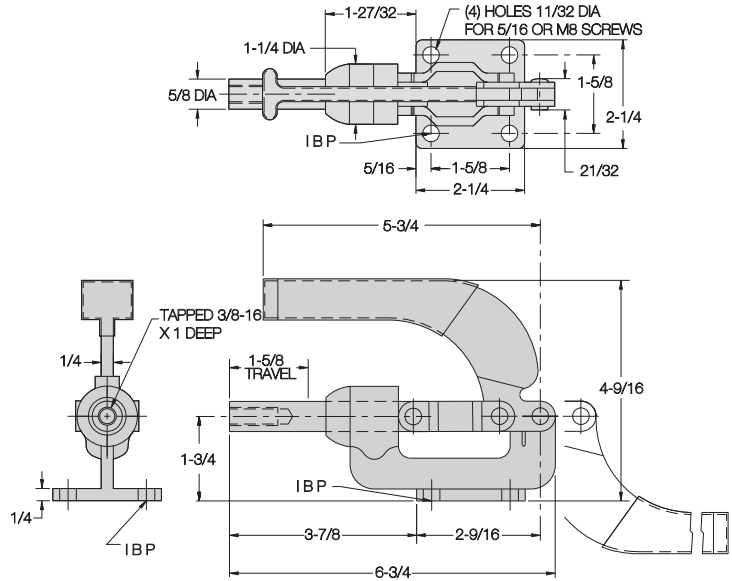
800 lbs

CL-250-SPC (Metric No. CLM-250-SPC)

Heavier clamp with extra plunger height. Locks in extended or retracted position. 1-5/8" plunger travel. Plunger is tapped to accept any 3/8-16 spindle (M10 in metric). **INFO+**: See pages 522-525 to order. Shipping weight 1.9 lbs.

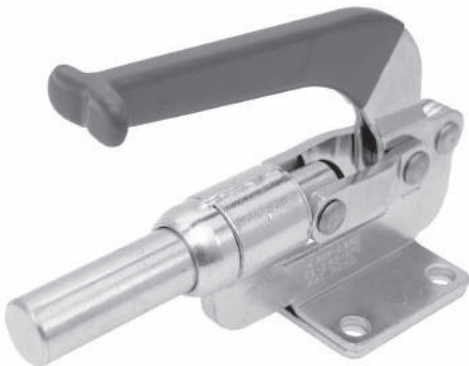
Holding capacity:

800 lbs



PUSH/PULL TOGGLE CLAMPS

INFO+: SEE PAGE 452 FOR MATERIAL SPECIFICATIONS



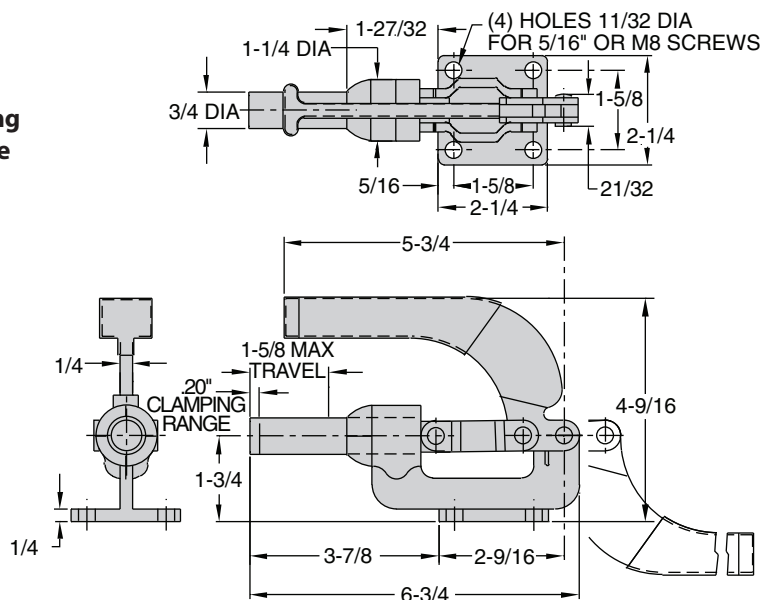
200 lbs
Self-Adjusting
Spring Force

CL-255-SPC

This toggle clamp is the same size as our CL-250-SPC above, and features our patented self-adjusting spring-loaded plunger. The self-adjusting version applies a consistent spring clamping force of 200 lbs (+/- 10%) anywhere within its .20" clamping range. 1-5/8" maximum plunger travel. This version locks only in the "push" direction, and cannot be tapped for a spindle. Optionally available as reverse-acting with a horizontal handle. **Patent no. 6,905,116.** Shipping weight 1.9 lbs.

Spring force (±10%):

200 lbs



PUSH/PULL TOGGLE CLAMPS

INFO+: SEE PAGE 452 FOR MATERIAL SPECIFICATIONS



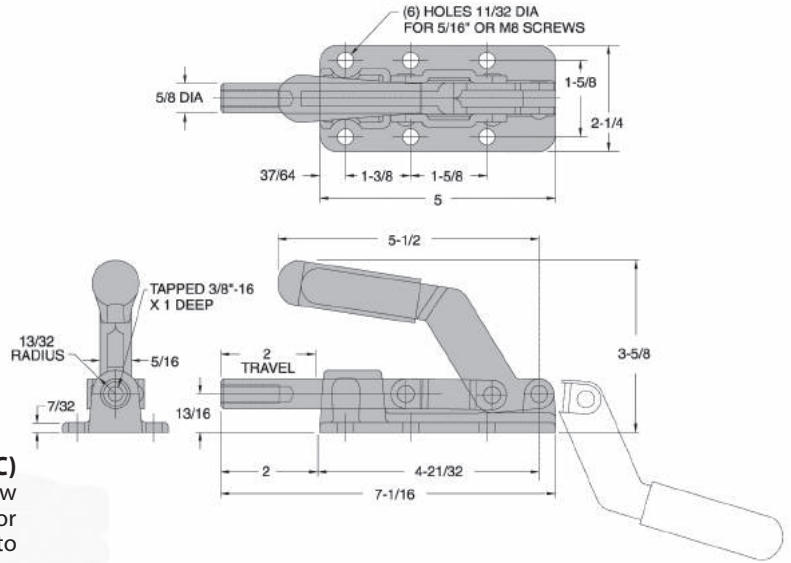
2500 lbs

CL-350-SPC (Metric No. CLM-350-SPC)

Compact heavy-duty plunger clamp with an extremely low profile. Rugged forged steel base. Locks in extended or retracted position. 2" plunger travel. Plunger is tapped to accept any 3/8-16 spindle (M10 in metric). INFO+: See pages 522-525 to order. Shipping weight 2.0 lbs.

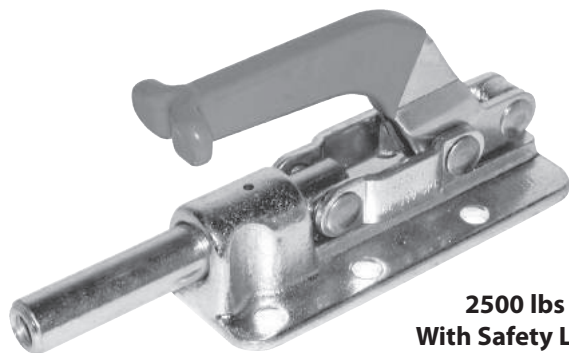
Holding capacity:

2500 lbs



PUSH/PULL TOGGLE CLAMPS

INFO+: SEE PAGE 452 FOR MATERIAL SPECIFICATIONS



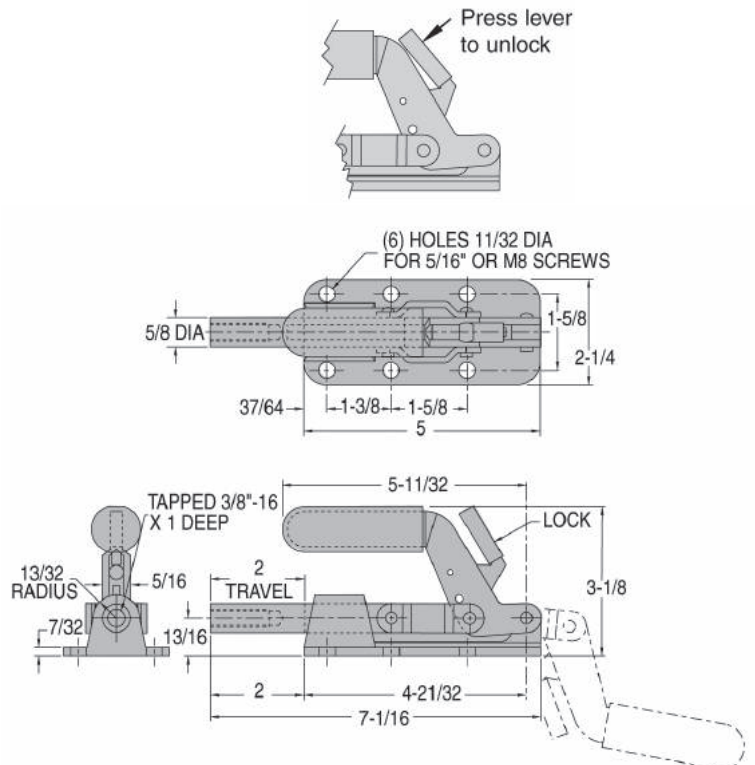
2500 lbs
With Safety Lock

CL-350-LSPC

Same as the toggle clamp shown above, except with our unique safety-lock feature. This safety lock automatically engages when the clamp is closed, then remains locked until manually disengaged by pressing the lever before opening. This prevents the clamp from being accidentally opened by bumping the handle. Shipping weight 2.0 lbs.

Holding capacity:

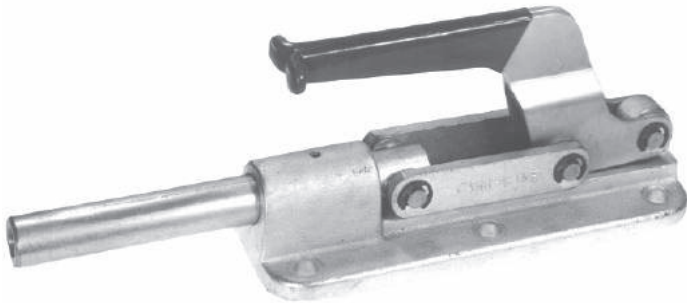
2500 lbs



11

PUSH/PULL TOGGLE CLAMPS

INFO+: SEE PAGE 452 FOR MATERIAL SPECIFICATIONS



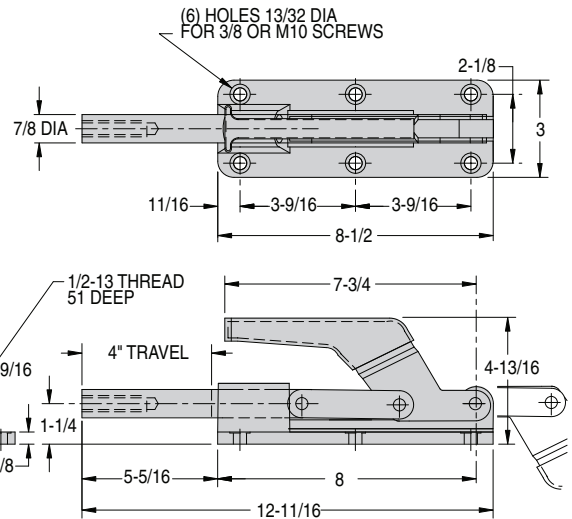
5000 lbs

CL-450-SPC (Metric No. CLM-450-SPC)

Extra-heavy-duty clamp features a full 4" plunger travel! Rugged nodular iron base and a 7/8"-diameter plunger combine to handle the toughest clamping jobs. Locks in extended or retracted position. Plunger is tapped to accept any 1/2-13 spindle (M12 in metric). **INFO+**: See pages 522-525 to order. Shipping weight 7.0 lbs.

Holding capacity:

5000 lbs



PUSH/PULL TOGGLE CLAMPS

INFO+: SEE PAGE 452 FOR MATERIAL SPECIFICATIONS



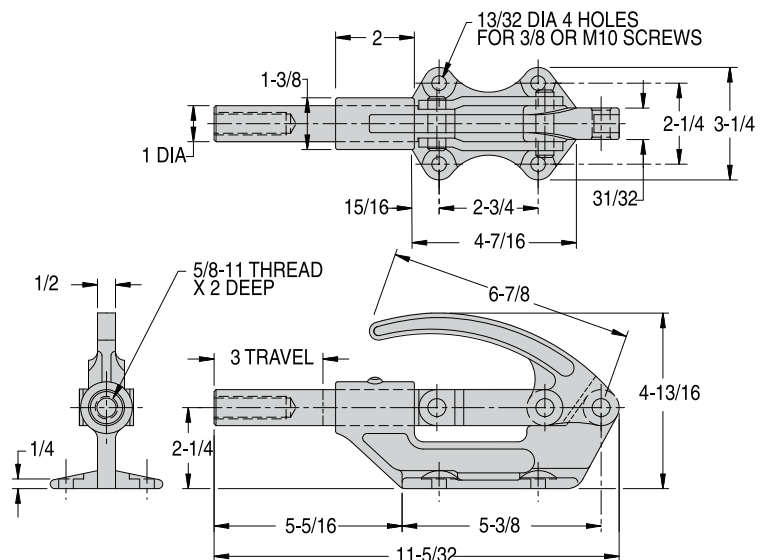
16000 lbs

CL-650-SPC (Metric No. CLM-650-SPC)

Strongest plunger clamp available. Handle and base are made of alloy steel. Precision unit with snap-ring pivot pins to allow removing the plunger even after the clamp is mounted. Locks in extended or retracted position. 3" plunger travel. Plunger is tapped to accept any 5/8-11 spindle (M16 in metric). **INFO+**: See pages 522-525 to order. Shipping weight 5.7 lbs.

Holding capacity:

16000 lbs



PUSH/PULL TOGGLE CLAMPS

INFO+: SEE PAGE 452 FOR MATERIAL SPECIFICATIONS

600 lbs

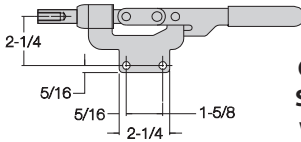
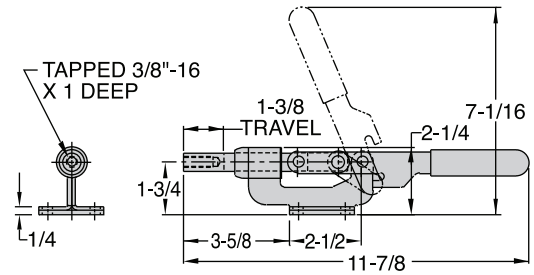
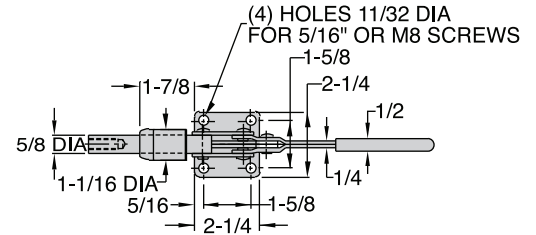


CL-275-SPC (Metric No. CLM-275-SPC)

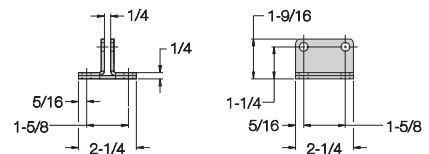
Similar to CL-250-SPC except with reverse handle action. Plunger advances and locks by moving handle backward into horizontal position. 1-3/16" plunger travel. Plunger is tapped to accept any 3/8-16 spindle (M10 in metric). **INFO+**: See pages 522-525 to order. Straight-base version supplied with separate base bracket to allow mounting clamp at an angle. Shipping weight 1.5 lbs.

Holding capacity:

600 lbs



CL-276-SPC
Straight Base
with Bracket



Bracket included with CL-276-SPC

PUSH/PULL TOGGLE CLAMPS

INFO+: SEE PAGE 452 FOR MATERIAL SPECIFICATIONS

200 lbs Spring Force
Self-Adjusting Plunger

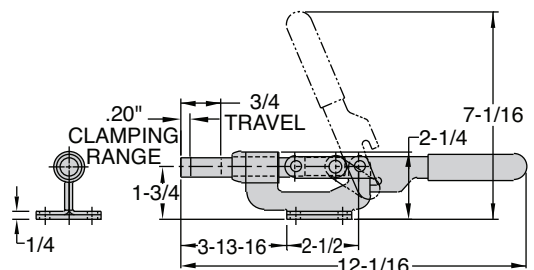
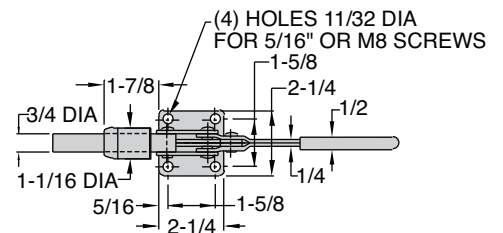


CL-285-SPC

This reverse-action toggle clamp is the same size as our CL-275-SPC above, and features our patented self-adjusting spring-loaded plunger. Reverse action advances and locks the plunger by pivoting the handle backward into horizontal position. The self-adjusting version applies a consistent spring clamping force of 200 lbs (+/-10%) anywhere within its .20" clamping range. 1-3/16" maximum plunger travel. This version locks only in the "push" direction, and cannot be tapped for a spindle. **Patent no. 6,905,116.** Shipping weight 1.5 lbs.

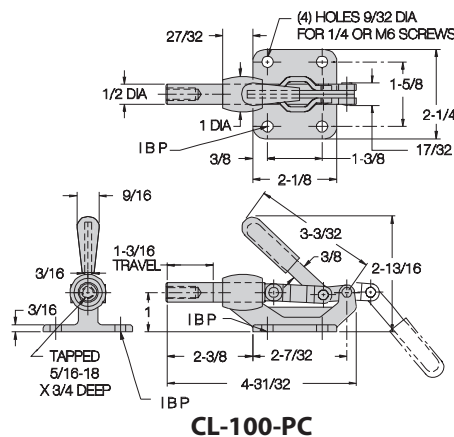
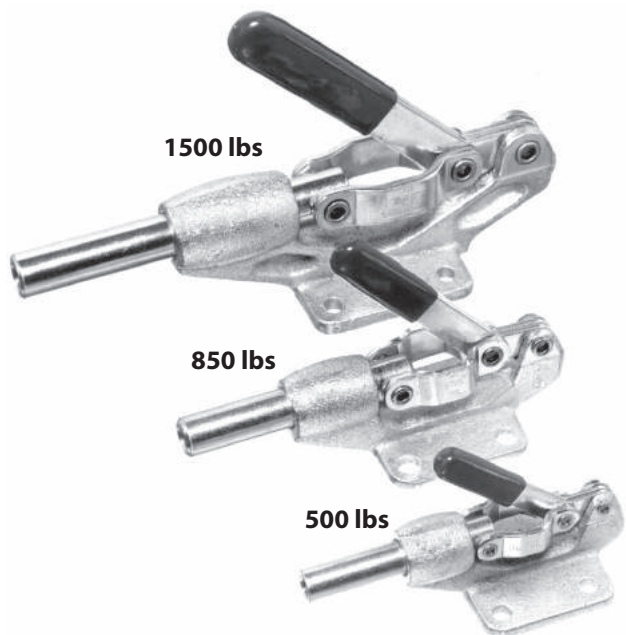
Spring force (±10%):

200 lbs



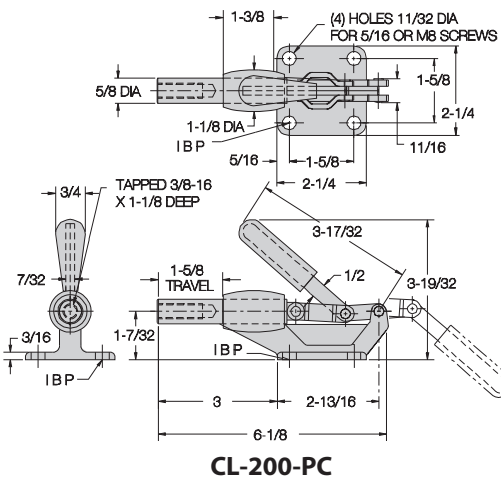
PUSH/PULL TOGGLE CLAMPS

INFO+: SEE PAGE 452 FOR MATERIAL SPECIFICATIONS

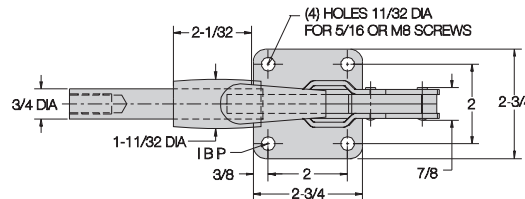


Durable plunger clamp with nodular iron base. Locks in either extended or retracted position. Choice of three sizes.

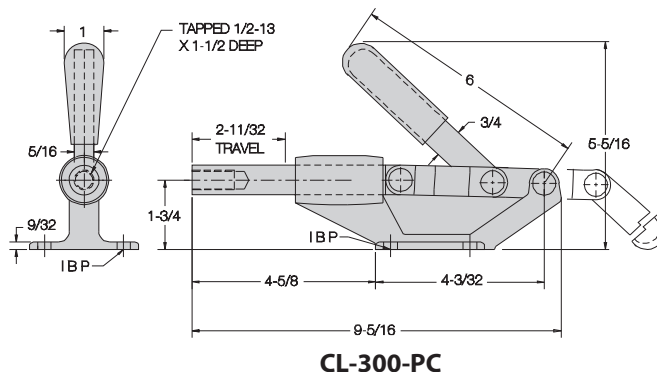
CL-100-PC (Metric No. CLM-100-PC)
 Small-size clamp with 1-3/16" plunger travel. Accepts any 5/16-18 spindle (M8 in metric). **INFO+**: See pages 522-525 to order. Shipping weight 0.9 lbs.
Holding capacity: 500 lbs



CL-200-PC (Metric No. CLM-200-PC)
 Medium-size clamp with 1-5/8" plunger travel. Accepts any 3/8-16 spindle (M10 in metric). **INFO+**: See pages 522-525 to order. Shipping weight 1.4 lbs.
Holding capacity: 850 lbs

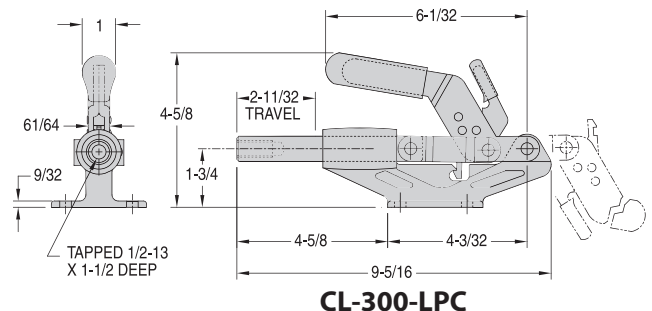
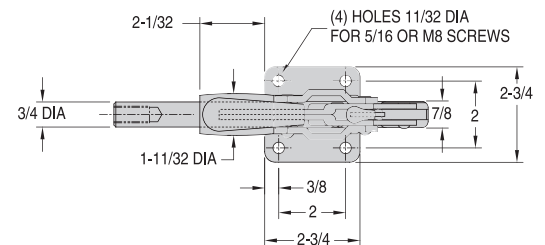
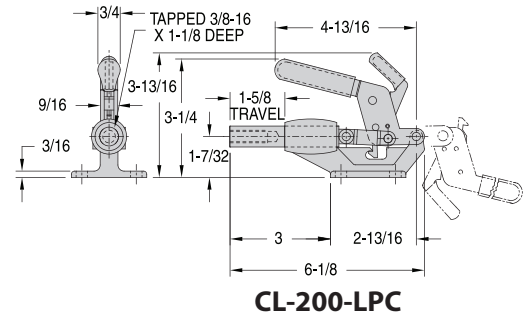
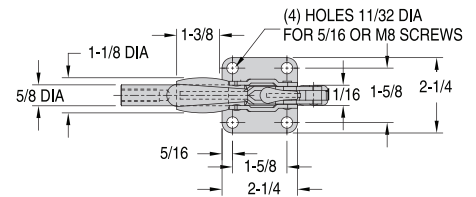
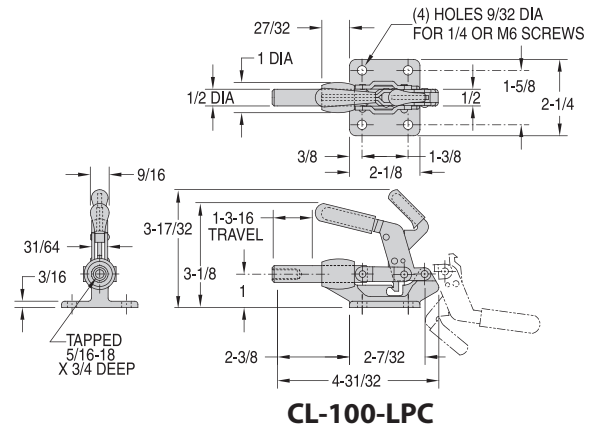
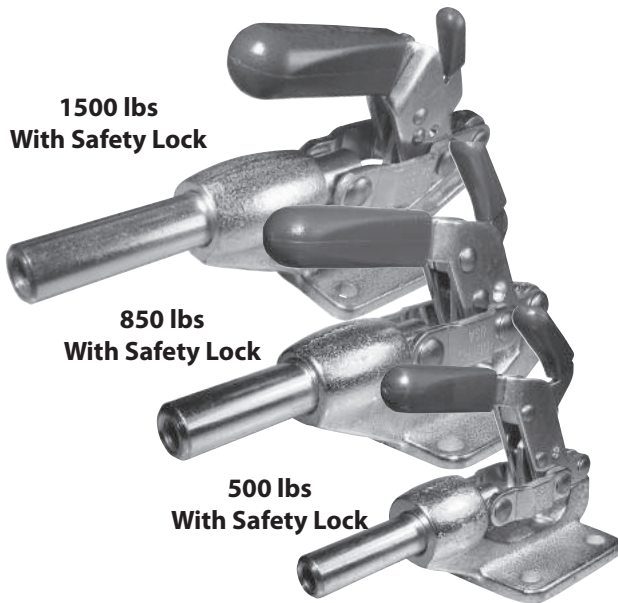


CL-300-PC (Metric No. CLM-300-PC)
 Large-size clamp with 2-11/32" plunger travel. Accepts any 1/2-13 spindle (M12 in metric). **INFO+**: See pages 522-525 to order. Shipping weight 3.2 lbs.
Holding capacity: 1500 lbs



PUSH/PULL TOGGLE CLAMPS

INFO+: SEE PAGE 452 FOR MATERIAL SPECIFICATIONS



INFO+: Same as the toggle clamps shown on page 498, except with our unique safety-lock feature. This safety lock automatically engages when the clamp is closed, then remains locked until manually disengaged by pressing the lever before opening. This prevents the clamp from being accidentally opened by bumping the handle.

Durable plunger clamp with nodular iron base. Locks in extended or retracted position (safety lock functions only in extended position). Choice of three sizes.

CL-100-LPC

Small-size clamp with 1-3/16" plunger travel. Accepts any 5/16-18 spindle. **INFO+:** See pages 522-525 to order. Shipping weight 0.9 lbs.

Holding capacity: 500 lbs

CL-200-LPC

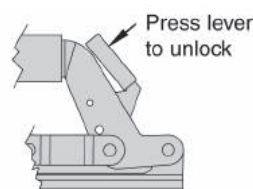
Medium-size clamp with 1-5/8" plunger travel. Accepts any 3/8-16 spindle. **INFO+:** See pages 522-525 to order. Shipping weight 1.4 lbs.

Holding capacity: 850 lbs

CL-300-LPC

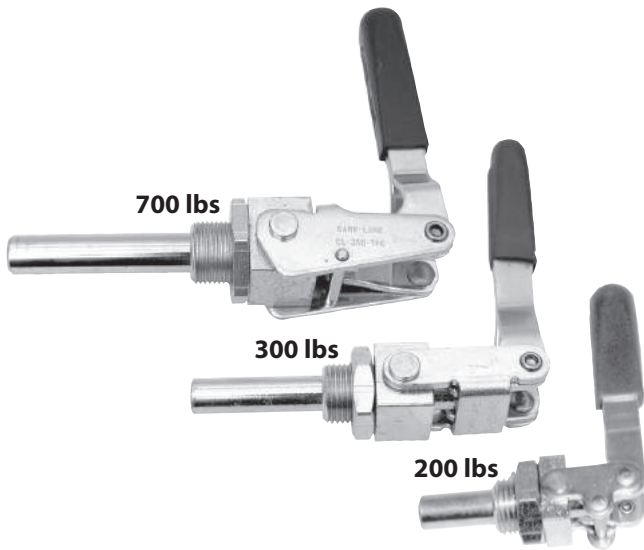
Large-size clamp with 2-11/32" plunger travel. Accepts any 1/2-13 spindle. **INFO+:** See pages 522-525 to order. Shipping weight 3.2 lbs.

Holding capacity: 1500 lbs



PUSH/PULL TOGGLE CLAMPS

INFO+: SEE PAGE 452 FOR MATERIAL SPECIFICATIONS



Compact plunger clamps for mounting through panels, plates, or angle brackets. Install in a drilled or tapped hole, securing with the locknut provided. Plunger locks in either extended or retracted position. Rotate clamp to position handle anywhere within 360°. Choice of three sizes.

CL-150-TPC (Metric No. CLM-150-TPC)

Small-size clamp with 3/4" plunger travel. Installs in a 5/8"-diameter drilled hole, or a 5/8-18 tapped hole (M16x1.5 in metric). Accepts any 1/4-20 spindle (M6 in metric). **INFO+**: See pages 522-525 to order. Shipping weight 0.4 lbs.

Holding capacity: 200 lbs

CL-250-TPC (Metric No. CLM-250-TPC)

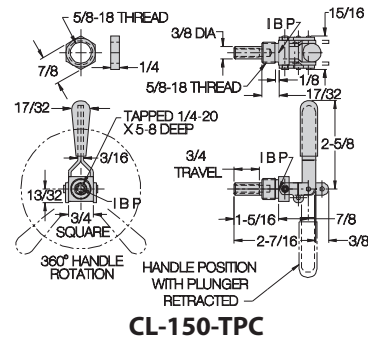
Medium-size clamp with 1-1/2" plunger travel. Installs in a 3/4"-diameter drilled hole, or a 3/4-16 tapped hole (M20x1.5 in metric). Accepts any 5/16-18 spindle (M8 in metric). **INFO+**: See pages 522-525 to order. Shipping weight 0.7 lbs.

Holding capacity: 300 lbs

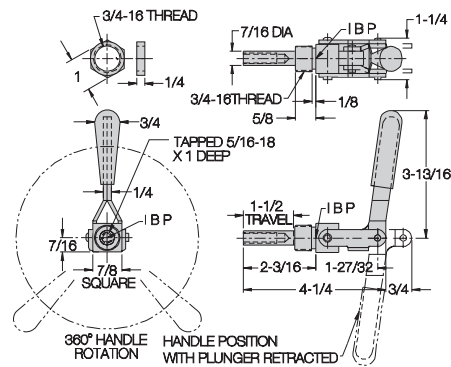
CL-350-TPC (Metric No. CLM-350-TPC)

Large-size clamp with 2-5/8" plunger travel. Installs in a 1"-diameter drilled hole, or a 1"-14 (M27x2 in metric) tapped hole. Accepts any 3/8-16 spindle (M10 in metric). **INFO+**: See pages 522-525 to order. Shipping weight 1.5 lbs.

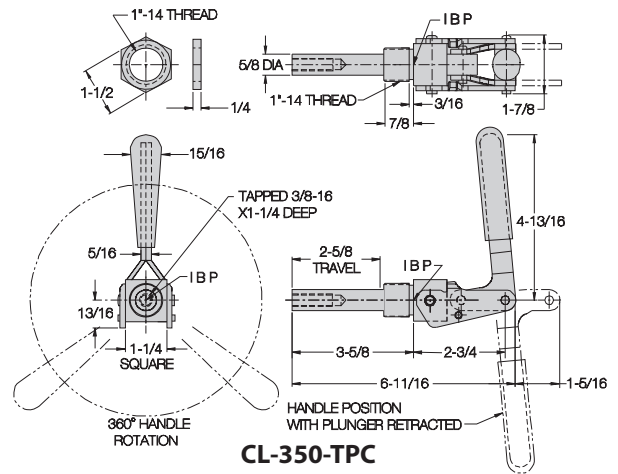
Holding capacity: 700 lbs



CL-150-TPC

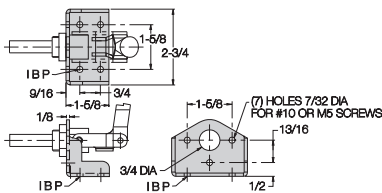


CL-250-TPC



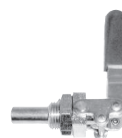
CL-350-TPC

Mounting Bracket for CL-250-TPC:



CL-250-TPCA

Also available in stainless steel ...



CL-150-TPC-S
200 lbs



CL-250-TPC-S
300 lbs



CL-350-TPC-S
700 lbs

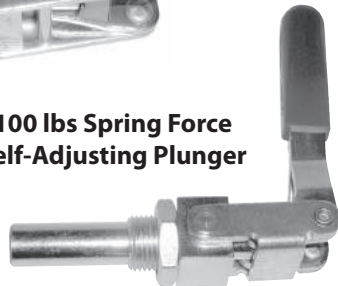
PUSH/PULL TOGGLE CLAMPS

INFO+: SEE PAGE 452 FOR MATERIAL SPECIFICATIONS

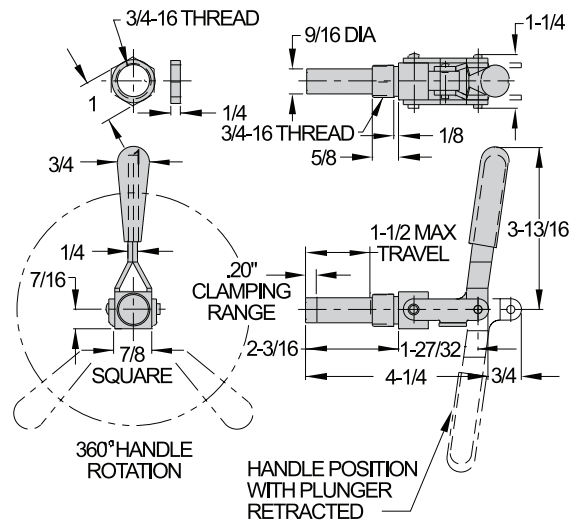
**200 lbs Spring Force
Self-Adjusting Plunger**



**100 lbs Spring Force
Self-Adjusting Plunger**



These toggle clamps are the same size as our CL-250-TPC and CL-350-TPC on the opposite page, and feature our patented self-adjusting spring-loaded plunger. The self-adjusting version applies a consistent spring clamping force anywhere within its clamping range. This version locks only in the "push" direction, and cannot be tapped for a spindle. Compact plunger clamps for mounting through panels, plates, or angle brackets. Install in a drilled or tapped hole, securing with the locknut provided. Rotate clamp to position handle anywhere within 360°. **Patent no. 6,905,116.** Choice of two sizes.



CL-255-TPC

CL-255-TPC

This medium-size self-adjusting clamp applies a consistent spring clamping force of 100 lbs (+/-10%) anywhere within its .20" clamping range. 1-1/2" maximum plunger travel. Installs in a 3/4"-diameter drilled hole, or a 3/4-16 tapped hole. Shipping weight 0.7 lbs.

Spring force (±10%):

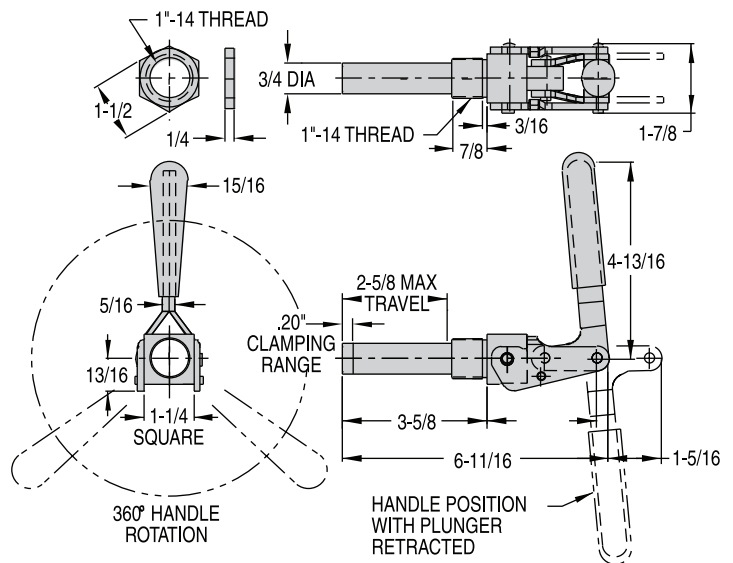
100 lbs

CL-355-TPC

This large-size self-adjusting clamp applies a consistent spring clamping force of 200 lbs (+/-10%) anywhere within its .20" clamping range. 2-5/8" maximum plunger travel. Installs in a 1"-diameter drilled hole, or a 1"-14 tapped hole. Shipping weight 1.5 lbs.

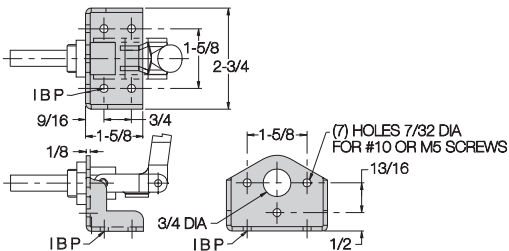
Spring force (±10%):

200 lbs



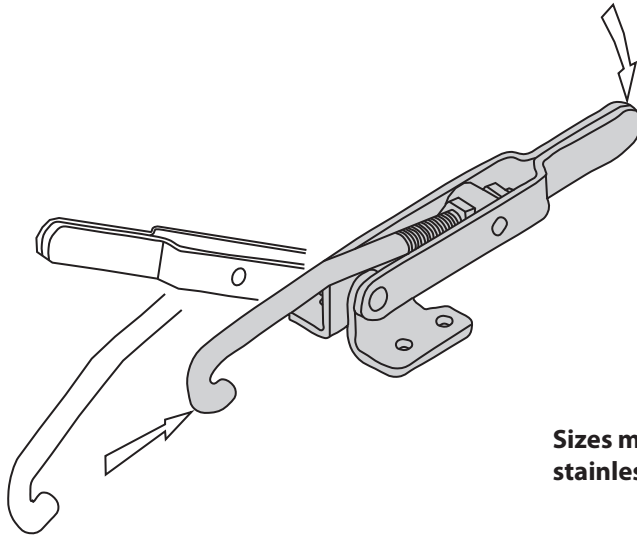
CL-355-TPC

Mounting Bracket for CL-255-TPC:



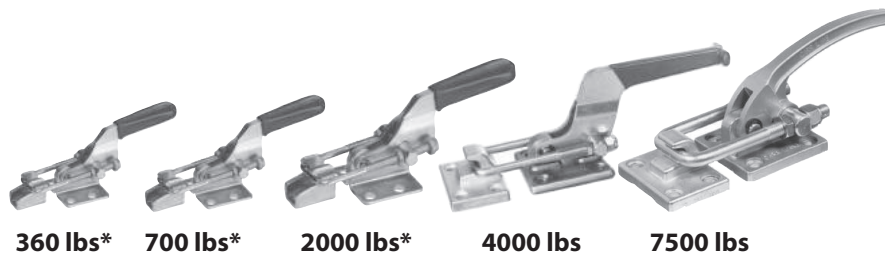
CL-250-TPCA

LATCH-ACTION TOGGLE CLAMPS



Sizes marked * are also available in stainless steel

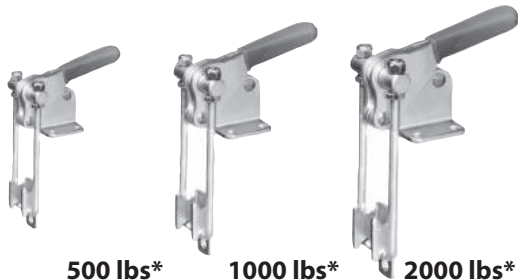
All Carr Lane Manufacturing toggle clamps are DFARS and RoHS compliant.



360 lbs* 700 lbs* 2000 lbs* 4000 lbs 7500 lbs

Adjustable U Bolt pages 504-507

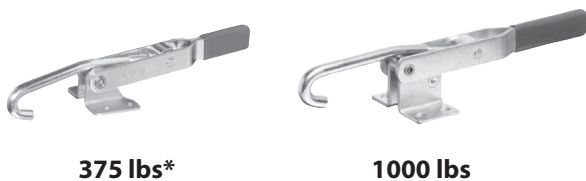
Latch-action clamp with a threaded U bolt for adjustability. Supplied with matching latch plate (smallest three sizes). Large, comfortable handle grip. Available in five sizes.



500 lbs* 1000 lbs* 2000 lbs*

Right-Angle Adjustable U Bolt page 508

Similar to the latch clamp above, except with its pulling direction perpendicular to the base. Supplied with matching latch plate. Large, comfortable handle grip. Available in three sizes.



375 lbs* 1000 lbs

Adjustable Hook page 503

Popular hook-type latch clamp. Hook is threaded at one end for easy adjustment. Base rotates 90° to allow horizontal or vertical latching. Available in two sizes.



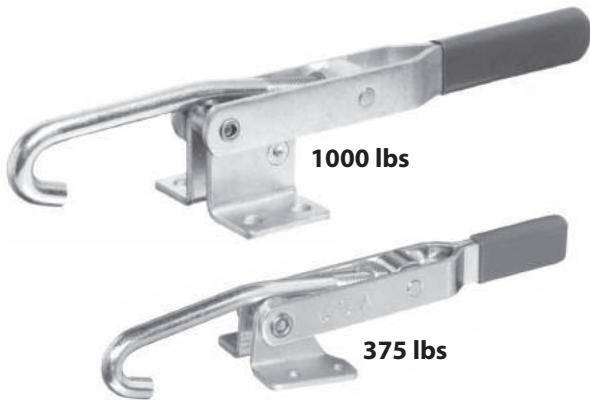
375 lbs*

Fixed Length page 509

Latch clamp with fixed reach for installation where no length adjustment is required. Adjustable stop allows latching at different heights.

LATCH-ACTION TOGGLE CLAMPS

INFO+: SEE PAGE 452 FOR MATERIAL SPECIFICATIONS



Latch clamp with a versatile hook for grasping a rod or rim. Hook is threaded at one end to allow adjustment after mounting. Base pivots to allow horizontal or vertical latching. Choice of two sizes. Optional latch plate can be mounted as shown in the drawings, or reversed, for mounting flexibility.

CL-250-PA

Medium-size latch clamp with a 4-inch drawing movement. Threaded hook allows a 5/16-inch adjustment range. Shipping weight 0.8 lbs. Order matching latch plate CL-250-PA-L separately (CL-250-PA-S-L in stainless).

Holding capacity: 375 lbs

CL-350-PA

Large-capacity latch clamp with 6-1/8-inch drawing movement. Threaded hook allows a 3/4-inch adjustment range. Shipping weight 2.5 lbs. Order matching latch plate CL-350-PA-L separately.

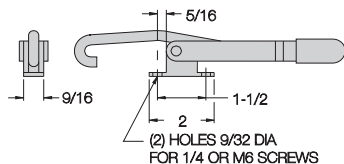
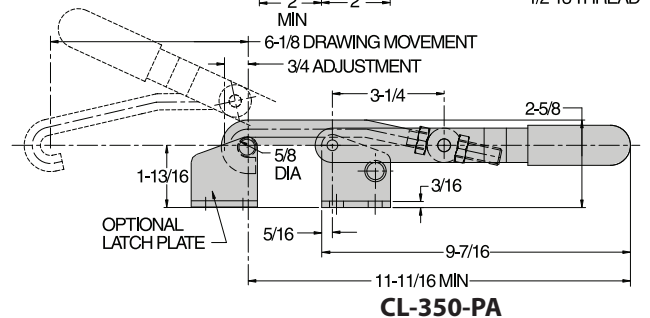
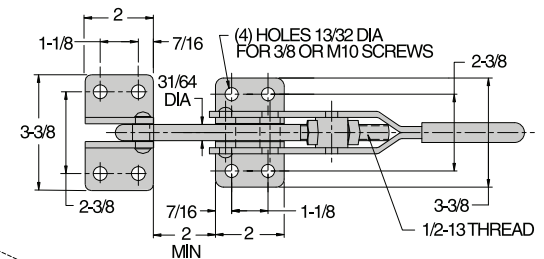
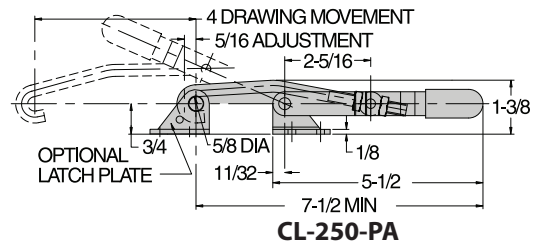
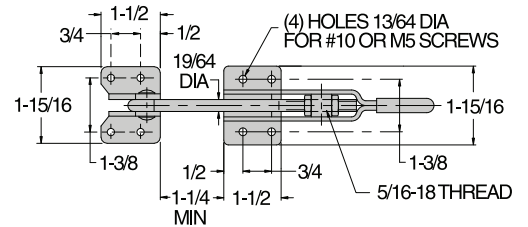
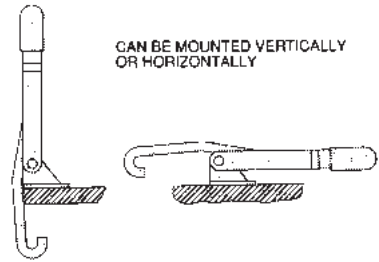
Holding capacity: 1000 lbs



CL-257-PA

Same as CL-250-PA except with a manual safety lock. Push knob in to lock, pull knob out to unlock.

Holding capacity: 375 lbs



CL-251-PA
Narrow Base
375 lbs

Also available in stainless steel ...



CL-250-PA-S

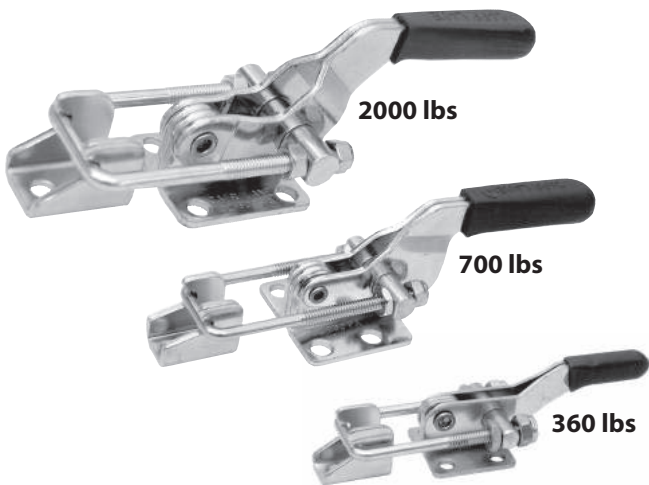
Extra hooks available ...



CL-250-PA-HOOK
CL-250-PA-S-HOOK
CL-350-PA-HOOK

LATCH-ACTION TOGGLE CLAMPS

INFO+: SEE PAGE 452 FOR MATERIAL SPECIFICATIONS



Versatile latch clamp with a threaded U bolt for adjustability. Supplied with matching latch plate. Large, comfortable handle grip. Available in three sizes (INFO+: See page 505 for two larger sizes).

CL-100-PA

Miniature latch clamp with high holding capacity. 1-3/16-inch drawing movement. Threaded U bolt allows a 25/64-inch adjustment range. Shipping weight 0.2 lbs.

Holding capacity: 360 lbs

CL-200-PA

Medium-size latch clamp with 2-inch drawing movement. Threaded U bolt allows a 3/8-inch adjustment range. Shipping weight 0.4 lbs.

Holding capacity: 700 lbs

CL-300-PA

Heavy-duty latch clamp. Well-suited for applications such as plastic molding. 2-1/2-inch drawing movement. Threaded U bolt allows a 15/16-inch adjustment range. Shipping weight 1.5 lbs.

Holding capacity: 2000 lbs

Also available in stainless steel...



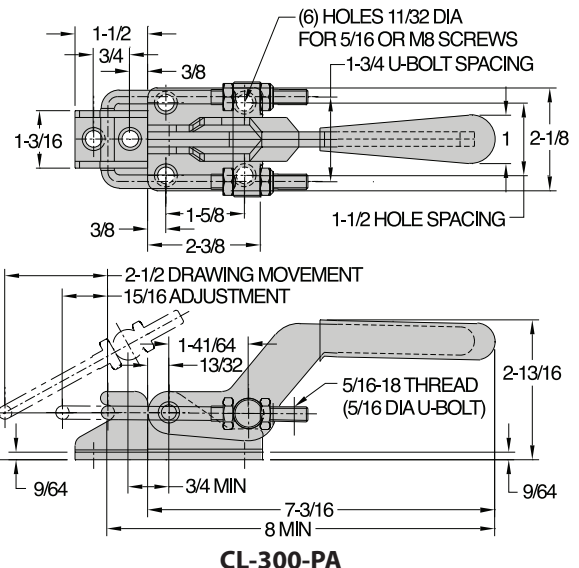
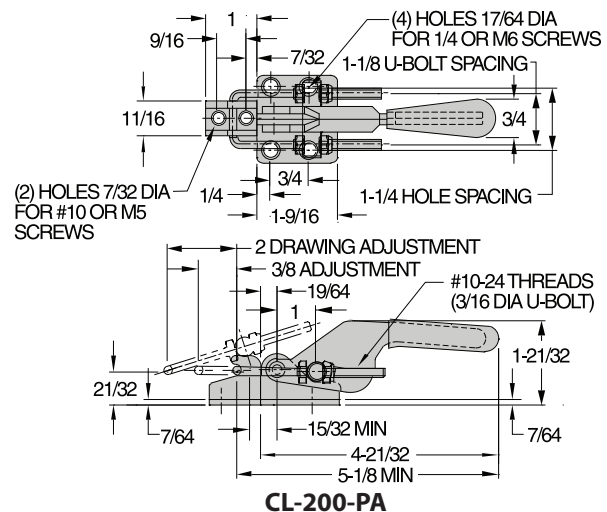
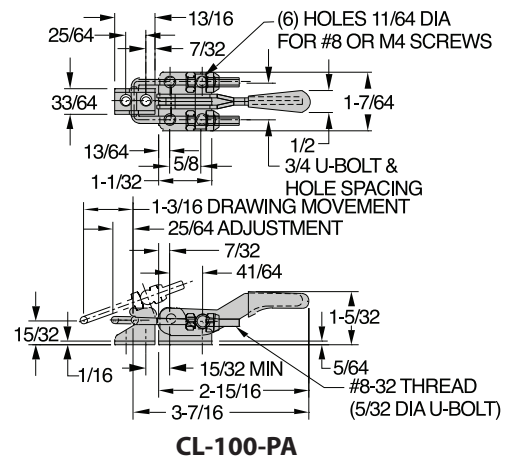
CL-100-PA-S
360 lbs



CL-200-PA-S
700 lbs

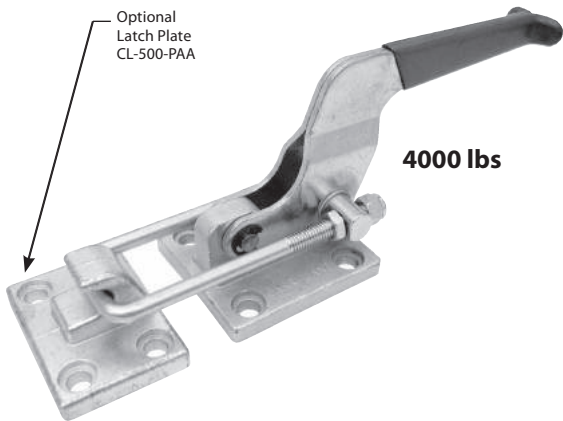


CL-300-PA-S
2000 lbs



LATCH-ACTION TOGGLE CLAMPS

INFO+: SEE PAGE 452 FOR MATERIAL SPECIFICATIONS

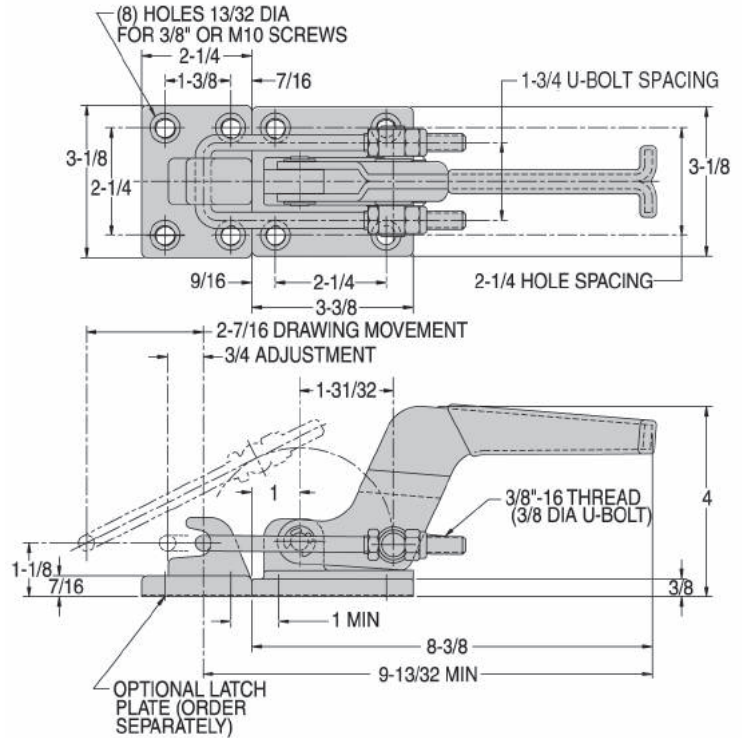


CL-400-PA

INFO+: Heavier-duty version of the latch clamps on page 516. Strong enough to resist the high expansion forces generated in polyurethane molds. Rugged alloy steel base and latch plate (order latch plate separately). Threaded U bolt allows a 3/4-inch adjustment range. 2-7/16" drawing movement. Shipping weight 2.8 lbs.

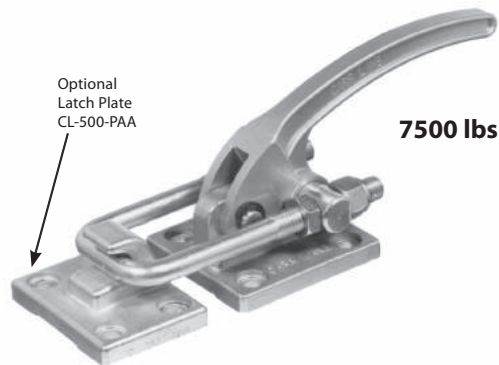
Holding capacity:

4000 lbs



LATCH-ACTION TOGGLE CLAMPS

INFO+: SEE PAGE 452 FOR MATERIAL SPECIFICATIONS



CL-500-PA

Strongest latch clamp available. Alloy steel handle provides even greater strength than the CL-400-PA above, yet with a more-compact overall size. Rugged alloy steel base and latch plate (order latch plate separately). Threaded U bolt allows a 1-1/8-inch adjustment range. 1-3/8" drawing movement. Shipping weight 3.3 lbs.

Holding capacity:

7500 lbs

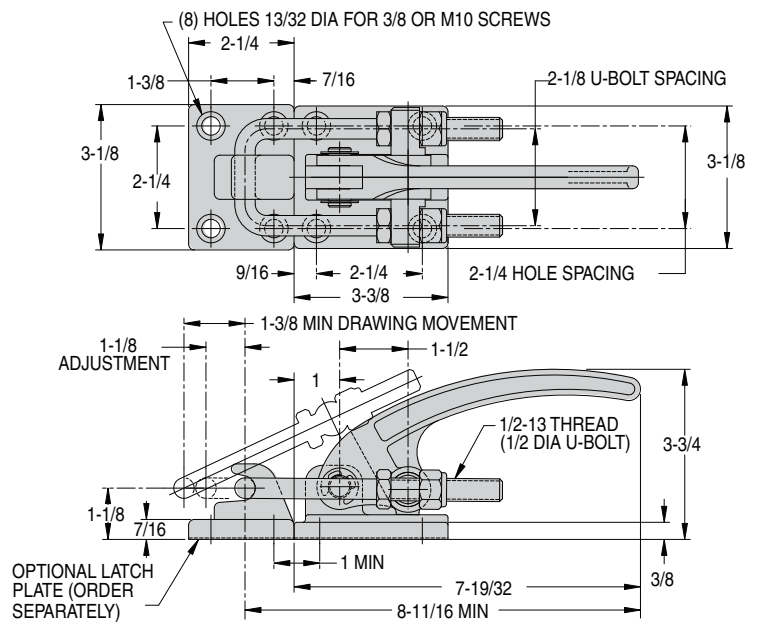
Also available in stainless steel...



CL-500-PA-S (Clamp)

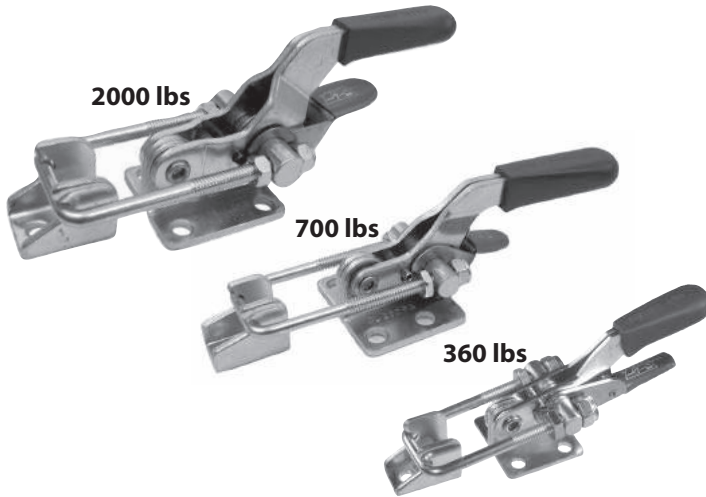


CL-500-PAA-S (Latch Plate)



LATCH-ACTION TOGGLE CLAMPS

INFO+: SEE PAGE 452 FOR MATERIAL SPECIFICATIONS



INFO+: Same as our latch clamps on page 504 except with safety-lock feature. This safety lock automatically engages when the clamp is closed, then remains locked until manually disengaged by pressing the lever before opening. This prevents the latch clamp from being accidentally opened by bumping the handle.

Versatile latch clamp with a threaded U bolt for adjustability. Supplied with matching latch plate. Large, comfortable handle grip. Available in two sizes (INFO+: also see page 505 for two larger sizes).

CL-100-LPA

Miniature latch action clamp with high holding capacity. 1-3/16-inch drawing movement. Threaded U bolt allows a 25/64-inch adjustment range. Shipping weight 0.2 lbs.

Holding capacity: 360 lbs

CL-200-LPA

Medium-size latch clamp with 2-inch drawing movement. Threaded U bolt allows a 3/8-inch adjustment range. Shipping weight 0.4 lbs.

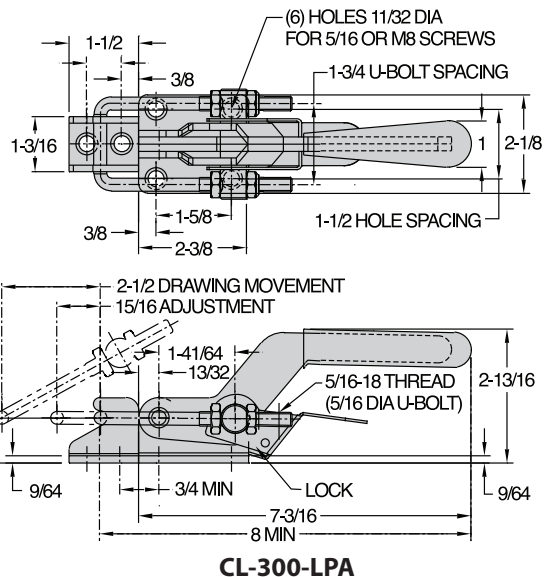
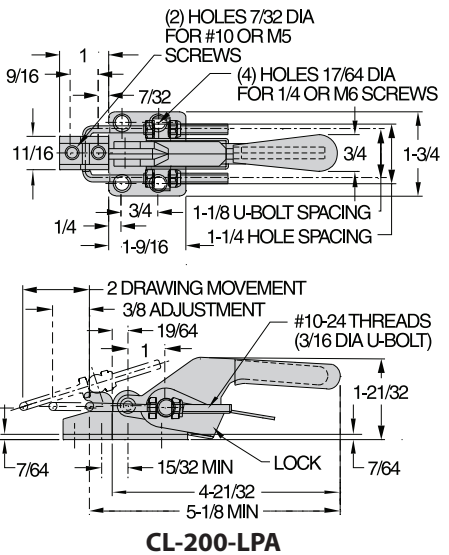
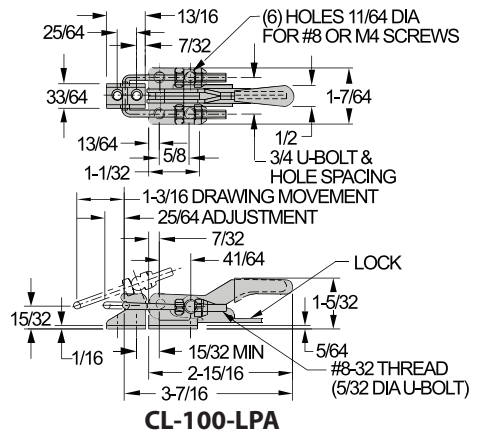
Holding capacity: 700 lbs

CL-300-LPA

Heavy-duty latch clamp. Well-suited for applications such as plastic molding. 2-1/2-inch drawing movement. Threaded U bolt allows a 15/16-inch adjustment range. Shipping weight 1.5 lbs.

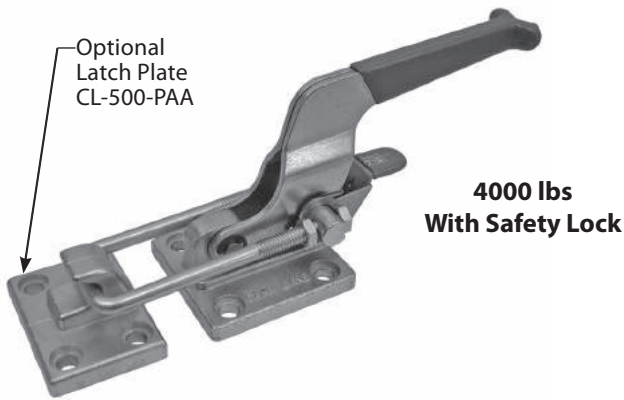
Holding capacity: 2000 lbs

Also available in stainless steel...



LATCH-ACTION TOGGLE CLAMPS

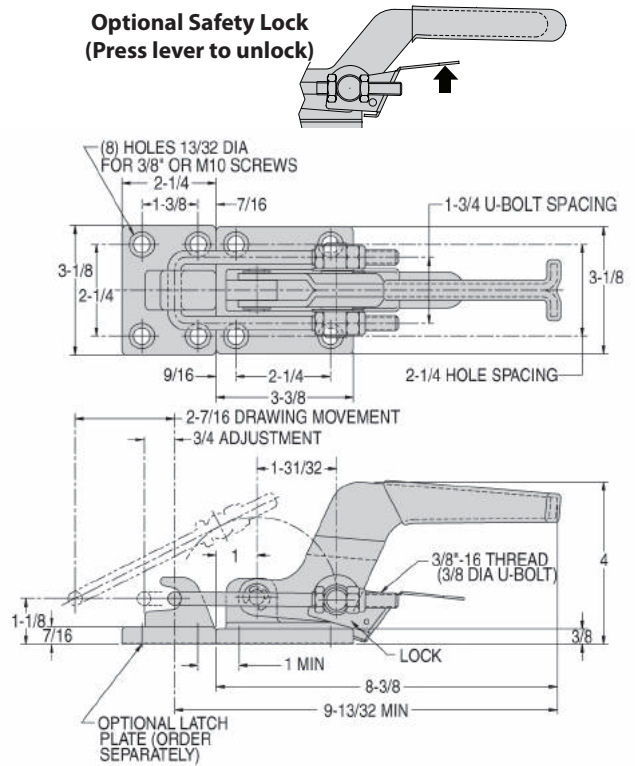
INFO+: SEE PAGE 452 FOR MATERIAL SPECIFICATIONS



CL-400-LPA

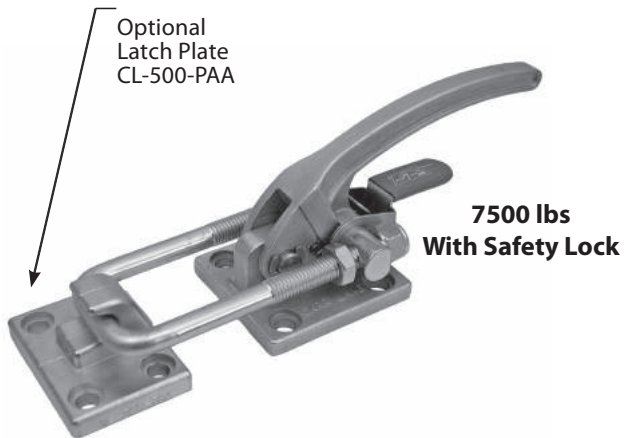
INFO+: Same as our latch clamps on page 505 except with our unique safety-lock feature. This safety lock automatically engages when the clamp is closed, then remains locked until manually disengaged by pressing the lever before opening. This prevents the latch clamp from being accidentally opened by bumping the handle. Rugged alloy steel base and latch plate (order latch plate separately). Threaded U bolt allows a 3/4-inch adjustment range. 2-7/16" drawing movement. Shipping weight 2.8 lbs.

Holding capacity: 4000 lbs



LATCH-ACTION TOGGLE CLAMPS

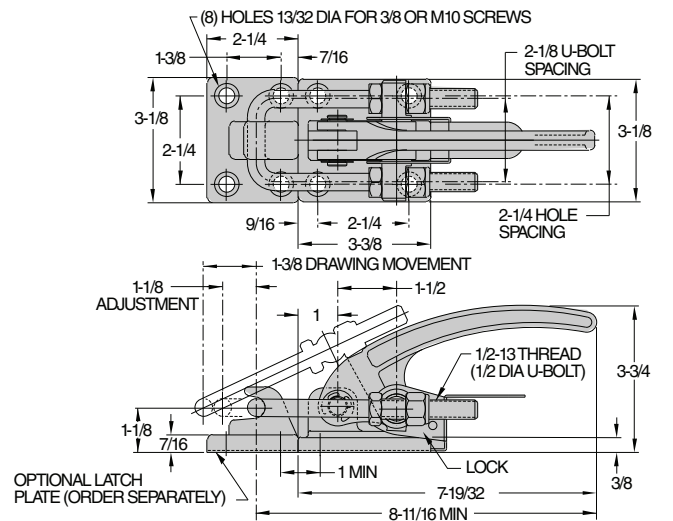
INFO+: SEE PAGE 452 FOR MATERIAL SPECIFICATIONS



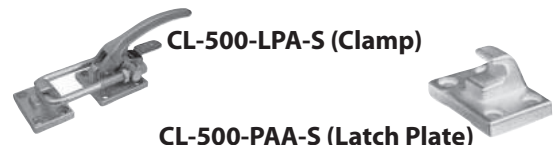
CL-500-LPA

INFO+: Same as our latch clamps on page 505 except with our unique safety-lock feature. This safety lock automatically engages when the clamp is closed, then remains locked until manually disengaged by pressing the lever before opening. This prevents the latch clamp from being accidentally opened by bumping the handle. Rugged alloy steel base and latch plate (order latch plate separately). Threaded U bolt allows a 1-1/8-inch adjustment range. 1-3/8" drawing movement. Shipping weight 3.3 lbs.

Holding capacity: 7500 lbs

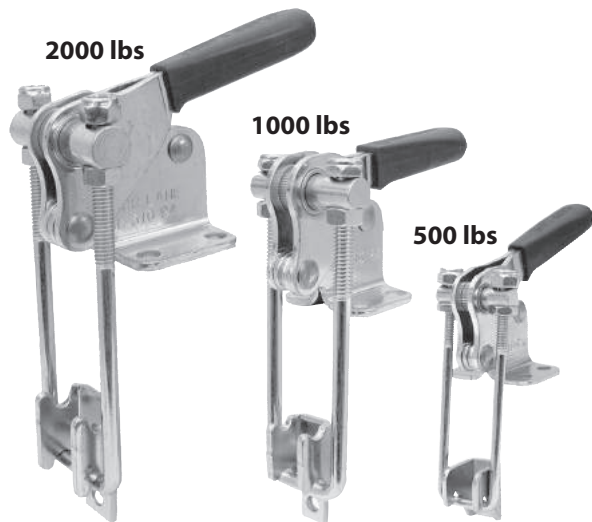


Also available in stainless steel...



LATCH-ACTION TOGGLE CLAMPS

INFO+: SEE PAGE 452 FOR MATERIAL SPECIFICATIONS



INFO+: Similar to the adjustable-U-bolt latch clamps on page 504, except with their pulling direction perpendicular to the base. Supplied with matching latch plate. Available in three sizes.

CL-110-PA

Miniature latch clamp with high holding capacity. 1-1/2-inch drawing movement. Threaded U bolt allows a 7/16-inch adjustment range. Shipping weight 0.3 lbs.

Holding capacity: 500 lbs

CL-210-PA

Medium-size latch clamp with 2-1/16-inch drawing movement. Threaded U bolt allows an 11/16-inch adjustment range. Shipping weight 0.6 lbs.

Holding capacity: 1000 lbs

CL-310-PA

Heavy-duty latch clamp. Well-suited for applications such as plastic molding. 2-1/2-inch drawing movement. Threaded U bolt allows an 1-1/8-inch adjustment range. Shipping weight 1.4 lbs.

Holding capacity: 2000 lbs

Also available in stainless steel...



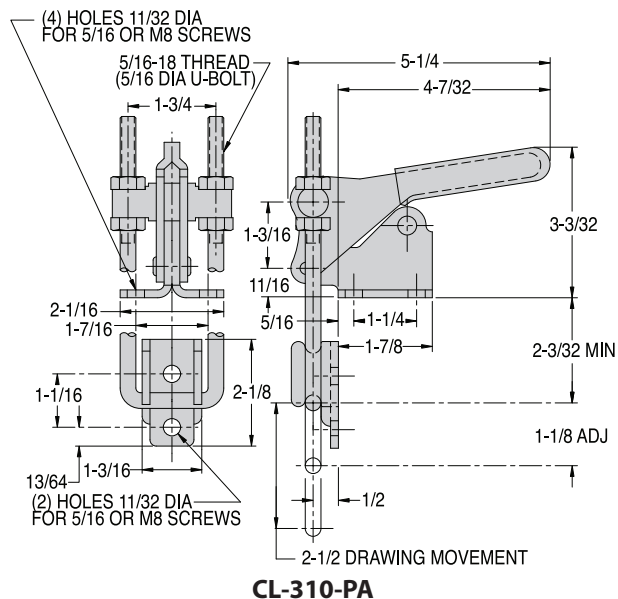
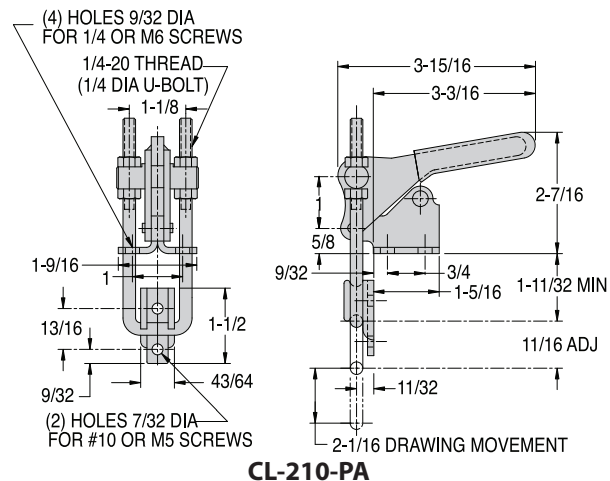
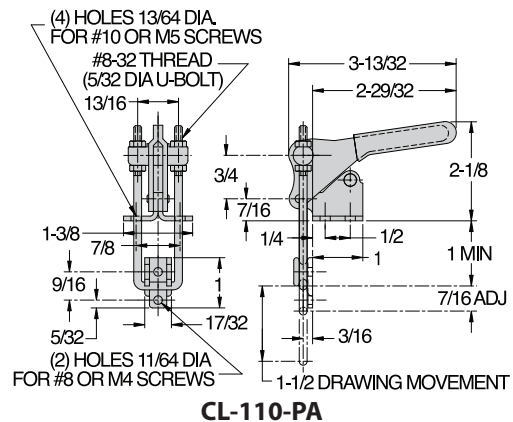
CL-110-PA-S
500 lbs



CL-210-PA-S
1000 lbs

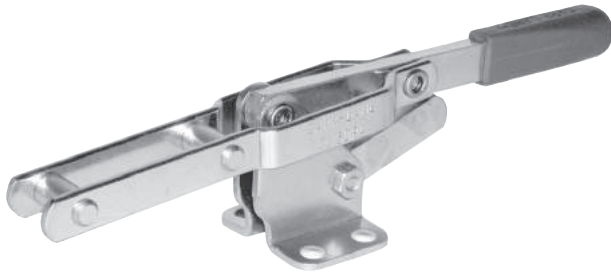


CL-310-PA-S
2000 lbs

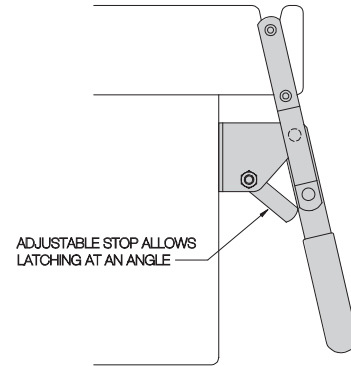


LATCH-ACTION TOGGLE CLAMPS

INFO+: SEE PAGE 452 FOR MATERIAL SPECIFICATIONS



375 lbs



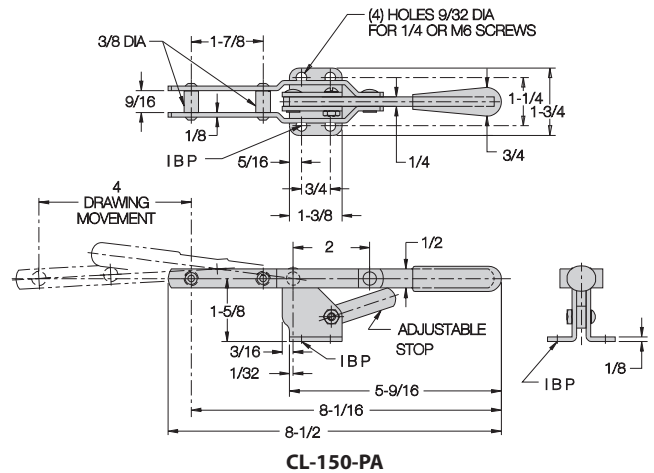
Latch clamp with fixed reach for installation where no length adjustment is required. An adjustable stop allows latching at different angles.

CL-150-PA

Medium-size clamp with 4-inch drawing movement. Shipping weight 0.8 lbs.

Holding capacity:

375 lbs

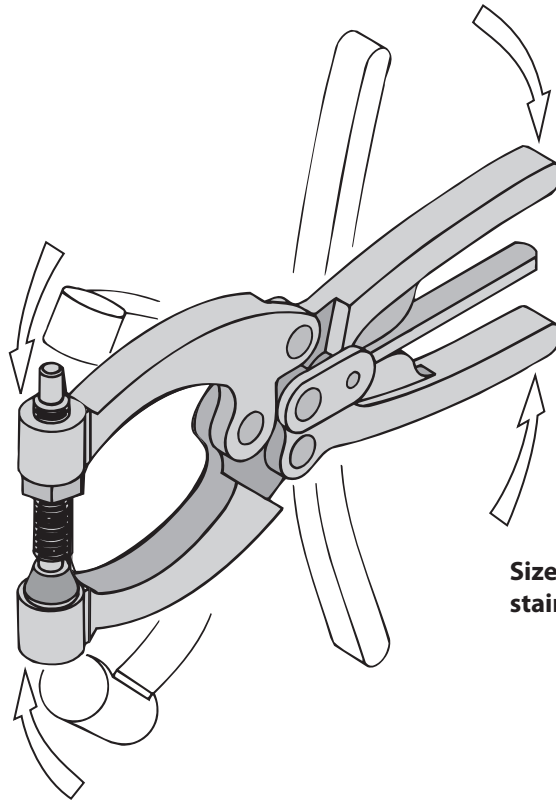


Also available in stainless steel...



CL-150-PA-S

TOGGLE PLIERS



Sizes marked * are also available in stainless steel

All Carr Lane Manufacturing toggle clamps are DFARS and RoHS compliant.



200 lbs

350 lbs

700 lbs

700 lbs

700 lbs

Forged Toggle Pliers pp. 511-513

Powerful forged steel toggle pliers. Available in five sizes. Larger sizes feature a quick-release lever for easy opening.

11



800 lbs*

Permanently Attached p. 514

Handy weld-on/bolt-on clamp for holding down lids, covers etc. Clamping jaw opens a full 90° for extra clearance.

TOGGLE PLIERS

INFO+: SEE PAGE 452 FOR MATERIAL SPECIFICATIONS

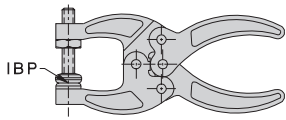
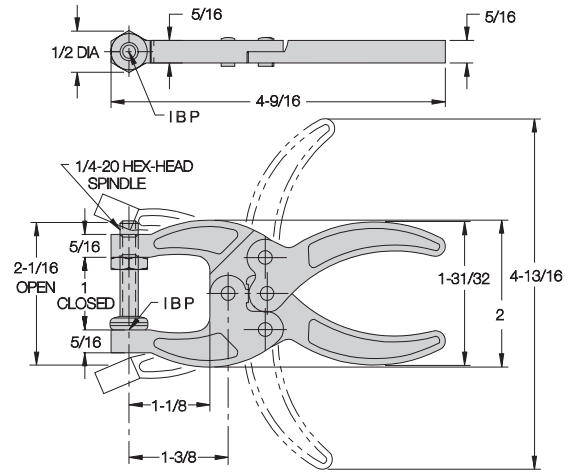


200 lbs

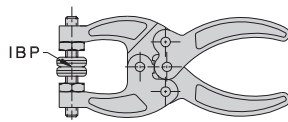
CL-50-PL

Tiny-yet-powerful toggle pliers made of forged steel. 1-inch jaw width. Supplied with 1/4-20 vinyl-coated hex-head spindle CL-14208-SA. Optionally available as CL-50-PL-2 with a bottom-jaw cushion, or as CL-50-PL-3 with (2) vinyl-coated hex-head spindles, CL-14100-SA. Shipping weight 0.4 lbs.

Holding capacity: 200 lbs



CL-50-PL-2
Hex-Head Spindle
and Bottom Cushion



CL-50-PL-3
Dual Hex-Head Spindle

TOGGLE PLIERS

INFO+: SEE PAGE 452 FOR MATERIAL SPECIFICATIONS

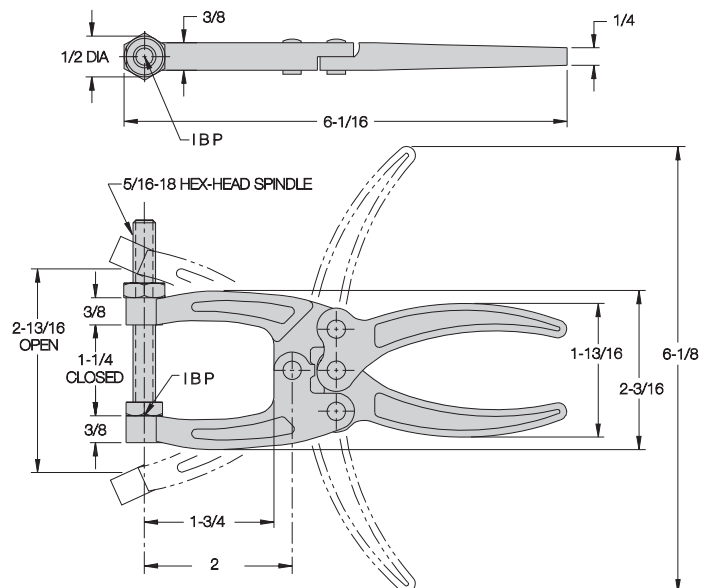


350 lbs

CL-150-PL

Medium-size toggle pliers made of forged steel. 1-1/4-inch jaw width. Supplied with 5/16-18 hex-head spindle CL-516212-SA. Shipping weight 0.5 lbs.

Holding capacity: 350 lbs



TOGGLE PLIERS

INFO+: SEE PAGE 452 FOR MATERIAL SPECIFICATIONS



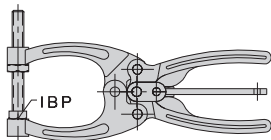
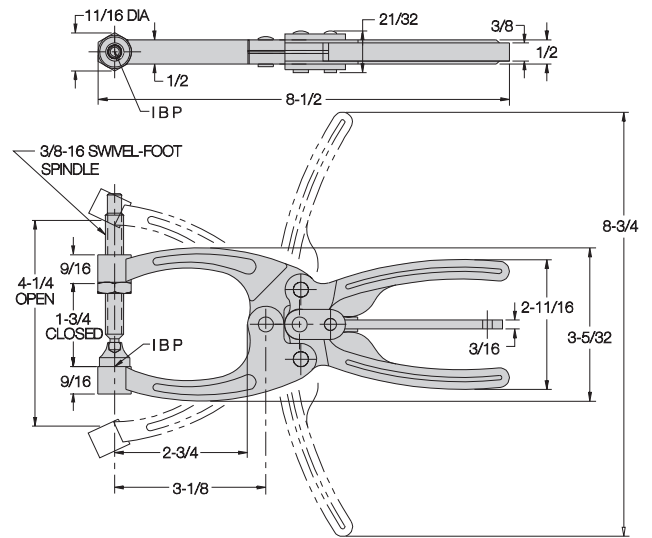
700 lbs

CL-254-PL

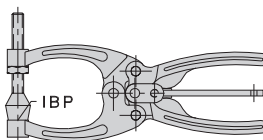
Heavy-duty toggle pliers made of forged steel. 1-3/4 inch jaw width. Two-way quick-release lever for easy opening. Supplied with 3/8-16 swivel-foot spindle CL-38314-SF. Optionally available as CL-250-PL with hex-head spindle CL-38314-SA, as CL-254-PL-2 with (2) hex-head spindles CL-38314-SA, or as CL-252-PL with flat-cushion spindle CL-38314-FC. Shipping weight 1.3 lbs.

Holding capacity:

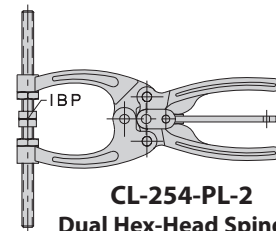
700 Lbs



CL-250-PL
Hex-Head Spindle



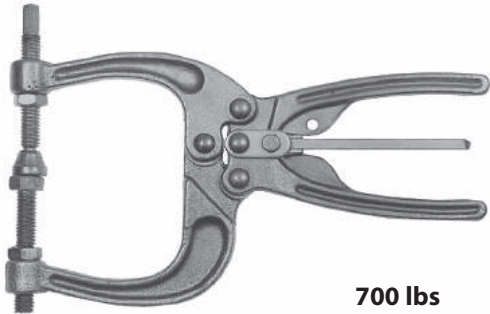
CL-252-PL
Flat Cushion Spindle



CL-254-PL-2
Dual Hex-Head Spindle

TOGGLE PLIERS

INFO+: SEE PAGE 452 FOR MATERIAL SPECIFICATIONS

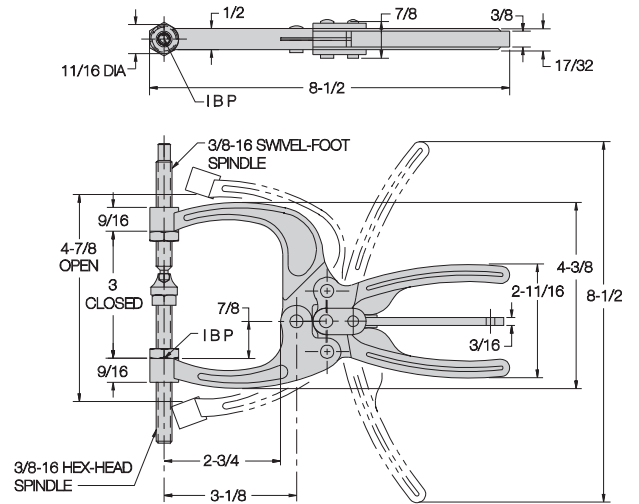


700 lbs

CL-454-PL

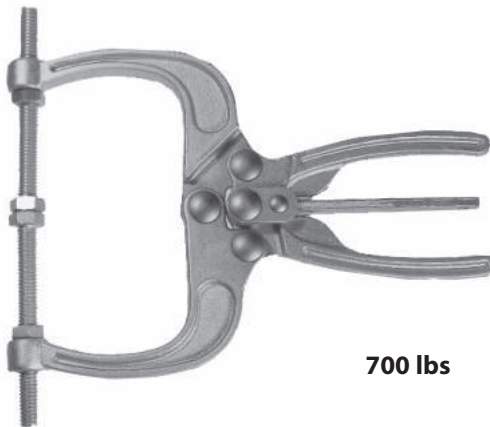
Wide-jaw heavy-duty toggle pliers made of forged steel. 3-inch jaw width. Two-way quick-release lever for easy opening. Supplied with 3/8-16 swivel-foot spindle CL-38314-SF and hex-head spindle CL-38314-SA. Shipping weight 1.4 lbs.

Holding capacity: 700 lbs



TOGGLE PLIERS

INFO+: SEE PAGE 452 FOR MATERIAL SPECIFICATIONS

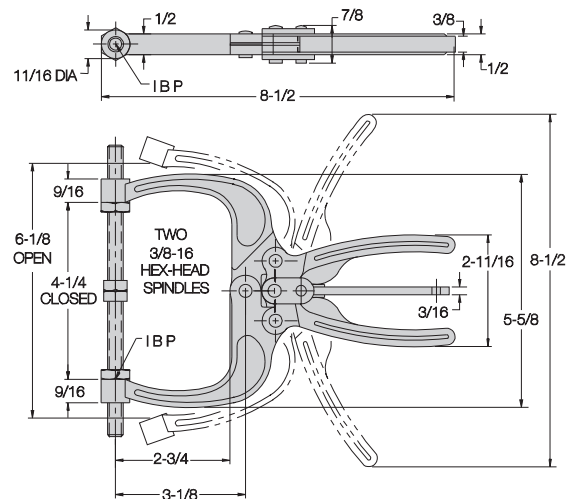


700 lbs

CL-550-PL

Extra-wide-jaw heavy-duty toggle pliers made of forged steel. 4-1/4-inch jaw width. Two-way quick-release lever for easy opening. Supplied with (2) 3/8-16 hex-head spindles CL-38314-SA. Shipping weight 1.6 lbs.

Holding capacity: 700 lbs



11

TOGGLE PLIERS

INFO+: SEE PAGE 452 FOR MATERIAL SPECIFICATIONS



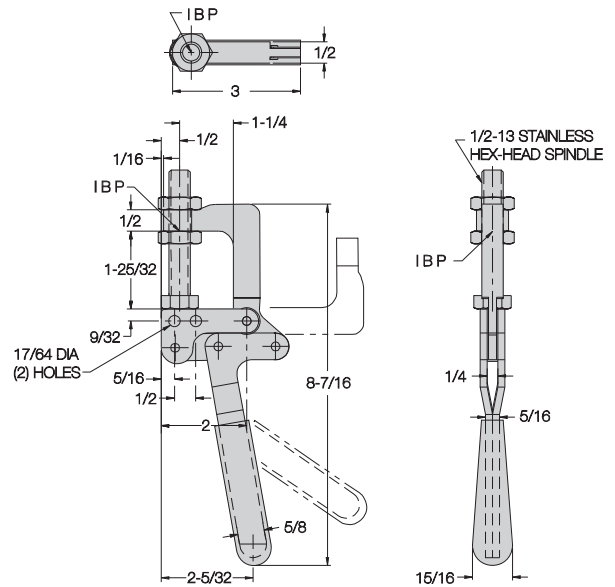
800 lbs
Stainless

CL-325-PL-S

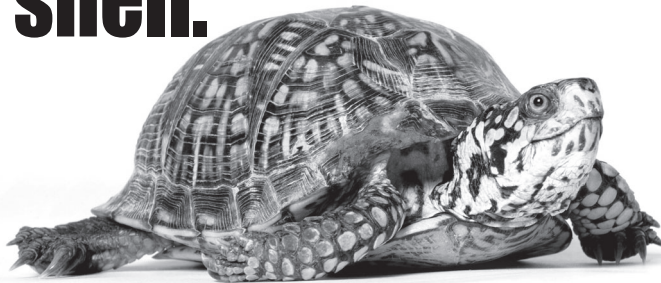
Handy weld-on/bolt-on stainless steel clamp for holding down lids, covers, etc. Clamping jaw opens a full 90° for extra clearance, while handle moves 50°. Supplied with 1/2" stainless hex-head spindle CL-12234-SA-S. Shipping weight 1.0 lbs.

Holding capacity:

800 lbs



Nice shell.



Round & Diamond Locating Pins Now Available With LIFE-EX® Coating

Made from a proprietary PVD coating, **LIFE-EX® Locating Pins are very hard, abrasion resistant, and slippery.**

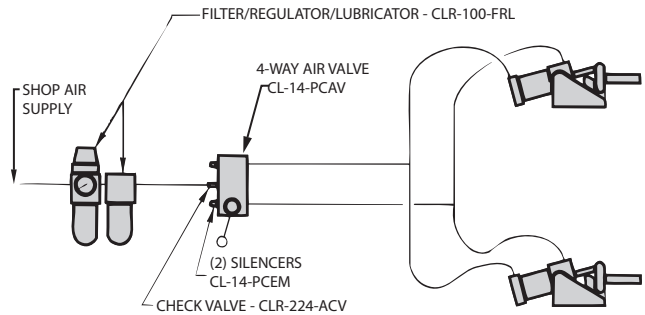
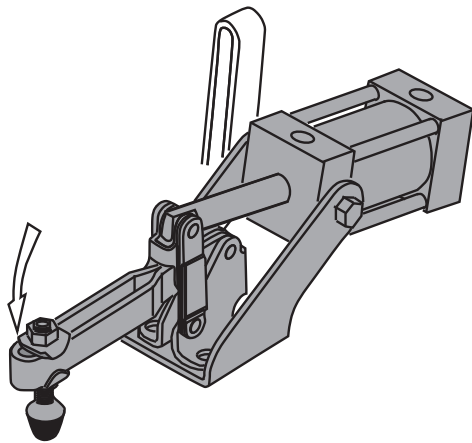
The result is a component that has a longer lifecycle for high-production applications.

LIFE-EX® coating from Carr Lane Manufacturing extends the lifecycle of your locating pins, allowing them to remain in production longer with less need for replacement than standard uncoated items.

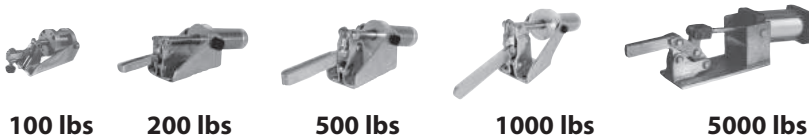
LIFE-EX® Locating Pins from Carr Lane will have you saying, "That's one shell of a coating!"

See Pages 238-239

AIR-POWERED CLAMPS



All Carr Lane Manufacturing toggle clamps are DFARS and RoHS compliant.



100 lbs

200 lbs

500 lbs

1000 lbs

5000 lbs

Toggle Hold-Down Clamps pp. 516-520

Similar to a vertical-handle hold-down clamp, except linkage is operated by a double-acting air cylinder instead of by hand. Toggle linkage provides high holding capacity and insures positive mechanical locking even if air pressure fails.



14 lbs

25 lbs

66 lbs

100 lbs

165 lbs

277 lbs

Swing Clamps pp. 628-629

Hold-down clamp with a clamping arm that rotates 90° for clear loading. Sturdy helical-cam mechanism first rotates arm, then clamps down. Double acting.



Clamping Valves



Check Valves



Exhaust Mufflers



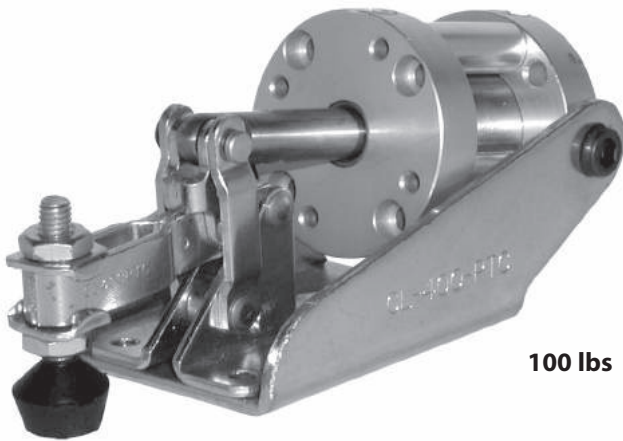
Air Fittings

Air Accessories p. 521

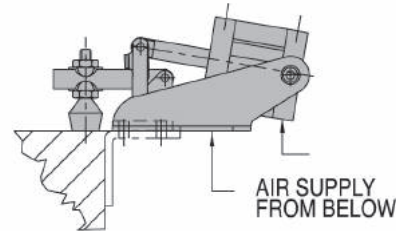
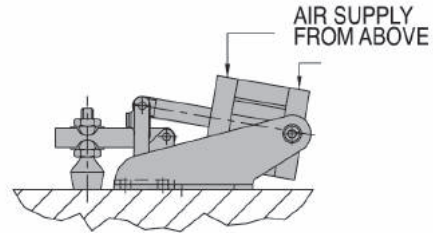
Complete selection of accessories including clamping valves, check valves, exhaust mufflers, and air fittings.

AIR-POWERED TOGGLE CLAMPS

INFO+: SEE PAGE 452 FOR MATERIAL SPECIFICATIONS



100 lbs

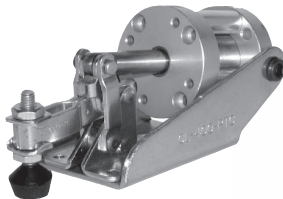


CL-400-PTC

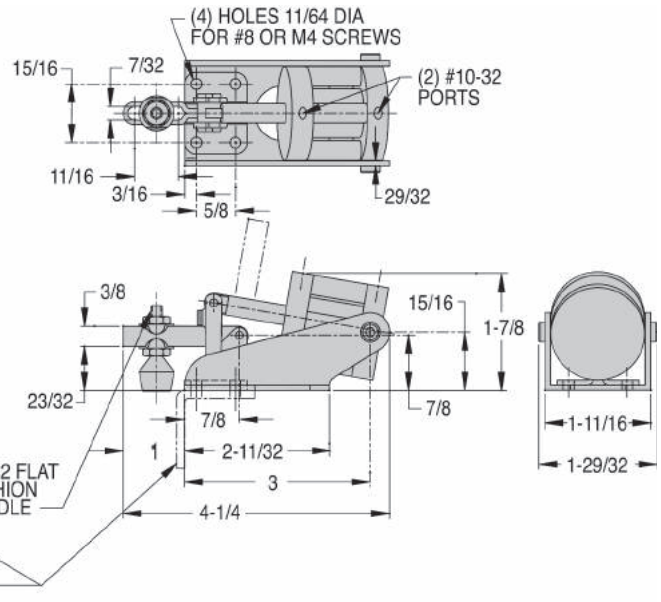
Super-compact hold-down clamp for applications where space is at a premium. Open arm allows spindle adjustment. Toggle linkage provides high holding capacity and insures positive mechanical locking even if air pressure fails. Arm opens 100°. 3/4"-bore double-acting air cylinder with #10-32 ports (INFO+: see page 521 to order fittings). Supplied with #10-32 flat-cushion spindle CL-316112-FC and (2) CL-3166-TW flanged washers. 100-psi maximum input air pressure. Shipping weight 0.8 lbs. An optional bracket for side mounting is also available (CL-400-PCBR).

Holding capacity: 100 lbs
Clamping force at 100 psi, at center of arm: 100 lbs

Also available with position sensing...

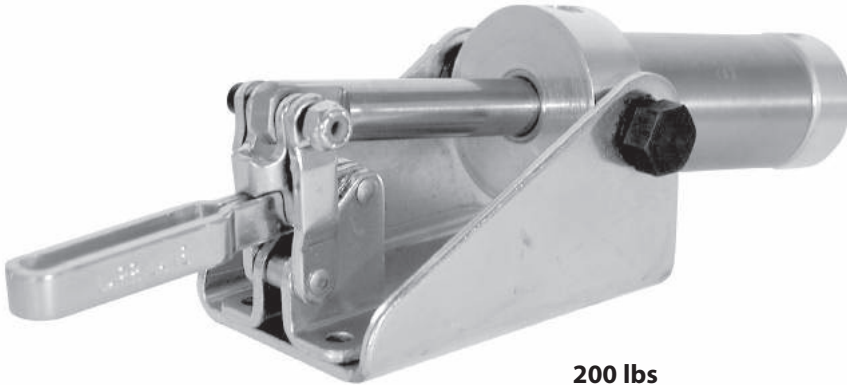


Please see our web catalog for more information.



AIR-POWERED TOGGLE CLAMPS

INFO+: SEE PAGE 452 FOR MATERIAL SPECIFICATIONS



200 lbs

CL-500-PTC

Small-yet-powerful hold-down clamp with a long open arm. Toggle linkage provides high holding capacity and insures positive mechanical locking even if air pressure fails. Arm opens 100°. 1-1/4" bore double-acting air cylinder with 1/8"-NPT ports. Accepts any 1/4"-20 short spindle and (2) CL-148-TW flanged washers. **INFO+**: See pages 522-526 to order. 100-psi maximum input air pressure. Shipping weight 2.5 lbs.

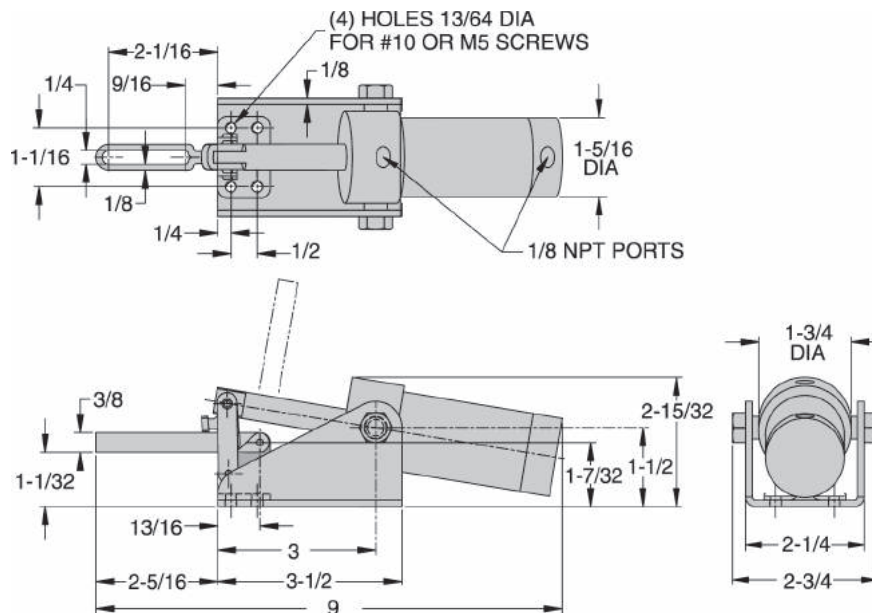
Holding capacity: 200 lbs

Clamping force at 100 psi, at center of arm: 200 lbs

Also available with position sensing:



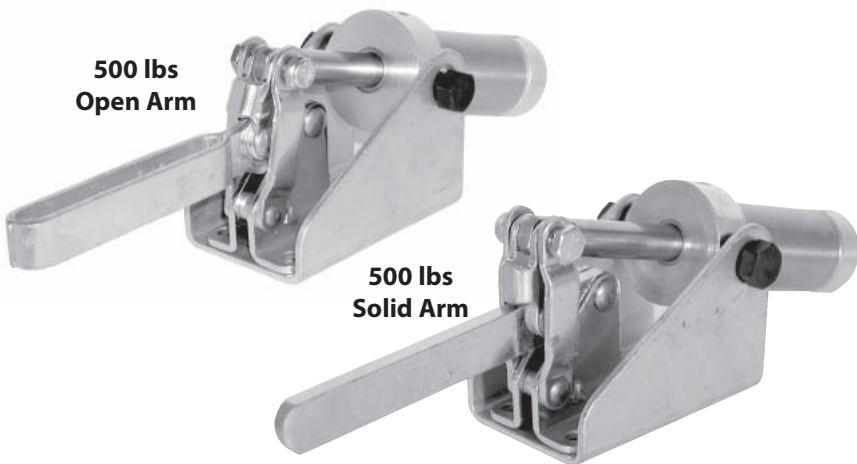
Please see our web catalog for more information.



11

AIR-POWERED TOGGLE CLAMPS

INFO+: SEE PAGE 452 FOR MATERIAL SPECIFICATIONS



CL-1000-PTC CL-1001-PTC

Popular medium-size hold-down clamp available with a solid arm, or an open arm for spindle adjustment. Toggle linkage provides high holding capacity and insures positive mechanical locking even if air pressure fails. Arm opens 92°. 1-1/4"-bore double-acting air cylinder with 1/8"-NPT ports. Accepts any 5/16-18 short spindle and (2) CL-51610-TW flanged washers. **INFO+**: See pages 522-526 to order. Solid-arm version accepts a CL-518000-BR bolt retainer. 100-psi maximum input air pressure. Shipping weight 3.0 lbs.

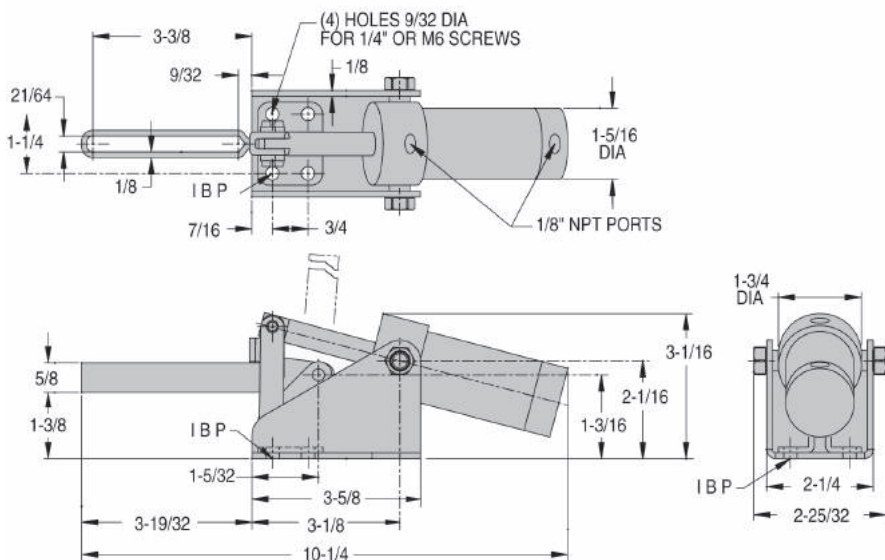
Holding capacity: 500 lbs
Clamping force at 100 psi, at center of arm: 390 lbs

Also available with position sensing:



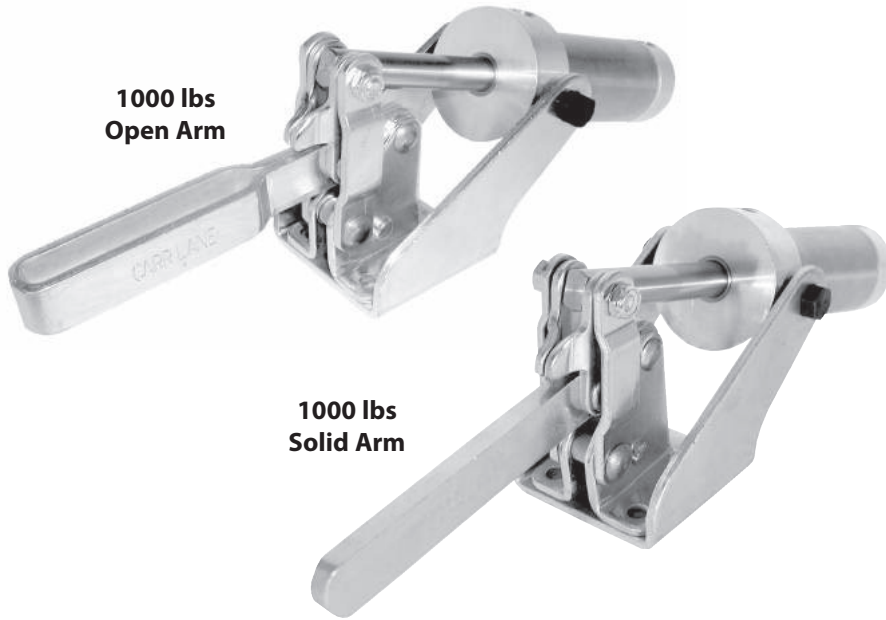
Please see our web catalog for more information.

11



AIR-POWERED TOGGLE CLAMPS

INFO+: SEE PAGE 452 FOR MATERIAL SPECIFICATIONS



CL-2000-PTC CL-2001-PTC

Open Arm

Solid Arm

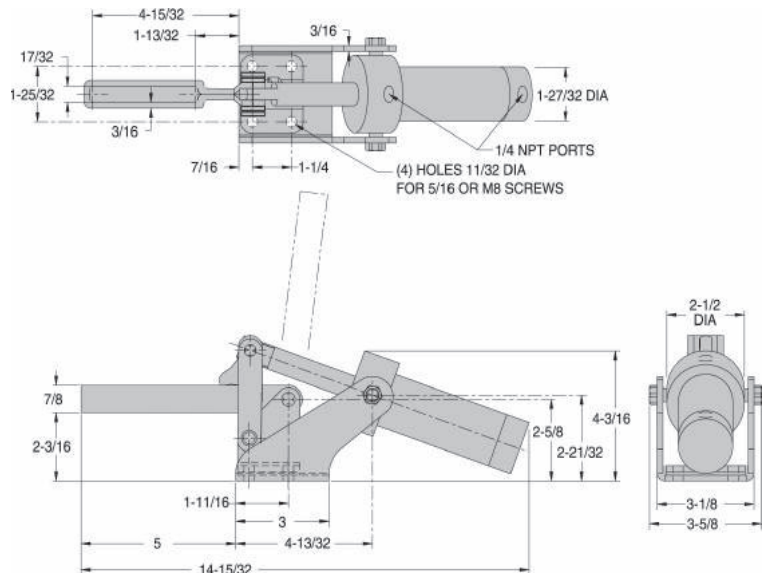
Extra-large hold-down clamp available with a solid arm, or an open arm for spindle adjustment. Toggle linkage provides high holding capacity and insures positive mechanical locking even if air pressure fails. Arm opens 83°. 1-3/4" bore double-acting air cylinder with 1/4-NPT ports. Accepts any 1/2-13 spindle and (2) CL-1213-TW flanged washers. **INFO+**: See pages 522-526 to order. Solid-arm version accepts a CL-113000-BR bolt retainer. 100 psi maximum input air pressure. Shipping weight 6.0 lbs.

Holding capacity: 1000 lbs
Clamping force at 100 psi, at center of arm 680 lbs

Also available with position sensing:

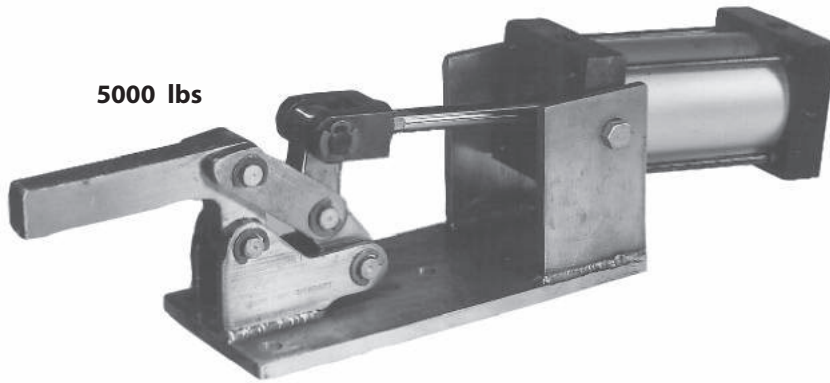


Please see our web catalog for more information.



AIR-POWERED TOGGLE CLAMPS

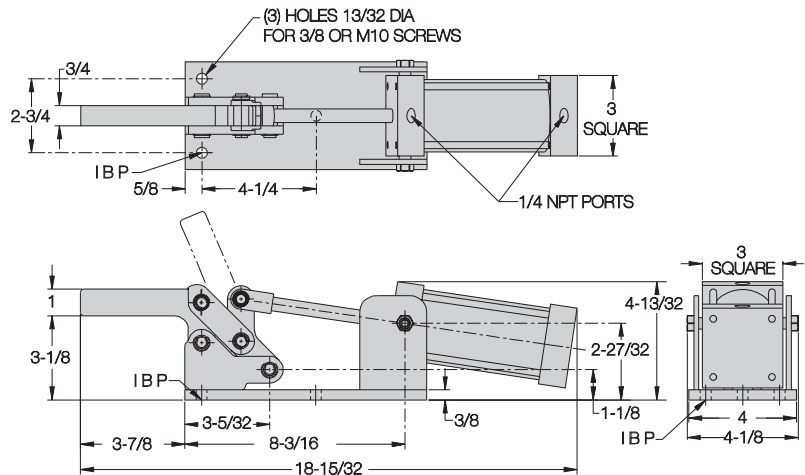
INFO+: SEE PAGE 452 FOR MATERIAL SPECIFICATIONS



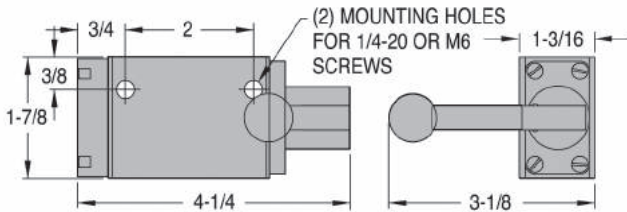
CL-3000-PTC

Heavy-duty hold-down clamp with a solid forged steel clamping arm. Toggle linkage provides high holding capacity and insures positive mechanical locking even if air pressure fails. Arm opens 83°. 2-1/2"-bore double-acting air cylinder with 1/4-NPT ports. 150-psi maximum input air pressure. Shipping weight 15.0 lbs.

Holding capacity: 5000 lbs
Clamping force at 100 psi, at center of arm: 1600 lbs



CLAMPING VALVES*



CL-14-PCAV

Versatile two-position, four-way valve for simple and convenient clamp control. Five 1/4-NPT ports. 150 psi maximum pressure.

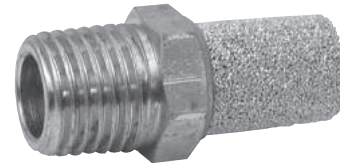
CHECK VALVES*



CLR-224-ACV

Allows air to flow in one direction only. 1/4-NPT male x 2.

EXHAUST MUFFLERS*

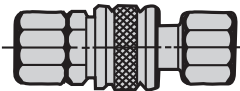


CL-14-PECM

Durable, compact, sintered-bronze exhaust muffler. 1/4-NPT male.

AIR FITTINGS*

Quick-Disconnect Coupler



CL-14-PCQD

Both halves, 1/4-NPT female

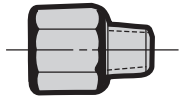
CL-14-PCQDS

Female socket, 1/4-NPT female

CL-14-PCQDP

Male plug, 1/4-NPT female
(Industrial Interchange)

Adapter



CL-1014-PCA

#10-32 female x 1/4-NPT male

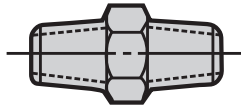
CL-1418-PCA

1/4-NPT female x 1/8-NPT male

CL-3814-PCA

3/8-NPT female x 1/4-NPT male

Hex Nipple



CL-10-PCHN

#10-32 male x 2

CL-14-PCHN

1/4-NPT male x 2

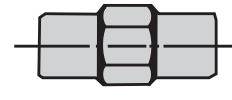
CL-38-PCHN

3/8-NPT male x 2

CL-3814-PCHN

3/8-NPT male x 1/4-NPT male

Coupling



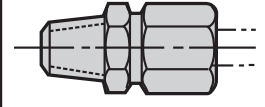
CL-10-PCCP

#10-32 female x 2

CL-14-PCCP

1/4-NPT female x 2

Tubing Connector



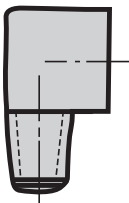
CL-1810-PCTC

1/8-OD tube x #10-32 male

CL-14-PCTC

1/4-OD tube x 1/4-NPT male
(Includes compression sleeve and nut)

Street Elbow

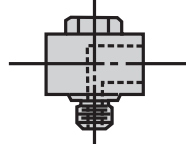


CL-14-PCSE

1/4-NPT

Female x 1/4-NPT male

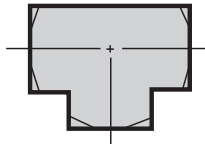
Banjo Elbow



CL-10-PCBE

#10-32 female x #10-32 male

Tee



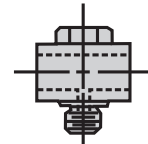
CL-10-PCTE

#10-32 female x 3

CL-14-PCTE

1/4-NPT female x 3

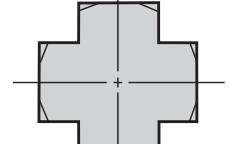
Branch Tee



CL-10-PCBT

#10-32 female x 2,
#10-32 male

Cross



CL-14-PCCR

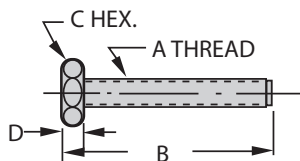
1/4-NPT female x 4

* Do not use in high-pressure hydraulic lines.

HEX-HEAD SPINDLES



Simple spindle design provides maximum clamping force. Fully threaded for maximum adjustment range. Assembly includes two jam nuts. Available in thread sizes from #8-32 to 5/8-11 (M4 to M16 in metric).



STEEL (INCH)

PART NO.	A	B	C	D
CL-316112-SA	#10-32	1-3/8	5/16	1/8
CL-14112-SA	1/4-20	1-11/16	7/16	3/16
CL-14200-SA		2-3/16		
CL-516212-SA	5/16-18	2-11/16	1/2	3/16
CL-38314-SA	3/8-16	3-1/4	9/16	1/4
CL-12314-SA	1/2-13	3-5/16	3/4	5/16
CL-58438-SA	5/8-11	4-3/8	15/16	3/8

VINYL-DIPPED STEEL (INCH)

CL-832208-FC	#8-32	1-3/16	1/4	1/8
CL-14100-SA	1/4-20	1	7/16	3/16
CL-14208-SA		1-1/2		

STAINLESS STEEL (INCH)

CL-83234-SA-S	#8-32	7/8	1/4	1/8
CL-832203-SA-S		1-1/8		
CL-316100-SA-S	#10-32	1-1/8	5/16	1/8
CL-14112-SA-S	1/4-20	1-11/16	7/16	3/16
CL-516200-SA-S	5/16-18	1-15/16	1/2	3/16
CL-516212-SA-S		2-11/16		
CL-38212-SA-S	3/8-16	2-1/2	9/16	1/4
CL-38314-SA-S		3-1/4		
CL-12234-SA-S	1/2-13	2-13/16	3/4	5/16

NYLON (INCH)

CL-832203-SA	#8-32	7/8	1/4	1/8
--------------	-------	-----	-----	-----

STEEL (METRIC)

PART NO.	A	B	C	D
CLM-530-SA	M5	1.32	8mm	.14
CLM-640-SA	M6	1.75	10mm	.18
CLM-650-SA		2.15		
CLM-850-SA	M8	2.19	13mm	.22
CLM-865-SA		2.78		
CLM-1070-SA	M10	3.03	17mm	.28
CLM-1275-SA	M12	3.27	19mm	.31
CLM-16100-SA	M16	4.33	24mm	.39

STAINLESS STEEL (METRIC)

CLM-416-SA-S	M4	.75	7mm	.12
CLM-425-SA-S		1.10		
CLM-530-SA-S	M5	1.32	8mm	.14
CLM-640-SA-S	M6	1.75	10mm	.18
CLM-650-SA-S		2.15		
CLM-850-SA-S	M8	2.19	13mm	.22
CLM-865-SA-S		2.78		
CLM-1070-SA-S	M10	3.03	17mm	.28

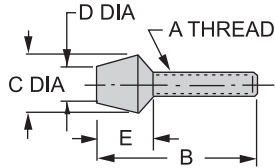
NYLON (METRIC)

CLM-416-SA	M4	.75	7mm	.12
------------	----	-----	-----	-----

FLAT-CUSHION SPINDLES



This is the standard spindle supplied with most clamps. Molded neoprene tip provides medium clamping force with some compensation for part-size variation. Also provides scratchfree clamping. Neoprene cushion has a durometer hardness of 70 shore A, and an operating temperature range of -40°F to 220°F. Spindle is fully threaded for maximum adjustment range. Assembly includes two jam nuts.



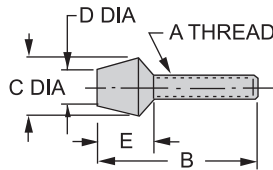
STEEL (INCH)

PART NO.	A	B	C DIA	D	E
CL-316112-FC	#10-32	1-3/8	9/16	7/16	7/16
CL-14112-FC	1/4-20	1-5/8	5/8	13/32	5/8
CL-14200-FC		2-1/8			
CL-518208-FC	5/16-18	2-1/4	3/4	1/2	3/4
CL-516212-FC		3			
CL-38212-FC	3/8-16	2-1/2	13/16	5/8	7/8
CL-38314-FC		3-1/2			

FLAT-CUSHION SPINDLES, QUICK ADJUSTING



Same as the Flat-Cushion Spindles above, except with two knurled nuts, instead of hex jam nuts, for convenient hand tightening. Use for quick spindle adjustment in applications where high-torque tightening with a wrench is not required.



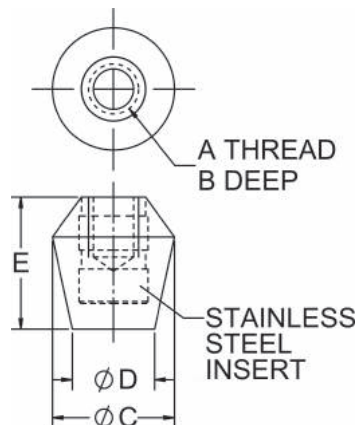
STEEL (INCH)

PART NO.	A	B	C DIA	D	E
CL-316112-FCQA	#10-32	1-3/8	9/16	7/16	7/16
CL-14112-FCQA	1/4-20	1-5/8	5/8	13/32	5/8
CL-14200-FCQA		2-1/8			
CL-518208-FCQA	5/16-18	2-1/4	3/4	1/2	3/4
CL-516212-FCQA		3			
CL-38212-FCQA	3/8-16	2-1/2	13/16	5/8	7/8
CL-38314-FCQA		3-1/2			

POLYURETHANE FLAT CUSHIONS



Polyurethane cushions are tougher and slightly harder than standard neoprene cushions. Ideal when greater clamping force is required while still providing scratchfree clamping and some compensation for part-size variation. Molded-in stainless steel insert provides superior thread strength. Ideal for making custom-length Flat Cushion Spindles by inserting a threaded stud. Polyurethane cushion has a hardness 85 Shore A, operating temperature range -90°F to 200°F.



STAINLESS (INCH)

PART NO.	A	B	C DIA	D DIA	E
CL-1032-FCP	#10-32	.19	.56	.44	.53
CL-1420-FCP	1/4-20	.30	.63	.47	.63
CL-51618-FCP	5/16-18	.33	.75	.50	.75
CL-3816-FCP	3/8-16	.38	.81	.63	.88

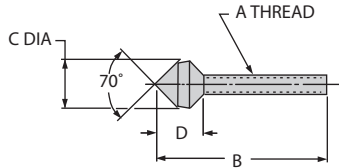
STAINLESS (METRIC)

PART NO.	A	B	C DIA	D DIA	E
CLM-5-FCP	M5	.19	.56	.44	.53
CLM-6-FCP	M6	.24	.63	.47	.63
CLM-8-FCP	M8	.30	.75	.50	.75
CLM-10-FCP	M10	.35	.81	.63	.88

CONE-CUSHION SPINDLES



Excellent for clamping into drilled holes, slots, or corners. Molded neoprene tip provides medium clamping force with some compensation for part-size variation. Also provides scratchfree clamping. Neoprene cushion has a durometer hardness of 70 shore A, and an operating temperature range of -40°F to 220°F. Spindle is fully threaded for maximum adjustment range. Assembly includes two jam nuts.



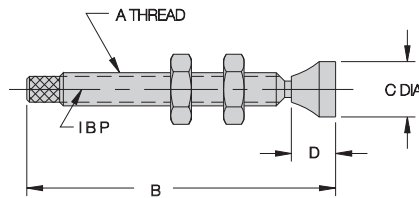
STEEL (INCH)

PART NO.	A	B	C DIA	D
CL-316112-CC	#10-32	1-3/8	9/16	7/16
CL-14112-CC	1/4-20	1-5/8	5/8	5/8
CL-14200-CC		2-1/8		5/8
CL-516212-CC	5/16-18	3	3/4	3/4
CL-38314-CC	3/8-16	3-1/2	13/16	7/8

SWIVEL-FOOT SPINDLES



Swivel foot provides full contact on uneven or sloped surfaces. Assembly includes two jam nuts.



STEEL (INCH)

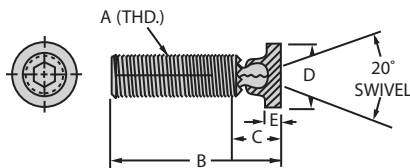
PART NO.	A	B	C DIA	D
CL-14112-SF	1/4-20	1-3/4	1/2	3/8
CL-14200-SF		2-1/4		
CL-516212-SF	5/16-18	2-3/4	9/16	7/16
CL-38314-SF	3/8-16	3-1/2	5/8	1/2

SWIVEL SCREW CLAMPS

11



Screw clamp with patented removable, interchangeable swivel foot, available in many sizes and varieties. Add "N" to part no. for Delrin® foot, e.g. CL-23-SSCN. **INFO+**: See pages 118-119 for additional lengths and foot options. Order two jam nuts separately.



STEEL (INCH)

PART NO.	JAM NUT PART NO. (2 REQD)	A	B	C	D DIA	E
CL-23-SSC	CL-4-JN	1/4-20	1-19/32	23/64	3/8	1/8
CL-27-SSC	CL-5-JN	5/16-18	2-3/32	27/64	1/2	5/32
CL-43-SSC	CL-6-JN	3/8-16	3-1/8	1/2	9/16	3/16
CL-44-SSC	CL-8-JN	1/2-13	4-1/16	17/32	3/4	3/16
CL-46-SSC	CL-10-JN	5/8-11	5-3/64	21/32	15/16	7/32

STEEL (METRIC)

CLM-23-SSC	CLM-6-JN	M6	1.67	.36	3/8	1/8
CLM-27-SSC	CLM-8-JN	M8	2.06	.42	1/2	5/32
CLM-32-SSC	CLM-10-JN	M10	3.08	.62	9/16	3/16
CLM-36-SSC	CLM-12-JN	M12	4.00	.53	3/4	3/16
CLM-40-SSC	CLM-16-JN	M16	4.97	.66	15/16	7/32

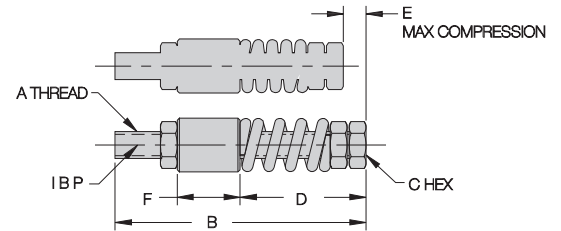
STAINLESS STEEL (INCH)

CL-23-SSC-S	CL-4-JN-S	1/4-20	1-19/32	23/64	3/8	1/8
CL-27-SSC-S	CL-5-JN-S	5/16-18	2-3/32	27/64	1/2	5/32
CL-43-SSC-S	CL-6-JN-S	3/8-16	3-1/8	1/2	9/16	3/16

SPRING-LOADED SPINDLES



Clamps with strong spring force to compensate for varying part thicknesses. Excellent for clamping castings that vary slightly in size. To install, weld bolt retainer to clamping arm. Assembly includes two jam nuts, a die spring, and a bolt retainer.



STEEL (INCH)

PART NO.	A	B	C	D		E	FORCE AT "E" (lbs)	F
				MIN	MAX			
CL-14200-SL	1/4-20	2-1/4	7/16	1-9/32	1-3/8	1/4	50	5/8
CL-516212-SL	5/16-18	2-3/4	1/2	1-11/16	1-7/8	1/4	100	5/8
CL-38314-SL	3/8-16	3-1/2	9/16	1-3/4	2-9/32	5/16	200	7/8

Air Gap Sensors Giving You Trouble?



Here's Your Solution: Air Rest Buttons

carrlane.com/arb

Take the guesswork out of loading your parts. Whether you run your operations with robot or human guidance, Carr Lane Manufacturing's Air Rest Buttons deliver feedback with every load.

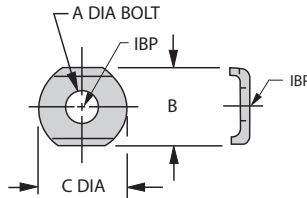
See Pages 222-223

FLANGED WASHERS



Two flanged washers required per clamp

For open-arm clamps. Use two flanged washers to mount spindle, one above the arm and one below.



STEEL

PART NO.	A	B	C DIA
CL-832-TW	#8-32 or M4	7/16	15/32
CL-3166-TW	#10-32 or M5	1/2	9/16
CL-147-TW	1/4-20 or M6	9/16	5/8
CL-148-TW		19/32	11/16
CL-51610-TW	5/16-18 or M8	3/4	7/8
CL-3811-TW	3/8-16 or M10	15/16	1
CL-1213-TW	1/2-13 or M12	1-5/32	1-1/4
CL-5811-TW	5/8-11 or M16	1-3/8	1-15/32

STAINLESS STEEL

PART NO.	A	B	C DIA
CL-832-TW-S	#8-32 or M4	7/16	15/32
CL-3166-TW-S	#10-32 or M5	1/2	9/16
CL-147-TW-S	1/4-20 or M6	9/16	5/8
CL-148-TW-S		19/32	11/16
CL-51610-TW-S	5/16-18 or M8	3/4	7/8
CL-3811-TW-S	3/8-16 or M10	15/16	1

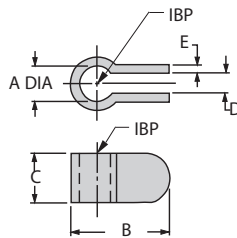
BOLT RETAINERS



BR
For VTC clamps



S
For TC clamps



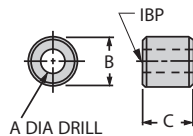
BR (FOR HTC & VTC CLAMPS)

PART NO.	SPINDLE SIZE	A DIA	B	C	D	E
CL-142000-BR	1/4-20 or M6	9/32	1-1/4	1/2	3/16	3/32
CL-518000-BR	5/16-18 or M8	21/64	1-1/4	5/8	1/4	3/32
CL-316000-BR	3/8-16 or M10	17/32	1-1/2	3/4	5/16	1/8
CL-113000-BR	1/2-13 or M12	9/16	1-5/8	7/8	3/8	1/8
CL-511000-BR	5/8-11 or M16	11/16	1-7/8	1-1/4	3/8	1/8

S (FOR TC CLAMPS)

PART NO.	SPINDLE SIZE	A DIA	B DIA	C
CL-1458-S	1/4-20 or M6	.257	5/8	5/8
CL-51658-S	5/16-18 or M8	.316	5/8	5/8
CL-3878-S	3/8-16 or M10	.397	3/4	7/8

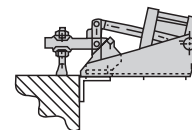
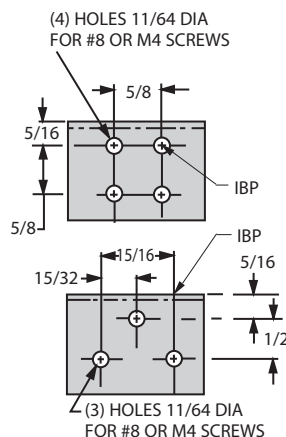
For solid-arm clamps. Weld on bolt retainer at desired arm length and spindle angle.



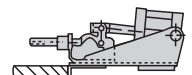
MOUNTING BRACKETS



Handy bracket for side-mounting small clamps. One reversible bracket fits several clamps.



Downholding



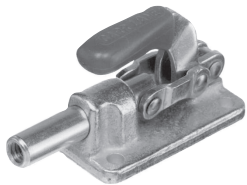
Push/Pull

PART NO.	FITS DOWNHOLDING CLAMPS	FITS PUSH CLAMPS
CL-400-PCBR	CL-150-VTC	CL-50-SPC
	CL-400-PTC	CL-600-PPC



Glow Wagon Brakes

Also see:



Push/Pull Toggle Clamps
pp. 490-501



Lifting Pins
pp. 58-59



Ball Lock Pins
pp. 48-57



Hoist Rings
pp. 73-92



Threaded Inserts
pp. 345-351



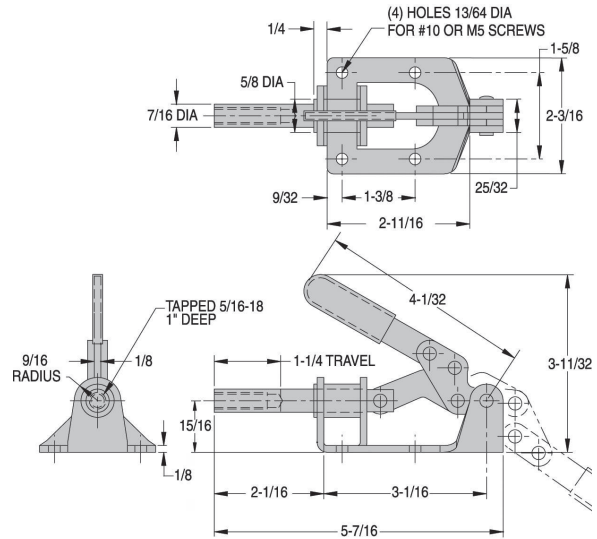
Hi-Viz Hammers
p. 342

GLOW WAGON BRAKES

CLAMP BODY: 12L14, 1008, 1010, AND/OR 1018 STEEL, ZINC PLATED BLACK CHROMATE
 RIVETS: 400-SERIES STAINLESS
 HANDLE: GLOW-IN-THE-DARK VINYL



Medium-sized clamp locks in extended or retracted position.

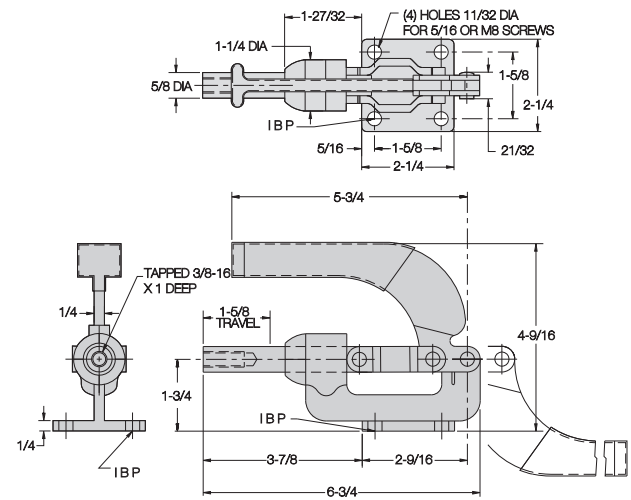


CL-150-SPC-BZ

Wagon Brakes with a black finish and glow-in-the-dark handles are specifically designed for use on stage-set designs, but can be used with other mobile jigs and carts. Wagon Brakes provide secure stabilization of your set designs, the ability to effortlessly re-arrange sets in an instant, and safety for your crew with special handles that glow in the dark for at least 8 hours. Glow-in-the-dark handles reduce the worry of trip hazards for stagehands as they work to set the scene.

Wagon Brakes literally lift your scenery off its movable casters, securing it in place and preventing any movement until you are ready to change the scene. A rugged toggle action provides the mechanical advantage to make lifting easy, and locks "over center" for safety. No drilling is ever required on your stage floor – just lock these Wagon Brakes in place to secure your stage set underneath the actors' feet.

The medium-size plunger clamp shown here (CL-150-SPC-BZ) has a 1-1/4" plunger travel, is tapped to accept any 5/16-18 threaded foot and has a 300 lbs holding capacity. CL-250-SPC-BZ has a 1-5/8" plunger travel, is tapped to accept any 3/8-16 threaded foot and has an 800 pound holding capacity. Both lock in extended and retracted position. Made in USA.



CL-250-SPC-BZ

12

PART NO.	DESCRIPTION	TAPPED HOLE IN PLUNGER	HOLDING CAPACITY	SHIPPING WEIGHT
CL-150-SPC-BZ	Tapped Plunger, Flanged Base	5/16-18	300 lbs.	.7 lbs.
CL-250-SPC-BZ	Tapped Plunger, Flanged Base	3/8-16	800 lbs.	1.9 lbs.

DRILL-JIG BUSHINGS



**Quick-Ship
Drill Bushings**



Press-Fit Bushings



Renewable Bushings



Liner Bushings



Bushing Handles



**Lockscrews &
Clamps**



Castable Bushings



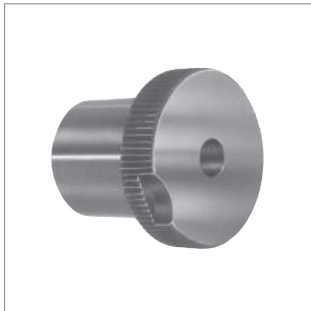
**Chip-Breaker
Bushings**



**Directed-Coolant
Bushings**



Oil-Groove Bushings



Gun-Drill Bushings



Template Bushings



**Threaded-Template
Bushings**



Air-Feed-Drill Bushings

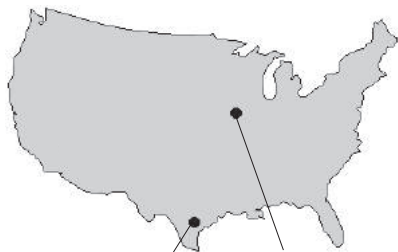
WHAT MAKES A CARR LANE MANUFACTURING DRILL BUSHING BETTER?

1 TOP QUALITY



Carr Lane Manufacturing drill bushings are all precision honed and ground, the finest quality available. They exceed all ANSI drill-bushing standards. Unlike some of our competitors, we manufacture only first-quality drill bushings, never "economy grade."

2 FAST DELIVERY



Drill Bushing Factory
Austin, Texas

**Main Factory
and Warehouse**
St. Louis, Missouri






Our nationwide network of stocking distributors, plus huge inventories at two warehouse locations, guarantees same-day shipment for standard bushings. In addition, our quick-response manufacturing capabilities allow us to ship almost all special and modified bushings in less than 10 days.

3 ECONOMICAL PRICES



As you expect with all Carr Lane Manufacturing products, our drill-bushing prices are the most competitive around. Our production volumes and advanced manufacturing techniques mean excellent value for you.

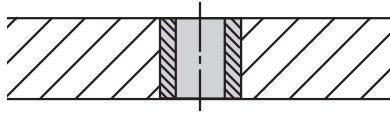
Quick-Ship Drill Bushings pp. 538-539
 Bushing Selection pp. 532-533
 Installation and Technical Data pp. 534-535
 Counterbore Data p. 537

	P Press Fit pp. 540-551		H Head Press Fit pp. 545-549		SP Serrated Press Fit pp. 550-551
	SF Slip/Fixed Renewable pp. 552-556		FM Flat Milled Renewable pp. 557-558		L Liner pp. 559-561
	HL Head Liner pp. 562-563		UL Locking Liner p. 564		Bushing Handles p. 565
	Lockscrews and Clamps pp. 566-567		CH Chip Breaker pp. 568-569		DC Directed Coolant pp. 570-571
	Oil Groove pp. 572-574		DG Diamond Groove pp. 575-576		SG Serrata Groove p. 577
	ULD Diamond Knurl Locking Liner p. 578		EZ EZ Cast p. 579		TB Template pp. 580-583
	GD Gun Drill pp. 584-586		A Air Feed pp. 587-597		Air-Feed Accessories pp. 598-600

BUSHING SELECTION

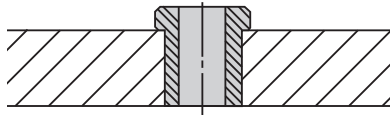
INCH				METRIC			
P	20	8	.1250	PM	8	12	4.50
Type	OD in 64ths of an inch	Length in 16ths of an inch	ID as 4-place decimal inch	Type	OD in mm	Length in mm	ID as 2-place decimal mm

PRESS FIT:



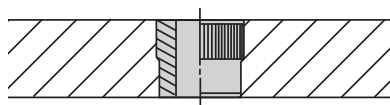
Types **P**, **PC** (carbide), and **PM** (metric). This is the most-popular and least-expensive drill bushing. P bushings are permanently pressed into the jig plate, usually flush with the top surface. They are generally used for single-step drilling or reaming operations when you do not expect to replace bushings during the tooling's lifetime. P bushings can be mounted closer together than headed bushings, but offer less resistance to heavy axial loads.

HEAD PRESS FIT:



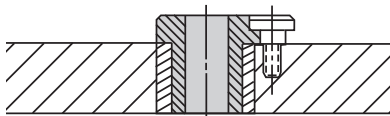
Types **H**, **HC** (carbide), and **HM** (metric). Similar to a P bushing, but with a head to resist heavy axial loads. H bushings are permanently pressed into the jig plate. They are generally used for single-step drilling or reaming operations when you do not expect to replace bushings during the tooling's lifetime. The head can be left exposed, or recessed by counterboring the installation hole. Note: The "length" listed for an inch head-press-fit bushing refers to its length under the head, while the metric version's "length" is its overall length.

SERRATED PRESS FIT:



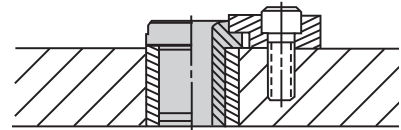
Types **SP** and **SPM** (metric). Similar to a P bushing, but with top serrations to prevent rotation in soft materials. Recommended in high-torque situations for materials such as magnesium, aluminum, masonite, or wood. Finish-ground OD ensures accurate ID location. Serrations also resist axial force to prevent pushing the bushing through the jig plate.

SLIP/FIXED RENEWABLE:



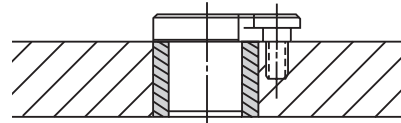
Types **SF**, **SFC** (carbide), and **SFM** (metric). Replaceable bushing generally used with a liner bushing and lockscrew. Use when you expect to replace bushings during the tooling's lifetime, or when you want to switch bushings to perform multi-step operations with the same tooling. SF bushings combine the benefits of older S-type slip-renewable and F-type fixed-renewable bushings: One side has a small recess for fixed mounting; the other has a locking recess that allows the bushing to slip down, then lock in place by rotating it. S and F types are now obsolete and combination SF bushings will be furnished at no extra charge.

FLAT MILLED RENEWABLE:



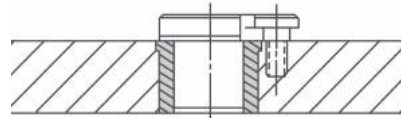
Types **FM** and **FMC** (carbide). Replaceable bushing used for extra resistance to rotational forces under harsh conditions. This bushing, generally used with a liner, has a milled locking flat to allow fastening securely with a flat clamp. FM bushings also have a standard recess on the other side to allow using a lockscrew instead.

LINER:



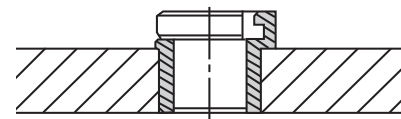
Types **L** and **PM** (metric). Liners are permanent bushings used to hold renewable drill bushings. The liner's ID has a precise sliding fit with the renewable bushing's OD. The hardened liner accurately locates the renewable bushing and protects the jig plate from wear caused by frequent bushing replacement. Note: Metric liner bushings are the same as metric press-fit bushings.

HEAD LINER:



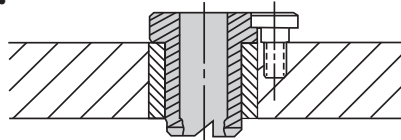
Types **HL** and **HM** (metric). Similar to an L bushing, but with a head to resist heavy axial loads. Head liners are permanent bushings used to hold renewable drill bushings. The head liner's ID has a precise sliding fit with the renewable bushing's OD. The hardened head liner accurately locates the renewable bushing and protects the jig plate from wear caused by frequent bushing replacement. Note: The "length" listed for a head liner refers to its overall length, not its length under the head. Metric head-liner bushings are the same as metric head-press-fit bushings.

UN-A-LOK™ LINER:



Types **UL** and **ULM** (metric). Similar to an HL head liner, but incorporating a special locking tab that eliminates the need for a lockscrew. Un-A-Lok liners are permanent bushings used to hold SF renewable drill bushings (on the "slip" side only, not the "fixed" side). Although slightly more expensive than a head liner plus a lock screw, installation time is dramatically reduced.

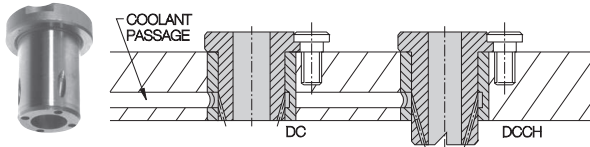
CHIP BREAKER:



Types **CH** and **CHM** (metric). Similar to an SF renewable bushing, but with specially designed chip-breaking notches on the drill-exit end. Use to break up chips from tough, stringy materials, to reduce friction and heat buildup. Reduces bushing wear at the drill-exit end and reduces the chance of tool or workpiece damage. A chip-breaker bushing should extend beyond its liner to allow chips to escape. Chip breakers are also available on other bushing types such as P, H, and DC.

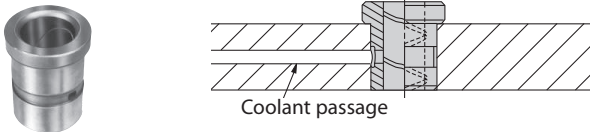
BUSHING SELECTION

DIRECTED COOLANT:



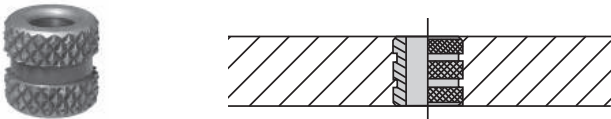
Types **DC**, **DCCH** (chip breaker), **DCL** (liner), and **DCHL** (head liner). Similar to an SF renewable bushing, but with passages to direct coolant to the cutting area. This design is particularly good for washing away chips, especially when ordered as the combination Directed Coolant Chip Breaker (DCCH). DC bushings require special liners, DCL or DCHL, to direct coolant from a drilled manifold passage to the holes in the bushing's OD wall.

OIL GROOVE:



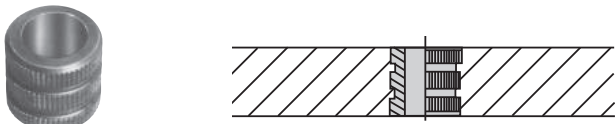
Oil grooves are available on most drill-bushing types, including P, H, and SF. Use when you need complete drill lubrication and cooling, such as when drilling hardened steel. Oil grooves are specially designed coolant passageways in the bushing's ID wall. Choose from 25 different groove styles. End wipers are also available, to keep out dirt and chips.

DIAMOND GROOVE:



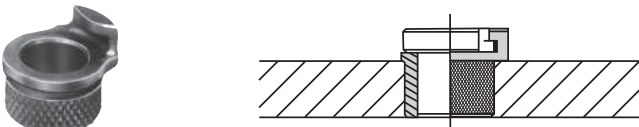
Types **DG** and **DGM** (metric). A bushing for cast-in-place or potted installation. Diamond-knurled OD provides superior holding strength against both rotational and axial forces. Since the bushing's OD is not ground, keep the ID accurately located during casting or potting to ensure accuracy in the finished tool.

SERRATA GROOVE:



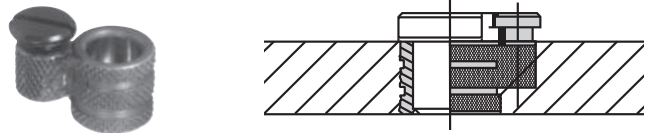
Type **SG**. Can be cast in place or potted, just as a diamond-groove bushing, or can also be pressed into an installation hole. Straight knurl provides less resistance to axial loads than the diamond knurl on a DG bushing. Since the bushing's OD is not ground, keep the ID accurately located during casting or potting to ensure accuracy in the finished tool.

DIAMOND-KNURL UN-A-LOK™ LINER:



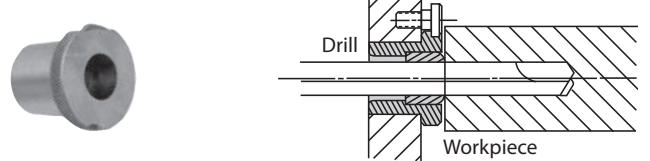
Types **ULD** and **ULDM** (metric). A liner for cast-in-place or potted installation, used to hold SF renewable drill bushings. Un-A-Lok™ liners incorporate a special locking tab that eliminates the need for a lockscrew. Holds only the "slip" side of an SF bushing, not the "fixed" side. Diamond-knurled OD provides superior holding strength against both rotational and axial forces. Since the bushing's OD is not ground, keep the ID accurately located during casting or potting to ensure accuracy in the finished tool.

EZ CAST LINER:



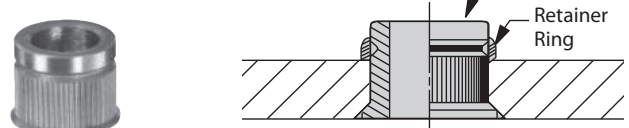
Type **EZ**. Another liner for cast-in-place or potted installation, used to hold SF renewable drill bushings. Unlike diamond-knurl unilock liners, EZ-cast liners hold either the "slip" or "fixed" side of an SF bushing, since they include an integral lockscrew holder. Diamond-knurled OD provides superior holding strength against both rotational and axial forces. Since the bushing's OD is not ground, keep the ID accurately located during casting or potting to ensure accuracy in the finished tool.

GUN DRILL:



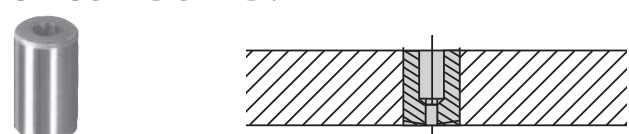
Types **GD**, **GDL** (liner), and **GDI** (insert). Drill bushings for gun-drilling machines, such as Eldorado, Drillmation, DeHoff, and Lahr. Gun drill bushings are similar to SF renewable bushings, but with the drill bearing at the bushing's head end. Depending on the gun-drilling machine, bushings are either one-piece or two-piece (a liner and an insert).

TEMPLATE:



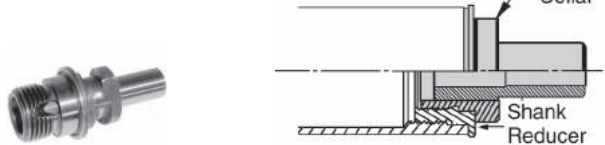
Type **TB**. An economical bushing designed for thin template jig plates from 1/16- to 3/8-inch thick. Bushings are held in place by a retainer ring. The OD serrations prevent the bushing from spinning. Bushings can be removed and reused by breaking the aluminum retainer ring (extra retainer rings available).

CIRCUIT BOARD:



Types **CB** and **CBC** (carbide). Headless and head-type bushings made especially for circuit-board drilling machines. Available for Electro-Mechano, Excellon, Waco, Digital, Nationwide, Edlund, Tektronix, Leland-Gifford, Palomar, Hughes, Rapidrill, and Reliable drilling machines.

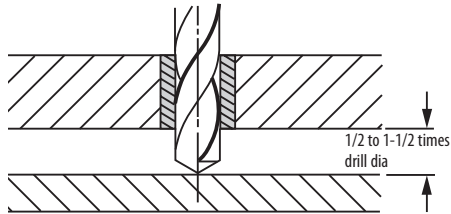
AIR-FEED DRILL:



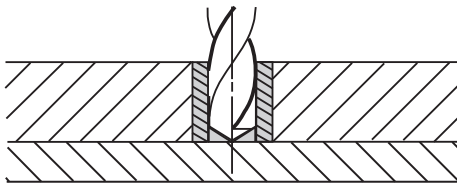
Type **A**. Drill-bushing shanks, collars, adaptors, and locking accessories for air-feed drills, tappers, and back-spotfacers. Available for all standard drill motors, including Gardner-Denver, Keller, Aro, Buckeye, Quackenbush, Desoutter, and Ingersoll-Rand.

INSTALLATION AND TECHNICAL DATA

RECOMMENDED CHIP CLEARANCE:

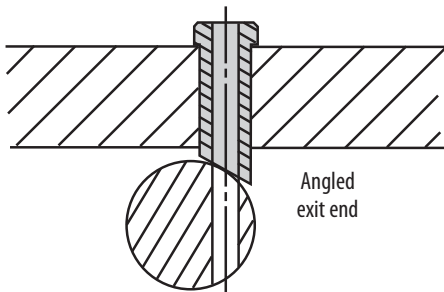


To minimize drill bending and maximize hole accuracy, mount drill bushings as close to the workpiece as possible while still allowing adequate chip clearance. The necessary clearance depends on workpiece material and chip stringiness. For example, cast iron, with fine chips requires about 1/2 times drill diameter for chip clearance. Materials that produce long, stringy chips, such as cold-rolled steel and aluminum, require at least one-drill-diameter clearance. To reduce clearance even with long, stringy chips, exit-end chip breakers are available. **INFO+:** See pages 568-569.



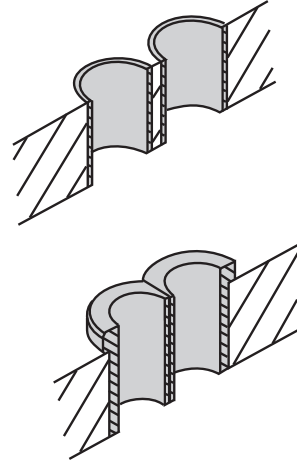
Direct workpiece contact is usually not recommended. Chips can escape only up through the drill's flutes, drill-bearing length is shortened by the drill point's length, and drill-withdrawal burrs can raise the jig plate. Direct contact may be necessary, though, for maximum bearing length when drilling sloped surfaces (see below). Also, reamer bushings can be mounted much closer than drill bushings, due to much finer chips, for more-accurate hole finishing.

SPECIAL BUSHINGS FOR SLOPED WORKPIECE SURFACES:



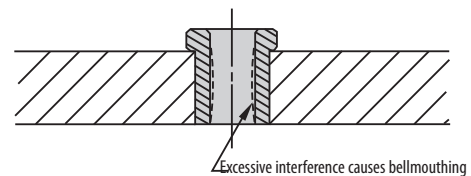
Whenever the drilling axis is not perpendicular to the workpiece surface, locate the exit end as close to the part as possible. Otherwise the drill will tend to wander. For maximum drill guiding, we recommend specifying bushings with an angle milled on the exit end, tangent to the workpiece surface at point of entry.

SPECIAL BUSHINGS FOR CLOSE HOLE SPACING:



When holes are located close together, special bushings are sometimes required. Thinwall bushings, where the bushing ID is larger than the normal ID range for a given OD, are often a good solution. Holes for thinwall bushings must be very accurate and round, because these bushings are more easily distorted. For very-close hole spacing, especially with headed bushings, specify bushings with ground flats.

INSTALLATION-HOLE PREPARATION FOR PRESS-FIT BUSHINGS:



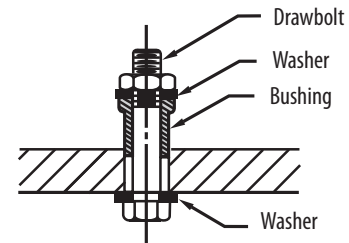
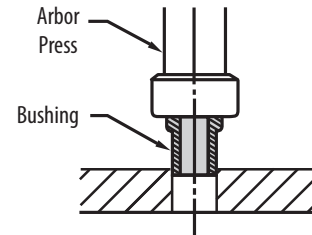
To avoid jig-plate or bushing distortion, do not use excessive interference fits on press-fit bushings. See tables on opposite page for recommended hole sizes in unhardened steel or cast iron jig plates. Always prepare installation holes using a jig borer or reamer. Standard chucking reamers (with a plus tolerance) usually produce installation holes to the tolerances shown in the table. Other factors to consider are: (1) headed bushings require less interference to resist drilling thrust; (2) longer bushings in thick plates require less interference; (3) bushings with thinner walls are more prone to distortion; (4) less-ductile jig-plate materials require less interference.

INSTALLATION AND TECHNICAL DATA

INSTALLATION PROCEDURE:

INCH

PRESS-FIT BUSHING OD		RECOMMENDED HOLE SIZE
NOMINAL	ACTUAL	
5/32	.1578-.1575	.1565-.1570
3/16	.1891-.1888	.1880-.1883
13/64	.2046-.2043	.2037-.2040
1/4	.2516-.2513	.2507-.2510
5/16	.3141-.3138	.3132-.3135
3/8	.3766-.3763	.3757-.3760
13/32	.4078-.4075	.4069-.4072
7/16	.4392-.4389	.4382-.4385
1/2	.5017-.5014	.5007-.5010
9/16	.5642-.5639	.5632-.5635
5/8	.6267-.6264	.6257-.6260
3/4	.7518-.7515	.7507-.7510
7/8	.8768-.8765	.8757-.8760
1	1.0018-1.0015	1.0007-1.0010
1-1/8	1.1270-1.1267	1.1257-1.1260
1-1/4	1.2520-1.2517	1.2507-1.2510
1-3/8	1.3772-1.3768	1.3757-1.3760
1-1/2	1.5021-1.5018	1.5007-1.5010
1-3/4	1.7523-1.7519	1.7507-1.7510
2-1/4	2.2525-2.2521	2.2507-2.2510
2-3/4	2.7526-2.7522	2.7507-2.7510

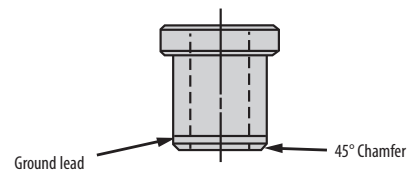


We recommend installing bushings with an arbor press whenever possible. If the bushing's OD is large enough, you can also use a drawbolt with two washers as shown above. If a hammer is the only tool available, do not strike the bushing directly or it could fracture. Use a soft-metal punch to cushion the blows. Before installing a press-fit bushing, lubricate the inside of the mounting hole and outside of the bushing with a lubricant such as lithium grease. Otherwise the bushing may score the mounting hole, and may be difficult to replace later.

METRIC

PRESS-FIT BUSHING OD		RECOMMENDED HOLE SIZE (H7)
NOMINAL	ACTUAL (s6)	
3mm	3.020-3.014mm	3.000-3.010mm
4mm	4.027-4.019mm	4.000-4.012mm
5mm	5.027-5.019mm	5.000-5.012mm
6mm	6.027-6.019mm	6.000-6.012mm
7mm	7.032-7.023mm	7.000-7.015mm
8mm	8.032-8.023mm	8.000-8.015mm
10mm	10.032-10.023mm	10.000-10.015mm
12mm	12.039-12.028mm	12.000-12.018mm
15mm	15.039-15.028mm	15.000-15.018mm
18mm	18.039-18.028mm	18.000-18.018mm
22mm	22.048-22.035mm	22.000-22.021mm
26mm	26.048-26.035mm	26.000-26.021mm
30mm	30.048-30.035mm	30.000-30.021mm
35mm	35.059-35.043mm	35.000-35.025mm
42mm	42.059-42.043mm	42.000-42.025mm
48mm	48.059-48.043mm	48.000-48.025mm
55mm	55.072-55.053mm	55.000-55.030mm
62mm	62.072-62.053mm	62.000-62.030mm
70mm	70.078-70.059mm	70.000-70.030mm
78mm	78.078-78.059mm	78.000-78.030mm
85mm	85.093-85.071mm	85.000-85.035mm
95mm	95.093-95.071mm	95.000-95.035mm
105mm	105.101-105.079mm	105.000-105.035mm
115mm	115.101-115.079mm	115.000-115.035mm
125mm	125.117-125.092mm	125.000-125.040mm

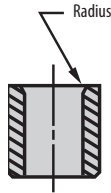
GROUND LEAD FOR EASY INSTALLATION:



All bushings feature a concentric ground lead and a 45° chamfer on the exit end to ensure perfect alignment during installation.

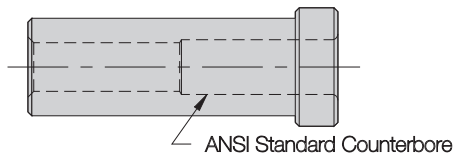
INSTALLATION AND TECHNICAL DATA

DRILL ENTRANCE RADIUS:



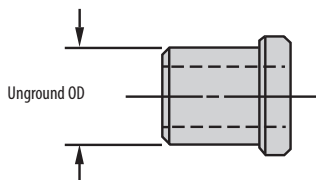
Bushings feature a blended and polished radius at the drill-entrance end for smooth drill entry and proper alignment, preventing drill wear and breakage. Radius size varies in proportion to drill size.

COUNTERBORES ON LONG BUSHINGS:



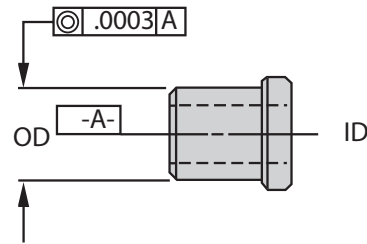
Long bushings with small IDs are slightly counterbored for proper drill-bearing length and chip clearance, as specified by ANSI standards. Counterbores prevent binding and heat buildup due to excessive bearing length. **INFO+:** See chart on page 534 for ANSI counterbore depths. Counterbore diameters are generally 1/32 inch larger than the inside diameter, and are angled at the bottom for smooth entrance. No-counterbore bushings are available on request as specials.

UNGROUND BUSHINGS AVAILABLE FOR OVERSIZE HOLES:



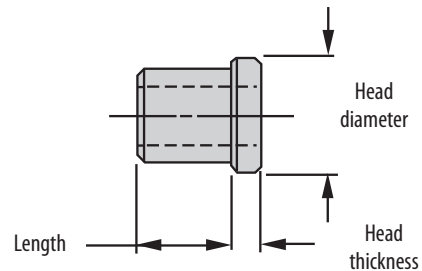
We offer bushings with unfinished ODs for custom-fitting to oversize holes. They are slightly larger than nominal diameter to provide grinding stock, .005-.020 extra, depending on the OD size (see charts under each specific bushing type). We recommend grinding on a mandrel to hold ID/OD concentricity.

CONCENTRICITY:



Bushing OD is ground concentric to the ID to within .0003 TIR for ID sizes from 1/8 inch to 1/2 inch (3mm to 12mm), unless otherwise indicated. For larger or smaller sizes, concentricity is within .0005 TIR. Unground bushings are concentric to within .006 TIR. On counterbored bushings, concentricity applies only over the drill-bearing length.

OTHER TOLERANCES:



Any dimensions where tolerances are not specifically listed are held to +/- .015 inches on standard ANSI sizes. Special tolerances for any dimension are available on request as specials.

MATERIAL:

Standard drill-bushing material is 1144 or 52100 steel, heat treated to achieve RC 62-64 ID hardness, and other high-carbon steels. Optional materials such as tungsten carbide (Grade C2 carbide with steel head), 52100 steel, A2 tool steel, D2 tool steel, M2 tool steel, 416 stainless, 440C stainless, 17-4PH stainless, 303 stainless, 660 bronze, Ampco 18 bronze, Ampco 21 bronze, Oilite, and brass are available as specials. **INFO+:** See pages 543, 544, and 555 for carbide bushings.

COUNTERBORE DATA



TYPE P DRILL BEARING LENGTH

DRILL SIZE (ID)	OD	BUSHING LENGTH												
		1/4	5/16	3/8	1/2	3/4	1	1-3/8	1-1/2	1-3/4	2-1/8	2-1/2	3	
.0135 - .0291	5/32	FULL	FULL	FULL	5/16	5/16	5/16	5/16	5/16	5/16	5/16	5/16	5/16	5/16
.0292 - .0519		FULL	FULL	FULL	5/16	5/16	5/16	5/16	5/16	5/16	5/16	5/16	5/16	5/16
.0520 - .0625		FULL	FULL	FULL	5/16	5/16	5/16	5/16	5/16	5/16	5/16	5/16	5/16	5/16
.0135 - .0291	3/16	FULL	FULL	FULL	5/16	5/16	5/16	5/16	5/16	5/16	5/16	5/16	5/16	5/16
.0292 - .0519		FULL	FULL	FULL	5/16	5/16	5/16	5/16	5/16	5/16	5/16	5/16	5/16	5/16
.0520 - .0634		FULL	FULL	FULL	5/16	5/16	5/16	5/16	5/16	5/16	5/16	5/16	5/16	5/16
.0635 - .0995	13/64	FULL	FULL	FULL	5/16	5/16	5/16	5/16	5/16	5/16	5/16	5/16	5/16	5/16
.0135 - .0291		FULL	FULL	FULL	5/16	5/16	5/16	5/16	5/16	5/16	5/16	5/16	5/16	5/16
.0292 - .0519		FULL	FULL	FULL	5/16	5/16	5/16	5/16	5/16	5/16	5/16	5/16	5/16	5/16
.0520 - .0634	1/4	FULL	FULL	FULL	5/16	5/16	5/16	5/16	5/16	5/16	5/16	5/16	5/16	5/16
.0635 - .0995		FULL	FULL	FULL	5/16	5/16	5/16	5/16	5/16	5/16	5/16	5/16	5/16	5/16
.0980 - .1406		FULL	FULL	FULL	5/16	5/16	5/16	5/16	5/16	5/16	5/16	5/16	5/16	5/16
.1250 - .1935	5/16	FULL	FULL	FULL	FULL	FULL	5/8	5/8	5/8	5/8	5/8	5/8	5/8	5/8
.1935 - .2880	3/8	FULL	FULL	FULL	FULL	FULL	5/8	5/8	5/8	5/8	5/8	5/8	5/8	5/8
.1875 - .2570	13/32	FULL	FULL	FULL	FULL	FULL	5/8	5/8	5/8	5/8	5/8	5/8	5/8	5/8
.2340 - .2900	7/16	FULL	FULL	FULL	FULL	FULL	5/8	5/8	5/8	5/8	5/8	5/8	5/8	5/8
.1875 - .3160	1/2	FULL	FULL	FULL	FULL	FULL	5/8	3/4	3/4	3/4	3/4	3/4	3/4	3/4
.3125 - .4375	5/8	FULL	FULL	FULL	FULL	FULL	FULL	FULL	FULL	FULL	FULL	FULL	1-1/2	1-1/2
.3125 - .5313	3/4	FULL	FULL	FULL	FULL	FULL	FULL	FULL	FULL	FULL	FULL	FULL	1-1/2	1-1/2



TYPE H DRILL BEARING LENGTH

RANGE (ID)	OD	BUSHING LENGTH (UNDER HEAD)												
		1/4	5/16	3/8	1/2	3/4	1	1-3/8	1-1/2	1-3/4	2-1/8	2-1/2	3	
.0135 - .0291	5/32	FULL	FULL	5/16	5/16	5/16	5/16	5/16	5/16	5/16	5/16	5/16	5/16	5/16
.0292 - .0519		FULL	FULL	5/16	5/16	5/16	5/16	5/16	5/16	5/16	5/16	5/16	5/16	5/16
.0520 - .0625		FULL	FULL	5/16	5/16	5/16	5/16	5/16	5/16	5/16	5/16	5/16	5/16	5/16
.0135 - .0291	13/64	FULL	FULL	5/16	5/16	5/16	5/16	5/16	5/16	5/16	5/16	5/16	5/16	5/16
.0292 - .0519		FULL	FULL	5/16	5/16	5/16	5/16	5/16	5/16	5/16	5/16	5/16	5/16	5/16
.0520 - .0634		FULL	FULL	5/16	5/16	5/16	5/16	5/16	5/16	5/16	5/16	5/16	5/16	5/16
.0635 - .0995	1/4	FULL	FULL	5/16	5/16	5/16	5/16	5/16	5/16	5/16	5/16	5/16	5/16	5/16
.0980 - .1406		FULL	FULL	5/16	5/16	5/16	5/16	5/16	5/16	5/16	5/16	5/16	5/16	5/16
.1250 - .1935		FULL	FULL	5/16	5/16	5/16	5/16	5/16	5/16	5/16	5/16	5/16	5/16	5/16
.1935 - .2280	3/8	FULL	FULL	FULL	FULL	FULL	5/8	5/8	5/8	5/8	5/8	5/8	5/8	5/8
.1875 - .2570	13/32	FULL	FULL	FULL	FULL	FULL	5/8	5/8	5/8	5/8	5/8	5/8	5/8	5/8
.2340 - .2900	7/16	FULL	FULL	FULL	FULL	FULL	5/8	5/8	5/8	5/8	5/8	5/8	5/8	5/8
.1875 - .3160	1/2	FULL	FULL	FULL	FULL	FULL	3/4	3/4	3/4	3/4	3/4	3/4	3/4	3/4
.3125 - .4375	5/8	FULL	FULL	FULL	FULL	FULL	FULL	FULL	FULL	FULL	FULL	FULL	1-1/2	1-1/2
.3125 - .5313	3/4	FULL	FULL	FULL	FULL	FULL	FULL	FULL	FULL	FULL	FULL	FULL	1-1/2	1-1/2



TYPE SF & FM DRILL BEARING LENGTH

DRILL SIZE (ID)	OD	BUSHING LENGTH (UNDER HEAD)												
		1/4	5/16	3/8	1/2	3/4	1	1-3/8	1-1/2	1-3/4	2-1/8	2-1/2	3	
.0135 - .0291	3/16	1/4	5/16	5/16	5/16	5/16	5/16	5/16	5/16	5/16	5/16	5/16	5/16	5/16
.0292 - .0519		FULL	5/16	5/16	5/16	5/16	5/16	5/16	5/16	5/16	5/16	5/16	5/16	5/16
.0520 - .0634		FULL	5/16	5/16	5/16	5/16	5/16	5/16	5/16	5/16	5/16	5/16	5/16	5/16
.0635 - .0980	1/4	FULL	FULL	3/8	7/16	7/16	7/16	7/16	7/16	7/16	7/16	7/16	7/16	7/16
.0995 - .1405		FULL	FULL	3/8	7/16	7/16	7/16	7/16	7/16	7/16	7/16	7/16	7/16	7/16
.0135 - .0291		FULL	FULL	3/8	7/16	7/16	7/16	7/16	7/16	7/16	7/16	7/16	7/16	7/16
.0292 - .0519	5/16	1/4	5/16	5/16	5/16	5/16	5/16	5/16	5/16	5/16	5/16	5/16	5/16	5/16
.0520 - .0634		FULL	5/16	5/16	5/16	5/16	5/16	5/16	5/16	5/16	5/16	5/16	5/16	5/16
.0635 - .0934		FULL	5/16	5/16	5/16	5/16	5/16	5/16	5/16	5/16	5/16	5/16	5/16	5/16
.0935 - .1249	3/8	FULL	FULL	3/8	7/16	7/16	7/16	7/16	7/16	7/16	7/16	7/16	7/16	7/16
.1250 - .1935		FULL	FULL	3/8	7/16	7/16	7/16	7/16	7/16	7/16	7/16	7/16	7/16	7/16
.1935 - .2280		FULL	FULL	3/8	7/16	7/16	7/16	7/16	7/16	7/16	7/16	7/16	7/16	7/16
.2340 - .2900	7/16	FULL	FULL	FULL	FULL	FULL	5/8	5/8	5/8	5/8	5/8	5/8	5/8	5/8
.1405 - .1889	1/2	FULL	FULL	FULL	FULL	FULL	5/7	5/8	5/8	5/8	5/8	5/8	5/8	5/8
.1890 - .3438		FULL	FULL	FULL	FULL	FULL	7/8	1	1	1	1	1	1	1
.2950 - .5625		FULL	FULL	FULL	FULL	FULL	FULL	FULL	FULL	FULL	FULL	FULL	FULL	1-1/2

QUICK SHIP DRILL BUSHINGS



Quick-Ship Drill Bushings are popular bushing sizes that we do our best to keep in stock and ready for same-day shipment 100% of the time. These bushings include most common ID drill sizes.

PRESS-FIT BUSHINGS (P)

PART NO.	ID	OD	LENGTH
P-13-4-.0980	#40 (.0980)	13/64	1/4
P-13-8-.0980			1/2
P-16-4-.0980	#40 (.0980)	1/4	1/4
P-16-6-.0980			3/8
P-16-8-.0980			1/2
P-16-16-.0980			1
P-16-8-.0995	#39 (.0995)	1/4	1/2
P-16-8-.1065	#36 (.1065)	1/4	1/2
P-16-8-.1094	7/64 (.1094)	1/4	1/2
P-16-8-.1110	#34 (.1110)	1/4	1/2
P-16-8-.1130	#33 (.1130)	1/4	1/2
P-16-8-.1200	#31 (.1200)	1/4	1/2
P-16-4-.1250	1/8 (.1250)	1/4	1/4
P-16-8-.1250			1/2
P-20-4-.1250	1/8 (.1250)	5/16	1/4
P-20-6-.1250			3/8
P-20-8-.1250			1/2
P-20-12-.1250			3/4
P-16-4-.1285	#30 (.1285)	1/4	1/4
P-16-8-.1285			1/2
P-20-4-.1285	#30 (.1285)	5/16	1/4
P-20-8-.1285			1/2
P-16-8-.1360	#29 (.1360)	1/4	1/2
P-16-8-.1405	#28 (.1405)	1/4	1/2
P-16-8-.1406	9/64 (.1406)	1/4	1/2
P-20-4-.1406	9/64 (.1406)	5/16	1/4
P-20-8-.1406			1/2
P-20-12-.1406			3/4
P-20-8-.1440	#27 (.1440)	5/16	1/2
P-20-6-.1470	#26 (.1470)	5/16	3/8
P-20-8-.1470			1/2
P-20-6-.1495	#25 (.1495)	5/16	3/8
P-20-8-.1495			1/2
P-20-10-.1495			5/8
P-20-6-.1520			#24 (.1520)
P-20-6-.1562	5/32 (.1562)	5/16	3/8
P-20-8-.1562			1/2
P-20-12-.1562			3/4
P-20-4-.1570	#22 (.1570)	5/16	1/4
P-20-6-.1590	#21 (.1590)	5/16	3/8
P-20-8-.1590			1/2
P-20-12-.1590			3/4
P-20-6-.1610			#20 (.1610)
P-20-8-.1610	#19 (.1660)	5/16	1/2
P-20-5-.1660			5/16
P-20-8-.1660	11/64 (.1719)	5/16	1/2
P-20-6-.1719			3/8
P-20-8-.1719			1/2
P-20-12-.1719			3/4
P-20-6-.1730	#17 (.1730)	5/16	3/8
P-20-8-.1730			1/2
P-20-8-.1770	#16 (.1779)	5/16	1/2

PART NO.	ID	OD	LENGTH
P-20-6-.1800	#15 (.1800)	5/16	3/8
P-20-8-.1800			1/2
P-26-6-.1865	.1865	13/32	3/8
P-20-4-.1875	3/16 (.1875)	5/16	1/4
P-20-5-.1875			5/16
P-20-6-.1875			3/8
P-20-8-.1875			1/2
P-20-10-.1875			5/8
P-20-12-.1875			3/4
P-20-16-.1875			1
P-26-4-.1875			1/4
P-26-8-.1875	3/16 (.1875)	13/32	1/2
P-26-12-.1875			3/4
P-26-16-.1875			1
P-32-6-.1875	3/16 (.1875)	1/2	3/8
P-32-8-.1875			1/2
P-32-12-.1875			3/4
P-32-16-.1875			1
P-20-4-.1890	#12 (.1890)	5/16	1/4
P-20-6-.1890			3/8
P-20-8-.1890	#11 (.1910)	5/16	1/2
P-20-4-.1910			1/4
P-20-6-.1910			3/8
P-20-8-.1910			1/2
P-20-12-.1910	#11 (.1910)	5/16	3/4
P-20-16-.1910			1
P-26-4-.1910	#11 (.1910)	13/32	1/4
P-26-6-.1910			3/8
P-26-8-.1910			1/2
P-32-8-.1910	#11 (.1910)	1/2	1/2
P-20-5-.1935	#10 (.1935)	5/16	5/16
P-20-8-.1935	#10 (.1935)	13/32	1/2
P-26-8-.1935			3/8
P-32-8-.1935	#10 (.1935)	1/2	1/2
P-26-8-.1960	#9 (.1960)	13/32	1/2
P-32-6-.1960	#9 (.1960)	1/2	3/8
P-32-8-.1960			1/2
P-32-12-.1960	#9 (.1960)	1/2	3/4
P-24-8-.2010	#7 (.2010)	3/8	1/2
P-26-8-.2010	#7 (.2010)	13/32	1/2
P-32-6-.2010	#7 (.2010)	1/2	3/8
P-32-8-.2010			1/2
P-32-12-.2010			3/4
P-32-6-.2031	13/64 (.2031)	1/2	3/8
P-32-8-.2031			1/2
P-32-12-.2031			3/4
P-32-6-.2130			3/8
P-32-8-.2130	#3 (.2130)	1/2	1/2
P-32-16-.2130	7/32 (.2188)	13/32	1
P-26-6-.2188			3/8
P-26-8-.2188	7/32 (.2188)	1/2	1/2
P-32-6-.2188			3/8
P-32-8-.2188			1/2
P-32-12-.2188			3/4
P-32-16-.2188	#2 (.2210)	13/32	1
P-26-16-.2210			3/8
P-32-6-.2210	#2 (.2210)	1/2	1/2
P-32-8-.2210			1/2
P-32-12-.2210	#1 (.2280)	1/2	3/4
P-32-8-.2280			1/2
P-32-12-.2280	15/64 (.2344)	7/16	3/4
P-28-6-.2344			3/8
P-28-8-.2344			1/2
P-28-12-.2344			3/4
P-32-6-.2380	B (.2380)	1/2	3/8

PART NO.	ID	OD	LENGTH
P-26-6-.2490	.2490	13/32	3/8
P-20-6-.2500	1/4 (.2500)	5/16	3/8
P-24-8-.2500	1/4 (.2500)	3/8	1/2
P-26-4-.2500	1/4 (.2500)	13/32	1/4
P-26-5-.2500			5/16
P-26-6-.2500			3/8
P-26-8-.2500			1/2
P-26-12-.2500			3/4
P-26-16-.2500			1
P-28-4-.2500	1/4 (.2500)	7/16	1/4
P-28-5-.2500			5/16
P-28-6-.2500			3/8
P-28-8-.2500			1/2
P-28-10-.2500			5/8
P-28-12-.2500			3/4
P-28-16-.2500			1
P-32-4-.2500			1/4 (.2500)
P-32-6-.2500	3/8		
P-32-8-.2500	1/2		
P-32-12-.2500	1/4 (.2500)	1/2	3/4
P-32-16-.2500			1
P-26-8-.2510	.2510	13/32	1/2
P-26-12-.2510	.2510	13/32	3/4
P-28-8-.2510			7/16
P-32-8-.2520	6.40mm (.2520)	1/2	1/2
P-26-4-.2570	F (.2570)	13/32	1/4
P-26-5-.2570			5/16
P-26-8-.2570	F (.2570)	7/16	1/2
P-28-16-.2570			1
P-32-6-.2570	F (.2570)	1/2	3/8
P-32-8-.2570			1/2
P-32-12-.2570			3/4
P-32-8-.2610	G (.2610)	1/2	1/2
P-28-8-.2656	17/64 (.2656)	7/16	1/2
P-32-6-.2656	17/64 (.2656)	1/2	3/8
P-32-8-.2656			1/2
P-32-12-.2656			3/4
P-32-16-.2656			1
P-28-5-.2660	H (.2660)	7/16	5/16
P-32-16-.2660	H (.2660)	1/2	1
P-32-8-.2720	I (.2720)	1/2	1/2
P-32-8-.2770	J (.2770)	1/2	1/2
P-32-12-.2770			3/4
P-28-4-.2812	9/32 (.2812)	7/16	1/4
P-28-8-.2812			1/2
P-28-12-.2812			3/4
P-32-6-.2812			3/8
P-32-8-.2812	9/32 (.2812)	1/2	1/2
P-32-8-.2812			3/4
P-32-12-.2812			1
P-32-16-.2812	19/64 (.2969)	1/2	3/4
P-32-12-.2969			1/2
P-32-8-.3020	N (.3020)	1/2	1/2
P-32-12-.3020			3/4
P-32-6-.3115	.3115	1/2	3/8
P-32-6-.3125	5/16 (.3125)	1/2	3/8
P-32-8-.3125			1/2
P-32-12-.3125			3/4
P-32-16-.3125			1
P-40-8-.3125	5/16 (.3125)	5/8	1/2
P-40-16-.3125			1
P-40-22-.3125	O (.3160)	1/2	1-3/8
P-32-6-.3160			3/8
P-32-8-.3160			1/2
P-32-12-.3160			3/4
P-32-16-.3160	21/64 (.3281)	5/8	1
P-40-8-.3281			1/2

QUICK SHIP DRILL BUSHINGS

PRESS-FIT BUSHINGS (P), continued

PART NO.	ID	OD	LENGTH		
P-40-8-.3438	11/32 (.3438)	5/8	1/2		
P-40-8-.3740	9.50mm (.3740)	5/8	1/2		
P-32-6-.3750	3/8 (.3750)	1/2	3/8		
P-32-8-.3750			1/2		
P-40-6-.3750	3/8 (.3750)	5/8	3/8		
P-40-8-.3750			1/2		
P-40-12-.3750			3/4		
P-40-16-.3750			1		
P-48-8-.3750	3/8 (.3750)	3/4	1/2		
P-48-10-.3750			5/8		
P-48-12-.3750			3/4		
P-48-16-.3750			1		
P-48-22-.3750			1-3/8		
P-40-8-.3770			V (.3770)	5/8	1/2
P-40-12-.3770					3/4
P-40-8-.3906			25/64 (.3906)	5/8	1/2
P-40-16-.3906					1
P-40-8-.4062					1/2
P-40-16-.4062	13/32 (.4062)	5/8	1		
P-40-8-.4219			27/64 (.4219)	5/8	1/2
P-48-16-.4219	27/64 (.4219)	3/4	1		
P-40-8-.4375	7/16 (.4375)	5/8	1/2		
P-40-12-.4375			3/4		
P-40-16-.4375			1		
P-48-8-.4375			1/2		
P-48-12-.4375	7/16 (.4375)	3/4	3/4		
P-48-16-.4375			1		
P-48-22-.4375			1-3/8		
P-48-8-.4531			29/64 (.4531)	3/4	1/2
P-48-12-.4531	3/4				
P-48-8-.4688	15/32 (.4688)	3/4	1/2		
P-48-8-.4844	31/64 (.4844)	3/4	1/2		
P-48-12-.4990	.4990	3/4	3/4		
P-40-8-.5000	1/2 (.5000)	5/8	1/2		
P-40-12-.5000			3/4		
P-40-16-.5000			1		
P-48-8-.5000			1/2		
P-48-10-.5000			5/8		
P-48-12-.5000			3/4		
P-48-16-.5000			1		
P-48-20-.5000			1-1/4		
P-48-22-.5000			1-3/8		
P-48-24-.5000			1-1/2		
P-56-10-.5000	1/2 (.5000)	7/8	5/8		
P-56-12-.5000			3/4		
P-56-16-.5000	1/2 (.5000)	1	1		
P-64-8-.5000			1/2		
P-64-12-.5000			3/4		
P-64-16-.5000	.5010	3/4	1/2		
P-48-8-.5010			3/4	1/2	
P-48-10-.5156	33/64 (.5156)	3/4	5/8		
P-48-5-.5312	17/32 (.5312)	3/4	5/16		
P-48-12-.5312			3/4		
P-48-22-.5312			1-3/8		
P-56-8-.5625	9/16 (.5625)	7/8	1/2		
P-56-10-.5625			5/8		
P-56-12-.5625			3/4		
P-56-16-.5938	19/32 (.5938)	7/8	1		
P-48-24-.6250	5/8 (.6250)	3/4	1-1/2		
P-56-8-.6250	5/8 (.6250)	7/8	1/2		
P-56-10-.6250			5/8		
P-56-12-.6250			3/4		
P-56-16-.6250			1		
P-56-20-.6250			1-1/4		
P-56-22-.6250			1-3/8		
P-56-24-.6250			1-1/2		

PART NO.	ID	OD	LENGTH
P-64-8-.6250	5/8 (.6250)	1	1/2
P-64-12-.6250			3/4
P-64-16-.6250			1
P-64-22-.6250			1-3/8
P-56-8-.6406	41/64 (.6406)	7/8	1/2
P-64-8-.6562	21/32 (.6562)	1	1/2
P-64-12-.6562			3/4
P-64-16-.6562			1
P-64-20-.6719			43/64 (.6719)
P-64-8-.6875	11/16 (.6875)	1	1/2
P-64-16-.6875			1
P-64-20-.6875			1-1/4
P-64-8-.7500			1/2
P-64-12-.7500	3/4 (.7500)	1	3/4
P-64-16-.7500			1
P-64-20-.7500			1-1/4
P-64-22-.7500			1-3/8
P-64-24-.7500			1-1/2

LINER BUSHINGS (L)

PART NO.	ID	OD	LENGTH
L-28-8	1/4	7/16	1/2
L-32-4	5/16	1/2	1/4
L-32-8			1/2
L-32-16			1
L-40-6-24	3/8	5/8	3/8
L-40-8-24			1/2
L-48-8	1/2	3/4	1/2
L-48-12			3/4
L-64-8	3/4	1	1/2
L-64-12			3/4
L-64-16			1
L-64-24			1-1/2
L-88-12	1	1-3/8	3/4
L-88-16			1
L-88-22			1-3/8

PRESS-FIT BUSHINGS METRIC (PM)

PART NO.	ID	OD	LENGTH
PM-6-8-3.00	3.00mm	6mm	8mm
PM-8-12-5.00	5.00mm	8mm	12mm
PM-10-10-6.00	6.00mm	10mm	10mm
PM-12-10-6.80	6.80mm	12mm	10mm
PM-12-10-8.00	8.00mm	12mm	10mm
PM-12-16-8.00			16mm
PM-15-12-8.40	8.40mm	15mm	12mm
PM-15-12-10.00	10.00mm	15mm	12mm
PM-18-12-12.00	12.00mm	18mm	12mm
PM-22-16-15.00	15.00mm	22mm	16mm
PM-30-20-20.00	20.00mm	30mm	20mm
PM-42-25-30.00	30.00mm	42mm	25mm

HEAD LINER BUSHINGS (HL)

PART NO.	ID	OD	LENGTH	F DIA	G
HL-48-12	1/2	3/4	3/4	7/8	3/32
HL-64-12	3/4	1	3/4	1-1	1/8

UN-A-LOK® LINER BUSHINGS (UL)

PART NO.	ID	OD	LENGTH	E	F DIA	G
UL-32-8	5/16	1/2	1/2	3/8	9/16	3/32
UL-48-8	1/2	3/4	1/2	1/2	13/16	3/32

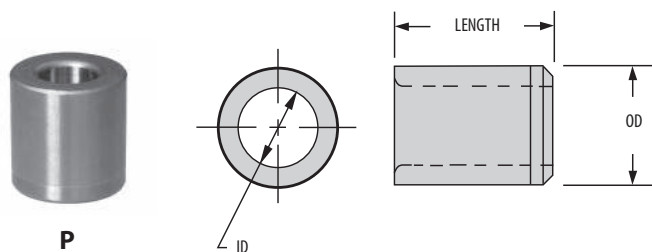
HEAD PRESS-FIT BUSHINGS (H)

PART NO.	ID	OD	LENGTH UNDER HEAD	HEAD DIA	HEAD HEIGHT
H-16-8-.0980	#40 (.0980)	1/4	1/2	23/64	3/32
H-16-6-.1285	#30 (.1285)	1/4	3/8	23/64	3/32
H-16-8-.1285			1/2		
H-24-4-.2210	#2 (.2210)	3/8	1/4	1/2	3/32
H-26-6-.2500	1/4 (.2500)	13/32	3/8	1/2	5/32
H-32-8-.3125	5/16 (.3125)	1/2	1/2	39/64	7/32
H-40-8-.3750	3/8 (.3750)	5/8	1/2	51/64	7/32
H-48-4-.5000	1/2 (.5000)	3/4	1/4	59/64	7/32
H-48-6-.5000			3/8		
H-48-8-.5000			1/2		
H-56-8-.6250	5/8 (.6250)	7/8	1/2	1-7/64	1/4
H-56-16-.6250			1		
H-64-8-.7500	3/4 (.7500)	1	1/2	1-15/64	5/16

HEAD PRESS-FIT BUSHINGS METRIC (HM)

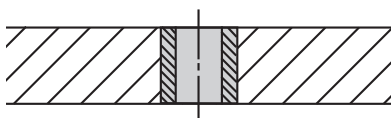
PART NO.	ID	OD	OVERALL LENGTH	HEAD DIA	HEAD HEIGHT
HM-12-16-8.00	8.00mm	12mm	16mm	15mm	3mm
HM-15-12-10.00	10.00mm	15mm	12mm	18mm	3mm
HM-18-20-12.00	12.00mm	18mm	20mm	22mm	4mm
HM-22-16-15.00	15.00mm	22mm	16mm	26mm	4mm
HM-30-20-20.00	20.00mm	30mm	20mm	34mm	5mm
HM-30-20-22.00	22.00mm	30mm	20mm	34mm	5mm
HM-55-30-42.00	42.00mm	55mm	30mm	59mm	5mm

PRESS FIT BUSHINGS



APPLICATIONS:

This is the most-popular and least-expensive drill bushing. P bushings are permanently pressed into the jig plate, usually flush with the top surface. They are generally used for single-step drilling or reaming operations when you do not expect to replace bushings during the tooling's lifetime. P bushings can be mounted closer together than headed bushings, but offer less resistance to heavy axial loads.



ORDERING EXAMPLES:

P-20-16-.1250	Standard inch bushing, inch ID
P-20-16-.1772	Standard inch bushing, mm ID (.1772 = 4.50mm)
P-20-16U-.1250	Unground OD
P-20-16-.1250 REAMER	Reamer tolerance on ID
P-20-16-.1250 NCB	No counterbore on long bushings marked with * (no counterbore is standard on all other bushings)
PC-20-16-.1250	Carbide bushing
PM-8-12-4.50	Standard metric bushing

Standard prices apply only to bushings with a standard-drill-size ID within the stated ID range. See catalog back cover for standard drill sizes and their decimal equivalents. For prices on non-standard ID sizes, including reamer-tolerance and tap-guide bushings, please contact factory.

STANDARD ID TOLERANCES:

From #80 to 1/4"	+ .0001/+ .0004	From .35 to 3mm	+ .002/+ .008mm
Over 1/4 to 3/4"	+ .0001/+ .0005	Over 3 to 6mm	+ .004/+ .012mm
Over 3/4 to 1-1/2"	+ .0002/+ .0006	Over 6 to 10mm	+ .005/+ .014mm
Over 1-1/2 to 2-3/4"	+ .0003/+ .0007	Over 10 to 18mm	+ .006/+ .017mm
		Over 18 to 30mm	+ .007/+ .020mm
		Over 30 to 50mm	+ .009/+ .025mm
		Over 50 to 80mm	+ .010/+ .029mm
		Over 80 to 120mm	+ .012/+ .034mm (G6 tolerance)

REAMER ID TOLERANCES:

From #60 to 1/4"	+ .0005/+ .0008	From 1 to 3mm	+ .006/+ .012mm
Over 1/4 to 1"	+ .0006/+ .0010	Over 3 to 6mm	+ .010/+ .018mm
Over 1" to 1-1/2"	+ .0008/+ .0012	Over 6 to 10mm	+ .013/+ .022mm
		Over 10 to 18mm	+ .016/+ .027mm
		Over 18 to 30mm	+ .020/+ .033mm (F6 tolerance)

ID RANGE	OD	LENGTH	ANSI PART NO.
.0135-.0291 #80-#70 .35-.70mm	5/32 .1578-.1575 (.166-.161 UNG)	1/4	P-10-4
		5/16	P-10-5
		3/8	P-10-6
		*1/2	P-10-8
.0292-.0519 #69-3/64 .75-1.25mm		1/4	P-10-4
		5/16	P-10-5
		3/8	P-10-6
		*1/2	P-10-8
.0520-.0625 #55-1/16 1.30-1.60mm		*3/4	P-10-12
		1/4	P-10-4
		5/16	P-10-5
		3/8	P-10-6
.0520-.0634 #55-1/16 1.30-1.60mm	*1/2	P-10-8	
	*3/4	P-10-12	
	1/4	P-12-4	
	5/16	P-12-5	
.0520-.0634 #55-1/16 1.30-1.60mm	3/8	P-12-6	
	*1/2	P-12-8	
	*5/8	P-12-10	
	*3/4	P-12-12	
.0635-.0995 #52-#39 1.65-2.50mm	.1891-.1888 (.201-.197 UNG)	1/4	P-12-4
	5/16	P-12-5	
	3/8	P-12-6	
	1/2	P-12-8	
.0135-.0291 #80-#70 .35-.70mm	5/8	P-12-10	
	*3/4	P-12-12	
	1/4	P-13-4	
	5/16	P-13-5	
.0292-.0519 #69-3/64 .75-1.30mm	3/8	P-13-6	
	*1/2	P-13-8	
	*3/4	P-13-12	
	1/4	P-13-4	
.0520-.0634 #55-1/16 1.35mm-1.60mm	5/16	P-13-5	
	3/8	P-13-6	
	*1/2	P-13-8	
	*3/4	P-13-12	
.0520-.0634 #55-1/16 1.35mm-1.60mm	*1	P-13-16	
	1/4	P-13-4	
	5/16	P-13-5	
	3/8	P-13-6	
.0635-.0995 #52-#39 1.65-2.50mm	1/2	P-13-8	
	*3/4	P-13-12	
	*1	P-13-16	
	*1-3/8	P-13-22	

* **INFO+**: Counterbored, leaving correct drill-bearing length and clearance (see page 537 for bearing length).

CONTINUED ON NEXT PAGE

PRESS FIT BUSHINGS

ID RANGE	OD	LENGTH	ANSI PART NO.		
.0980-.1406 #40-9/64 2.50-3.50mm	1/4 .2516-.2513 (.265-.260 UNG)	1/4	P-16-4		
		5/16	P-16-5		
		3/8	P-16-6		
		1/2	P-16-8		
		5/8	P-16-10		
		*3/4	P-16-12		
		*1	P-16-16		
		*1-3/8	P-16-22		
		*1-1/2	P-16-24		
		*1-3/4	P-16-28		
.1250-.1935 1/8-#10 3.20-4.90mm	5/16 .3141-.3138 (.327-.322 UNG)	1/4	P-20-4		
		5/16	P-20-5		
		3/8	P-20-6		
		1/2	P-20-8		
		5/8	P-20-10		
		3/4	P-20-12		
		*1	P-20-16		
		*1-3/8	P-20-22		
		*1-1/2	P-20-24		
		*1-3/4	P-20-28		
		.1935-.2280 #10-#1 4.90-5.80mm	3/8 .3766-.3763 (.390-.385 UNG)	1/4	P-24-4
				5/16	P-24-5
3/8	P-24-6				
1/2	P-24-8				
5/8	P-24-10				
3/4	P-24-12				
*1	P-24-16				
.1875-.2570 3/16-F 4.75-6.50mm	13/32 .4078-.4075 (.421-.416 UNG)			1/4	P-26-4
		5/16	P-26-5		
		3/8	P-26-6		
		1/2	P-26-8		
		3/4	P-26-12		
		*1	P-26-16		
		*1-3/8	P-26-22		
		*1-1/2	P-26-24		
.2340-.2900 A-L 5.90-7.40mm	7/16 .4392-.4389 (.453-.448 UNG)	1/4	P-28-4		
		5/16	P-28-5		
		3/8	P-28-6		
		1/2	P-28-8		
		5/8	P-28-10		
		3/4	P-28-12		
		*1	P-28-16		
		.1875-.3160 3/16-O 4.75-8.00mm	1/2 .5017-.5014 (.520-.515 UNG)	1/4	P-32-4
5/16	P-32-5				
3/8	P-32-6				
1/2	P-32-8				
3/4	P-32-12				
*1	P-32-16				
*1-3/8	P-32-22				
*1-1/2	P-32-24				
*1-3/4	P-32-28				
*2-1/8	P-32-34				

* **INFO+**: Counterbored, leaving correct drill-bearing length and clearance (see page 537 for bearing length).

ID RANGE	OD	LENGTH	ANSI PART NO.
.2950-.3438 M-11/32 7.50-8.75mm	9/16 .5642-.5639 (.582-.577 UNG)	1/4	P-36-4
		5/16	P-36-5
		3/8	P-36-6
		1/2	P-36-8
		5/8	P-36-10
		3/4	P-36-12
		1	P-36-16
		.3125-.4375 5/16-7/16 7.90-11.00mm	5/8 .6267-.6264 (.645-.640 UNG)
5/16	P-40-5		
3/8	P-40-6		
1/2	P-40-8		
5/8	P-40-10		
3/4	P-40-12		
1	P-40-16		
1-1/4	P-40-20		
1-3/8	P-40-22		
1-1/2	P-40-24		
.3125-.5312 5/16-17/32 7.90-13.50mm	3/4 .7518-.7515 (.770-.765 UNG)	1/4	P-48-4
		5/16	P-48-5
		3/8	P-48-6
		1/2	P-48-8
		5/8	P-48-10
		3/4	P-48-12
		1	P-48-16
		1-1/4	P-48-20
		1-3/8	P-48-22
		1-1/2	P-48-24
.5000-.6562 1/2-21/32 12.50-16.50mm	7/8 .8768-.8765 (.895-.890 UNG)	5/16	P-56-5
		3/8	P-56-6
		1/2	P-56-8
		5/8	P-56-10
		3/4	P-56-12
		1	P-56-16
		1-1/4	P-56-20
		1-3/8	P-56-22
		1-1/2	P-56-24
		1-3/4	P-56-28
2-1/8	P-56-34		
2-1/2	P-56-40		

CONTINUED ON NEXT PAGE

PRESS FIT BUSHINGS

ID RANGE	OD	LENGTH	ANSI PART NO.		
.5000-.7656 1/2-49/64 12.50-19.50mm	1 1.0018-1.0015 (1.020-1.015 UNG)	1/2	P-64-8		
		5/8	P-64-10		
		3/4	P-64-12		
		1	P-64-16		
		1-1/4	P-64-20		
		1-3/8	P-64-22		
		1-1/2	P-64-24		
		1-3/4	P-64-28		
		2-1/8	P-64-34		
		2-1/2	P-64-40		
.7656-.8438 49/64-27/32 19.50-21.50mm	1-1/8 1.1270-1.1267 (1.145-1.140 UNG)	1/2	P-72-8		
		5/8	P-72-10		
		3/4	P-72-12		
		1	P-72-16		
		1-1/4	P-72-20		
		1-1/2	P-72-24		
		1-3/4	P-72-28		
		.8594-.9375 55/64-15/16 22.00-24.00mm	1-1/4 1.2520-1.2517 (1.270-1.265 UNG)	5/8	P-80-10
				3/4	P-80-12
				1	P-80-16
1-1/4	P-80-20				
1-1/2	P-80-24				
1-3/4	P-80-28				
2	P-80-32				
.6250-1.0312 5/8-1-1/32 16.00-26.00mm	1-3/8 1.3772-1.3768 (1.395-1.390 UNG)			1/2	P-88-8
				5/8	P-88-10
				3/4	P-88-12
		1	P-88-16		
		1-1/4	P-88-20		
		1-3/8	P-88-22		
		1-1/2	P-88-24		
		1-3/4	P-88-28		
		2	P-88-32		
		2-1/8	P-88-34		
1.0156-1.1250 1-1/64-1-1/8 26.00-29.00mm	1-1/2 1.5021-1.5018 (1.520-1.515 UNG)	2-1/2	P-88-40		
		3	P-88-48		
		3/4	P-96-12		
		1	P-96-16		
		1-1/4	P-96-20		
		1-1/2	P-96-24		
		1-3/4	P-96-28		
		2	P-96-32		
		2-1/4	P-96-36		

* **INFO+**: Counterbored, leaving correct drill-bearing length and clearance (see page 537 for bearing length).

ID RANGE	OD	LENGTH	ANSI PART NO.
1.0000-1.3906 1-1-25/64 25.00-35.00mm	1-3/4 1.7523-1.7519 (1.770-1.765 UNG)	3/4	P-112-12
		1	P-112-16
		1-3/8	P-112-22
		1-1/2	P-112-24
		1-3/4	P-112-28
		2-1/8	P-112-34
		2-1/2	P-112-40
		3	P-112-48
1.3750-1.7656 1-3/8-1-49/64 35.00-45.00mm	2-1/4 2.2525-2.2521 (2.270-2.265 UNG)	1	P-144-16
		1-3/8	P-144-22
		1-1/2	P-144-24
		1-3/4	P-144-28
		2-1/8	P-144-34
		2-1/2	P-144-40

For extended-range bushings (larger sizes) please see our web catalog.



5-Axis Workholding

Quick-Change With No Adaptor Plates, Blocks Or Pallets Necessary



- Quintus fixture plates available as blank, or with multi-function holes
- German-built, extremely accurate precision vises
- Allows unrestricted tool access for multiple-side machining
- Numerous jaw types and sizes available

See Pages 373-394

PRESS FIT BUSHINGS – CARBIDE




PC

ID RANGE	OD	LENGTH	ANSI PART NO.
.0280-.0468 #70-#56 .75-1.15mm	5/32 .1578-.1575	5/16	PC-10-5
		1/2	PC-10-8
.0469-.0625 3/64-1/16 1.20-1.55mm	5/32 .1578-.1575	5/16	PC-10-5
		1/2	PC-10-8
.0550-.0995 #54-#39 1.40-2.50mm	13/64 .2046-.2043	5/16	PC-13-5
		1/2	PC-13-8
.0995-.1360 #39-#29 2.55-3.40mm	1/4 .2516-.2513	5/16	PC-16-5
		1/2	PC-16-8
.1285-.1875 #30-3/16 3.30-4.75mm	5/16 .3141-.3138	5/16	PC-20-5
		1/2	PC-20-8
		3/4	PC-20-12
		1	PC-20-16
.1875-.2500 3/16-1/4 4.80-6.30mm	13/32 .4078-.4075	5/16	PC-26-5
		1/2	PC-26-8
		3/4	PC-26-12
		1	PC-26-16
.2188-.3125 7/32-5/16 5.60-7.90mm	1/2 .5017-.5014	5/16	PC-32-5
		1/2	PC-32-8
		3/4	PC-32-12
		1	PC-32-16
.3125-.4219 5/16-27/64 8.00-10.50mm	5/8 .6267-.6264	1-3/8	PC-32-22
		1/2	PC-40-8
		3/4	PC-40-12
.3750-.5000 3/8-1/2 9.60-12.50mm	3/4 .7518-.7515	1	PC-40-16
		1-3/8	PC-40-22
		1/2	PC-48-8
		3/4	PC-48-12
.5000-.6250 1/2-5/8 13.00-15.50mm	7/8 .8768-.8765	1	PC-48-16
		1-3/8	PC-48-22
		1/2	PC-56-8
		3/4	PC-56-12
		1	PC-56-16
		1-3/8	PC-56-22
		1-3/4	PC-56-28


ID RANGE	OD	LENGTH	ANSI PART NO.
.5000-.7500 1/2-3/4 13.00-19.00mm	1 1.0018-1.0015	1/2	PC-64-8
		3/4	PC-64-12
		1	PC-64-16
		1-3/8	PC-64-22
		1-3/4	PC-64-28
		3/4	PC-88-12
		1	PC-88-16
		1-3/8	PC-88-22
.7500-1.0000 3/4-1 19.50-25.00mm	1-3/8 1.3772-1.3768	1-3/4	PC-88-28
		2-1/8	PC-88-34
		2-1/2	PC-88-40
		1	PC-112-16
1.0000-1.3750 1-1-3/8 26.00-34.00mm	1-3/4 1.7523-1.7519	1-3/8	PC-112-22
		1-3/4	PC-112-28
		2-1/8	PC-112-34
		2-1/2	PC-112-40
		3	PC-112-48
		1	PC-144-16
		1-3/8	PC-144-22
		1-3/4	PC-144-28
1.3750-1.7500 1-3/8-1-3/4 35.00-44.00mm	2-1/4 2.2525-2.2521	2-1/8	PC-144-34
		2-1/2	PC-144-40
		3	PC-144-48
		1	PC-144-16

Alignment Pins

Strength and Precision



Ball Lock Pins
(L, T, button or Ring
Handles)



Detent Pins

- Wide assortment of quality ball lock and detent pins for precision alignment
- In steel or stainless steel
- Wide selection of other alignment pins are available

See Pages 27-65

PRESS FIT BUSHINGS – METRIC



PM

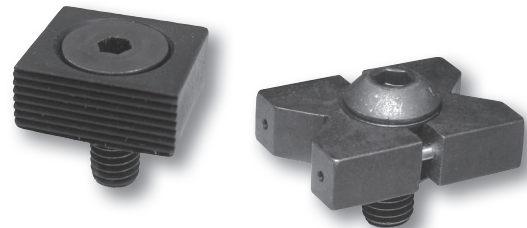
ID RANGE (G6)	OD (s6)	LENGTH	ANSI PART NO.
.35-1.00mm	4mm	*6mm	PM-4-6
		*9mm	PM-4-9
1.01-1.80mm	4.027-4.019mm	6mm	PM-4-6
		9mm	PM-4-9
1.81-2.60mm	5mm	6mm	PM-5-6
		9mm	PM-5-9
2.61-3.30mm	6mm	8mm	PM-6-8
		12mm	PM-6-12
3.31-4.00mm	7mm	16mm	PM-6-16
		8mm	PM-7-8
4.01-5.00mm	8mm	12mm	PM-7-12
		16mm	PM-7-16
5.01-6.00mm	10mm	8mm	PM-8-8
		12mm	PM-8-12
6.01-8.00mm	12mm	16mm	PM-8-16
		10mm	PM-10-10
8.01-10.00mm	15mm	16mm	PM-10-16
		20mm	PM-10-20
10.01-12.00mm	18mm	20mm	PM-10-20
		25mm	PM-10-25
12.01-15.00mm	22mm	12mm	PM-12-10
		16mm	PM-12-16
15.01-18.00mm	26mm	20mm	PM-12-20
		28mm	PM-12-28
18.01-22.00mm	30mm	36mm	PM-12-36
		16mm	PM-15-12
22.01-26.00mm	35mm	20mm	PM-15-20
		28mm	PM-15-28
26.01-30.00mm	42mm	36mm	PM-15-36
		45mm	PM-15-45
30.01-35.00mm	48mm	20mm	PM-18-12
		25mm	PM-18-25
35.01-42.00mm	55mm	28mm	PM-18-28
		36mm	PM-18-36
42.01-48.00mm	62mm	45mm	PM-18-45
		56mm	PM-18-56

ID RANGE (G6)	OD (s6)	LENGTH	ANSI PART NO.
48.01-55.00mm	70mm 70.078-70.059mm	30mm	PM-70-30
		56mm	PM-70-56
		67mm	PM-70-67
55.01-63.00mm	78mm 78.078-78.059mm	35mm	PM-78-35
		67mm	PM-78-67
		78mm	PM-78-78
63.01-70.00mm	85mm 85.093-85.071mm	35mm	PM-85-35
		67mm	PM-85-67
		78mm	PM-85-78
70.01-78.00mm	95mm 95.093-95.071mm	40mm	PM-95-40
		78mm	PM-95-78
		105mm	PM-95-105
78.01-85.00mm	105mm 105.101-105.079mm	40mm	PM-105-40
		78mm	PM-105-78
		105mm	PM-105-105
85.01-95.00mm	115mm 115.101-115.079mm	45mm	PM-115-45
		89mm	PM-115-89
		112mm	PM-115-112
95.01-105.00mm	125mm 125.117-125.092mm	45mm	PM-125-45
		89mm	PM-125-89
		112mm	PM-125-112

* Small metric drill sizes through .80mm are counterbored 1.00mm diameter, with 3mm drill-bearing length.

TINY VISE® Edge Clamps

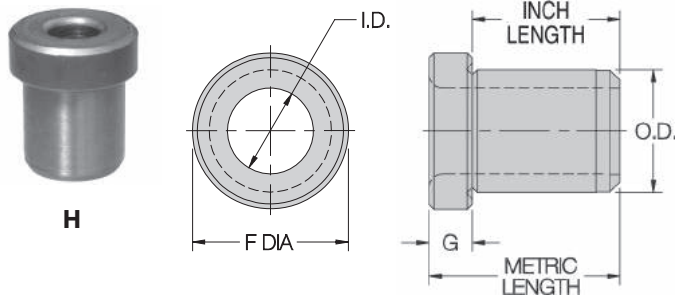
Strong Clamping Action For Fixturing Small Parts



- Patented Tiny Vise® edge clamps grip the side of the workpiece to keep the top clear for machining
- Clamping force is applied by positive screw action with the easy turn of a hex wrench
- Only Tiny Vise® Edge Clamps truly exert down thrust force on the workpiece, to prevent it from lifting
- Four types in a wide range of sizes from #8-32 thread to 1"-8 thread with 2,500 lbs. clamping force
- Patented, more durable than similar clamps

See Pages 282-290

HEAD PRESS FIT BUSHINGS



ORDERING EXAMPLES:

H-20-16-.1250	Standard inch bushing, inch ID
H-20-16-.1772	Standard inch bushing, mm ID (.1772 = 4.50mm)
H-20-16U-.1250	Unground OD
H-20-16-.1250 REAMER	Reamer tolerance on ID
H-20-16-.1250 NCB	No counterbore on long bushings marked with * (no counterbore is standard on all other bushings)
HC-20-16-.1250	Carbide bushing
HM-8-12-4.50	Standard metric bushing

Standard prices apply only to bushings with a standard-drill-size ID within the stated ID range. See catalog back cover for standard drill sizes and their decimal equivalents. For prices on non-standard ID sizes, including reamer-tolerance and tap-guide bushings, please contact factory.

INCH

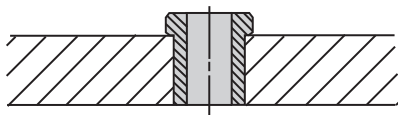
BODY OD	F DIA	G
5/32	1/4	3/32
13/64	19/64	3/32
1/4	23/64	3/32
5/16	27/64	1/8
3/8	1/2	3/32
13/32	1/2	5/32
7/16	9/16	3/32
1/2	39/64	7/32
9/16	11/16	3/32
5/8	51/64	7/32
3/4	59/64	7/32
7/8	1-7/64	1/4
1	1-15/64	5/16
1-1/4	1-1/2	1/4
1-3/8	1-39/64	3/8
1-3/4	1-63/64	3/8
2-1/4	2-31/6	3/8

METRIC

BODY OD	F DIA	G
4mm	7mm	2mm
5mm	8mm	2mm
6mm	9mm	2.5mm
7mm	10mm	2.5mm
8mm	11mm	2.5mm
10mm	13mm	3mm
12mm	15mm	3mm
15mm	18mm	3mm
18mm	22mm	4mm
22mm	26mm	4mm
26mm	30mm	4mm
30mm	34mm	5mm
35mm	39mm	5mm
42mm	46mm	5mm
48mm	52mm	5mm
55mm	59mm	5mm
62mm	66mm	6mm
70mm	74mm	6mm
78mm	82mm	6mm
85mm	90mm	6mm
95mm	100mm	6mm
105mm	110mm	6mm
115mm	120mm	6mm
125mm	130mm	6mm

APPLICATIONS:

Similar to a P bushing, but with a head to resist heavy axial loads. H bushings are permanently pressed into the jig plate. They are generally used for single-step drilling or reaming operations when you do not expect to replace bushings during the tooling's lifetime. The head can be left exposed, or recessed by counterboring the installation hole. **Note: The "length" listed for an inch head-press-fit bushing refers to its length under the head, while the metric version's "length" is its overall length.**



STANDARD ID TOLERANCES:

From #80 to 1/4"	+0.001/+0.0004	From .35 to 3mm	+0.002/+0.008mm
Over 1/4 to 3/4"	+0.001/+0.0005	Over 3 to 6mm	+0.004/+0.012mm
Over 3/4 to 1-1/2"	+0.002/+0.0006	Over 6 to 10mm	+0.005/+0.014mm
Over 1-1/2 to 2-3/4"	+0.003/+0.0007	Over 10 to 18mm	+0.006/+0.017mm
		Over 18 to 30mm	+0.007/+0.020mm
		Over 30 to 50mm	+0.009/+0.025mm
		Over 50 to 80mm	+0.010/+0.029mm
		Over 80 to 120mm	+0.012/+0.034mm (G6 tolerance)

REAMER ID TOLERANCES:

From #60 a 1/4"	+0.005/+0.0008	From 1 to 3mm	+0.006/+0.012mm
Over 1/4 to 1"	+0.006/+0.0010	Over 3 to 6mm	+0.010/+0.018mm
Over 1 to 1-1/2"	+0.008/+0.0012	Over 6 to 10mm	+0.013/+0.022mm
		Over 10 to 18mm	+0.016/+0.027mm
		Over 18 to 30mm	+0.020/+0.033mm (F6 tolerance)

ID RANGE	OD	LENGTH	ANSI PART NO.
.0135-.0291 #80-#70 .35-.70mm	.5/32 .1578-.1575 (.166-.161 UNG)	1/4	H-10-4
		5/16	H-10-5
		*3/8	H-10-6
		*1/2	H-10-8
.0292-.0519 #69-3/64 .75-1.25mm		1/4	H-10-4
		5/16	H-10-5
		*3/8	H-10-6
		*1/2	H-10-8
.0520-.0625 #55-1/16 1.30-1.60mm		*3/4	H-10-12
		1/4	H-10-4
		5/16	H-10-5
		3/8	H-10-6
		*1/2	H-10-8
		*3/4	H-10-12

* INFO+: Counterbored, leaving correct drill-bearing length and clearance (see page 537 for bearing length).

CONTINUED ON NEXT PAGE

HEAD PRESS FIT BUSHINGS

ID RANGE	OD	LENGTH	ANSI PART NO.
.0135-.0291 #80-#70 .35-.70mm	13/64 .2046-.2043 (.213-.208 UNG)	1/4	H-13-4
		5/16	H-13-5
		*3/8	H-13-6
		*1/2	H-13-8
1/4		H-13-4	
.0292-.0519 #69-3/64 .75-1.30mm		5/16	H-13-5
		*3/8	H-13-6
		*1/2	H-13-8
		*3/4	H-13-12
.0520-.0634 #55-1/16 1.35-1.60mm		1/4	H-13-4
		5/16	H-13-5
		3/8	H-13-6
		*1/2	H-13-8
		*3/4	H-13-12
		*1	H-13-16
.0635-.0995 #52-#39 1.65-2.50mm		1/4	H-13-4
	5/16	H-13-5	
	3/8	H-13-6	
	*1/2	H-13-8	
	*3/4	H-13-12	
.0980-.1406 #40-9/64 2.50-3.50mm	*1	H-13-16	
	1/4	H-16-4	
	5/16	H-16-5	
	3/8	H-16-6	
	*1/2	H-16-8	
	*5/8	H-16-10	
	*3/4	H-16-12	
	*1	H-16-16	
	*1-3/8	H-16-22	
	*1-1/2	H-16-24	
.1250-.1935 1/8-#10 3.20-4.90mm	1/4	H-20-4	
	5/16	H-20-5	
	3/8	H-20-6	
	1/2	H-20-8	
	5/8	H-20-10	
	3/4	H-20-12	
	*1	H-20-16	
	*1-3/8	H-20-22	
.1935-.2280 #10-#1 4.90-5.80mm	*1-1/2	H-20-24	
	1/4	H-24-4	
	5/16	H-24-5	
	3/8	H-24-6	
	1/2	H-24-8	
	5/8	H-24-10	
	3/4	H-24-12	
.1875-.2570 3/16-F 4.75-6.50mm	*1	H-24-16	
	1/4	H-26-4	
	5/16	H-26-5	
	3/8	H-26-6	
	1/2	H-26-8	
	3/4	H-26-12	
	*1	H-26-16	
	*1-3/8	H-26-22	
	*1-1/2	H-26-24	
	*1-3/4	H-26-28	

ID RANGE	OD	LENGTH	ANSI PART NO.
.2340-.2900 A-L 5.90-7.40mm	7/16 .4392-.4389 (.453-.448 UNG)	1/4	H-28-4
		5/16	H-28-5
		3/8	H-28-6
		1/2	H-28-8
		5/8	H-28-10
		3/4	H-28-12
.1875-.3160 3/16-O 4.75-8.00mm	1/2 .5017-.5014 (.520-.515 UNG)	*1	H-28-16
		1/4	H-32-4
		5/16	H-32-5
		3/8	H-32-6
		1/2	H-32-8
		3/4	H-32-12
		*1	H-32-16
		*1-3/8	H-32-22
.2950-.3438 M-11/32 7.50-8.75mm	9/16 .5642-.5639 (.582-.577 UNG)	*1-1/2	H-32-24
		*1-3/4	H-32-28
		1/4	H-36-4
		5/16	H-36-5
		3/8	H-36-6
		1/2	H-36-8
.3125-.4375 5/16-7/16 7.90-11.00mm	5/8 .6267-.6264 (.645-.640 UNG)	5/8	H-36-10
		3/4	H-36-12
		1	H-36-16
		1/4	H-40-4
		5/16	H-40-5
		3/8	H-40-6
		1/2	H-40-8
		5/8	H-40-10
		3/4	H-40-12
		1	H-40-16
.3125-.5312 5/16-17/32 7.90-13.50mm	3/4 .7518-.7515 (.770-.765 UNG)	1-3/8	H-40-22
		1-1/2	H-40-24
		1-3/4	H-40-28
		2-1/8	H-40-34
		1/4	H-48-4
		5/16	H-48-5
		3/8	H-48-6
		1/2	H-48-8
		5/8	H-48-10
		3/4	H-48-12
.1935-.2280 #10-#1 4.90-5.80mm	3/8 .3766-.3763 (.390-.385 UNG)	1	H-48-16
		1-1/4	H-48-20
		1-3/8	H-48-22
		1-1/2	H-48-24
		1-3/4	H-48-28
		2-1/8	H-48-34
		2-1/4	H-48-40

CONTINUED ON NEXT PAGE

* **INFO+**: Counterbored, leaving correct drill-bearing length and clearance (see page 537 for bearing length).

HEAD PRESS FIT BUSHINGS

ID RANGE	OD	LENGTH	ANSI PART NO.
.5000-.6562 1/2-21/32 12.50-16.50mm	7/8 .8768-.8765 (.895-.890 UNG)	1/2	H-56-8
		5/8	H-56-10
		3/4	H-56-12
		1	H-56-16
		1-1/4	H-56-20
		1-3/8	H-56-22
		1-1/2	H-56-24
		1-3/4	H-56-28
		2-1/8	H-56-34
2-1/2	H-56-40		
.5000-.7656 1/2-49/64 12.50-19.50mm	1 1.0018-1.0015 (1.020-1.015 UNG)	1/2	H-64-8
		3/4	H-64-12
		1	H-64-16
		1-3/8	H-64-22
		1-1/2	H-64-24
		1-3/4	H-64-28
		2-1/8	H-64-34
		2-1/2	H-64-40
		3	H-64-48
.8594-.9375 55/64-15/16 22.00-24.00mm	1-1/4 1.2520-1.2517 (1.270-1.265 UNG)	5/8	H-80-10
		3/4	H-80-12
		1	H-80-16
		1-1/4	H-80-20
		1-1/2	H-80-24
		1-3/4	H-80-28
		2	H-80-32
.6250-1.0312 5/8-1-1/32 16.00-26.00mm	1-3/8 1.3772-1.3768 (1.395-1.390 UNG)	1/2	H-88-8
		3/4	H-88-12
		1	H-88-16
		1-3/8	H-88-22
		1-1/2	H-88-24
		1-3/4	H-88-28
		2-1/8	H-88-34
		2-1/2	H-88-40
		3	H-88-48
1.0000-1.3906 1-1-25/64 26.00-35.00mm	1-3/4 1.7523-1.7519 (1.770-1.765 UNG)	3/4	H-112-12
		1	H-112-16
		1-3/8	H-112-22
		1-1/2	H-112-24
		1-3/4	H-112-28
		2-1/8	H-112-34
		2-1/2	H-112-40
1.3750-1.7656 1-3/8-1-49/64 35.00-45.00mm	2-1/4 2.2525-2.2521 (2.270-2.265 UNG)	1	H-144-16
		1-3/8	H-144-22
		1-1/2	H-144-24
		1-3/4	H-144-28
		2-1/8	H-144-34
		2-1/2	H-144-40
		3	H-144-48

For extended-range bushings (larger sizes) please see our web catalog.

Hoist Rings

**Trusted to Move
Your Most Important
Materials!**



**Many Varieties
Of Hoist Rings**

- Swivel Hoist Rings
- Safety Hoist Rings
- Pivoting Hoist Rings
- Lifting Eyes
- Side-Pull Hoist Rings

See Pages 73-92

HEAD PRESS FIT BUSHINGS – CARBIDE



HC

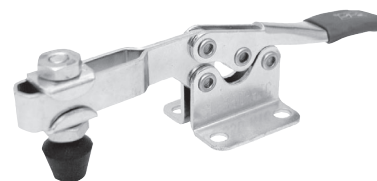
ID RANGE	OD	LENGTH	ANSI PART NO.
.0280-.0468 #70-#56 .75-1.15mm	5/32 .1578-.1575	5/16	HC-10-5
		1/2	HC-10-8
.0469-.0625 3/64-1/16 1.20-1.55mm	5/32 .1578-.1575	5/16	HC-10-5
		1/2	HC-10-8
.0550-.0995 #54-#39 1.40-2.50mm	13/64 .2046-.2043	5/16	HC-13-5
		1/2	HC-13-8
.0995-.1360 #39-#29 2.55-3.40mm	1/4 .2516-.2513	5/16	HC-16-5
		1/2	HC-16-8
.1285-.1875 #30-3/16 3.30-4.75mm	5/16 .3141-.3138	5/16	HC-20-5
		1/2	HC-20-8
		3/4	HC-20-12
		1	HC-20-16
.1875-.2500 3/16-1/4 4.80-6.30mm	13/32 .4078-.4075	5/16	HC-26-5
		1/2	HC-26-8
		3/4	HC-26-12
		1	HC-26-16
.2188-.3125 7/32-5/16 5.60-7.90mm	1/2 .5017-.5014	5/16	HC-32-5
		1/2	HC-32-8
		3/4	HC-32-12
		1	HC-32-16
.3125-.4219 5/16-27/64 8.00-10.50mm	5/8 .6267-.6264	1-3/8	HC-32-22
		1/2	HC-40-8
		3/4	HC-40-12
		1	HC-40-16
.3750-.5000 3/8-1/2 9.60-12.50mm	3/4 .7518-.7515	1-3/8	HC-40-22
		1/2	HC-48-8
		3/4	HC-48-12
		1	HC-48-16
.5000-.6250 1/2-5/8 13.00-15.50mm	7/8 .8768-.8765	1-3/8	HC-48-22
		1/2	HC-56-8
		3/4	HC-56-12
		1	HC-56-16
		1-3/8	HC-56-22
		1-3/4	HC-56-28

Note: Due to manufacturing requirements, head dimensions of some carbide bushings may differ slightly from ANSI standards. Most carbide bushings have steel heads.

ID RANGE	OD	LENGTH	ANSI PART NO.
.5000-.7500 1/2-3/4 13.00-19.00mm	1 1.0018-1.0015	1/2	HC-64-8
		3/4	HC-64-12
		1	HC-64-16
		1-3/8	HC-64-22
		1-3/4	HC-64-28
.7500-1.0000 3/4-1 19.50-25.00mm	1-3/8 1.3772-1.3768	3/4	HC-88-12
		1	HC-88-16
		1-3/8	HC-88-22
		1-3/4	HC-88-28
		2-1/8	HC-88-34
		2-1/2	HC-88-40
		1	HC-112-16
		1-3/8	HC-112-22
1.0000-1.3750 1-1-3/8 26.00-34.00mm	1-3/4 1.7523-1.7519	1-3/4	HC-112-28
		2	HC-112-32
		2-1/8	HC-112-34
		2-1/2	HC-112-40
		3	HC-112-48
		1	HC-144-16
		1-3/8	HC-144-22
		1-3/4	HC-144-28
		2-1/8	HC-144-34
		2-1/2	HC-144-40
		3	HC-144-48

Toggle Clamps

**High Quality, Durable
And Made in the USA!**



- A fast, easy workholding option
- Made of durable high grade steel
- Many varieties available
- Comfortable handle grip

See Pages 451-526

HEAD PRESS FIT BUSHINGS – METRIC



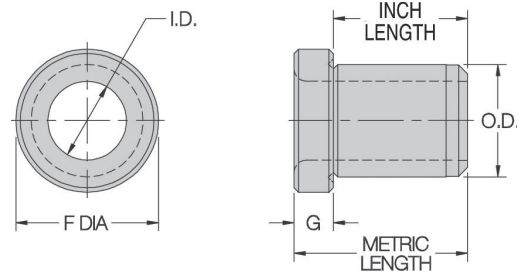
HM

ID RANGE (G6)	OD (s6)	LENGTH	ANSI PART NO.
.35-1.00mm	4mm	*6mm	HM-4-6
		*9mm	HM-4-9
1.01-1.80mm	4.027-4.019mm	6mm	HM-4-6
		9mm	HM-4-9
1.81-2.60mm	5mm	6mm	HM-5-6
		9mm	HM-5-9
2.61-3.30mm	6mm	8mm	HM-6-8
		12mm	HM-6-12
		16mm	HM-6-16
3.31-4.00mm	7mm	8mm	HM-7-8
		12mm	HM-7-12
		16mm	HM-7-16
4.01-5.00mm	8mm	8mm	HM-8-8
		12mm	HM-8-12
		16mm	HM-8-16
5.01-6.00mm	10mm	10mm	HM-10-10
		16mm	HM-10-16
		20mm	HM-10-20
6.01-8.00mm	12mm	10mm	HM-12-10
		16mm	HM-12-16
		20mm	HM-12-20
8.01-10.00mm	15mm	12mm	HM-15-12
		20mm	HM-15-20
		25mm	HM-15-25
10.01-12.00mm	18mm	12mm	HM-18-12
		20mm	HM-18-20
		25mm	HM-18-25
12.01-15.00mm	22mm	16mm	HM-22-16
		28mm	HM-22-28
		36mm	HM-22-36
15.01-18.00mm	26mm	16mm	HM-26-16
		28mm	HM-26-28
		36mm	HM-26-36
18.01-22.00mm	30mm	20mm	HM-30-20
		36mm	HM-30-36
		45mm	HM-30-45
22.01-26.00mm	35mm	20mm	HM-35-20
		36mm	HM-35-36
		45mm	HM-35-45
26.01-30.00mm	42mm	25mm	HM-42-25
		45mm	HM-42-45
		56mm	HM-42-56
30.01-35.00mm	48mm	25mm	HM-48-25
		45mm	HM-48-45
		56mm	HM-48-56
35.01-42.00mm	55mm	30mm	HM-55-30
		56mm	HM-55-56
		67mm	HM-55-67
42.01-48.00mm	62mm	30mm	HM-62-30
		56mm	HM-62-56
		67mm	HM-62-67

* **INFO+**: Counterbored, leaving correct drill-bearing length and clearance (see page 537 for bearing length).

ID RANGE (G6)	OD (s6)	LENGTH	ANSI PART NO.
48.01-55.00mm	70mm 70.078-70.059mm	30mm	HM-70-30
		56mm	HM-70-56
		67mm	HM-70-67
55.01-63.00mm	78mm 78.078-78.059mm	35mm	HM-78-35
		67mm	HM-78-67
		78mm	HM-78-78
63.01-70.00mm	85mm 85.093-85.071mm	35mm	HM-85-35
		67mm	HM-85-67
		78mm	HM-85-78
70.01-78.00mm	95mm 95.093-95.071mm	40mm	HM-95-40
		78mm	HM-95-78
		105mm	HM-95-105
78.01-85.00mm	105mm 105.101-105.079mm	40mm	HM-105-40
		78mm	HM-105-78
		105mm	HM-105-105
85.01-95.00mm	115mm 115.101-115.079mm	45mm	HM-115-45
		89mm	HM-115-89
		112mm	HM-115-112
95.01-105.00mm	125mm 125.117-125.092mm	45mm	HM-125-45
		89mm	HM-125-89
		112mm	HM-125-112

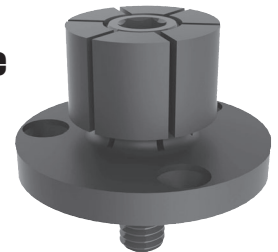
* Small metric drill sizes through .80mm are counterbored 1.00mm diameter, with 3mm drill-bearing length.



Note: The "length" listed on this page for a metric head-press-fit bushing refers to its overall length, while the inch version's "length" is its length under the head.

ID Clamps Provide 5-Side Machining Access

**Self-Centering,
Allowing Precise
Clamping on
Inner
Diameter
Of Your Part**



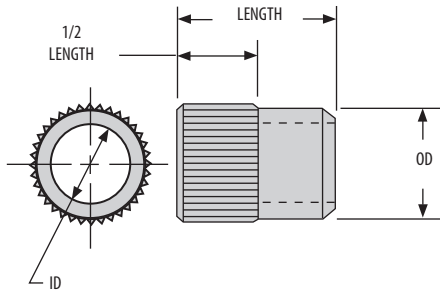
- Machinable to precisely fit the desired hole
- Clamp a part using an existing hole
- Allows access to five sides without any clamp interference

See Pages 308-309

SERRATED PRESS FIT BUSHINGS

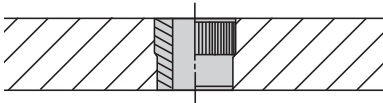


SP



APPLICATIONS:

Similar to a P bushing, but with top serrations to prevent rotation in soft materials. Recommended in high-torque situations for materials such as magnesium, aluminum, masonite, or wood. Finish-ground OD ensures accurate ID location. Serrations also resist axial force to prevent pushing the bushing through the jig plate.



ORDERING EXAMPLES:

SP-26-16-.1875	Standard inch bushing, inch ID
SP-26-16-.1772	Standard inch bushing, mm ID (.1772 - 4.50mm)
SP-26-16-.1875 REAMER	Reamer tolerance on ID
SP-26-16-.1875 NCB	No counterbore on long bushings marked with * (no counterbore is standard on all other bushings)
SPM-8-12-4.50	Standard metric bushing

Standard prices apply only to bushings with a standard-drill-size ID within the stated ID range. See catalog back cover for standard drill sizes and their decimal equivalents. For prices on non-standard ID sizes, including reamer-tolerance and tap-guide bushings, please contact factory.

STANDARD ID TOLERANCES:

From #55 to 1/4"	+0.001/+0.004	From 1 to 3mm	+0.002/+0.008mm
Over 1/4 to 3/4"	+0.001/+0.005	Over 3 to 6mm	+0.004/+0.012mm
Over 3/4 to 1-1/2"	+0.002/+0.006	Over 6 to 10mm	+0.005/+0.014mm
		Over 10 to 18mm	+0.006/+0.017mm
		Over 18 to 19mm	+0.007/+0.020mm
			(G6 tolerance)

REAMER ID TOLERANCES:

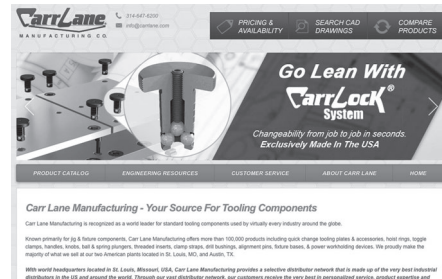
From #60 to 1/4"	+0.0005/+0.0008	From 1 to 3mm	+0.006/+0.012mm
Over 1/4 to 1"	+0.0006/+0.0010	Over 3 to 6mm	+0.010/+0.018mm
		Over 6 to 10mm	+0.013/+0.022mm
		Over 10 to 18mm	+0.016/+0.027mm
		Over 18 to 19mm	+0.020/+0.033mm
			(F6 tolerance)

ID RANGE	OD	LENGTH	ANSI PART NO.
.0520-.0995 #55-#39 1.35-2.50mm	13/64 .2031-.2029	1/4	SP-13-4
		5/16	SP-13-5
		3/8	SP-13-6
		1/2	SP-13-8
.0980-.1406 #40-9/64 2.50-3.50mm	1/4 .2500-.2498	1/4	SP-16-4
		5/16	SP-16-5
		3/8	SP-16-6
		1/2	SP-16-8
.1250-.1935 1/8-#10 3.20-4.90mm	5/16 .3125-.3123	1/4	SP-20-4
		5/16	SP-20-5
		3/8	SP-20-6
		1/2	SP-20-8
		3/4	SP-20-12
.1562-.2570 5/32-F 4.00-6.50mm	13/32 .4062-.4060	5/16	SP-26-5
		3/8	SP-26-6
		1/2	SP-26-8
		3/4	SP-26-12
		*1	SP-26-16
.1562-.3160 5/32-O 4.00-8.00mm	1/2 .5000-.4998	5/16	SP-32-5
		3/8	SP-32-6
		1/2	SP-32-8
		3/4	SP-32-12
		*1	SP-32-16
.3125-.4375 5/16-7/16 7.90-11.00mm	5/8 .6250-.6248	3/8	SP-40-6
		1/2	SP-40-8
		3/4	SP-40-12
		1	SP-40-16
.3125-.5312 5/16-17/32 8.00-13.00mm	3/4 .7500-.7498	3/8	SP-48-6
		1/2	SP-48-8
		3/4	SP-48-12
		1	SP-48-16
.5000-.6562 1/2-21/32 13.00-16.50mm	7/8 .8750-.8748	3/8	SP-56-6
		1/2	SP-56-8
		3/4	SP-56-12
		1	SP-56-16
.5000-.7656 1/2-49/64 13.00-19.00mm	1 1.0000-.9998	1/2	SP-64-8
		3/4	SP-64-12
		1	SP-64-16
		1-3/8	SP-64-22

* **INFO+:** Counterbored, leaving correct drill-bearing length and clearance (see page 537 for bearing length).

Have You Visited Our Website?

Online Ordering | Free CAD Drawings | Engineering Resources
Create your customer account for additional features!



Visit CarrLane.com

SERRATED PRESS FIT BUSHINGS – METRIC



SPM

ID RANGE (G6)	OD (h5)	LENGTH	ANSI PART NO.
1.00-1.80mm	5mm	6mm	SPM-5-6
		9mm	SPM-5-9
1.81-2.60mm	5.000-4.995mm	6mm	SPM-5-6
		9mm	SPM-5-9
2.61-3.30mm	6mm	8mm	SPM-6-8
		12mm	SPM-6-12
		16mm	SPM-6-16
3.31-4.00mm	7mm	8mm	SPM-7-8
		12mm	SPM-7-12
		16mm	SPM-7-16
4.01-5.00mm	8mm	8mm	SPM-8-8
		12mm	SPM-8-12
		16mm	SPM-8-16
5.01-6.00mm	10mm	10mm	SPM-10-10
		16mm	SPM-10-16
		20mm	SPM-10-20
6.01-8.00mm	12mm	10mm	SPM-12-10
		16mm	SPM-12-16
		20mm	SPM-12-20
8.01-10.00mm	15mm	12mm	SPM-15-12
		20mm	SPM-15-20
		25mm	SPM-15-25
10.01-12.00mm	18mm	12mm	SPM-18-12
		20mm	SPM-18-20
		25mm	SPM-18-25
12.01-15.00mm	22mm	16mm	SPM-22-16
		28mm	SPM-22-28
		36mm	SPM-22-36
15.01-18.00mm	26mm	16mm	SPM-26-16
		28mm	SPM-26-28
		36mm	SPM-26-36



PROBLEM:

"We are an aerospace prototype shop making the transition from prototype to production on an important UAV project. We've developed elaborate fixturing of all shapes and sizes. We found ourselves leaving our trim fixtures set up on a large gantry style table and then having to tear everything down when a large part came along to make way for it.

This tied up one of our most valuable spindles, and dust collection was nearly impossible. Change over and setup times were totally out of control."



Machine Operator Tyler Vaughn, of the Flying S, places a carbon trim fixture. The Carr Lock receiver bushings allow for fixtures in various configurations.

SOLUTION:

"I discovered that I could combine 80% of our trim fixtures into just one fixture plate using just two Carr Lock pins, with excellent locating ability and much better clamping than before.

Our setup times have gone from an average of about 25 minutes to literally 30 seconds, thus saving us hundreds of hours."

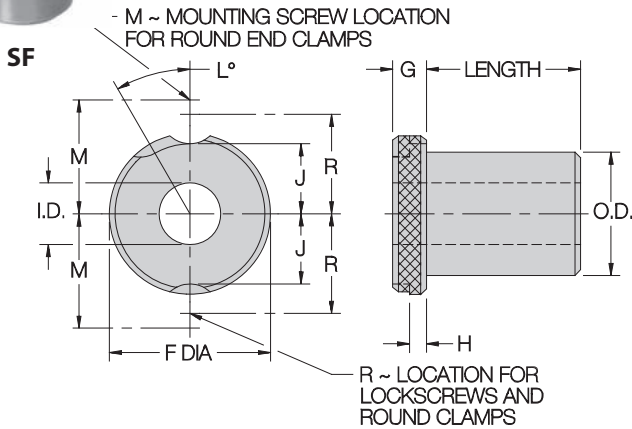
Peter Bowman
Production Manager/Mfg Engineer
Flying S Inc.

Exclusively
Made in the
USA

www.carrlane.com/carrlock

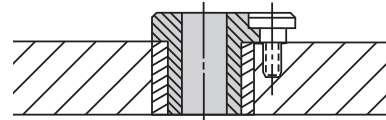
See Pages 358-372

SLIP/FIXED RENEWABLE BUSHINGS



APPLICATIONS:

Replaceable bushing generally used with a liner bushing and lock screw. Use when you expect to replace bushings during the tooling's lifetime, or when you want to switch bushings to perform multi-step operations with the same tooling. SF bushings combine the benefits of older S-type slip-renewable and F-type fixed-renewable bushings: One side has a small recess for fixed mounting; the other has a locking recess that allows the bushing to slip down, then lock in place by rotating it. S and F types are now obsolete and combination SF bushings will be furnished at no extra charge.



ORDERING EXAMPLES:

- SF-20-16-.1250 Standard inch bushing, inch ID
- SF-20-16-.1772 Standard inch bushing, mm ID (.1772 = 4.50mm)
- SF-20-16-.1250 REAMER Reamer tolerance on ID
- SF-20-16-.1250 NCB No counterbore on long bushings marked with * (no counterbore is standard on all other bushings)
- SFC-20-16-.1250 Carbide bushing
- SFM-8-16-4.50 Standard metric bushing

Standard prices apply only to bushings with a standard-drill-size ID within the stated ID range. See catalog back cover for standard drill sizes and their decimal equivalents. For prices on non-standard ID sizes, including reamer-tolerance and tap-guide bushings, please contact factory.

STANDARD ID TOLERANCES:

From #80 to 1/4"	+0.001/+0.0004	From .35 to 3mm	+0.002/+0.008mm
Over 1/4 to 3/4"	+0.001/+0.0005	Over 3 to 6mm	+0.004/+0.012mm
Over 3/4 to 1-1/2"	+0.002/+0.0006	Over 6 to 10mm	+0.005/+0.014mm
Over 1-1/2 to 2-3/4"	+0.003/+0.0007	Over 10 to 18mm	+0.006/+0.017mm
		Over 18 to 30mm	+0.007/+0.020mm
		Over 30 to 50mm	+0.009/+0.025mm
		Over 50 to 80mm	+0.010/+0.029mm
		Over 80 to 120mm	+0.012/+0.034mm
			(G6 tolerance)

REAMER ID TOLERANCES:

From #60 to 1/4"	+0.0005/+0.0008	From 1 to 3mm	+0.006/+0.012mm
Over 1/4 to 1"	+0.0006/+0.0010	Over 3 to 6mm	+0.010/+0.018mm
Over 1 to 1-1/2"	+0.0008/+0.0012	Over 6 to 10mm	+0.013/+0.022mm
		Over 10 to 18mm	+0.016/+0.027mm
		Over 18 to 30mm	+0.020/+0.033mm
			(F6 tolerance)

INCH

BODY OD	F DIA	G	H	J	L	M	R	LOCK SCREW
3/16	5/16	3/16	3/32	3/32	55°		17/64	LS-0
1/4	7/16	1/4	1/8	9/64	30°		23/64	TW-2
5/16	35/64			11/64	65°	5/8	1/2	LS-1
3/8	5/8			15/64	30°		29/64	TW-2
7/16	5/8			15/64	30°		29/64	TW-2
1/2	51/64			19/64	65°	3/4	5/8	LS-1
9/16	7/8			23/64	65°		37/64	TW-2
5/8	7/8			23/64	30°		37/64	TW-2
3/4	1-3/64			27/64	50°	7/8	3/4	LS-1
7/8	1-1/4			31/64	30°		53/64	TW-7
1	1-27/64			19/32	35°	1-7/64	59/64	
1-1/4	1-5/8	3/8	3/16	43/64	30°		1-1/64	LS-2
1-3/8	1-51/64			25/32	30°	1-19/64	1-7/64	
1-1/2	1-7/8			51/64	30°		1-9/64	
1-3/4	2-19/64			1	30°	1-41/64	1-25/64	
2-1/4	2-51/64	3/8	3/16	1-1/4	25°	1-57/64	1-41/64	LS-3

METRIC


8mm	15mm	6mm	3mm	4.5mm	65°		11.5mm	LSM-1			
10mm	18mm	8mm	4mm	6mm	65°		13mm	LSM-2			
12mm	22mm			7.5mm	60°		16mm	LSM-3			
15mm	26mm			9.5mm	50°		18mm				
18mm	30mm			11.5mm	50°		20mm	LSM-4			
22mm	34mm	10mm	5.5mm	13mm	35°		23.5mm	LSM-5			
26mm	39mm			15.5mm	35°		26mm				
30mm	46mm			19mm	30°		29.5mm		LSM-6		
35mm	52mm			22mm	30°		32.5mm				
42mm	59mm			25.5mm	30°		36mm				
48mm	66mm			12mm	7mm	28.5mm	30°			41mm	LSM-7
55mm	74mm					32.5mm	25°			45mm	
62mm	82mm					36.5mm	25°			49mm	
70mm	90mm	40.5mm	25°				53mm				
78mm	100mm	45.5mm	25°				58mm	LSM-8			
85mm	110mm	50.5mm	20°				63mm				
95mm	120mm	55.5mm	20°				68mm				
105mm	130mm	60.5mm	20°				73mm				

SLIP/FIXED RENEWABLE BUSHINGS

ID RANGE	OD	LENGTH	ANSI PART NO.	LOCK SCREW
.0135-.0291 #80-#70 .35-.70mm	3/16 .1875-.1873	*1/4	SF-12-4	LS-0
		*5/16	SF-12-5	
		*3/8	SF-12-6	
		*1/2	SF-12-8	
		*5/8	SF-12-10	
.0292-.0519 #69-3/64 .75-1.25mm		*3/4	SF-12-12	
		1/4	SF-12-4	
		*5/16	SF-12-5	
		*3/8	SF-12-6	
		*1/2	SF-12-8	
.0520-.0634 #55-1/16 1.30-1.60mm		*5/8	SF-12-10	
		*3/4	SF-12-12	
		1/4	SF-12-4	
		*5/16	SF-12-5	
		*3/8	SF-12-6	
.0635-.0980 #52-#40 1.65-2.50mm	*1/2	SF-12-8		
	*5/8	SF-12-10		
	*3/4	SF-12-12		
	1/4	SF-12-4		
	*5/16	SF-12-5		
.0995-.1405 #39-#28 2.55-3.50mm	*3/8	SF-12-6		
	*1/2	SF-12-8		
	*5/8	SF-12-10		
	*3/4	SF-12-12		
	1/4	SF-16-4		
	1/4 .2500-.2498	5/16	SF-16-5	TW-2
		*3/8	SF-16-6	
		*1/2	SF-16-8	
		*5/8	SF-16-10	
		*3/4	SF-16-12	

ID RANGE	OD	LENGTH	ANSI PART NO.	LOCK SCREW
.0135-.0291 #80-#70 .35-.70mm	5/16 .3125-.3123	*1/4	SF-20-4	LS-1 RC-01 RK-01 RK-10
		*5/16	SF-20-5	
		*3/8	SF-20-6	
		*1/2	SF-20-8	
		*3/4	SF-20-12	
.0292-.0519 #69-3/64 .75-1.30mm		*5/16	SF-20-5	
		*3/8	SF-20-6	
		*1/2	SF-20-8	
		*3/4	SF-20-12	
		*5/16	SF-20-5	
.0520-.0634 #55-1/16 1.35-1.60mm		*3/8	SF-20-6	
		*1/2	SF-20-8	
		*3/4	SF-20-12	
		5/16	SF-20-5	
		*3/8	SF-20-6	
.0635-.0934 #52-#43 1.65-2.35mm	*1/2	SF-20-8		
	*3/4	SF-20-12		
	*1	SF-20-16		
	5/16	SF-20-5		
	3/8	SF-20-6		
.0935-.1249 #42-#31 2.40-3.15mm	*1/2	SF-20-8		
	*3/4	SF-20-12		
	*1	SF-20-16		
	*1-3/8	SF-20-22		
	5/16	SF-20-5		
.1250-.1935 1/8-#10 3.20-4.90mm	3/8	SF-20-6		
	1/2	SF-20-8		
	5/8	SF-20-10		
	*3/4	SF-20-12		
	*1	SF-20-16		
.1935-.2280 #10-#1 4.90-5.80mm	*1-3/8	SF-20-22		
	1/4	SF-24-4		
	5/16	SF-24-5		
	3/8	SF-24-6		
	1/2	SF-24-8		
.2340-.2900 A-L 5.90-7.40mm	5/8	SF-24-10		
	3/4	SF-24-12		
	*1	SF-24-16		
	1/4	SF-28-4		
	5/16	SF-28-5		
	7/16 .4375-.4373	3/8	SF-28-6	TW-2
		1/2	SF-28-8	
		5/8	SF-28-10	
		3/4	SF-28-12	
		*1	SF-28-16	

Our Best Resource



Your Local Distributor

With more than 300 local distributors
it's easy to find one near you!

ISO 9001
CERTIFIED

Find a Distributor in the Customer Service Area
At CarrLane.com

* **INFO+**: Counterbored, leaving correct drill-bearing length and clearance (see page 537 for bearing length).

CONTINUED ON NEXT PAGE

SLIP/FIXED RENEWABLE BUSHINGS

ID RANGE	OD	LENGTH	ANSI PART NO.	LOCK SCREW	
.1405-.1889 #28-3/16 3.60-4.75mm	1/2 .5000-.4998	5/16	SF-32-5	LS-1 RC-01 RK-01 RK-10	
		3/8	SF-32-6		
		1/2	SF-32-8		
		*3/4	SF-32-12		
		*1	SF-32-16		
		*1-3/8	SF-32-22		
		*1-1/2	SF-32-24		
		*1-3/4	SF-32-28		
		5/16	SF-32-5		
		3/8	SF-32-6		
.1890-.3438 #12-11/32 4.80-8.70mm	1/2 .5000-.4998	1/2	SF-32-8	LS-1 RC-01 RK-01 RK-10	
		3/4	SF-32-12		
		*1	SF-32-16		
		*1-3/8	SF-32-22		
		*1-1/2	SF-32-24		
		*1-3/4	SF-32-28		
		*2-1/8	SF-32-34		
		1/4	SF-36-4		TW-2
		5/16	SF-36-5		
		3/8	SF-36-6		
1/2	SF-36-8				
5/8	SF-36-10				
3/4	SF-36-12				
1	SF-36-16				
.3480-.4375 S-7/16 8.90-11.00mm	5/8 .6250-.6248	3/8	SF-40-6	TW-2	
		1/2	SF-40-8		
		5/8	SF-40-10		
		3/4	SF-40-12		
		1	SF-40-16		
		1-1/4	SF-40-20		
.2812-.5625 9/32-9/16 7.20-14.00mm	3/4 .7500-.7498	3/8	SF-48-6	LS-1 RC-01 RK-01 RK-11	
		1/2	SF-48-8		
		3/4	SF-48-12		
		1	SF-48-16		
		1-3/8	SF-48-22		
		1-1/2	SF-48-24		
		1-3/4	SF-48-28		
		2-1/8	SF-48-34		
		*2-1/2	SF-48-40		
		*3	SF-48-48		
.5469-.6562 35/64-21/32 13.50-16.50mm	7/8 .8750-.8748	1/2	SF-56-8	TW-7	
		5/8	SF-56-10		
		3/4	SF-56-12		
		1	SF-56-16		
		1-1/4	SF-56-20		
		1-1/2	SF-56-24		
.4688-.7812 15/32-25/32 12.00-19.50mm	1 1.0000-.9998	1/2	SF-64-8	LS-2 RC-02 RK-02 RK-12	
		3/4	SF-64-12		
		1	SF-64-16		
		1-3/8	SF-64-22		
		1-1/2	SF-64-24		
		1-3/4	SF-64-28		
		2-1/8	SF-64-34		
		2-1/2	SF-64-40		
		3	SF-64-48		

* **INFO+**: Counterbored, leaving correct drill-bearing length and clearance (see page 537 for bearing length).

ID RANGE	OD	LENGTH	ANSI PART NO.	LOCK SCREW
.7188-1.0625 23/32-1-1/16 18.50-27.00mm	1-3/8 1.3750-1.3747	3/4	SF-88-12	LS-2 RC-02 RK-02 RK-12
		1	SF-88-16	
		1-3/8	SF-88-22	
		1-1/2	SF-88-24	
		1-3/4	SF-88-28	
		2-1/8	SF-88-34	
		2-1/2	SF-88-40	
		3	SF-88-48	
.9688-1.4062 31/32-1-13/32 25.00-35.00mm	1-3/4 1.7500-1.7497	3/4	SF-112-12	LS-3 RC-03 RK-03 RK-14
		1	SF-112-16	
		1-3/8	SF-112-22	
		1-1/2	SF-112-24	
		1-3/4	SF-112-28	
		2-1/8	SF-112-34	
		2-1/2	SF-112-40	
		3	SF-112-48	
1.3438-1.8750 1-11/32-1-7/8 35.00-47.00mm	2-1/4 2.2500-2.2496	3/4	SF-144-12	LS-3 RC-03 RK-03 RK-14
		1	SF-144-16	
		1-3/8	SF-144-22	
		1-1/2	SF-144-24	
		1-3/4	SF-144-28	
		2-1/8	SF-144-34	
		2-1/2	SF-144-40	
		3	SF-144-48	

For extended-range bushings (larger sizes) please see our web catalog.

Alignment Pins

Strength and Precision



Ball Lock Pins
(L, T, button or Ring
Handles)



Detent Pins

- Wide assortment of quality ball lock and detent pins for precision alignment
- In steel or stainless steel
- A wide selection of other alignment pins are available

See Pages 27-65

SLIP/FIXED RENEWABLE BUSHINGS – CARBIDE



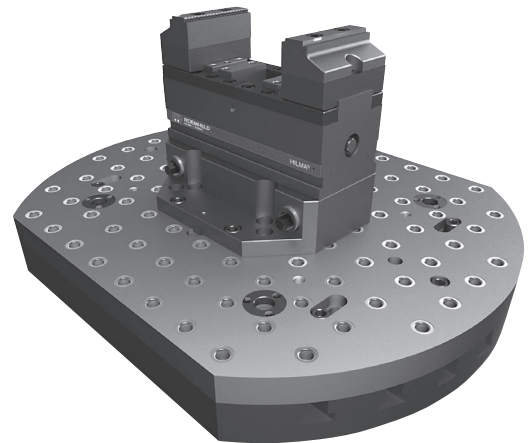
SFC

ID RANGE	OD	LENGTH	ANSI PART NO.	LOCK SCREW		
.0520-.0934 #55-#43 1.35-2.35mm	5/16 .3125-.3123	5/16	SFC-20-5	LS-1 RC-01 RK-01 RK-10		
		1/2	SFC-20-8			
		3/4	SFC-20-12			
		1	SFC-20-16			
.0935-.1562 #42-5/32 2.40-3.90mm		5/16	SFC-20-5			
		1/2	SFC-20-8			
		3/4	SFC-20-12			
		1	SFC-20-16			
.1406-.1889 9/64-3/16 3.60-4.75mm	1/2 .5000-.4998	5/16	SFC-32-5	LS-1 RC-01 RK-01 RK-10		
		1/2	SFC-32-8			
		3/4	SFC-32-12			
		1	SFC-32-16			
.1890-.3438 #12-11/32 4.80-8.70mm		1-3/8	SFC-32-22			
		5/16	SFC-32-5			
		1/2	SFC-32-8			
		3/4	SFC-32-12			
.2812-.5312 9/32-17/32 7.20-13.00mm	3/4 .7500-.7498	1	SFC-32-16	LS-1 RC-01 RK-01 RK-10		
		1-3/8	SFC-32-22			
		1/2	SFC-48-8			
		3/4	SFC-48-12			
.4688-.7812 15/32-25/32 12.00-19.50mm		1 1.0000-.9998	1		SFC-48-16	LS-2 RC-02 RK-02 RK-12
			1-3/8		SFC-48-22	
			1/2		SFC-64-8	
			3/4		SFC-64-12	
.7188-1.0312 23/32 - 1-1/32 18.50-27.00mm	1-3/8 1.3750-1.3747		1	SFC-64-16	LS-2 RC-02 RK-02 RK-12	
			1-3/8	SFC-64-22		
			1-3/4	SFC-64-28		
			3/4	SFC-88-12		
.9688-1.4062 31/32 - 1-13/32 25.00-35.00mm		1-3/4 1.7500-1.7497	1	SFC-88-16		LS-3 RC-03 RK-03 RK-14
			1-3/8	SFC-88-22		
			1-3/4	SFC-88-28		
			2-1/8	SFC-88-34		
1.3438-1.7812 1-11/32 - 1-25/32 35.00-45.00mm	2-1/4 2.2500-2.2496		2-1/2	SFC-88-40	LS-3 RC-03 RK-03 RK-14	
			1	SFC-112-16		
			1-3/8	SFC-112-22		
			1-3/4	SFC-112-28		
			2-1/8	SFC-112-34		
			2-1/2	SFC-112-40		
			3	SFC-112-48		
			1	SFC-144-16		
			1-3/8	SFC-144-22		
			1-3/4	SFC-144-28		
			2-1/8	SFC-144-34		
			2-1/2	SFC-144-40		
			3	SFC-144-48		

Note: Due to manufacturing requirements, head dimensions of some carbide bushings may differ slightly from ANSI standards. Most carbide bushings have steel heads.



Quick-Change With No Adaptor Plates, Blocks Or Pallets Necessary



- Quintus fixture plates available as blank, or with multi-function holes
- German-built, extremely accurate precision vises
- Allows unrestricted tool access for multiple-side machining
- Numerous jaw types and sizes available

See Pages 373-394

SLIP/FIXED RENEWABLE BUSHINGS – METRIC



SFM

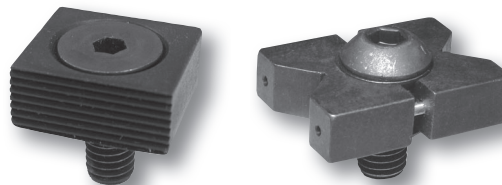
ID RANGE	OD	LENGTH	ANSI PART NO.	LOCK SCREW
.35-1.00mm	8mm 8.000-7.994mm	*10mm	SFM-8-10	LSM-1 LSM-2 RCM-1 RCM-2
		*16mm	SFM-8-16	
10mm		SFM-8-10		
16mm		SFM-8-16		
10mm		SFM-8-10		
16mm		SFM-8-16		
1.01-1.80mm				
1.81-4.00mm				
4.01-6.00mm	10mm 10.000-9.994mm	12mm	SFM-10-12	LSM-3 LSM-4 RCM-3 RCM-4
		20mm	SFM-10-20	
		25mm	SFM-10-25	
6.01-8.00mm	12mm 12.000-11.992mm	12mm	SFM-12-12	LSM-5 LSM-6 RCM-5 RCM-6
		20mm	SFM-12-20	
		25mm	SFM-12-25	
8.01-10.00mm	15mm 15.000-14.992mm	16mm	SFM-15-16	LSM-7 LSM-8 RCM-7 RCM-8
		28mm	SFM-15-28	
		36mm	SFM-15-36	
10.01-12.00mm	18mm 18.000-17.992mm	16mm	SFM-18-16	LSM-7 LSM-8 RCM-7 RCM-8
		28mm	SFM-18-28	
		36mm	SFM-18-36	
12.01-15.00mm	22mm 22.000-21.991mm	20mm	SFM-22-20	LSM-7 LSM-8 RCM-7 RCM-8
		36mm	SFM-22-36	
		45mm	SFM-22-45	
15.01-18.00mm	26mm 26.000-25.991mm	20mm	SFM-26-20	LSM-7 LSM-8 RCM-7 RCM-8
		36mm	SFM-26-36	
		45mm	SFM-26-45	
18.01-22.00mm	30mm 30.000-29.991mm	25mm	SFM-30-25	LSM-7 LSM-8 RCM-7 RCM-8
		45mm	SFM-30-45	
		56mm	SFM-30-56	
22.01-26.00mm	35mm 35.000-34.989mm	25mm	SFM-35-25	LSM-7 LSM-8 RCM-7 RCM-8
		45mm	SFM-35-45	
		56mm	SFM-35-56	
26.01-30.00mm	42mm 42.000-41.989mm	30mm	SFM-42-30	LSM-7 LSM-8 RCM-7 RCM-8
		56mm	SFM-42-56	
		67mm	SFM-42-67	
30.01-35.00mm	48mm 48.000-47.989mm	30mm	SFM-48-30	LSM-7 LSM-8 RCM-7 RCM-8
		56mm	SFM-48-56	
		67mm	SFM-48-67	
35.01-42.00mm	55mm 55.000-54.987mm	30mm	SFM-55-30	LSM-7 LSM-8 RCM-7 RCM-8
		56mm	SFM-55-56	
		67mm	SFM-55-67	
42.01-48.00mm	62mm 62.000-61.987mm	35mm	SFM-62-35	LSM-7 LSM-8 RCM-7 RCM-8
		67mm	SFM-62-67	
		78mm	SFM-62-78	

ID RANGE (G6)	OD (h5)	LENGTH	ANSI PART NO.	LOCK SCREW
48.01-55.00mm	70mm 70.000-69.987mm	35mm	SFM-70-35	LSM-7 LSM-8 RCM-7 RCM-8
		67mm	SFM-70-67	
		78mm	SFM-70-78	
55.01-62.00mm	78mm 78.000-77.987mm	40mm	SFM-78-40	LSM-7 LSM-8 RCM-7 RCM-8
		78mm	SFM-78-78	
		105mm	SFM-78-105	
62.01-70.00mm	85mm 85.000-84.985mm	40mm	SFM-85-40	LSM-7 LSM-8 RCM-7 RCM-8
		78mm	SFM-85-78	
		105mm	SFM-85-105	
70.01-78.00mm	95mm 95.000-94.985mm	45mm	SFM-95-45	LSM-7 LSM-8 RCM-7 RCM-8
		89mm	SFM-95-89	
		112mm	SFM-95-112	
78.01-85.00mm	105mm 105.000-104.985mm	45mm	SFM-105-45	LSM-7 LSM-8 RCM-7 RCM-8
		89mm	SFM-105-89	
		112mm	SFM-105-112	

* Small metric drill sizes through .80mm are counterbored 1.00mm diameter, with 3mm drill-bearing length.

TINY VISE® Edge Clamps

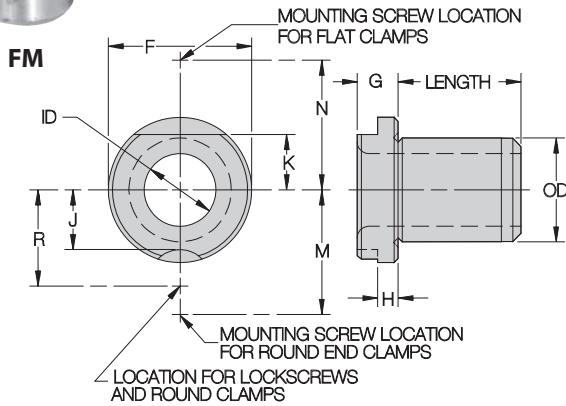
**Strong Clamping Action
For Fixturing Small Parts**



- Patented Tiny Vise® edge clamps grip the side of the workpiece to keep the top clear for machining
- Clamping force is applied by positive screw action with the easy turn of a hex wrench
- Only Tiny Vise® Edge Clamps truly exert down thrust force on the workpiece, to prevent it from lifting
- Four types in a wide range of sizes from #8-32 thread to 1"-8 thread with 2,500 lbs. clamping force
- Patented, more durable than similar clamps

See Pages 282-290

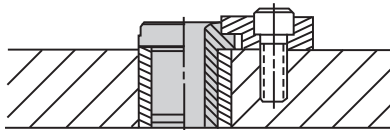
FLAT MILLED RENEWABLE BUSHINGS



BODY OD	F	G	H	J	K	M	N	R	FLAT CLAMP	LOCK SCREW
5/16	35/64			11/64	11/64	5/8	11/16	1/2		
1/2	51/64	1/4	1/8	19/64	17/64	3/4	25/32	5/8	FC-01	LS-1
3/4	1-3/64			27/64	25/64	7/8	57/64	3/4	FC-10	
1	1-27/64	3/8	3/16	19/32	1/2	1-7/64	1-9/64	59/64	FC-02	LS-2
1-3/8	1-51/64			25/32	11/16	1-19/54	1-21/64	1-7/64	FC-12	
1-3/4	2-19/64	3/8	3/16	1	7/8	1-41/64	1-33/64	1-25/64	FC-03	LS-3
2-1/4	2-51/64			1-1/4	1-1/8	1-57/64	1-49/64	1-41/64	FC-14	
									FC-15	

APPLICATIONS:

Replaceable bushing used for extra resistance to rotational forces under harsh conditions. This bushing, generally used with a liner, has a milled locking flat to allow fastening securely with a flat clamp. FM bushings also have a standard recess on the other side to allow using a lockscrew instead.



ORDERING EXAMPLES:

FM-20-16-.1250 Standard inch Bushing, inch ID
 FM-20-16-.1772 Standard inch Bushing, mm ID (.1772 = 4.50mm)

FM-20-16-.1250 REAMER Reamer Tolerance on ID
 FM-20-16-.1250 NCB No counterbore on long bushings marked with * (no counterbore is standard on all other bushings)

FMC-20-16-.1250 Carbide Bushing

Standard prices apply only to bushings with a standard-drill-size ID within the stated ID range. See catalog back cover for standard drill sizes and their decimal equivalents. For prices on non-standard ID sizes, including reamer-tolerance and tap-guide bushings, please contact factory.

STANDARD ID TOLERANCES:

From #80 to 1/4"	+0.001/+0.004	From .35 to 3mm	+0.002/+0.008mm
Over 1/4 to 3/4"	+0.001/+0.005	Over 3 to 6mm	+0.004/+0.012mm
Over 3/4 to 1-1/2"	+0.002/+0.006	Over 6 to 10mm	+0.005/+0.014mm
Over 1-1/2 to 2-3/4"	+0.003/+0.007	Over 10 to 18mm	+0.006/+0.017mm
		Over 18 to 30mm	+0.007/+0.020mm
		Over 30 to 50mm	+0.009/+0.025mm (G6 tolerance)

REAMER ID TOLERANCES:

From #60 to 1/4"	+0.005/+0.008	From 1 to 3mm	+0.006/+0.012mm
Over 1/4 to 1"	+0.006/+0.010	Over 3 to 6mm	+0.010/+0.018mm
Over 1" to 1-1/2"	+0.008/+0.012	Over 6 to 10mm	+0.013/+0.022mm
		Over 10 to 18mm	+0.016/+0.027mm
		Over 18 to 30mm	+0.020/+0.033mm (F6 tolerance)

ID RANGE	OD	LENGTH	ANSI PART NO.	CLAMP	
.0135-.0291 #80-#70 .35-.70mm	5/16 .3125-.3123	*1/4	FM-20-4	FC-01 FC-10 LS-1 RC-01 RK-01 RK-10	
		*5/16	FM-20-5		
		*3/8	FM-20-6		
		*1/2	FM-20-8		
		*3/4	FM-20-12		
*5/16		FM-20-5			
.0292-.0519 #69-3/64 .75-1.30mm		*3/8	FM-20-6		
		*1/2	FM-20-8		
		*3/4	FM-20-12		
		.0520-.0634 #55-1/16 1.35-1.60mm	*5/16		FM-20-5
			*3/8		FM-20-6
*1/2			FM-20-8		
*3/4			FM-20-12		
.0635-.0934 #52-#43 1.65-2.35mm			5/16		FM-20-5
		*3/8	FM-20-6		
	*1/2	FM-20-8			
	*3/4	FM-20-12			
	*1	FM-20-16			
.0935-.1249 #42-#31 2.40-3.15mm	5/16	FM-20-5			
	3/8	FM-20-6			
	*1/2	FM-20-8			
	*3/4	FM-20-12			
	*1	FM-20-16			
.1250-.1935 1/8-#10 3.20-4.90mm	*1-3/8	FM-20-22			
	5/16	FM-20-5			
	3/8	FM-20-6			
	1/2	FM-20-8			
	5/8	FM-20-10			
		*3/4	FM-20-12		
		*1	FM-20-16		
		*1-3/8	FM-20-22		

* **INFO+:** Counterbored, leaving correct drill-bearing length and clearance (see page 537 for bearing length).

CONTINUED ON NEXT PAGE

FLAT MILLED RENEWABLE BUSHINGS

ID RANGE	OD	LENGTH	ANSI PART NO.	CLAMP	
.1405-.1889 #28-3/16 3.60-4.75mm	1/2 .5000-.4998	5/16	FM-32-5	FC-01 FC-10 LS-1 RC-01 RK-01 RK-10	
		3/8	FM-32-6		
		1/2	FM-32-8		
		*3/4	FM-32-12		
		*1	FM-32-16		
		*1-3/8	FM-32-22		
		*1-1/2	FM-32-24		
		*1-3/4	FM-32-28		
		5/16	FM-32-5		
		3/8	FM-32-6		
.1890-.3438 #12-11/32 4.80-8.70mm	1/2 .5000-.4998	1/2	FM-32-8	FC-01 FC-10 LS-1 RC-01 RK-01 RK-10	
		3/4	FM-32-12		
		*1	FM-32-16		
		*1-3/8	FM-32-22		
		*1-1/2	FM-32-24		
		*1-3/4	FM-32-28		
		*2-1/8	FM-32-34		
		3/8	FM-48-6		FC-01 FC-11 LS-1 RC-01 RK-01 RK-11
		1/2	FM-48-8		
		3/4	FM-48-12		
1	FM-48-16				
1-3/8	FM-48-22				
1-1/2	FM-48-24				
1-3/4	FM-48-28				
2-1/8	FM-48-34				
*2-1/2	FM-48-40				
*3	FM-48-48				
.2812-.5625 9/32-9/16 7.20-14.00mm	3/4 .7500-.7498	1/2	FM-64-8	FC-02 FC-12 LS-2 RC-02 RK-02 RK-12	
		3/4	FM-64-12		
		1	FM-64-16		
		1-3/8	FM-64-22		
		1-1/2	FM-64-24		
		1-3/4	FM-64-28		
		2-1/8	FM-64-34		
		2-1/2	FM-64-40		
		3	FM-64-48		
		3/4	FM-88-12		FC-02 FC-12 LS-2 RC-02 RK-02 RK-12
1	FM-88-16				
1-3/8	FM-88-22				
1-1/2	FM-88-24				
1-3/4	FM-88-28				
2-1/8	FM-88-34				
2-1/2	FM-88-40				
3	FM-88-48				
.4688-.7812 15/32-25/32 12.00-19.50mm	1 1.0000-.9998	1/2	FM-64-8	FC-02 FC-12 LS-2 RC-02 RK-02 RK-12	
		3/4	FM-64-12		
		1	FM-64-16		
		1-3/8	FM-64-22		
		1-1/2	FM-64-24		
		1-3/4	FM-64-28		
		2-1/8	FM-64-34		
		2-1/2	FM-64-40		
		3	FM-64-48		
		.7188-1.0625 23/32 - 1-1/16 18.50-27.00mm	1-3/8 1.3750-1.3747		3/4
1	FM-88-16				
1-3/8	FM-88-22				
1-1/2	FM-88-24				
1-3/4	FM-88-28				
2-1/8	FM-88-34				
2-1/2	FM-88-40				
3	FM-88-48				

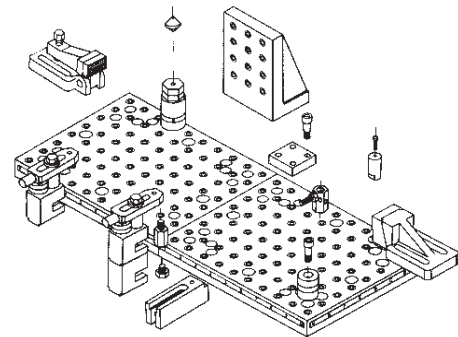
* **INFO+**: Counterbored, leaving correct drill-bearing length and clearance (see page 551 for bearing length).

ID RANGE	OD	LENGTH	ANSI PART NO.	CLAMP			
.9688-1.4062 31/32 - 1-13/32 25.00-35.00mm	1-3/4 1.7500-1.7497	3/4	FM-112-12	FC-03 FC-14 FC-15 LS-3 RC-03 RK-03 RK-14			
		1	FM-112-16				
		1-3/8	FM-112-22				
		1-1/2	FM-112-24				
		1-3/4	FM-112-28				
		2-1/8	FM-112-34				
		2-1/2	FM-112-40				
		3	FM-112-48				
		1.3438-1.8750 1-11/32 - 1-7/8 35.00-47.00mm	2-1/4 2.2500-2.2496		3/4	FM-144-12	FC-03 FC-14 FC-15 LS-3 RC-03 RK-03 RK-14
					1	FM-144-16	
1-3/8	FM-144-22						
1-1/2	FM-144-24						
1-3/4	FM-144-28						
2-1/8	FM-144-34						
2-1/2	FM-144-40						
3	FM-144-48						

For extended-range bushings (larger sizes) please see our web catalog.

Modular Fixturing

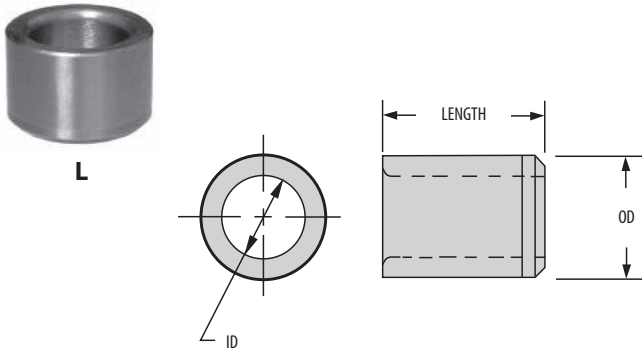
An Ideal Answer To Many Workholding Problems



- Great for temporary fixturing: one-time jobs, short or prototype production runs, trial fixturing or while permanent fixtures are built or repaired
- Available in mini, standard and heavy sizes
- Wide range of tooling plates and blocks, finish ground, with multipurpose positioning holes
- Order as components, or in handy starter sets

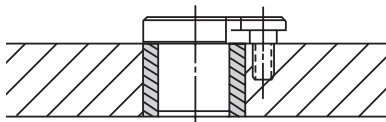
See Pages 415-450

LINER BUSHINGS



APPLICATIONS:

Liners are permanent bushings used to hold renewable drill bushings. The liner's ID has a precise sliding fit with the renewable bushing's OD. The hardened liner accurately locates the renewable bushing and protects the jig plate from wear caused by frequent bushing replacement. Note: Metric liner bushings are the same as metric press-fit bushings.



ORDERING EXAMPLES:

L-32-16 Standard inch liner bushing
 L-32-16U Unground OD
 L-40-16-24 Standard inch liner bushing with a choice of ID in that OD size
 PM-18-25-12.00 Standard metric liner bushing (same as metric press-fit type)

STANDARD LINER ID TOLERANCES:

3/16 to 3/8"	+0.001/+0.004	8 to 10mm	+0.005/+0.014mm
7/16 to 5/8"	+0.002/+0.005	12 to 18mm	+0.006/+0.017mm
3/4"	+0.003/+0.006	22 to 30mm	+0.007/+0.020mm
7/8 to 1"	+0.004/+0.007	35 to 48mm	+0.009/+0.025mm
1-3/8"	+0.006/+0.010	55 to 78mm	+0.010/+0.029mm
1-3/4"	+0.008/+0.012	85 to 105mm	+0.012/+0.034mm
2-1/4"	+0.010/+0.015		(G6 tolerance)

ID	OD	LENGTH	ANSI PART NO.
3/16	5/16 .3141-.3138 (.327-.322 UNG)	1/4	L-20-4
		5/16	L-20-5
		3/8	L-20-6
		1/2	L-20-8
		5/8	L-20-10
		3/4	L-20-12
		1/4	L-28-4
1/4	7/16 .4392-.4389 (.453-.448 UNG)	5/16	L-28-5
		3/8	L-28-6
		1/2	L-28-8
		5/8	L-28-10
		3/4	L-28-12

ID	OD	LENGTH	ANSI PART NO.		
5/16	1/2 .5017-.5014 (.520-.515 UNG)	1/4	L-32-4		
		5/16	L-32-5		
		3/8	L-32-6		
		1/2	L-32-8		
		5/8	L-32-10		
		3/4	L-32-12		
		1	L-32-16		
	1-3/8	L-32-22			
	1/4	L-36-4			
	5/16	L-36-5			
	3/8	L-36-6			
	1/2	L-36-8			
	5/8	L-36-10			
	3/4	L-36-12			
1	L-36-16				
3/8	5/8 .6267-.6264 (.645-.640 UNG)	1/4	L-40-4-24		
		5/16	L-40-5-24		
		3/8	L-40-6-24		
		1/2	L-40-8-24		
		5/8	L-40-10-24		
		3/4	L-40-12-24		
		1	L-40-16-24		
1/4		L-40-4-28			
5/16		L-40-5-28			
3/8		L-40-6-28			
1/2		L-40-8-28			
5/8		L-40-10-28			
3/4		L-40-12-28			
1		L-40-16-28			
7/16	3/4 .7518-.7515 (.770-.765 UNG)	5/16	L-48-5		
		3/8	L-48-6		
		1/2	L-48-8		
		3/4	L-48-12		
		1	L-48-16		
		1-3/8	L-48-22		
		1-1/2	L-48-24		
		1-3/4	L-48-28		
		2-1/8	L-48-34		
		5/16	L-56-5-36		
3/8	L-56-6-36				
1/2	L-56-8-36				
5/8	L-56-10-36				
3/4	L-56-12-36				
1	L-56-16-36				
1-1/4	L-56-20-36				
9/16	7/8 .8768-.8765 (.895-.890 UNG)	5/16	L-56-5-40		
		3/8	L-56-6-40		
		1/2	L-56-8-40		
		5/8	L-56-10-40		
		3/4	L-56-12-40		
		1	L-56-16-40		
		1-1/4	L-56-20-40		
		5/8		5/16	L-56-5-40
				3/8	L-56-6-40
				1/2	L-56-8-40
5/8	L-56-10-40				
3/4	L-56-12-40				
1	L-56-16-40				
1-1/4	L-56-20-40				

CONTINUED ON NEXT PAGE

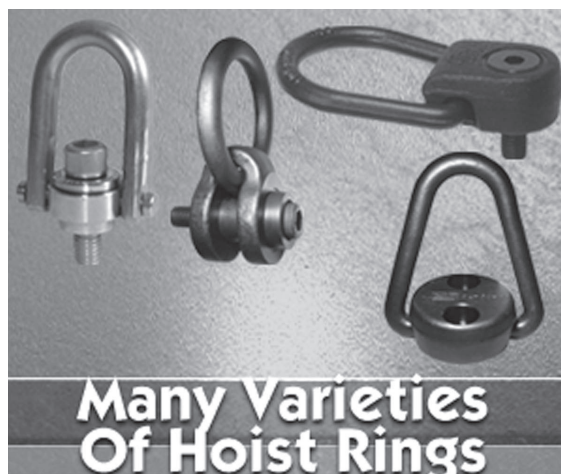
LINER BUSHINGS

ID	OD	LENGTH	ANSI PART NO.
3/4	1 1.0018-1.0015 (1.020-1.015 UNG)	1/2	L-64-8
		3/4	L-64-12
		1	L-64-16
		1-3/8	L-64-22
		1-1/2	L-64-24
		1-3/4	L-64-28
		2-1/8	L-64-34
		2-1/2	L-64-40
7/8	1-1/4 1.2520-1.2517 (1.270-1.265 UNG)	1/2	L-80-8
		5/8	L-80-10
		3/4	L-80-12
		1	L-80-16
		1-1/4	L-80-20
		1-1/2	L-80-24
1	1-3/8 1.3772-1.3768 (1.395-1.390 UNG)	1/2	L-88-8
		3/4	L-88-12
		1	L-88-16
		1-3/8	L-88-22
		1-1/2	L-88-24
		1-3/4	L-88-28
		2-1/8	L-88-34
		2-1/2	L-88-40
1-3/8	1-3/4 1.7523-1.7519 (1.770-1.765 UNG)	3/4	L-112-12
		1	L-112-16
		1-3/8	L-112-22
		1-1/2	L-112-24
		1-3/4	L-112-28
		2-1/8	L-112-34
		2-1/2	L-112-40
		3	L-112-48
1-3/4	2-1/4 2.2525-2.2521 (2.270-2.265 UNG)	3/4	L-144-12
		1	L-144-16
		1-3/8	L-144-22
		1-1/2	L-144-24
		1-3/4	L-144-28
		2-1/8	L-144-34
		2-1/2	L-144-40
		3	L-144-48
2-1/4	2-1/4 2.2525-2.2521 (2.270-2.265 UNG)	3/4	L-176-12
		1	L-176-16
		1-3/8	L-176-22
		1-1/2	L-176-24
		1-3/4	L-176-28
		2-1/8	L-176-34
		2-1/2	L-176-40
		3	L-176-48

For extended-range bushings (larger sizes) please see our web catalog.

Hoist Rings

**Trusted to Move
Your Most Important
Materials!**



**Many Varieties
Of Hoist Rings**

- Swivel Hoist Rings
- Safety Hoist Rings
- Pivoting Hoist Rings
- Lifting Eyes
- Side-Pull Hoist Rings

See Pages 73-92

LINER BUSHINGS – METRIC



PM

ID (G6)	OD (s6)	LENGTH	ANSI PART NO.
8mm	12mm 12.039-12.028mm	10mm	PM-12-10-8.00
		16mm	PM-12-16-8.00
10mm	15mm 15.039-15.028mm	12mm	PM-15-12-10.00
		20mm	PM-15-20-10.00
		25mm	PM-15-25-10.00
12mm	18mm 18.039-18.028mm	12mm	PM-18-12-12.00
		20mm	PM-18-20-12.00
		25mm	PM-18-25-12.00
15mm	22mm 22.048-22.035mm	16mm	PM-22-16-15.00
		28mm	PM-22-28-15.00
		36mm	PM-22-36-15.00
18mm	26mm 26.048-26.035mm	16mm	PM-26-16-18.00
		28mm	PM-26-28-18.00
		36mm	PM-26-36-18.00
22mm	30mm 30.048-30.035mm	20mm	PM-30-20-22.00
		36mm	PM-30-36-22.00
		45mm	PM-30-45-22.00
26mm	35mm 35.059-35.043mm	20mm	PM-35-20-26.00
		36mm	PM-35-36-26.00
		45mm	PM-35-45-26.00
30mm	42mm 42.059-42.043mm	25mm	PM-42-25-30.00
		45mm	PM-42-45-30.00
		56mm	PM-42-56-30.00
35mm	48mm 48.059-48.043mm	25mm	PM-48-25-35.00
		45mm	PM-48-45-35.00
		56mm	PM-48-56-35.00
42mm	55mm 55.072-55.053mm	30mm	PM-55-30-42.00
		56mm	PM-55-56-42.00
		67mm	PM-55-67-42.00
48mm	62mm 62.072-62.053mm	30mm	PM-62-30-48.00
		56mm	PM-62-56-48.00
		67mm	PM-62-67-48.00
55mm	70mm 70.078-70.059mm	30mm	PM-70-30-55.00
		56mm	PM-70-56-55.00
		67mm	PM-70-67-55.00
62mm	78mm 78.078-78.059mm	35mm	PM-78-35-62.00
		67mm	PM-78-67-62.00
		78mm	PM-78-78-62.00

ID (G6)	OD (s6)	LENGTH	ANSI PART NO.
70mm	85mm 85.093-85.071mm	35mm	PM-85-35-70.00
		67mm	PM-85-67-70.00
		78mm	PM-85-78-70.00
78mm	95mm 95.093-95.071mm	40mm	PM-95-40-78.00
		78mm	PM-95-78-78.00
		105mm	PM-95-105-78.00
85mm	105mm 105.101-105.079mm	40mm	PM-105-40-85.00
		78mm	PM-105-78-85.00
		105mm	PM-105-105-85.00
95mm	115mm 115.101-115.079mm	45mm	PM-115-45-95.00
		89mm	PM-115-89-95.00
		112mm	PM-115-112-95.00
105mm	125mm 125.117-125.092mm	45mm	PM-125-45-105.00
		89mm	PM-125-89-105.00
		112mm	PM-125-112-105.00

Note: Metric liner bushings are the same as metric press-fit bushings.

Round & Diamond Locating Pins

Now Available
With LIFE-EX® Coating

Nice shell.



Made from a proprietary PVD coating, **LIFE-EX® Locating Pins are very hard, abrasion resistant, and slippery.**

The result is a component that has a longer lifecycle for high-production applications.

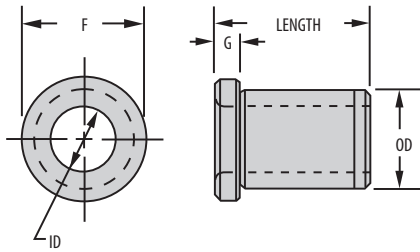
LIFE-EX® Locating Pins from Carr Lane will have you saying, "That's one shell of a coating!"

See Pages 238-239

HEAD LINER BUSHINGS



HL



INCH

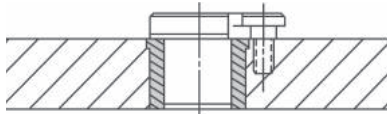
BODY OD	F DIA	G
1/2	5/8	3/32
3/4	7/8	3/32
1	1-1/8	1/8
1-3/8	1-1/2	1/8
1-3/4	1-7/8	3/16
2-1/4	2-3/8	3/16
2-3/4	2-7/8	3/16

METRIC

BODY OD	F DIA	G
12mm	15mm	3mm
15mm	18mm	3mm
18mm	22mm	4mm
22mm	26mm	4mm
26mm	30mm	4mm
30mm	34mm	5mm
35mm	39mm	5mm
42mm	46mm	5mm
48mm	52mm	5mm
55mm	59mm	5mm
62mm	66mm	6mm
70mm	74mm	6mm
78mm	82mm	6mm
85mm	90mm	6mm
95mm	100mm	6mm
105mm	110mm	6mm
115mm	120mm	6mm
125mm	130mm	6mm

APPLICATIONS:

Similar to an L bushing, but with a head to resist heavy axial loads. Head liners are permanent bushings used to hold renewable drill bushings. The head liner's ID has a precise sliding fit with the renewable bushing's OD. The hardened head liner accurately locates the renewable bushing and protects the jig plate from wear caused by frequent bushing replacement. Note: The "length" listed for a head liner refers to its overall length, not its length under the head. Metric head-liner bushings are the same as metric head-press-fit bushings.



ORDERING EXAMPLES:

HL-32-16	Standard inch liner bushing
HL-32-16U	Unground OD
HM-18-25-12.00	Standard metric liner bushing (same as metric press-fit type)

STANDARD LINER ID TOLERANCES:

5/16"	+0.001/+0.004	8 to 10mm	+0.05/+0.014mm
1/2"	+0.002/+0.005	12 to 18mm	+0.06/+0.017mm
3/4"	+0.003/+0.006	22 to 30mm	+0.07/+0.020mm
1"	+0.004/+0.007	35 to 48mm	+0.09/+0.025mm
1-3/8"	+0.006/+0.010	55 to 78mm	+0.10/+0.029mm
1-3/4"	+0.008/+0.012	85 to 105mm	+0.12/+0.034mm
2-1/4"	+0.010/+0.015		(G6 tolerance)

ID RANGE	OD	LENGTH	ANSI PART NO.
5/16	1/2 .5017-.5014 (.520-.515 UNG)	5/16	HL-32-5
		3/8	HL-32-6
		1/2	HL-32-8
		3/4	HL-32-12
		1	HL-32-16
		1-3/8	HL-32-22
1/2	3/4 .7518-.7515 (.770-.765 UNG)	5/16	HL-48-5
		3/8	HL-48-6
		1/2	HL-48-8
		3/4	HL-48-12
		1	HL-48-16
		1-3/8	HL-48-22
3/4	1 1.0018-1.0015 (1.020-1.015 UNG)	1-1/2	HL-48-24
		1-3/4	HL-48-28
		2-1/8	HL-48-34
		1/2	HL-64-8
		3/4	HL-64-12
		1	HL-64-16
1	1-3/8 1.3772-1.3768 (1.395-1.390 UNG)	1-3/8	HL-64-22
		1-1/2	HL-64-24
		1-3/4	HL-64-28
		2-1/8	HL-64-34
		2-1/2	HL-64-40
		3	HL-64-48
1-3/8	1-3/4 1.7523-1.7519 (1.770-1.765 UNG)	1/2	HL-88-8
		3/4	HL-88-12
		1	HL-88-16
		1-3/8	HL-88-22
		1-1/2	HL-88-24
		1-3/4	HL-88-28
1-3/4	2-1/4 2.2525-2.2521 (2.270-2.265 UNG)	2-1/8	HL-88-34
		2-1/2	HL-88-40
		3	HL-88-48
		3/4	HL-112-12
		1	HL-112-16
		1-3/8	HL-112-22
2-1/4	2-3/4 2.7526-2.7522 (2.770-2.765 UNG)	1-1/2	HL-112-24
		1-3/4	HL-112-28
		2-1/8	HL-112-34
		2-1/2	HL-112-40
		3	HL-112-48
		3/4	HL-144-12
2-1/4		1	HL-144-16
		1-3/8	HL-144-22
		1-1/2	HL-144-24
		1-3/4	HL-144-28
		2-1/8	HL-144-34
		2-1/2	HL-144-40
2-1/4		3	HL-144-48
		3/4	HL-176-12
		1	HL-176-16
		1-3/8	HL-176-22
		1-1/2	HL-176-24
		1-3/4	HL-176-28
2-1/4		2-1/8	HL-176-34
		2-1/2	HL-176-40
		3	HL-176-48

HEAD LINER BUSHINGS – METRIC



HM

ID (G6)	OD (s6)	LENGTH	ANSI PART NO.
8mm	12mm 12.039-12.028mm	10mm	HM-12-10-8.00
		16mm	HM-12-16-8.00
		12mm	HM-15-12-10.00
10mm	15mm 15.039-15.028mm	20mm	HM-15-20-10.00
		25mm	HM-15-25-10.00
		12mm	HM-18-12-12.00
12mm	18mm 18.039-18.028mm	20mm	HM-18-20-12.00
		25mm	HM-18-25-12.00
		16mm	HM-22-16-15.00
15mm	22mm 22.048-22.035mm	28mm	HM-22-28-15.00
		36mm	HM-22-36-15.00
		16mm	HM-26-16-18.00
18mm	26mm 26.048-26.035mm	28mm	HM-26-28-18.00
		36mm	HM-26-36-18.00
		20mm	HM-30-20-22.00
22mm	30mm 30.048-30.035mm	36mm	HM-30-36-22.00
		45mm	HM-30-45-22.00
		20mm	HM-35-20-26.00
26mm	35mm 35.059-35.043mm	36mm	HM-35-36-26.00
		45mm	HM-35-45-26.00
		25mm	HM-42-25-30.00
30mm	42mm 42.059-42.043mm	45mm	HM-42-45-30.00
		56mm	HM-42-56-30.00
		25mm	HM-48-25-35.00
35mm	48mm 48.059-48.043mm	45mm	HM-48-45-35.00
		56mm	HM-48-56-35.00
		30mm	HM-55-30-42.00
42mm	55mm 55.072-55.053mm	56mm	HM-55-56-42.00
		67mm	HM-55-67-42.00
		30mm	HM-62-30-48.00
48mm	62mm 62.072-62.053mm	56mm	HM-62-56-48.00
		67mm	HM-62-67-48.00
		30mm	HM-70-30-55.00
55mm	70mm 70.078-70.059mm	56mm	HM-70-56-55.00
		67mm	HM-70-67-55.00
		35mm	HM-78-35-62.00
62mm	78mm 78.078-78.059mm	67mm	HM-78-67-62.00
		78mm	HM-78-78-62.00

ID (G6)	OD (s6)	LENGTH	ANSI PART NO.
70mm	85mm 85.093-85.071mm	35mm	HM-85-35-70.00
		67mm	HM-85-67-70.00
		78mm	HM-85-78-70.00
78mm	95mm 95.093-95.071mm	40mm	HM-95-40-78.00
		78mm	HM-95-78-78.00
		105mm	HM-95-105-78.00
85mm	105mm 105.101-105.079mm	40mm	HM-105-40-85.00
		78mm	HM-105-78-85.00
		105mm	HM-105-105-85.00
95mm	115mm 115.101-115.079mm	45mm	HM-115-45-95.00
		89mm	HM-115-89-95.00
		112mm	HM-115-112-95.00
105mm	125mm 125.117-125.092mm	45mm	HM-125-45-105.00
		89mm	HM-125-89-105.00
		112mm	HM-125-112-105.00

Note: Metric head-liner bushings are the same as metric head-press-fit bushings.

Alignment Pins

Strength and Precision



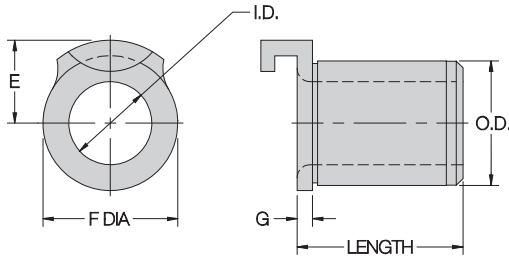
- Wide assortment of quality ball lock and detent pins for precision alignment
- In steel or stainless steel
- A wide selection of other alignment pins are available

See Pages 27-65

UN-A-LOK™ LINER BUSHINGS



UL
ULM



INCH

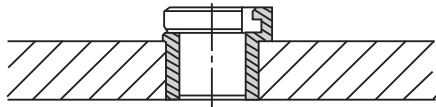
BODY OD	E	F DIA	G
5/16	1/4	.365	3/32
1/2	3/8	9/16	3/32
3/4	1/2	13/16	3/32
1	21/32	1-1/16	1/8
1-3/8	7/8	1-7/16	1/8

METRIC

BODY OD	E	F DIA	G
12mm	9.5mm	15mm	3mm
15mm	11mm	18mm	3mm
18mm	13mm	22mm	4mm
22mm	15.5mm	26mm	4mm
26mm	17.5mm	30mm	4mm

APPLICATIONS:

Similar to an HL head liner, but incorporating a special locking tab that eliminates the need for a lock screw. Un-A-Lok™ liners are permanent bushings used to hold SF renewable drill bushings (on the “slip” side only, not the “fixed” side). Although slightly more expensive than a head liner plus a lock screw, installation time is dramatically reduced. **Patent no. 3,015,242 and 3,099,079.**



ORDERING EXAMPLES:

UL-20-5	Standard inch liner bushing
UL-20-5U	Unground OD
ULM-12-10	Standard metric liner bushing

STANDARD LINER ID TOLERANCES:

3/16 to 5/16"	+0.001/+0.004	8 to 10mm	+0.005/+0.014mm
1/2"	+0.002/+0.005	12 to 18mm	+0.006/+0.017mm
3/4"	+0.003/+0.006		(G6 tolerance)
1"	+0.004/+0.007		

INCH

ID	OD	LENGTH	ANSI PART NO.
3/16	5/16 .3141-.3138 (.327-.322 UNG)	5/16	UL-20-5
		3/8	UL-20-6
		1/2	UL-20-8
		3/4	UL-20-12
5/16	1/2 .5017-.5014 (.520-.515 UNG)	3/8	UL-32-6
		1/2	UL-32-8
		3/4	UL-32-12
1/2	3/4 .7518-.7515 (.770-.765 UNG)	1/2	UL-48-8
		3/4	UL-48-12
		1	UL-48-16
3/4	1 1.0018-1.0015 (1.020-1.015 UNG)	1/2	UL-64-8
		3/4	UL-64-12
		1	UL-64-16
1	1-3/8 1.3772-1.3768 (1.395-1.390 UNG)	1/2	UL-88-8
		3/4	UL-88-12
		1	UL-88-16
		1-3/8	UL-88-22

METRIC

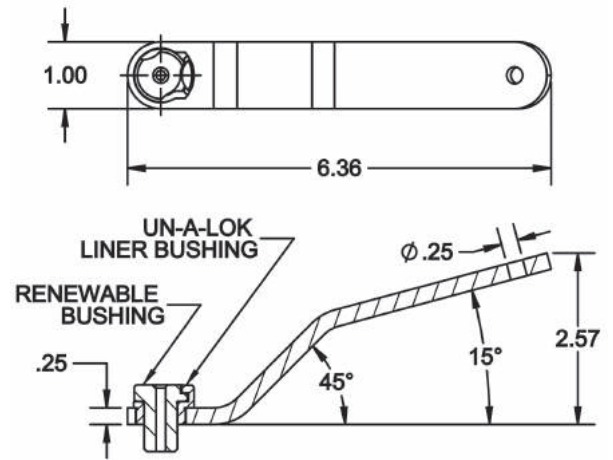
ID (G6)	OD (s6)	LENGTH	PART NO.
8mm	12mm 12.039-12.028mm	10mm	ULM-12-10-8.00
		16mm	ULM-12-16-8.00
10mm	15mm 15.039-15.028mm	12mm	ULM-15-12-10.00
		20mm	ULM-15-20-10.00
		25mm	ULM-15-25-10.00
12mm	18mm 18.039-18.028mm	12mm	ULM-18-12-12.00
		20mm	ULM-18-20-12.00
		25mm	ULM-18-25-12.00
15mm	22mm 22.048-22.035mm	16mm	ULM-22-16-15.00
		28mm	ULM-22-28-15.00
		36mm	ULM-22-36-15.00
18mm	26mm 26.048-26.035mm	16mm	ULM-26-16-18.00
		28mm	ULM-26-28-18.00
		36mm	ULM-26-36-18.00

BUSHING HANDLES

QUICK-CHANGE HANDLE: ALUMINUM WITH 1144 STEEL UN-A-LOK LINER
PERMANENT HANDLE: MILD STEEL



Quick-Change Bushing Handle

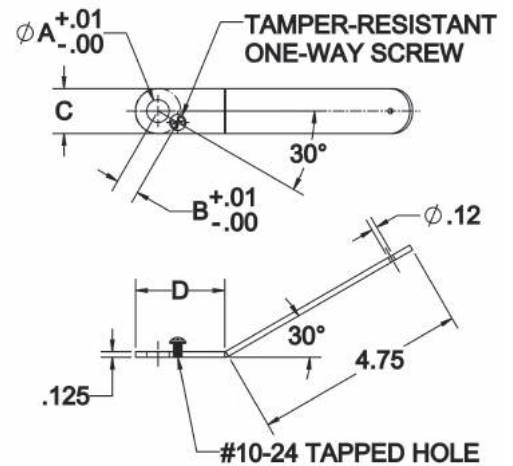


Quick-Change Bushing Handles are ready to hold any Slip/Fixed Renewable Drill Bushing in a choice of three OD sizes – 3/16, 5/16, or 1/2". These comfortable, high-quality handles provide convenient handling and extra support when using a portable drill motor. A Un-A-Lok liner bushing permanently installed in the handle provides excellent wear resistance and quick bushing changes. The handle is provided with a hole in the end for cable attachment.

PART NO.	SF BUSHING OD
CL-12-BHQC	3/16
CL-20-BHQC	5/16
CL-32-BHQC	1/2



Permanent Bushing Handle

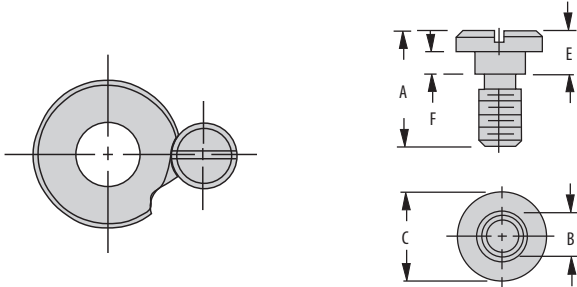


Permanent Bushing Handles are designed for one-time installation of a Slip/Fixed Bushing directly into the steel handle, where it is fastened with a tamper-resistant one-way screw to create a permanent assembly. The handle is provided with a hole in the end for cable attachment.

PART NO.	SF BUSHING OD	A DIA	B	C	D
CL-20-BH	5/16	.313	.383	1	1.12
CL-32-BH	1/2	.501	.508	1	1.12

LOCKSCREWS AND CLAMPS

LOCKSCREWS



The most popular locking device for renewable drill bushings. Use on either the "slip" or "fixed" side of a slip-fixed bushing. Simple, strong, compact, and economical.

STANDARD MOUNTING (INCH)

PART NO. (PACK OF 5)	A	B DIA	C DIA	E	F	THREAD
LS-0-PACKOF5	7/16	3/16	5/16	3/16	.105/.100	#8-32
LS-1-PACKOF5	5/8	3/8	5/8	1/4	.138/.132	5/16-18
LS-2-PACKOF5	7/8			3/8	.200/.194	
LS-3-PACKOF5	1	7/16	3/4	3/8	.200/.194	3/8-16
LS-4-PACKOF5*	1-1/16			7/16	.231/.225	
LS-5-PACKOF5*	1-1/8			1/2	.263/.257	

STANDARD MOUNTING - THINWALL (INCH)

TW-1-PACKOF5	7/16	3/16	5/16	3/16	.105/.100	#8-32
TW-2-PACKOF5	1/2	1/4	3/8	1/4	.138/.132	#10-32
TW-3-PACKOF5	11/16					
TW-4-PACKOF5	7/8	3/8	9/16	1/2	.263/.257	5/16-18
TW-5-PACKOF5	1	3/8	5/8	5/8	.325/.319	
TW-7-PACKOF5	3/4			3/8	.200/.194	

STANDARD MOUNTING (METRIC)

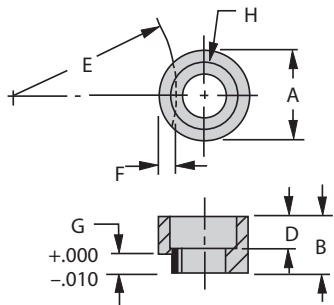
LSM-1-PACKOF5	15mm	7.5mm	13mm	6mm	3.3mm	M5
LSM-3-PACKOF5	18mm	9.5mm	16mm	8mm	4.3mm	M6
LSM-5-PACKOF5	22mm	12mm	20mm	10mm	5.8mm	M8
LSM-7-PACKOF5	32mm	15mm	24mm	12mm	7.3mm	M10

PROJECTED MOUNTING (METRIC)

LSM-2-PACKOF5	18mm	7.5mm	13mm	9mm	6.3mm	M5
LSM-4-PACKOF5	22mm	9.5mm	16mm	12mm	8.3mm	M6
LSM-6-PACKOF5	27mm	12mm	20mm	15mm	10.8mm	M8
LSM-8-PACKOF5	38mm	15mm	24mm	18mm	13.3mm	M10

* For extended-range bushings.

ROUND CLAMPS



Alternative to lock screws when using the "fixed" side of a slip-fixed SF bushing. Round clamps have less clearance under their heads, to clamp bushings tighter (which is why you cannot use them on the bushing's "slip" side). Use them with a Socket-Head Cap Screw.

STANDARD MOUNTING (INCH)

PART NO.	A DIA	B	D	E	F	G	H SOCKET-HEAD CAP SCREW	REPLACES LOCK SCREW
RC-01	5/8	5/16	5/32	17/32	.109	.125	5/16-18	LS-1
RC-02		7/16	7/32	29/32	.125	.188		LS-2
RC-03	3/4	1/2	9/32	1-13/32	.156	.188	3/8-16	LS-3
RC-04*		17/32	1/4	2-1/2		.219		LS-4
RC-05*		9/16				.250		LS-5

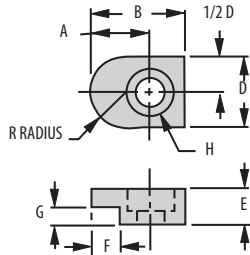
STANDARD MOUNTING (METRIC)

RCM-1	13mm	8mm	4mm	9.5mm	2.8mm	3mm	M5	LSM-1
RCM-3	16mm	10mm	5mm	15mm	3.3mm	4mm	M6	LSM-3
RCM-5	20mm	12mm	5mm	30mm	3.8mm	5.5mm	M8	LSM-5
RCM-7	24mm	16mm	7mm	80mm	4.5mm	7mm	M10	LSM-7

* For extended-range bushings.

LOCKSCREWS AND CLAMPS

ROUND END CLAMPS



A heavy-duty alternative to lock screws. Allows locating tapped hole farther away from bushing to avoid interference with a larger liner. Use on either the "slip" or "fixed" side of a slip-fixed renewable bushing. Available in two heights: standard for recessed liner mounting; tall for projected head-liner mounting. Use with a Socket-Head Cap Screw.

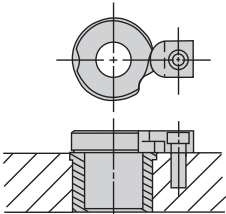
STANDARD MOUNTING (INCH)

PART NO.	A	B	D	E	F	G	H SOCKET-HEAD CAP SCREW	R
RK-01	7/16	3/4	5/4	5/16	3/16	1/8	1/4-20	5/16
RK-02	1/2			3/8	1/4	3/16		
RK-03	5/8	1	3/4	3/8	5/16	3/16	5/16-18	3/8
RK-04*	11/16	1-1/8	3/4	7/16	5/16	7/32	3/8-16	3/8
RK-05*				1/2		1/4		

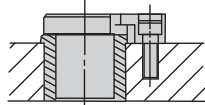
PROJECTED MOUNTING (INCH)

PART NO.	A	B	D	E	F	G	H SOCKET-HEAD CAP SCREW	R
RK-10	7/16	3/4	5/8	3/8	3/16	7/32	1/4-20	5/16
RK-11				1/4				
RK-12	1/2	1	3/4	1/2	1/4	5/16	3/8-16	3/8
RK-13				3/8				
RK-14	5/8	1	3/4	1/2	5/16	3/8	3/8-16	3/8

* For extended-range bushings.

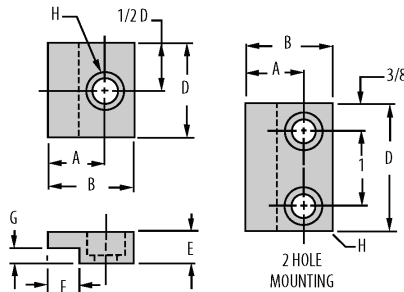
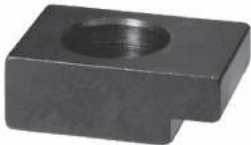


Standard Mounting



Projected Mounting

FLAT CLAMPS



Use to lock FM-type fixed-renewable bushings which have a milled locking flat. Available in two heights: standard for recessed liner mounting; tall for projected head-liner mounting. Use with one or two Socket-Head Cap Screws.

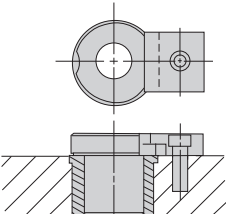
STANDARD MOUNTING (INCH)

PART NO.	NO. OF HOLES	A	B	D	E	F	G	H SOCKET-HEAD CAP SCREW
FC-01	1	1/2	7/8	5/8	5/16	3/16	1/8	1/4-20
FC-02		5/8	1	1	3/8	1/4	3/16	5/16-18
FC-03		1-1/8	5/16					
FC-04*	1	51/64	1-11/64	1-1/4	3/8	27/64	7/32	3/8-16
FC-05*	2			1-3/4				
FC-06*	1			1-1/4				
FC-07*	2			1-3/4	1/2			

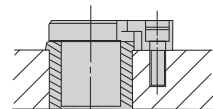
PROJECTED MOUNTING (INCH)

PART NO.	NO. OF HOLES	A	B	D	E	F	G	H SOCKET-HEAD CAP SCREW
FC-10	1	1/2	7/8	5/8	3/8	3/16	7/32	1/4-20
FC-11							1/4	
FC-12	1	5/8	1	1	1/2	1/4	5/16	5/16-18
FC-13							3/8	

* For extended-range bushings.



Standard Mounting

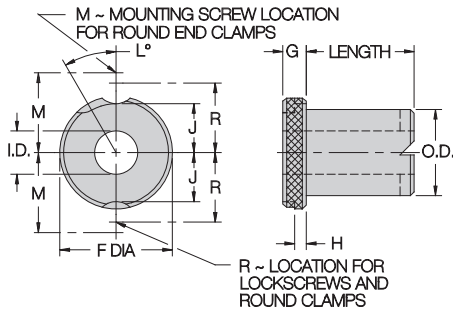


Projected Mounting

CHIP-BREAKER BUSHINGS



CH



INCH

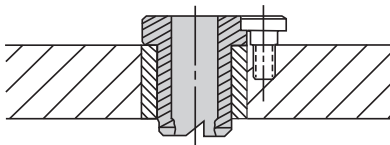
BODY OD	F	G	H	J	L	M	R	LOCK SCREW
5/16	35/64	1/4	1/8	11/64	65°	5/8	1/2	LS-1
1/2	51/64			19/64	65°	3/4	5/8	
3/4	1-3/64			27/64	50°	7/8	3/4	
1	1-27/64	3/8	3/16	19/32	35°	1-7/64	59/64	LS-2
1-3/8	1-51/64			25/32	30°	1-19/64	1-7/64	
1-3/4	2-19/64			1	30°	1-41/64	1-25/64	
2-1/4	2-51/64	3/8	3/16	1-1/4	25°	1-57/64	1-41/64	LS-3

METRIC

8mm	15mm	6mm	3mm	4.5mm	65°	11.5mm	LSM-1	
10mm	18mm			6mm	65°		13mm	LSM-2
12mm	22mm	8mm	4mm	7.5mm	60°	16mm	LSM-3	
15mm	26mm			9.5mm	50°	18mm		LSM-4
18mm	30mm			11.5mm	50°	20mm		
22mm	34mm	10mm	5.5mm	13mm	35°	23.5mm	LSM-5	
26mm	39mm			15.5mm	35°	26mm		LSM-6
30mm	46mm			19mm	30°	29.5mm		
35mm	52mm			22mm	30°	32.5mm		
42mm	59mm			25.5mm	30°	36mm		
48mm	66mm	12mm	7mm	28.5mm	30°	41mm	LSM-7	
55mm	74mm			32.5mm	25°	45mm		LSM-8
62mm	82mm			36.5mm	25°	49mm		

APPLICATIONS:

Similar to an SF renewable bushing, but with specially designed chip-breaking notches on the drill-exit end. Use to break up chips from tough stringy materials, to reduce friction and heat buildup. Reduces bushing wear at the drill-exit end and reduces the chance of tool or workpiece damage. A chip-breaker bushing should extend beyond its liner to allow chips to escape. Chip breakers are also available on other bushing types such as P, H, and DC (directed coolant).



ORDERING EXAMPLES:

CH-20-16-.1250 Standard inch SF-type bushing with chip breaker, inch ID
 CH-20-16-.1772 Standard inch SF-type bushing with chip breaker, mm ID (.1772 = 4.50mm)

CH-20-16-.1250 NCB No counterbore on long bushings marked with * (no counterbore is standard on all other bushings)
 CHM-10-20-4.50 Standard metric SF-type bushing with chip breaker
 PCH-20-16-.1250 P bushing with chip breaker
 HCH-20-16-.1250 H bushing with chip breaker
 DCCH-20-16-.1250 Directed coolant bushing with chip breaker

STANDARD ID TOLERANCES:

From #80 to 1/4"	+0.001/+0.0004	From .35 to 3mm	+0.002/+0.008mm
Over 1/4 to 3/4"	+0.001/+0.0005	Over 3 to 6mm	+0.004/+0.012mm
Over 3/4 to 1-1/2"	+0.002/+0.0006	Over 6 to 10mm	+0.005/+0.014mm
Over 1-1/2 to 2-3/4"	+0.003/+0.0007	Over 10 to 18mm	+0.006/+0.017mm
		Over 18 to 30mm	+0.007/+0.020mm
		Over 30 to 50mm	+0.009/+0.025mm

(G6 tolerance)

ID RANGE	OD	LENGTH	ANSI PART NO.	LOCK SCREW
.0625-.0934 1/16-#43 1.60-2.35mm	5/16 .3125-.3123	*3/4	CH-20-12	LS-1 RC-01 RK-01 RK-10
		*1	CH-20-16	
		*1-3/8	CH-20-22	
.0935-.1935 #42-#10 2.40-4.90mm	1/2 .5000-.4998	*3/4	CH-20-12	LS-1 RC-01 RK-01 RK-10
		*1	CH-20-16	
		*1-3/8	CH-20-22	
.1405-.3438 #28-11/32 3.60-8.70mm	3/4 .7500-.7498	*3/4	CH-32-12	LS-1 RC-01 RK-01 RK-10
		*1	CH-32-16	
		*1-3/8	CH-32-22	
		*1-3/4	CH-32-28	
		*2-1/8	CH-32-34	
.2812-.5625 9/32-9/16 7.20-14.00mm	1 1.0000-.9998	1	CH-48-16	LS-1 RC-01 RK-01 RK-11
		1-3/8	CH-48-22	
		1-3/4	CH-48-28	
		2-1/8	CH-48-34	
		*2-1/2	CH-48-40	
.4688-.7812 15/32-25/32 11.50-19.50mm	1-3/8 1.3750-1.374	1	CH-64-16	LS-2 RC-02 RK-02 RK-12
		1-3/8	CH-64-22	
		1-3/4	CH-64-28	
		2-1/8	CH-64-34	
		2-1/2	CH-64-40	
.7188-1.0625 23/32-1-1/16 18.50-27.00mm	1-3/4 1.7500-1.7497	1	CH-88-16	LS-2 RC-02 RK-02 RK-12
		1-3/8	CH-88-22	
		1-3/4	CH-88-28	
		2-1/8	CH-88-34	
		2-1/2	CH-88-40	
.9688-1.4062 31/32-1-13/32 25.00-35.00mm	2-1/4 2.2500-2.2496	1-3/8	CH-112-22	LS-3 RC-03 RK-03 RK-13
		1-3/4	CH-112-28	
		2-1/8	CH-112-34	
		2-1/2	CH-112-40	
		3	CH-112-48	
1.3438-1.8750 1-11/32-1-7/8 35.00-47.00mm	2-1/4 2.2500-2.2496	1-3/8	CH-144-22	LS-3 RC-03 RK-03 RK-13
		1-3/4	CH-144-28	
		2-1/8	CH-144-34	
		2-1/2	CH-144-40	
		3	CH-144-48	

* **INFO+:** Counterbored, leaving correct drill-bearing length and clearance (see page 537 for bearing length).

CHIP-BREAKER BUSHINGS – METRIC

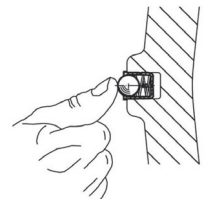
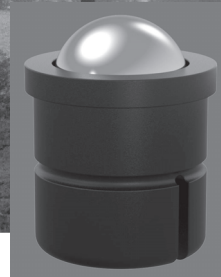


CHM

ID RANGE (G6)	OD (h5)	LENGTH	ANSI PART NO.	LOCK SCREW
1.00-4.00mm	8mm 8.000-7.994mm	*10mm	CHM-8-10	LSM-1 LSM-2 RCM-1 RCM-2
		*16mm	CHM-8-16	
4.01-6.00mm	10mm 10.000-9.994mm	12mm	CHM-10-12	LSM-3 LSM-4 RCM-3 RCM-4
		20mm	CHM-10-20	
		25mm	CHM-10-25	
6.01-8.00mm	12mm 12.000-11.992mm	12mm	CHM-12-12	LSM-5 LSM-6 RCM-5 RCM-6
		20mm	CHM-12-20	
		25mm	CHM-12-25	
8.01-10.00mm	15mm 15.000-14.992mm	16mm	CHM-15-16	LSM-7 LSM-8 RCM-7 RCM-8
		28mm	CHM-15-28	
		36mm	CHM-15-36	
10.01-12.00mm	18mm 18.000-17.992mm	16mm	CHM-18-16	LSM-7 LSM-8 RCM-7 RCM-8
		28mm	CHM-18-28	
		36mm	CHM-18-36	
12.01-15.00mm	22mm 22.000-21.991mm	20mm	CHM-22-20	LSM-7 LSM-8 RCM-7 RCM-8
		36mm	CHM-22-36	
		45mm	CHM-22-45	
15.01-18.00mm	26mm 26.000-25.991mm	20mm	CHM-26-20	LSM-7 LSM-8 RCM-7 RCM-8
		36mm	CHM-26-36	
		45mm	CHM-26-45	
18.01-22.00mm	30mm 30.000-29.991mm	25mm	CHM-30-25	LSM-7 LSM-8 RCM-7 RCM-8
		45mm	CHM-30-45	
		56mm	CHM-30-56	
22.01-26.00mm	35mm 35.000-34.989mm	25mm	CHM-35-25	LSM-7 LSM-8 RCM-7 RCM-8
		45mm	CHM-35-45	
		56mm	CHM-35-56	
26.01-30.00mm	42mm 42.000-41.989mm	30mm	CHM-42-30	LSM-7 LSM-8 RCM-7 RCM-8
		56mm	CHM-42-56	
		67mm	CHM-42-67	
30.01-35.00mm	48mm 48.000-47.989mm	30mm	CHM-48-30	LSM-7 LSM-8 RCM-7 RCM-8
		56mm	CHM-48-56	
		67mm	CHM-48-67	
35.01-42.00mm	55mm 55.000-54.987mm	30mm	CHM-55-30	LSM-7 LSM-8 RCM-7 RCM-8
		56mm	CHM-55-56	
		67mm	CHM-55-67	
42.01-48.00mm	62mm 62.000-61.987mm	35mm	CHM-62-35	LSM-7 LSM-8 RCM-7 RCM-8
		67mm	CHM-62-67	
		78mm	CHM-62-78	

* Small metric drill sizes through .80mm are counterbored 1.00mm diameter, with 3mm drill-bearing length.

Precision All in One Shot.



Thanks to their flexible body design, Self-Retaining Ball Plungers from Carr Lane Mfg. can be securely installed in an ordinary drilled hole, very often simply by hand.

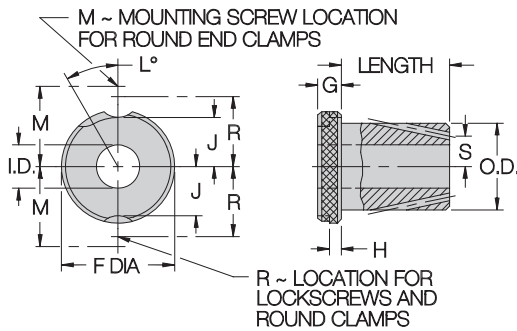
The slotted end of the thermoplastic body expands to compensate for hole tolerances up to .008".

Eliminate an extra machining step with Self-Retaining Ball Plungers.

Carr Lane
MANUFACTURING CO.

See page 177

DIRECTED-COOLANT BUSHINGS



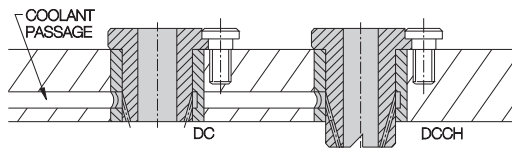
BODY OD	F DIA	G	H	J	L	M	N DIA
5/16	35/64	1/4	1/8	11/64	65°	5/8	5/8
1/2	51/64			19/64	65°	3/4	7/8
3/4	1-3/64			27/64	50°	7/8	1-1/8
1	1-27/64	3/8	3/16	19/32	35°	1-7/64	1-1/2
1-3/8	1-51/64			25/32	30°	1-19/64	1-7/8
1-3/4	2-19/64			1	30°	1-41/64	2-3/8
2-1/4	2-51/64			1-1/4	25°	1-57/64	2-7/8

BODY OD	P	Q	R	S	T DIA	U DIA	V
5/16	3/32	3/16	1/2	5/64	.067	25/64	5/32
1/2	3/32	5/16**	5/8	9/64	.093	19/32**	7/32**
3/4	1/8	5/16	3/4	17/64	.104	55/64	7/32
1	1/8	5/16	59/64	23/64	.125	1-5/32	7/32
1-3/8	3/16	7/16	1-7/64	17/32	.147	1-17/32	9/32
1-3/4	3/16		1-25/64	11/16	.173	1-31/32	
2-1/4	3/16		1-41/64	7/8	.173	2-15/32	

** Q = 3/16, U = 39/64, V = 5/32 on 1/2" long liner bushings.

APPLICATIONS:

Similar to an SF renewable bushing, but with passages to direct coolant to the cutting area. This design is particularly good for washing away chips, especially when ordered as the combination Directed Coolant Chip Breaker (DCCH). DC bushings require special liners, DCL or DCHL, to direct coolant from a drilled manifold passage to the holes in the bushing's OD wall. **INFO+:** Important note: Always order matching liner length (see page 571.)



ORDERING EXAMPLES:

DC-20-12-.1250	Standard inch directed-coolant bushing, inch ID
DCCH-20-16-.1250	Same as above, except with chip breakers (go to next length so that chip breakers extend beyond the liner)
DC-20-12-.1772	Standard inch directed-coolant bushing, mm ID (.1772 = 4.50 mm)
DC-20-12-.1250 REAMER	Reamer tolerance on ID
DC-20-12-.1250 NCB	No counterbore on long bushings marked with * (no counterbore is standard on all other bushings)
DCL-32-12	Liner for renewable bushings above
DCHL-32-12	Head liner for renewable bushings above

STANDARD ID TOLERANCES:

From #80 to 1/4"	+0.001/+0.0004	From .35 to 3mm	+0.002/+0.008mm
Over 1/4 to 3/4"	+0.001/+0.0005	Over 3 to 6mm	+0.004/+0.012mm
Over 3/4 to 1-1/2"	+0.002/+0.0006	Over 6 to 10mm	+0.005/+0.014mm
Over 1-1/2 to 2-3/4"	+0.003/+0.0007	Over 10 to 18mm	+0.006/+0.017mm
		Over 18 to 30mm	+0.007/+0.020mm
		Over 30 to 50mm	+0.009/+0.025mm

REAMER ID TOLERANCES:

From #60 to 1/4"	+0.005/+0.0008	From 1 to 3mm	+0.006/+0.012mm
Over 1/4 to 1"	+0.006/+0.0010	Over 3 to 6mm	+0.010/+0.018mm
Over 1 to 1-1/2"	+0.008/+0.0012	Over 6 to 10mm	+0.013/+0.022mm
		Over 10 to 18mm	+0.016/+0.027mm
		Over 18 to 30mm	+0.020/+0.033mm

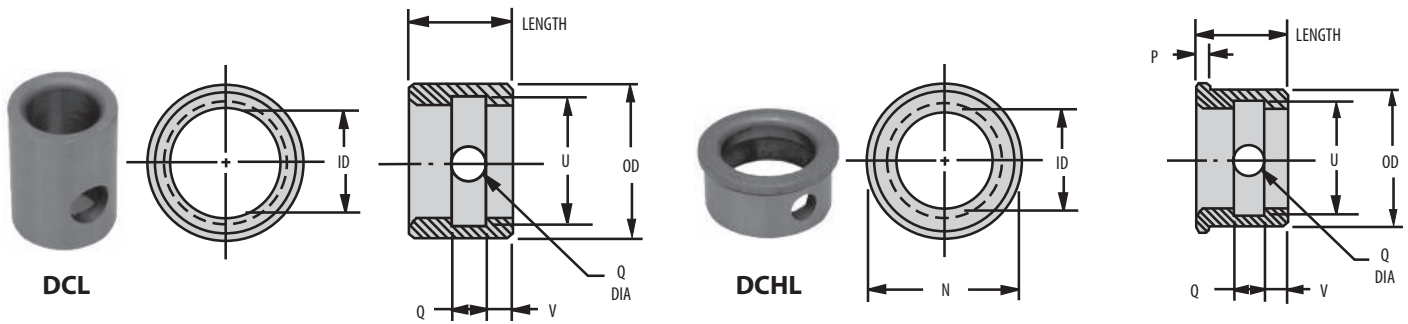
STANDARD LINER ID TOLERANCES:

5/16"	+0.001/+0.0004	1-3/8"	+0.006/+0.010
1/2"	+0.002/+0.0005	1-3/4"	+0.008/+0.012
3/4"	+0.003/+0.0006	2-1/4"	+0.010/+0.015
1"	+0.004/+0.0007		

ID RANGE	OD	LENGTH	ANSI PART NO.	LOCK SCREW
.0625-.0934 1/16-#43 1.60-2.35mm	5/16 .3125-.3123	*3/4	DC-20-12	LS-1 RC-01 RK-01 RK-11
		*1	DC-20-16	
		*1-3/8	DC-20-22	
.0935-.1935 #42-#10 2.40-4.90mm	1/2 .5000-.4998	*3/4	DC-20-12	LS-1 RC-01 RK-01 RK-11
		*1	DC-20-16	
		*1-3/8	DC-20-22	
1405-.3438 #28-11/32 3.60-8.70mm	3/4 .7500-.7498	*3/4	DC-32-12	
		*1	DC-32-16	LS-1 RC-01 RK-01 RK-11
		*1-3/8	DC-32-22	
		*1-3/4	DC-32-28	
		*2-1/8	DC-32-34	
.2812-.5625 9/32-9/16 7.20-14.00mm	1 1.0000-.9998	1	DC-48-16	
		1-3/8	DC-48-22	LS-1 RC-01 RK-01 RK-11
		1-3/4	DC-48-28	
		2-1/8	DC-48-34	
		*2-1/2	DC-48-40	
.4688-.7812 15/32-25/32 11.50-19.50mm	1-3/8 1.3750-1.3747	1	DC-64-16	
		1-3/8	DC-64-22	LS-2 RC-02 RK-02 RK-12
		1-3/4	DC-64-28	
		2-1/8	DC-64-34	
		2-1/2	DC-64-40	
.7188-1.0625 23/32-1-1/16 18.50-27.00mm	1-3/4 1.7500-1.7497	1	DC-88-16	
		1-3/8	DC-88-22	LS-2 RC-02 RK-02 RK-12
		1-3/4	DC-88-28	
		2-1/8	DC-88-34	
		2-1/2	DC-88-40	
.9688-1.4062 31/32-1-13/32 25.00-35.00mm	2-1/4 2.2500-2.2496	1	DC-112-22	
		1-3/8	DC-112-22	LS-3 RC-03 RK-03 RK-13
		1-3/4	DC-112-28	
		2-1/8	DC-112-34	
		2-1/2	DC-112-40	
1.3438-1.8750 1-11/32-1-7/8 35.00-47.00mm	2-1/4 2.2500-2.2496	1	DC-144-22	
		1-3/8	DC-144-22	LS-3 RC-03 RK-03 RK-13
		1-3/4	DC-144-28	
		2-1/8	DC-144-34	
		2-1/2	DC-144-40	
		3	DC-144-48	

* **INFO+:** Counterbored, leaving correct drill-bearing length and clearance (see page 537 for bearing length).

DIRECTED-COOLANT BUSHINGS



INFO+: See below and page 570 for dimensions.

LINERS

ID	OD	LENGTH	PART NO.	MATCHING RENEWABLE BUSHING	
				STANDARD	CHIP BREAKER
5/16	1/2 .5017-.5014 (.520-.515 UNG)	1/2	DCL-32-8	—	DCCH-20-12
		3/4	DCL-32-12	DC-20-12	DCCH-20-16
		1	DCL-32-16	DC-20-16	DCCH-20-22
		1-3/8	DCL-32-22	DC-20-22	—
1/2	3/4 .7518-.7515 (.770-.765 UNG)	1/2	DCL-48-8	—	DCCH-32-12
		3/4	DCL-48-12	DC-32-12	DCCH-32-16
		1	DCL-48-16	DC-32-16	DCCH-32-22
		1-3/8	DCL-48-22	DC-32-22	DCCH-32-28
		1-3/4	DCL-48-28	DC-32-28	DCCH-32-34
		2-1/8	DCL-48-34	DC-32-34	—
3/4	1 1.0018-1.0015 (1.020-1.015 UNG)	3/4	DCL-64-12	—	DCCH-48-16
		1	DCL-64-16	DC-48-16	DCCH-48-22
		1-3/8	DCL-64-22	DC-48-22	DCCH-48-28
		1-3/4	DCL-64-28	DC-48-28	DCCH-48-34
		2-1/8	DCL-64-34	DC-48-34	DCCH-48-40
		2-1/2	DCL-64-40	DC-48-40	—
1	1-3/8 1.3772-1.3768 (1.395-1.390 UNG)	3/4	DCL-88-12	—	DCCH-64-16
		1	DCL-88-16	DC-64-16	DCCH-64-22
		1-3/8	DCL-88-22	DC-64-22	DCCH-64-28
		1-3/4	DCL-88-28	DC-64-28	DCCH-64-34
		2-1/8	DCL-88-34	DC-64-34	DCCH-64-40
		2-1/2	DCL-88-40	DC-64-40	DCCH-64-48
		3	DCL-88-48	DC-64-48	—
1-3/8	1-3/4 1.7523-1.7519 (1.770-1.765 UNG)	3/4	DCL-112-12	—	DCCH-88-16
		1	DCL-112-16	DC-88-16	DCCH-88-22
		1-3/8	DCL-112-22	DC-88-22	DCCH-88-28
		1-3/4	DCL-112-28	DC-88-28	DCCH-88-34
		2-1/8	DCL-112-34	DC-88-34	DCCH-88-40
		2-1/2	DCL-112-40	DC-88-40	DCCH-88-48
1-3/4	2-1/4 2.2525-2.2521 (2.270-2.265 UNG)	3	DCL-112-48	DC-88-48	—
		1	DCL-144-16	—	DCCH-112-22
		1-3/8	DCL-144-22	DC-112-22	DCCH-112-28
		1-3/4	DCL-144-28	DC-112-28	DCCH-112-34
		2-1/8	DCL-144-34	DC-112-34	DCCH-112-40
		2-1/2	DCL-144-40	DC-112-40	DCCH-112-48
2-1/4	2-3/4 2.7526-2.7522 (2.770-2.765 UNG)	3	DCL-144-48	DC-112-48	—
		1	DCL-176-16	—	DCCH-144-22
		1-3/8	DCL-176-22	DC-144-22	DCCH-144-28
		1-3/4	DCL-176-28	DC-144-28	DCCH-144-34
		2-1/8	DCL-176-34	DC-144-34	DCCH-144-40
		2-1/2	DCL-176-40	DC-144-40	DCCH-144-48
3	DCL-176-48	DC-144-48	—		

HEAD LINERS

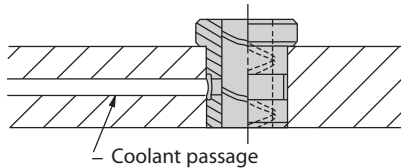
HEAD LINER PART NO.	MATCHING RENEWABLE BUSHING	
	STANDARD	CHIP BREAKER
DCHL-32-8	—	DCCH-20-12
DCHL-32-12	DC-20-12	DCCH-20-16
DCHL-32-16	DC-20-16	DCCH-20-22
DCHL-32-22	DC-20-22	—
DCHL-48-8	—	DCCH-32-12
DCHL-48-12	DC-32-12	DCCH-32-16
DCHL-48-16	DC-32-16	DCCH-32-22
DCHL-48-22	DC-32-22	DCCH-32-28
DCHL-48-28	DC-32-28	DCCH-32-34
DCHL-48-34	DC-32-34	—
DCHL-64-12	—	DCCH-48-16
DCHL-64-16	DC-48-16	DCCH-48-22
DCHL-64-22	DC-48-22	DCCH-48-28
DCHL-64-28	DC-48-28	DCCH-48-34
DCHL-64-34	DC-48-34	DCCH-48-40
DCHL-64-40	DC-48-40	—
DCHL-88-12	—	DCCH-64-16
DCHL-88-16	DC-64-16	DCCH-64-22
DCHL-88-22	DC-64-22	DCCH-64-28
DCHL-88-28	DC-64-28	DCCH-64-34
DCHL-88-34	DC-64-34	DCCH-64-40
DCHL-88-40	DC-64-40	DCCH-64-48
DCHL-88-48	DC-64-48	—
DCHL-112-12	—	DCCH-88-16
DCHL-112-16	DC-88-16	DCCH-88-22
DCHL-112-22	DC-88-22	DCCH-88-28
DCHL-112-28	DC-88-28	DCCH-88-34
DCHL-112-34	DC-88-34	DCCH-88-40
DCHL-112-40	DC-88-40	DCCH-88-48
DCHL-112-48	DC-88-48	—
DCHL-144-16	—	DCCH-112-22
DCHL-144-22	DC-112-22	DCCH-112-28
DCHL-144-28	DC-112-28	DCCH-112-34
DCHL-144-34	DC-112-34	DCCH-112-40
DCHL-144-40	DC-112-40	DCCH-112-48
DCHL-144-48	DC-112-48	—
DCHL-176-16	—	DCCH-144-22
DCHL-176-22	DC-144-22	DCCH-144-28
DCHL-176-28	DC-144-28	DCCH-144-34
DCHL-176-34	DC-144-34	DCCH-144-40
DCHL-176-40	DC-144-40	DCCH-144-48
DCHL-176-48	DC-144-48	—

OIL-GROOVE BUSHINGS



APPLICATIONS:

Oil grooves are available on most drill-bushing types, including P, H, and SF. Use when you need complete drill lubrication and cooling, such as when drilling hardened steel. Oil grooves are specially designed coolant passageways in the bushing's ID wall. Choose from 25 different groove styles. End wipers are also available, to keep out dirt and chips.



ORDERING EXAMPLES:

P-48-16-.5000-AJ	P bushing with AJ oil groove, inch ID
P-48-16-.4724-AJ	P bushing with AJ oil groove, mm ID (.4724 = 12.00mm)
P-48-16-.5000-AJ-AAA	P bushing with AJ oil groove and AAA wiper
SF-48-16-.5000-AJ	SF bushing with AJ oil groove

THREE GENERAL TYPES:

1. With oil hole. A single radial hole in the bushing wall allows coolant to flow from a manifold passage to the internal oil grooves. Bushing must be installed to line up the radial hole with the manifold passage.
2. With oil hole and external groove. OD groove allows coolant to flow around the bushing, then through the radial hole in the bushing's wall to the internal oil grooves. Allows installing the bushing at any orientation, and mounting bushings in series using a single manifold passage. This type is our most popular.
3. Without oil feed. No external coolant feed through a manifold passage, so all coolant enters through the top. This type is also commonly used as a bearing bushing, packed with oil or grease.

OIL-GROOVE STYLES:

We offer a wide selection of oil-groove styles in each general type. This allows choosing a style to suit various operating conditions, lubrication requirements, and individual preferences.

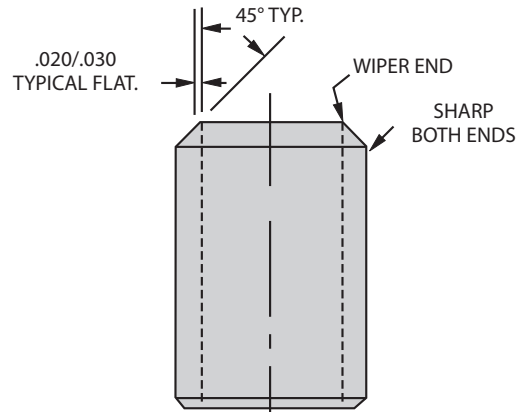
OPTIONAL WIPERS:

To guard against dirt and chips entering the bushing ID, order oil-groove bushings with a wiper end. Note: do not order an oil-groove style that breaks out at the wiper end (AA, AB, AG, AH, AD, or AE). Order style AAA for headless bushings (install wiper in either direction). Order style ABB or ACC for head-type bushings.

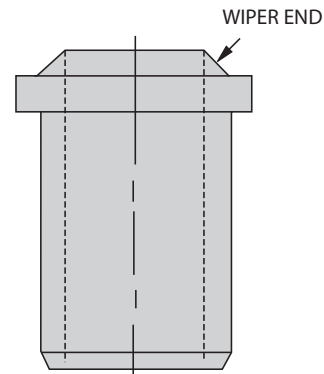
TECHNICAL DATA:

Oil-groove dimensions - 1/16" wide x 1/32" deep
 Oil-hole dimensions - 1/4" diameter
 External-groove dimensions - 5/16" wide x 3/64" deep
 Allowable ID range - 1/2" to 8"
 Allowable length range - 1/2" to 8"
 Oil grooves stop 1/8" short of bushing end.

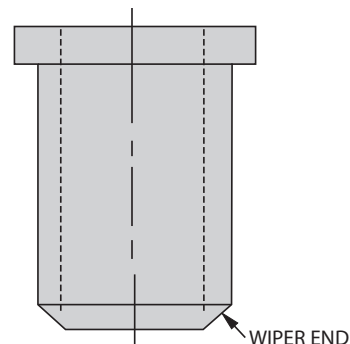
OPTIONAL WIPERS



STYLE AAA
HEADLESS BUSHINGS

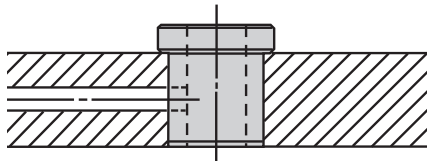


STYLE ABB
HEAD-TYPE BUSHINGS

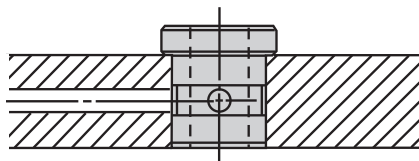


STYLE ACC
HEAD-TYPE BUSHINGS

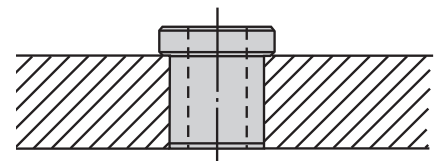
OIL-GROOVE BUSHINGS



**WITH
OIL HOLE**



**WITH OIL HOLE &
EXTERNAL GROOVE**



**WITHOUT
OIL FEED**

 AC Helix	 AA Helix Open Bottom	 AJ Helix	 AG Helix Open Bottom	 AF Helix	 AD Helix Open Bottom
 AB Helix Open both ends	 AL Straight	 AH Helix Open both ends	 AO Two Holes	 AE Helix Open both ends	 AK Straight
 AR Loop	 AU Double Loop	 AS Loop	 AV Double Loop	 AT Loop	 AW Double Loop
 AN Figure 8	 AX Double Figure 8	 AP Figure 8	 AY Double Figure 8	 AQ Figure 8	 AZ Double Figure 8
				 AM Helix with ID groove	

OIL-GROOVE BUSHINGS

OIL-GROOVE CONVERSION CHART

Carr Lane Mfg.	Ace	Acme	American	Briney	Economy	United	Universal	Welch
Style AA	Type 1	Style 5	Style 1	Style A	Style A	Style 1A	Style A	Style A
Style AB	Type 2	Style 8	Style 2	Style B	Style B	Style 2A	Style B	Style B
Style AC	Type 3	Style 2	Style 3	Style C	Style C	Style 3A	Style C	Style C
Style AD	Type 4	Style 4	Style 4	Style D	Style D	Style 1	Style D	Style D
Style AE	Type 6	Style 7	Style 5	Style E	Style E	Style 2	Style E	Style E
Style AF	Type 5	Style 1	Style 6	Style F	Style F	Style 3	Style F	Style F
Style AG	Type 7	Style 6	Style 7	Style G	Style G	Style 1B	Style G	Style G
Style AH	Type 8	Style 9	Style 8	Style H	Style H	Style 2B	Style H	Style H
Style AJ	Type 9	Style 3	Style 9	Style J	Style J	Style 3B	Style J	Style J
Style AK	Type 10	Style 10	Style 10	Style K	Style K	Style 4	Style K	Style K
Style AL	Type 11	Style 11	Style 11	Style L	Style L	Style 4A	Style L	Style L
Style AM	Type 12	—	Style 12	Style M	Style M	Style 6	Style M	Style M
Style AN	Type 14	Style 20	Style 13	Style N	Style N	Style 7A	Style N	Style N
Style AO	Type 13	Style 12	Style 14	Style O	Style O	Style 12C	Style O	Style O
Style AP	Type 15	Style 21	Style 15	Style P	Style P	Style 7B	Style P	Style P
Style AQ	Type 16	Style 19	Style 16	Style Q	Style Q	Style 7	Style Q	Style Q
Style AR	Type 17	Style 14	Style 17	Style R	Style R	Style 9A	Style R	Style R
Style AS	Type 18	Style 15	Style 18	Style S	Style S	Style 9B	Style S	Style S
Style AJ	Type 19	Style 13	Style 19	Style T	Style T	Style 9	Style T	Style T
Style AU	Type 20	Style 17	Style 20	Style U	Style U	Style 10A	Style U	Style U
Style AV	Type 21	Style 18	Style 21	Style V	Style V	Style 10B	Style V	Style V
Style AW	Type 22	Style 16	Style 22	Style W	Style W	Style 10	Style W	Style W
Style AX	Type 23	Style 23	Style 23	Style X	Style X	Style 8A	Style X	Style X
Style AY	Type 24	Style 24	Style 24	Style Y	Style Y	Style 8B	Style Y	Style Y
Style AZ	Type 25	Style 22	Style 25	Style Z	Style Z	Style 8	Style Z	Style Z

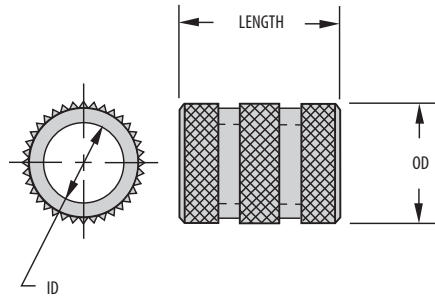
WIPER CONVERSION CHART

Carr Lane Mfg.	Ace	Acme	American	Briney	Economy	United	Universal	Welch
Style AAA	Type WEA	Style WA	Style A	Style AA	Style AA	Style PE	Style AA	Style AA
Style ABB	Type WEB	Style WB	Style B	Style BB	Style BB	Style HW	Style BB	Style BB
Style ACC	Type WEC	Style WC	Style C	Style CC	Style CC	Style HE	Style CC	Style CC

DIAMOND-GROOVE BUSHINGS

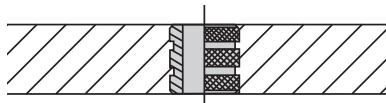


DG



APPLICATIONS:

A bushing for cast-in-place or potted installation. Diamond-knurled OD provides superior holding strength against both rotational and axial forces. Since the bushing's OD is not ground, keep the ID accurately located during casting or potting to ensure accuracy in the finished tool.



ORDERING EXAMPLES:

DG-26-16-.1875	Standard inch bushing, inch ID
DG-26-16-.1772	Standard inch bushing, mm ID (.1772 = 4.50mm)
DG-26-16-.1875 REAMER	Reamer tolerance on ID
DG-26-16-.1875 NCB	No counterbore on long bushings marked with * (no counterbore is standard on all other bushings)
DGM-8-12-4.50	Standard metric bushing

Standard prices apply only to bushings with a standard-drill-size ID within the stated ID range. See catalog back cover for standard drill sizes and their decimal equivalents. For prices on non-standard ID sizes, including reamer-tolerance and tap-guide bushings, please contact factory.

STANDARD ID TOLERANCES:

From #55 to 1/4"	+ .0001/+ .0004	From 1 to 3mm	+ .002/+ .008mm
Over 1/4 to 3/4"	+ .0001/+ .0005	Over 3 to 6mm	+ .004/+ .012mm
Over 3/4 to 1-1/2"	+ .0002/+ .0006	Over 6 to 10mm	+ .005/+ .014mm
		Over 10 to 18mm	+ .006/+ .017mm
		Over 18 to 19mm	+ .007/+ .020mm (G6 tolerance)

REAMER ID TOLERANCES:

From #60 to 1/4"	+ .0005/+ .0008	From 1 to 3mm	+ .006/+ .012mm
Over 1/4 to 1"	+ .0006/+ .0010	Over 3 to 6mm	+ .010/+ .018mm
		Over 6 to 10mm	+ .013/+ .022mm
		Over 10 to 18mm	+ .016/+ .027mm
		Over 18 to 19mm	+ .020/+ .033mm (F6 tolerance)

ID RANGE	OD	LENGTH	ANSI PART NO.
.0520-.0995 #55-#39 1.35-2.50mm	13/64 .223-.213	1/4	DG-13-4
		5/16	DG-13-5
		3/8	DG-13-6
		1/2	DG-13-8
.0980-.1406 #40-9/64 2.50-3.50mm	1/4 .275-.260	1/4	DG-16-4
		5/16	DG-16-5
		3/8	DG-16-6
		1/2	DG-16-8
		*3/4	DG-16-12
.1250-.1935 1/8-#10 3.20-4.90mm	5/16 .337-.322	1/4	DG-20-4
		5/16	DG-20-5
		3/8	DG-20-6
		1/2	DG-20-8
		3/4	DG-20-12
.1562-.2570 5/32-F 4.00-6.50mm	13/32 .431-.416	*1	DG-20-16
		1/4	DG-26-4
		5/16	DG-26-5
		3/8	DG-26-6
		1/2	DG-26-8
.1562-.3160 5/32-O 4.00-8.00mm	1/2 .525-.510	3/4	DG-26-12
		*1	DG-26-16
		5/16	DG-32-5
		3/8	DG-32-6
		1/2	DG-32-8
.3125-.4375 5/16-7/16 7.90-11.00mm	5/8 .650-.635	3/4	DG-32-12
		*1	DG-32-16
		3/8	DG-40-6
		1/2	DG-40-8
		3/4	DG-40-12
.3125-.5312 5/16-17/32 8.00-13.00mm	3/4 .775-.760	1	DG-40-16
		1-3/8	DG-40-22
		3/8	DG-48-6
		1/2	DG-48-8
		3/4	DG-48-12
.5000-.6562 1/2-21/32 13.00-16.50mm	7/8 .900-.885	1	DG-48-16
		1-3/8	DG-48-22
		3/8	DG-56-6
		1/2	DG-56-8
		3/4	DG-56-12
.5000-.7656 1/2-49/64 13.00-19.00mm	1 1.035-1.010	1	DG-56-16
		1-3/8	DG-56-22
		1/2	DG-64-8
		3/4	DG-64-12
		1	DG-64-16
		1-3/8	DG-64-22
		1-1/2	DG-64-24

* **INFO+**: Counterbored, leaving correct drill-bearing length and clearance (see page 537 for bearing length).

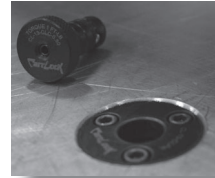
DIAMOND-GROOVE BUSHINGS – METRIC



DGM

ID RANGE (G6)	OD	LENGTH	ANSI PART NO.
1.00-1.80mm	5mm 5.50-5.25mm	6mm	DGM-5-6
		9mm	DGM-5-9
1.81-2.60mm	5.50-5.25mm	6mm	DGM-5-6
		9mm	DGM-5-9
2.61-3.30mm	6mm 6.65-6.25mm	8mm	DGM-6-8
		12mm	DGM-6-12
		16mm	DGM-6-16
3.31-4.00mm	7mm 7.65-7.25mm	8mm	DGM-7-8
		12mm	DGM-7-12
		16mm	DGM-7-16
4.01-5.00mm	8mm 8.65-8.25mm	8mm	DGM-8-8
		12mm	DGM-8-12
		16mm	DGM-8-16
5.01-6.00mm	10mm 10.65-10.25mm	10mm	DGM-10-10
		16mm	DGM-10-16
		20mm	DGM-10-20
6.01-8.00mm	12mm 12.65-12.25mm	10mm	DGM-12-10
		16mm	DGM-12-16
		20mm	DGM-12-20
8.01-10.00mm	15mm 15.65-15.25mm	12mm	DGM-15-12
		20mm	DGM-15-20
		25mm	DGM-15-25
10.01-12.00mm	18mm 18.65-18.25mm	12mm	DGM-18-12
		20mm	DGM-18-20
		25mm	DGM-18-25
12.01-15.00mm	22mm 22.65-22.25mm	16mm	DGM-22-16
		28mm	DGM-22-28
		36mm	DGM-22-36
15.01-18.00mm	26mm 26.90-26.25mm	16mm	DGM-26-16
		28mm	DGM-26-28
		36mm	DGM-26-36

CarrLock
System for Fast Fixturing



PROBLEM:

"We are an aerospace prototype shop making the transition from prototype to production on an important UAV project. We've developed elaborate fixturing of all shapes and sizes. We found ourselves leaving our trim fixtures set up on a large gantry style table and then having to tear everything down when a large part came along to make way for it.

This tied up one of our most valuable spindles, and dust collection was nearly impossible. Change over and setup times were totally out of control."



Machine Operator Tyler Vaughn, of the Flying S, places a carbon trim fixture. The Carr Lock® receiver bushings allow for fixtures in various configurations.

SOLUTION:

"I discovered that I could combine 80% of our trim fixtures into just one fixture plate using just two Carr Lock pins, with excellent locating ability and much better clamping than before.

Our setup times have gone from an average of about 25 minutes to literally 30 seconds, thus saving us hundreds of hours."

*Peter Bowman
Production Manager/Mfg Engineer
Flying S Inc.*

Exclusively
Made in the
USA

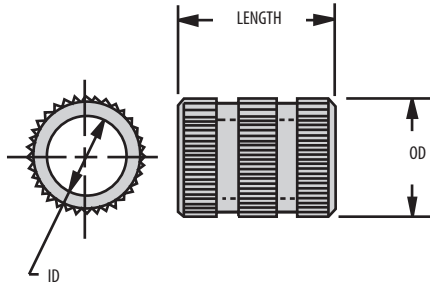
www.carrlane.com/carrlock

See Pages 358-372

SERRATA-GROOVE BUSHINGS

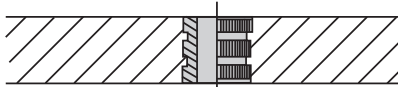


SG



APPLICATIONS:

Can be cast in place or potted, just as a diamond-groove bushing, or can also be pressed into an installation hole. Straight knurl provides less resistance to axial loads than the diamond knurl on a DG bushing. Since the bushing's OD is not ground, keep the ID accurately located during casting or potting to ensure accuracy in the finished tool.



ORDERING EXAMPLES:

SG-26-16-.1875 Standard inch bushing, inch ID
 SG-26-16-.1772 Standard inch bushing, mm ID (.1772 = 4.50mm)
 SG-26-16-.1875 REAMER Reamer tolerance on ID
 SG-26-16-.1875 NCB No counterbore on long bushings marked with * (no counterbore is standard on all other bushings)

Standard prices apply only to bushings with a standard-drill-size ID within the stated ID range. See catalog back cover for standard drill sizes and their decimal equivalents. For prices on non-standard ID sizes, including reamer-tolerance and tap-guide bushings, please contact factory.

STANDARD ID TOLERANCES:

From #55 to 1/4"	+0.001/+0.004	From 1 to 3mm	+0.02/+0.08mm
Over 1/4 to 3/4"	+0.001/+0.005	Over 3 to 6mm	+0.04/+0.12mm
Over 3/4 to 1-1/2"	+0.002/+0.006	Over 6 to 10mm	+0.05/+0.14mm
Over 10 to 18mm	+0.006/+0.017mm	Over 18 to 19mm	+0.07/+0.20mm

(G6 tolerance)

REAMER ID TOLERANCES:

From #60 to 1/4"	+0.005/+0.008	From 1 to 3mm	+0.06/+0.12mm
Over 1/4 to 1"	+0.006/+0.010	Over 3 to 6mm	+0.10/+0.18mm
		Over 6 to 10mm	+0.13/+0.22mm
		Over 10 to 18mm	+0.16/+0.27mm
		Over 18 to 19mm	+0.20/+0.33mm

(F6 tolerance)

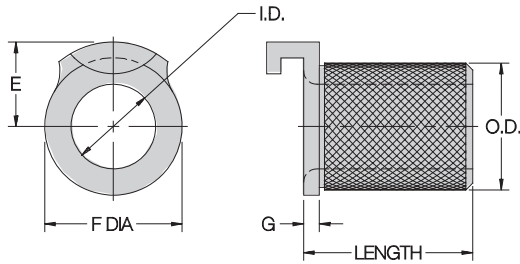
ID RANGE	OD	LENGTH	ANSI PART NO.
.0520-.0995 #55-#39 1.35-2.50mm	13/64 .223-.213	1/4	SG-13-4
		5/16	SG-13-5
		3/8	SG-13-6
		1/2	SG-13-8
.0980-.1406 #40-9/64 2.50-3.50mm	1/4 .275-.260	1/4	SG-16-4
		5/16	SG-16-5
		3/8	SG-16-6
		1/2	SG-16-8
		*3/4	SG-16-12
.1250-.1935 1/8-#10 3.20-4.90mm	5/16 .337-.322	1/4	SG-20-4
		5/16	SG-20-5
		3/8	SG-20-6
		1/2	SG-20-8
		3/4	SG-20-12
		*1	SG-20-16
.1562-.2570 5/32-F 4.00-6.50mm	13/32 .431-.416	1/4	SG-26-4
		5/16	SG-26-5
		3/8	SG-26-6
		1/2	SG-26-8
		3/4	SG-26-12
.1562-.3160 5/32-O 4.00-8.00mm	1/2 .525-.510	*1	SG-26-16
		5/16	SG-32-5
		3/8	SG-32-6
		1/2	SG-32-8
		3/4	SG-32-12
.3125-.4375 5/16-7/16 7.90-11.00mm	5/8 .650-.635	*1	SG-32-16
		3/8	SG-40-6
		1/2	SG-40-8
		3/4	SG-40-12
		1	SG-40-16
.3125-.5312 5/16-17/32 8.00-13.00mm	3/4 .775-.760	1-3/8	SG-40-22
		3/8	SG-48-6
		1/2	SG-48-8
		3/4	SG-48-12
		1	SG-48-16
.5000-.6562 1/2-21/32 13.00-16.50mm	7/8 .900-.885	1-3/8	SG-48-22
		3/8	SG-56-6
		1/2	SG-56-8
		3/4	SG-56-12
		1	SG-56-16
.5000-.7656 1/2-49/64 13.00-19.00mm	1 1.035-1.010	1-3/8	SG-56-22
		1/2	SG-64-8
		3/4	SG-64-12
		1	SG-64-16
		1-3/8	SG-64-22
		1-1/2	SG-64-24

* **INFO+**: Counterbored, leaving correct drill-bearing length and clearance (see page 537 for bearing length).

DIAMOND-KNURL UN-A-LOK™ LINER BUSHINGS



ULD
ULDM



INCH

ID	OD	LENGTH	PART NO.
3/16	5/16 .342-.332	5/16	ULD-20-5
		3/8	ULD-20-6
		1/2	ULD-20-8
		3/4	ULD-20-12
5/16	1/2 .533-.523	3/8	ULD-32-6
		1/2	ULD-32-8
		3/4	ULD-32-12
		1	ULD-48-8
1/2	3/4 .785-.775	3/4	ULD-48-12
		1	ULD-48-16
		1 1/2	ULD-64-8
3/4	1 1.035-1.025	3/4	ULD-64-12
		1	ULD-64-16
		1 1/2	ULD-88-8
1	1-3/8 1.415-1.405	3/4	ULD-88-12
		1	ULD-88-16
		1-3/8	ULD-88-22
		1 1/2	ULD-88-22

METRIC

ID (G6)	OD	LENGTH	PART NO.
8mm	12mm 12.65-12.25mm	10mm	ULDM-12-10
		16mm	ULDM-12-16
10mm	15mm 15.65-15.25mm	12mm	ULDM-15-12
		20mm	ULDM-15-20
		25mm	ULDM-15-25
12mm	18mm 18.65-18.25mm	12mm	ULDM-18-12
		20mm	ULDM-18-20
		25mm	ULDM-18-25
15mm	22mm 22.65-22.25mm	16mm	ULDM-22-16
		28mm	ULDM-22-28
		36mm	ULDM-22-36
18mm	26mm 26.90-26.25mm	16mm	ULDM-26-16
		28mm	ULDM-26-28
		36mm	ULDM-26-36

INCH

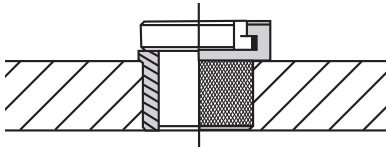
BODY OD	E	F DIA	G
5/16	1/4	.365	3/32
1/2	3/8	9/16	3/32
3/4	1/2	13/16	3/32
1	21/32	1-1/16	1/8
1-3/8	7/8	1-7/16	1/8

METRIC

BODY OD	E	F DIA	G
12mm	9.5mm	15mm	3mm
15mm	11mm	18mm	3mm
18mm	13mm	22mm	4mm
22mm	15.5mm	26mm	4mm
26mm	17.5mm	30mm	4mm

APPLICATIONS:

A liner for cast-in-place or potted installation, used to hold SF renewable drill bushings. Un-A-Lok™ liners incorporate a special locking tab that eliminates the need for a lock screw. Holds only the "slip" side of an SF bushing, not the "fixed" side. Diamond-knurl OD provides superior holding strength against both rotational and axial forces. Since the bushing's OD is not ground, keep the ID accurately located during casting or potting to ensure accuracy in the finished tool.



13

ORDERING EXAMPLES:

ULD-20-5 Standard inch liner bushing
ULDM-12-10 Standard metric liner bushing

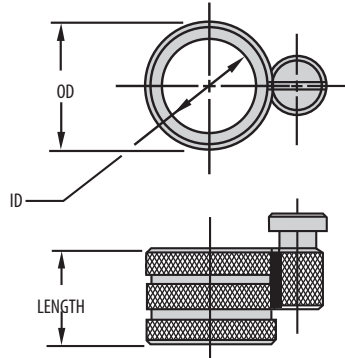
STANDARD LINER ID TOLERANCES:

3/16 to 5/16"	+0.001/+0.004	8 to 10mm	+0.05/+0.014mm
1/2"	+0.002/+0.005	12 to 18mm	+0.06/+0.017mm
3/4"	+0.003/+0.006	(G6 tolerance)	
1"	+0.004/+0.007		

EZ-CAST LINER BUSHINGS



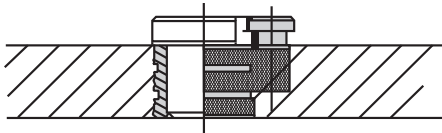
EZ



ID RANGE	OD	LENGTH	PART NO.
5/16 .3126-.3129	1/2 .525-.510	1/2	EZ-32-8
		3/4	EZ-32-12
		1	EZ-32-16
1/2 .5002-.5005	3/4 .775-.760	1/2	EZ-48-8
		3/4	EZ-48-12
		1	EZ-48-16
3/4 .7503-.7506	1 1.035-1.010	1-3/8	EZ-48-22
		1/2	EZ-64-8
		3/4	EZ-64-12
1 1.0004-1.0007	1-3/8 1.410-1.385	1	EZ-64-16
		1-3/8	EZ-64-22
		3/4	EZ-88-12
1 1.0004-1.0007	1-3/8 1.410-1.385	1	EZ-88-16
		1-3/8	EZ-88-22

APPLICATIONS:

Another liner for cast-in-place or potted installation, used to hold SF renewable drill bushings. Unlike diamond-knurl unilock liners, EZ-cast liners hold either the "slip" or "fixed" side of an SF bushing, since they include an integral lockscrew holder. Diamond-knurl OD provides superior holding strength against both rotational and axial forces. Since the bushing's OD is not ground, keep the ID accurately located during casting or potting to ensure accuracy in the finished tool.



ORDERING EXAMPLE:

EZ-32-8 Standard inch liner bushing

STANDARD LINER ID TOLERANCES:

5/16"	+0.001/+0.004
1/2"	+0.002/+0.005
3/4"	+0.003/+0.006
1"	+0.004/+0.007

CarrLane
MANUFACTURING CO.

Hoist Rings



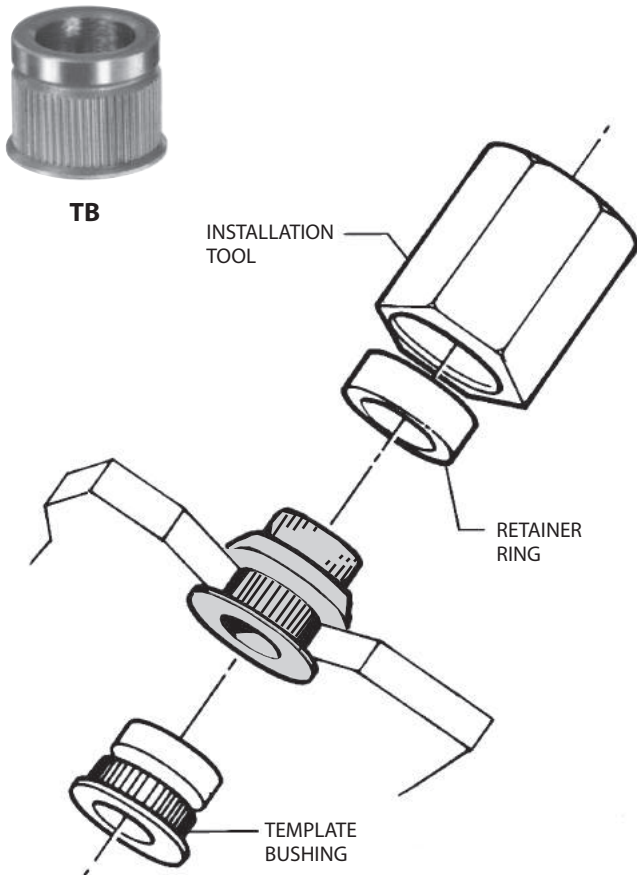
Many Varieties
Of Hoist Rings

Trusted to Move Your Most Important Materials.

- Swivel Hoist Rings
- Safety Hoist Rings
- Pivoting Hoist Rings
- Lifting Eyes
- Side-Pull Hoist Rings

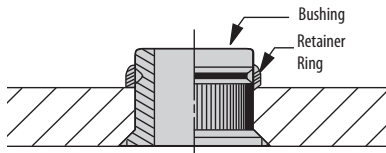
See Pages 73-92

TEMPLATE BUSHINGS



APPLICATIONS:

An economical bushing designed for thin template jig plates from 1/16 to 3/8" thick. Bushings are held in place by a Retainer Ring (order Retainer Ring and Installation Tool separately). The OD serrations prevent the bushing from spinning. Bushings can be removed and reused by breaking the aluminum Retainer Ring (extra rings available separately).



ORDERING EXAMPLES:

TB-24-6-4-.1250 Bushing with 1/8" ID
 TR-10 Matching Retainer Ring for 1/16" thick template
 TR-30 Matching Retainer Ring for 1/8" thick template

13 Standard prices apply only to bushings with a standard-drill-size ID within the stated ID range. See catalog back cover for standard drill sizes and their decimal equivalents. For prices on non-standard ID sizes, including reamer-tolerance and tap-guide bushings, please contact factory.

STANDARD ID TOLERANCES:

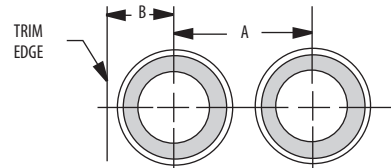
#55 to 1/2" +.0001/+0.0011 | 1.30 to 12mm +.002/+0.030mm

CONCENTRICITY:

ID concentric with OD to within .002 TIR

INSTALLATION STEPS

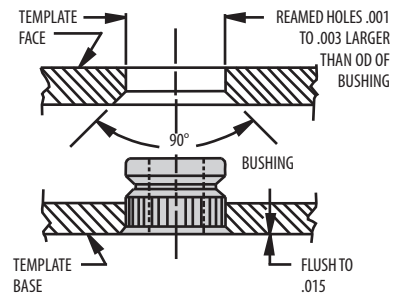
1. LAY OUT HOLES



When laying out holes, observe the minimum hole spacing and edge distance listed below:

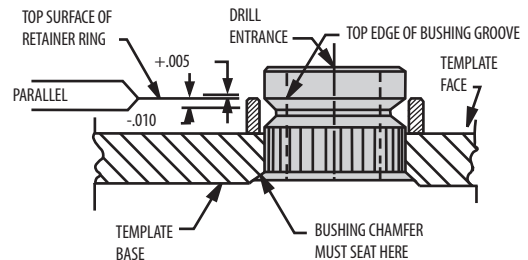
BUSHING OD	A MINIMUM	B MINIMUM
3/8	.60	.250
1/2	.73	.312
3/4	.98	.438

2. REAM AND COUNTERSINK



Ream hole .001 to .003 larger than bushing OD. Countersink reamed hole to allow the bushing to seat .015 below flush with surface. For best results, use a piloted countersink tool so that the countersink is concentric and free of chatter marks.

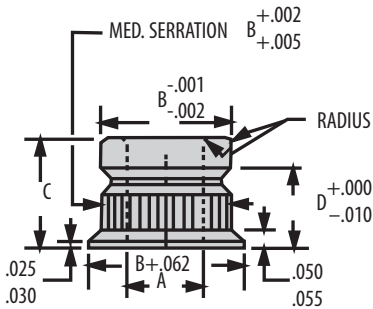
3. INSTALL



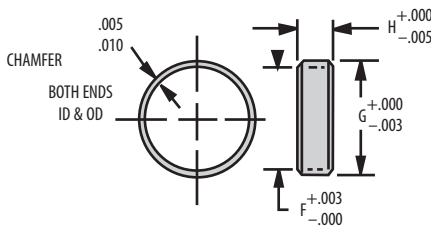
Install Retainer Ring with an arbor press whenever possible. The Installation Tool is also tapped for mounting on a rivet gun or other impact tool. Check that Retainer Ring top surface is within +.005 / -.010 of the bushing groove's top edge before installing.

TEMPLATE BUSHINGS

TEMPLATE BUSHINGS AND RETAINER RINGS

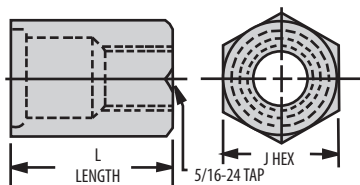


ID RANGE A	OD B	LENGTH C	GRIP D	BUSHING PART NO.	RETAINER RING PART NO.	TEMPLATE THICKNESS	
.0520-.1960 #55-#9 1.30-5.00mm	3/8	3/8	1/4	TB-24-6-4	TR-10	1/16	
			5/16	TB-24-6-5	TR-20	3/32	
		1/2	5/16	TB-24-8-5	TR-30	1/8	
				TB-24-8-6	TR-10	1/8	
			3/8	TB-24-8-6	TR-30	3/16	
				TB-24-8-7	TR-10	1/4	
			7/16	TB-24-8-7	TR-30	5/16	
				.1960-.3160 #9-O 5.00-8.00mm	3/8	1/4	TB-32-6-4
		5/16	TB-32-6-5			TR-50	3/32
		1/2	5/16		TB-32-8-5	TR-60	1/8
TB-32-8-6	TR-40				1/8		
3/8	TB-32-8-6		TR-60		3/16		
	TB-32-8-7		TR-40		3/16		
5/8	1/2	TB-32-8-7	TR-60		1/4		
		TB-32-10-8	TR-40		1/4		
	1/2	TB-32-10-8	TR-60		5/16		
		TB-32-10-8	TR-40		5/16		
.3125-.5000 5/16-1/2 8.00-12.00mm	3/4	3/8	1/4	TB-48-6-4	TR-70	1/16	
			5/16	TB-48-6-5	TR-80	3/32	
		1/2	5/16	TB-48-8-5	TR-90	1/8	
				TB-48-8-6	TR-70	1/8	
			3/8	TB-48-8-6	TR-90	3/16	
				TB-48-8-7	TR-70	3/16	
	5/8	1/2	TB-48-8-7	TR-90	1/4		
			TB-48-10-8	TR-70	1/4		
	3/4	1/2	TB-48-10-8	TR-90	5/16		
			TB-48-10-8	TR-70	5/16		
		1/2	TB-48-10-8	TR-90	3/8		
			TB-48-10-8	TR-70	3/8		



RETAINER RINGS

PART NO.	OD B	G OD	H
TR-10	.375	.468	.205
TR-20			.173
TR-30			.142
TR-40	.500	.593	.205
TR-50			.173
TR-60			.142
TR-70			.205
TR-80	.750	.843	.173
TR-90			.142



INSTALLATION TOOLS

PART NO.	FOR BUSHING SERIES	FOR RING SERIES	J	L	COMPLETE SET
					PART NO.
TBT-100	TB-24	TR-10,TR-20,TR-30	5/8	1	TBT-400
TBT-200	TB-32	TR-40,TR-50,TR-60	3/4	1	
TBT-300	TB-48	TR-70,TR-80,TR-90	1	1	

THREADED TEMPLATE BUSHINGS



**Retainer Ring
(TTR)**



**Threaded
Template Bushing
(TTB)**

STANDARD ID TOLERANCE:

From #55 to 1/2" +.0001/+0.0015
(ID concentric with OD to within .002" TIR)

INSTALLATION:

Drill hole in jig plate to nominal bushing OD (B diameter). Countersink 90° to allow bushing to seat flush to .015" below surface of plate (standard version only, not flanged version). Install and tighten Retainer Ring to secure. To make Retainer Ring installation easier, we offer a handy Socket-Type Installation Tool that fits 1/4" square drives.

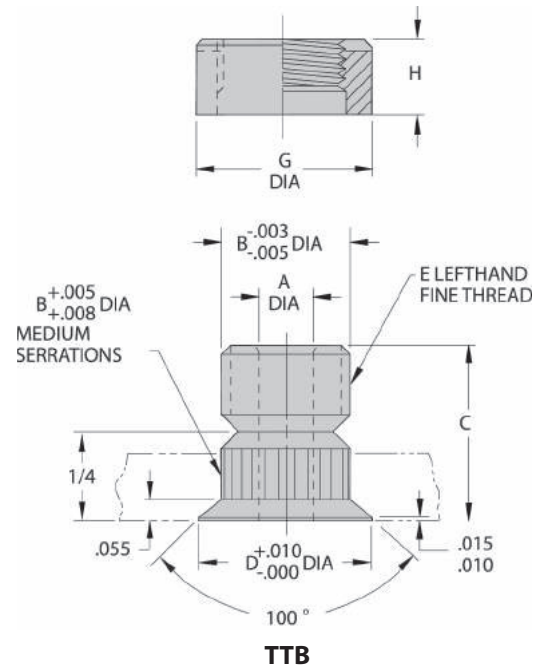
APPLICATIONS:

This economical bushing is designed for thin template jig plates from 3/64 to 3/8" thick. Bushings are held in place by a threaded Retainer Ring (order separately). Left-hand thread is self tightening during drilling to prevent the Retainer Ring from loosening. Flush contact of the Retainer Ring against the jig plate ensures perpendicular drill alignment. OD serrations prevent the bushing from rotating during drilling. Choose standard countersunk type for flush mounting, or flanged type for installation without countersinking the jig plate. Threaded Template Bushings can be easily removed to replace or reuse.

ORDERING EXAMPLES:

Available in 3/8", 1/2", 5/8", 3/4", and 1" OD sizes. Standard prices apply to standard bushings only, with any standard inch or metric ID size within the stated range.

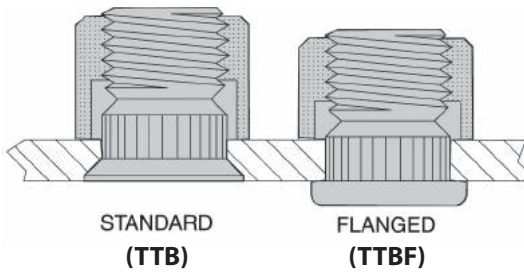
- TTB-24-.1250 Bushing with 1/8" ID
- TTR-24-3 Matching Retainer Ring for 1/4" thick template



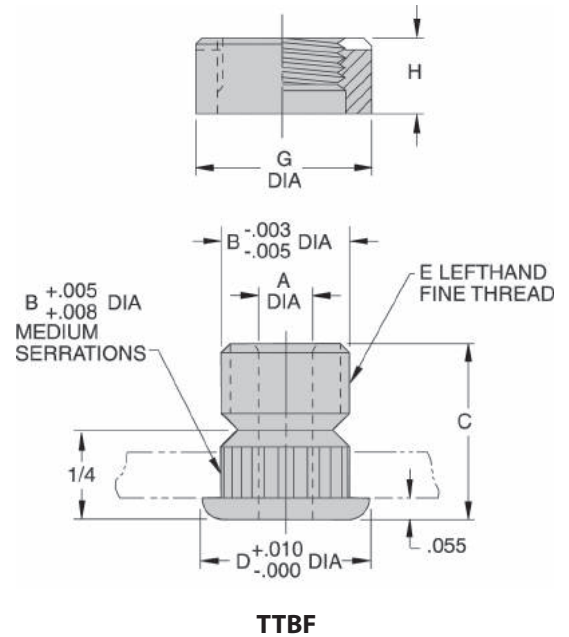
THREADED TEMPLATE BUSHINGS — STANDARD (ORDER BUSHING AND RETAINER RING SEPARATELY)

A ID RANGE	B OD	C LENGTH	D DIA	E	G DIA	H	BUSHING PART NO.	RETAINER RING PART NO.	TEMPLATE THICKNESS
.0520-.1960 #55-#9 1.30-5.00mm	3/8	1/2	.475	3/8-24 LH	1/2	3/8	TTB-24	TTR-24-6	3/64-1/8
						5/16		TTR-24-5	9/64-3/16
						3/16		TTR-24-3	13/64-3/8
.1960-.3160 #9-0 5.00-8.00mm	1/2	1/2	.600	1/2-20 LH	5/8	3/8	TTB-32	TTR-32-6	3/64-1/8
						5/16		TTR-32-5	9/64-3/16
						3/16		TTR-32-3	13/64-3/8
.3125-.4375 5/16-7/16 7.90-11.00mm	5/8	1/2	.725	5/8-18 LH	3/4	3/8	TTB-40	TTR-40-6	3/64-1/8
						5/16		TTR-40-5	9/64-3/16
						3/16		TTR-40-3	13/64-3/8
.3125-.5312 5/16-17/32 8.00-13.00mm	3/4	1/2	.850	3/4-16 LH	1	3/8	TTB-48	TTR-48-6	3/64-1/8
						5/16		TTR-48-5	9/64-3/16
						3/16		TTR-48-3	13/64-3/8
.5000-.7656 1/2-49/64 13.00-19.00mm	1	1/2	1.100	1"-14 LH	1-1/4	3/8	TTB-64	TTR-64-6	3/64-1/8
						5/16		TTR-64-5	9/64-3/16
						3/16		TTR-64-3	13/64-3/8

THREADED TEMPLATE BUSHINGS

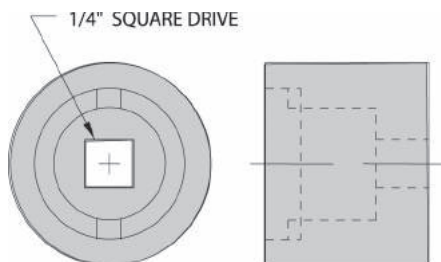


Choose standard countersunk type for flush mounting, or flanged type for installation without countersinking the jig plate.



THREADED TEMPLATE BUSHINGS — FLANGED (ORDER BUSHING AND RETAINER RING SEPARATELY)

A ID RANGE	B OD	C LENGTH	D DIA	E	G DIA	H	BUSHING PART NO.	RETAINER RING PART NO.	TEMPLATE THICKNESS
.0520-.1960 #55-#9 1.30-5.00mm	3/8	1/2	.475	3/8-24 LH	1/2	3/8	TTBF-24	TTR-24-6	3/64-1/8
						5/16		TTR-24-5	9/64-3/16
						3/16		TTR-24-3	13/64-3/8
.1960-.3160 #9-0 5.00-8.00mm	1/2	1/2	.600	1/2-20 LH	5/8	3/8	TTBF-32	TTR-32-6	3/64-1/8
						5/16		TTR-32-5	9/64-3/16
						3/16		TTR-32-3	13/64-3/8
.3125-.4375 5/16-7/16 7.90-11.00mm	5/8	1/2	.725	5/8-18 LH	3/4	3/8	TTBF-40	TTR-40-6	3/64-1/8
						5/16		TTR-40-5	9/64-3/16
						3/16		TTR-40-3	13/64-3/8
.3125-.5312 5/16-17/32 8.00-13.00mm	3/4	1/2	.850	3/4-16 LH	1	3/8	TTBF-48	TTR-48-6	3/64-1/8
						5/16		TTR-48-5	9/64-3/16
						3/16		TTR-48-3	13/64-3/8
.5000-.7656 1/2-49/64 13.00-19.00mm	1	5/8	1.100	1"-14 LH	1-1/4	3/8	TTBF-64	TTR-64-6	3/64-1/8
						5/16		TTR-64-5	9/64-3/16
						3/16		TTR-64-3	13/64-3/8



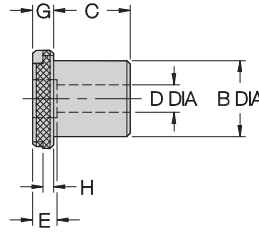
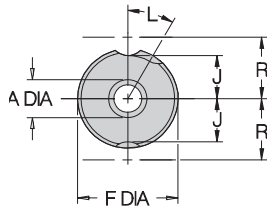
SOCKET-TYPE INSTALLATION TOOLS

PART NO.	FOR INSTALLING RETAINER RINGS		
TTBT-24	TTR-24-3	TTR-24-5	TTR-24-6
TTBT-32	TTR-32-3	TTR-32-5	TTR-32-6
TTBT-40	TTR-40-3	TTR-40-5	TTR-40-6
TTBT-48	TTR-48-3	TTR-48-5	TTR-48-6
TTBT-64	TTR-64-3	TTR-64-5	TTR-64-6

GUN DRILL BUSHINGS



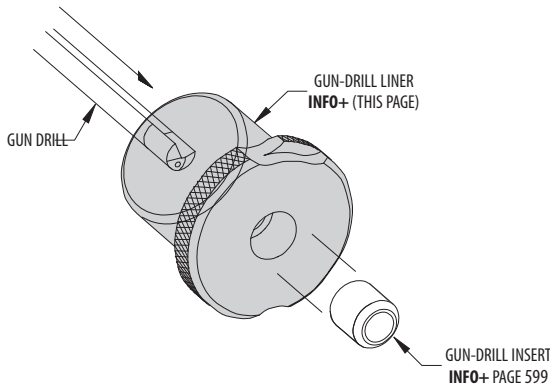
GDL



TYPE GDL GUN-DRILL LINER

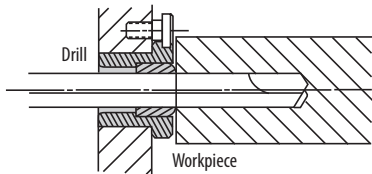
BODY OD	E	F DIA	G	H	J	L	R	LOCK SCREW
1	7/16	1-27/64	3/8	3/16	19/32	35°	59/64	LS-2
1-3/8	7/16	1-51/64	3/8	3/16	25/32	30°	1-7/64	LS-2
1-3/4	3/4	2-19/64	3/8	3/16	1	30°	1-25/64	LS-2

A ID	B OD	C LENGTH	D	PART NO.	LOCK SCREW
13/64	1	1	1/8	GDL-64-16-13	LS-2
1/4			5/32	GDL-64-16-16	
5/16			7/32	GDL-64-16-20	
1/2			11/32	GDL-64-16-32	
3/4			9/16	GDL-64-16-48	
13/64	1-3/8	1-3/8	1/8	GDL-88-22-13	LS-2
1/4			5/32	GDL-88-22-16	
5/16			7/32	GDL-88-22-20	
1/2			11/32	GDL-88-22-32	
3/4			9/16	GDL-88-22-48	
1	1-3/4	1-3/4	51/64	GDL-88-22-64	LS-2
13/64			1/8	GDL-112-28-13	
1/4			5/32	GDL-112-28-16	
5/16			7/32	GDL-112-28-20	
1/2			11/32	GDL-112-28-32	
3/4	9/16	GDL-112-28-48	LS-2		
1	51/64	GDL-112-28-64			
1-3/8			1-3/64	GDL-112-28-88	



APPLICATIONS:

These bushings are for gun-drilling machines, such as Eldorado, Drillmation, deHoff, and Lahr. Gun-drill bushings are similar to SF renewable bushings, but with the drill bearing at the bushing's head end. Depending on the gun-drilling machine, bushings are either one-piece or two-piece (a liner and an insert).



ORDERING EXAMPLE:

GDL-112-28-20 Liner for any insert with a 5/16 OD

Standard prices apply only to bushings with a standard-drill-size ID within the stated ID range. See catalog back cover for standard drill sizes and their decimal equivalents. For prices on non-standard ID sizes, including reamer-tolerance and tap-guide bushings, please contact factory.

STANDARD LINER ID TOLERANCES:

13/64"	+0.0014/+0.0016
1/4 to 5/16"	+0.0015/+0.0017
1/2"	+0.0016/+0.0018
3/4 to 1"	+0.0017/+0.0019
1-3/8"	+0.0021/+0.0023

Have You Visited Our Website?

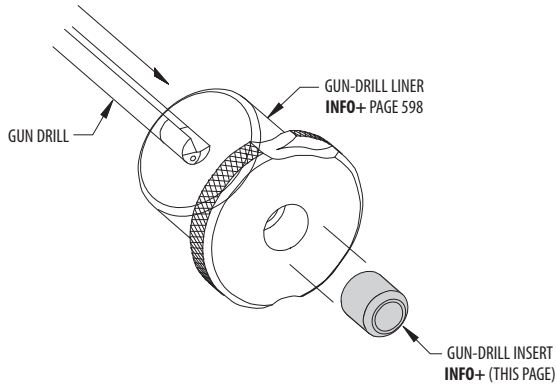
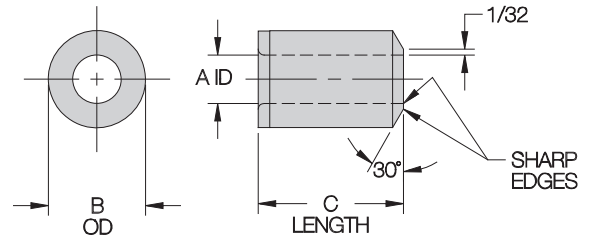
Online Ordering | Free CAD Drawings | Engineering Resources
Create your customer account for additional features!

Visit CarrLane.com

GUN DRILL BUSHINGS



GDI



TYPE GDI GUN-DRILL INSERTS

A ID	B OD	C LENGTH	PART NO.	MATCHING LINER
.0635-.0995 #52-#39 1.65-2.50mm	13/64 .2046-.2043	1/2	GDI-13-8	GDL-64-16-13
		3/4	GDI-13-12	GDL-88-22-13
		1	GDI-13-16	GDL-112-28-13
.0980-.1406 #40-9/64 2.50-3.50mm	1/4 .2516-.2513	1/2	GDI-16-8	GDL-64-16-16
		3/4	GDI-16-12	GDL-88-22-16
		1	GDI-16-16	GDL-112-28-16
.1250-.1935 1/8-#10 3.20-4.90mm	5/16 .3141-.3138	1/2	GDI-20-8	GDL-64-16-20
		3/4	GDI-20-12	GDL-88-22-20
		1	GDI-20-16	GDL-112-28-20
.1875-.3160 3/16-0 4.80-8.00mm	1/2 .5017-.5014	1/2	GDI-32-8	GDL-64-16-32
		3/4	GDI-32-12	GDL-88-22-32
		1	GDI-32-16	GDL-112-28-32
.3125-.5312 5/16-17/32 8.00-13.50mm	3/4 .7518-.7515	1/2	GDI-48-8	GDL-64-16-48
		3/4	GDI-48-12	GDL-88-22-48
		1	GDI-48-16	GDL-112-28-48
.5000-.7656 1/2-49/64 13.00-19.00mm	1 1.0018-1.0015	3/4	GDI-64-12	GDL-88-22-64
		1	GDI-64-16	GDL-112-28-64
.6250-1.0312 5/8-1-1/32 16.00-26.00mm	1-3/8 1.3772-1.3768	1	GDI-88-16	GDL-112-28-88

ORDERING EXAMPLES:

GDI-20-16-.1250 Gun-drill insert for 1-3/4" OD liner

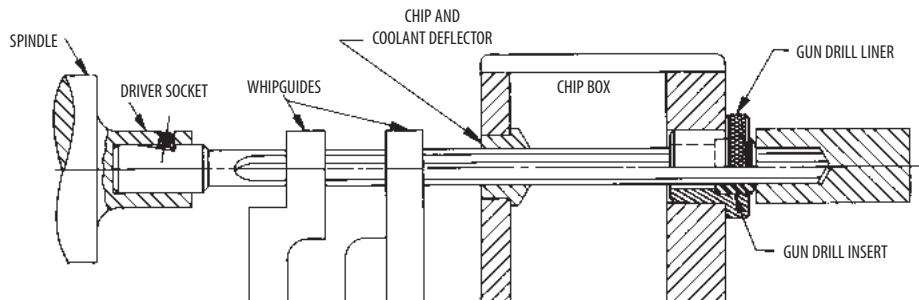
GDI-20-16-.1772 Gun-drill insert for 1-3/4" OD liner

GDL-112-28-20, inch ID
GDL-112-28-20, mm ID
(.1772 = 4.50mm)

Standard prices apply only to bushings with a standard-drill-size ID within the stated ID range. See catalog back cover for standard drill sizes and their decimal equivalents. For prices on non-standard ID sizes, including reamer-tolerance and tap-guide bushings, please contact factory.

STANDARD ID TOLERANCES:

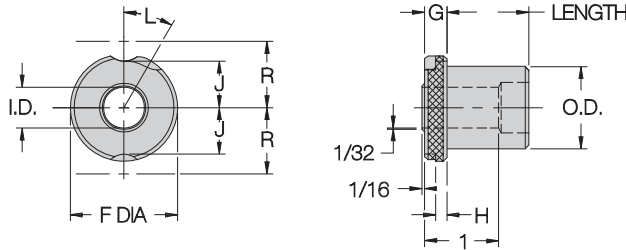
#52 to 1-1/32" -.0000/+0.0002 | 1.65 to 26mm -.000/+0.005mm



GUN DRILL BUSHINGS



GDE



BODY OD	F DIA	G	H	J	L	R
1	1-27/64	3/8	3/16	19/32	35°	59/64
1-3/8	1-51/64	3/8	3/16	25/32	30°	1-7/64

ORDERING EXAMPLES:

GDE-64-12-.1250 Standard gun-drill bushing, inch ID
 GDE-64-12-.1772 Standard gun-drill bushing, mm ID (.1772 = 4.50mm)

STANDARD ID TOLERANCES:

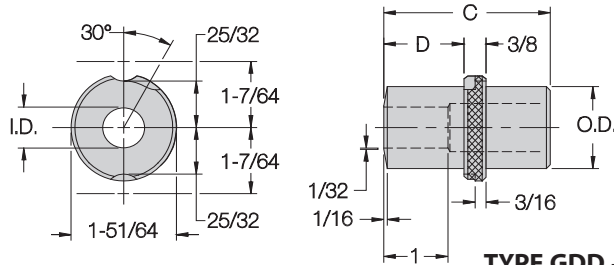
1/8 to 1-1/16" -.0000/+0.0002 | 3 to 27mm -.000/+0.005mm

TYPE GDE — ONE-PIECE ELDORADO TYPE

ID RANGE	OD	LENGTH	PART NO.	LOCK SCREW
.1250-.7812 1/8-25/32 3.20-19.50mm	1 1.0000-.9998	3/4	GDE-64-12	LS-2
		1	GDE-64-16	
		1-3/8	GDE-64-22	
.1250-1.0625 1/8-1-1/16 3.20-27.00mm	1-3/8 1.3750-1.3747	1	GDE-88-16	LS-2
		1-3/8	GDE-88-22	



GDD



ORDERING EXAMPLES:

GDD-88-30-.1250 Standard gun-drill bushing, inch ID
 GDD-88-30-.1772 Standard gun-drill bushing, mm ID (.1772 = 4.50mm)

STANDARD ID TOLERANCES:

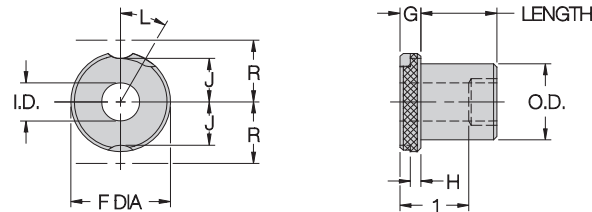
1/8 to 1-1/16" -.0000/+0.0002 | 3 to 27mm -.000/+0.005mm

TYPE GDD — ONE-PIECE ELDORADO DEEP TYPE

ID RANGE	OD	C LENGTH	D EXT.	PART NO.	LOCK SCREW
.1250-1.0625 1/8-1-1/16 3.20-27.00mm	1-3/8 1.3750-1.3747	1-7/8	1/2	GDD-88-30	LS-2
		2-3/8	1	GDD-88-38	
		2-7/8	1-1/2	GDD-88-46	
		3-3/8	2	GDD-88-54	



GDH



BODY OD	F DIA	G	H	J	L	R
1	1-27/64	3/8	3/16	19/32	35°	59/64
1-3/8	1-51/64	3/8	3/16	25/32	30°	1-7/64

ORDERING EXAMPLES:

GDH-64-12-.1250 Standard gun-drill bushing, inch ID
 GDH-64-12-.1772 Standard gun-drill bushing, mm ID (.1772 = 4.50mm)

STANDARD ID TOLERANCES:

1/8 to 1-1/16" -.0000/+0.0002 | 3 to 27mm -.000/+0.005mm

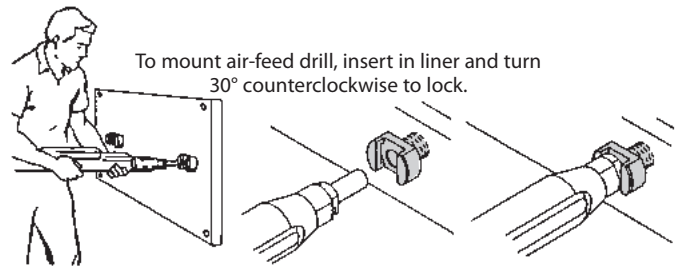
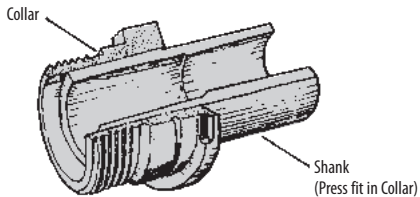
TYPE GDH — ONE-PIECE DEHOFF TYPE

ID RANGE	OD	LENGTH	PART NO.	LOCK SCREW
.1250-.7812 1/8-25/32 3.20-19.50mm	1 1.0000-.9998	3/4	GDH-64-12	LS-2
		1	GDH-64-16	
		1-3/8	GDH-64-22	
.1250-1.0625 1/8-1-1/16 3.20-27.00mm	1-3/8 1.3750-1.3747	1	GDH-88-16	LS-2
		1-3/8	GDH-88-22	

AIR FEED BUSHINGS

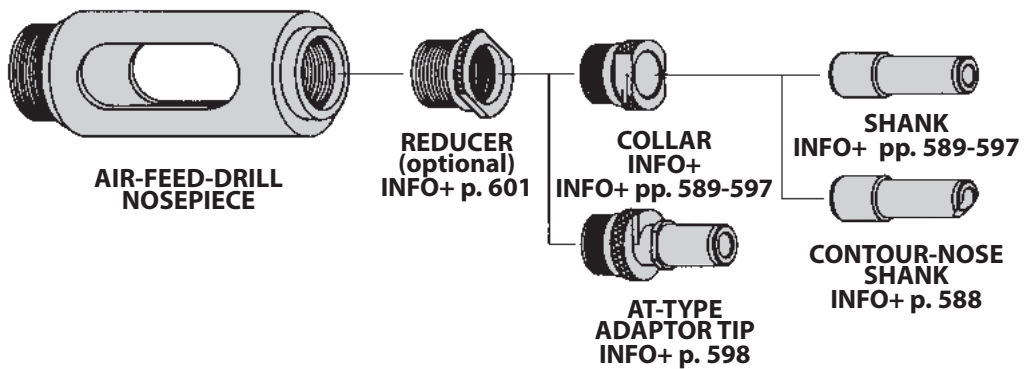


ADAPTOR TIP ASSEMBLY

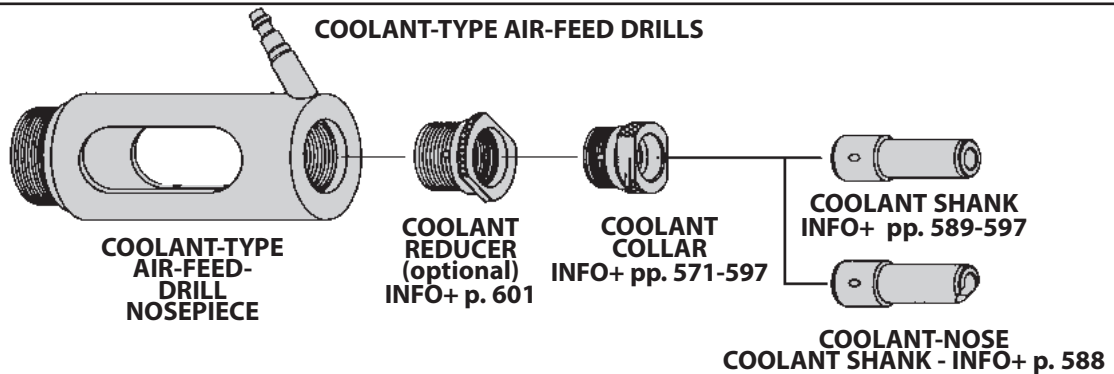


To mount air-feed drill, insert in liner and turn 30° counterclockwise to lock.

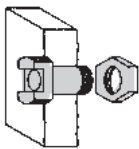
STANDARD AIR-FEED DRILLS



COOLANT-TYPE AIR-FEED DRILLS

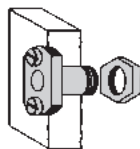


MOUNTING OPTIONS



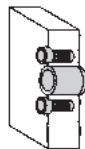
TAPER-LOK LINERS
INFO+ p. 600

New-design one-piece lock liner has angular locking surfaces for superior strength. Allows very close hole spacing. Hold in place with a lock nut. Also available knurled for installing in plastic tooling.



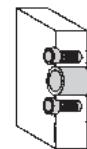
LOCK LINERS
INFO+ p. 601

Conventional lock liner incorporating two lock screws. Hold in place with a lock nut.



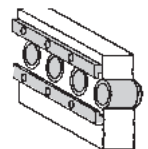
TAPER-LOK AIR-FEED LOCKSCREWS
INFO+ p. 599

New-design lock screw especially for air-feed drills. Angular locking surface for superior strength. Install two lock screws and a liner directly in jig plate.



LOCKSCREWS
INFO+ p. 599

Conventional-style lock screws. Install two lock screws and a liner bushing directly in jig plate.



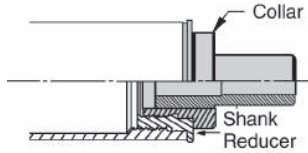
LOCK STRIPS
INFO+ p. 599

Allows the closest possible hole spacing. Use together with liner bushings.

AIR FEED BUSHINGS

APPLICATIONS:

Drill-bush shanks, collars, adaptors, and locking accessories for air-feed drills, tappers, and back-spotfacers. Available for all standard drill motors, including Gardner-Denver, Keller, Aro, Buckeye, Quackenbush, Desoutter, and Ingersoll-Rand.



CONSTRUCTION:

Adaptor-tip assemblies consist of two pieces: a locking collar and a pressed-in shank. The collar screws into the air-feed-drill nosepiece, precisely aligns the shank, and locks the drill in place by rotating 30° counter-clockwise after mounting. Shanks and collars can be ordered separately for replacement purposes.

ORDERING EXAMPLES:

A-21101-.1250	Complete adaptor-tip assembly
21101-.1250	Shank only
21000	Collar only
A-21101-.1250-C	Complete assembly with contour nose
21101-.1250-C	Shank only, with contour nose
A-11101-.1250	Coolant-type assembly
A-11101-.1250-C	Coolant-type assembly with contour nose

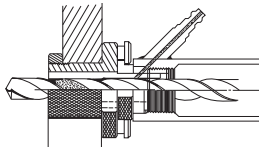
Standard prices apply only to bushings with a standard-drill-size ID within the stated ID range. See catalog back cover for standard drill sizes and their decimal equivalents. For prices on non-standard ID sizes, including reamer-tolerance and tap-guide bushings, please contact factory.

STANDARD ID TOLERANCES:

From #70 to 1/4"	+0.001/+0.004	From 1 to 3mm	+0.002/+0.008mm
Over 1/4 to 3/4"	+0.001/+0.005	Over 3 to 6mm	+0.004/+0.012mm
Over 3/4 to 1-1/2"	+0.002/+0.006	Over 6 to 10mm	+0.005/+0.014mm
		Over 10 to 18mm	+0.006/+0.017mm
AT-Type	+0.000/+0.003	Over 18 to 30mm	+0.007/+0.020mm

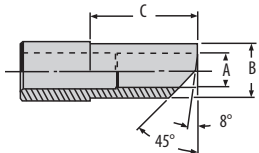
(INFO+: See page 540 for reamer ID tolerances.)

OPTIONAL COOLANT TYPE:



For coolant-inducing air-feed drills. Special shanks, collars, and reducers with internal coolant passages. Contact factory for pricing.

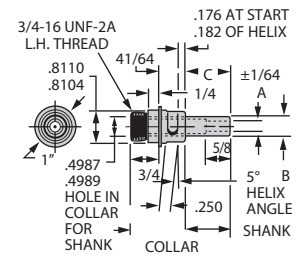
OPTIONAL CONTOUR NOSE:



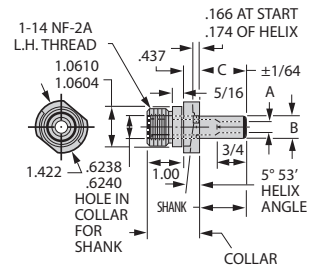
Angular-nose shank recommended for close drilling along sloped or curved surfaces. Available on standard and coolant-type shanks. To order, add "-C" suffix to part number. Contact factory for pricing.

ADAPTOR TIP ASSEMBLIES

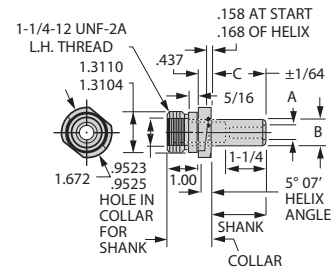
21000 SERIES



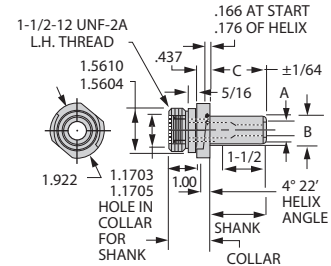
22000 SERIES



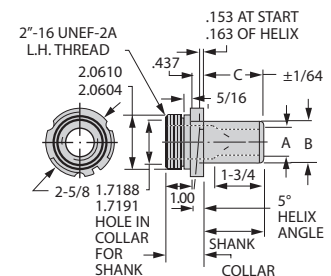
23000 SERIES



24000 SERIES



25000 SERIES



AIR FEED BUSHINGS



21000 SERIES

A ID RANGE	B OD	C LENGTH	TIP ASSEMBLY		SHANK ONLY		COLLAR ONLY		TAPER-LOK LINER PART NO. p. 600	LOCK LINER PART NO. p. 601	LOCK NUT PART NO. p. 601	TAPER-LOK LOCKSCREW PART NO. p. 599	LOCK SCREW PART NO. p. 599	LINER PART NO. p. 599	INFO++											
			STANDARD TYPE PART NO.	COOLANT TYPE PART NO.	STANDARD TYPE PART NO.	COOLANT TYPE PART NO.	STANDARD TYPE PART NO.	COOLANT TYPE PART NO.																		
.0938-.2500 3/32-1/4 2.40-6.35mm	3/8 .3748-.3745	3/8	A-21101	A-11101	21101	11101	21000	11000	TLL-16520 (Matches A-21106 tip)	A-16520 (Matches A-16500 tip)	14441			19936												
		1/2	A-21102	A-11102	21102	11102																				
		5/8	A-21103	A-11103	21103	11103																				
		3/4	A-21104	A-11104	21104	11104																				
		7/8	A-21105	A-11105	21105	11105																				
		1	A-21106	A-11106	21106	11106																				
		1-1/16	A-16500	A-11107	16500	11107																				
		1-1/8	A-21108	A-11108	21108	11108																				
		1-1/4	A-21110	A-11110	21110	11110																				
		1-3/8	A-21111	A-11111	21111	11111																				
		1-1/2	A-21113	A-11113	21113	11113																				
		1-5/8	A-21114	A-11114	21114	11114																				
		1-3/4	A-21115	A-11115	21115	11115																				
		1-7/8	A-21116	A-11116	21116	11116																				
		2	A-21118	A-11118	21118	11118																				
		2-1/8	A-21119	A-11119	21119	11119																				
		2-1/4	A-21120	A-11120	21120	11120																				
		2-3/8	A-21121	A-11121	21121	11121																				
		2-1/2	A-21122	A-11122	21122	11122																				
		2-3/4	A-21124	A-11124	21124	11124																				
		3	A-21125	A-11125	21125	11125																				
		3-1/4	A-21126	A-11126	21126	11126																				
		6	A-21131	A-11131	21131	11131																				
		.0938-.3125 3/32-5/16 2.40-7.90mm	7/16 .4373-.4370	1/2	A-21202	A-11202										21202	11202	21000	11000				CL-11-AFL or CL-13-AFL or CL-14-AFL	16531	19937	
5/8	A-21203			A-11203	21203	11203																				
3/4	A-21204			A-11204	21204	11204																				
7/8	A-21205			A-11205	21205	11205																				
1	A-21206			A-11206	21206	11206																				
1-1/8	A-21208			A-11208	21208	11208																				
1-1/4	A-21210			A-11210	21210	11210																				
1-3/8	A-21211			A-11211	21211	11211																				
1-1/2	A-21213			A-11213	21213	11213																				
1-5/8	A-21214			A-11214	21214	11214																				
1-3/4	A-21215			A-11215	21215	11215																				
1-7/8	A-21216			A-11216	21216	11216																				
2	A-21218			A-11218	21218	11218																				
2-1/8	A-21219			A-11219	21219	11219																				
2-1/4	A-21220			A-11220	21220	11220																				
2-3/8	A-21221			A-11221	21221	11221																				
2-1/2	A-21222			A-11222	21222	11222																				
2-3/4	A-21224			A-11224	21224	11224																				
3	A-21225			A-11225	21225	11225																				
3-1/4	A-21226			A-11226	21226	11226																				
3/8	A-21301			A-11301	21301	11301																				
.0938-.3750 3/32-3/8 2.40-9.50mm	1/2 .4998-.4995			1/2	A-21302	A-11302	21302	11302	21000	11000	TLL-16521 (Matches A-21306 tip)	A-16521 (Matches A-16501 tip)	14442			19938										
				5/8	A-21303	A-11303	21303	11303																		
				3/4	A-21304	A-11304	21304	11304																		
		7/8	A-21305	A-11305	21305	11305																				
		1	A-21306	A-11306	21306	11306																				
		1-1/16	A-16501	A-11307	16501	11307																				
		1-1/8	A-21308	A-11308	21308	11308																				
		1-1/4	A-21310	A-11310	21310	11310																				
		1-3/8	A-21311	A-11311	21311	11311																				
		1-1/2	A-21313	A-11313	21313	11313																				
		1-5/8	A-21314	A-11314	21314	11314																				
		1-3/4	A-21315	A-11315	21315	11315																				
		1-7/8	A-21316	A-11316	21316	11316																				
		2	A-21318	A-11318	21318	11318																				
		2-1/8	A-21319	A-11319	21319	11319																				
		2-1/4	A-21320	A-11320	21320	11320																				
		2-3/8	A-21321	A-11321	21321	11321																				
		2-1/2	A-21322	A-11322	21322	11322																				
		2-3/4	A-21324	A-11324	21324	11324																				
		3	A-21325	A-11325	21325	11325																				
		3-1/4	A-21326	A-11326	21326	11326																				
		5	A-21330	A-11330	21330	11330																				

AIR FEED BUSHINGS



22000 SERIES

A ID RANGE	B OD	C LENGTH	TIP ASSEMBLY		SHANK ONLY		COLLAR ONLY		TAPER-LOK LINER PART NO. p. 600	LOCK LINER PART NO. p. 601	LOCK NUT PART NO. p. 601	TAPER-LOK LOCKSREW PART NO. p. 599	LOCK SCREW PART NO. p. 599	LINER PART NO. p. 599			
			STANDARD TYPE PART NO.	COOLANT TYPE PART NO.	STANDARD TYPE PART NO.	COOLANT TYPE PART NO.	STANDARD TYPE PART NO.	COOLANT TYPE PART NO.									
			.1875-.2812 3/16-9/32 4.80-7.10mm	7/16 .4373-.4370	3/8	A-22101	A-12101	22101							12101		
1/2	A-22102	A-12102			22102	12102											
5/8	A-22103	A-12103			22103	12103											
3/4	A-22104	A-12104			22104	12104											
7/8	A-22105	A-12105			22105	12105											
1	A-22106	A-12106			22106	12106											
1-1/8	A-22108	A-12108			22108	12108											
1-1/4	A-22110	A-12110			22110	12110											
1-3/8	A-22111	A-12111			22111	12111											
1-1/2	A-22113	A-12113			22113	12113											
1-5/8	A-22114	A-12114			22114	12114											
1-3/4	A-22115	A-12115			22115	12115											
1-7/8	A-22116	A-12116			22116	12116											
2	A-22118	A-12118			22118	12118											
2-1/8	A-22119	A-12119			22119	12119											
2-1/4	A-22120	A-12120			22120	12120											
2-3/8	A-22121	A-12121			22121	12121											
2-1/2	A-22122	A-12122			22122	12122											
2-3/4	A-22124	A-12124			22124	12124											
3	A-22125	A-12125			22125	12125											
3-1/4	A-22126	A-12126			22126	12126											
3-1/2	A-22127	A-12127			22127	12127											
3-3/4	A-22128	A-12128			22128	12128											
4	A-22129	A-12129			22129	12129											
5	A-22130	A-12130			22130	12130											
6	A-22131	A-12131			22131	12131											
.1875-.3438 3/16-11/32 4.80-8.70mm	1/2 .4998-.4995	1/2			A-22202	A-12202	22202	12202									
		5/8			A-22203	A-12203	22203	12203									
		3/4			A-22204	A-12204	22204	12204									
		7/8			A-22205	A-12205	22205	12205									
		1			A-22206	A-12206	22206	12206	22000	12000					CL-11-AFL or CL-13-AFL or CL-14-AFL	16532	
		1-1/8			A-22208	A-12208	22208	12208									
		1-1/4	A-22210	A-12210	22210	12210											
		1-3/8	A-22211	A-12211	22211	12211											
		1-1/2	A-22213	A-12213	22213	12213											
		1-5/8	A-22214	A-12214	22214	12214											
		1-3/4	A-22215	A-12215	22215	12215											
		1-7/8	A-22216	A-12216	22216	12216											
		2	A-22218	A-12218	22218	12218											
		2-1/8	A-22219	A-12219	22219	12219											
		2-1/4	A-22220	A-12220	22220	12220											
		2-3/8	A-22221	A-12221	22221	12221											
		2-1/2	A-22222	A-12222	22222	12222											
		2-3/4	A-22224	A-12224	22224	12224											
		3	A-22225	A-12225	22225	12225											
		3-1/4	A-22226	A-12226	22226	12226											
		3-1/2	A-22227	A-12227	22227	12227											
		3-3/4	A-22228	A-12228	22228	12228											
		4	A-22229	A-12229	22229	12229											
		5	A-22230	A-12230	22230	12230											
		6	A-22231	A-12231	22231	12231											
		.1875-.4062 3/16-13/32 4.80-10.20mm	9/16 .5623-.5620	5/8	A-22303	A-12303	22303	12303									
				3/4	A-22304	A-12304	22304	12304									
				7/8	A-22305	A-12305	22305	12305									
				1	A-22306	A-12306	22306	12306									
				1-1/8	A-22308	A-12308	22308	12308									
				1-1/4	A-22310	A-12310	22310	12310									
				1-3/8	A-22311	A-12311	22311	12311									
1-1/2	A-22313			A-12313	22313	12313											
1-5/8	A-22314			A-12314	22314	12314											
1-3/4	A-22315			A-12315	22315	12315											
1-7/8	A-22316			A-12316	22316	12316											

INFO++

CONTINUED ON NEXT PAGE

AIR FEED BUSHINGS

22000 SERIES (CONT.)

A ID RANGE	B OD	C LENGTH	TIP ASSEMBLY		SHANK ONLY		COLLAR ONLY		TAPER-LOK LINER PART NO. p. 600	LOCK LINER PART NO. p. 601	LOCK NUT PART NO. p. 601	TAPER-LOK LOCKSCREW PART NO. p. 599	LOCK SCREW PART NO. p. 599	LINER PART NO. p. 599	
			STANDARD TYPE PART NO.	COOLANT TYPE PART NO.	STANDARD TYPE PART NO.	COOLANT TYPE PART NO.	STANDARD TYPE PART NO.	COOLANT TYPE PART NO.							
.1875-.4062 3/16-13/32 4.80-10.20mm	9/16 .5623-.5620	2	A-22318	A-12318	22318	12318									
		2-1/8	A-22319	A-12319	22319	12319									
		2-1/4	A-22320	A-12320	22320	12320									
		2-3/8	A-22321	A-12321	22321	12321									
		2-1/2	A-22322	A-12322	22322	12322									
		2-3/4	A-22324	A-12324	22324	12324									
		3	A-22325	A-12325	22325	12325									
		3-1/4	A-22326	A-12326	22326	12326									
		3-1/2	A-22327	A-12327	22327	12327									
		3-3/4	A-22328	A-12328	22328	12328									
		4	A-22329	A-12329	22329	12329									
		5	A-22330	A-12330	22330	12330									
		6	A-22331	A-12331	22331	12331									
				3/8	A-22401	A-12401	22401	12401							
				1/2	A-22402	A-12402	22402	12402							
				5/8	A-22403	A-12403	22403	12403							
				3/4	A-22404	A-12404	22404	12404							
				7/8	A-22405	A-12405	22405	12405							
				1	A-22406	A-12406	22406	12406							
				1-1/8	A-22408	A-12408	22408	12408							
				1-3/16	A-16502	A-12409	16502	12409							
		1-1/4	A-22410	A-12410	22410	12410									
		1-3/8	A-22411	A-12411	22411	12411									
		1-1/2	A-22413	A-12413	22413	12413									
		1-5/8	A-22414	A-12414	22414	12414									
		1-3/4	A-22415	A-12415	22415	12415									
		1-7/8	A-22416	A-12416	22416	12416									
		2	A-22418	A-12418	22418	12418									
		2-1/8	A-22419	A-12419	22419	12419									
		2-1/4	A-22420	A-12420	22420	12420									
		2-3/8	A-22421	A-12421	22421	12421									
		2-1/2	A-22422	A-12422	22422	12422									
		2-3/4	A-22424	A-12424	22424	12424									
		3	A-22425	A-12425	22425	12425									
		3-1/4	A-22426	A-12426	22426	12426									
		3-1/2	A-22427	A-12427	22427	12427									
		3-3/4	A-22428	A-12428	22428	12428									
		4	A-22429	A-12429	22429	12429									
		5	A-22430	A-12430	22430	12430									
		6	A-22431	A-12431	22431	12431									
		3/4	A-22504	A-12504	22504	12504									
		7/8	A-22505	A-12505	22505	12505									
		1	A-22506	A-12506	22506	12506									
		1-1/8	A-22508	A-12508	22508	12508									
		1-1/4	A-22510	A-12510	22510	12510									
		1-3/8	A-22511	A-12511	22511	12511									
		1-1/2	A-22513	A-12513	22513	12513									
		1-5/8	A-22514	A-12514	22514	12514									
		1-3/4	A-22515	A-12515	22515	12515									
		1-7/8	A-22516	A-12516	22516	12516									
		2	A-22518	A-12518	22518	12518									
		2-1/8	A-22519	A-12519	22519	12519									
		2-1/4	A-22520	A-12520	22520	12520									
		2-3/8	A-22521	A-12521	22521	12521									
		2-1/2	A-22522	A-12522	22522	12522									
		2-3/4	A-22524	A-12524	22524	12524									
		3	A-22525	A-12525	22525	12525									
		3-1/4	A-22526	A-12526	22526	12526									
		3-1/2	A-22527	A-12527	22527	12527									
		3-3/4	A-22528	A-12528	22528	12528									
		4	A-22529	A-12529	22529	12529									
		5	A-22530	A-12530	22530	12530									
		6	A-22531	A-12531	22531	12531									

CONTINUED FROM PRECEDING PAGE.

INFO++

TLL-16522
(Matches
A-22406
Tip)

A-16522
(Matches
A-16502
Tip)

14443

CL-11-AFL
or
CL-13-AFL
or
CL-14-AFL

16532

19939

19940

19941

22000

12000

AIR FEED BUSHINGS



23000 SERIES

A ID RANGE	B OD	C LENGTH	TIP ASSEMBLY		SHANK ONLY		COLLAR ONLY		TAPER-LOK LINER PART NO. p. 600	LOCK LINER PART NO. p. 601	LOCK NUT PART NO. p. 601	TAPER-LOK LOCKScrew PART NO. p. 599	LOCK SCREW PART NO. p. 599	LINER PART NO. p. 599										
			STANDARD TYPE PART NO.	COOLANT TYPE PART NO.	STANDARD TYPE PART NO.	COOLANT TYPE PART NO.	STANDARD TYPE PART NO.	COOLANT TYPE PART NO.																
.2500-.5312 1/4-17/32 6.30-13.50mm	3/4 .7498-.7495	3/4	A-23104	A-13104	23104	13104	23000	13000				CL-11-AFL or CL-13-AFL or CL-14-AFL	16532	19942										
		7/8	A-23105	A-13105	23105	13105																		
		1	A-23106	A-13106	23106	13106																		
		1-1/8	A-23108	A-13108	23108	13108																		
		1-1/4	A-23110	A-13110	23110	13110																		
		1-3/8	A-23111	A-13111	23111	13111																		
		1-1/2	A-23113	A-13113	23113	13113																		
		1-5/8	A-23114	A-13114	23114	13114																		
		1-3/4	A-23115	A-13115	23115	13115																		
		1-7/8	A-23116	A-13116	23116	13116																		
		2	A-23118	A-13118	23118	13118																		
		2-1/8	A-23119	A-13119	23119	13119																		
		2-1/4	A-23120	A-13120	23120	13120																		
		2-3/8	A-23121	A-13121	23121	13121																		
		2-1/2	A-23122	A-13122	23122	13122																		
		2-3/4	A-23124	A-13124	23124	13124																		
		3	A-23125	A-13125	23125	13125																		
		3-1/4	A-23126	A-13126	23126	13126																		
		3-1/2	A-23127	A-13127	23127	13127																		
		3-3/4	A-23128	A-13128	23128	13128																		
		4	A-23129	A-13129	23129	13129																		
		5	A-23130	A-13130	23130	13130																		
		6	A-23131	A-13131	23131	13131																		
		.2500-.5938 1/4-19/32 6.30-15.00mm	13/16 .8123-.8120	3/4	A-23204	A-13204									23204	13204	23000	13000				CL-11-AFL or CL-13-AFL or CL-14-AFL	16532	19943
				7/8	A-23205	A-13205									23205	13205								
				1	A-23206	A-13206									23206	13206								
1-1/8	A-23208			A-13208	23208	13208																		
1-1/4	A-23210			A-13210	23210	13210																		
1-3/8	A-23211			A-13211	23211	13211																		
1-1/2	A-23213			A-13213	23213	13213																		
1-5/8	A-23214			A-13214	23214	13214																		
1-3/4	A-23215			A-13215	23215	13215																		
1-7/8	A-23216			A-13216	23216	13216																		
2	A-23218			A-13218	23218	13218																		
2-1/8	A-23219			A-13219	23219	13219																		
2-1/4	A-23220			A-13220	23220	13220																		
2-3/8	A-23221			A-13221	23221	13221																		
2-1/2	A-23222			A-13222	23222	13222																		
2-3/4	A-23224			A-13224	23224	13224																		
3	A-23225			A-13225	23225	13225																		
3-1/4	A-23226			A-13226	23226	13226																		
3-1/2	A-23227			A-13227	23227	13227																		
3-3/4	A-23228			A-13228	23228	13228																		
4	A-23229			A-13229	23229	13229																		
5	A-23230			A-13230	23230	13230																		
6	A-23231			A-13231	23231	13231																		

INFO++

CONTINUED ON NEXT PAGE

AIR FEED BUSHINGS

23000 SERIES (CONT.)

A ID RANGE	B OD	C LENGTH	TIP ASSEMBLY		SHANK ONLY		COLLAR ONLY		TAPER-LOK LINER PART NO. p. 600	LOCK LINER PART NO. p. 601	LOCK NUT PART NO. p. 601	TAPER-LOK LOCKSCREW PART NO. p. 599	LOCK SCREW PART NO. p. 599	LINER PART NO. p. 599								
			STANDARD TYPE PART NO.	COOLANT TYPE PART NO.	STANDARD TYPE PART NO.	COOLANT TYPE PART NO.	STANDARD TYPE PART NO.	COOLANT TYPE PART NO.														
			3/4	A-23304	A-13304	23304	13304															
.2500-.6562 1/4-21/32 6.30-16.50mm	7/8 .8748-.8745	7/8	A-23305	A-13305	23305	13305			TLL-16523 (Matches A-23310 Tip)	A-16523 (Matches A-16504 Tip)	14445			19944								
		1	A-23306	A-13306	23306	13306																
		1-1/8	A-23308	A-13308	23308	13308																
		1-1/4	A-23310	A-13310	23310	13310																
		1-3/8	A-23311	A-13311	23311	13311																
		1-7/16	A-16503	A-13312	16503	13312																
		1-1/2	A-23313	A-13313	23313	13313																
		1-5/8	A-23314	A-13314	23314	13314																
		1-3/4	A-23315	A-13315	23315	13315																
		1-7/8	A-23316	A-13316	23316	13316																
		2	A-23318	A-13318	23318	13318																
		2-1/8	A-23319	A-13319	23319	13319																
		2-1/4	A-23320	A-13320	23320	13320																
		2-3/8	A-23321	A-13321	23321	13321																
		2-1/2	A-23322	A-13322	23322	13322																
		2-3/4	A-23324	A-13324	23324	13324																
		3	A-23325	A-13325	23325	13325																
		3-1/4	A-23326	A-13326	23326	13326																
		3-1/2	A-23327	A-13327	23327	13327																
		3-3/4	A-23328	A-13328	23328	13328																
		4	A-23329	A-13329	23329	13329																
		5	A-23330	A-13330	23330	13330																
		6	A-23331	A-13331	23331	13331																
		.2500-.7188 1/4-23/32 6.30-18.00mm	1 .9998-.9995	1	A-23406	A-13406	23406	13406									23000 13000			CL-11-AFL or CL-13-AFL or CL-14-AFL	16532	19945
				1-1/8	A-23408	A-13408	23408	13408														
				1-1/4	A-23410	A-13410	23410	13410														
				1-3/8	A-23411	A-13411	23411	13411														
				1-1/2	A-23413	A-13413	23413	13413														
				1-5/8	A-23414	A-13414	23414	13414														
				1-3/4	A-23415	A-13415	23415	13415														
				1-7/8	A-23416	A-13416	23416	13416														
				2	A-23418	A-13418	23418	13418														
				2-1/8	A-23419	A-13419	23419	13419														
2-1/4	A-23420			A-13420	23420	13420																
2-3/8	A-23421			A-13421	23421	13421																
2-1/2	A-23422			A-13422	23422	13422																
2-3/4	A-23424			A-13424	23424	13424																
3	A-23425			A-13425	23425	13425																
3-1/4	A-23426			A-13426	23426	13426																
3-1/2	A-23427			A-13427	23427	13427																
3-3/4	A-23428			A-13428	23428	13428																
4	A-23429			A-13429	23429	13429																
5	A-23430			A-13430	23430	13430																
6	A-23431			A-13431	23431	13431																
.2500-.7188 5/16-23/32 6.30-18.00mm	1-1/8 1.1248-1.1245			1	A-23506	A-13506	23506	13506			TTL-16524 (Matches A-23515 Tip)	A-16524 (Matches A-16504 Tip)	14446			19946						
				1-1/8	A-23508	A-13508	23508	13508														
				1-1/4	A-23510	A-13510	23510	13510														
				1-3/8	A-23511	A-13511	23511	13511														
				1-1/2	A-23513	A-13513	23513	13513														
				1-5/8	A-23514	A-13514	23514	13514														
				1-3/4	A-23515	A-13515	23515	13515														
				1-7/8	A-23516	A-13516	23516	13516														
				1-15/16	A-16504	A-13517	16504	13517														
				2	A-23518	A-13518	23518	13518														
				2-1/8	A-23519	A-13519	23519	13519														
				2-1/4	A-23520	A-13520	23520	13520														
		2-3/8	A-23521	A-13521	23521	13521																
		2-1/2	A-23522	A-13522	23522	13522																
		2-3/4	A-23524	A-13524	23524	13524																
		3	A-23525	A-13525	23525	13525																
		3-1/4	A-23526	A-13526	23526	13526																
		3-1/2	A-23527	A-13527	23527	13527																
		3-3/4	A-23528	A-13528	23528	13528																
		4	A-23529	A-13529	23529	13529																
		5	A-23530	A-13530	23530	13530																
		6	A-23531	A-13531	23531	13531																

INFO++

AIR FEED BUSHINGS



24000 SERIES










A ID RANGE	B OD	C LENGTH	TIP ASSEMBLY		SHANK ONLY		COLLAR ONLY		TAPER-LOK LINER PART NO. p. 600	LOCK LINER PART NO. p. 601	LOCK NUT PART NO. p. 601	TAPER-LOK LOCKSCREW PART NO. p. 599	LOCK SCREW PART NO. p. 599	LINER PART NO. p. 599		
			STANDARD TYPE PART NO.	COOLANT TYPE PART NO.	STANDARD TYPE PART NO.	COOLANT TYPE PART NO.	STANDARD TYPE PART NO.	COOLANT TYPE PART NO.								
.3125-.4062 5/16-13/32 8.00-10.20mm	5/8 .6248-.6245	5/8	A-24103	A-14103	24103	14103										
		3/4	A-24104	A-14104	24104	14104										
		7/8	A-24105	A-14105	24105	14105										
		1	A-24106	A-14106	24106	14106										
		1-1/8	A-24108	A-14108	24108	14108										
		1-1/4	A-24110	A-14110	24110	14110										
		1-3/8	A-24111	A-14111	24111	14111										
		1-1/2	A-24113	A-14113	24113	14113										
		1-5/8	A-24114	A-14114	24114	14114										
		1-3/4	A-24115	A-14115	24115	14115										
		1-7/8	A-24116	A-14116	24116	14116										
		2	A-24118	A-14118	24118	14118										
		2-1/8	A-24119	A-14119	24119	14119										
		2-1/4	A-24120	A-14120	24120	14120										
		2-3/8	A-24121	A-14121	24121	14121										
		2-1/2	A-24122	A-14122	24122	14122										
		2-3/4	A-24124	A-14124	24124	14124										
		3	A-24125	A-14125	24125	14125										
		3-1/4	A-24126	A-14126	24126	14126										
		3-1/2	A-24127	A-14127	24127	14127										
		3-3/4	A-24128	A-14128	24128	14128										
		4	A-24129	A-14129	24129	14129										
		5	A-24130	A-14130	24130	14130	24000						CL-11-AFL or CL-13-AFL or CL-14-AFL			
		6	A-24131	A-14131	24131	14131	14000							16532		
		.3125-.5312 5/16-17/32 8.00-13.50mm	3/4 .7498-.7495	3/4	A-24304	A-14304	24304	14304								
				7/8	A-24305	A-14305	24305	14305								
1	A-24306			A-14306	24306	14306										
1-1/8	A-24308			A-14308	24308	14308										
1-1/4	A-24310			A-14310	24310	14310										
1-3/8	A-24311			A-14311	24311	14311										
1-1/2	A-24313			A-14313	24313	14313										
1-5/8	A-24314			A-14314	24314	14314										
1-3/4	A-24315			A-14315	24315	14315										
1-7/8	A-24316			A-14316	24316	14316										
2	A-24318			A-14318	24318	14318										
2-1/8	A-24319			A-14319	24319	14319										
2-1/4	A-24320			A-14320	24320	14320										
2-3/8	A-24321			A-14321	24321	14321										
2-1/2	A-24322			A-14322	24322	14322										
2-3/4	A-24324			A-14324	24324	14324										
3	A-24325			A-14325	24325	14325										
3-1/4	A-24326			A-14326	24326	14326										
3-1/2	A-24327			A-14327	24327	14327										
3-3/4	A-24328			A-14328	24328	14328										
4	A-24329			A-14329	24329	14329										
5	A-24330			A-14330	24330	14330										
6	A-24331			A-14331	24331	14331										

INFO++

CONTINUED ON NEXT PAGE

AIR FEED BUSHINGS

24000 SERIES (CONT.)

A ID RANGE	B OD	C LENGTH																						
			TIP ASSEMBLY		SHANK ONLY		COLLAR ONLY		TAPER-LOK LINER PART NO. p. 600	LOCK LINER PART NO. p. 601	LOCK NUT PART NO. p. 601	TAPER-LOK LOCKSCREW PART NO. p. 599	LOCK SCREW PART NO. p. 599	LINER PART NO. p. 599										
			STANDARD TYPE PART NO.	COOLANT TYPE PART NO.	STANDARD TYPE PART NO.	COOLANT TYPE PART NO.	STANDARD TYPE PART NO.	COOLANT TYPE PART NO.																
.3125-.6562 5/16-21/32 8.00-16.50mm	7/8 .8745-.8748	7/8	A-24405	A-14405	24405	14405	24000	14000						19950										
		1	A-24406	A-14406	24406	14406																		
		1-1/8	A-24408	A-14408	24408	14408																		
		1-1/4	A-24410	A-14410	24410	14410																		
		1-3/8	A-24411	A-14411	24411	14411																		
		1-1/2	A-24413	A-14413	24413	14413																		
		1-5/8	A-24414	A-14414	24414	14414																		
		1-3/4	A-24415	A-14415	24415	14415																		
		1-7/8	A-24416	A-14416	24416	14416																		
		2	A-24418	A-14418	24418	14418																		
		2-1/8	A-24419	A-14419	24419	14419																		
		2-1/4	A-24420	A-14420	24420	14420																		
		2-3/8	A-24421	A-14421	24421	14421																		
		2-1/2	A-24422	A-14422	24422	14422																		
		2-3/4	A-24424	A-14424	24424	14424																		
		3	A-24425	A-14425	24425	14425																		
		3-1/4	A-24426	A-14426	24426	14426																		
		3-1/2	A-24427	A-14427	24427	14427																		
		3-3/4	A-24428	A-14428	24428	14428																		
		4	A-24429	A-14429	24429	14429																		
		5	A-24430	A-14430	24430	14430																		
		6	A-24431	A-14431	24431	14431																		
		.3125-.7812 5/16-25/32 8.00-19.50mm	1 .9998-.9995	1	A-24506	A-14506									24506	14506	24000	14000				CL-11-AFL or CL-13-AFL or CL-14-AFL	16532	19951
				1-1/8	A-24508	A-14508									24508	14508								
				1-1/4	A-24510	A-14510									24510	14510								
1-3/8	A-24511			A-14511	24511	14511																		
1-1/2	A-24513			A-14513	24513	14513																		
1-5/8	A-24514			A-14514	24514	14514																		
1-3/4	A-24515			A-14515	24515	14515																		
1-7/8	A-24516			A-14516	24516	14516																		
2	A-24518			A-14518	24518	14518																		
2-1/8	A-24519			A-14519	24519	14519																		
2-1/4	A-24520			A-14520	24520	14520																		
2-3/8	A-24521			A-14521	24521	14521																		
2-1/2	A-24522			A-14522	24522	14522																		
2-3/4	A-24524			A-14524	24524	14524																		
3	A-24525			A-14525	24525	14525																		
3-1/4	A-24526			A-14526	24526	14526																		
3-1/2	A-24527			A-14527	24527	14527																		
3-3/4	A-24528			A-14528	24528	14528																		
4	A-24529			A-14529	24529	14529																		
5	A-24530			A-14530	24530	14530																		
6	A-24531			A-14531	24531	14531																		
.3125-.9062 5/16-29/32 8.00-23.00mm	1-1/8 1.1248-1.1245			1	A-24606	A-14606	24606	14606	24000	14000	TLL-16525 (Matches A-24615 Tip)	A-16525 (Matches A-16505 Tip)	14446		19946									
				1-1/8	A-24608	A-14608	24608	14608																
				1-1/4	A-24610	A-14610	24610	14610																
				1-3/8	A-24611	A-14611	24611	14611																
		1-1/2	A-24613	A-14613	24613	14613																		
		1-5/8	A-24614	A-14614	24614	14614																		
		1-3/4	A-24615	A-14615	24615	14615																		
		1-7/8	A-24616	A-14616	24616	14616																		
		1-15/16	A-16505	A-14617	16505	14617																		
		2	A-24618	A-14618	24618	14618																		
		2-1/8	A-24619	A-14619	24619	14619																		
		2-1/4	A-24620	A-14620	24620	14620																		
		2-3/8	A-24621	A-14621	24621	14621																		
		2-1/2	A-24622	A-14622	24622	14622																		
		2-3/4	A-24624	A-14624	24624	14624																		
		3	A-24625	A-14625	24625	14625																		
		3-1/4	A-24626	A-14626	24626	14626																		
		3-1/2	A-24627	A-14627	24627	14627																		
		3-3/4	A-24628	A-14628	24628	14628																		
		4	A-24629	A-14629	24629	14629																		
		5	A-24630	A-14630	24630	14630																		
		6	A-24631	A-14631	24631	14631																		

INFO++

CONTINUED ON NEXT PAGE

AIR FEED BUSHINGS

24000 SERIES (CONT.)

A ID RANGE	B OD	C LENGTH	TIP ASSEMBLY		SHANK ONLY		COLLAR ONLY		TAPER-LOK LINER PART NO. p. 600	LOCK LINER PART NO. p. 601	LOCK NUT PART NO. p. 601	TAPER-LOK LOCKSREW PART NO. p. 599	LOCK SCREW PART NO. p. 599	LINER PART NO. p. 599
			STANDARD TYPE PART NO.	COOLANT TYPE PART NO.	STANDARD TYPE PART NO.	COOLANT TYPE PART NO.	STANDARD TYPE PART NO.	COOLANT TYPE PART NO.						
.3125-.9375 5/16-15/16 8.00-23.50mm	1-1/4 1.2498-1.2495	1-1/4	A-24710	A-14710	24710	14710	24000	14000				CL-11-AFL or CL-13-AFL or CL-14-AFL	19952	
		1-3/8	A-24711	A-14711	24711	14711								
		1-1/2	A-24713	A-14713	24713	14713								
		1-5/8	A-24714	A-14714	24714	14714								
		1-3/4	A-24715	A-14715	24715	14715								
		1-7/8	A-24716	A-14716	24716	14716								
		2	A-24718	A-14718	24718	14718								
		2-1/8	A-24719	A-14719	24719	14719								
		2-1/4	A-24720	A-14720	24720	14720								
		2-3/8	A-24721	A-14721	24721	14721								
		2-1/2	A-24722	A-14722	24722	14722								
		2-3/4	A-24724	A-14724	24724	14724								
		3	A-24725	A-14725	24725	14725								
		3-1/4	A-24726	A-14726	24726	14726								
		3-1/2	A-24727	A-14727	24727	14727								
		3-3/4	A-24728	A-14728	24728	14728								
		4	A-24729	A-14729	24729	14729								
		5	A-24730	A-14730	24730	14730								
		6	A-24731	A-14731	24731	14731								
		1	A-24806	A-14806	24806	14806								
		1-3/8	A-24811	A-14811	24811	14811								
		1-1/2	A-24813	A-14813	24813	14813								
		1-5/8	A-24814	A-14814	24814	14814								
		1-3/4	A-24815	A-14815	24815	14815								
1-7/8	A-24816	A-14816	24816	14816										
1-15/16	A-16506	A-14817	16506	14817										
2	A-24818	A-14818	24818	14818										
2-1/8	A-24819	A-14819	24819	14819										
2-1/4	A-24820	A-14820	24820	14820										
2-3/8	A-24821	A-14821	24821	14821										
2-1/2	A-24822	A-14822	24822	14822										
2-3/4	A-24824	A-14824	24824	14824										
3	A-24825	A-14825	24825	14825										
3-1/4	A-24826	A-14826	24826	14826										
3-1/2	A-24827	A-14827	24827	14827										
3-3/4	A-24828	A-14828	24828	14828										
4	A-24829	A-14829	24829	14829										
5	A-24830	A-14830	24830	14830										
6	A-24831	A-14831	24831	14831										

INFO++



25000 SERIES

.3750-1.0312 3/8-1-1/32 9.50-26.00mm	1-1/4 1.2498-1.2495	1-1/4	A-25110	A-15110	25110	15110	25000	15000				CL-12-AFL	16530	19953
		1-3/8	A-25111	A-15111	25111	15111								
		1-1/2	A-25113	A-15113	25113	15113								
		1-5/8	A-25114	A-15114	25114	15114								
		1-3/4	A-25115	A-15115	25115	15115								
		1-7/8	A-25116	A-15116	25116	15116								
		2	A-25118	A-15118	25118	15118								
		2-1/8	A-25119	A-15119	25119	15119								
		2-1/4	A-25120	A-15120	25120	15120								
		2-3/8	A-25121	A-15121	25121	15121								
		2-1/2	A-25122	A-15122	25122	15122								
		2-3/4	A-25124	A-15124	25124	15124								
		3	A-25125	A-15125	25125	15125								
		3-1/4	A-25126	A-15126	25126	15126								
		3-1/2	A-25127	A-15127	25127	15127								
		3-3/4	A-25128	A-15128	25128	15128								
		4	A-25129	A-15129	25129	15129								
		5	A-25130	A-15130	25130	15130								
		6	A-25131	A-15131	25211	15131								

13

AIR FEED BUSHINGS

25000 SERIES (CONT.)

A ID RANGE	B OD	C LENGTH	TIP ASSEMBLY		SHANK ONLY		COLLAR ONLY		TAPER-LOK LINER PART NO. p. 600	LOCK LINER PART NO. p. 601	LOCK NUT PART NO. p. 601	TAPER-LOK LOCKSCREW PART NO. p. 599	LOCK SCREW PART NO. p. 599	LINER PART NO. p. 599		
			STANDARD TYPE PART NO.	COOLANT TYPE PART NO.	STANDARD TYPE PART NO.	COOLANT TYPE PART NO.	STANDARD TYPE PART NO.	COOLANT TYPE PART NO.								
.3750-1.1562 3/8-1-5/32 9.50-29.00mm	1-3/8 1.3748-1.3745	1-3/8	A-25211	A-15211	25213	15211										
		1-1/2	A-25213	A-15213	25214	15213										
		1-5/8	A-25214	A-15214	25215	15214										
		1-3/4	A-25215	A-15215	25216	15215										
		1-7/8	A-25216	A-15216	25218	15216										
		2	A-25218	A-15218	25219	15218										
		2-1/8	A-25219	A-15219	25220	15219										
		2-1/4	A-25220	A-15220	25221	15220										
		2-3/8	A-25221	A-15221	25222	15221										
		2-1/2	A-25222	A-15222	25224	15222										
		2-3/4	A-25224	A-15224	25225	15224										
		3	A-25225	A-15225	25226	15225										
		3-1/4	A-25226	A-15226	25227	15226										
		3-1/2	A-25227	A-15227	25228	15227										
		3-3/4	A-25228	A-15228	25229	15228										
		4	A-25229	A-15229	25230	15229										
		5	A-25230	A-15230	25231	15230										
		6	A-25231	A-15231	25313	15231										
		.3750-1.2812 3/8-1-9/32 9.50-32.00mm	1-1/2 1.4998-1.4995	1-1/2	A-25313	A-15313	25314	15313								
				1-5/8	A-25314	A-15314	25315	15314								
1-3/4	A-25315			A-15315	25316	15315										
1-7/8	A-25316			A-15316	25318	15316										
2	A-25318			A-15318	25319	15318										
2-1/8	A-25319			A-15319	25320	15319										
2-1/4	A-25320			A-15320	25321	15320										
2-3/8	A-25321			A-15321	25322	15321										
2-1/2	A-25322			A-15322	25324	15322										
2-3/4	A-25324			A-15324	25325	15324										
3	A-25325			A-15325	25326	15325										
3-1/4	A-25326			A-15326	25327	15326										
3-1/2	A-25327			A-15327	25328	15327										
3-3/4	A-25328			A-15328	25329	15328										
4	A-25329			A-15329	25330	15329										
5	A-25330			A-15330	25331	15330										
6	A-25331	A-15331	25415	15331												
.3750-1.4688 3/8-1-15/32 9.50-37.00mm	1-3/4 1.7498-1.7495	1-3/4	A-25415	A-15415	25416	15415										
		1-7/8	A-25416	A-15416	25418	15416										
		2	A-25418	A-15418	25419	15418										
		2-1/8	A-25419	A-15419	25420	15419										
		2-1/4	A-25420	A-15420	25421	15420										
		2-3/8	A-25421	A-15421	25422	15421										
		2-1/2	A-25422	A-15422	25424	15422										
		2-3/4	A-25424	A-15424	25425	15424										
		3	A-25425	A-15425	25426	15425										
		3-1/4	A-25426	A-15426	25427	15426										
		3-1/2	A-25427	A-15427	25428	15427										
		3-3/4	A-25428	A-15428	25429	15428										
		4	A-25429	A-15429	25430	15429										
		5	A-25430	A-15430	25431	15430										
6	A-25431	A-15431	25518	15431												
.3750-1.4688 3/8-1-15/32 9.50-37.00mm	2 1.9998-1.9995	2	A-25518	A-15518	16513	15518										
		2-5/8	A-16513	A-15523	25524	15523										
		2-3/4	A-25524	A-15524	25525	15524										
		3	A-25525	A-15525	25526	15525										
		3-1/4	A-25526	A-15526	25527	15526										
		3-1/2	A-25527	A-15527	25528	15527										
		3-3/4	A-25528	A-15528	25529	15528										
		4	A-25529	A-15529	25530	15529										
		5	A-25530	A-15530	25531	15530										
		6	A-25531	A-15531		15531										

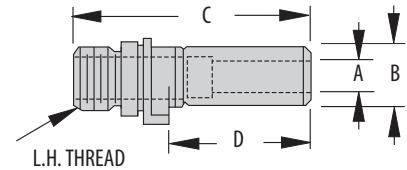
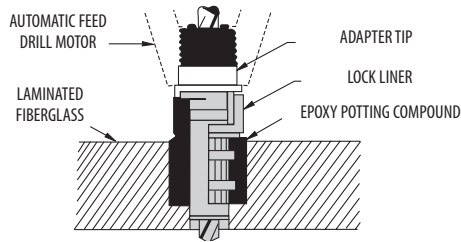
INFO++

AIR FEED BUSHINGS

AT-TYPE ONE-PIECE ADAPTER TIPS



ADAPTER TIP



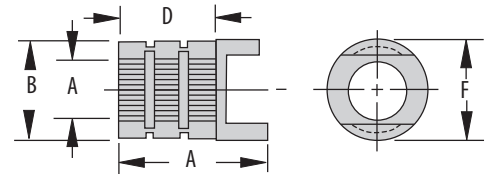
AT-series adapter tips are one-piece adapters primarily for fiberglass and plastic tooling. They are used with AT-series knurled liners, and are not compatible with any other liners or air-feed accessories. AT-series bushings are available in 3/4-16 and 1"-14 mounting-thread sizes, in a total of four OD sizes, to fit drill diameters from .1910" to .6250".

AT-TYPE ADAPTER TIPS

PART NO.	A ID RANGE	B OD	C	D	L.H. THREAD
AT-1	.1910-.2055 #11-#5	11/32 .3437-.3435	2-7/16	1-9/16	3/4-16
AT-2	.1910-.2850 #11-9/32	7/16 .4375-.4373			
AT-3	.2810-.4130 K-Z	9/16 .5625-.5623			
AT-4	.2810-.6250 K-5/8	3/4 .7500-.7498			1-14



LOCK LINER



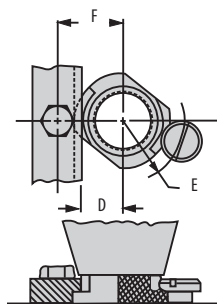
13 Precision knurled liner bushing for mounting air-feed drills in fiberglass or plastic tooling. AT-series knurled lock liners are designed especially for AT-series one-piece adapter tips, and are not compatible with any other liners or air-feed accessories. Press-fit AT-series liners are available as specials. Available in four sizes.

AT-TYPE LOCK LINERS

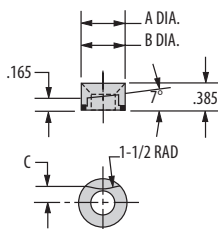
PART NO.	A ID RANGE	B OD	C	D	F DIA
LL-1	11/32 .3440-.3443	9/16	1-3/8	7/8	11/16
LL-2	7/16 .4377-.4380	11/16			13/16
LL-3	9/16 .5627-.5630	13/16			15/16
LL-4	3/4 .7503-.7506	1			1-1/8

AIR FEED BUSHINGS

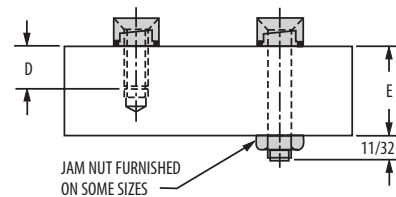
MOUNTING DIMENSIONS FOR LOCKSCREWS AND LOCK STRIPS



DIMENSION	21000 SERIES	22000 SERIES	23000 SERIES	24000 SERIES	25000 SERIES
D	.312	.609	.734	.859	—
E	.625	.922	1.047	1.172	1.562
F	.687	.984	1.109	1.234	—



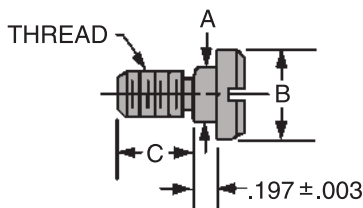
TAPER-LOK AIR-FEED LOCKSCREWS



Angular locking surface mates perfectly with air-feed collars. Use instead of standard lock screws for greater strength . . . eliminates worn, bent, or broken lock screws caused by point contact. Serrations at bottom bite into the fixture plate to positively prevent rotation under heavy torque loads. Alloy steel mounting screws furnished. **Patent no. 3,336,822.**

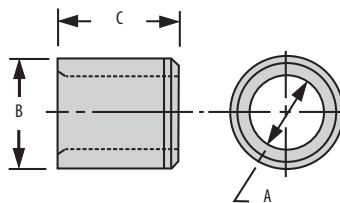
PART NO.	MOUNTING SCREW DIA.	MOUNTING SCREW	A DIA	B DIA	C	D	E	REPLACES STANDARD LOCKSCREW
CL-9-AFL	5/16	Not Furnished	5/8	19/32	3/16	—	—	—
CL-11-AFL		5/16-18x1.00				19/32	—	16531 & 16532
CL-13-AFL		5/16-18x1.50 w/Jam Nut				1-3/32	3/4	—
CL-14-AFL		5/16-18x2.00 w/Jam Nut				1-19/32	1-1/4	—
CL-10-AFL	3/8	Not Furnished	3/4	23/32	7/32	—	—	—
CL-12-AFL		3/8-16x1.00				19/32	—	16530

LOCKSCREWS



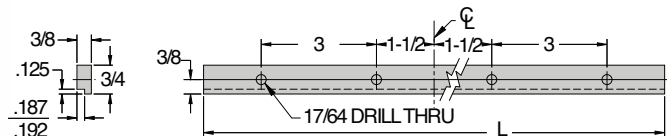
PART NO. (PACK OF 5)	A DIA	B DIA	C	B THREAD
16531-PACKOF5	3/8	5/8	5/16	5/16-18
16532-PACKOF5			7/16	3/8-16
16530-PACKOF5	7/16	3/4	5/8	3/8-16

LINERS



PART NO.	A ID	B OD	C LENGTH
19936	3/8	5/8	1
19937	7/16	3/4	1
19938	1/2		
19939	9/16	7/8	1
19940	5/8		1-3/4
19947			1
19941	3/4	1	1-3/8
19942	3/4	1	1-3/4
19949			1-3/4
19943	13/16	1-3/8	1-3/8
19944	7/8		1-3/4
19950	1		1-3/8
19945			1-3/8
19951	1-1/8	1-3/4	1-3/4
19946	1-1/4		2-1/2
19952	1-3/8		2-1/2
19953	1-1/2	2-1/4	2-1/2
19954	1-3/4		
19955	1-1/2	2-1/4	2-1/2
19956	1-3/4		

LOCK STRIPS



PART NO.	L OVERALL LENGTH	NO. OF HOLES
LSM-12	12	4
LSM-24	24	8
LSM-36	36	12

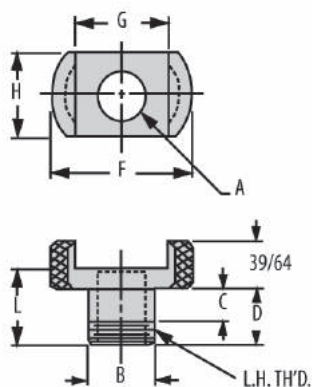
AIR FEED BUSHINGS

TAPER-LOK LINERS



PRESS FIT

Precision liner bushing for mounting air-feed drills through a jig plate. One-piece design has two angled locking surfaces to lock the drill motor in place, for superior strength. Milled flats allow close hole spacing. Press fit into jig plate, then fasten from behind with a Lock Nut (order separately). Optional heavy-duty type has precisely machined helical locking surfaces that mate exactly with the air-feed collar for added impact resistance. **Patent no. 3,015,242.** Available for 21000 through 24000 series air-feed drills (not 25000 series).



PRESS FIT – STANDARD

PART NO.	A DIA	B DIA	C	D	F DIA	G	H	L	L.H. THREAD	MATCHING LOCK NUT	MATCHING ADAPTOR TIP
TLL-16520	.3750 .3755	.4995 .4990	7/16	3/4	1-1/8	.625	3/4	1	1/2-20	14441	A-21106
TLL-16521	.5000 .5005	.7495 .7490	7/16	3/4	1-3/16	.625	7/8	1	3/4-16	14442	A-21306
TLL-16522	.6250 .6255	.8745 .8740	7/16	3/4	1-13/16	1.218	1-1/8	1	7/8-14	14443	A-22406
TLL-16523	.8750 .8756	1.2495 1.2490	9/16	1	2-1/8	1.468	1-3/8	1-1/4	1-1/4-12	14445	A-23310
TLL-16524	1.1252 1.1258	1.4990 1.4985	27/32	1-1/2	2-1/8	1.468	1-5/8	1-3/4	1-1/2-12	14446	A-23515
TLL-16525	1.1252 1.1258	1.4990 1.4985			2-7/16	1.718					A-24615
TLL-16526	1.5002 1.5008	1.9990 1.9985	27/32	1-1/2	2-7/16	1.718	2-1/2	1-3/4	2"-16	14447	A-24815

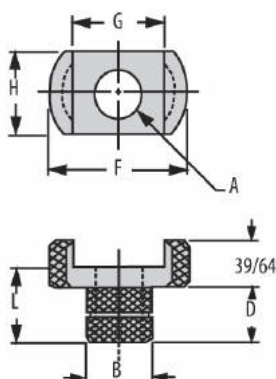
PRESS FIT – HEAVY DUTY

PART NO.	A DIA	B DIA	C	D	F DIA	G	H	L	L.H. THREAD	MATCHING LOCK NUT	MATCHING ADAPTOR TIP
HLL-16520	.3750 .3755	.4995 .4990	7/16	3/4	1-1/8	.625	3/4	1	1/2-20	14441	A-21106
HLL-16521	.5000 .5005	.7495 .7490	7/16	3/4	1-3/16	.625	7/8	1	3/4-16	14442	A-21306
HLL-16522	.6250 .6255	.8745 .8740	7/16	3/4	1-13/16	1.218	1-1/8	1	7/8-14	14443	A-22406
HLL-16523	.8750 .8756	1.2495 1.2490	9/16	1	2-1/8	1.468	1-3/8	1-1/4	1-1/4-12	14445	A-23310
HLL-16524	1.1252 1.1258	1.4990 1.4985	27/32	1-1/2	2-1/8	1.468	1-5/8	1-3/4	1-1/2-12	14446	A-23515
HLL-16525	1.1252 1.1258	1.4990 1.4985			2-7/16	1.718					A-24615
HLL-16526	1.5002 1.5008	1.9990 1.9985	27/32	1-1/2	2-7/16	1.718	2-1/2	1-3/4	2"-16	14447	A-24815



KNURLED

Precision knurled liner bushing for mounting air-feed drills in fiberglass or plastic tooling. One-piece design has two angled locking surfaces to lock the drill motor in place, for superior strength. Optional heavy-duty type has precisely machined helical locking surfaces that mate exactly with the air-feed collar for added impact resistance. Milled flats allow close hole spacing. Available for 21000 and 22000 series air-feed drills. **Patent no. 3,015,242.**



KNURLED – STANDARD

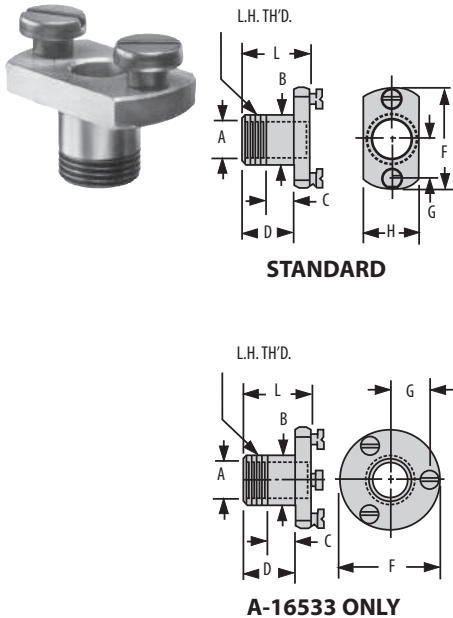
PART NO.	A DIA	B DIA	D	F DIA	G	H	L	MATCHING ADAPTOR TIP
TLD-375	.3750	3/4	7/8	1-3/16	.625	7/8	1-1/8	A-21108
	.3755							
TLD-500	.5000	3/4	7/8	1-3/16	.625	7/8	1-1/8	A-21308
	.5005							
TLD-750	.7500	1-1/8	7/8	1-13/16	1.218	1-1/8	1-1/8	A-22508
	.7505							

KNURLED – HEAVY DUTY

PART NO.	A DIA	B DIA	D	F DIA	G	H	L	MATCHING ADAPTOR TIP
HLD-375	.3750	3/4	7/8	1-3/16	.625	7/8	1-1/8	A-21108
	.3755							
HLD-500	.5000	3/4	7/8	1-3/16	.625	7/8	1-1/8	A-21308
	.5005							
HLD-750	.7500	1-1/8	7/8	1-13/16	1.218	1-1/8	1-1/8	A-22508
	.7505							

AIR FEED BUSHINGS

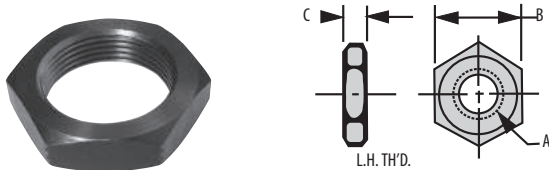
LOCK LINERS



Precision liner bushing for mounting air-feed drills through a jig plate. The large head holds two standard Lockscrews, to lock the drill motor in place. Milled flats allow close hole spacing. Press fit into jig plate, then fasten from behind with a Lock Nut (order separately). Available for 21000 through 25000 series air-feed drills.

PART NO.	A DIA	B DIA	C	D	F DIA	G	H	L	L.H. THREAD	MATCHING LOCK NUT	MATCHING ADAPTOR TIP
.3750	.3750 .3756	.4995 .4989	7/16	3/4	1-3/4	5/8	3/4	1-1/16	1/2-20	14441	A-16500
.5000	.5000 .5006	.7495 .7489	7/16	3/4	1-3/4	5/8	1	1-1/16	3/4-16	14442	A-16501
.6250	.6250 .6256	.8745 .8739	7/16	3/4	2-7/16	59/64	1-1/8	1-3/16	7/8-14	14443	A-16502
.8750	.8750 .8756	1.2495 1.2485	9/16	1	2-11/16	1-3/64	1-1/2	1-7/16	1-1/4-12	14445	A-16503
1.1250	1.1250 1.1260	1.4990 1.4980	27/32	1-1/2	2-11/16	1-3/64	1-3/4	1-15/16	1-1/2-12	14446	A-16504
1.1250	1.1250 1.1260	1.4990 1.4980	27/32	1-1/2	3	1-11/64	1-3/4	1-15/16	1-1/2-12	14446	A-16505
1.5000	1.5000 1.5010	1.9990 1.9980	27/32	1-1/2	3	1-11/64	2-1/2	1-15/16	2"-16	14447	A-16506
2.0000	2.0000 2.0015	2.4990 2.4980	1-3/8	2	3-3/4	1-9/16	—	2-5/8	2-1/2-16	14448	A-16513

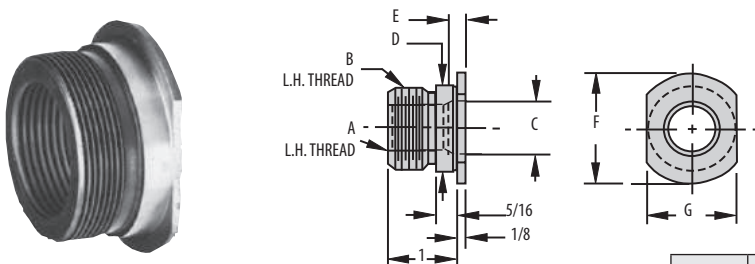
LOCK NUTS



These fine-thread Lock Nuts fit the entire range of standard lock liners. Lock Liners press fit into the jig plate, then fasten from behind with a Lock Nut.

LOCK NUT PART NO.	A (THREAD SIZE)	B	C
14441	1/2-20	3/4	1/4
14442	3/4-16	1	1/4
14443	7/8-14	1-1/4	1/4
14445	1-1/4-12	1-3/4	3/8
14446	1-1/2-12	2	1/2
14447	2-16	2-1/2	1/2
14448	2-1/2-16	3	1/2

REDUCERS



These Reducers allow mounting a smaller-series air-feed adaptor tip on a larger-series drill motor. Available for either standard or coolant-type air-feed drills. Available for 22000 through 25000 series air-feed drill motors. Two Reducers can be used together to step down several sizes.

PART NO. STANDARD TYPE	PART NO. COOLANT TYPE	A INSIDE THREAD	B OUTSIDE THREAD	C DIA	D DIA	E	F DIA	G*
17952	A-17952	3/4-16	1-14	.8125	1.0610-1.0604	9/32	1-3/8	1-1/16
25018	A-25018		1-1/4-12		1.3110-1.3104		1-5/8	1-5/16
25582	A-25582		1-1/2-12		1.5610-1.5604		1-15/16	1-9/16
25583	A-25583	1-1/4	1-1/4-12	1.0625	1.3110-1.3104	11/32	1-5/8	1-5/16
20132	A-20132		1-1/2-12		1.5610-1.5604		1-15/16	1-9/16
20017	A-20017	1-1/4-12	1-1/2-12	1.3125	1.5610-1.5604	11/32	1-15/16	1-9/16
27910	A-27910	1-1/2-12	2-16	1.5625	2.0610-2.0604	11/32	2-1/2	2-1/16

* Coolant type does not have wrench flats.

INCH DRILL SIZES

Drill/Decimal	Drill/Decimal	Drill/Decimal
80 .0135	9/64 .1406	23/64 .3594
79 .0145	27 .1440	U .3680
1/64 .0156	26 .1470	3/8 .3750
78 .0160	25 .1495	V .3770
77 .0180	24 .1520	W .3860
76 .0200	23 .1540	25/64 .3906
75 .0210	5/32 .1562	X .3970
74 .0225	22 .1570	Y .4040
73 .0240	21 .1590	13/32 .4062
72 .0250	20 .1610	Z .4130
71 .0260	19 .1660	27/64 .4219
70 .0280	18 .1695	7/16 .4375
69 .0292	11/64 .1719	29/64 .4531
68 .0310	17 .1730	15/32 .4688
1/32 .0312	16 .1770	31/64 .4844
67 .0320	15 .1800	1/2 .5000
66 .0330	14 .1820	33/64 .5156
65 .0350	13 .1850	17/32 .5312
64 .0360	3/16 .1875	35/64 .5469
63 .0370	12 .1890	9/16 .5625
62 .0380	11 .1910	37/64 .5781
61 .0390	10 .1935	19/32 .5938
60 .0400	9 .1960	39/64 .6094
59 .0410	8 .1990	5/8 .6250
58 .0420	7 .2010	41/64 .6406
57 .0430	13/64 .2031	21/32 .6562
56 .0465	6 .2040	43/64 .6719
3/64 .0469	5 .2055	11/16 .6875
55 .0520	4 .2090	45/64 .7031
54 .0550	3 .2130	23/32 .7188
53 .0595	7/32 .2188	47/64 .7344
1/16 .0625	2 .2210	3/4 .7500
52 .0635	1 .2280	49/64 .7656
51 .0670	A .2340	25/32 .7812
50 .0700	15/64 .2344	51/64 .7969
49 .0730	B .2380	13/16 .8125
48 .0760	C .2420	53/64 .8281
5/64 .0781	D .2460	27/32 .8438
47 .0785	E .2500	55/64 .8594
46 .0810	1/4 .2500	7/8 .8750
45 .0820	F .2570	57/64 .8906
44 .0860	G .2610	29/32 .9062
43 .0890	17/64 .2656	59/64 .9219
42 .0935	H .2660	15/16 .9375
3/32 .0938	I .2720	61/64 .9531
41 .0960	J .2770	31/32 .9688
40 .0980	K .2810	63/64 .9844
39 .0995	9/32 .2812	1 .1000
38 .1015	L .2900	
37 .1040	M .2950	+64th
36 .1065	19/64 .2969	increments up to
7/64 .1094	N .3020	1-7/8"
35 .1100	5/16 .3125	
34 .1110	O .3160	+32nd
33 .1130	P .3230	increments up to
32 .1160	21/64 .3281	2-1/4"
31 .1200	Q .3320	
1/8 .1250	R .3390	+16th
30 .1285	11/32 .3438	increments up to
29 .1360	S .3480	4-1/4"
28 .1405	T .3580	

METRIC DRILL SIZES

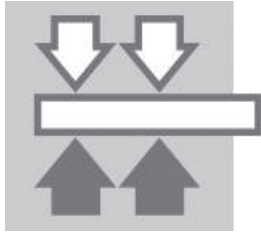
Drill/Decimal	Drill/Decimal	Drill/Decimal
.35mm .0138	3.60mm .1417	8.70mm .3425
.38mm .0150	3.70mm .1457	8.75mm .3445
.40mm .0157	3.75mm .1476	8.80mm .3465
.42mm .0165	3.80mm .1496	8.90mm .3504
.45mm .0177	3.90mm .1535	9.00mm .3543
.48mm .0189	4.00mm .1575	9.10mm .3583
.50mm .0197	4.10mm .1614	9.20mm .3622
.55mm .0217	4.20mm .1654	9.25mm .3642
.60mm .0236	4.25mm .1673	9.30mm .3661
.65mm .0256	4.30mm .1693	9.40mm .3701
.70mm .0276	4.40mm .1732	9.50mm .3740
.75mm .0295	4.50mm .1772	9.60mm .3780
.80mm .0315	4.60mm .1811	9.70mm .3819
.85mm .0335	4.70mm .1850	9.75mm .3839
.90mm .0354	4.75mm .1870	9.80mm .3858
.95mm .0374	4.80mm .1890	9.90mm .3898
1.00mm .0394	4.90mm .1929	10.00mm .3937
1.05mm .0413	5.00mm .1969	10.20mm .4016
1.10mm .0433	5.10mm .2008	10.50mm .4134
1.15mm .0453	5.20mm .2047	10.80mm .4252
1.20mm .0472	5.25mm .2067	11.00mm.4331
1.25mm .0492	5.30mm .2087	11.20mm .4409
1.30mm .0512	5.40mm .2126	11.50mm .4528
1.35mm .0531	5.50mm .2165	11.80mm .4646
1.40mm .0551	5.60mm .2205	12.00mm .4724
1.45mm .0571	5.70mm .2244	12.20mm .4803
1.50mm .0591	5.75mm .2264	12.50mm .4921
1.55mm .0610	5.80mm .2283	13.00mm .5118
1.60mm .0630	5.90mm .2323	13.50mm .5315
1.65mm .0650	6.00mm .2362	14.00mm .5512
1.70mm .0669	6.10mm .2402	14.50mm .5709
1.75mm .0689	6.20mm .2441	15.00mm .5906
1.80mm .0709	6.25mm .2461	15.50mm .6102
1.85mm .0728	6.30mm .2480	16.00mm .6299
1.90mm .0748	6.40mm .2520	16.50mm .6496
1.95mm .0768	6.50mm .2559	17.00mm .6693
2.00mm .0787	6.60mm .2598	17.50mm .6890
2.05mm .0807	6.70mm .2638	18.00mm .7087
2.10mm .0827	6.75mm .2657	18.50mm .7283
2.15mm .0846	6.80mm .2677	19.00mm .7480
2.20mm .0866	6.90mm .2717	19.50mm .7677
2.25mm .0886	7.00mm .2756	20.00mm .7874
2.30mm .0906	7.10mm .2795	20.50mm .8071
2.35mm .0925	7.20mm .2835	21.00mm .8268
2.40mm .0945	7.25mm .2854	21.50mm .8465
2.45mm .0965	7.30mm .2874	22.00mm .8661
2.50mm .0984	7.40mm .2913	22.50mm .8858
2.55mm .1004	7.50mm .2953	23.00mm .9055
2.60mm .1024	7.60mm .2992	23.50mm .9252
2.65mm .1043	7.70mm .3031	24.00mm .9449
2.70mm .1063	7.75mm .3051	24.50mm .9646
2.75mm .1083	7.80mm .3071	25.00mm.9843
2.80mm .1102	7.90mm .3110	
2.90mm .1142	8.00mm .3150	+1.00mm
3.00mm .1181	8.10mm .3189	increments
3.10mm .1220	8.20mm .3228	up to 48mm
3.20mm .1260	8.25mm .3248	
3.25mm .1280	8.30mm .3268	+5.00mm
3.30mm .1299	8.40mm .3307	increments
3.40mm .1339	8.50mm .3346	from 50mm
3.50mm .1378	8.60mm .3386	up to 105mm

TAP GUIDE SIZES

(Priced as specials)

Tap Size*	Tap Guide Nominal ID Size	Tap Drill Size**
#0-80	.0616	3/64
#2-56	.0883	#50
#2-64	.0880	#50
#4-40	.1152	#43
#4-48	.1147	#42
#5-40	.1282	#38
#5-44	.1280(3.25mm)	#37
#6-32	.1421	#36
#6-40	.1412	#33
#8-32	.1681	#29
#8-36	.1676	#29
#10-24	.1954	#25
#10-32	.1941	#21
1/4-20	.2565	#7
1/4-28	.2546	#3
5/16-18	.3197	F
5/16-24	.3179	I
3/8-16	.3831	5/16
3/8-24	.3804	Q
7/16-14	.4468	U
7/16-20	.4440	25/64
1/2-13	.5100	27/64
1/2-20	.5065	29/64
9/16-12	.5733	31/64
9/16-18	.5697	33/64
5/8-11	.6368	17/32
5/8-18	.6322	37/64
3/4-10	.7630	21/32
3/4-16	.7581	11/16
7/8-9	.8894	49/64
7/8-14	.8843	13/16
1-8	1.0162	7/8
1-14	1.0093	15/16
METRIC		
M1.6x0.35	.0651	1.25mm or #55
M2x0.4	.0810 (#46)	1.60mm or #52
M2.5x0.45	.1008	2.05mm or #46
M3x0.5	.1207	2.50mm or #39
M3.5x0.6	.1407	2.90mm or #32
M4x0.7	.1613	3.30mm or #30
M5x0.8	.2010 (#7)	4.20mm or #19
M6x1	.2410	5.00mm or #8
M8x1.25	.3214	6.80mm or H
M8x1	.3197	7.00mm or J
M10x1.5	.4009	8.50mm or R
M10x1.25	.4002	8.80mm or 11/32
M12x1.75	.4805	10.20mm or 13/32
M12x1.25	.4789	10.80mm or 27/64
M14x2	.5600	12.00mm or 15/32
M14x1.5	.5584	12.50mm or 1/2
M16x2	.6387	14.00mm or 35/64
M16x1.5	.6372	14.50mm or 37/64
M18x2.5	.7191	15.50mm or 39/64
M18x1.5	.7159	16.50mm or 21/32
M20x2.5	.7978	17.50mm or 11/16
M20x1.5	.7946	18.50mm or 47/64
M22x2.5	.8765	19.50mm or 49/64
M22x1.5	.8734	20.50mm or 13/16
M24x3	.9583	21.00mm or 53/64
M24x2	.9537	22.00mm or 7/8

* Coarse series shown in bold. Pitch callout not required on metric coarse series.
** Closest size for 75% theoretical thread.

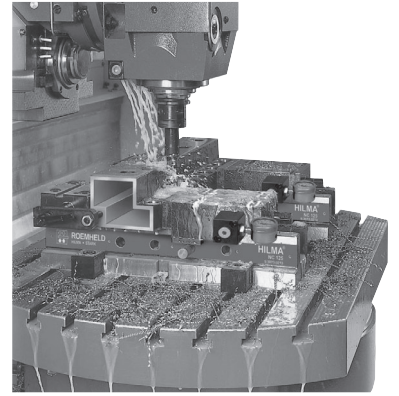
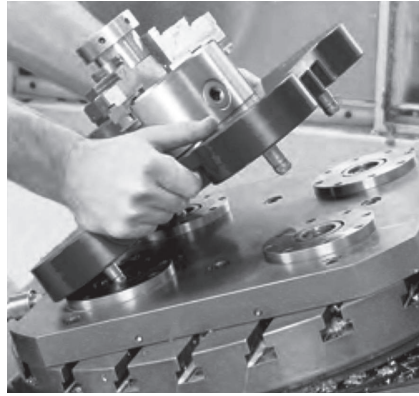
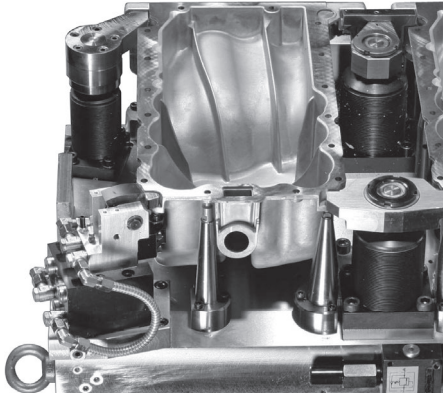


ROEMHELD

HILMA ■ STARK

Carr Lane Roemheld Mfg. Co.

Power Workholding For CNC Machining



Power Workholding
Precision Vises
Zero Point Mounting
Assembly and Handling

CARR LANE ROEMHELD MFG. CO.

About Us

In 1982 an independent joint venture was established to marry the proven product expertise of Roemheld with the tooling industry know-how and distribution network of Carr Lane Manufacturing. This partnership now offers to the American manufacturer the finest in international power workholding, combined with the best in local service and support.



Carr Lane Roemheld supplies North America with engineered hydraulic clamping and quick tool change systems, backed by responsive service and technical support. Used in the automotive, aerospace, appliance and other markets, these high-quality machine tool accessories and workholders greatly increase manufacturing productivity.

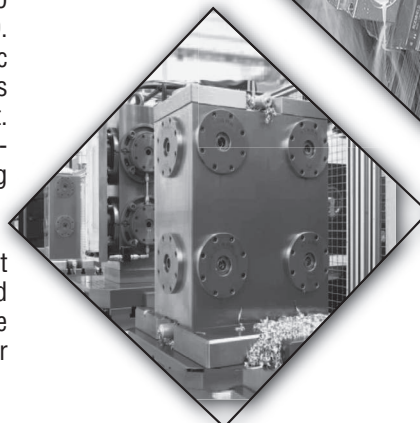
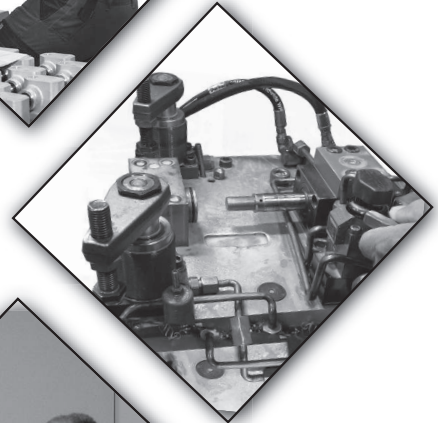


Founded in 1952 in St. Louis, Missouri by Earl E. Walker and family to make standardized tooling components, Carr Lane Manufacturing has grown, through constant innovation, to become the foremost manufacturer and supplier to the American machine tool industry. Now the most complete line available, Carr Lane Manufacturing offers jig and fixture components, toggle clamps, hoist rings, alignment pins, drill bushings, spring plungers, and modular fixturing. Setting the standard for American tool engineers, Carr Lane Manufacturing's catalog is recognized as the manufacturing engineer's tooling reference.



Drawing upon a centuries-old tradition of German craftsmanship, metalworking was already well established in Laubach, Germany when the Roemheld family began to manage operations in 1870. Development of the hydraulic workholding components began in the early 1960's and soon grew to dominate the European market. Today, Roemheld GmbH is by far the world leader in this productivity-enhancing technology, offering a tremendous range of power workholding components of superior design and the highest quality.

We invite you to review this section of the catalog in depth and to visit roemheld-usa.com for more information. We at Carr Lane Roemheld welcome the opportunity to assist you in your manufacturing process in the most productive way possible — with the world's most dependable power workholding equipment.



Contents

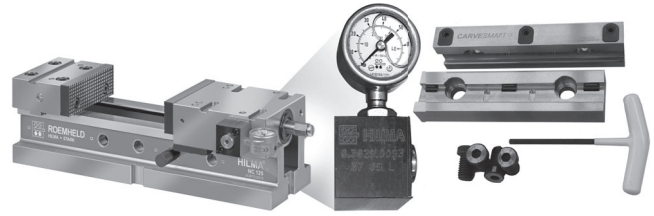
	Technical Information	Product Features..... 608-609 Design Information..... 610-615 Safety Precautions 616
	Clamps & Cylinders	Low-Pressure Clamps and Supports 617 Extending Clamps 618-626 Swing Clamps..... 628-638 Push Clamps..... 639-643 Block Clamps..... 644-645 Universal Cylinders..... 646-647 Pull Clamps..... 648-650
	Work Supports	Spring-Extended Work Supports..... 652-654 Fluid-Advanced Work Supports..... 652-655 Air-Advanced Work Supports 652-654 Double-Acting Fluid-Advanced Work Supports 655
	Vises, Concentric Clamps & Zero Point Mounting	Machining-Center Vises..... 658-659 Vise Jaws and Accessories 660-661 CL5 5-Axis Machining Vises 663-669 MC-P Mini Clamp Vises 665-667 5-Axis Riser, Vise Jaws 668-669 Concentric Vises 666, 670-671 DropZero Zero-Point Mounting 672-675 Fixture Clamps 677-679
	Power Sources	Electric Power Units..... 682-685 Air Power Units..... 686-688 Hand Pumps 689 Screw Pumps..... 690 Hydraulic Intensifiers 691-692
	Valves	Clamping Valves..... 695-697 Sequence Valves 699-700 Pressure-Reducing and Closing Valves 698, 701-703 Check Valves 702, 704 Shutoff and Pressure-Relief Valves 703 Flow-Control Valves..... 704
	Fittings & Accessories	Rotary Couplings and Pallet Decouplers..... 706-714 Accumulators..... 715 Quick Connects and Couplers..... 716-717 Pressure Switches 718 Air Accessories, Manifolds and Gauges 719 Quick Disconnects 720 Filters, Tubing, Hoses and Fluid..... 721-729 Fittings, Tubing Tools..... 723-731 Contact Bolts 732 Lifting Devices..... 734-735

Featured Power Workholding Items

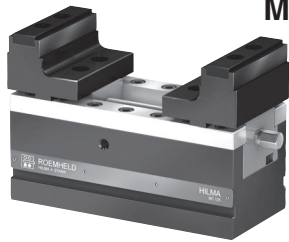
BRAND NEW! DropZero™



New Drop Zero!
pages 672-675



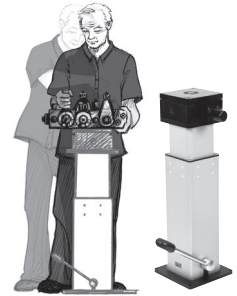
NC Machine Vises with Gauge Carvesmart Bundle
pages 658-659, 662



MC-P Z Concentric Machine Vise
page 678



Hinge Clamp Flat Clamping Lever
page 624



Lifting Units
pages 734-735



Double Acting Threaded-Body Work Support
page 655



Robust Swing Clamps
pages 637-638



Work Supports
pages 651-655



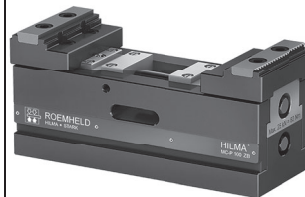
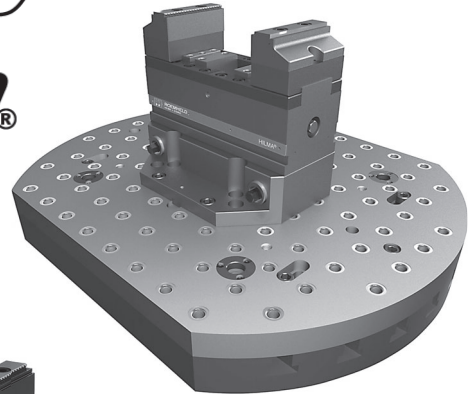
Hinge/Link Clamps
pages 624-626



Compact Clamps
page 623



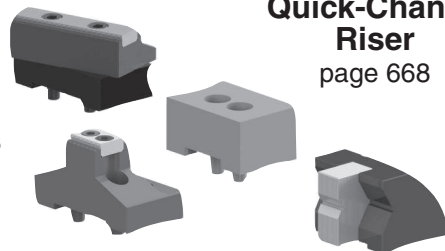
5-Axis Machining
pages 663-669



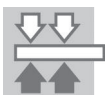
5-Axis Machining Vises
page 665-667



Quintus Quick-Change Riser
page 668

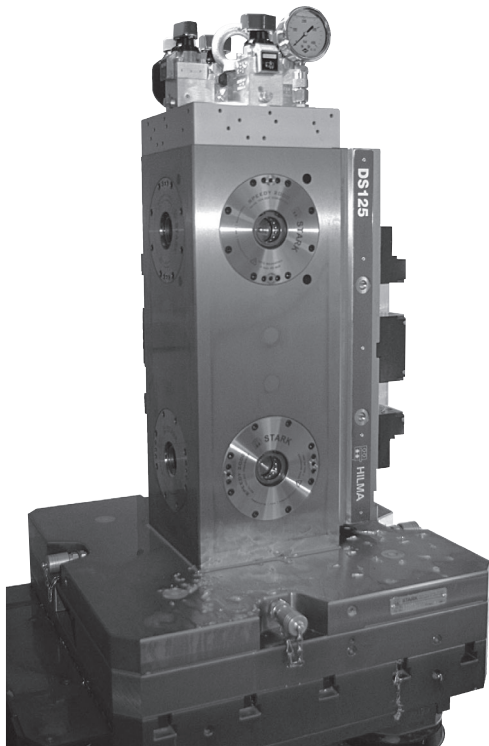
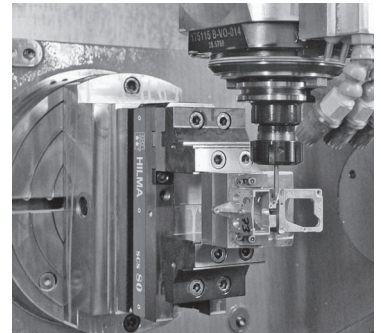
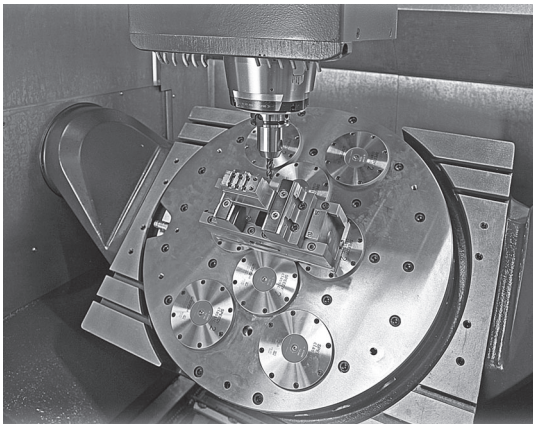


5-Axis Vise Jaws
page 669



PRECISION MACHINE VISES INCREASE PRODUCTIVITY

Use in Conjunction with the Zero Point Mounting System for Faster, More Accurate Fixture Set Ups

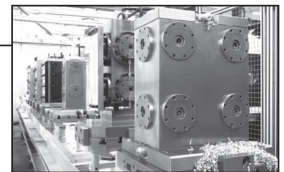
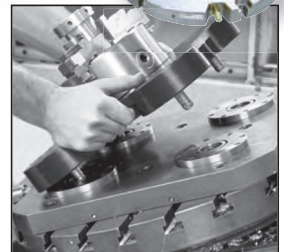
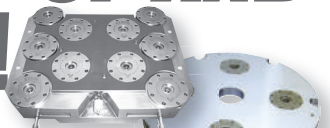


REDUCE SET-UP AND DOWNTIME!

Zero Point Mounting System for Quick Change Fixturing

This comprehensive system utilizes clamping components and insertion nipples, which provide an immediate zero point orientation.

- Reduce set up time by as much as 90% with zero point mounting
- Existing fixtures can be easily adapted
- Highly accurate positioning and repeatability
- Increased productivity



- Fast payback
- Set-up times slashed
- Fixture life extended

View Stark Zero Point Mounting Products at:

www.roemheld-usa.com



ROEMHELD

HILMA ■ STARK

Carr Lane Roemheld Mfg. Co.

Fenton, MO 63026
(636) 386-8022



ROEMHELD

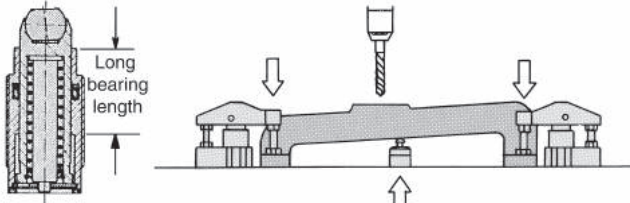
HILMA ■ STARK

Carr Lane Roemheld Mfg. Co.

Sales — Phone (314) 647-6200 Fax (314) 647-5736
Engineering — Phone 1-800-827-2526 Web roemheld-usa.com

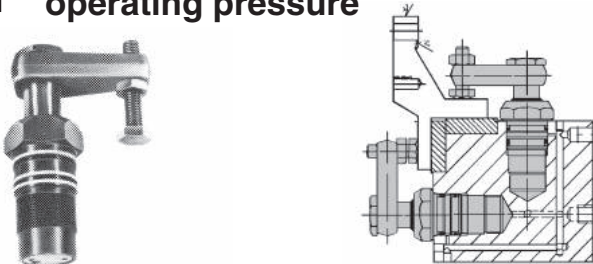
What makes Roemheld Power Workholding better than earlier hydraulic clamps?

1 Designs specifically and purely for workholding



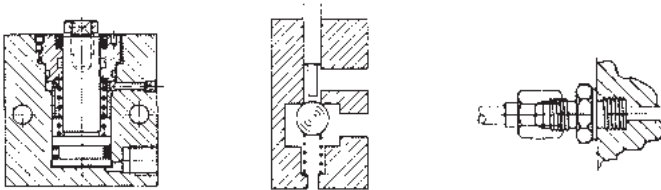
Earlier power clamping products descended from industrial jacks, pipe benders, and rams. Although these early devices (many still on the market) are fine for their original uses, they do not meet the special demands of modern workholding. For example, in a machining application, components are often subject to side loading due to cutting forces, not simply axial loads. This condition requires totally different engineering to provide sufficient bearing lengths for durability. As another example, workholding components are frequently exposed to coolant, chips, dirt, and grit, so clamps must include effective wipers and vent filters. Also, industrial cylinders converted to clamps are usually too bulky to fit easily on fixtures.

2 Compactness, with 7250-psi operating pressure



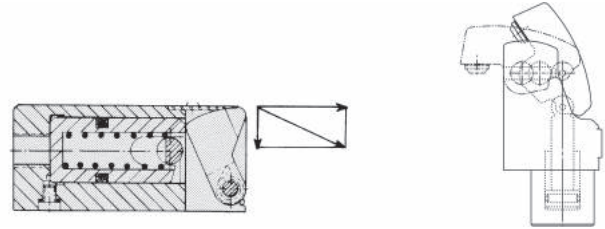
Earlier power clamps could operate at only 2000 to 3500 psi (pounds per square inch) fluid pressure. You needed large, bulky clamps with large internal cylinders to provide enough clamping force. Roemheld components are designed differently, inside and out, to fit easily on fixtures. They work comfortably even at 7250 psi, letting you use much smaller clamps to get the same clamping force. Compact Roemheld clamps open up new fixturing possibilities: you can now place clamps in tighter spots than before, and with the extra space, you can put more workpieces on a fixture (for example, six parts per cycle instead of only 4).

3 Zero-leakage sealing technology



Another feature unique to Roemheld power workholding is leak-free hydraulic sealing. Zero leakage is always important for safe clamping, and is absolutely vital on portable palletized fixtures. Maintaining pressure in a closed, disconnected system requires that *all* components – clamps, valves, and fittings – be leak-free. This calls for drastic changes in sealing techniques: cylinder seals are different, poppet valves (not leaky spool valves) are used whenever possible, and all fittings use metal-to-metal sealing (straight BSPP pipe threads with knife-edge sealing, instead of leak-prone tapered pipe threads).

4 State-of-the-art product development



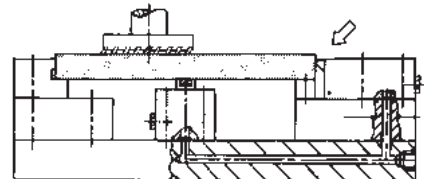
The Edge Clamps and Extending Clamps shown above are just two examples of advanced clamp designs in the Roemheld line. Both set new standards for good engineering and compact size. Our many new products and product improvements result from constant, extensive research and development. New products are field tested and proven, often for years, before they are ever offered for sale.

5 Extensive clamp sizes that follow a logical progression



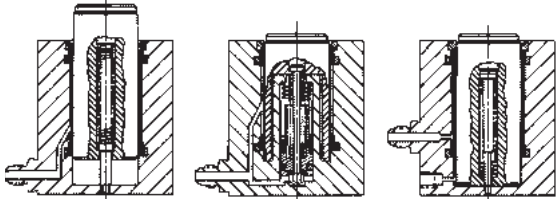
Roemheld offers a vast selection of clamp sizes and varieties, to match your requirements exactly. In fact, we offer *several times* as many catalog models as our closest competitor (with much better stock too)! Just as important, our clamp sizes follow a logical progression of clamping forces, so you can usually find a clamp that is just the right size.

6 Manifold mounting



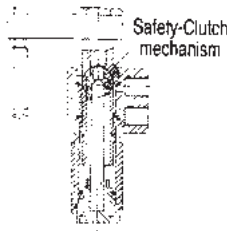
Our Roemheld line pioneered the ever-increasing use of manifold mounting: supplying fluid to clamps through passages drilled in the fixture, rather than through tubing or hoses. Manifold mounting, which requires specially designed clamps, allows designing totally "clean" fixtures without chip traps. Also, manifold mounting lets you put clamps closer together and in tighter spots, often letting you put more workpieces on a fixture.

7 Work Supports



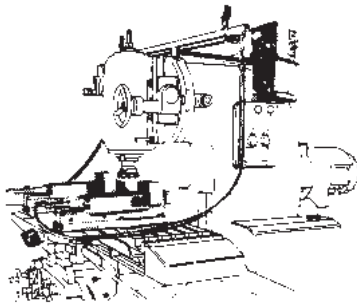
One of the most important improvements in power workholding is the work support. These components do not exert clamping force; instead, they lock off to restrain a workpiece during machining to prevent deflection and vibration. Roemheld work supports offer two major improvements: (1) drastically improved accuracy, with +/- .0002 inches repeatability, and (2) fluid-advanced and air-advanced supports. Fluid- and air-advanced versions offer significant advantages over conventional spring-loaded work supports. A spring-loaded support relies on a workpiece's weight to depress its support plunger to the proper height. While fluid pressure is off, the plunger remains in a raised position on the machine and can hamper loading and unloading. A fluid-advanced work support's plunger, on the other hand, is retracted when fluid pressure is off. Applying pressure first raises the plunger gently to the workpiece, then automatically locks it at the correct height. When pressure is released, the plunger retracts again for clear loading.

8 Swing Clamps



In all modesty, Roemheld Swing Clamps are by far the finest available anywhere, both in features and durability. Our proprietary safety-clutch mechanism prevents damage if the clamping arm strikes an unexpected object, such as an incorrectly loaded workpiece. The arm clutch disengages to avoid damaging the object or the clamp's helical-cam mechanism. In addition, our swing clamps incorporate a fast, totally dependable spring return, unlike our competitors'. We offer many varieties and sizes of swing clamps, including super-miniature and manifold-mounted versions.

9 Power Units for Workholding

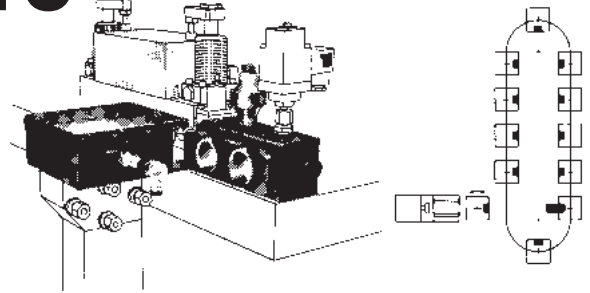


Early power-clamping systems relied either on limited-capacity air/oil intensifiers or on massive, noisy pumps for hydraulic power. Roemheld Electric and Air Power Units are totally different: they are compact, quiet power units designed especially for workholding. These turnkey units include an extremely durable pump, large fluid reservoir, clamping valves, switches, gauges, and numerous safety devices. Workholding power units are becoming a standard accessory on milling machines and machining centers.



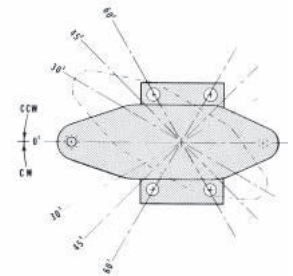
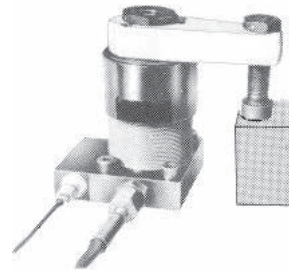
ROEMHELD
HILMA ■ STARK

10 Pallet Coupling Systems



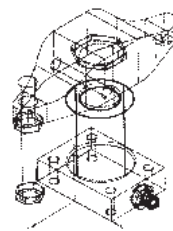
Power clamping on portable palletized fixtures is becoming quite common, yet presents some special challenges, such as maintaining full clamping pressure while the fixture is separated from its power source. We offer a wide choice of solutions, from rotary couplings, to manual pallet decouplers, to automatic coupling systems with programmable controllers.

11 Specials



Because many tough clamping problems require modified or totally special components, we offer full specials-engineering capabilities. Our research and development staff can quickly design products to meet your special requirements. And unlike our competitors, we are a full-capability manufacturer, from start to finish, so lead times are always reasonable.

12 Engineering and Service Support



Drawing Files Available at
www.carllane.com

The combined resources of Carr Lane Roemheld Mfg. Co., Carr Lane Mfg. Co, and Roemheld GmbH bring you the world's finest technical support. Our capabilities include:

- (1) Field engineers and regional managers helping our fine authorized distributors give you on-site assistance nationwide.
- (2) Extensive CAD/CAM capabilities, both inhouse and for customer use, including a complete CAD library of catalog items available for users.
- (3) A large stock of catalog items, plus quick-response manufacturing capabilities.
- (4) Quality products that rarely need service, unlike those of our competitors, who regularly sell replacement parts and need repair stations throughout the country.

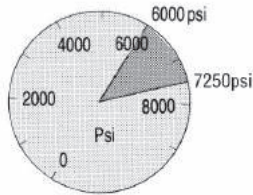
Carr Lane Roemheld Mfg. Co.

Sales — Phone (314) 647-6200 Fax (314) 647-5736
Engineering — Phone 1-800-827-2526 Web roemheld-usa.com

Design Information

1. Operating Pressure

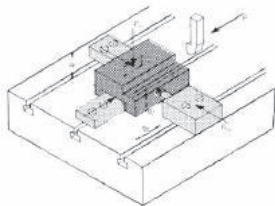
Although most Roemheld components operate comfortably and safely at up to 7250 psi, we recommend selecting a standard "design pressure" of 6000-psi for workholding fixtures. The table on each clamp's catalog page shows 6000-psi forces in bold for quick reference.



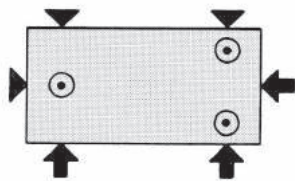
Designing at 6000 psi gives you most of the compactness benefits of high pressures, yet leaves a 25% reserve in case you find that you need additional holding force after building the fixture. Adjust up or down if necessary after checking the fixture. We recommend permanently labeling or stamping the fixture with the chosen operating pressure, for future reference. Operating at low pressures is somewhat a waste of our components' capabilities, but may occasionally be desirable with delicate workpieces. Whenever possible, stay with high pressures and use smaller clamps for better economy and minimum size. Minimum operating pressure is generally 1500 psi using an Electric Power Unit, or 2200 psi using an Air Power Unit. Work supports require at least 1500 psi. Please note, a few products in this catalog are limited to pressures lower than 7250 psi. To use these components in full-pressure systems, see Pressure Reducing Valves.

2. Machining Operations and Fixture Layout

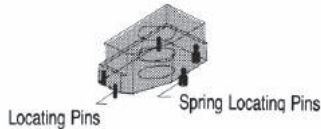
While developing your fixture concept, consider the following factors wherever possible:



Use positive stops to resist machining forces, rather than relying just on clamp forces. With well-placed locators, you can use smaller clamps.



Choose clamping points that are backed up by solid stops or rests to resist machining forces. Clamping forces can distort a workpiece unless counteracted by firm supports.



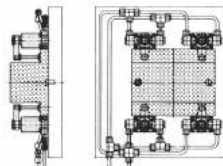
Evaluate workpiece-loading procedure and clamping sequence. Loading and clamping can be completely automatic, or involve some manual steps. To position the workpiece against locators, spring-loaded positioners (above) are often helpful. Sequence Valves are extremely useful to position hydraulically with push clamps before clamping. Total positioning force should be 30-50% of the workpiece's weight to overcome friction.



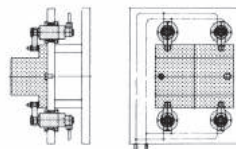
Decide how many parts you want to place on the fixture. For example, to place three workpieces on the above fixture, super-miniature Swing Clamps are necessary. With only one workpiece, just about any clamp would do.

3. Plumbing Options

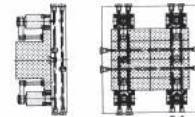
Supplying fluid to hydraulic fixtures is not merely an afterthought. Fluid supply is an integral part of fixture design. The following Swing Clamp fixtures illustrate four distinct plumbing concepts.



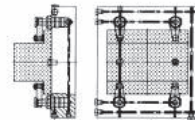
1. Tubing lines on top of fixture plate.
This is the oldest, most traditional method of supplying fluid to hydraulic clamps. Before manifold mounting, using tubing was about the only option available. Advantages: less baseplate machining is required; quick build time. Disadvantages: chips are easily trapped in tubing lines; a large base-plate area is required; exposed tubing is subject to damage.



2. Tubing lines underneath fixture plate.
Running tubing lines below the working area is an improvement on option 1. Advantages: no chip traps in working area; more freedom to position clamps with tubing out of the way. Disadvantages: a large base-plate area is still required; more complicated fixture construction.



3. Manifold mounting, with O-ring ports.
This option uses passages drilled in the fixture to feed fluid directly to O-ring ports underneath the clamps. Advantages: more compact fixture size; no chip traps in working area; most economical construction. Disadvantages: gundrilling is sometimes required; less freedom to mount clamps in odd positions.



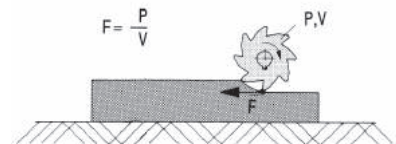
4. Cartridge-type manifold mounting.
Similar to option 3, except clamps are embedded in specially prepared, tapped mounting holes. Advantages: most compact fixture size; great freedom to position clamps in tight places; no chip traps in working area. Disadvantages: gundrilling is sometimes required; a thicker base plate is usually required (this is also an advantage because it makes the fixture more rigid).

4. Cutting Forces

An important step in most fixture designs is looking at the planned machining operations to estimate cutting forces on the workpiece, both magnitude and direction. Your "estimate" can be a rough guess based on experience, or a calculation based on machining data. One simple formula for force magnitude is based on the physical relationship:

$$Force = \frac{Power}{Velocity}$$

$$F = \frac{P}{V}$$



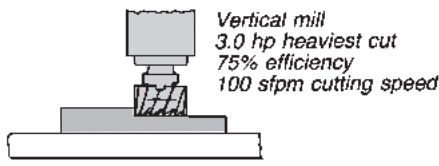
Cutting force = (lbs)	Heaviest-cut horsepower × Machine efficiency × 33,000	
	Cutting speed (sfpm)	

Please note: heaviest-cut horsepower is not total machine horsepower, rather it is the maximum horsepower actually used during the machining cycle. Typical machine efficiency is roughly 75%. (.75). The number 33,000 is a units-conversion factor.

The above formula only calculates force magnitude, not direction. Cutting force can have X, Y, and/or Z components. Force direction (and magnitude) can vary drastically from the beginning, to the middle, to end of the cut.

Design Information

Example

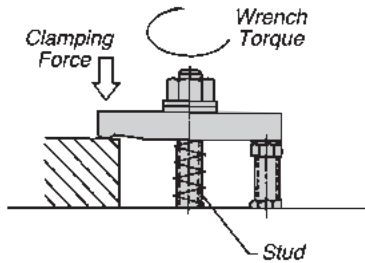


$$\begin{aligned} \text{Cutting force} &= \frac{3.0 \text{ hp} \times .75 \times 33,000}{100 \text{ sfpm}} \\ &= 743 \text{ lbs} \end{aligned}$$

Intuitively, force direction is virtually all horizontal. In this example (negligible z-axis component). Direction varies between the x and y axes as the cut progresses.

5. Clamp Forces / Sizes

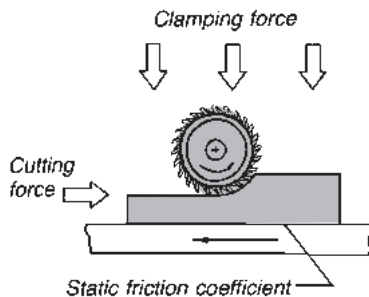
Clamping-force calculations can be quite complicated. Sometimes an approximate method is good enough. See table below for how much clamping force is available from manual clamps of various sizes (with a 2-to-1 clamping-force ratio) to compare with power-clamp forces.



Stud Size	Recommended Torque* (ft-lbs)	Clamping Force (lbs)
1/4-20	4	500
5/16-18	9	900
3/8-16	16	1300
1/2-13	38	2300
5/8-11	77	3700
3/4-10	138	5500

* Clean, dry clamping stud torqued to approximately 33% of its 100,000 psi yield strength (2:1 lever ratio).

You can also calculate required clamping forces based on calculated cutting force. A simplified example appears below, with cutting force entirely horizontal, and no workpiece stops

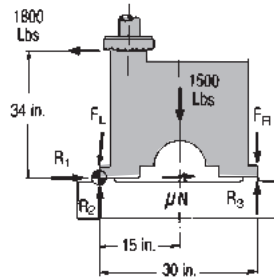
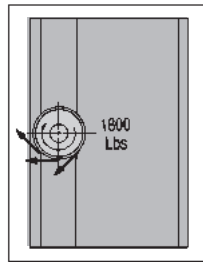


$$\text{Clamping force (lbs)} = \frac{\text{Cutting force (lbs)}}{\text{Static friction coefficient}} \times \text{Safety factor (usually 2)}$$

Contact surfaces	Friction coefficient (Dry)	Friction coefficient (Lubricated)
Steel on steel	.15	.12
Steel on cast iron	.19	.10
Cast iron on cast iron	.30	.19

(frictional force resists the entire cutting force). With workpiece stops and multi-direction forces, calculations become much more complicated. To simplify somewhat, determine the worst-case force situation intuitively, then treat the calculation as a two-dimensional static-mechanics problem (using a free-body diagram). In the example below, cutting force is already known to be 1800 lbs from previous calculations. The workpiece weighs 1500 lbs. Unknown forces are:

- F_R = Total force from all clamps on right side
- F_L = Total force from all clamps on left side
- R_1 = Horizontal reaction force from fixed stop
- R_2 = Vertical reaction force from fixed stop
- R_3 = Vertical reaction force on right side
- N = Normal force = $F_L + F_R + 1500$
- μ = Coefficient of friction = .19



The equations below solve for unknown forces assuming that for a static condition:

- The sum of forces in the x direction must equal zero
- The sum of forces in the y direction must equal zero
- The sum of moments about any point must equal zero

At first glance, the example above looks "statically indeterminate," i.e. there are 5 variables and only 3 equations. But for the minimum required clamping force, R_3 would be zero (workpiece barely touching) and F_L would be zero (there is no tendency to lift on the left side). Now with only 3 variables, we can solve:

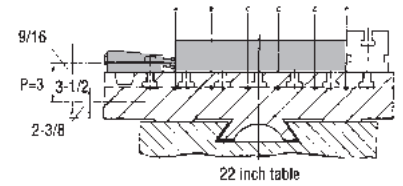
$$\begin{aligned} \sum F_x &= 0 \\ \sum F_y &= 0 \\ \sum M &= 0 \end{aligned}$$

$$\begin{aligned} \sum F_x &= -1800 + R_1 + (.19)(1500 + F_R) \\ \sum F_y &= R_2 - 1500 - F_R \\ \sum M &= 0 \\ &= (34)(1800) - (15)(1500) - (30)(F_R) \end{aligned}$$

Solving for the variables,

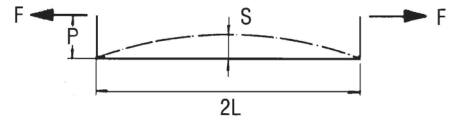
$$\begin{aligned} F_R &= 1290 \text{ lbs} \\ R_1 &= 1270 \text{ lbs} \\ R_2 &= 2790 \text{ lbs} \end{aligned}$$

In other words, the combined force from all clamps on the right side must be greater than 1290 lbs. We recommend a 2-to-1 safety factor (2580 lbs). Even though F_L (the combined force from all clamps on the left side) equals zero, a small clamping force may be desirable to prevent vibration. Too much



clamping force can be as bad as too little. Excess force can cause fixture and machine-table distortion or even damage. Even a small hydraulic clamp can generate tremendous

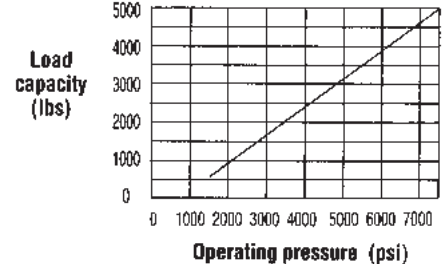
$$S = P \times \left(\frac{1 - \frac{1}{FL^2}}{1 + \frac{1}{2EI}} \right)$$



stresses (S). In the example above, three 4560-lb Edge Clamps cause some machine-table bending. Using static beam-binding calculations, maximum distortion, at point D, is about .0006 inches (probably acceptable). However, if the clamping point were higher off the machine table (P dimension), distortion would be much greater. Higher clamps would require adding an intermediate fixture plate to increase table rigidity.

6. Work Supporting

Unlike clamps, work supports do not actually exert force on a workpiece. After adjusting to the part, work supports essentially become fixed supports or rests. A work support's load capacity increases proportionally as fluid pressure rises:



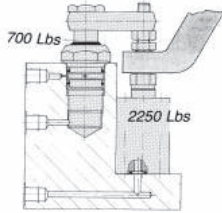
Carr Lane Roemheld Mfg. Co.

Sales — Phone (314) 647-6200 Fax (314) 647-5736
Engineering — Phone 1-800-827-2526 Web roemheld-usa.com



Design Information

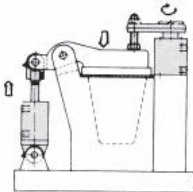
Choose enough load capacity to resist: (1) machining forces; (2) workpiece weight; (3) clamping forces not resisted by fixed stops.



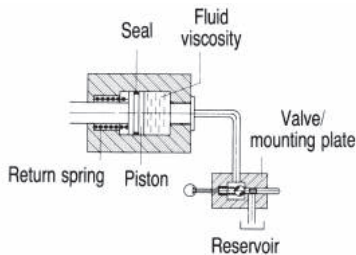
When supporting underneath a clamp, as in the example above, load capacity should be substantially greater than clamping force. Not only must the support resist static clamping force, it must resist dynamic load too (the "hammering" due to clamping-arm momentum). We recommend a load capacity of at least 2 times the clamping force. Another factor when clamping over a work support is that the clamp may build up force faster than the support builds up load capacity. To avoid this, use a sequence valve to delay clamping until load capacity builds up.

7. Single Acting vs. Double Acting

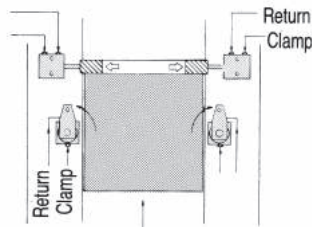
The return side of single acting elements, with a few exceptions (small work supports), require breather ports on the return side, and when used in systems with high flow or pressurized cutting fluids/coolants, great care must be taken to ensure that these fluids do not enter the return side of the clamps. It is highly recommended that double acting elements be used in such systems, thus eliminating the problem, and resultant machine down time. Double acting clamps should also be used in systems having an automatic load/unload, so that all functions can easily be coordinated.



1. Moving linkages or retracting heavy loads. For a quick, positive return when weight is too heavy for spring return.



2. Large fixtures with long tubing runs or flow restrictions. Return speed is adversely affected by: (1) pressure drop in tubing and hoses; (2) pressure drop in valves; (3) high fluid viscosity, especially at lower temperatures; (4) frictional force at piston seals, especially when clamped for an extended time, which displaces the fluid film on cylinder walls.

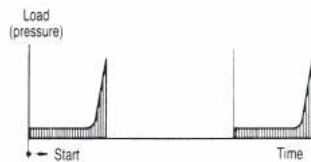


3. Machine-tool interlock. In automated systems where timing and synchronization are important, double-acting clamps are the best choice. By installing pressure switches in both clamping and return lines, a machine controller knows exact clamp status at all times.

8. Clamping Time

Hydraulic clamping is usually fast, but not instantaneous. To estimate clamping time, consider the two phases of clamping:

1. Extending time, under low-pressure free flow
2. Pressure-building time



Extending time is fairly easy to calculate, knowing fluid required by each clamp and the power units flow rate, using the formula below. One obvious way to reduce clamping time is to set clamps as close to the workpiece as possible, to use as little stroke as possible.

$$\text{Extend time (sec)} = \frac{\text{Maximum fluid req'd for all clamps (cu.in.)} \times \text{Portion of stroke used (usually 1/2)} \times 60}{\text{Power Unit flow rate (cu. in./min.)}}$$

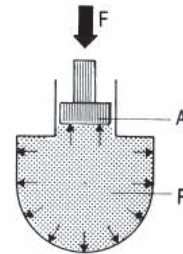
After extending, an additional volume of fluid must be pumped into the system to build pressure. This is due mainly to:

1. Compressibility of the hydraulic fluid (add about 4% of total system volume to build to 7250 psi)
2. Volume expansion of hydraulic hoses (.066 cu.in. per foot)
3. Charging an accumulator, if used

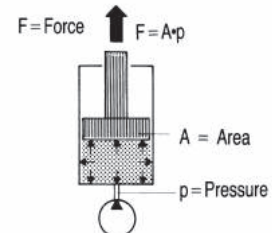
By calculating fluid required for each of the above factors, you can estimate pressure-building time. Using Sequence Valves lengthens clamping time, because each sequence step requires extending time and pressure-building time. To reduce clamping time, set Sequence-Valve trigger pressure as low as possible. With multiple Sequence Valves, set trigger-pressure differences at their minimum allowables value.

9. Other Hydraulic Considerations

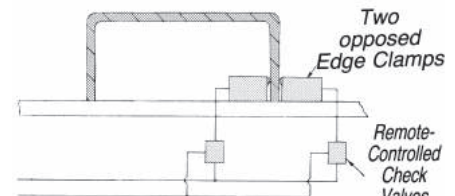
The basis of hydraulic clamping systems is "Pascal's Law", which says that if pressure is applied to a static fluid that is completely enclosed, that pressure is transmitted equally in all directions: This principle is used to transmit force to remote locations,



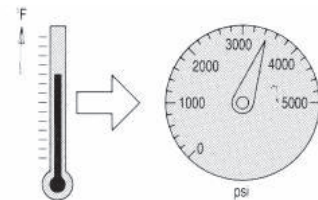
via hose, tubing, or drilled passages. When hydraulic pressure acts on a clamp's piston area, it generates external force according to the physical relationship $F = P \times A$:



Clamping with hydraulics causes some strange effects not occurring with manual clamps. One such phenomenon is fluid shifting between equal-force opposing clamps.



In the example above, the two opposed clamps allow the workpiece to float between them. Pushing on one clamp encounters no resistance because fluid just shifts to the opposing clamp (if the check valves were not present). Do not let equal-force clamps oppose each other without Remote-Controlled Check Valves.



Another strange effect is pressure change due to temperature change of a closed system. In fact, pressure changes about 80 psi per 1° F! Be careful of excessive temperature changes, especially increases. Use a Pressure-Relief Valve for safety.

10. Hydraulic Symbols and Circuit Diagrams

Hydraulic symbols and diagrams are a useful "shorthand" method of describing how a clamping circuit works without detailed drawings. The following pages show two circuit examples, and a summary listing of hydraulic symbols.

Design Information

Bleeding of the Spring Area ■ A0.110

Introduction

Due to increased use of coolants and cutting fluids in machining, there is an increased possibility that these fluids may penetrate into the spring areas of single acting cylinders and work supports. Many fluids can cause corrosion, which can lead to malfunction and possible failure.

Why bleeding is necessary

If not vented, excess pressure or vacuum in the spring area changes the spring forces which may lead to malfunctions.

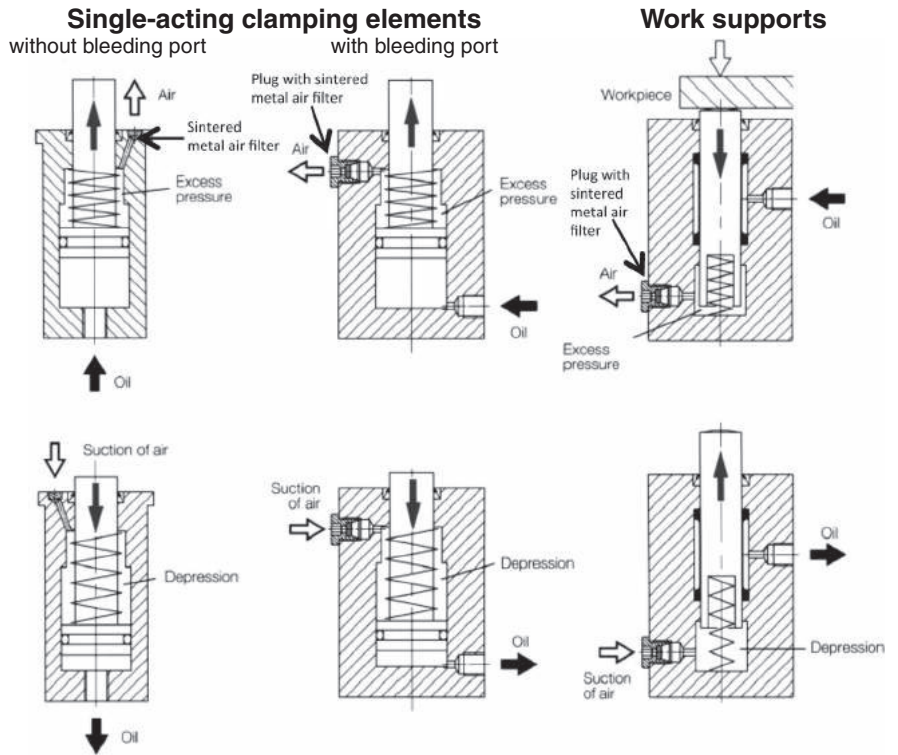
Condensation from coolants can lead to corrosion on the piston, spring or housing.

Leakage of hydraulic seals must drain properly to avoid malfunctions.

Using sintered metal filters minimizes dust and chips.

Liquids are the real problem because they can be drawn through the air filter. This can cause the spring area to be reduced. Malfunctions can occur due to this excess pressure or vacuum.

Catalog elements with bleeding of the spring area



• Venting of Spring Air ■ A0.110

Cover

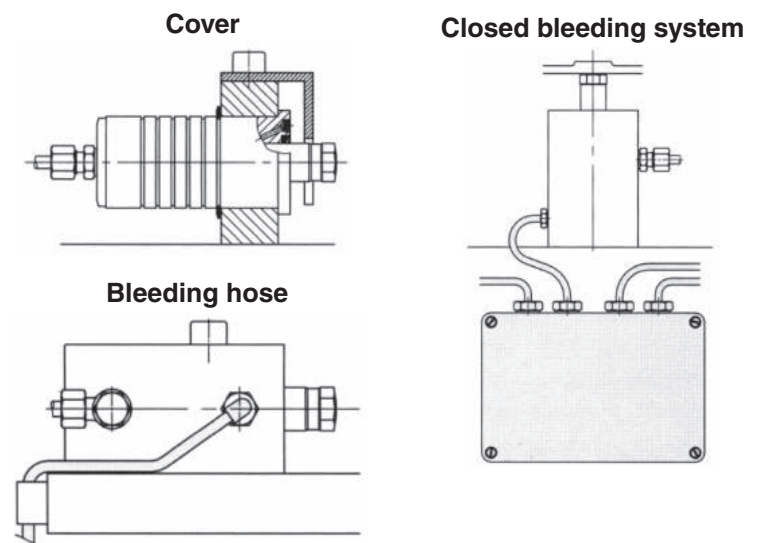
Clamping elements without bleeding port can be covered, but due to today's normal quantities of coolants this does not seem to be successful. In such applications you should use other clamping elements, preferably double-acting elements.

Bleeding hose

Connection of a bleeding hose is preferred and the opening is to be displaced to a point where no liquid can penetrate.

Closed bleeding system

Connecting the breather port to an external area can increase the spring area volume. By doing this, the amount of additional pressure or vacuum generated is minimal. This serves a dual purpose in allowing the spring area to be vented as well as protection from aggressive coolants. A good solution is to use sealed electrical wiring boxes with connecting threads. **The volume of this additional area should be ten times the stroke volume of all connected elements.**



Subject to change. For further details, including detailed dimensions and mounting instructions, visit roemheld-usa.com.



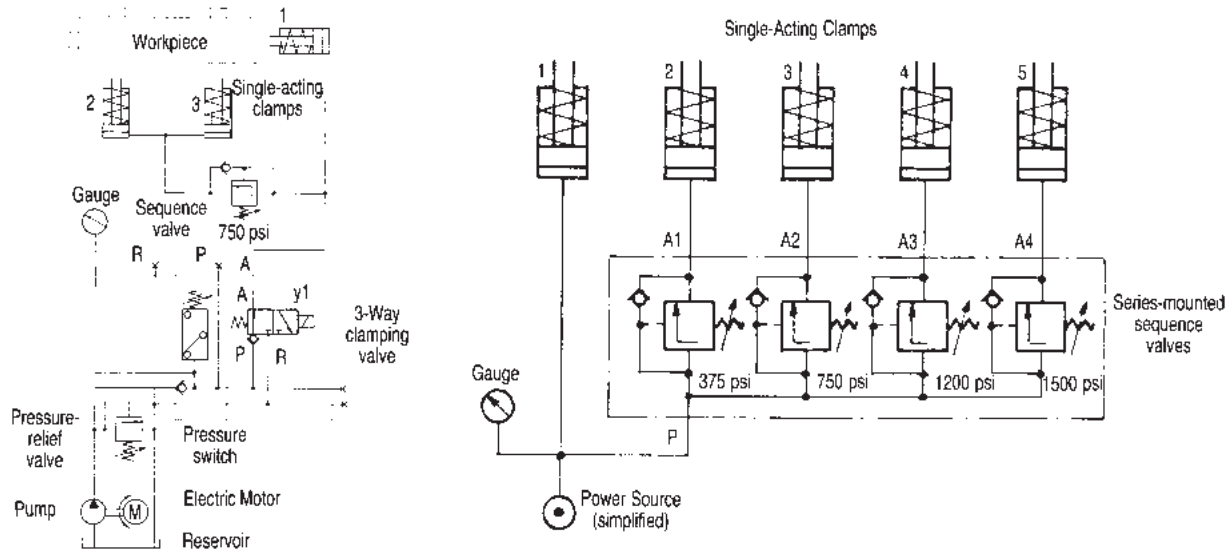
ROEMHELD
HILMA ■ STARK

Carr Lane Roemheld Mfg. Co.

Sales — Phone (314) 647-6200 Fax (314) 647-5736
Engineering — Phone 1-800-827-2526 Web roemheld-usa.com

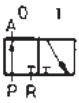

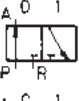



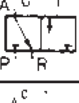







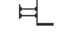
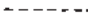


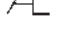
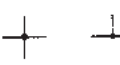




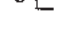


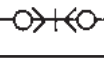
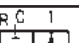

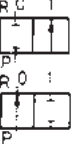

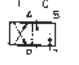

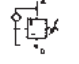




Design Information

Example Hydraulic Circuit Diagrams



Clamp & Cylinder Symbols		Valve Symbols	
	Push clamp or cylinder, single acting		Electric Power unit, consisting of a fluid reservoir, pump, electric motor, pressure-relief valve, pressure switch, clamping valve, and gauge.
	Push clamp or cylinder, double acting		Electric motor, showing direction of rotation
	Pull clamp, single acting		Constant displacement pump
	Swing clamp, single acting		Variable displacement pump
	Swing clamp, double acting		Fluid reservoir
	Extending clamp, single acting		Fluid filter
	Extending clamp, double acting	Valve Symbols	
	Work support, spring extended		3/2 directional-control valve (3-way, 2-position), complete symbol with solenoid operator and spring return (normally open)
	Work support, fluid advanced		Boxes showing valve positions (two). For valves with spring return, the neutral position is shown at left (0).
	Work support, air advanced		Inlet and outlet connections are drawn at the neutral-position box, and are designed by capital letters: P = Inlet pressure from pump A, B, C... = Operating connections R, S, T... = Outlet return (tank) L = Leakage line Z, Y, Z = Control Lines
Power Source Symbols			
	Power source (simplified)		

Design Information

	Flow lines and directions are shown in each valve-position box. Lines show flow path, arrows show flow direction. Shutoffs are designated by capped-off lines inside the box.		Check valve
			Remote-controlled check valve (pilot operated)
			Shutoff valve
	Valves can be normally open, as shown on top (clamped in neutral position), or normally closed, as shown on bottom (unclamped in neutral position)		Pressure-relief valve
			Flow control valve, with unrestricted return line
Accessory Symbols			
	Solenoid operated		Operating line, pressure or return
	Spring operated (or returned)		Control line, for transmitting control/pilot signals
	Manually operated		Leakage line, for carrying away fluid leakage
	Detent position		Flexible line, such as hydraulic hose
	Lever operated		Line connection
	Foot-pedal operated		Line crossing, without connection
	Push-button operated		Pressure-connection point, such as a port
	Cam-roller operated		Bleeding point
	Plunger operated		Quick disconnect, coupled
	Air-pilot operated		Quick disconnect, decoupled
	2/2 directional-control valve, normally closed on top, normally open below.		Rotary coupling (2 passage shown)
	4/2 directional-control valve, for double-acting clamps		Accumulator
	Sequence valve, with unrestricted return line		Gage
	Pressure-reducing valve, with unrestricted return line		Pressure switch
			Air filter/regulator/lubricator

Recommended Precautions For The Designer, Builder & Operator



IMPORTANT: READ THIS SHEET CAREFULLY BEFORE OPERATING.

Roemheld power workholding components are high quality products, engineered and manufactured to give you long, dependable and safe performance. For proper and safe operation, please follow all instructions on this sheet. Save these instructions for future reference.

SERVICE NOTE: Most Roemheld components are 100% individually tested for proper operation before leaving the factory. Please recheck these instructions if your new unit does not work properly. Should any component ever need service, please contact the factory. Do not disassemble the unit yourself — many are not user serviceable. Roemheld components incorporate advanced sealing technologies that eliminate the need for routine seal replacement.

TUBING: Use only *steel* tubing as specified in the Roemheld catalog: Seamless steel tubing, C1010, cold drawn, fully annealed, 5/16 OD, .065 wall thickness (Certified to 37,500 psi burst). Follow all tubing installation guidelines. We highly recommend the CLR-300-TL flaring tool to effectively flare this heavy-walled tubing.

HOSES: Use only hydraulic hoses as specified in the Roemheld catalog: 1/4 ID hydraulic hose, 25,520 psi min. burst pressure, (2) female swivel-nut ends, 5/16 JIC 37° flare.

FLUID CONNECTIONS: Connect fluid lines to the 5/16 JIC 37° flare male connection on each clamp (two for double-acting clamps). This fitting accepts either 5/16 OD 37° flared tubing, or a hydraulic hose with 5/16 JIC 37° swivel nuts (female) at each end. **Do not screw NPT pipe fittings into Roemheld components, or use NPT fittings anywhere in a workholding system.** Roemheld fittings are 5/16 JIC 37°. These fittings offer a positive metal-to-metal seal. **Do not use teflon tape or sealant.** Do not use fitting sizes other than 5/16. This size is ideal for workholding fixtures. Smaller tube sizes have poor flow rates. Larger tube sizes are not readily available with sufficient wall thickness for high pressure operation, and are difficult to flare. Never use brass fittings.

OPERATING PRESSURE: Do not operate components above their maximum allowable fluid pressure stated in the Roemheld catalog (7250 psi for most components). Always use a gauge to monitor fluid pressure. Locate pressure gauge where the machine operator can easily read it. Often, placing it directly on the machining fixture is best. All Roemheld Electric and Air Power units include a fluid-pressure gauge.

ADDITIONAL SAFETY PRECAUTIONS: If losing fluid pressure (due to a cut hose, etc.) would pose any danger to the operator, install a pressure switch, or other pressure-monitoring device, to monitor system pressure. This switch electrically signals the machine tool to shut down if fluid pressure is inadequate.

COMPONENT COMPATIBILITY: Do not mix non-Roemheld components into a Roemheld power-workholding circuit. Other brands are not leakfree, and their performance may be unpredictable.

HYDRAULIC FLUID: Always use absolutely clean, fresh hydraulic fluid. Fill the fluid under absolutely clean conditions. **Almost all service problems are caused by dirty, contaminated fluid. Fluid must be clean to 10 micron or better nominal filtration.** Use only the following DIN 51524, HLP, ISO Grade fluids to preserve your warranty:

Oil Temp. [°C]	Designation [as per DIN 51524]	Application
10-40	HLP 22	Power units with poppet valves or single acting circuits
15-50	HLP 32	Mechanical pumps or double acting circuits

See also CLR-000-V, high pressure in-line filter.

BLEEDING AIR: Usually components will bleed trapped air automatically when you clamp and unclamp them several times. If manual bleeding is still necessary, bleed at an elevated tube or hose connection, farthest from the power source. With the clamps actuated (system pressurized) slightly loosen the connection. After fluid seeps out for a few seconds, retighten. Repeat at other connections if necessary. After bleeding, unclamp (depressurize system) and refill the power sources fluid reservoir.

CAUTION: ALWAYS KEEP HANDS CLEAR OF POWER CLAMPS DURING OPERATION. THESE COMPONENTS EXERT VERY HIGH FORCES AND CAN CAUSE SERIOUS INJURY. DISCONNECT POWER SOURCE BEFORE CONNECTING, DISCONNECTING, ADJUSTING, OR OTHERWISE HANDLING COMPONENTS.

FLOW CONTROL: When using Swing Clamps, Extending Clamps, or Fluid-Advanced Work Supports with a high-flow-rate power source, make sure the fluid flow rate to each component is under the maximum stated in the catalog. Otherwise the components may not activate properly. See the Roemheld catalog for flow control valves.

FLOOD COOLANT: Work Supports and Swing Clamps have air vents protected by sintered-metal filters. These vents could draw in coolant if the components are submerged. To prevent this, attach an air vent tube via the tapped hole provided (see each component's catalog page for air-vent-fitting part numbers).

PRESS-TOOL CLAMPING: Clamping die sets on presses require different components and safety devices than found in our Roemheld Power Workholding catalog. Contact factory for press-tool clamping systems.

MOUNTING: Carefully follow mounting instructions as shown in the Roemheld catalog for each component.



ROEMHELD
HILMA ■ STARK

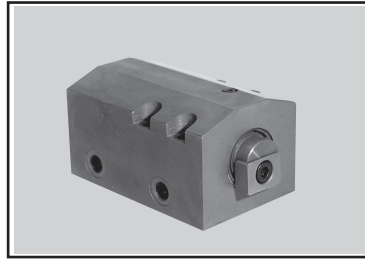
Carr Lane Roemheld Mfg. Co.

Sales — Phone (314) 647-6200 Fax (314) 647-5736
Engineering — Phone 1-800-827-2526 Web roemheld-usa.com

Low Pressure Clamps ■ Work Supports

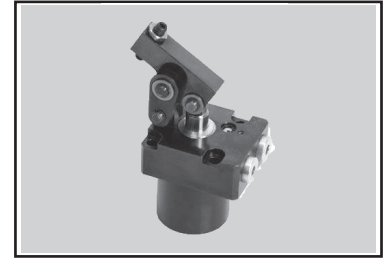
Advantages

- Low pressure high clamping force.
- Can be ran off machine hydraulic, so an additional power unit is unnecessary.
- Improved production rate and quality over manual clamping.
- See website or contact engineering for more information.



B1.8233 Block Clamps 70 / 100 bar

Hydraulic block clamps are particularly suitable for clamping of workpieces, that require a large free space for machining, and for applications where conventional clamps and swing clamps are too big. Clamping direction adjustable and in small recesses and bores. Clamping force of 540-2920 lbf.



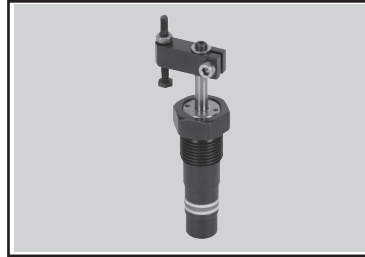
B1.8268 Hinge Clamps with Throttle Valve 70 bar

Hydraulic Hinge Clamps are designed for the direct connection to the lowpressure hydraulics of machine tools. Special kinematics allow clamping without side loads of workpieces which are very sensitive against deformation. Clamping force of 515-3865 lbf.



B1.8271 Mini Compact Clamp 200 bar

Mini compact clamps are designed for application in hydraulic clamping fixtures where oil supply is effected through drilled channels in the fixture body. Clamping force of 20-290 lbf.



B1.848 Mini Swing Clamps with Sturdy Swing Mechanism 150 bar

This double-acting mini swing clamp works as pull-type cylinder where a part of the total stroke is used to swing the piston. Mini swing clamps are particularly suitable for machining of thin-walled workpieces, which require only little clamping forces. Clamping force of 20-135 lbf.



B1.8500 Swing Clamps with Sturdy Swing Mechanism 70 bar

The hydraulic swing clamp with sturdy swing mechanism can be directly connected to the low-pressure hydraulics of the machine tool. Clamping force of 135-2990 lbf.



B1.8802 Swing Clamps with Reinforced Swing Mechanism 160 bar

The Swing Clamps with Reinforced Swing Mechanisms are designed with a double clamping arm which gives the ability to clamp 2 work pieces at the same time. Forked head for simple clamping arms. Clamping force of 315-785 lbf.



B1.947 Threaded-Body Work Supports 70 bar

Hydraulic work supports are used to provide a self-adjusting rest for the workpiece during the machining operations. They compensate the workpiece surface irregularities, also vibration and deflection under machining loads. Support force up to 900 lbf.



B1.9472 Threaded-Body Work Supports 70 bar

This series of Threaded-Body Work Supports can be directly connected to the low-pressure hydraulics of the machine tool. The extension, a shaft diameter of 16 mm, enables the support of surfaces in recesses and cavities that otherwise would be inaccessible. Support force up to 675 lbf.

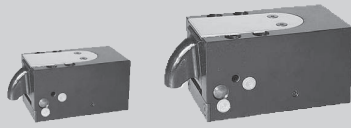
Subject to change. For further details, including detailed dimensions and mounting instructions, visit roemheld-usa.com.

Carr Lane Roemheld Mfg. Co.

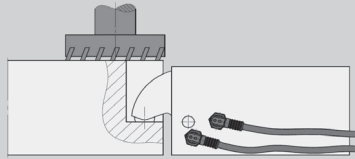
Sales — Phone (314) 647-6200 Fax (314) 647-5736

Engineering — Phone 1-800-827-2526 Web roemheld-usa.com

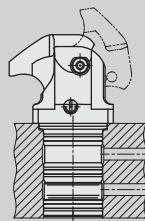
Down-Holding Clamps



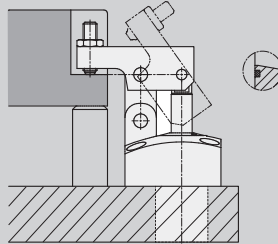
Flat Profile
pages 620-621



Compact Clamps
page 623



Hinge/Link Clamps
pages 624-626



Extending Clamps

Arm extends forward to clamp, then retracts again for clear loading when unclamped. Ideal for clamping in narrow recesses.

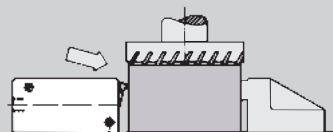
Flat Profile Clamps extend in a smooth, continuous radial motion. The arm retracts fully for loading. Choice of swivel-pad arm or spherical-nose arm. **Compact** Clamps have a sturdy lever mechanism that pivots into clamping position. These clamps are extremely compact both in footprint and overall height. The clamping lever pivots a full 90° for clear loading even when using custom long clamping levers. Ideal for clamping in narrow recesses.

Compact Clamps have a metallic wiper edge, and are especially suited for applications where space is limited. Two different clamping levers are available, which can be machined to adapt to your workpiece, then swiveled into small recesses for unimpeded loading and unloading. Four different sizes of the clamp are available, each with a short or long clamping arm.

Hinge or Link Clamps are ideal in narrow recesses, and have a fully retractable arm for clear loading from above. Hinge clamps are ideal for manifold mounting, and are available in more than 100 variations.



Low Profile
page 622



Edge Clamps

Nose advances to grip side of workpiece. Clamping thrust is both forward and down. Ideal when clamping from above would interfere with machining.

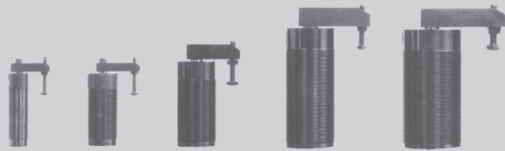
Low profile edge clamp sits below cutter path yet still clamps high on workpiece...important for solid, vibration-free clamping.



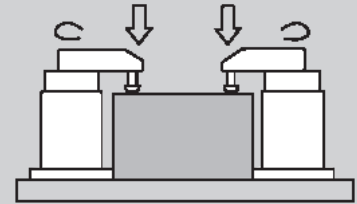
Down-Holding Clamps

Air-Powered Swing Clamps

Ideal when only light clamping force is required. Powered by low-pressure shop air.



pages 628-629



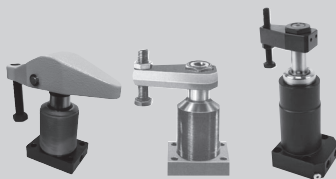
Swing Clamps

Arm swings 90 degrees then clamps down. Ideal when you need maximum reach and clearance for loading/unloading. Proprietary safety-clutch mechanism prevents damage if the clamping arm strikes an unexpected object during its swing.

Flange base swing clamp is good for taller workpieces. Very popular because it takes up little area on the fixture. Mount either on top of fixture or through fixture plate.

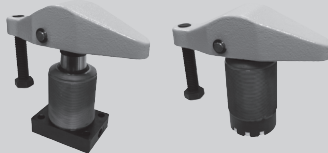
All threaded swing clamp is well-suited for through-hole mounting. Fittings are underneath clamp to keep plumbing away from workpiece area.

Top Flange swing clamp has high-level fittings. Mounts in a tapped or bored hole, with plumbing running above the fixture plate or using manifold mounting.



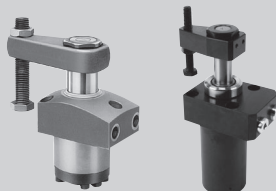
Flange Base

pages 630-631, 638



All Threaded

pages 630-631



Top Flange

pages 632-633, 637

Swing Clamp Arms pages 634-635



ROEMHELD
HILMA ■ STARK

Carr Lane Roemheld Mfg. Co.

Sales — Phone (314) 647-6200 Fax (314) 647-5736
Engineering — Phone 1-800-827-2526 Web roemheld-usa.com

Extending Clamps ■ Flat Clamp ■ B1.8231

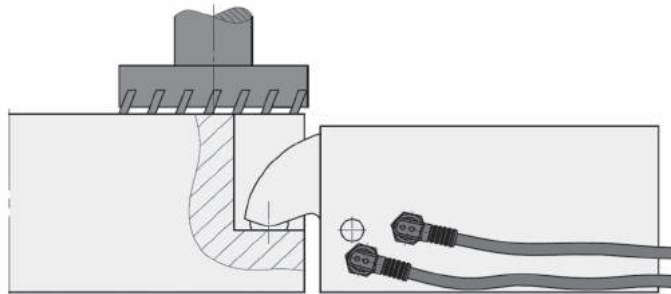
Flat Clamp ■ with optional position monitoring ■ Double Acting
Max. Operating Pressure ■ 7250 psi (500 bar)



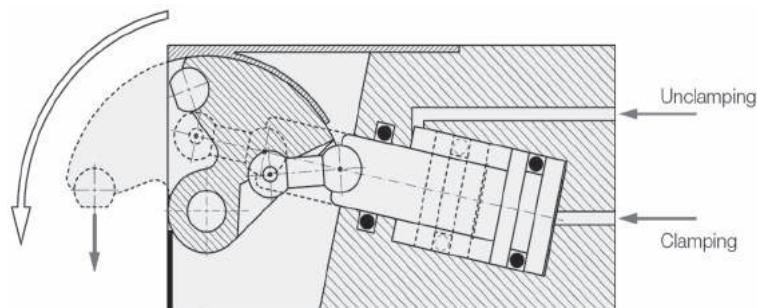
- Flat, compact design
- High protection against chips and spatter
- Large clamping stroke
- Clamping lever completely retracts
- Optional position monitoring
- Designed to resist side forces at the clamping point

The flat clamp is a double-acting hydraulic clamping element available in two sizes with two lever options. Oil can be supplied via fitting connection or manifold mounted. The clamping lever is connected to the piston by a connecting rod and retracts completely within the body of the clamp allowing for vertical part loading.

IMPORTANT NOTES: When mounted vertically, it is recommended to remove the cover plate to allow for coolant and chip drainage. Other notes can be found in A 0.100.



These extending clamps have an extremely low profile for excellent machining clearance.



Cutaway view of Swivel Nose Model

Subject to change. For further details, including detailed dimensions and mounting instructions, visit roemheld-usa.com.



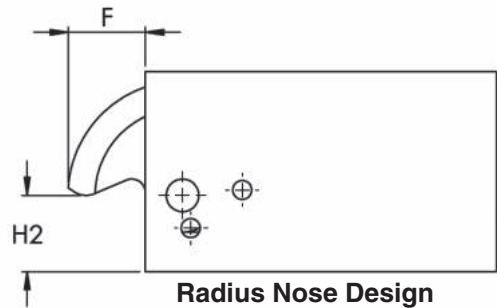
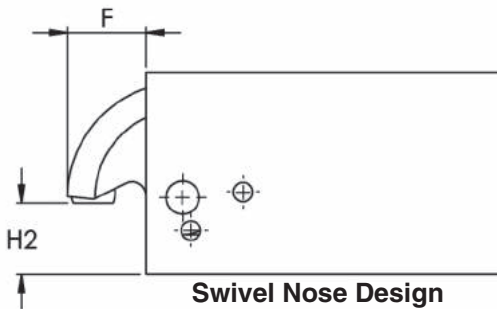
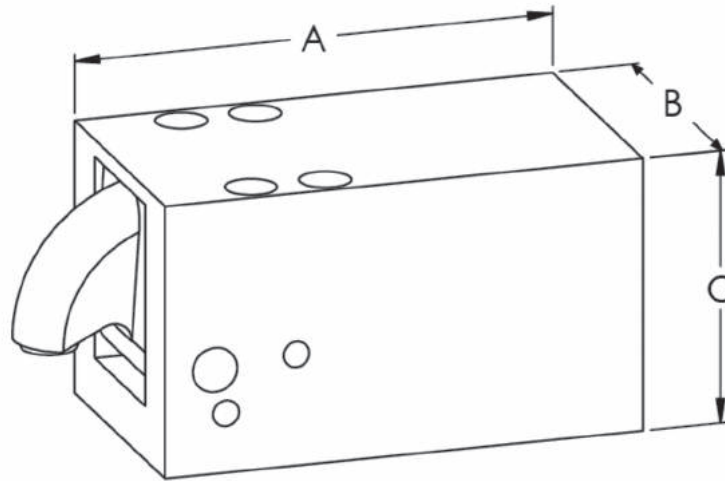
ROEMHELD
HILMA ■ STARK

Carr Lane Roemheld Mfg. Co.

Sales — Phone (314) 647-6200 Fax (314) 647-5736
Engineering — Phone 1-800-827-2526 Web roemheld-usa.com

Extending Clamps ■ **Flat Clamp** ■ B1.8231

Flat Clamp ■ with optional position monitoring ■ **Double Acting**
 Max. Operating Pressure ■ 7250 psi (500 bar)



Swivel Pad Contact Bolt

		Size 1	Size 2
Clamp Force (lbs)	7250 psi	3050	4940
	4000 psi	1680	2720
	2000 psi	840	1360
A		4.27	5.08
B		2.36	2.95
C		2.30	2.89
F		0.94	1.12
H2 (min.)		0.75	0.96
Weight (lbs)		5.0	9.5
Part No., Clamp		CLR-1824-202	CLR-1824-262

Radius Nose Contact Bolt

		Size 1	Size 2
Clamp Force (lbs)	7250 psi	2760	4780
	4000 psi	1520	2640
	2000 psi	760	1320
H2 (min.)		0.71	0.87
Part No., Clamp		CLR-1824-201	CLR-1824-261

Accessories

Part No., Screw Plug G 1/4	CLR-810-F
Part No., Plug Connection NW5	CLR-9210-132
Part No., Inductive Prox Switch	CLR-3829-263
Part No., Rt Angle Plug for Switch	CLR-3829-099

Subject to change. For further details, including detailed dimensions and mounting instructions, visit roemheld-usa.com.



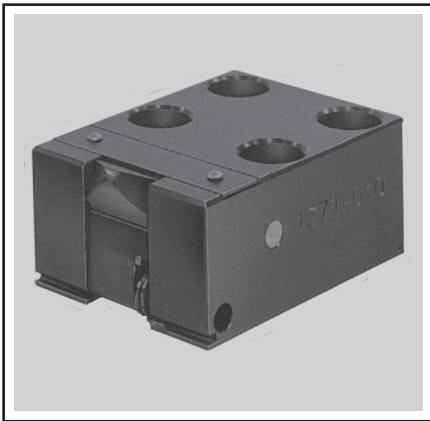
ROEMHELD
 HILMA ■ STARK

Carr Lane Roemheld Mfg. Co.

Sales — Phone (314) 647-6200 Fax (314) 647-5736
 Engineering — Phone 1-800-827-2526 Web roemheld-usa.com

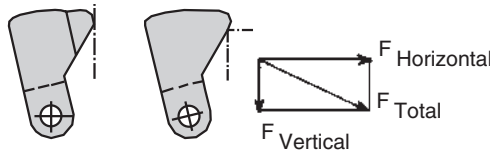
Edge Clamps

7250 psi max
Single acting



Low Profile

- Grips side of workpiece . . . pushes forward and down
- Ideal when clamping from above is difficult
- Down-holding force is 1/3 of total clamping force
- Sits low yet clamps high . . . just below the cutter path to reduce vibration
- Choice of three sizes

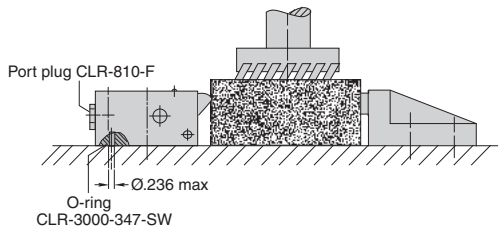
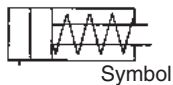


Low-profile edge clamps can be used to grip the side of a workpiece for machining clearance, or to clamp over the top edge.

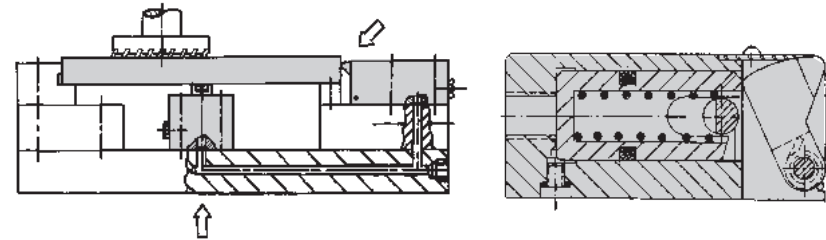
CLAMPING ACTION: Fluid pressure advances the cylinder, which in turn pivots the nose forward and down to grip side of workpiece. Spring return.

MOUNTING: Fasten with four socket-head cap screws. 1/4 BSPP connection. Same unit may be mounted without external plumbing lines. To manifold mount, order CLR-3000-347-SW O-ring and CLR-810-F port plug.

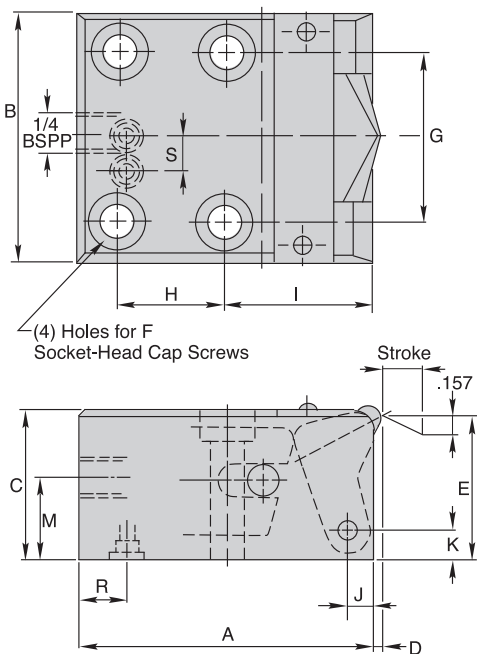
CONSTRUCTION: Internal cylinder pushes pivoting nose. Nose cover keeps out chips and debris. Body made from carbon steel, black oxide finish. Forged, alloy steel nose, hardened to RC 56-58. Nose is through-hardened so that it can be ground to suit the workpiece if desired.



Low-profile edge clamps can be mounted low, yet clamp up high, just below the cutter path to reduce vibration. Edge clamps can be manifold mounted on a flat surface by unplugging the bottom port and installing o-ring CLR-3000-347-SW, then plugging the 1/4 BSPP port with a CL-810-F port plug.



Edge clamp used with a block-type work support, both components manifold mounted for easy chip removal.



Clamping force (lbs)	7250 psi	1910	4495	8990
	6000 psi	1600	3700	7400
	5000 psi	1300	3100	6200
	4000 psi	1100	2500	5000
	3000 psi	790	1900	3700
Clamping stroke	.31	.39	.39	
Fluid required (in. ³)	.10	.30	.62	
Piston Ø	16mm	25mm	36mm	
Force per 1000 psi (lbs)	260	612	1223	
Max. operating pressure (psi)	7500	7500	7500	
A	2.677	3.543	3.780	
B	1.97	2.36	3.15	
C	1.26	1.57	1.97	
D	.079	0	.079	
E	1.220	1.535	1.929	
F	5/16 or M8	5/16 or M8	3/8 or M10	
G	1.260	1.575	2.205	
H	1.063	1.496	1.496	
I	1.260	1.654	1.811	
J	.217	.236	.315	
K	.236	.354	.433	
M	.75	.91	1.06	
R	.512	.551	.630	
S	0	0	.551	
Weight (lbs)	2.0	2.5	4.6	
Part No.	CLR-110-EC	CLR-310-EC	CLR-410-EC	

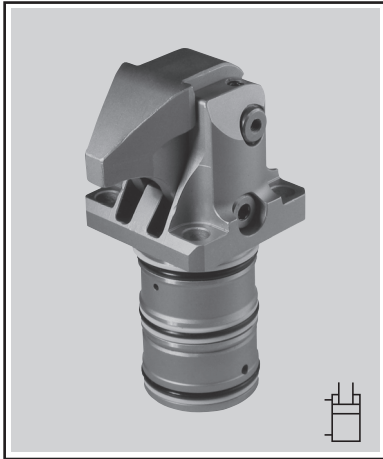


Carr Lane Roemheld Mfg. Co.

Sales — Phone (314) 647-6200 Fax (314) 647-5736
Engineering — Phone 1-800-827-2526 Web roemheld-usa.com

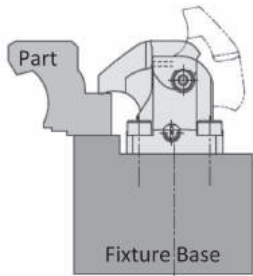
Extending Clamps ■ Compact Clamp ■ B1.827

Compact Clamp ■ Cartridge type with pneumatic clamping monitoring Double Acting ■ Max. Operating Pressure ■ 3625 psi (250 bar)

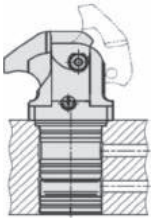


The compact clamp pivots over the workpiece, then clamps in a downward stroke without applying any side load to the part like similar clamps. When retracted, the arm is behind the front plane of the clamp allowing for unobstructed top loading. It has a small footprint with large clamping force. Metal wiper on piston rod and nitrated finish helps protect

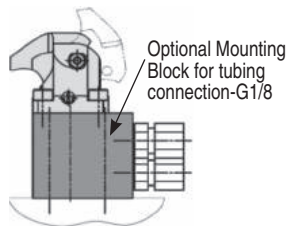
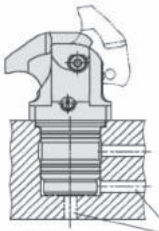
this clamp from chips and coolant for a long life cycle. Four Sizes, three mounting options and two arm options help the designer choose the optimal clamp for their application. The long arm can be machined to fit into pockets. The clamp for closed bore mounting does not include the lower protective cap which makes the overall height shorter.



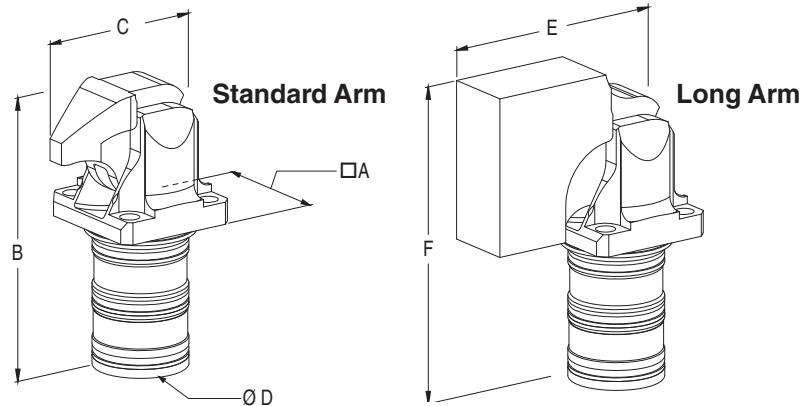
Open Bore Mounting



Closed Bore Mounting



Optional Mounting Block for tubing connection-G1/8



Clamp Force (lbs)		Size 1	Size 2	Size 3	Size 4	
		3625 psi	560	900	1680	2360
		2000 psi	310	495	930	1300
	1000 psi	150	245	465	650	

Open Bore Mounting

	Size 1	Size 2	Size 3	Size 4
A	1.34	1.65	1.89	2.17
B	3.03	3.33	3.90	4.15
C	1.73	1.93	2.38	2.52
Ø D	0.98	1.26	1.57	1.77
E	2.19	3.19	3.60	3.74
F	3.38	3.60	3.90	4.15
Weight standard version	0.60	1.06	1.87	2.31
Part No., Clamp - Standard Arm	CLR-1801-110	CLR-1802-110	CLR-1803-110	CLR-1804-110
Part No., Clamp - Long Arm	CLR-1801-130	CLR-1802-130	CLR-1803-130	CLR-1804-130

Closed Bore Mounting

	Size 1	Size 2	Size 3	Size 4
B	2.73	2.97	3.58	3.77
F	3.09	3.24	3.59	3.77
Weight standard version	0.53	0.93	1.68	2.03
Part No., Clamp - Standard Arm	CLR-1801-111	CLR-1802-111	CLR-1803-111	CLR-1804-111
Part No., Clamp - Long Arm	CLR-1801-131	CLR-1802-131	CLR-1803-131	CLR-1804-131

Accessories

Part No., Spare Standard Arm	CLR-3548-1121	CLR-3548-1122	CLR-3548-1123	CLR-3548-1124
Part No., Spare Long Arm	CLR-3548-1071	CLR-3548-1072	CLR-3548-1073	CLR-3548-1074
Part No., Mounting Block	CLR-3468-381	CLR-3468-382	CLR-3468-383	CLR-3468-384

Subject to change. For further details, including detailed dimensions and mounting instructions, visit roemheld-usa.com.



ROEMHELD
HILMA ■ STARK

Carr Lane Roemheld Mfg. Co.

Sales — Phone (314) 647-6200 Fax (314) 647-5736
Engineering — Phone 1-800-827-2526 Web roemheld-usa.com

Extending Clamps ■ Hinge Clamp ■ B1.829

Hinge Clamp with Flat Clamping Lever ■ with pneumatic position monitoring* Single and Double Acting ■ Max. Operating Pressure ■ 3625 psi (250 bar)

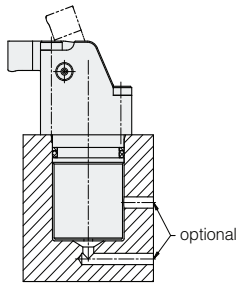


The cartridge style compact hinge clamp with flat clamping lever is especially suitable for fixtures with minimal space. It allows for machining of surfaces that are only a few millimeters above the clamping point. When clamping, the piston moves upwards against the rear edge of the lever and pivots it to the clamped position. The piston force is diverted 180° onto the workpiece. The force is dependent on the operating pressure and length of lever.

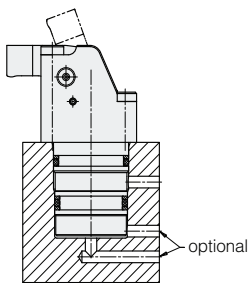
When unclamping the lever is pivots back to the unclamp position by means of a hook-shaped carrier on the piston. Double acting is required for time and cycle dependent installations, since the return stroke is precisely defined. Typical applications for double acting are multiple clamping fixtures with many workpieces that are closely arranged, rotary indexing fixtures in horizontal and vertical machining centers, assembly lines. These clamps are intended to be used with hydraulic fluid only.

Installation and connecting possibilities

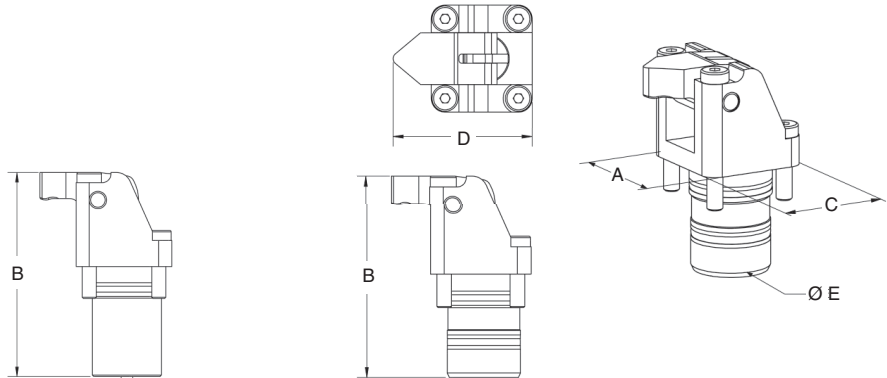
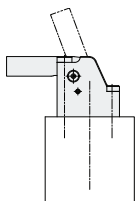
Single acting



Double acting



Long clamping lever (blank)



Single acting with standard arm

Double acting with standard arm

			Size 1	Size 2	Size 3	Size 4
Clamping Force (lbs)	3625 psi	Single acting	560	740	1300	2200
		Double acting	720	1125	1955	2920
	2000 psi	Single acting	310	410	720	1215
		Double acting	395	620	1080	1610
	1000 psi	Single acting	155	205	360	610
		Double acting	200	310	540	805

Single Acting - Without Position Monitoring

	Size 1	Size 2	Size 3	Size 4
A (in.)	1.38	1.65	2.09	2.60
B (in.)	2.77	3.45	3.91	5.02
C (in.)	1.30	1.65	2.13	2.48
D (in.)	1.83	2.28	2.95	3.48
Ø E (in.)	0.98	1.30	1.57	1.81
Weight (lbs) standard version	0.67	1.39	2.70	4.81
Part No., without standard arm	CLR-1829-610E00	CLR-1829-620E00	CLR-1829-630E00	CLR-1829-640E00
Part No., with standard arm	CLR-1829-610E18	CLR-1829-620E24	CLR-1829-630E28	CLR-1829-640E33

Double Acting - With Position Monitoring*

	Size 1	Size 2	Size 3	Size 4
B (in.)	2.62	3.21	3.94	4.41
Weight (lbs) standard version	0.63	1.27	2.53	4.18
Part No., without standard arm	CLR-1829-613D00	CLR-1829-623D00	CLR-1829-633D00	CLR-1829-643D00
Part No., with standard arm	CLR-1829-613D18	CLR-1829-623D24	CLR-1829-633D28	CLR-1829-643D33

Accessories

Part No., standard arm	CLR-0354-974	CLR-0354-975	CLR-0354-976	CLR-0354-977
Part No., long blank arm	CLR-0354-978	CLR-0354-979	CLR-0354-980	CLR-0354-981

Subject to change. For further details, including detailed dimensions and mounting instructions, visit roemheld-usa.com.



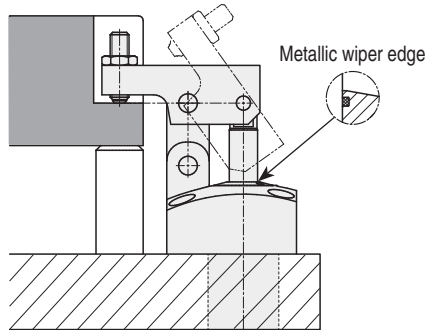
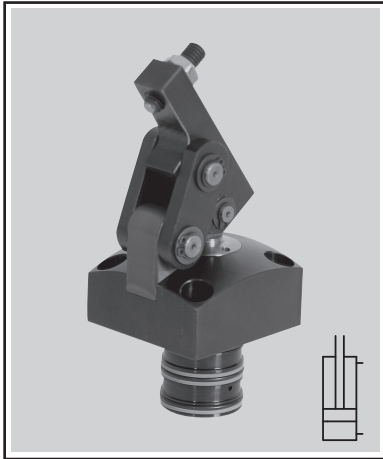
ROEMHELD
HILMA ■ STARK

Carr Lane Roemheld Mfg. Co.

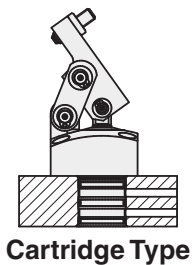
Sales — Phone (314) 647-6200 Fax (314) 647-5736
Engineering — Phone 1-800-827-2526 Web roemheld-usa.com

Extending Clamps ■ Hinge Clamp ■ B1.8251

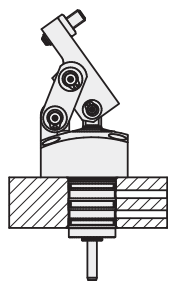
Hinge Clamp ■ with metal wiper and optional position monitoring
Double Acting ■ Max. Operating Pressure ■ 3625 psi (250 bar)



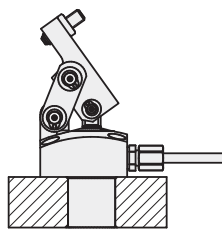
The hinge clamp family of workholding clamps offer many different variations in order to satisfy your fixturing goal. As the hydraulic piston moves upward, the hinge mechanism swivels the arm over your workpiece. The optimized design location of the pins and linkage can reduce or eliminate the transmission of side loading into your part. When retracted, the standard arm is behind the front plane of the clamp allowing for unobstructed top loading. It has a small footprint with large clamping force and FKM seals are standard. Metal wiper on piston rod and contoured top surface provides excellent protection from chips and coolant drainage for a long life cycle. Three sizes, three mounting options, and two arm options help the designer choose the optimal clamp for their application. The long arm can be machined to fit into pockets.



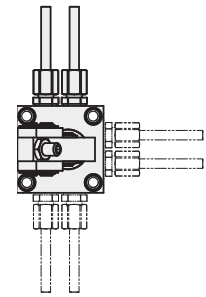
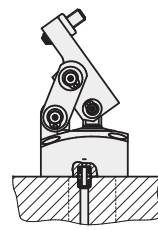
Cartridge Type



Cartridge type with extended piston for position monitoring

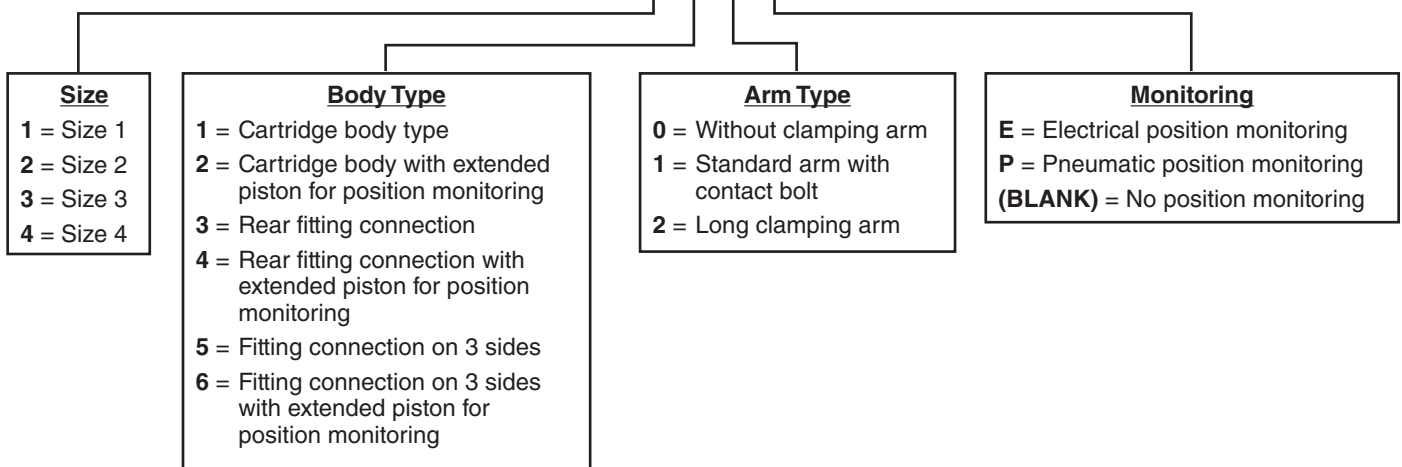


Solid body type shown with actuation via fitting connection (left) or connecting insert (right)



Fitting connections on three sides

Part Number Coding: CLR-1825-X X X X



Example: CLR-1825-231 = Size 2 clamp with rear fitting connection, standard arm and no monitoring.

Subject to change. For further details, including detailed dimensions and mounting instructions, visit roemheld-usa.com.



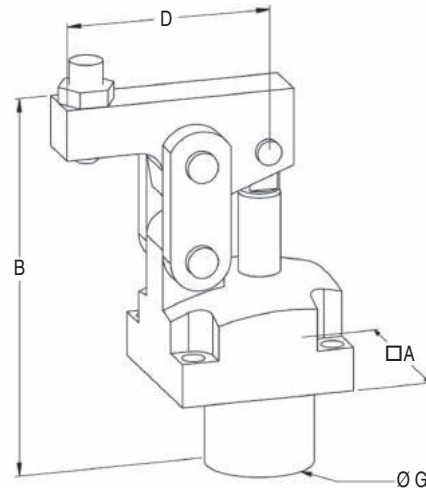
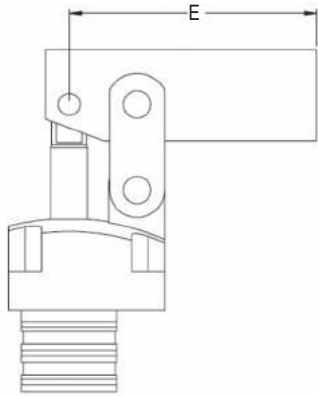
ROEMHELD
 HILMA ■ STARK

Carr Lane Roemheld Mfg. Co.
 Sales — Phone (314) 647-6200 Fax (314) 647-5736
 Engineering — Phone 1-800-827-2526 Web roemheld-usa.com

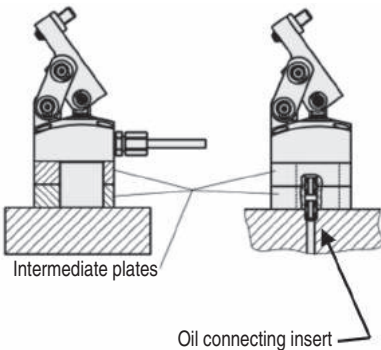
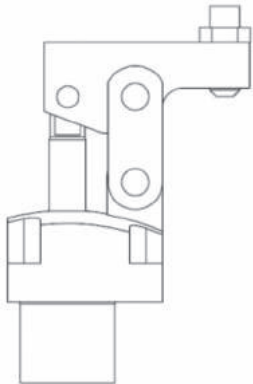
Extending Clamps ■ Hinge Clamp ■ B1.8251

Hinge Clamp ■ with metal wiper and optional position monitoring
Double Acting ■ Max. Operating Pressure ■ 3625 psi (250 bar)

Cartridge Body Style With Long Arm



Solid Body Type With Standard Arm



Clamping Force (lbs)	Size 1		Size 2		Size 3	
	3625 psi	890	2240	3190		
	2000 psi	490	1240	1760		
	1000 psi	240	620	880		

Cartridge type

	Size 1	Size 2	Size 3
A	2.17	2.76	3.35
B	4.41	6.26	7.38
D	2.07	2.85	3.39
E	3.27	4.51	5.32
G	1.18	1.65	2.05
Weight standard version (lbs)	2.4	6.0	10.2
Part No., Clamp - Standard Arm	CLR-1825-111	CLR-1825-211	CLR-1825-311
Part No., Clamp - Long Arm	CLR-1825-112	CLR-1825-212	CLR-1825-312

Fitting connection type

	Size 1	Size 2	Size 3
Part No., Clamp - Standard Arm	CLR-1825-131	CLR-1825-231	CLR-1825-331
Part No., Clamp - Long Arm	CLR-1825-132	CLR-1825-232	CLR-1825-332

Accessories

Part No., Intermediate Plate	CLR-3456-449	CLR-3456-468	CLR-3456-489
Part No., Oil Connecting Insert	CLR-9210-145	CLR-9210-145	CLR-9210-145

Subject to change. For further details, including detailed dimensions and mounting instructions, visit roemheld-usa.com.

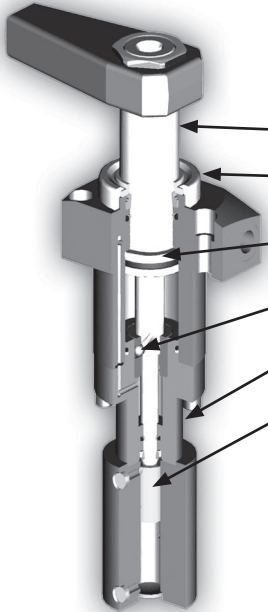


ROEMHELD
 HILMA ■ STARK

Carr Lane Roemheld Mfg. Co.

Sales — Phone (314) 647-6200 Fax (314) 647-5736
 Engineering — Phone 1-800-827-2526 Web roemheld-usa.com

Why Carr Lane Roemheld Swing Clamps?



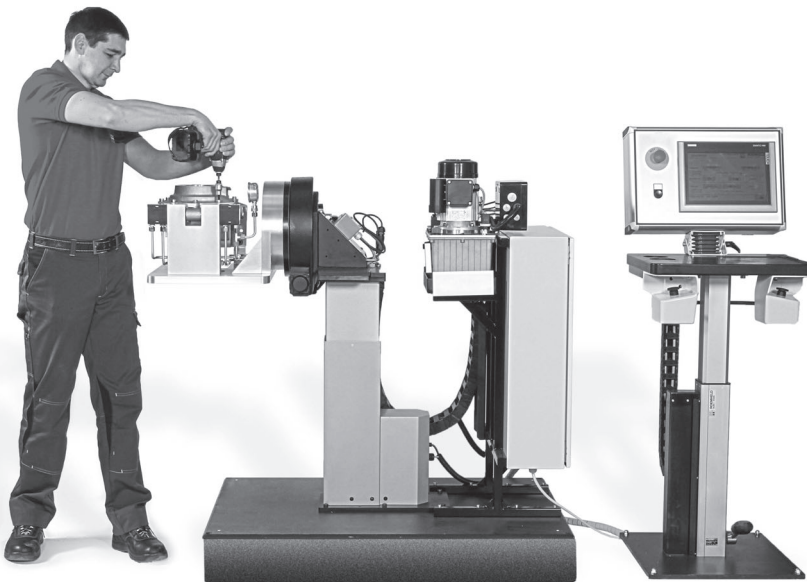
Designed for 1,000,000 cycles

2,000,000+ cycles tested at full load

- Rod diameter 30% larger to eliminate part deflection
- Viton wiper is standard (metal wiper optional)
- Exclusive safety clutch design available to prevent damage to part, fixture, or operator
- Reinforced swivel mechanism with 2 or 3 helix paths depending on size for longer life
- Up to 7500 psi maximum pressure for more compact clamp design
- Position monitoring available, either inductive or pneumatic via movable sensing bolt
- Over 1000 different standard sizes and styles available with clamping forces from 130 lb. to 8265 lb. stroke up to 2"
- Special stroke and clamping forces available upon request.

See Page 628-638

Versatile Modular Units For Assembly and Handling



- Combine our modular units to Lift, Tilt, Rotate or Move your assembly
- Easily move your assembly to optimal position to increase productivity and reduce fatigue
- Preset positions for long runs or adjustable locations for flexibility

See Pages 734-735



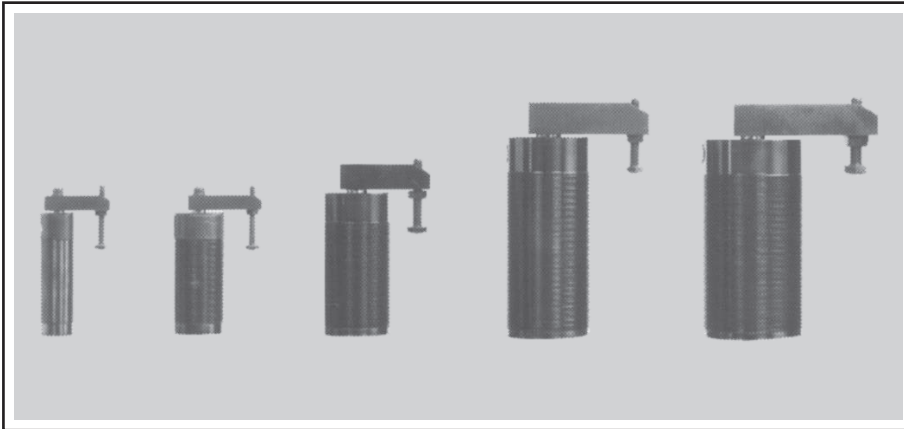
ROEMHELD
HILMA ■ STARK

Carr Lane Roemheld Mfg. Co.

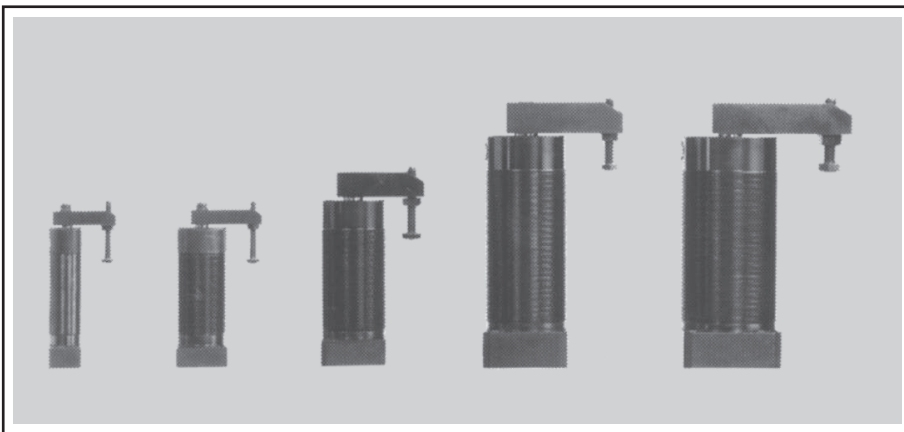
Sales — Phone (314) 647-6200 Fax (314) 647-5736
Engineering — Phone 1-800-827-2526 Web roemheld-usa.com

Air-Powered Swing Clamps

100 psi air max
Double acting only



All Threaded



Flange Base

- Use when light clamping force is desired
- Operates by air...no hydraulic power source needed
- Available with standard or long arm
- Double acting...clamp and return by air pressure
- Choice of five sizes

CLAMPING ACTION: Applying air pressure to upper port swings clamping arm 90° over the workpiece, then clamps down.

Note: Arm also moves down while swinging (see chart for stroke during swing). To unclamp, switch air pressure to the lower port. Choose part number for clockwise or counterclockwise rotation into clamping position.

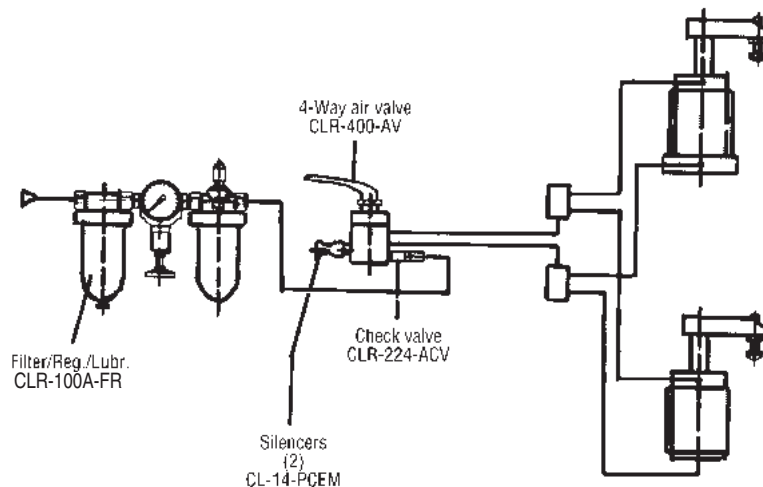
MOUNTING FLANGE BASE: Fasten base to fixture with four cap screws. Mount in any position horizontal or vertical.

MOUNTING, ALL THREADED: Mount in a bored hole, using the two locknuts furnished.

DESIGN CONSIDERATIONS: Do not use with hydraulic fluid, or above 100 psi (87 psi with long arm). Use an air check valve between the air supply and the 4-way air valve and clamps, and periodically check for leaks. Any leaks there would cause clamping pressure loss if the shop air supply fails. To ensure long clamp life, we recommend installing an Air Extractor/Dryer before the Filter/Regulator/Lubricator.

CLAMP ARM: Flange-base type can be mounted to start its 90° swing from any of four positions, 90° apart. All threaded type can be mounted to start its 90° swing from any position. Standard-length arm is furnished with clamp. Order long arm separately. Adjustable contact bolt furnished.

NOTE: These air clamps do not have safety clutch like hydraulic swing clamps.



Connection Example

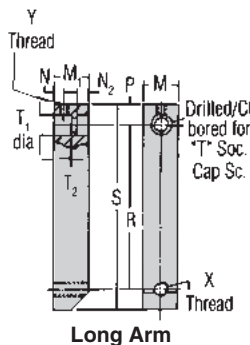
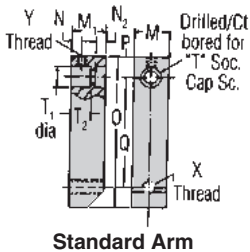
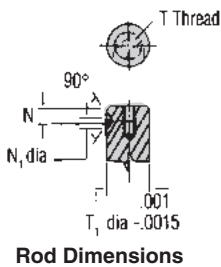
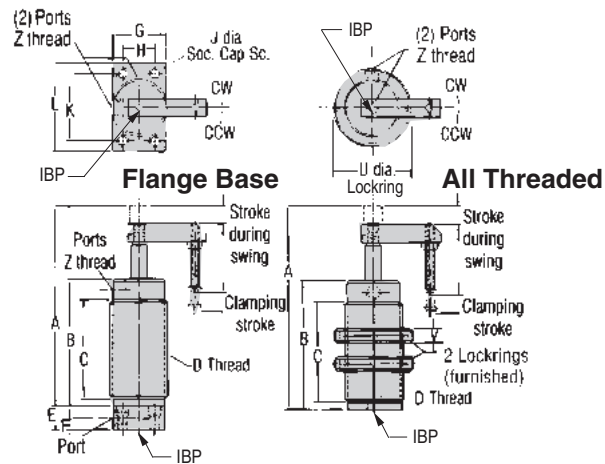


Air-Powered Swing Clamps

100 psi air max
Double acting only



New miniature size for light-force applications where space is at a premium.



Maximum clamping force std. arm, at 100 psi (air)	20	41	107	167	277
Lbs	Lbs	Lbs	Lbs	Lbs	Lbs
Max. air pressure, std. arm (psi)	100	100	100	100	100
Max. air pressure, long arm (psi)	87	87	87	87	87
Minimum air pressure (psi)	58	58	58	58	58
Clamping stroke	9/32	9/32	13/32	19/32	19/32
Stroke during swing	9/32	9/32	5/16	21/32	21/32
A, flanged/all threaded	3-27/32	3-25/32	4-1/2	6-9/16	6-9/16
B, flanged/all threaded	2-23/32	2-5/8	3-3/16	4-1/2	4-1/2
C	1-7/8	1-7/8	2-3/8	3-17/32	3-17/32
D	M20x1.0	M30x1.5	M40x1.5	M50x1.5	M60x1.5
E	15/32	15/32	5/8	7/8	7/8
F	3/16	3/16	3/8	1/2	1/2
G	3/4	1-3/16	1-1/2	1-31/32	2-1/4
H	—	.669	.906	1.181	1.575
J dia	1/4	1/4	1/4	5/16	5/16
K	1.378	1.693	1.969	2.362	2.598
L	1-31/32	2-3/8	2-9/16	3-5/32	3-11/32
M	15/32	15/32	19/32	3/4	3/4
M1	11/32	11/32	19/32	3/4	3/4
N	.138	.138	.138	.157	.157
N1	.138	.138	.138	.157	.157
N2	—	—	.236	.275	.275
O	1-15/32	1-21/32	2-1/16	2-3/4	3-5/16
P	9/32	9/32	13/32	15/32	15/32
Q	1	1-3/16	1-3/8	2	2-3/8
R	1-9/16	1-31/32	2-5/32	2-15/16	3-9/16
S	2-1/16	2-7/16	2-27/32	3-3/4	4-1/2
T	M4x10*	M4x10*	M5x10	M6x14	M6x14
T1 dia	.315	.315	.472	.591	.591
T2	.276	.276	.276	.315	.315
U dia	1-3/8	1-3/4	2-3/8	2-3/4	3-5/32
V	3/8	3/8	3/8	15/32	19/32
X	M4x0.7	M4x0.7	M6	M6	M8
Y	M3x0.5	M3x0.5	M4x0.7	M4x0.7	M4x0.7
Z	#10-32	#10-32	#10-32	1/8 NPT	1/8 NPT
Wt., flanged/all threaded (lbs)	1.0/0.8	1.2/0.9	1.8/1.1	4.0/2.8	5.3/3.7
Part no., flanged base CW	CLR-1872-104-ASC	CLR-1873-104-ASC	CLR-1874-104-ASC	CLR-1875-104-ASC	CLR-1876-104-ASC
Part no., flanged base CCW	CLR-1872-204-ASC	CLR-1873-204-ASC	CLR-1874-204-ASC	CLR-1875-204-ASC	CLR-1876-204-ASC
Part no., all threaded CW	CLR-1872-304-ASC	CLR-1873-304-ASC	CLR-1874-304-ASC	CLR-1875-304-ASC	CLR-1876-304-ASC
Part no., all threaded CCW	CLR-1872-404-ASC	CLR-1873-404-ASC	CLR-1874-404-ASC	CLR-1875-404-ASC	CLR-1876-404-ASC
Spare clamping arm, STD	CLR-0187-201-ASCA	CLR-0187-301-ASCA	CLR-0187-401-ASCA	CLR-0187-501-ASCA	CLR-0187-601-ASCA
Spare clamping arm, long	CLR-0187-202-ASCA	CLR-0187-302-ASCA	CLR-0187-402-ASCA	CLR-0187-502-ASCA	CLR-0187-602-ASCA
Spare lockring	CLR-200-ASCA	CLR-300-ASCA	CLR-400-ASCA	CLR-500-ASCA	CLR-600-ASCA

*Arm not counterbored (for capscrew). To avoid damage, clamps must take at least one full second to clamp.



ROEMHELD
HILMA ■ STARK

Carr Lane Roemheld Mfg. Co.

Sales — Phone (314) 647-6200 Fax (314) 647-5736
Engineering — Phone 1-800-827-2526 Web roemheld-usa.com

Swing Clamps

7250/3000 psi max
Single and double acting

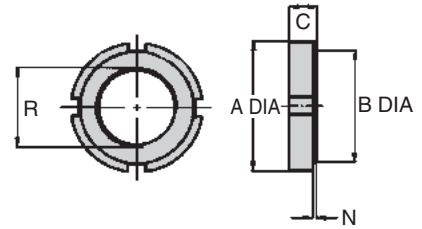


Flange Base

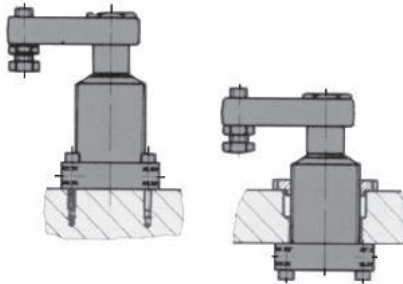


All Threaded

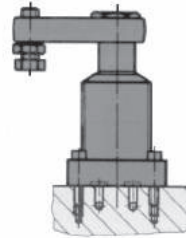
- Popular series of swing clamps that provides many plumbing options
- Unique safety clutch prevents damage if arm strikes an object during swing
- Double-acting clamps are also available with longer clamping strokes (25mm or 50mm). Please contact factory.
- Choice of four sizes (3, 5, 6, and 7 series)



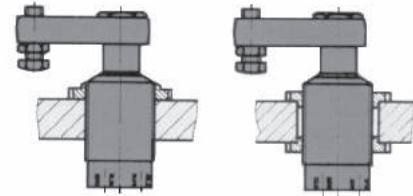
Lock Ring



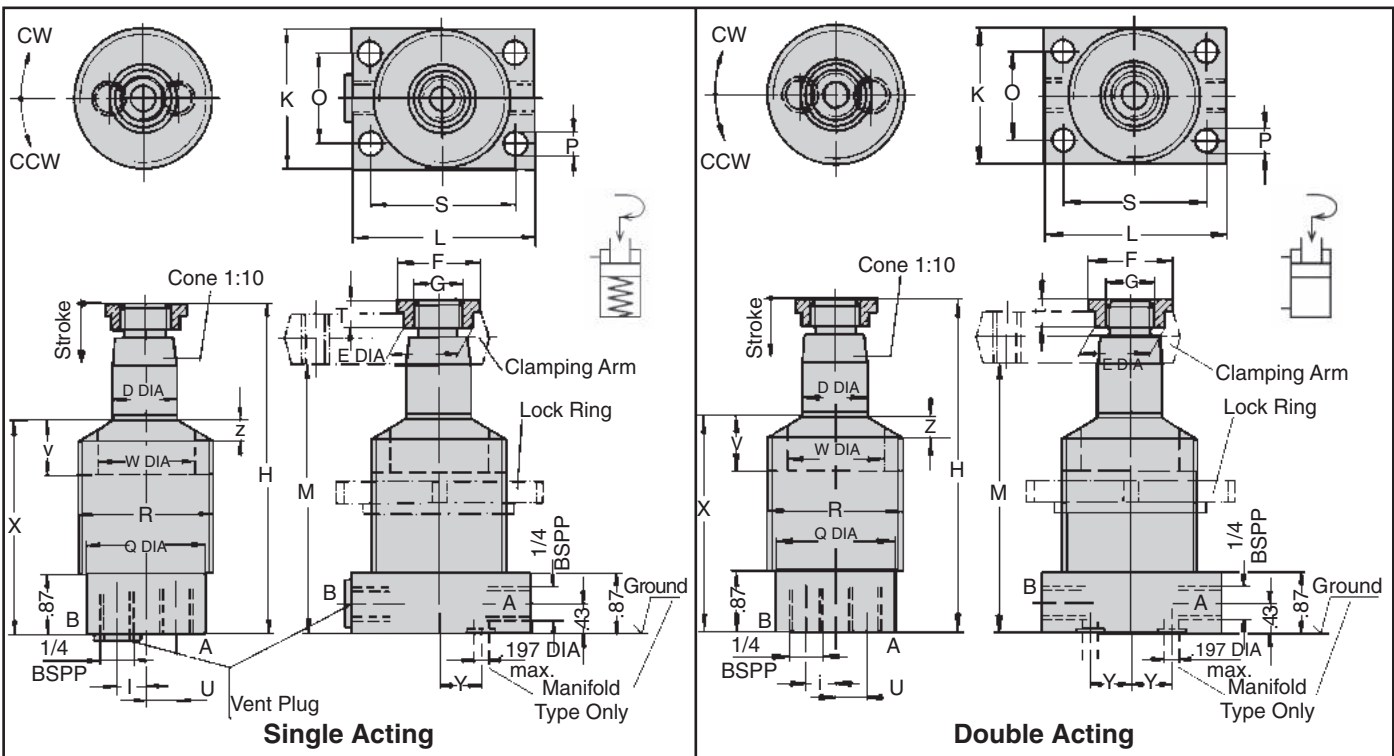
Version 1
Flange Base
Standard Fittings



Version 2
Flange Base
Manifold Mounted



Version 3
All Threaded
Standard Fittings



14



ROEMHELD
HILMA ■ STARK

Carr Lane Roemheld Mfg. Co.

Sales — Phone (314) 647-6200 Fax (314) 647-5736
Engineering — Phone 1-800-827-2526 Web roemheld-usa.com

Swing Clamps

7250/3000 psi max
Single and double acting

CLAMPING ACTION: Fluid pressure swings arm 90° over workpiece then clamps down. Spring return lifts arm then swings in back 90° for loading/unloading. Optional fluid return version (double-acting). Choose either clockwise or counterclockwise rotation to clamping position.

MOUNTING: Choose from many possible mounting methods: (1) Fasten to top of fixture plate with four capscrews inserted through flange base from above; (2) Mount through a hole in the fixture plate, fastening with four capscrews inserted through flange base from below; (3) Mount through a bored hole and secure with two lockrings. Mount in any position, horizontal or vertical. Standard clamping arm requires a rear support.

DESIGN CONSIDERATIONS: The clamping arm must go through its full swing to operate properly. Stopping the arm short by obstructing it could possibly cause damage. Use low operating pressure during initial setting. May require a simple flow-control valve if fixture contains only a few clamps and is powered by a high-flow-rate power source. See power source pages to check. Cycle time must be at least one second.

STANDARD CLAMPING ARM: Rugged nodular iron arm pivots on a forged steel carrier. Arm can be mounted to start its 90° swing from any position within 360°. Contact bolt furnished.

OPTIONAL HALF ARM: Forged steel, furnished with contact bolt. Whenever possible, use standard clamping arms, with rear supports, for best mechanical leverage and full clamping force. Half arms are more compact and useful when there is no room for a rear support, but the maximum clamping force is greatly reduced. Half arms cause bending in the piston rods. This bending lowers the allowable maximum fluid pressure to 3000 psi. Exceeding 3000 psi can cause internal damage and decrease service life considerably. Arm extensions will further reduce the allowable operating pressure (inversely proportional to arm length.) To order Swing Clamps with half arms instead of standard arms, add an "H" to the part no.

FLUID CONNECTION: Male 37° tubing/hose connection (two with double-acting clamps). Do not use NPT fittings.

CONSTRUCTION: Sturdy helical-cam mechanism first rotates arm, then clamps. Integral safety clutch. Unit sealed to keep out dirt and chips.

Clamping force (lbs) standard pivoting arm SA/DA (lbs)	7250 psi	1065/1080	2810/2845	4120/4495	7305/7490
	6000 psi	860/920	2200/2300	3400/3700	6000/6500
	5000 psi	710/770	1800/2000	2800/3100	4900/5500
	4000 psi	580/620	1480/1560	2340/2480	4030/4340
	3000 psi	400/450	960/1200	1600/1900	2800/3300
Clamping force half arm SA/DA (lbs) See pgs. 646-648 for special arm lengths	3000 psi	540/630	1320/1560	1700/2360	3360/3810
Clamping stroke	.43	.55	.59	.59	.59
Stroke during swing	.28	.32	.43	.35	.35
Fluid required to clamp (cu. in.)	.20	.61	1.12	1.69	1.69
Fluid required to unclamp, DA (cu. in.)	.54	1.69	3.11	4.60	4.60
Max. fluid flow rate (cu. in./min.)	11	36	67	101	101
Min. operating pressure (psi)	450	450	450	450	450
A Dia	2.68	3.54	4.53	5.12	5.12
B Dia	2.047/2.039	2.677/2.669	3.543/3.535	3.937/3.929	3.937/3.929
C	.47	.51	.63	.63	.63
D Dia	.787	1.260	1.575	1.969	1.969
E Dia	.925	1.319	1.772	2.185	2.185
F Dia	1.18	1.57	2.17	2.68	2.68
G	M18 x 1.5	M28 x 1.5	M35 x 1.5	M45 x 1.5	M45 x 1.5
H	4.98	5.81	6.77	7.17	7.17
I	.47	.49	.75	1.00	1.00
K	1.77	2.48	3.15	3.54	3.54
L	2.56	3.35	3.94	4.53	4.53
M (standard arm/half arm)	4.13/4.13	4.69/4.69	5.43/5.43	5.69/5.69	5.69/5.69
N	.12	.16	.20	.20	.20
O	1.181	1.732	2.362	2.677	2.677
P Dia	.256	.335	.531	.630	.630
Q Dia	1.69	2.28	3.03	3.46	3.46
R	M45 x 1.5	M60 x 1.5	M80 x 2	M90 x 2	M90 x 2
S	1.969	2.559	3.150	3.543	3.543
T	.354	.394	.433	.472	.472
U	.47	.77	1.04	1.34	1.34
V	.79	.79	1.18	1.57	1.57
W Dia	1.26	1.97	2.36	2.76	2.76
X	3.33	3.72	4.33	4.57	4.57
Y	.591	1.102	1.220	1.476	1.476
Z	.20	.24	.24	.35	.35
Part No., Lock Ring	CLR-300-SCA	CLR-500-SCA	CLR-600-SCA	CLR-700-SCA	CLR-700-SCA
Part No., Standard Pivoting Arm	CLR-302-SCA	CLR-502-SCA	CLR-602-SCA	CLR-702-SCA	CLR-702-SCA
Part No., Half Arm	CLR-301-SCA	CLR-501-SCA	CLR-601-SCA	CLR-701-SCA	CLR-701-SCA

Flange Base – Standard Fittings

Part No., Clamp without Arm	Single-Acting, CW	CLR-1883-104-SC	CLR-1885-104-SC	CLR-1886-104-SC	CLR-1887-104-SC
	Single-Acting, CCW	CLR-1883-204-SC	CLR-1885-204-SC	CLR-1886-204-SC	CLR-1887-204-SC
Part No., Clamp with Standard Arm	Double-Acting, CW	CLR-1893-104-SCD	CLR-1895-104-SCD	CLR-1896-104-SCD	CLR-1897-104-SCD
	Double-Acting, CCW	CLR-1893-204-SCD	CLR-1895-204-SCD	CLR-1896-204-SCD	CLR-1897-204-SCD
Part No., Clamp with Standard Arm	Single-Acting, CW	CLR-314-SC	CLR-514-SC	CLR-614-SC	CLR-714-SC
	Single-Acting, CCW	CLR-324-SC	CLR-524-SC	CLR-624-SC	CLR-724-SC
	Double-Acting, CW	CLR-314-SCD	CLR-514-SCD	CLR-614-SCD	CLR-714-SCD
	Double-Acting, CCW	CLR-324-SCD	CLR-524-SCD	CLR-624-SCD	CLR-724-SCD

Flange Base – Manifold Mounted

Part No., Clamp without Arm	Single-Acting, CW	CLR-1883-504-SC	CLR-1885-504-SC	CLR-1886-504-SC	CLR-1887-504-SC
	Single-Acting, CCW	CLR-1883-604-SC	CLR-1885-604-SC	CLR-1886-604-SC	CLR-1887-604-SC
Part No., Clamp with Standard Arm	Double-Acting, CW	CLR-1893-504-SCD	CLR-1895-504-SCD	CLR-1896-504-SCD	CLR-1897-504-SCD
	Double-Acting, CCW	CLR-1893-604-SCD	CLR-1895-604-SCD	CLR-1896-604-SCD	CLR-1897-604-SCD
Part No., Clamp with Standard Arm	Single-Acting, CW	CLR-354-SC	CLR-554-SC	CLR-654-SC	CLR-754-SC
	Single-Acting, CCW	CLR-364-SC	CLR-564-SC	CLR-664-SC	CLR-764-SC
	Double-Acting, CW	CLR-354-SCD	CLR-554-SCD	CLR-654-SCD	CLR-754-SCD
	Double-Acting, CCW	CLR-364-SCD	CLR-564-SCD	CLR-664-SCD	CLR-764-SCD

All Threaded – Standard Fittings

Part No., Clamp without Arm	Single-Acting, CW	CLR-1883-304-SC	CLR-1885-304-SC	CLR-1886-304-SC	CLR-1887-304-SC
	Single-Acting, CCW	CLR-1883-404-SC	CLR-1885-404-SC	CLR-1886-404-SC	CLR-1887-404-SC
Part No., Clamp with Standard Arm	Double-Acting, CW	CLR-1893-304-SCD	CLR-1895-304-SCD	CLR-1896-304-SCD	CLR-1897-304-SCD
	Double-Acting, CCW	CLR-1893-404-SCD	CLR-1895-404-SCD	CLR-1896-404-SCD	CLR-1897-404-SCD
Part No., Clamp with Standard Arm	Single-Acting, CW	CLR-334-SC	CLR-534-SC	CLR-634-SC	CLR-734-SC
	Single-Acting, CCW	CLR-344-SC	CLR-544-SC	CLR-644-SC	CLR-744-SC
	Double-Acting, CW	CLR-334-SCD	CLR-534-SCD	CLR-634-SCD	CLR-734-SCD
	Double-Acting, CCW	CLR-344-SCD	CLR-544-SCD	CLR-644-SCD	CLR-744-SCD

* Single-acting clamp with standard pivoting arm.



3000 psi maximum

Optional Half Arm

To order a Swing Clamp with a half arm instead of a standard pivoting arm, add on "H" to the part no. Example:

CLR-314-SC Standard Arm
CLR-314-SCH Half Arm



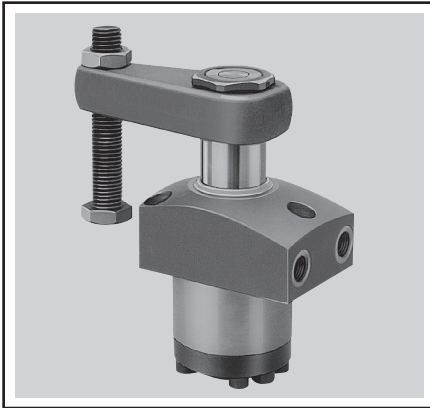
ROEMHELD
HILMA ■ STARK

Carr Lane Roemheld Mfg. Co.

Sales — Phone (314) 647-6200 Fax (314) 647-5736
Engineering — Phone 1-800-827-2526 Web roemheld-usa.com

Swing Clamps

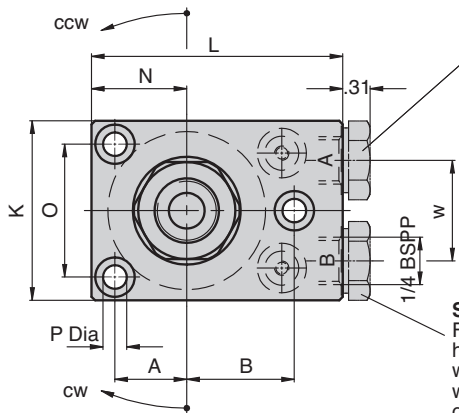
7250 psi max
Single and double acting



Top Flange

CLAMPING ACTION: Fluid pressure swings arm 90° over workpiece then clamps down. Spring return lifts arm then swings it back 90° for loading/unloading. Optional fluid return version (double-acting). Choose either clockwise or counterclockwise rotation to clamping position.

DESIGN CONSIDERATIONS: The clamping arm must go through its full swing to operate properly. Stopping the arm short by obstructing it could possibly cause damage. Use low operating pressure during initial setting. May require a simple flow-control valve if fixture contains only a few clamps and is powered by a high-flow-rate power source. See power source pages to check. Swing cycle time must be at least one second.



Double-acting elements:

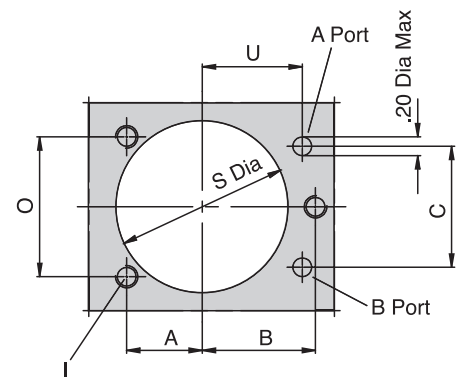
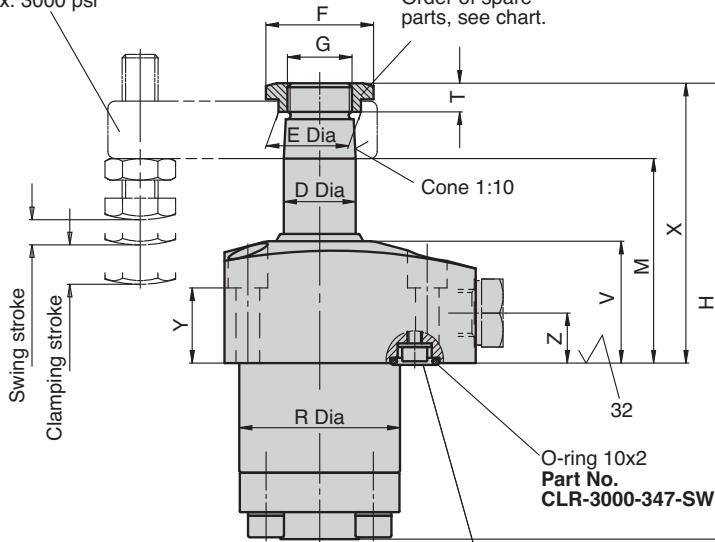
For manifold mounting remove socket head cap screws and USIT-rings. Screw in two plugs CLR-810-F. (Not included).

Single-acting elements:

For manifold mounting at port A, remove socket head cap screw and USIT-ring, close port 1/4 BSPP with plug CLR-810-F. Port B is normally closed with a plug with sintered metal air filter. Bleeding of the spring area by drilled channels at port B is possible, plug CLR-810-F is required for this purpose.

Accessory:
Clamping arm assembly complete for max. 3000 psi

Nut is included in our delivery. Order of spare parts, see chart.



A Port = Clamping
B Port = Venting (single acting)
B Port = Unclamping (double acting)

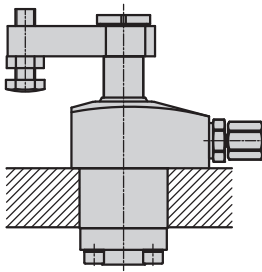
Double-acting elements:

For manifold mounting remove socket head cap screws and USIT-rings. Screw in two plugs CLR-810-F. (Not included).

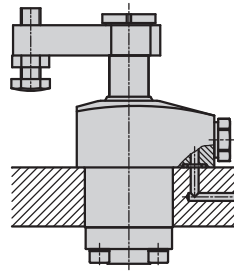
Swing Clamps

7250 psi max
Single and double acting

Connecting possibilities



Tube connection



Top Flange with O-ring
sealing for manifold mounting

FLUID CONNECTION: 1/4 BSPP Port fittings with optional manifold mounting.

CONSTRUCTION: Sturdy helical-cam mechanism first rotates arm, then clamps. Integral safety clutch. Unit sealed to keep out dirt and chips.

INFO+: See pages 634-635 for arm options. Also available in 60° and 45° swing.

Clamping force (lbs) standard pivoting arm SA/DA (lbs)	7250 psi	1130/1125	2755/2845	4420/4495	7680/7865
	6000 psi	860/920	2200/2300	3400/3700	6000/6500
5000 psi	710/770	1800/2000	2800/3100	4900/5500	
4000 psi	580/620	1480/1560	2340/2480	4030/4340	
3000 psi	400/450	960/1200	1600/1900	2800/3300	
Clamping force half arm SA/DA (lbs) See pgs. 622-623 for special arm lengths	3000 psi	540/630	1320/1560	1700/2360	3360/3810
Clamping stroke	.43	.55	.59	.59	
Swing stroke	.28	.31	.43	.35	
Total stroke	.71	.86	1.02	.94	
Operating pressure to swing min. (psi)	450	450	450	450	
Max. oil flow rate (cu.in)	.11	.36	.67	.101	
Oil to clamp (cu.in.)	.20	.61	1.12	1.69	
Oil to return (cu.in.)	.54	1.69	3.11	4.58	
D Dia	.787	1.260	1.575	1.969	
A	.787	1.063	1.457	1.654	
B	1.181	1.496	1.969	2.165	
C	1.260	1.811	2.441	2.953	
E Dia	.93	1.32	1.77	2.19	
F	1.18	1.57	2.17	2.68	
G	M18 x 1.5	M28 x 1.5	M35 x 1.5	M45 x 1.5	
H	4.98	5.81	6.77	7.17	
I	M6	M8	M10	M12	
K	1.97	2.48	3.35	3.74	
L	2.76	3.35	4.33	4.92	
M	2.22	2.60	2.76	2.72	
N	1.04	1.36	1.85	2.17	
O	1.457	1.890	2.559	2.835	
P Dia	.26	.35	.43	.55	
R Dia	1.76	2.35	3.14	3.54	
S Dia	1.79	2.38	3.17	3.56	
T	.35	.39	.43	.47	
U	1.043	1.220	1.575	1.772	
V	1.34	1.57	1.57	1.57	
W	1.10	1.61	2.17	2.76	
X	3.07	3.70	4.09	4.29	
Y	.83	.87	.59	.55	
Z	.55	.55	.47	.47	

Single Acting

Part No., Clockwise rotation	CLR-1883-103-SC	CLR-1885-103-SC	CLR-1886-103-SC	CLR-1887-103-SC
Part No., Counterclockwise rotation	CLR-1883-203-SC	CLR-1885-203-SC	CLR-1886-203-SC	CLR-1887-203-SC
Part No., 0 degree	CLR-1883-243-SC	CLR-1885-243-SC	CLR-1886-243-SC	CLR-1887-243-SC

Double Acting **

Part No., Clockwise rotation	CLR-1893-103-SCD	CLR-1895-103-SCD	CLR-1896-103-SCD	CLR-1897-103-SCD
Part No., Counterclockwise rotation	CLR-1893-203-SCD	CLR-1895-203-SCD	CLR-1896-203-SCD	CLR-1897-203-SCD
Part No., 0 degree	CLR-1893-243-SCD	CLR-1895-243-SCD	CLR-1896-243-SCD	CLR-1897-243-SCD

** Longer stroke versions available - Consult Engineering.



Carr Lane Roemheld Mfg. Co.

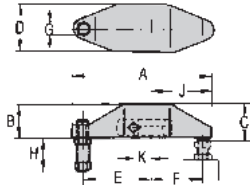
Sales — Phone (314) 647-6200 Fax (314) 647-5736
Engineering — Phone 1-800-827-2526 Web roemheld-usa.com

Swing Clamp Arms

7250 psi max
Single and double acting

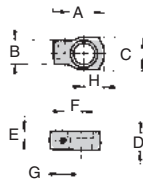
Swing Clamp Part Number	Arm Size
CLR-3XX-SC(D)	Small
CLR-5XX-SC(D)	Medium
CLR-6XX-SC(D)	Large
CLR-7XX-SC(D)	Extra Large

Swing Clamp Part Number	Arm Size
CLR-18X3-XXX-SC(D)	Small
CLR-18X5-XXX-SC(D)	Medium
CLR-18X6-XXX-SC(D)	Large
CLR-18X7-XXX-SC(D)	Extra Large



Standard Arm (Includes Carrier & Contact Bolt)

Size	Part No.	A	B	C	D	E	F	G	H	J	K
Small	CLR-0354-000-SCA	4.8	1.18	1.24	1.73	2.36	1.77	M10	.16-2.5	2.09	.57
Medium	CLR-0354-002-SCA	7.28	1.77	1.85	2.3	3.27	2.95	M16	.35-3.13	3.43	.88
Large	CLR-0354-041-SCA	8	2.13	2.22	3.23	3.62	3.23	M16	.35-3.75	3.74	1.1
Extra Large	CLR-0354-004-SCA	8.78	2.32	2.42	3.86	3.94	3.54	M20	.47-4.13	4.33	1.3



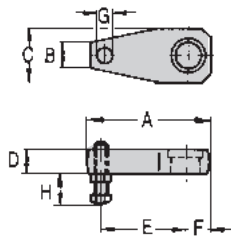
Carrier Only

Size	Part No.	A	B	C	D	E	F	G Dia.	H
Small	CLR-3542-093-SCA	1.81	1.02	1.26	0.63	0.33	0.57	.3150	0.63
Medium	CLR-3542-094-SCA	2.32	1.26	1.57	0.91	0.39	0.83	.3937	0.87
Large	CLR-3542-132-SCA	3.23	1.75	2.28	1.1	0.43	1.1	.4724	1.34
Extra Large	CLR-3542-096-SCA	3.54	2.2	2.68	1.34	0.51	1.3	.5512	1.42



Untapped Half Arm

Size	Part No.	A	B	C	D	F
Small	CLR-3921-016-SCA	2.95	.63	1.26	.63	.63
Medium	CLR-3921-017-SCA	4.53	0.87	1.89	0.91	0.98
Large	CLR-3921-021-SCA	5.51	1.1	2.36	1.1	1.18
Extra Large	CLR-3921-018-SCA	7.01	1.57	3.07	1.34	1.57



Tapped Half Arm (Includes Contact Bolt)

Size	Part No.	A	B	C	D	E	F	G	H
Small	CLR-0354-001-SCA	2.95	0.63	1.26	0.63	1.97	0.63	M10	.24-2.52
Medium	CLR-0354-003-SCA	4.53	0.87	1.89	0.91	2.95	0.98	M16	.36-3.11
Large	CLR-0354-042-SCA	5.51	1.1	2.36	1.1	3.74	1.18	M16	.36-3.11
Extra Large	CLR-0354-005-SCA	7.01	1.57	3.07	1.34	4.72	1.57	M20	.48-3.86

14



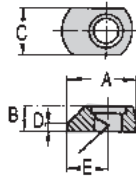
ROEMHELD
HILMA ■ STARK

Carr Lane Roemheld Mfg. Co.

Sales — Phone (314) 647-6200 Fax (314) 647-5736
Engineering — Phone 1-800-827-2526 Web roemheld-usa.com

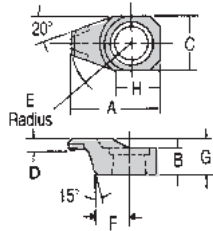
Swing Clamp Arms

7250 psi max
Single and double acting



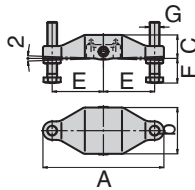
Short Arm

Size	Part no.	A	B	C	D	E
Small	CLR-3548-159-SCA	1.61	0.63	1.26	0.24	0.98
Medium	CLR-3548-165-SCA	2.4	0.91	1.89	0.24	1.46
Large	CLR-3548-304-SCA	2.99	1.1	2.36	0.43	1.77
Extra Large	CLR-3548-163-SCA	3.54	1.34	3.07	0.55	2.05



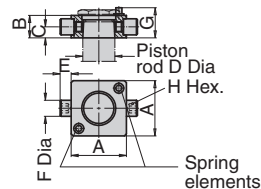
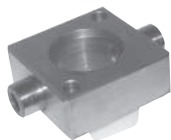
Thin Nose Arm

Size	Part no.	A	B	C	D	E	F	G	H
Small	CLR-3548-238-SCA	2.03	0.61	1.26	0.26	1.32	0.78	0.83	1.03
Medium	CLR-3548-236-SCA	2.99	0.89	1.81	0.35	1.97	0.88	1.1	1.31
Large	CLR-3548-301-SCA	3.94	1.1	2.6	0.43	2.52	1.72	1.34	1.94
Extra Large	CLR-3548-302-SCA	4.84	1.34	2.95	0.51	3.25	1.84	1.57	2.13



Double Arm (Includes Carrier & Contact Bolts)

Size	Part no.	A	B	C	D	E	F Max.
Small	CLR-0354-131-SCA	5.43	2.32	1.12	M10	2.36	2.52
Medium	CLR-0354-132-SCA	7.72	2.95	1.5	M16	3.27	3.11
Large	CLR-0354-133-SCA	8.5	3.35	1.85	M16	3.62	3.11
Extra Large	CLR-0354-134-SCA	9.29	4.13	2.2	M20	3.94	3.86

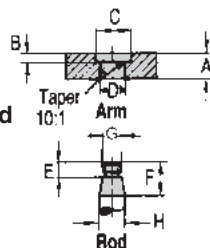


Carrier Only For Double-Arm

Size	Part no.	A	B	C	D Dia	E	F Dia	G*	H Hex
Small	CLR-0354-141-SCA	1.69	0.63	0.3	.79	0.35	0.39	0.85	M5
Medium	CLR-0354-142-SCA	2.17	0.91	0.43	1.26	0.43	0.63	1.14	M8
Large	CLR-0354-143-SCA	2.48	1.1	0.59	1.57	0.47	0.71	1.38	M8
Extra Large	CLR-0354-144-SCA	3.03	1.34	0.67	1.97	0.59	0.79	1.61	M8

*Stop for spring elements

Dimensions for Customer Manufactured Arms



Customer Manufactured Arm

Clamp Size	A	B	C Dia.	D Dia (10:1 taper)	E	F	G	H Dia.
Small	0.63	0.16	0.94	.7815/.7835	0.39	0.83	M18x1.5	0.79
Medium	0.91	0.2	1.34	1.2539/1.2559	0.47	1.1	M28x1.5	1.26
Large	1.1	0.2	1.81	1.5689/1.5709	0.47	1.34	M35x1.5	1.57
Extra Large	1.34	0.24	2.2	1.9626/1.9646	0.51	1.57	M45x1.5	1.97

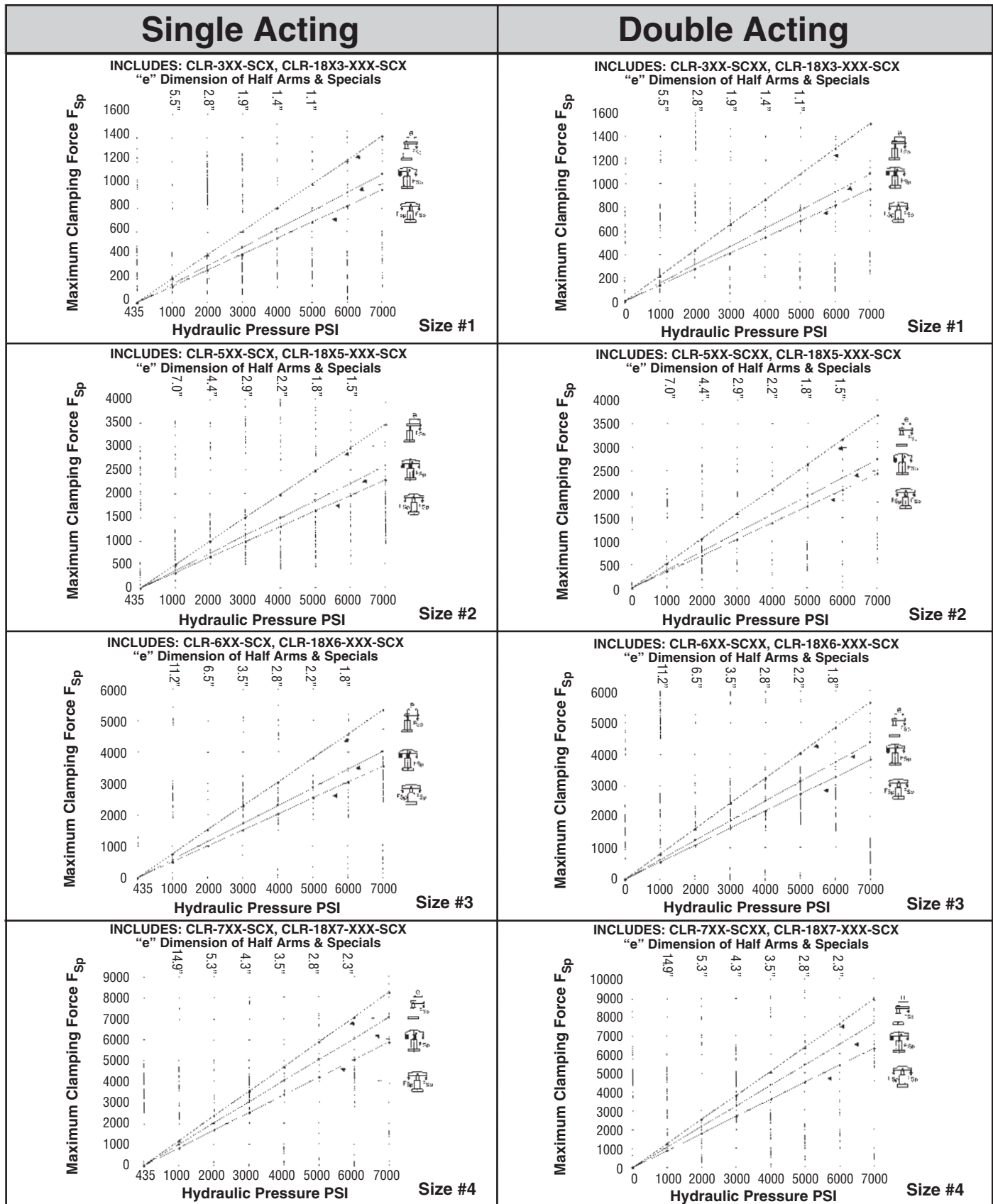


ROEMHELD
HILMA ■ STARK

Carr Lane Roemheld Mfg. Co.

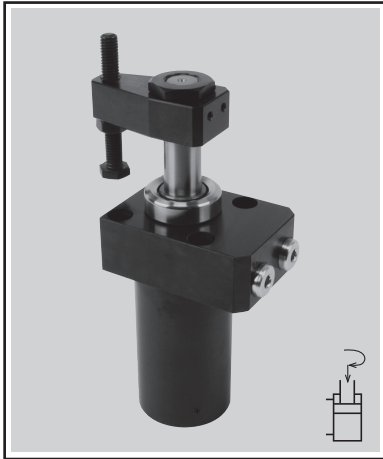
Sales — Phone (314) 647-6200 Fax (314) 647-5736
Engineering — Phone 1-800-827-2526 Web roemheld-usa.com

Swing Clamp Arm Options



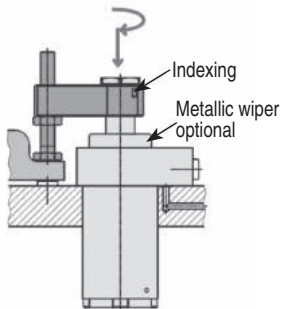
Swing Clamps ■ Robust Swing Mechanism ■ B1.853

Swing Clamps ■ Top flange type with multiple position monitoring options
Double Acting ■ Max. Operating Pressure ■ 5075 psi (350 bar)

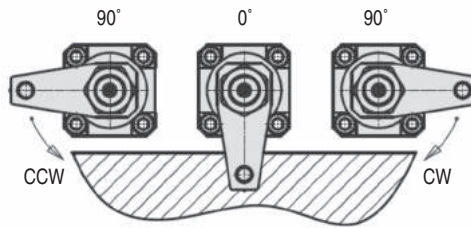


The hydraulic swing clamp is a pull type cylinder where a part of the total stroke is used to swing the piston, for when it is essential to keep the clamping area free for unrestricted workpiece loading/unloading. High clamping force at low pressures. The sturdy swing mechanism in combination with restricted

flow rate, allows larger custom arms. Special swing angle and indexing of clamp arm available. Special swing angle and indexing of clamp arm available. Multiple pneumatic and electric position monitoring available. Metallic wiper option. Four sizes allow the designer to choose the optimal clamp for their application.

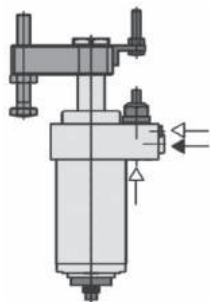
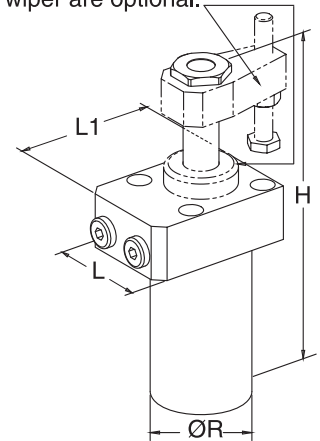


Pneumatic versions available to monitor clamp position and clamp/unclamp positions.



Special swing angle easily available

Clamp arm assembly and metal wiper are optional.



Switch rod version available for electric and pneumatic position monitoring.

Clamping Force With Accessory Arm		Size 1	Size 2	Size 3	Size 4
Clamp Force (lbs)	5075 psi	1350	1890	3370	4945
	2000 psi	630	1010	1845	2700
	1000 psi	270	340	630	900

General Dimension specifications (in inches)

	Size 1	Size 2	Size 3	Size 4
L	1.97	2.44	2.95	3.46
L1	2.76	3.19	3.74	4.13
H	6.39	6.92	8.06	9.20
R Diameter	1.77	2.05	2.36	2.99
Clamping Stroke	0.47	0.47	0.59	0.59
Approx. Weight (Lbs)	3.75	5.07	8.60	13.23
Part No., Swing Direction 90 Degree CW	CLR-1843-X090-R23	CLR-1844-X090-R24	CLR-1845-X090-R30	CLR-1846-X090-R36
Part No., Swing Direction 90 Degree CCW	CLR-1843-X090-L23	CLR-1844-X090-L24	CLR-1845-X090-L30	CLR-1846-X090-L36
Part No., Swing Direction 90 Degree CCW	CLR-1843-X000-023	CLR-1844-X000-024	CLR-1845-X000-030	CLR-1846-X000-036

X= Needs Letter Designation For Position Monitoring Style Desired (See Roemheld Data Sheet B1.853)

Accessories

Part No., Clamp Arm With Contact Bolt	CLR-0354-152	CLR-0354-153	CLR-0354-154	CLR-0354-155
Part No., Complete Arm With Angle Bracket	CLR-0354-156	CLR-0354-157	CLR-0354-158	CLR-0354-159
Part No., Untapped Clamp Arm	CLR-3548-660	CLR-3548-661	CLR-3548-803	CLR-3548-804
Part No., Angle Bracket Complete	CLR-0184-003	CLR-0184-004	CLR-0184-005	CLR-0184-005
Part No., Metallic Wiper	CLR-0341-104	CLR-0341-107	CLR-0341-105	CLR-0341-100

Subject to change. For further details, including detailed dimensions and mounting instructions, visit roemheld-usa.com.



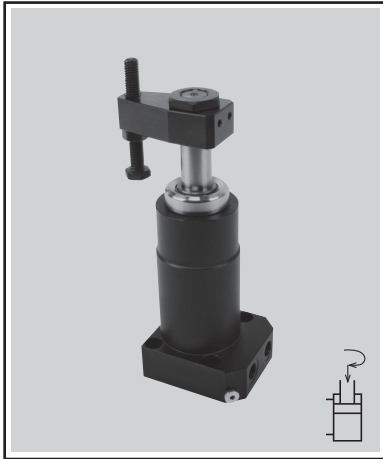
ROEMHELD
 HILMA ■ STARK

Carr Lane Roemheld Mfg. Co.

Sales — Phone (314) 647-6200 Fax (314) 647-5736
 Engineering — Phone 1-800-827-2526 Web roemheld-usa.com

Swing Clamps ■ Robust Swing Mechanism ■ B1.854

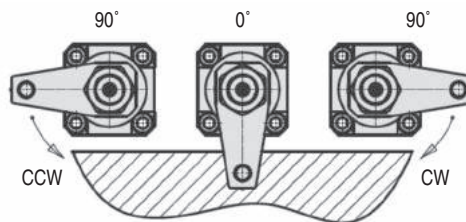
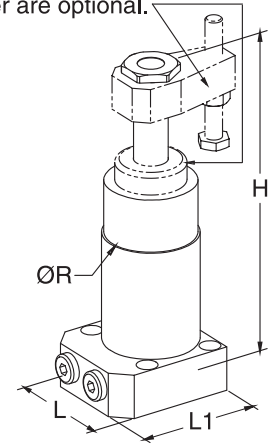
Swing Clamps ■ Flange base type with multiple position monitoring options
Double Acting ■ Max. Operating Pressure ■ 5075 psi (350 bar)



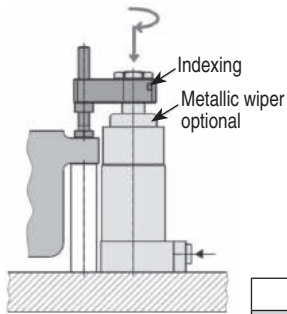
The hydraulic swing clamp is a pull type cylinder where a part of the total stroke is used to swing the piston, for when it is essential to keep the clamping area free for unrestricted workpiece loading/unloading. High clamping force at low pressures. The sturdy swing mechanism in combination with restricted flow

rate, allows larger custom arms. Special swing angle and indexing of clamp arm available. Multiple pneumatic and electric position monitoring available. Metallic wiper option. Four sizes allow the designer to choose the optimal clamp for their application.

Clamp arm assembly and metal wiper are optional.



Special swing angle easily available



Pneumatic versions available to monitor clamp position and clamp/unclamp positions.

Clamping Force - Accessory Arm		Size 1	Size 2	Size 3	Size 4
Clamp Force (lbs)	5075 psi	1350	1890	3370	4945
	2000 psi	630	1010	1845	2700
	1000 psi	270	340	630	900

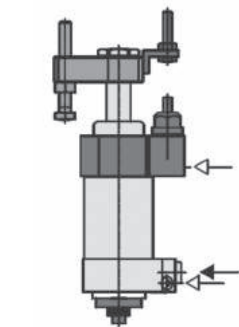
General Dimension Specifications (in inches)

	Size 1	Size 2	Size 3	Size 4
L	2.17	2.48	3.03	3.35
L1	2.36	2.60	2.95	3.54
H	6.39	6.92	8.06	9.20
R Diameter	1.77	2.05	2.36	2.99
Clamping Stroke	0.47	0.47	0.59	0.59
Approx. Weight (lbs.)	3.75	5.07	7.50	12.57
Part No., Swing Direction 90 Degree CW	CLR-1843-X090-R23	CLR-1844-X090-R24	CLR-1845-X090-R30	CLR-1846-X090-R36
Part No., Swing Direction 90 Degree CCW	CLR-1843-X090-L23	CLR-1844-X090-L24	CLR-1845-X090-L30	CLR-1846-X090-L36
Part No., Swing Direction 90 Degree CCW	CLR-1843-X000-023	CLR-1844-X000-024	CLR-1845-X000-030	CLR-1846-X000-036

X= Needs Letter Designation For Position Monitoring Style Desired (See Roemheld Data Sheet B1.854)

Accessories

Part No., Clamp Arm With Contact Bolt	CLR-0354-152	CLR-0354-153	CLR-0354-154	CLR-0354-155
Part No., Complete Arm With Angle Bracket	CLR-0354-156	CLR-0354-157	CLR-0354-158	CLR-0354-159
Part No., Untapped Clamp Arm	CLR-3548-660	CLR-3548-661	CLR-3548-803	CLR-3548-804
Part No., Angle Bracket Complete	CLR-0184-003	CLR-0184-004	CLR-0184-005	CLR-0184-005
Part No., Metallic Wiper	CLR-0341-104	CLR-0341-107	CLR-0341-105	CLR-0341-100



Switch rod version available for electric and pneumatic position monitoring.

Subject to change. For further details, including detailed dimensions and mounting instructions, visit roemheld-usa.com.



ROEMHELD
HILMA ■ STARK

Carr Lane Roemheld Mfg. Co.

Sales — Phone (314) 647-6200 Fax (314) 647-5736
 Engineering — Phone 1-800-827-2526 Web roemheld-usa.com

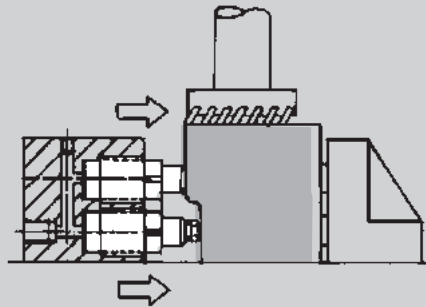
Push Clamps/Cylinders



Mini
page 640



Single Acting
page 641



Threaded-Body Push Clamps

Achieve high force in a compact size. Wide variety of types and sizes. Various models offer different mounting options, such as using accessory brackets, screwing directly into fixture, or manifold mounting.

Accessories, page 643



Block Clamps
pages 644-645

Block Clamps

Block Clamps are easy to mount horizontally or vertically on flat surfaces.

Available single and double acting, are excellent for punching and assembly operations, with high forces available. Wide range of sizes. Large sizes are often used for presswork applications (up to 180 tons).



**Threaded-Body
Universal Cylinder**
pages 646-647

Threaded-Body Universal Cylinder

Achieve space-saving mounting in fixture walls with this universal cylinder, in a wide range of sizes. Alternatively single acting with spring return or double acting.



ROEMHELD
HILMA ■ STARK

Carr Lane Roemheld Mfg. Co.
Sales — Phone (314) 647-6200 Fax (314) 647-5736
Engineering — Phone 1-800-827-2526 Web roemheld-usa.com

Threaded-Body Push Clamps - Mini

7250/2300 psi max
Single acting



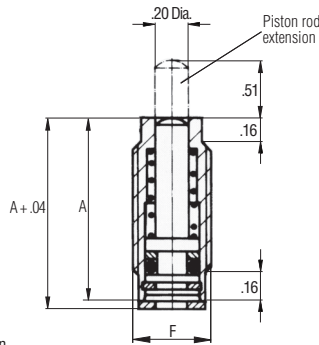
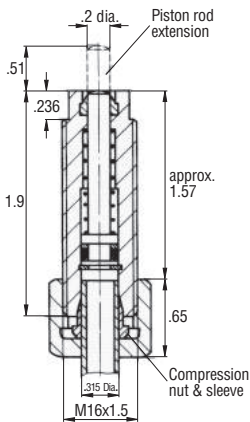
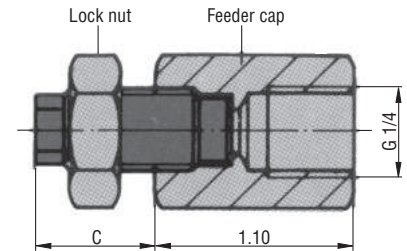
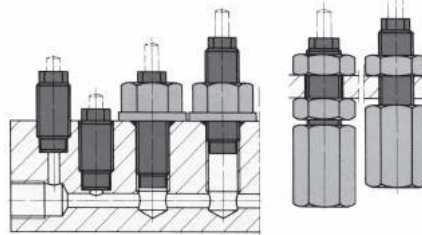
**Tube Mount
(Metric Only)**

Manifold Mount

- Can be mounted very close together
 - High force in a small size
 - Mount using accessory brackets or screw directly into fixture
 - Positive stroke stop and long plunger guide for superior reliability
 - Choice of five sizes
- **Do not use NPT fittings

DESCRIPTION: These threaded body cylinders are particularly suitable for clamping of smaller workpieces in multiple clamping fixtures. Sealing is made by connecting directly to compression nut or by the included sealing washer. Multiple mounting options allow versatility when designing your fixture. Offered as flush mount piston or extended piston. High-speed cylinders are offered at a lower max. pressure.

IMPORTANT NOTES: These cylinders may not be subjected to load in the retracted position. The tube connection model has no stop for the tube, so it cannot be used for pre-mount of the compression sleeve. Please protect cylinders from chips and coolant.



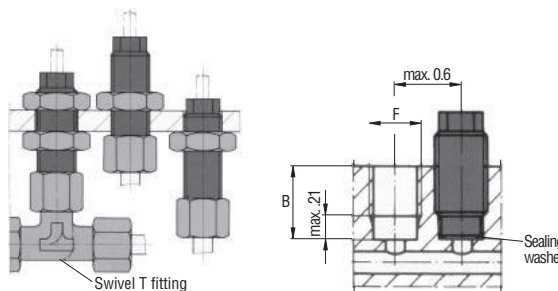
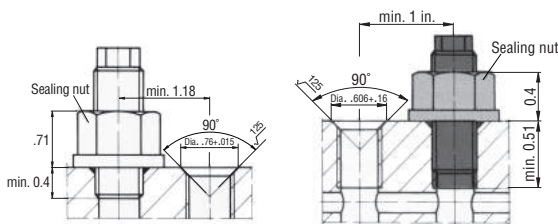
Clamping Force (lbs)	7250 psi	560	
	6000 psi	470	
	5000 psi	390	
	4000 psi	310	
	3000 psi	230	
Mounting Type	Tube Mount	Manifold Mount	
Stroke	0.39	0.197	0.39
Piston dia in.	0.315	0.315	0.315
Min psi	75	75	75
Spring return force (lbs)	3.4	3.4	3.4
A	—	1.06	1.57
B min/max	—	.43 / .95	.43 / 1.46
C	—	0.67	1.18
Seating torque (lbs)	8	8	8
Weight (lbs)	0.12	0.04	0.05

Inch

F Thread	—	1/2 - 20	1/2 - 20
Part No.	—	CLR-801-TB	CLR-802-TB
Part No., Lock Nut	—	CLR-408-TBA	
Part No., Sealing Washer	—	CLR-3000-183-SW	
Part No., Sealing Nut	—	CLR-508-TBA	
Part No., Feeder Cap	—	CLR-308-TBA	
Part No., Mounting Block	—	CLR-108-TBA	

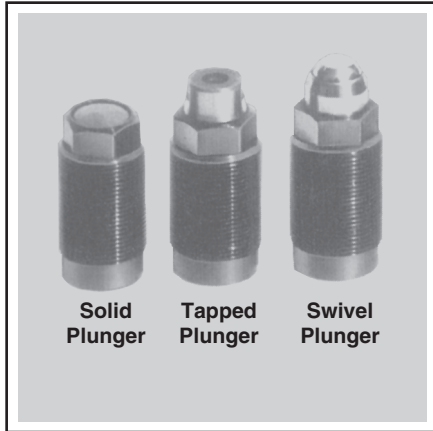
Metric

F Thread	—	M12 X 1.5	M12 X 1.5
Part No.	CLR-1459-001-TB	CLR-1458-001-TB	CLR-1458-002-TB
Part No. with ext rod	CLR-1459-011-TB	CLR-1458-011-TB	CLR-1458-012-TB
Part No., High Speed 2300 psi max	CLR-1459-101-TB	CLR-1458-101-TB	CLR-1458-102-TB
Part No., High Speed w/ ext rod 2300 psi max	CLR-1459-111-TB	CLR-1458-111-TB	CLR-1458-112-TB
Part No., Lock Nut	CLR-3300-409-TBA	CLR-3300-408-TBA	
Part No., Sealing Washer	—	CLR-3000-036-SW	
Part No., Sealing Nut	CLR-3300-407-TBA	CLR-3300-406-TBA	
Part No., Swivel T Fitting	CLR-9208-035-F	—	
Part No., Swivel Elbow	CLR-9208-036-F	—	
Part No., Compression Nut	CLR-9208-100-F	—	
Part No., Compression Sleeve	CLR-9208-101-F	—	
Part No., Feeder Cap	—	CLR-3467-064-TBA	



Threaded-Body Push Clamps - Standard Wiper

7250 psi max
Single acting



- Can be mounted very close together
- High force in a small size
- Mount using accessory brackets or screw directly into fixture
- Positive stroke stop and long plunger guide for superior reliability
- Choice of five sizes
- **Do not use NPT fittings

MOUNTING ON FIXTURE BASE: (Figure 1) Fasten mounting block to fixture. Screw clamp into block. (See table below for recommended seating torque. Sealing washer provided). Block has male 37° fluid connection.

MANIFOLD MOUNTING: (Figure 2) Screw clamp into tapped hole prepared as shown below. Supply fluid through passages drilled in fixture. Smallest size may be mounted with optional sealing nut. (Part no. CLR-508-TBA, 7/8 Hex. x. 46 thick).

MOUNTING THROUGH FIXTURE WALL: (Figure 3) (Through a tapped or bored hole). Secure clamp using optional locknut or mounting flange (two required for bored holes). Feeder cap required for fluid connection.

CONSTRUCTION: Steel plunger, case-hardened and ground. Positive stroke stop prevents over-extending the plunger. Long plunger guide provides support against side loads. Do not load plunger in its retracted position. Carbon steel body, black oxide finish.

PLUNGERS: Choose solid, tapped, or swivel plunger. Tapped plunger accepts contact bolts. Swivel plunger distributes force to prevent marring. Plunger extensions available by special order.

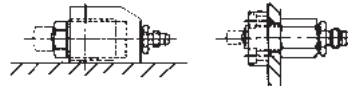


Figure 1

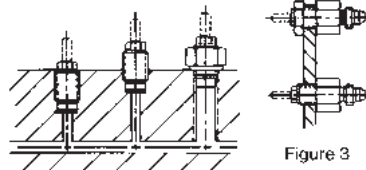
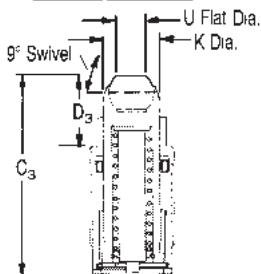
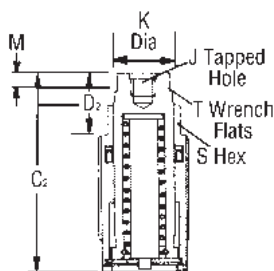
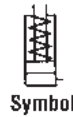
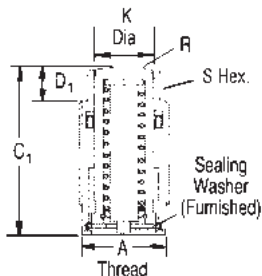


Figure 2

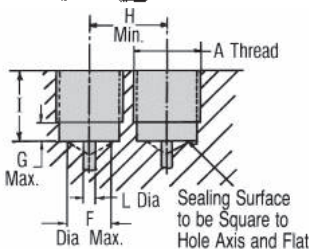
Figure 3

Mounting Options

See Threaded-Body Push Clamp accessories section



See F&A section for contact bolts



Manifold Hole Preparations

Clamping force (lbs)	7250 psi	1280	2270	3530	5530	8990
	6000 psi	1100	1900	2900	4500	7400
	5000 psi	900	1600	2400	3800	6200
	4000 psi	700	1200	1900	3000	5000
	3000 psi	500	900	1400	2300	3700
Max. clamping force (lbs)	1310	2340	3650	5700	9350	
Stroke	.38	.47	.59	.63	.78	
Fluid req'd (cu. in.)	.069	.147	.228	.479	.981	
Piston area (sq. in.)	.175	.312	.487	.760	1.247	
Force per 1000 psi (lbs)	175	312	487	760	1247	
Max. oper. pressure (psi)	7500	7500	7500	7500	7500	
A	7/8-14	1-1/8-12	1-1/4-16	1-1/2-16	1-7/8-16	
C ₁	1.50	1.81	2.19	2.34	3.44	
C ₂	1.78	2.06	2.59	2.69	3.88	
C ₃	1.80	2.09	2.73	2.86	—	
D ₁	.28	.38	.44	.53	.66	
D ₂	.56	.66	.81	.88	1.09	
D ₃	.56	.69	.97	1.05	—	
F dia	.47	.63	.78	1.00	1.25	
G	.31	.34	.34	.44	.50	
H	1.00	1.19	1.38	1.69	2.16	
I min.	.63	.78	.97	1.13	1.66	
I max.	1.53	1.41	1.75	1.81	2.75	
J	1/4-20x1/4	1/4-20x1/4	5/16-18x5/16	5/16-18x5/16	1/2-13x1/2	
K dia	.47	.63	.78	1.00	1.25	
L dia	.19	.19	.19	.19	.19	
M	.22	.22	.25	.28	.34	
R	.75	1.00	1.25	1.56	2.00	
S	.69	.94	1.69	1.25	1.69	
T	.38	.50	.63	.75	.94	
U	.28	.28	.41	.41	—	
Seating torque (ft.-lbs)	29	36	43	58	163	
Weight (lbs)	.18	.33	.48	.48	2.13	
Part No., solid plunger	CLR-000-TB	CLR-100-TB	CLR-200-TB	CLR-300-TB	CLR-400-TB	
Part No., tapped plunger	CLR-001-TB	CLR-101-TB	CLR-201-TB	CLR-301-TB	CLR-401-TB	
Part No., swivel plunger	CLR-010-TB	CLR-110-TB	CLR-210-TB	CLR-310-TB	—	
Spare sealing washer	CLR-3000-840-SW	CLR-3000-179-SW	CLR-3000-180-SW	CLR-3000-843-SW	CLR-3000-181-SW	



ROEMHELD
HILMA ■ STARK

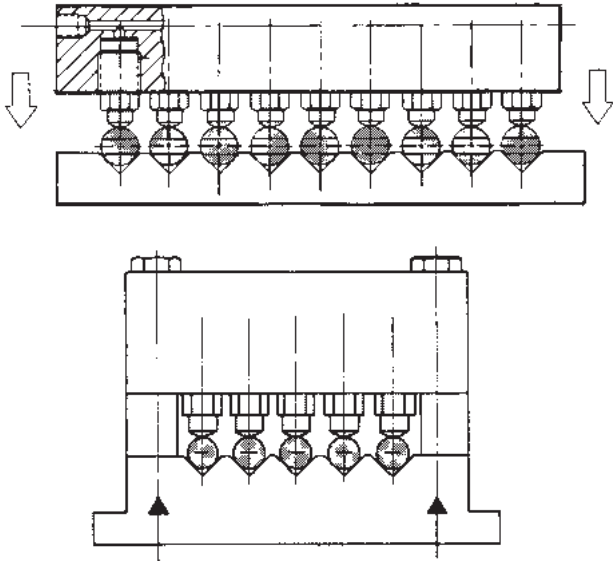
Carr Lane Roemheld Mfg. Co.

Sales — Phone (314) 647-6200 Fax (314) 647-5736

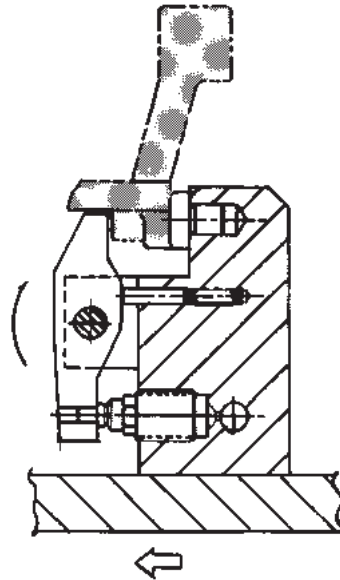
Engineering — Phone 1-800-827-2526 Web roemheld-usa.com

Threaded-Body Push Clamps

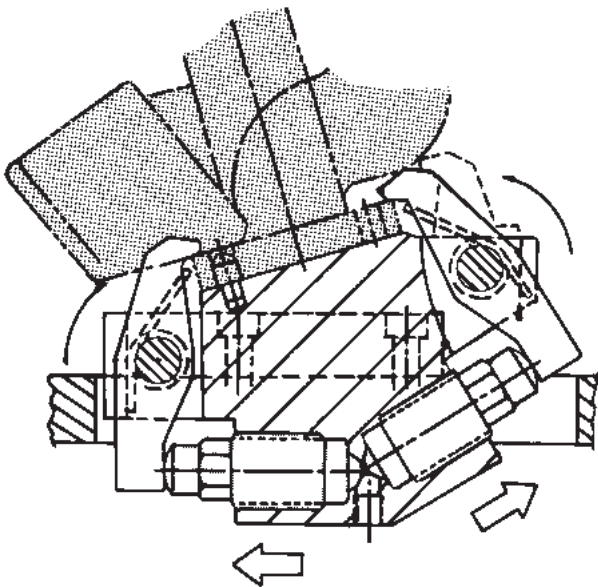
Application Examples



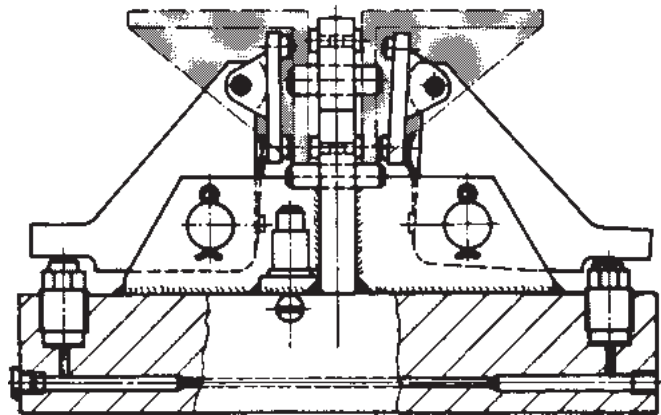
V-block fixtures allow very close workpiece spacing. Bottom example shows bridging bolt parallel to, and in the same plane as, the push clamps. This eliminates bending moments in the fixture.



Custom clamping unit made using a pivoting lever with a return spring. By altering the lever ratio, you can make workpiece contact greater or less than clamp force.



Twin clamping levers hold an exhaust manifold under extreme space limitations. Clamps are almost totally clear of workpiece area.



Pivoting levers clamp two angle brackets against a central locator. Each lever also has a pivoting contact pad to distribute clamping force evenly.

14

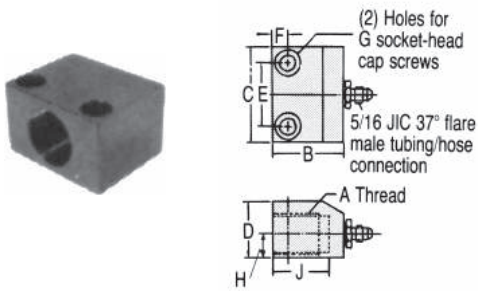


ROEMHELD
HILMA ■ STARK

Carr Lane Roemheld Mfg. Co.

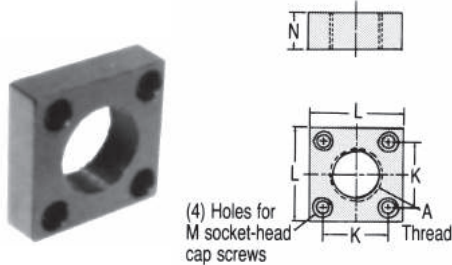
Sales — Phone (314) 647-6200 Fax (314) 647-5736
Engineering — Phone 1-800-827-2526 Web roemheld-usa.com

Threaded-Body Push Clamp Accessories



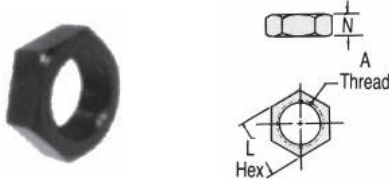
Mounting Blocks — Inch

A	1/2-20	7/8-14	1-1/8-12	1-1/4-16	1-1/2-16	1-7/8-16
B	1.63	1.75	2.00	2.25	2.38	3.25
C	1.50	2.25	2.75	3.00	3.50	4.00
D	1.00	1.25	1.50	1.75	2.00	2.50
E	1.00	1.50	1.88	2.00	2.38	2.75
F	.25	.38	.44	.50	.56	.63
G Dia.	1/4-20	5/16-18	3/8-16	1/2-13	1/2-13	5/8-11
H	.50	.56	.75	.75	1.00	1.25
J	.94	1.22	1.41	1.75	1.81	2.75
Part No.	CLR-108-TBA	CLR-100-TBA	CLR-101-TBA	CLR-102-TBA	CLR-103-TBA	CLR-104-TBA



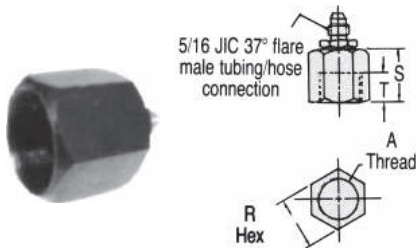
Mounting Flanges — Inch

A	1-1/4 - 16	1-1/2 - 16	1-7/8 - 16
K	1.56	1.75	2.13
L	2.25	2.5	3.00
M	5/16 - 18	5/16 - 18	3/8 - 16
N	.88	1.00	1.25
Part No.	CLR-202-TBA	CLR-203-TBA	CLR-204-TBA



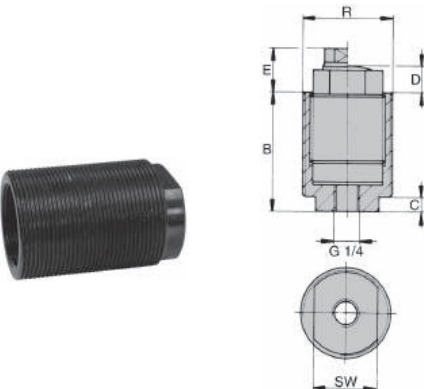
Jam Nuts — Inch

A	1/2 - 20	7/8 - 14	1-1/8 - 12
L	.75	1.94	1.69
N	.31	.50	.63
Part No.	CLR-408-TBA	CLR-400-TBA	CLR-401-TBA



Jam Nuts — Metric

A	M 28 X 1.5	M 32 X 1.5	M 38 X 1.5	M 45 X 1.5	M 60 X 1.5
L	50	62	58	68	90
N	10	11	11	12	13
Part No.	CLR-3301-423-TBA	CLR-3301-019-TBA	CLR-3300-088-TBA	CLR-3300-326-TBA	CLR-3300-411-TBA



Feeder Caps — Inch

A	1/2-20	7/8-14	1-1/8-12	1-1/4-16	1-1/2-16	1-7/8-16
R	.75	1.13	1.38	1.50	1.75	2.13
S	.63	1.13	1.25	1.44	1.63	2.25
T	.44	.63	.78	.97	1.13	1.66
Part No.	CLR-308-TBA	CLR-300-TBA	CLR-301-TBA	CLR-302-TBA	CLR-303-TBA	CLR-304-TBA

Feeder Caps — Metric

Fits	CLR-1460-0XX-TB	CLR-1461-0XX-TB	CLR-1462-0XX-TB	CLR-1463-0XX-TB	CLR-1464-0XX-TB
A	M 22 X 1.5	M 26 X 1.5	M 30 X 1.5	M 38 X 1.5	M 48 X 1.5
B	44	49	58	59	85
C	7	7	7	7	8
D	7	10	11	13.5	17
E	14	16.5	20.5	22.5	28
R	M 28 X 1.5	M 32 X 1.5	M 38 X 1.5	M 45 X 1.5	M 60 X 1.5
SW	22	24	27	32	41
Part No.	CLR-3467-084-TBA	CLR-3467-085-TBA	CLR-3467-086-TBA	CLR-3467-087-TBA	CLR-3467-093-TBA

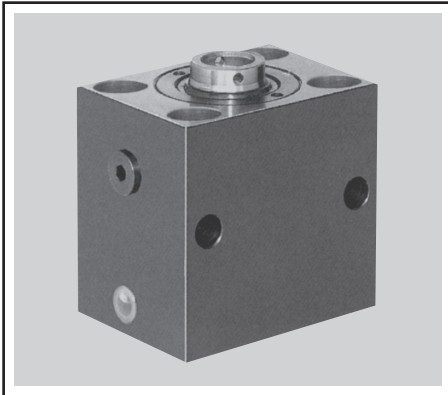


Carr Lane Roemheld Mfg. Co.

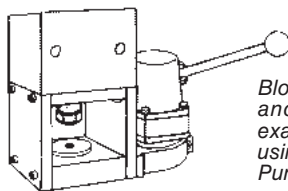
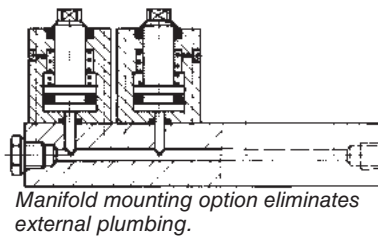
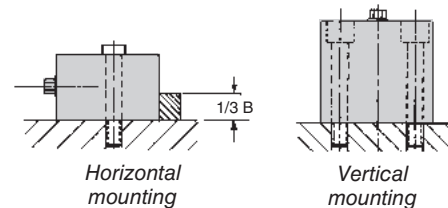
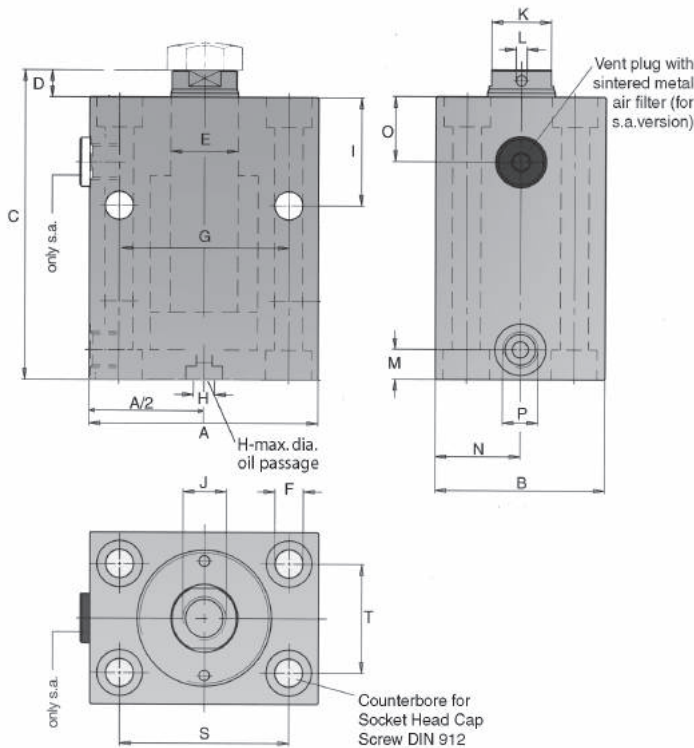
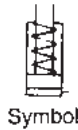
Sales — Phone (314) 647-6200 Fax (314) 647-5736
Engineering — Phone 1-800-827-2526 Web roemheld-usa.com

Block Clamps

7250 psi max
Single and double acting

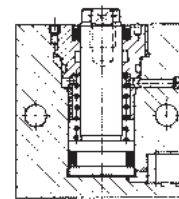


- Easy to mount on flat surfaces
- Excellent for punching and assembly operations (very high forces available)
- Mount either horizontally or vertically
- Available with short or long stroke
- Choice of eight sizes
- Do not use NPT fittings



Block Clamps are ideal for punching and assembly operations. In this example, a small press is made using a Block Clamp and Hand Pump.

For radius pointed, or swivel contact bolts, see F&A section.



CLAMPING ACTION: Fluid pressure advances plunger. Spring return. Optional fluid-return version (double-acting).

STROKE LENGTH: Short-stroke version is more compact. Choose it whenever possible. Longer strokes than listed below are available in all sizes...please contact factory.

MOUNTING: Either fasten with long cap screws through the block and threaded into fixture, or tap holes in block to accept screws. See below for locations to drill additional holes if desired. If clamping thrust is not backed up by the fixture, a support should be provided to prevent slight screw shifting in the mounting holes...see example below. Support may be a rectangular strip or dowel pins (height should be at least 1/3 of B dimension). Male 37° fluid connection (two with double-acting clamps).

CONSTRUCTION: Steel plunger, case hardened and ground. Body made from carbon steel, or nodular iron in larger sizes. Spring-return versions have a sintered-metal vent filter to keep out dirt. If flood coolant could enter through the vent, replace vent filter with a CLR-815-AF air-vent fitting.

ACCESSORIES: Contact bolts for plunger recommended...see F&A section.

OPTIONAL VITON SEALS: For high-temperature applications (up to 300°F maximum) we offer viton seals as an option in all sizes. Please contact factory for more information.



Block Clamps

7250 psi max
Single and double acting

Clamping force (lbs)	7250 psi	2250	5505	9035	14120	22145	35070	56650	88125
	6000 psi	1900	4600	7500	11700	18300	29000	46900	72900
	5000 psi	1600	3800	6200	9700	15300	24200	39100	60800
	4000 psi	1200	3000	5000	7800	12200	19300	31300	48600
	3000 psi	900	2300	3700	5800	9200	14500	23400	36500
Piston Area (sq. in.)	.312	.760	1.247	1.950	3.050	4.833	7.791	12.150	
Max. Oper. Pressure (psi)	7500	7500	7500	7500	7500	7500	7500	7500	7500
A	2.38	2.56	2.97	3.34	3.94	4.94	6.31	7.88	
B	1.38	1.75	2.19	2.50	2.94	3.75	4.75	5.94	
C short stroke	2.44	2.81	3.34	3.50	3.94	4.56	5.19	5.69	
C long stroke	3.81	4.00	4.34	4.50	4.94	5.88	7.06	8.06	
D	.22	.28	.38	.38	.38	.56	.56	.59	
E dia.	.39	.63	.79	.98	1.26	1.57	1.97	2.48	
F dia. screw	1/4	5/16	3/8	3/8	7/16	5/8	3/4	7/8	
G	1.181	1.969	2.165	2.480	2.992	3.740	4.724	6.220	
H dia.	.19	.19	.19	.19	.19	.31	.31	.31	
I	1.19	1.31	1.50	1.56	1.75	1.97	2.38	2.50	
J	1/4-20 x15/32	3/8-16 x19/32	1/2-13 x19/32	5/8-11 x31/32	3/4-10 x1-3/16	1-8 x1-9/16	M30x40	M42x60	
K	.31	.50	.63	—	—	—	—	—	
L dia.	—	—	—	.16	.16	.16	.19	.22	
M	.44	.44	.44	.44	.50	.66	.81	1.00	
N	.69	.88	1.09	1.25	1.47	1.88	2.38	2.94	
O	.66	.72	.88	.94	1.06	1.03	1.31	1.38	
P-Port size	G1/4	G1/4	G1/4	G1/4	G1/4	G1/2	G1/2	G1/2	
S	1.575	1.969	2.165	2.480	2.992	3.740	4.724	6.220	
T	.866	1.181	1.378	1.575	1.772	2.559	3.150	4.252	
Weight, short stroke (lbs.)	1.8	2.6	4.0	5.7	8.4	14.7	28.2	52.8	
Weight, long stroke (lbs.)	1.9	4.2	5.9	7.9	11.6	21.5	43.6	81.4	

Single Acting — Inch

Stroke, short	.31	.31	.38	.38	.47	.47	.47	.47
Stroke, long	.78	.78	.78	.78	.78	1.0	1.25	1.25
Fluid reqd., short (cu. in.)	.10	.24	.48	.73	1.37	2.26	3.68	5.75
Fluid reqd., long (cu. in.)	.23	.57	.94	1.46	2.29	4.83	9.81	15.34
Spring return force (lbs)	11	31	44	61	92	97	170	270
Part No. short stroke	CLR-1511-705	CLR-1513-705	CLR-1514-705	CLR-1515-705	CLR-1516-705	CLR-1517-705	—	—
Part No. long stroke	CLR-1511-725	CLR-1513-725	CLR-1514-725	CLR-1515-725	CLR-1516-725	CLR-1517-735	—	—
Part No. short stroke, manifold mount	CLR-1511-705B	CLR-1513-705B	CLR-1514-705B	CLR-1515-705B	CLR-1516-705B	CLR-1517-705B	—	—

Single Acting — Metric

J X Depth of thread	M6 X 12	M10 X 15	M12 X 15	M16 X 25	M20 X 30	M27 X 40	M30 X 40	M42 X 60
Part No. short stroke	CLR-1511-005	CLR-1513-005	CLR-1514-105	CLR-1515-005	CLR-1516-005	CLR-1517-005	CLR-1518-005	CLR-1519-005
Part No. long stroke	CLR-1511-025	CLR-1513-025	CLR-1514-125	CLR-1515-025	CLR-1516-025	CLR-1517-035	CLR-1518-045	CLR-1519-045
Part No. short stroke, manifold mount	CLR-1511-005B	CLR-1513-005B	CLR-1514-105B	CLR-1515-005B	CLR-1516-005B	CLR-1517-005B	CLR-1518-005B	CLR-1519-005B

Double Acting — Inch

Stroke, short	0.63	.78	1.00	1.00	1.00	1.19	1.25	1.56
Stroke, long	2.0	2.00	2.00	2.00	2.00	2.50	3.13	3.94
Fluid reqd., short (cu. in.)	.20	.57	1.25	1.95	3.05	5.74	9.81	19.17
Fluid reqd., long (cu. in.)	.62	1.52	2.50	3.90	6.10	12.08	24.54	47.93
Return piston area	.190	.448	.759	1.187	1.796	2.882	4.748	7.342
Part No. short stroke	CLR-1541-705	CLR-1543-705	CLR-1544-705	CLR-1545-705	CLR-1546-705	CLR-1547-705	—	—
Part No. long stroke	CLR-1541-765	CLR-1543-765	CLR-1544-765	CLR-1545-765	CLR-1546-765	CLR-1547-775	—	—

Double Acting — Metric

J x Depth of Thread	M6 x 12	M10 x 15	M12 x 15	M16 x 25	M20 x 30	M27 x 40	M30 x 40	M42 x 60
Part No. short stroke	CLR-1541-105	CLR-1543-105	CLR-1544-105	CLR-1545-105	CLR-1546-105	CLR-1547-105	CLR-1548-105	CLR-1549-105
Part No. long stroke	CLR-1541-165	CLR-1543-165	CLR-1544-165	CLR-1545-165	CLR-1546-165	CLR-1547-175	CLR-1548-185	CLR-1549-195

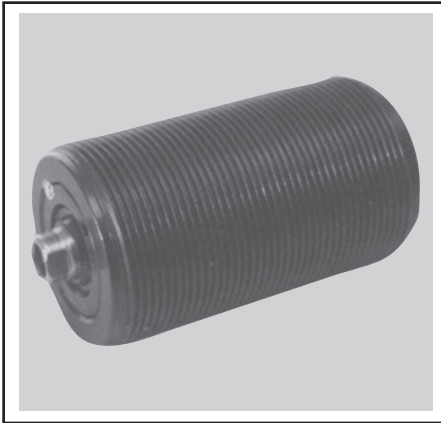
Larger sizes and strokes available (metric only).



Carr Lane Roemheld Mfg. Co.
Sales — Phone (314) 647-6200 Fax (314) 647-5736
Engineering — Phone 1-800-827-2526 Web roemheld-usa.com

Threaded-Body Universal Cylinder

7250 psi max
Single and double acting



- 6 piston diameters from 16 up to 63mm
- 3 different strokes per size
- Sealing with very little leakage
- Alternatively single acting with spring return or double acting
- Ports 1/4 BSPP at the cylinder bottom
- Axial regulation due to external thread
- Lock nuts as per DIN 1804 can be used
- Space-saving mounting in fixture walls
- Piston rod with internal thread for fixing of different contact bolts

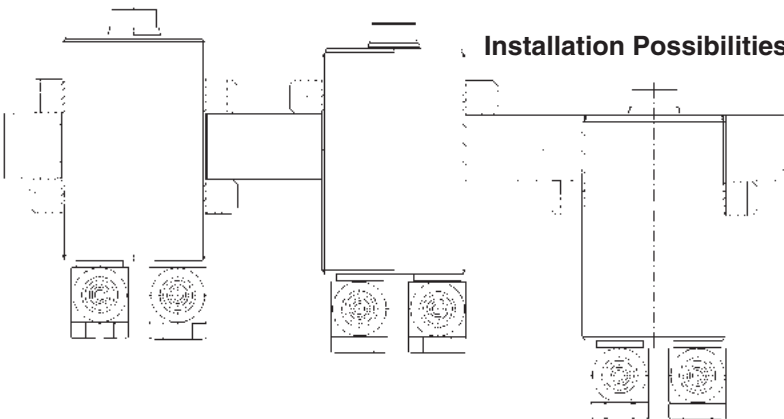
DESCRIPTION: The threaded-body universal cylinders are delivered with the same piston diameters and strokes as the well-proven block cylinders. Hydraulic connection is exclusively effected at the cylinder bottom by hydraulic tubes or hoses.

Sealing of the case-hardened piston rod is made by a tandem sealing with minimum leakage and a wiper.

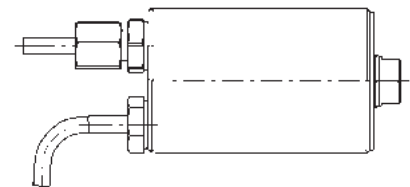
APPLICATION: The threaded-body universal cylinders can be used as clamping cylinders for workpiece clamping as well as for general motion tasks.

For temperatures exceeding 100°C a version with VITON® seals is available. Fixing is made in cross holes with 2 lock nuts or in threaded holes with 1 lock nut. The lock nuts allow exact positioning of the cylinder in axial direction.

BLEEDING OF THE SPRING AREA FOR SINGLE-ACTING VERSIONS: If there is a possibility that aggressive cutting lubricants and coolants penetrate through the sintered metal air filter into the cylinder's interior, a vent hose has to be connected and be placed in a protected position, see accessories.

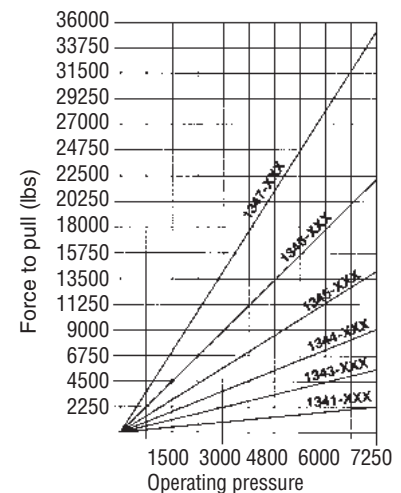
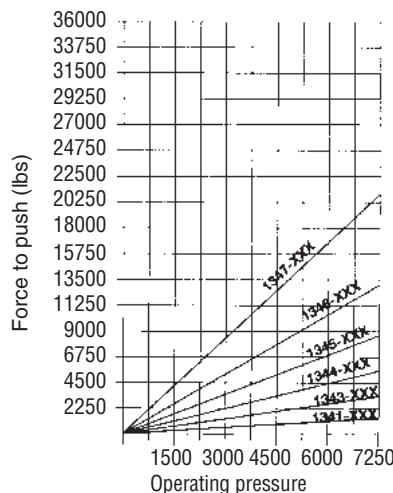
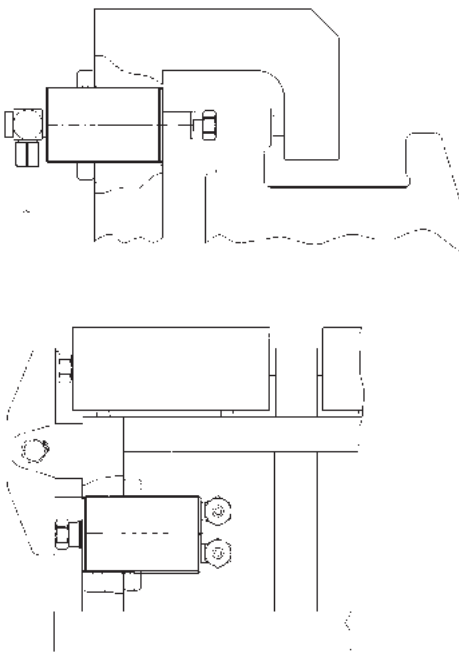


Installation Possibilities



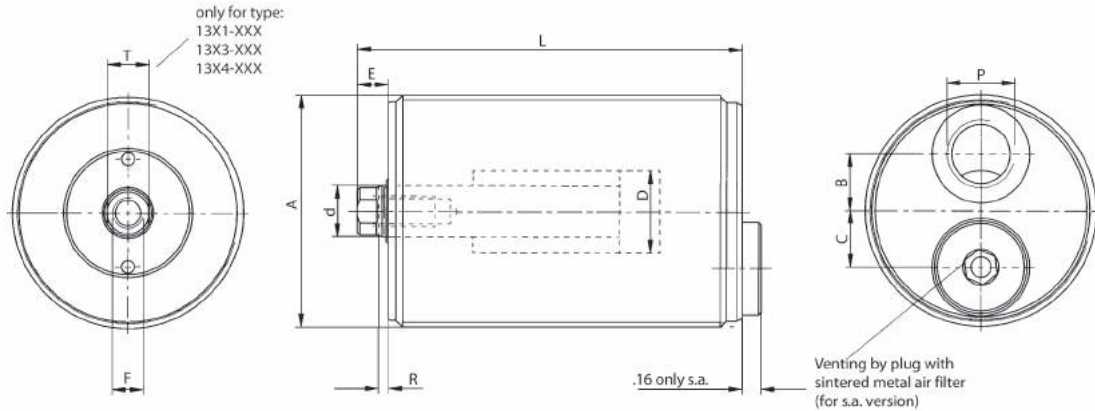
For this purpose the sintered metal air filter has to be exchanged by an insertion nipple fitting, or a corresponding male connector, see accessories.

Application examples



Threaded-Body Universal Cylinder

7250 psi max
Single and double acting



Clamping force (lbs)	7250 psi	2250	5510	9035	14120	22145	35070
	6000 psi	1900	4600	7500	11700	18400	29100
	5000 psi	1600	3800	6300	9800	15300	24200
	4000 psi	1300	3100	5000	7800	12300	19400
	3000 psi	1000	2300	3800	5900	9200	14600
Piston Dia. D	.630	.984	1.260	1.575	1.969	2.480	
Rod Dia. d	.394	.630	.787	.984	1.260	1.575	
Spring return force, min. (lbs)	11	32	44	61	92	97	
Oil Volume in Cubic Inches for each .39 inch of stroke	Stroke to Extend	.12	.3	.5	.8	1.21	2
	Stroke to Retract	.07	.18	.30	.5	.71	1.1
A	M45X1.5	M48x1.5	M55x1.5	M65x1.5	M75x1.5	M90x2	
B	.43	.53	.51	.65	.83	1.10	
C	.43	.53	.67	.85	1.06	1.32	
F	M6X12	M10x15	M12x15	M16x25	M20x30	M27x40	
E	.24 (.28)*	.28	.39	.39	.39	.55	
P	1/4 BSPP	1/4 BSPP	1/4 BSPP	1/4 BSPP	1/4 BSPP	1/4 BSPP	
R	—	—	—	.16	.16	.16	
T	8mm	13mm	17mm	—	—	—	

Single Acting, with Spring Return

Stroke, short	.31	.31	.39	.39	.47	.47
Total length l	2.95	3.31	3.78	3.90	4.29	4.80
Weight (lbs)	1.5	2	3	4.3	6.3	10
Part No.	CLR-1311-005-TB	CLR-1313-005-TB	CLR-1314-105-TB	CLR-1315-005-TB	CLR-1316-005-TB	CLR-1317-005-TB

Stroke, long	.79	.79	.79	.79	.79	.98
Total length l	4.33	4.49	4.76	4.88	5.28	6.10
Weight (lbs)	2.5	2.8	4	5.6	8	13
Part No.	CLR-1311-025-TB	CLR-1313-025-TB	CLR-1314-125-TB	CLR-1315-025-TB	CLR-1316-025-TB	CLR-1317-035-TB

Double Acting

Stroke, short	.63	.79	.98	.98	.98	1.18
Total length l	2.95	3.31	3.78	3.90	4.29	4.80
Weight (lbs)	1.5	2	3	4	6	9.4
Part No.	CLR-1341-105-TBD	CLR-1343-105-TBD	CLR-1344-105-TBD	CLR-1345-105-TBD	CLR-1346-105-TBD	CLR-1347-105-TBD

Stroke, medium	1.97	1.97	1.97	1.97	1.97	2.48
Total length l	4.33	4.49	4.76	4.88	5.28	6.10
Weight (lbs)	2.4	2.7	3.6	5.2	7.5	12
Part No.	CLR-1341-165-TBD	CLR-1343-165-TBD	CLR-1344-165-TBD	CLR-1345-165-TBD	CLR-1346-165-TBD	CLR-1347-175-TBD

Stroke, long	3.94	3.94	3.94	3.94	3.94	3.94
Total length l	6.42	6.46	6.73	6.85	7.24	7.56
Weight (lbs)	3.7	4	5.2	7.4	10.3	14.8
Part No.	CLR-1341-195-TBD	CLR-1343-195-TBD	CLR-1344-195-TBD	CLR-1345-195-TBD	CLR-1346-195-TBD	CLR-1347-195-TBD

Accessories

Part No. lock nut	CLR-3300-326-TBA	CLR-24-HCA	CLR-3300-992-TBA	CLR-3301-661-TBA	CLR-73-HCA	CLR-3300-412-TBA
-------------------	------------------	------------	------------------	------------------	------------	------------------

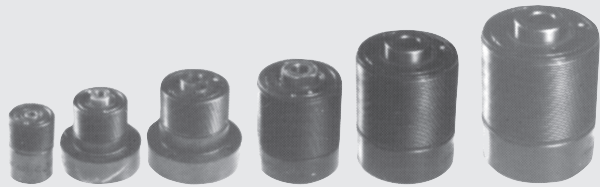
* Only for CLR-1311-025-TB and CLR-1341-165-TBD, -195-TBD



Carr Lane Roemheld Mfg. Co.

Sales — Phone (314) 647-6200 Fax (314) 647-5736
Engineering — Phone 1-800-827-2526 Web roemheld-usa.com

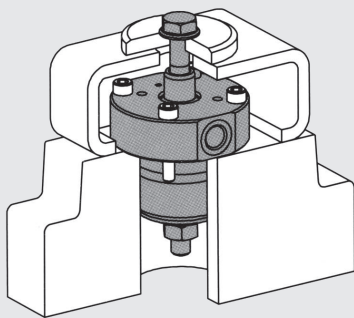
Pull Clamps



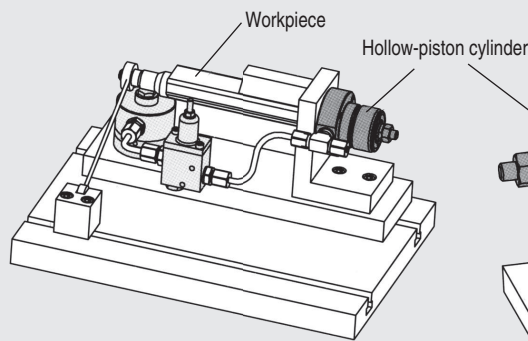
Page 649-650

Hollow-Plunger Clamps

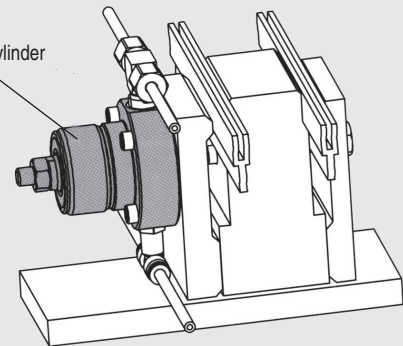
Insert stud through center hole. Quickly converts clamps straps from manual to power operation. Ideal for pulling or pushing a draw bar, and many other applications.



Use in combination with push-pull bolt and "C"-washer to clamp workpieces with center holes.



In a machine table, the workpiece can be supported by a work support after clamping with a hollow-piston cylinder in combination with a sequence valve.



Use for a milling fixture, in conjunction with hollow piston cylinders.



Hollow-Plunger Clamps

7250 psi max
Single and double acting



- Quickly converts clamp straps from manual to power operation
 - Accepts stud through hollow plunger
 - May be used either to pull or to push
 - Useful for transmitting force to a remote location via a rod
 - Choice of six sizes
- **Do not use NPT fittings**

DESCRIPTION: The piston of this cylinder is provided with a through hole or internal thread. In connection with a standard tie rod and C-washer combination, a variety of applications are possible.

The thread in the piston can be drilled out, if required. If the hollow-piston cylinder is mounted onto movable parts, e.g. clamps, the oil has to be supplied through a high-pressure hose.

CLAMPING ACTION: Fluid pressure pushes up plunger, pulling up a clamping stud inserted through center hole. Spring or fluid return.

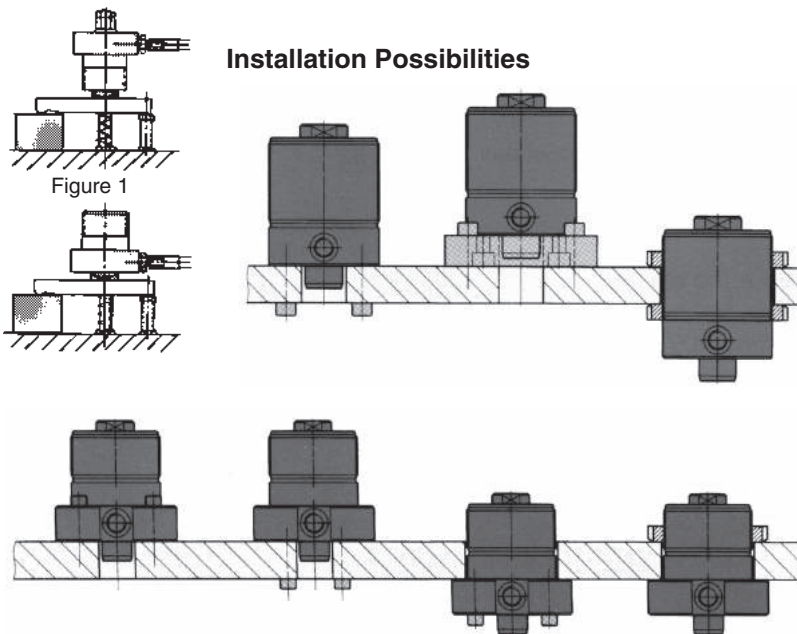
CENTER HOLE: Choose either threaded or unthreaded center hole. Threaded version is ideal for pulling/pushing a drawbar or replacing a nut on a clamp strap. Unthreaded version is useful when clamp is removed for workpiece loading.

IMPORTANT NOTES: For operating pressures exceeding 5000 psi, use a grade 8 stud or equivalent.

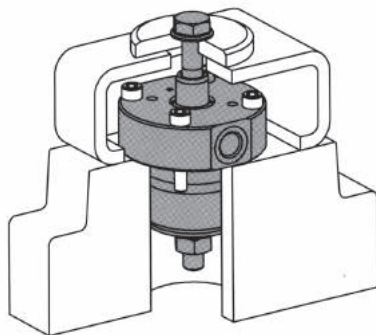
It is important to torque the lock nut used sufficiently to prevent damaging the piston threads.

Penetration of aggressive cutting lubricants and coolants through the sintered metal air filter into the cylinder's interior should be avoided by appropriate arrangement or covering.

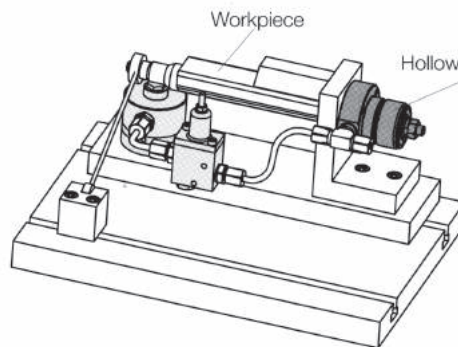
Installation Possibilities



Application Examples

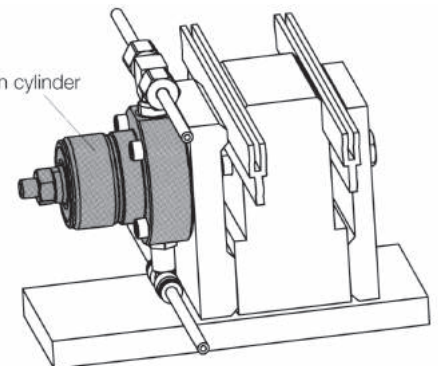


Hollow-piston cylinders in combination with push-pull bolt and "C"-washer can be used efficiently in many cases to clamp workpieces with center holes.



In the shown machine table, the workpiece is supported by means of a work support after clamping with a hollow-piston cylinder in combination with a sequence valve.

The savings in workpiece exchange time, compared to a mechanical clamping system amounts to 58%.



This clamping fixture is for milling operation on a light extruded rail. Workholding by means of hollow-piston cylinders in individual clamping stations mounted on a base plate. Positioning and support of the rail is effected with two longitudinal members matching the cross section of the rail.

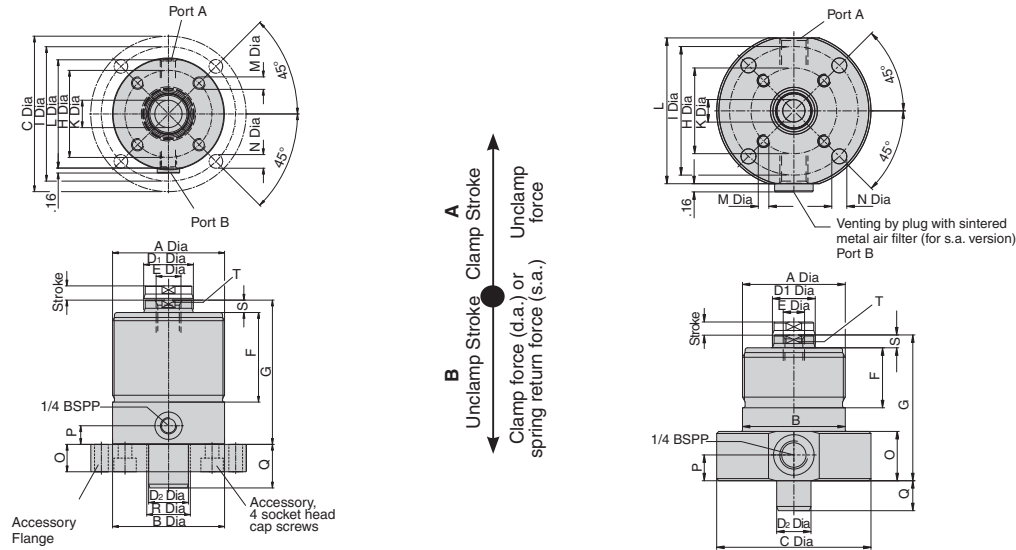


Carr Lane Roemheld Mfg. Co.

Sales — Phone (314) 647-6200 Fax (314) 647-5736
Engineering — Phone 1-800-827-2526 Web roemheld-usa.com

Hollow Plunger Clamps

7250 psi max
Single and double acting



Clamping Force/ Unclamping Force	7250 psi	2250	6745	10565	16545	25990	42375
	6000 psi	1900/1900	5600/4500	8800/7100	13700/10800	21600/17400	35100/28500
	5000 psi	1600/1600	4700/3800	7300/5900	11500/9000	18000/14500	29300/23800
	4000 psi	1300/1300	3800/3000	5900/4800	9200/7200	14400/11600	23400/19000
	3000 psi	1000/1000	2800/2300	4400/3600	6900/5400	10800/8700	17600/14300
Spring return force (s.a.)	20	45	61	86	106	214	
Piston area-clamp (sq.in.)	.3	.93	1.46	2.28	3.56	5.84	
Piston area-unclamp (sq.in.)	.3	.76	1.19	1.80	2.88	4.74	
Oil volume clamp	.25	1.17	2.30	4.50	8.83	18.4	
Oil volume unclamp	.25	.96	1.87	3.54	7.14	15.93	
A Dia	M40x1.5	M48x1.5	M60x1.5	M75x1.5	M90x2	M120x2	
B Dia	1.57	1.89	2.36	2.95	3.54	4.72	
C Dia	2.56	2.83	3.35	4.13	4.92	6.30	
D ₁ Dia	.472	.787	.984	1.256	1.575	1.969	
D ₂ Dia	.472	.623	.787	.984	1.256	1.575	
E Dia x depth of thread	M6x8	M10x12	M12x15	M16x20	M20x25	M24x30	
F	1.18	1.10	1.34	2.36	2.83	3.94	
G	2.28	2.68	3.15	3.70	4.57	5.39	
H Dia	1.181	1.575	1.969	2.362	2.756	3.858	
I Dia	2.05	2.36	2.83	3.54	4.25	5.51	
K Dia	.26	.41	.49	.65	.83	.98	
L	2.36	2.68	3.23	2.83	3.43	4.61	
M Dia x depth of thread	M6x8	M6x8	M6x10	M8x10	M10x14	M12x15	
N Dia	.27	.27	.27	.35	.43	.53	
O	.91	.91	.91	.79	.87	.98	
P	.47	.47	.47	.47	.59	.59	
Q	.47	.55	.75	.91	1.38	1.69	
R Dia	—	—	—	1.102	1.378	1.693	
S	.20	.24	.28	.35	.39	.39	
T A/Flats	10mm	17mm	22mm	27mm	36mm	46mm	
Weight (lbs)	1.8	2.6	4	4.9	9.7	2.14	

Single Acting With Spring Return

Stroke	.24	.31	.39	.47	.63	.79
Part No.	CLR-1752-004-HC	CLR-1754-004-HC	CLR-1755-004-HC	CLR-1756-004-HC	CLR-1757-004-HC	CLR-1758-004-HC

Double Acting

Stroke	.39	.47	.63	.79	1.26	1.57
Part No.	CLR-1752-023-HCD	CLR-1754-023-HCD	CLR-1755-023-HCD	CLR-1756-023-HCD	CLR-1757-023-HCD	CLR-1758-023-HCD

Flange Base

Part No.	—	—	—	CLR-3456-310-HCA	CLR-3456-313-HCA	CLR-3456-312-HCA
Part No., cap screw	—	—	—	CLR-3300-237-HCA	CLR-3300-277-HCA	CLR-3300-054-HCA
Part No., lock ring	CLR-99-HCA	CLR-24-HCA	CLR-11-HCA	CLR-73-HCA	CLR-12-HCA	CLR-34-HCA

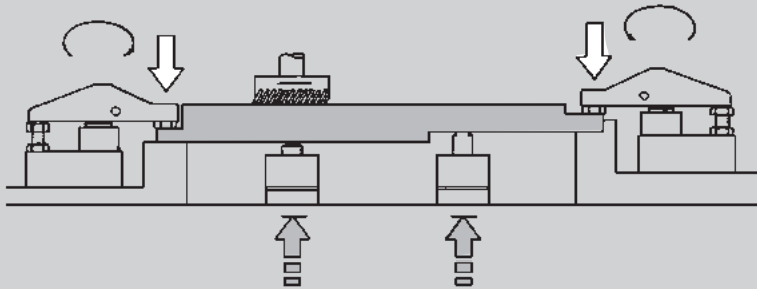


Carr Lane Roemheld Mfg. Co.

Sales — Phone (314) 647-6200 Fax (314) 647-5736
Engineering — Phone 1-800-827-2526 Web roemheld-usa.com

Work Supports

7250 psi max
Single and double acting

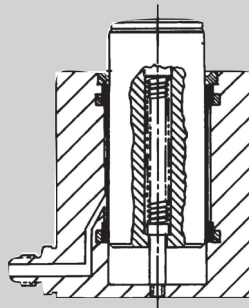


Automatically adjusts to proper height for supporting workpiece. Prevents deflection and vibration due to machining forces. May also be used underneath clamps to back up clamping force. More accurate, more consistent, and much faster than screw jacks.

Precision sleeve around support plunger holds it absolutely vertical while unlocked, then locks it securely when fluid pressure is applied. Plunger remains perfectly stationary during locking. Far better accuracy and repeatability than earlier segmented-collet or sandwiched-plate work supports. Choice of three actions:



Threaded Body
pages 652-654

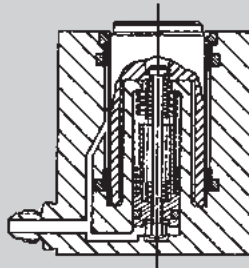


Spring Extended (Plunger floats then locks)

Plunger is normally extended by light spring force. Workpiece's weight depresses plunger to proper height. Applying fluid pressure locks plunger securely.

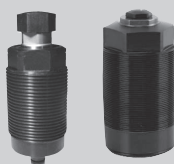


Threaded Body
pages 652-655

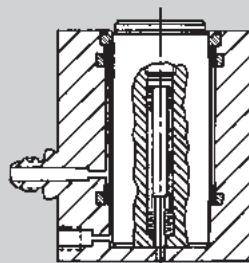


Fluid Advanced (Plunger advances then locks)

Plunger is normally retracted for clear loading/unloading. Applying fluid pressure gently advances plunger to the workpiece, then automatically locks it. Note: do not use advancing plunger to lift loads.



Threaded Body
pages 652-654



Air Advanced/Extended (Plunger floats or advances by air pressure)

Plunger is normally retracted for clear loading/unloading. Applying air pressure advances plunger to the workpiece. This allows fine tuning contact pressure using a simple air regulator. Contact force may be as light as a few ounces. Applying fluid pressure locks plunger securely.



ROEMHELD
HILMA ■ STARK

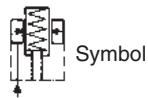
Carr Lane Roemheld Mfg. Co.
Sales — Phone (314) 647-6200 Fax (314) 647-5736
Engineering — Phone 1-800-827-2526 Web roemheld-usa.com

Threaded-Body Work Supports

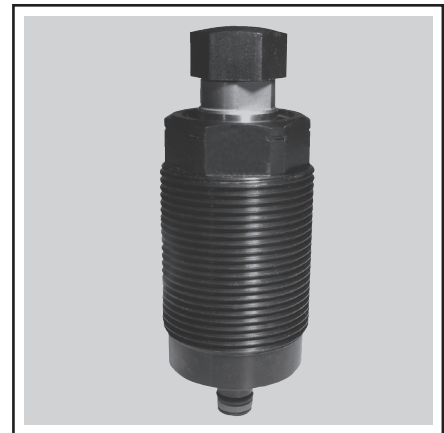
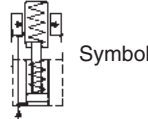
7250 psi max
Single Acting



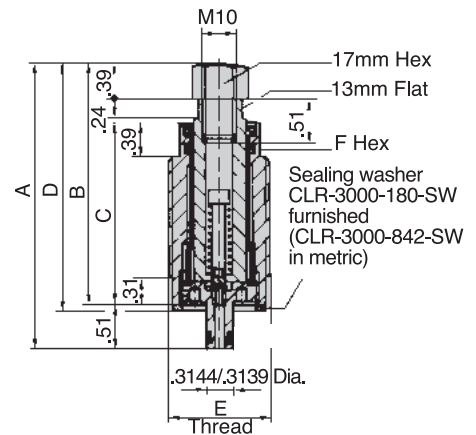
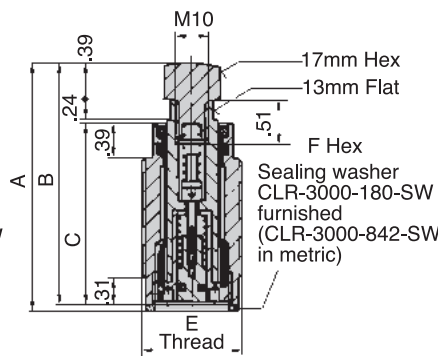
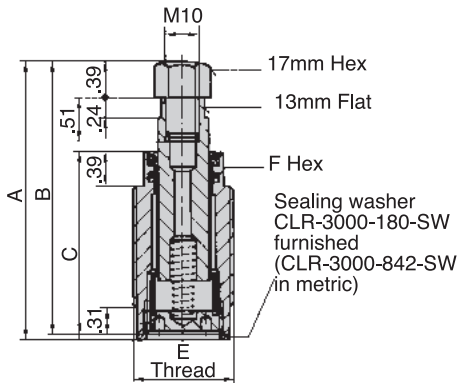
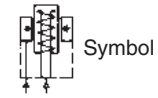
Spring Extended



Fluid Advanced



Air Advanced



Load Capacity at 7250 psi	1460 Lbs				2135 Lbs			
	Spring Extended	Fluid Advanced	Fluid Advanced	Air Advanced	Spring Extended	Fluid Advanced	Fluid Advanced	Air Advanced
Plunger action	Spring Extended	Fluid Advanced	Fluid Advanced	Air Advanced	Spring Extended	Fluid Advanced	Fluid Advanced	Air Advanced
Stroke	.31	.31	.59	.31	.31	.31	.59	.31
Max. load capacity (lbs)	1460	1460	1460	1460	2135	2135	2135	2135
Fluid required (cu.in)	.01	.10	.10	.01	.01	.10	.18	.01
Max. fluid flow rate (cu.in./min.)	—	100	100	—	—	100	100	—
Contact force, min/max (lbs)	1.8 to 3.0	2.2 to 5.2	2.2 to 5.2	See text	1.8 to 3.0	2.2 to 5.2	2.2 to 5.2	See text
Max. operating pressure (psi)	7250	7250	7250	7250	7250	7250	7250	7250
Min. operating pressure (psi)	1460	1460	1460	1460	1460	1460	1460	1460
A	3.17	2.85	3.13	3.31	3.56	3.25	3.52	3.70
B	3.11	2.80	3.07	2.80	3.50	3.19	3.46	3.19
C	2.13	2.13	2.40	2.13	2.52	2.52	2.80	2.52
D	—	—	—	2.85	—	—	—	3.25
Weight (lbs)	.6	.6	.6	.6	.6	.6	.6	.6

INCH

	1-1/4-16	1-1/4-16	—	1-1/4-16	—	—	—	—
E Thread	1-1/4-16	1-1/4-16	—	1-1/4-16	—	—	—	—
F Hex	1.06	1.06	—	1.06	—	—	—	—
Part No., Work Support only	CLR-001-WS	CLR-201-WS	—	CLR-101-WS	—	—	—	—
Part No., Base only	CLR-712-WSA	CLR-712-WSA	—	CLR-711-WSA	—	—	—	—
Part No., Work Support with Base	CLR-000-WS	CLR-200-WS	—	CLR-100-WS	—	—	—	—

METRIC

	M30x1.5	M30x1.5	M30x1.5	M30x1.5	M30x1.5	M30x1.5	M30x1.5	M30x1.5
E Thread	M30x1.5	M30x1.5	M30x1.5	M30x1.5	M30x1.5	M30x1.5	M30x1.5	M30x1.5
F Hex	24mm	24mm	24mm	24mm	24mm	24mm	24mm	24mm
Part No., Work Support only	CLR-1940-000-WS	CLR-1942-000-WS	CLR-1942-005-WS	CLR-1941-000-WS	CLR-1940-010-WS	CLR-1942-010-WS	CLR-1942-015-WS	CLR-1941-010-WS



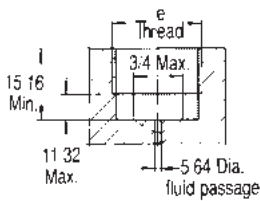
ROEMHELD
HILMA ■ STARK

Carr Lane Roemheld Mfg. Co.

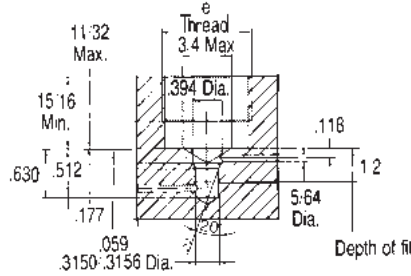
Sales — Phone (314) 647-6200 Fax (314) 647-5736
Engineering — Phone 1-800-827-2526 Web roemheld-usa.com

Threaded-Body Work Supports

7250 psi max
Single acting

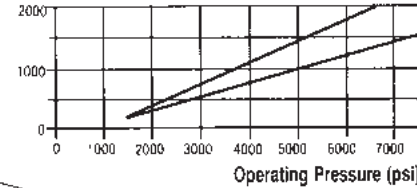
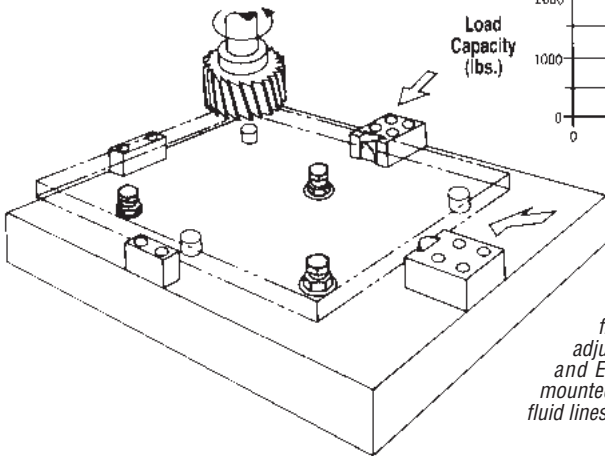


**Hole Preparation
(Spring Extended and
Fluid Advanced)**



Hole Preparation (Air Advanced)

- Amazingly compact threaded body work support, only 1-1/4 inches in diameter!
- Height adjusts automatically with repeatability with $\pm .0002$ inches
- Choice of two sizes in each of three-action types, plus a long-stroke fluid-advanced model (1700 lbs)
- Support plunger held by an advanced design, sliding-fit pressure sleeve (holds plunger absolutely vertical, locked or unlocked)



Example:
Workpiece supported by three fixed rest buttons and three self-adjusting Work Supports. Supports and Edge Clamps are all manifold mounted, so the fixture has no exposed fluid lines to trap chips.

SUPPORT ACTION (SPRING EXTENDED): Plunger is normally extended by light spring force. Workpiece's weight depresses plunger to proper height. When fluid pressure is applied, precision sleeve grips plunger, locking it securely.

SUPPORT ACTION (FLUID ADVANCED): Plunger is normally retracted for clear workpiece loading/unloading. Applying fluid pressure gently advances plunger to workpiece, where it contacts with light spring force. When fluid pressure is applied, precision sleeve grips plunger, locking it securely. Plunger retracts again when pressure is released.

SUPPORT ACTION (AIR ADVANCED): Plunger is normally retracted for clear workpiece loading/unloading. Applying air pressure gently advances plunger to workpiece. A simple 3-way air valve, fine pressure regulator, and air dryer are required. Fine tune contact pressure using regulator. When fluid pressure is applied, precision sleeve grips plunger, locking it securely. Plunger retracts again when air pressure is released. Air-advanced version is also available without spring return for extremely sensitive contact-force adjustment (part no. CLR-7990-284-WS without base, CLR-110-WS with base).

ACCURACY: Height repeatability $\pm .0002$ inches. Excellent repeatability because (1) sliding fit sleeve keeps plunger absolutely vertical while unlocked, avoiding inaccuracy due to locking a tilted plunger, and (2) locking force is entirely radial, so plunger stays absolutely stationary during locking. Elastic deflection of plunger is only $.00016$ inches per 100 lbs. machining load.

MOUNTING: Screw work support into a tapped hole prepared as shown below. Hole bottom must be perpendicular to the hole's axis. with a 125 RMS maximum surface finish. Minimum seating torque 50 ft.-lbs. Supply fluid through passages drilled in the fixture.

SEQUENCING: If workpiece is too light to depress plunger (spring extended) or light enough that plunger contact may lift it (fluid advanced), a sequence valve is recommended. Sequence valve delays locking or advancing the plunger until after the workpiece is clamped.

CONSTRUCTION: Steel plunger, hardened and ground. Plunger held inside a honed locking sleeve (sliding fit). Carbon steel body, black oxide finish. Hardened contact bolt furnished.

OPTIONAL BASE



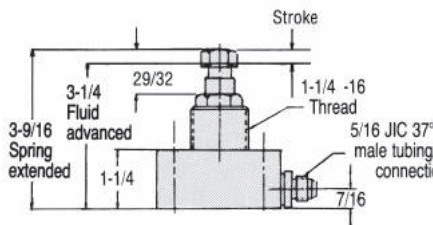
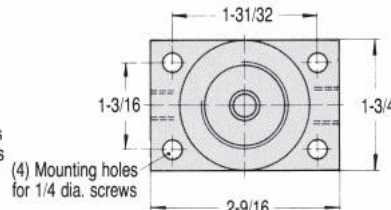
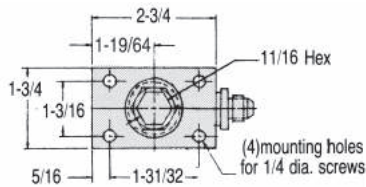
**Spring-Extended
Work Support
with Base
CLR-000-WS**



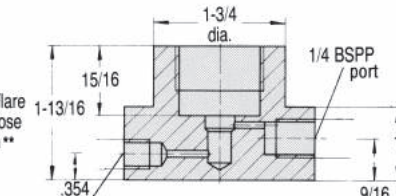
**Fluid-Advanced
Work Support
with Base
CLR-200-WS**



**Air-Advanced
Work Support
with Base
CLR-100-WS**



**Base Only
CLR-712-WSA**



**Base Only
CLR-711-WSA**



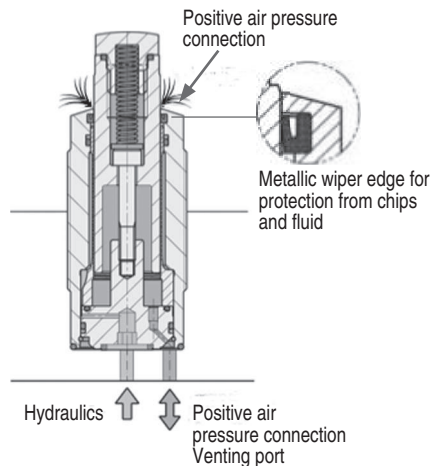
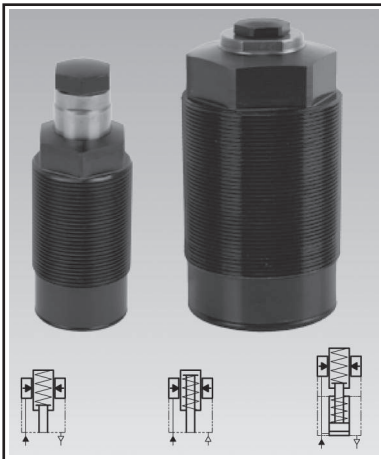
ROEMHELD
HILMA ■ STARK

Carr Lane Roemheld Mfg. Co.

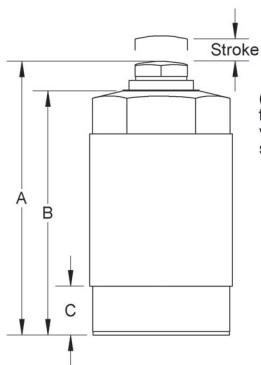
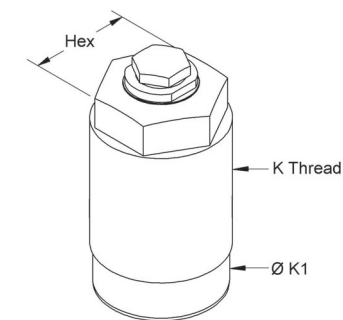
Sales — Phone (314) 647-6200 Fax (314) 647-5736
Engineering — Phone 1-800-827-2526 Web roemheld-usa.com

Work Supports ■ Threaded-Body Work Support ■ B1.943

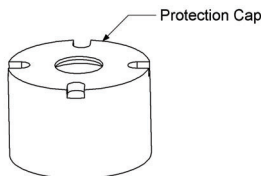
Thr. Body Work Support ■ 4 sizes ■ 3 types of function - Hydraulic, Air, Spring Single Acting ■ Max. Operating Pressure ■ 7250 psi (500 bar)



Work Supports are used to provide a self-adjusting rest of workpieces to minimize vibration and deflection from machining forces. This family of products provides multiple mounting options and four sizes within each of the three actuation types (Spring, Air, or Oil Extended). They are designed with an integrated metallix wiper edge backed up by a FKM wiper to provide excellent resistance to chips and fluid. If additional protection is required, the work supports can be piped to have low-pressure air blow-off from the wiper area.

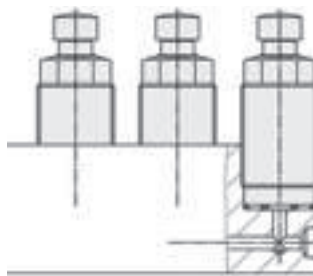


(The plunger position for the Spring Extended version is extended, so stroke is inverted.)

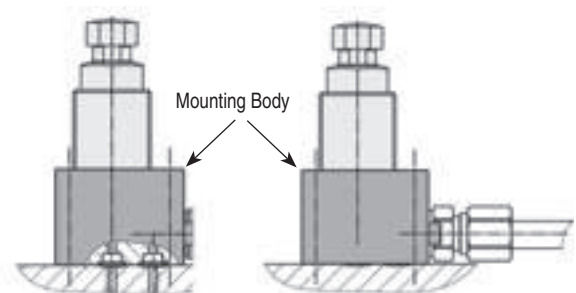


Installation and connecting possibilities

Drilled channels



O-Ring connection Tube connection



Load Capacity at 7250 psi (lbs)	1460	3370	5285	9440
Stroke (in.)	0.31	0.39	0.39	0.63
A (in.)	2.97	3.39	3.54	4.53
B (in.)	2.32	2.85	3.07	4.04
C (in.)	0.33	0.69	0.81	0.81
K Thread	M30 x 1.5	M36 x 1.5	M48 x 1.5	M60 x 1.5
Ø K1 (in.)	1.12	1.35	1.83	2.30
Hex (in.)	0.94	1.18	1.61	1.97
Weight (lbs)	0.66	1.10	1.98	4.19
Part No., Spring Extended	CLR-1940-300	CLR-1940-400	CLR-1940-501	CLR-1940-601
Part No., Air Advanced	CLR-1941-300	CLR-1941-400	CLR-1941-501	CLR-1941-601
Part No., Fluid Advanced	CLR-1942-300	CLR-1942-400	CLR-1942-501	CLR-1942-601

Accessories

Part No., Mounting Body	CLR-0346-815	CLR-0346-816	CLR-0346-817	CLR-0346-818
Part No., Protection Cap (splash guard)	CLR-3546-110	CLR-3546-111	CLR-3546-112	CLR-3546-113

Subject to change. For further details, including detailed dimensions and mounting instructions, visit roemheld-usa.com.



ROEMHELD
HILMA ■ STARK

Carr Lane Roemheld Mfg. Co.

Sales — Phone (314) 647-6200 Fax (314) 647-5736
Engineering — Phone 1-800-827-2526 Web roemheld-usa.com

The Protection Cap can be installed between the contact bolt and plunger to protect the wiper area from high pressure coolant and chips.

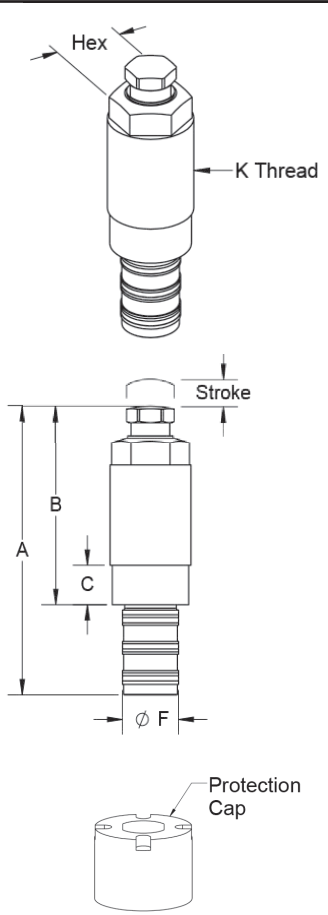
Work Supports ■ Threaded-Body Work Support ■ B1.944

Threaded-Body Work Support ■ with metal wiper ■ optional contact control
Double Acting ■ Max. Operating Pressure ■ 7250 psi (500 bar)

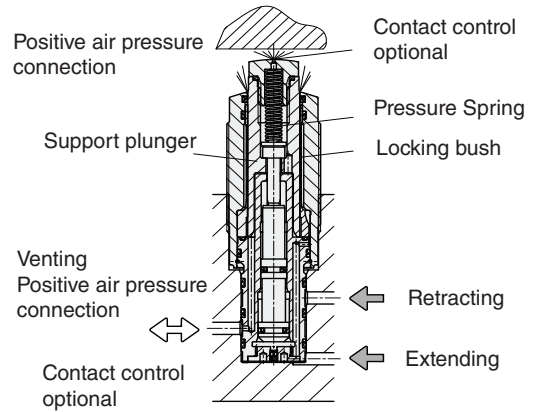
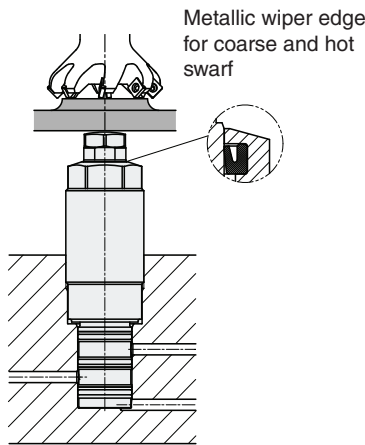


Hydraulic work supports are used to provide a self-adjusting rest for workpieces and avoid vibration and deflection under machining loads. The threaded-body design allows for space saving by direct installation into the fixture body. Double-acting allows for a defined time on the return stroke of the support plunger for cycle-dependent applications. Metallic wiper edge and FKM wiper come standard. To guarantee

performance a vent port is imperative; by connecting a slight pneumatic pressure to the venting system the work support is effectively protected against the penetration of liquids. If a strong coolant jet is directed onto the support plunger or wiper edge an optional protective cap is available. Also optional is pneumatic workpiece contact control, allowing recognition of when work support has contacted the workpiece.



The Protection Cap can be installed between the contact bolt and plunger to protect the wiper area from high pressure coolant and chips.



Load capacity at 7250 psi (lbs)	1460	3370	5285	9440
Stroke (in.)	0.31	0.39	0.39	0.63
A (in.)	4.51	4.90	5.18	6.22
B (in.)	2.96	3.37	3.53	4.51
C (in.)	0.31	0.67	0.79	0.79
K Thread	M30 x 1.5	M36 x 1.5	M48 x 1.5	M60 x 1.5
Ø F (in.)	0.87	0.98	1.18	1.38
Hex (in.)	0.94	1.18	1.61	1.97
Weight (lbs)	1.04	1.50	2.71	5.4
Part No.	CLR-1942-310	CLR-1942-410	CLR-1942-510	CLR-1942-610
Part No., with contact control	CLR-1942-310P	CLR-1942-410P	CLR-1942-510P	CLR-1942-610P
Contact bolt for contact control	CLR-3614-390	CLR-3614-389	CLR-3614-391	CLR-3614-418

Accessories				
Weight (lbs)	0.05	0.05	0.07	0.14
Protection Cap (splash guard)	CLR-3546-110	CLR-3546-111	CLR-3546-112	CLR-3546-113

Subject to change. For further details, including detailed dimensions and mounting instructions, visit roemheld-usa.com.



ROEMHELD
 HILMA ■ STARK

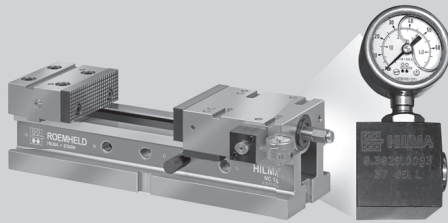
Carr Lane Roemheld Mfg. Co.

Sales — Phone (314) 647-6200 Fax (314) 647-5736
 Engineering — Phone 1-800-827-2526 Web roemheld-usa.com

Power Visers and Concentric Clamping

Power Machine Visers

Carr Lane Roemheld has a wide variety of machine visers for your applications, made of the finest quality construction for excellent rigidity and durability. More varieties can be found in the Machining Visers section at clrh.com.

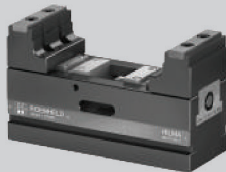


NC-Series Machining Center Visers
pages 658-659

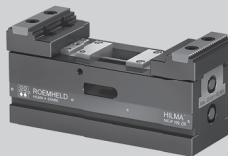
Machining Center Visers — NC-series Visers, available with or without gauge, are available in both hydraulic and hydromechanical versions. The hydraulic version provides automatic power clamping with exact high force at the push of a button. The hydromechanical version is manually operated, with final high force applied easily using hydraulic power assist.



MC-P Fixed Jaw Visers
page 665

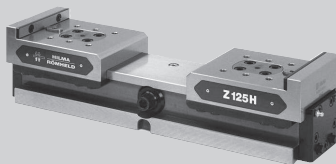


MC-P Z Concentric Visers
page 666



MC-P ZB Position Flexible Visers
page 667

MC-P Visers are especially advantageous for 5-axis machining. Compact design allows for collision-free tool paths and access to all 5 sides with short standard tools. The patented three-piece segment design allows for a high degree of precision. Due to the predesigned swarf protection, they are particularly suitable for use in pallet systems.



Concentric Visers
pages 670-670

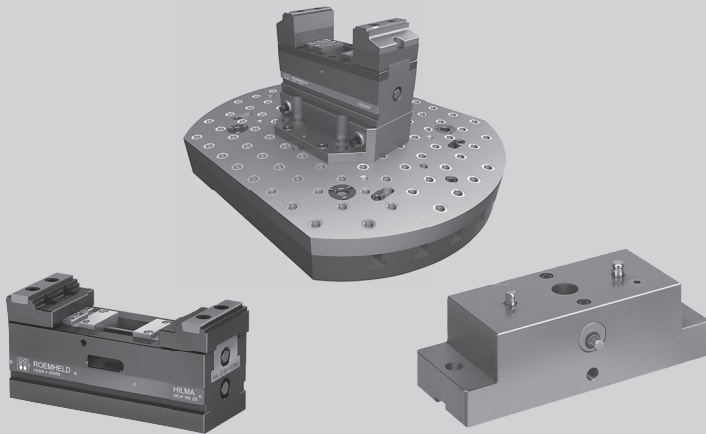
Concentric Visers offer quick, accurate clamping of odd-sized workpieces. These visers may be used in machining centers, on machine tools and final processing machines as well as in special jigs and fixtures. These self-centering visers position and clamp workpieces precisely on a defined symmetrical axis, allowing for any contours, and have a high clamping repeatability of $\pm 0.01\text{mm}$.

Vise Jaws and Accessories

pages 660-661, 666-669



Power Vises and Fixturing Systems



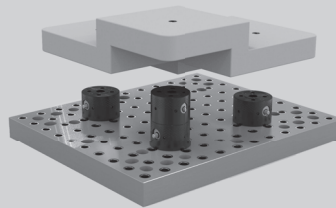
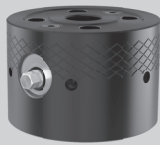
CL5® Quick-Change Five-Axis Workholding

pages 663-669



Quick-Change Five-Axis Workholding

Accurate and versatile fixture for round, square, and hex-shaped workpieces. Mounts vertically or horizontally, and uses standard 5C collets. Advanced workpiece-release mechanism for flawless operation. Far better accuracy and repeatability than competitive collet vises. Workpiece is pulled solidly against the bottom stop for excellent height repeatability.



DropZero Modular Zero Point System

pages 672-675



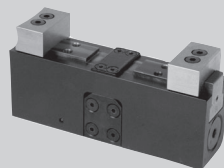
Modular Zero Point System

New DropZero Modular Zero-Point Clamping System enables complete machining of a workpiece in one setup, significantly reducing setup time and fixturing costs. With a few turns of a wrench, DropZero locates, supports, and securely clamps the workpiece from underneath, providing full machining access to 5 sides. Drop Zero can be used with modular or non-modular tooling.



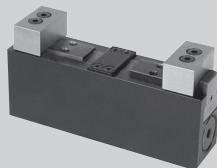
With Fixed Jaw

page 677



Concentric

page 678



Position Flexible

page 679

Fixture Clamps

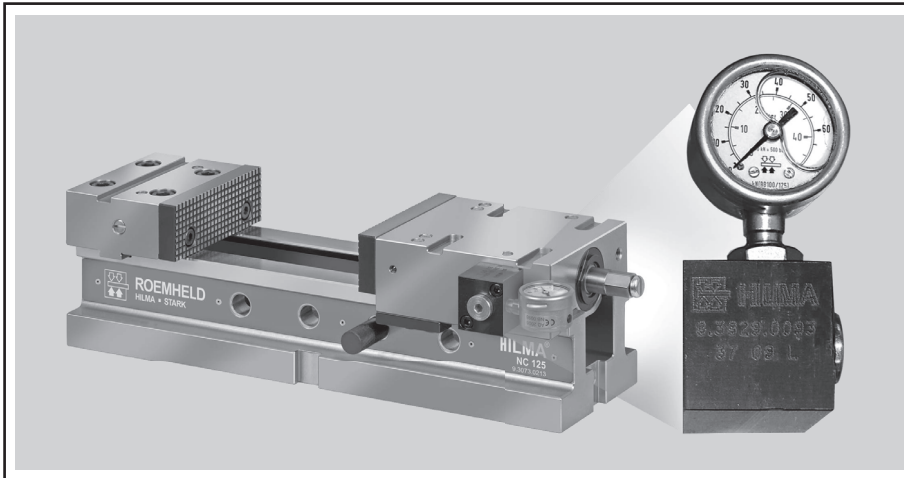
Fixture clamps consist of a very compact body with integrated hydraulic cylinders that actuate the movable jaw. All threads and ports are at the bottom which allows for a very tight and space savings arrangement. Accessory blank jaws are also available that can be milled to match the workpiece contour.



ROEMHELD
HILMA ■ STARK

Carr Lane Roemheld Mfg. Co.

Sales — Phone (314) 647-6200 Fax (314) 647-5736
Engineering — Phone 1-800-827-2526 Web roemheld-usa.com



**NC Series Hydra-Mechanical
(shown with gauge)**

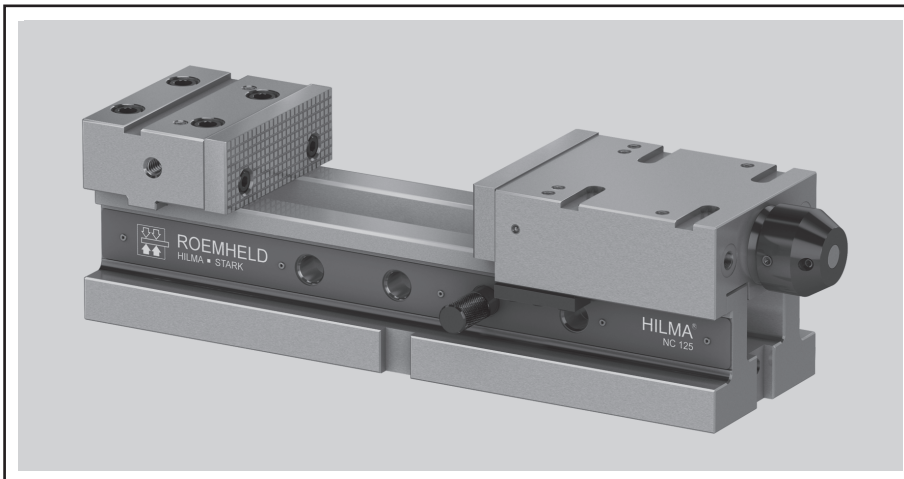
- Hydraulic version provides automatic power clamping with exact high force at the push of a button (requires external power unit)
- Hydra-mechanical version is manually operated, with final high force applied easily using hydraulic power assist
- Finest-quality construction for excellent rigidity and durability
- Choice of three sizes

OPERATION OF HYDRAULIC VERSION: To set up initially, adjust jaw opening to the workpiece using the removable crank handle. When fluid pressure is applied by actuating the external power unit, the sliding jaw moves through its power stroke to apply full clamping force (.276" maximum stroke for safety). Unclamping is by positive spring return.

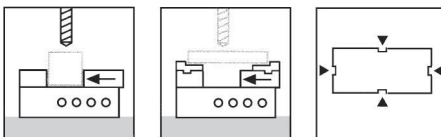
OPERATION OF HYDRA-MECHANICAL VERSION: Turning the crank handle clockwise moves the sliding jaw mechanically toward the workpiece. Once resistance is met, further turning automatically disengages the screw spindle and gradually applies full hydraulic pressure, with relatively little effort. Turn handle counterclockwise to unclamp.

MOUNTING: Vises are all slotted underneath for 20mm fixture keys, to provide accurate mounting on T-slotted machine tables. Use two Step Fixture Keys to adapt to a specific table-slot size (see tooling-component catalog section). A hardened steel pin fits into any of the adjustment holes on each side of the guide rails, to provide quick coarse adjustment of jaw opening.

ACCESSORIES: A crank handle is furnished with each vise. Optional right-angle-drive units (hydra-mechanical version only) are highly recommended if vises are mounted vertically.



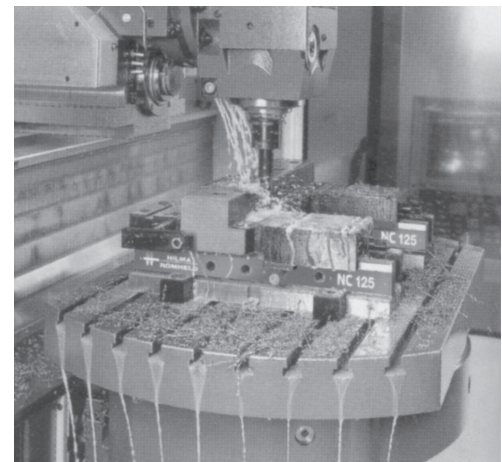
NC Series Hydraulic



Horizontal Mounting

Accepts Top Jaws

Two-Axis Location



NC-Series vises are ideal for precision, high-production machining on all types of vertical machining centers.



ROEMHELD
HILMA ■ STARK

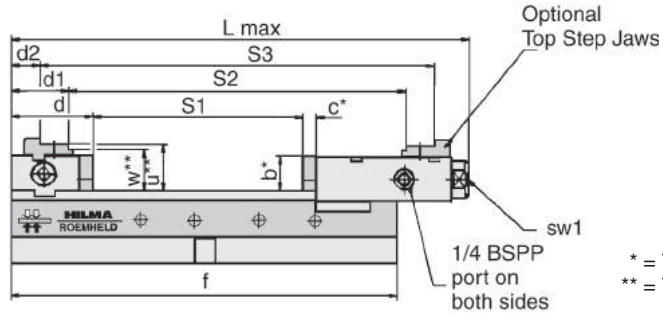
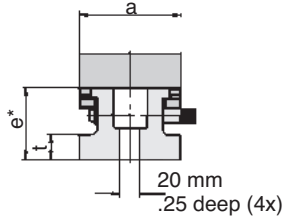
Carr Lane Roemheld Mfg. Co.

Sales — Phone (314) 647-6200 Fax (314) 647-5736
Engineering — Phone 1-800-827-2526 Web roemheld-usa.com

Machining-Center Vises ■ NC Series

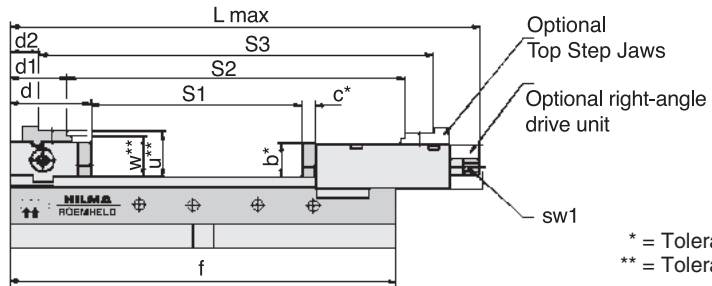
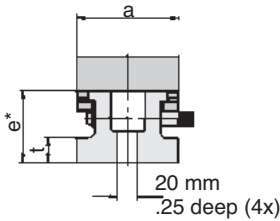
5075 psi max
Single acting

Hydraulic



* = Tolerance ± .0004
** = Tolerance ± .0008

Hydra-Mechanical



* = Tolerance ± .0004
** = Tolerance ± .0008



Force Limiting Adapter	
100mm	CLRH-9-3762-0100-VSA
125mm	CLRH-9-3762-0125-VSA
160mm	CLRH-9-3762-0160-VSA

Jaw Width	100mm	125mm	160mm
a	3.937	4.921	6.299
b	1.3386	1.7717	2.1260
c	.5118	.5906	.7087
d	3.1496	3.9370	4.7244
d1	2.2047	2.7165	2.8346
d2	1.1024	1.3780	1.4567
e	2.7559	3.2283	3.7402
f	14.96	16.93	21.65
t	.94	1.06	1.06
u	1.7717	2.2835	2.7559
w	1.5748	2.0866	2.5591
Weight (lbs)	41	69	129



Optional Right-Angle
Drive Unit for
Hydra-Mechanical Version

Hydraulic Vises			
Max. clamping force (lbs)	5620	8990	14160
Power stroke	.197	.197	.276
Max. operating pressure (psi)	5000	5000	5000
Fluid required (cu.in.)	.31	.43	.85
L max	17.95	20.39	26.57
S1	8.23	8.98	12.36
S2	13.15	14.41	20
S3	15.35	17.09	22.76
sw1	8mm	8mm	10mm
Part No., Vise	CLRH-9-3082-0203	CLRH-9-3083-0203	CLRH-9-3084-0203

Hydra-Mechanical Vises			
Max. clamping force (lbs)	5620	8990	11240
Max. cranking force required (lbs)	11	17	21
crank throw	3.15	3.94	4.92
L max	18.27	20.71	26.93
S1	8.07	8.86	12.17
S2	12.99	14.29	19.80
S3	15.20	16.97	22.56
sw1	14mm	17mm	19mm
Part No., Vise	CLRH-9-3072-0203	CLRH-9-3073-0203	CLRH-9-3074-0203
Part No., Right-Angle Drive Unit	CLRH-9-3294-0505	CLRH-9-3294-0605	CLRH-9-3294-0705
Part No., Vise with Gauge	CLRH-9-3072-0215	CLRH-9-3073-0215	CLRH-9-3074-0215



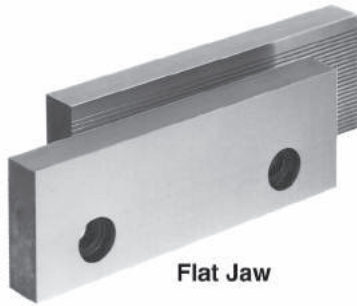
ROEMHELD
HILMA ■ STARK

Carr Lane Roemheld Mfg. Co.

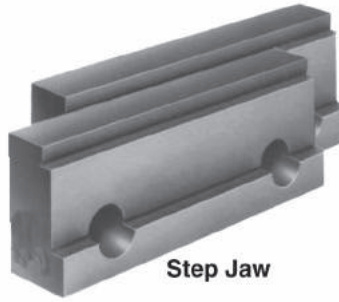
Sales — Phone (314) 647-6200 Fax (314) 647-5736
Engineering — Phone 1-800-827-2526 Web roemheld-usa.com

Vise Jaws

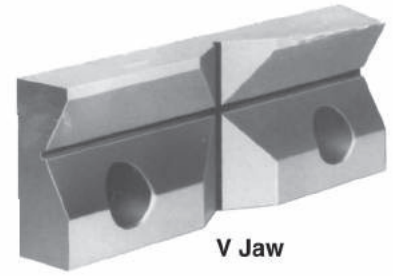
Machine Vise Jaws



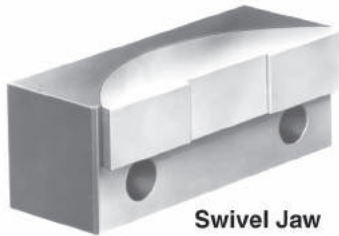
Flat Jaw



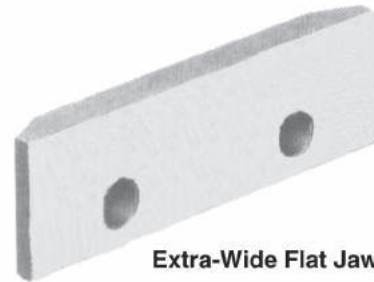
Step Jaw



V Jaw



Swivel Jaw

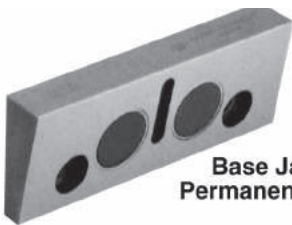


Extra-Wide Flat Jaw

Jaw Type (Single Jaw)	100mm Vise	125mm Vise	160mm Vise
Part No., Standard Flat Jaw	CLRH-5-2058-1003-VSA	CLRH-5-2058-1004-VSA	CLRH-5-2058-1005-VSA
Part No., Soft Flat Jaw	CLRH-5-2055-0097-VSA	CLRH-5-2055-0098-VSA	CLRH-5-2055-0099-VSA
Part No., Extra Wide Flat Jaw	CLRH-5-2058-1025-VSA	CLRH-5-2058-1026-VSA	CLRH-5-2058-1027-VSA
Part No., V Jaw	CLRH-5-3030-0002-VSA	CLRH-5-3030-0003-VSA	CLRH-5-3030-0004-VSA
Part No., Swivel Jaw	CLRH-3711-02-VSA	CLRH-3711-03-VSA	CLRH-3711-04-VSA
Part No., Step Jaw	CLRH-5-2082-0001-VSA	CLRH-5-2082-0002-VSA	CLRH-5-2082-0003-VSA

Quick-Insert – System Jaws

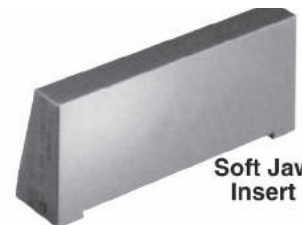
Base jaws are screwed to the fixed jaw and to the slide. Inserts, kept in place by two permanent magnets, can be changed in a few seconds.



Base Jaw with Permanent Magnets



Standard Jaw Insert



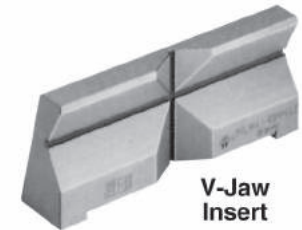
Soft Jaw Insert



Serrated Jaw Insert



Step Jaw Insert

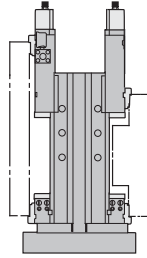
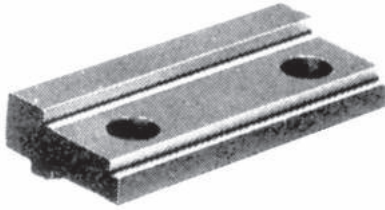


V-Jaw Insert

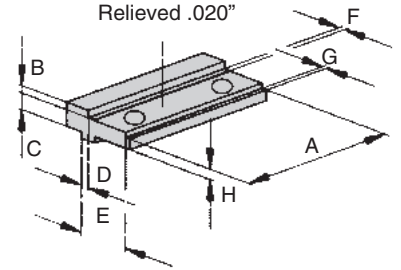
Jaw Type (Single Jaw)	100mm Vise	125mm Vise	160mm Vise
Part No., Magnetic Base Jaw	CLRH-3771-02-VSA	CLRH-3771-03-VSA	CLRH-3771-04-VSA
Part No., Standard Jaw Insert	CLRH-3771-12-VSA	CLRH-3771-13-VSA	CLRH-3771-14-VSA
Part No., Soft Jaw Insert	CLRH-3771-72-VSA	CLRH-3771-73-VSA	CLRH-3771-74-VSA
Part No., Serrated Jaw Insert	CLRH-3771-22-VSA	CLRH-3771-23-VSA	CLRH-3771-24-VSA
Part No., Step Jaw Insert	CLRH-3771-42-VSA	CLRH-3771-43-VSA	CLRH-3771-44-VSA
Part No., V Jaw Insert	CLRH-3771-52-VSA	CLRH-3771-53-VSA	CLRH-3771-54-VSA



Vise Accessories

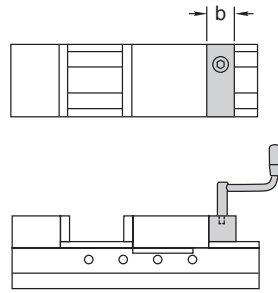


Precision step jaws that mount on top of the fixed and sliding jaws, extending jaw capacity significantly. These hardened and ground jaws are keyed to maintain excellent positional accuracy, as well as height accuracy. Note: top step jaws for sliding jaws have a wider hole spacing than those for fixed jaws. Two mounting screws are included.



Top Step Jaws

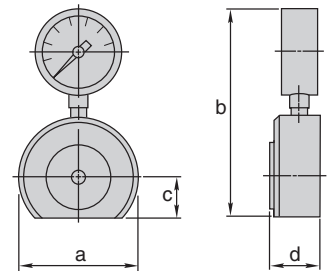
Part No. for Fixed Jaw	Part No. for Sliding Jaw	Jaw Width	A	B	C ±.0004	D ±.0004	E ±.0004	F	G	H ±.0004
CLRH-3284-02-VSA	CLRH-3284-12-VSA	100mm	3.9370		.4528	.2362	1.3386			.2559
CLRH-3284-03-VSA	CLRH-3284-13-VSA	125mm	4.9213	.197	.5512		1.5748	.197	.157	.3543
CLRH-3284-04-VSA	CLRH-3284-14-VSA	160mm	6.2992		.6693	.3150	1.6929			.4724



Extremely useful accessory for hydra-mechanical vises. Recommended when cranking from the end is difficult, especially when vises are mounted vertically.

Right-Angle Drive Units

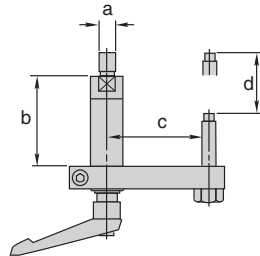
Part No.	Fits Jaw Width	Drive Hex Size	Crank Throw	b	Weight (lbs)
CLRH-3294-05-VSA	100mm	10mm	4.92	1.54	.5
CLRH-3294-06-VSA	125mm			1.69	1.0
CLRH-3294-07-VSA	160mm			1.81	2.0



Handy gauge for measuring clamping force in hydraulic or mechanical clamping systems. Flat side allows easier positioning in-line with the clamping force, especially for vises. Choice of two force ranges.

Force Gauges (Load Cells)

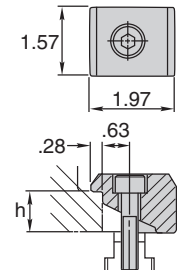
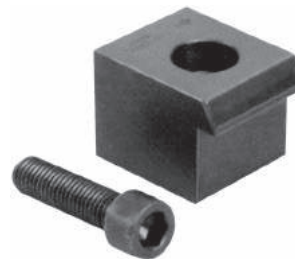
Part No.	Indicating Range	a dia	b	c	d
CLRH-2-9501-0001-VSA	0-60 kN (0-13,500 lbs)	3.46	5.91	1.14	1.46
CLRH-2-9501-0002-VSA	0-100 kN (0-22,500 lbs)	5.43	7.87	2.13	1.57



A precision workpiece stop that mounts into either side of the vise body. Reposition swing arm on the shaft by loosening the socket-head cap screw. Can be used as a swing-away stop, with the rapid-locking handle.

Adjustable Side Stops

Part No.	Fits Jaw Width	a	b max	c max	d max
CLRH-3291-02-VSA	100mm and 125mm	M12	2.40	3.74	1.81
CLRH-3291-03-VSA				4.13	
CLRH-3291-04-VSA	160mm	M16	3.19	4.88	2.60



Set of four clamps with screws, for mounting one vise.

Vise Clamps

Part No.	Fits Jaw Width	h	Socket-Head cap screws (furnished)
CLRH-9-3777-2011-VSA	100mm	.94	M12x45mm long
CLRH-9-3777-3011-VSA	125mm and 160mm	1.06	M12x45mm long
CLRH-9-3777-3021-VSA			M16x50mm long



ROEMHELD
HILMA ■ STARK

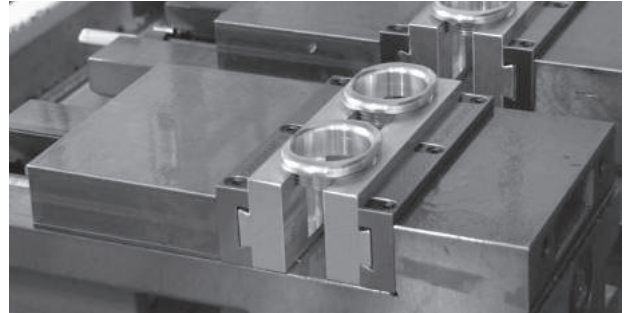
Carr Lane Roemheld Mfg. Co.

Sales — Phone (314) 647-6200 Fax (314) 647-5736
Engineering — Phone 1-800-827-2526 Web roemheld-usa.com

CARVESMART™ QUICK CHANGE VISE JAWS

QUICK - ACCURATE
VERSATILE - STURDY

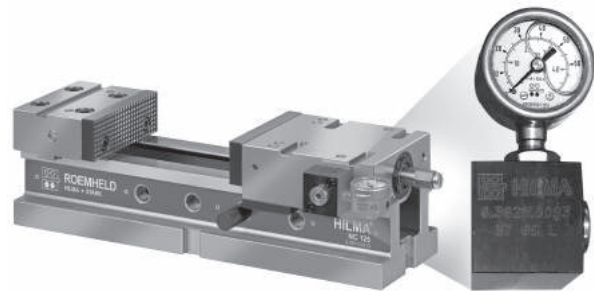
The patented CARVESMART™ Quick-Change Vise Jaw System is a complete package of dovetailed jaws for production and toolroom vises that are accurately changed in seconds.



- CLAMP NUTS: 1018 steel with QPQ wear and corrosion resistant surface treatment.
- SPEED SCREWS: Black oxidized, alloy steel differential screw. RH/LH travel moves twice as fast, lifts and pulls without gauling.
- SMARTstop™ is an internal-to-the-jaw set, slot and pin system for jobs that repeat.
- Extruded jaw stock can be cut to any length from 1/2" to 94", available in five profiles.
- Fully accessorized with dovetailed hard jaws, PERMAjaws and 1018 steel jaws.

Save \$\$ When Bundled with the NC Vise

Our NC vise is available with an *integrated force gauge* which tells you how much holding force is being applied to your workpiece. Minimal effort on the crank handle results in extremely high holding force because of the built-in hydraulic power of the vise. Now you'll know if your part is being held properly.



- Better clamping quality
- Correct clamping force every time
- Consistent process control
- Reduced tool breakage
- Workpiece deformation reduced
- Ideal for roughing and finishing
- Reduced operator fatigue

Visit clrh.com/carvesmart for more details, and to watch the video!

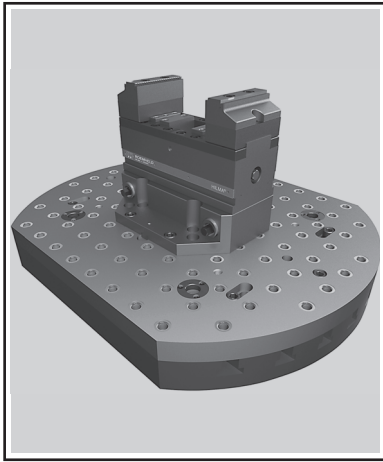


ROEMHELD
HILMA ■ STARK

Carr Lane Roemheld Mfg. Co.

Sales — Phone (314) 647-6200 Fax (314) 647-5736
Engineering — Phone 1-800-827-2526 Web roemheld-usa.com

CL5 Quick-Change Five-Axis Workholding



**Subplate Mounted
On a Rotary Table**

- **Designed specifically for 5-axis machining**
- **Also suitable for standard machining**
- **INFO+: Use in conjunction with the vises and jaws in the next few pages, as well as the subplates on pages 373-394**

DESCRIPTION: The CL5® quick-change, 5-Axis workholding system consists of three components: a subplate, a riser, and top tooling made up of a vise or a fixture plate. The subplate transforms a T-slot table into a modular fixturing plate, allowing flexible and easy clamping and locating of other tooling and/or fixtures. Designed to get the part up from the machine table, the Quintus quick-change riser allows 5-side part access. The Quintus combines the riser, quick-change capability and precise location in one piece.

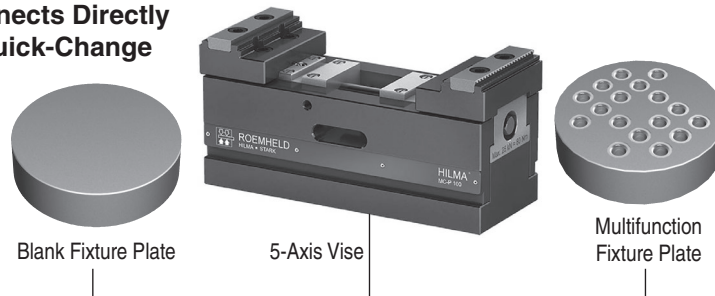
APPLICATIONS: The CL5® systems offers three primary methods of fixturing:

METHOD 1: Fixture Plate Mounted on a Rotary Table. This method is ideal for small rotary tables up to 210mm diameter. Fixture plates are accurately located and fastened directly to the rotary table.

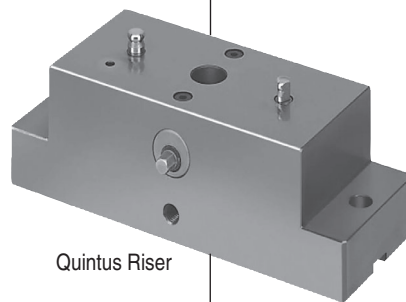
METHOD 2: Quintus Quick-Change Riser Mounted on Rotary Table. The method provides additional height for spindle clearance. It allows you to quickly and accurately mount directly on rotary tables 250mm diameter and larger.

METHOD 3: Subplate Mounted on Rotary Table. This method is appropriate for all machines. The Quintus riser is mounted on a subplate to allow quick exchange of the riser with other fixturing.

Top Tooling Connects Directly to the Quintus Quick-Change Riser

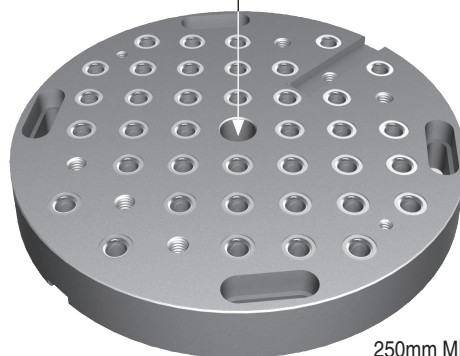


Quintus Quick-Change Riser Connects to Any Subplate, No Extra Adaptors Required



Quintus Riser

Use Subplate Alone or With Risers and Plates
INFO+: See Subplates pages 373-394



250mm MF Subplate

Subject to change. For further details, including detailed dimensions and mounting instructions, visit roemheld-usa.com.



ROEMHELD
 HILMA ■ STARK

Carr Lane Roemheld Mfg. Co.

Sales — Phone (314) 647-6200 Fax (314) 647-5736
 Engineering — Phone 1-800-827-2526 Web roemheld-usa.com

5-Axis MC-P Vise ■ Mechanically or Hydraulically Operated
Allows unrestricted tool access for 5-sided machining



MC-P Series Fixed Jaw Vise
INFO+: Page 665

- Mechanically operated
- Jaw widths: 40, 60, 100 and 125 mm
- Conventional vise style with one fixed and one moving jaw
- Jaws not included, standard versions of jaws available - see page 681



MC-P Z Series Concentric Vise
INFO+: Page 666

- Mechanically or hydraulically operated
- Jaw widths: 40, 60, 100, 125 mm
- Two moving jaws that provide exact centering of the workpiece
- Jaws not included, standard versions of jaws available - see page 681

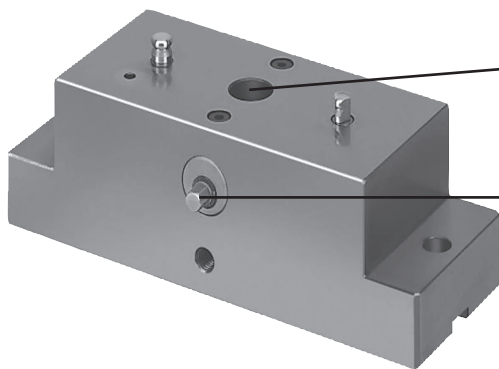


MC-P ZB Series Position Flexible Vise
INFO+: Pages 667

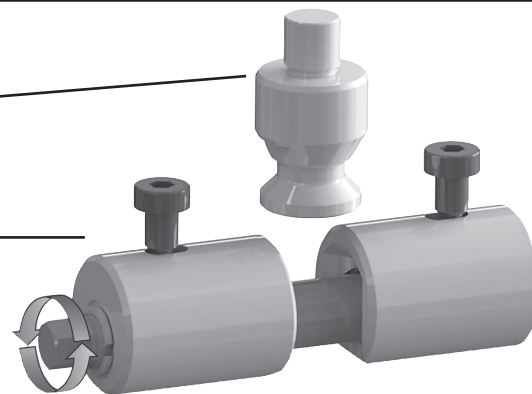
- Mechanically operated
- Jaw widths: 60, 100, 125 mm
- Two moving jaws that provide exact centering of the workpiece
- Clamping without deformation of workpieces by position flexible clamping point
- Jaws not included, standard versions of jaws available - see page 681

Quintus Quick-Change Riser

INFO+: See page 668 for more details



Quintus Clamping Mechanism



Quintus Clamping Mechanism

Subject to change. For further details, including detailed dimensions and mounting instructions, visit roemheld-usa.com.



ROEMHELD
HILMA ■ STARK

Carr Lane Roemheld Mfg. Co.
Sales — Phone (314) 647-6200 Fax (314) 647-5736
Engineering — Phone 1-800-827-2526 Web roemheld-usa.com

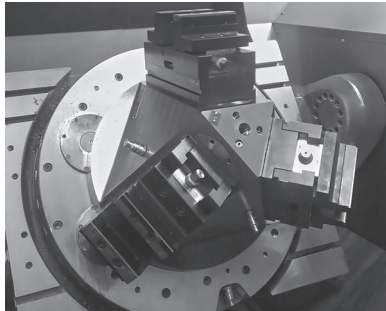
MC-P Fixed Jaw Vise ■ Mechanically Operated
Jaw Widths 40, 60, 100 and 125 mm



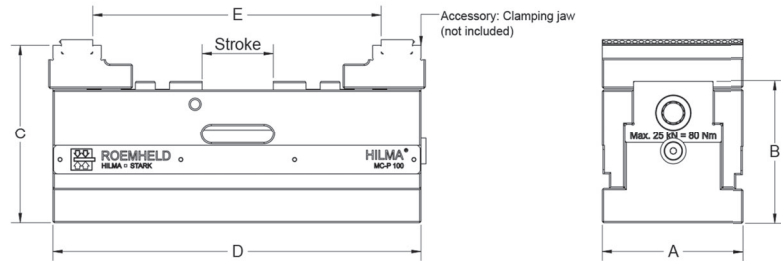
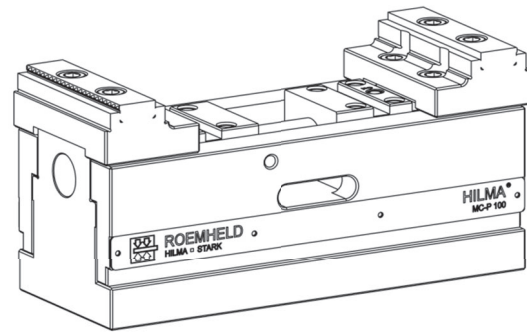
The workholding MC-P vises are especially advantageous for 5-axis machining. The patented three piece segment design allows for a high degree of precision. All essential components are made of hardened steel. Thanks to raising the spindle arranged in the upper part of the housing, deformation in the base during max. clamping is reduced significantly, improving stability and precision of the work-piece. The high force and stability eliminate the need for pre-stamping.

Compact design allows for collision-free tool paths and access to all 5 sides with short standard tools. Due to the predesigned swarf protection, they are particularly suitable for the use in pallet systems. The MC-P 100/125 are equipped to use on zero point clamping systems with threads for retractable nipples at the bottom side of the housing (nipples and pictured jaws not included). These clamps are intended to be used with hydraulic fluid only.

Application Example



3 workholding systems MC-P in 3 x 120° arrangement on a 5-axis machining center.



Accessories

- Clamping jaws and jaw inserts, accessories for mounting, positioning and operation see data sheet WS 5.450Z
- Rapid change block Quintus see data sheet WS 5.6150

Customized Versions

MC-P workholding systems can also be delivered as customized versions. For example in hydraulically-operated versions, other lengths or with individual mounting holes. Please contact us.

Operation	Manual	Manual	Manual	Manual
Type	MC-P 40	MC-P 60	MC-P 100	MC-P 125
Jaw Width (mm)	40	60	100	125
Clamping force (lbs) / Torque (ft-lbs)	1685 / 17	3370 / 37	5620 / 59	7870 / 147
Clamping stroke (in.)	0.79	1.18	1.97	3.97
A (in.)	1.57	2.36	3.94	4.92
B (in.)	2.05	2.75	3.94	5.12
C (in.)	2.52	3.46	4.92	6.30
D (in.)	4.33	6.69	10.24	11.14
E (in.)*	3.11	5.90	8.03	8.46
Weight (lbs) without clamping jaws	3.31	10.14	38.58	77.16
Part No., without clamping jaws	CLRH-9-4581-0101	CLRH-9-4583-0101	CLRH-9-4585-0101	CLRH-9-4586-0101

*Depending on the used clamping jaw

Subject to change. For further details, including detailed dimensions and mounting instructions, visit roemheld-usa.com.



ROEMHELD
 HILMA ■ STARK

Carr Lane Roemheld Mfg. Co.

Sales — Phone (314) 647-6200 Fax (314) 647-5736
 Engineering — Phone 1-800-827-2526 Web roemheld-usa.com

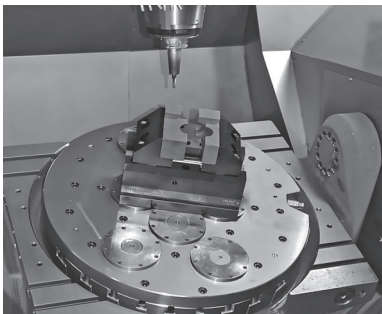
MC-P Z Concentric Vise ■ Mechanically or Hydraulically Operated
Jaw Widths 40, 60, 100 and 125 mm



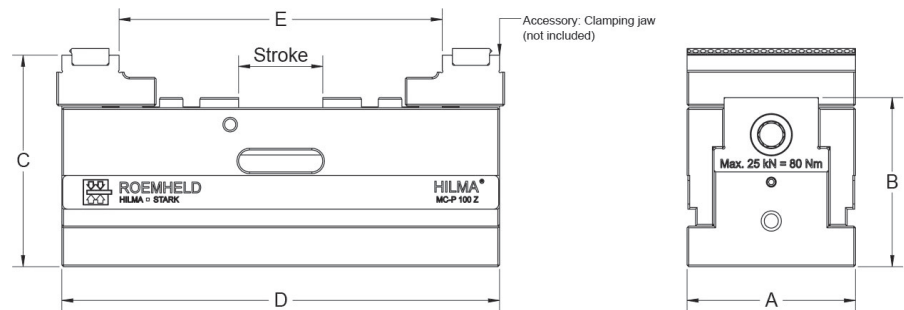
The workholding MC-P vises are especially advantageous for 5-axis machining. The patented three piece segment design allows for a high degree of precision. All essential components are made of hardened steel. Thanks to raising the spindle arranged in the upper part of the housing, deformation in the base during max. clamping is reduced significantly, improving stability and precision of the work-piece. The high force and stability eliminates the need for pre-stamping.

Compact design allows for collision-free tool paths and access to all 5 sides with short standard tools. Due to the predesigned swarf protection, they are particularly suitable for the use in pallet systems. The MC-P Z 100/125 are equipped to use on zero point clamping systems with threads for retractable nipples at the bottom side of the housing (nipples and pictured jaws not included).

Application Example



Workholding system MC-P with workpiece specific base jaw and form jaw used on a 5-axis machining center.



Accessories

- Clamping jaws and jaw inserts, accessories for mounting, positioning and operation see data sheet WS 5.450Z
- Rapid change block Quintus see data sheet WS 5.6150
- Hydraulic pressure generators on request

Customized Versions

MC-P workholding systems can also be delivered as customized versions. For example with other lengths, height or with individual mounting holes. Please contact us.

Operation	Manual	Manual	Hydraulic	Manual	Hydraulic	Manual	Hydraulic	Manual
Type	MC-P 40 Z	MC-P 60 Z	MC-P 60 ZH	MC-P 100 Z	MC-P 100 ZH	MC-P 125 Z	MC-P 125 ZH	MC-P 125 Z Compact
Jaw Width (mm)	40	60	60	100	100	125	125	125
Clamping force (lbs) / Torque (ft-lbs)	1685 / 17	3370 / 37	-	5620 / 59	-	7870 / 147	-	7870 / 147
Clamping force (lbs) / Op. press. (psi)	-	-	3370 / 4640	-	5620 / 2900	-	7870 / 3480	-
Clamping stroke (in.)	0.79	1.18	1.18	1.97	1.97	3.97	3.97	3.97
A (in.)	1.57	2.36	2.36	3.94	3.94	4.92	4.92	4.92
B (in.)	2.05	2.75	3.15	3.94	3.94	5.12	5.12	5.12
C (in.)	2.52	3.46	3.86	4.92	4.92	6.30	6.30	6.30
D (in.)	4.33	6.69	6.69	10.24	10.47	18.31	18.31	11.14
E (in.)*	3.11	5.90	5.90	8.03	8.03	15.75	9.45	8.46
Weight (lbs) without clamping jaws	3.31	10.36	11.90	39.02	38.36	115.30	111.33	67.24
Part No. without clamping jaws	CLRH-9-4581-0301	CLRH-9-4583-0301	CLRH-9-4583-0401	CLRH-9-4585-0301	CLRH-9-4585-0401	CLRH-9-4586-0301	CLRH-9-4586-0401	CLRH-9-4586-0601

* Depending on the used clamping jaw

Subject to change. For further details, including detailed dimensions and mounting instructions, visit roemheld-usa.com.



Carr Lane Roemheld Mfg. Co.

Sales — Phone (314) 647-6200 Fax (314) 647-5736
 Engineering — Phone 1-800-827-2526 Web roemheld-usa.com

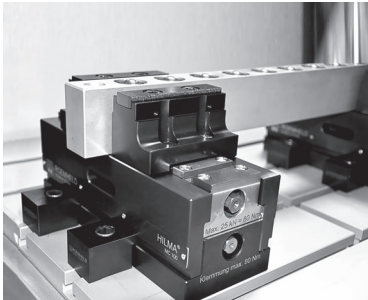
MC-P Z Balance Position Flexible Vise ■ Mechanically Operated
Jaw Widths 60, 100 and 125 mm



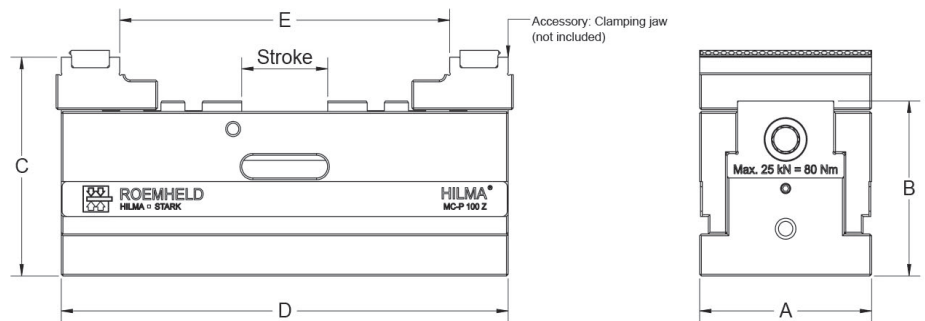
The workholding MC-P ZB vises are especially advantageous for 5-axis machining. It has a position flexible clamping point. This allows for similar workpiece with a variable clamping point to be utilized in the same fixture. The jaws move concentrically to the clamping point on the prelocated fixed workpiece. Once one jaw makes contact to the part the opposite jaw is the only one going to travel. When both jaws make contact with the workpiece, the desired clamping force is applied by means of a torque wrench. This does not deform the workpiece because the clamping point is still floating. Finally the locking spindle is used to lock the jaws into place.

The patented three piece segment design allows for a high degree of precision. All essential components are made of hardened steel. Thanks to raising the spindle arranged in the upper part of the housing, deformation in the base during max. clamping is reduced significantly, improving stability and precision of the workpiece. The high force and stability eliminates the need for pre-stamping. Compact design allows for collision-free tool paths and access to all 5 sides with short standard tools. Due to the predesigned swarf protection, they are particularly suitable for the use in pallet systems. The MC-P ZB 100/125 are equipped to use on zero point clamping systems with threads for retractable nipples at the bottom side of the housing (nipples and pictured jaws not included).

Application Example



Clamping of aluminium bars with workholding system MC-P 100 Z Balance.



Accessories

- Clamping jaws and jaw inserts, accessories for mounting, positioning and operation see data sheet WS 5.450Z
- Rapid change block Quintus see data sheet WS 5.6150

Customized Versions

MC-P Z Balance workholding systems can also be delivered as customized versions. For example with other lengths or with individual mounting holes. Please contact us.

Operation	Manual	Manual	Manual
Type	MC-P 60 ZB	MC-P 100 ZB	MC-P 125 ZB
Jaw Width (mm)	60	100	125
Clamping force (lbs) / Torque (ft-lbs)	3370 / 37	5620 / 59	7870 / 147
Clamping stroke (in.)	1.18	1.97	3.97
A (in.)	2.36	3.94	4.92
B (in.)	2.75	3.94	5.12
C (in.)	3.46	4.92	6.30
D (in.)	6.69	10.24	18.31
E (in.)*	5.90	8.03	15.75
Weight (lbs) without clamping jaws	10.14	38.58	115.30
Part No., without clamping jaws	CLRH-9-4583-0701	CLRH-9-4585-0701	CLRH-9-4586-0701

* Depending on the used clamping jaw

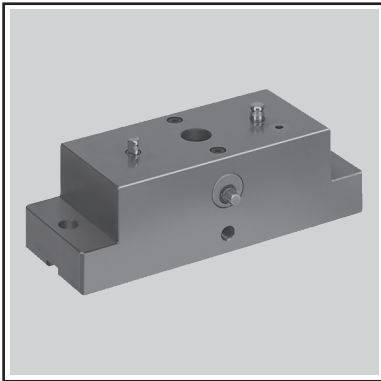
Subject to change. For further details, including detailed dimensions and mounting instructions, visit roemheld-usa.com.



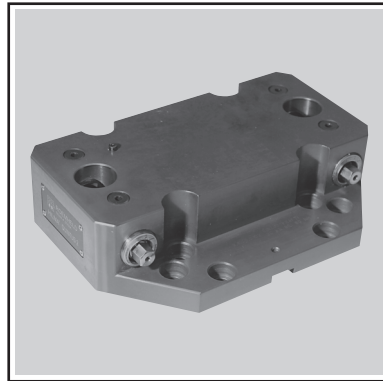
ROEMHELD
 HILMA ■ STARK

Carr Lane Roemheld Mfg. Co.
 Sales — Phone (314) 647-6200 Fax (314) 647-5736
 Engineering — Phone 1-800-827-2526 Web roemheld-usa.com

Quintus Riser ■ Quick-Change Riser
Max. Retention Force per Clamping Pin ■ 4500 lbs



Quintus 1
Quick Change Riser

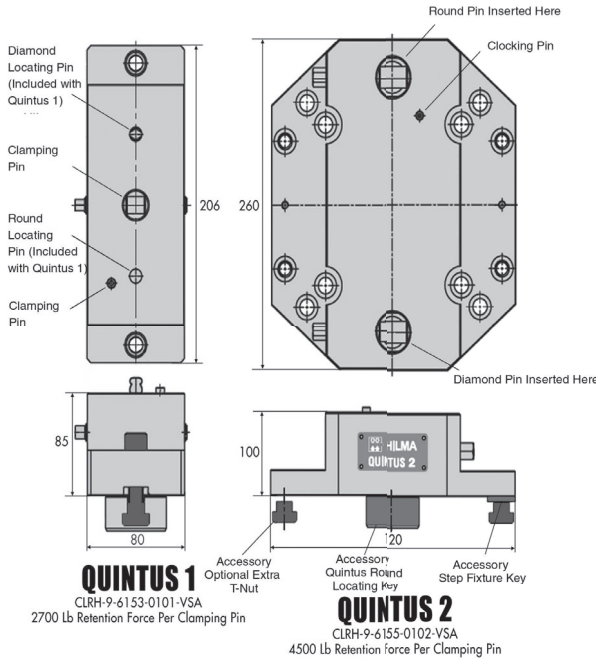


Quintus 2
Quick Change Riser

- Vises and fixture plates mount directly onto the Quintus Quick-Change Riser
- Two sizes
- Extremely accurate

The CL5® quick-change, 5-Axis workholding system consists of three components: a subplate, a riser, and top tooling made up of a vise or a fixture plate. The subplate transforms a T-slot table into a modular fixturing plate, allowing flexible and easy clamping and locating of other tooling and/or fixtures. Designed to get the part up from the machine table, the Quintus quick-change riser allows 5-side part access. The Quintus combines the riser, quick-change capability and precise location in one piece.

Quick Change for Non-Quintus Riser
see data sheet WS 5.6150.



Round Locating Key
for Quintus 1, 2

PART NO.	Ømm	L1 / L2
CLRH-9-6153-5001-VSA	D 30 g6	15/38
CLRH-9-6153-5002-VSA	D 32 g6	15/38
CLRH-9-6153-5003-VSA	D 50 g6	25/48
CLRH-9-6153-5009-VSA	D 50 g6	18/41

Step Fixture Key
CLM-6x16-SHCS screw required

PART NO.	FIXTURE SLOT	TABLE SLOT
CLRH-9-6153-5004-VSA	20mm	14mm
CL-20-SFK-16	20mm	16mm
CL-20-SFK-18	20mm	18mm
CLM-20-FK	20mm	20mm

Quintus Pin Sets

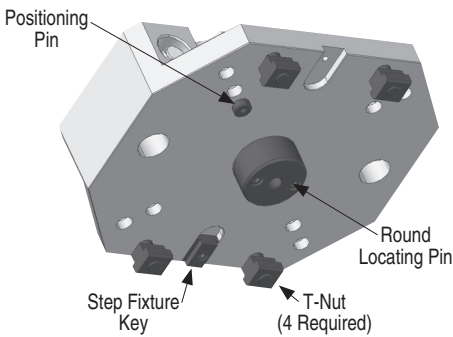
PART NO.	INCLUDES
CLRH-9-3920-0201-VSA	QUINTUS 1 - w/o Centering
CLRH-9-3920-0202-VSA	QUINTUS 2 - Round & Diamond Pin

Positioning Pin
for Quintus 2. (1 piece)

PART NO.	Ømm
CLRH-9-3920-0102-VSA	10/14 h6

T-Nut
with screw (set of 4)

PART NO.	T-SLOT (mm)
CLRH-9-6153-5005-VSA	14



Bottom View of Quintus 2

Subject to change. For further details, including detailed dimensions and mounting instructions, visit roemheld-usa.com.



ROEMHELD
HILMA ■ STARK









Carr Lane Roemheld Mfg. Co.

Sales — Phone (314) 647-6200 Fax (314) 647-5736
Engineering — Phone 1-800-827-2526 Web roemheld-usa.com

MC-P Vise Jaws ■ Clamping Jaws
Jaw Widths 40, 60, 100 and 125 mm

Scope of delivery - clamping jaws

All clamping jaws are supplied with fastening screws.
Reversible step jaws are always delivered without jaw inserts.
For more accessories and jaw inserts option (see data sheet WS 5.450Z).

			MC-P 40, Z	MC-P 60, Z, ZH, ZB	MC-P 100, Z, ZH, ZB	MC-P 125, Z, ZH, Z Compact, ZB
	Step Jaw - Flat	Reversible step jaw, hardened and ground, (without jaw inserts)	-	CLRHR-9-4583-6901	CLRHR-9-4585-6901	CLRHR-9-4585-6901
	Step Jaw - Wide	Reversible, interchangeable standard insert, one side serrated, one side smooth, may be replaced with custom inserts, (without jaw inserts)	-	CLRHR-9-4583-6902	CLRHR-9-4585-6902	CLRHR-9-4586-6902
	Step Jaw - Medium		-	CLRHR-9-4583-6903	CLRHR-9-4585-6903	CLRHR-9-4586-6903
	Step Jaw - Narrow		-	-	CLRHR-9-4585-6904	-
	Pendulum Jaw	For compensating non-parallel clamping surfaces, hardened and ground (without jaw inserts)	-	-	CLRHR-9-4585-6905	CLRHR-9-4586-6905
	Vee Jaw	Vee Jaw with removable insert for increased part range, hardened	-	CLRHR-9-4583-6921	CLRHR-9-4585-6921	-
	Step Jaw	Reversible step jaw, 2 steps, hardened	CLRHR-9-4581-6931	CLRHR-9-4583-6931	CLRHR-9-4585-6931	CLRHR-9-4586-6931
	Soft Jaw	Machinable soft jaw	CLRHR-9-4581-6932	CLRHR-9-4583-6932	CLRHR-9-4585-6932	CLRHR-9-4586-6932

INFO+: The jaws on this page are designed to be used with the 5-axis machining vises on pages 665-667

Subject to change. For further details, including detailed dimensions and mounting instructions, visit roemheld-usa.com.

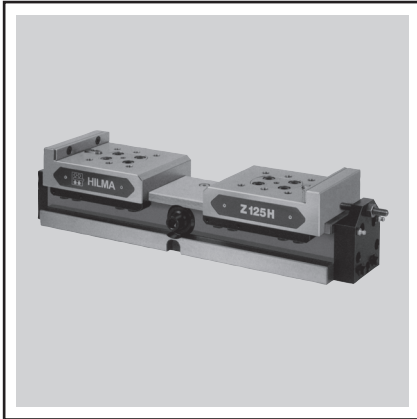


ROEMHELD
HILMA ■ STARK

Carr Lane Roemheld Mfg. Co.
Sales — Phone (314) 647-6200 Fax (314) 647-5736
Engineering — Phone 1-800-827-2526 Web roemheld-usa.com

Concentric Vises

2175 psi max clamp
290 psi max unclamp



Hydraulic Concentric

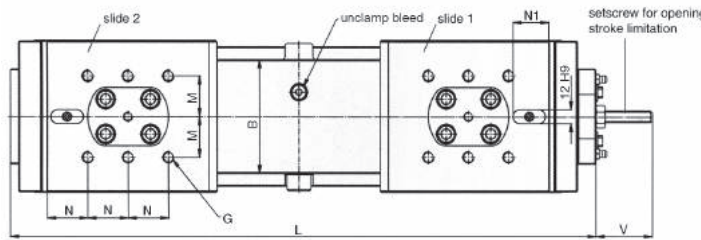
- High clamping repeatability ± 0.01 mm
- Constant length and large clamping ranges
- Any mounting position
- Possibilities for positioning and fastening customer-specific jaws
- Protection against coolant and swarf by integral wipers in the clamping slides
- Large stroke of the slide
- Limitation of the opening stroke by an adjustable set screw
- An additional pilot-controlled check valve can be fitted to the 'clamping' port

DESCRIPTION: Self-centering vises position and clamp workpieces exactly on a defined symmetrical axis, taking account of their contours.

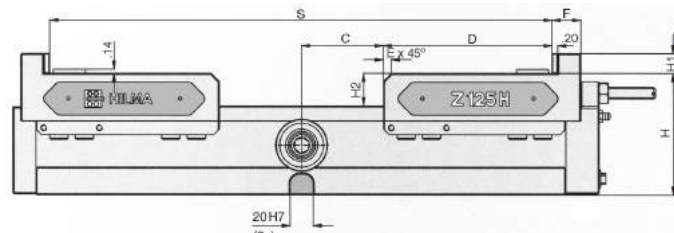
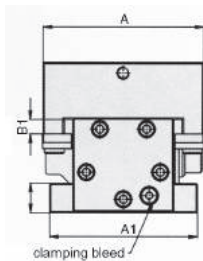
They may be used in machining centers, on machine tools and final processing machines as well as in special jigs and fixtures.

Hydraulic clamping and unclamping is powered by an external pressure transmitter with a double-acting circuit.

The adjustable synchronizing device ensures high centering precision.



Connections:
Port A - clamping
Port B - unclamping
S1 - oil lubrication slide 1
S2 - oil lubrication slide 2



Includes:

- Fitting key, positioning and mounting holes for standard and special jaws
- Keyway across the length for positioning
- Clamping edge for claws
- Lubrication nipples and connections, respectively, for central lubrication.
- Oil ports 1/4 BSPP, A - clamping, B - unclamping

INSTALLATION (EXAMPLE) For hydraulic oil supply, pump units working intermittently are preferred. In the clamped position, the directional valves are idle, and the operating pressure is maintained by an integral check valve.

Two pressure switches (pump control and machine safety) monitor the adjusted operating pressure.

Clamping and unclamping can be controlled by hand-operated valves, by selector or foot-operated switch or, fully automatic, by signals.

Do not exceed 300 psi on unclamp circuit. Recommended power unit CLR-886-EP.

Jaw Width (A)	100mm 3.937"	125mm 4.921"	160mm 6.299"
Max. clamping force (lbs)	3595	5620	8990
Power stroke/slide (in.)	0.87	1.38	1.77
Max. operating pressure (psi)	2175/290	2175/290	2175/290
Fluid required (cu.in.)	3.7	8.4	17
A	3.937	4.921	6.299
A ₁	3.937	4.724	5.59
B	2.91	3.86	7.8
B ₁	0.39	0.51	0.59
C	1.69	2.8	2.95
D	4.53	5.79	7.28
E	0.28	0.28	0.39
F	0.98	0.98	1.18
G	M8x12	M10x15	M12x18
H	3.74	4.13	4.92
H ₁	0.63	0.67	0.79
H ₂	1.02	1.1	1.34
L	15.35	19.69	23.62
M	1.18	1.38	1.57
N	0.98	1.38	1.97
N ₁	0.98	1.26	1.26
S	12.44	17.17	20.47
U	0.51	0.55	0.63
V	1.30	1.93	2.36
W	1.42	1.65	1.81
Weight (lbs)	49	86	150
Part No.	CLRH-9-3542-0101-VS	CLRH-9-3543-0101-VS	CLRH-9-3544-0101-VS
Part No. with Proximity Switches	CLRH-9-3542-0201-VS	CLRH-9-3543-0201-VS	CLRH-9-3544-0201-VS

Subject to change. For further details, including detailed dimensions and mounting instructions, visit roemheld-usa.com.



Carr Lane Roemheld Mfg. Co.

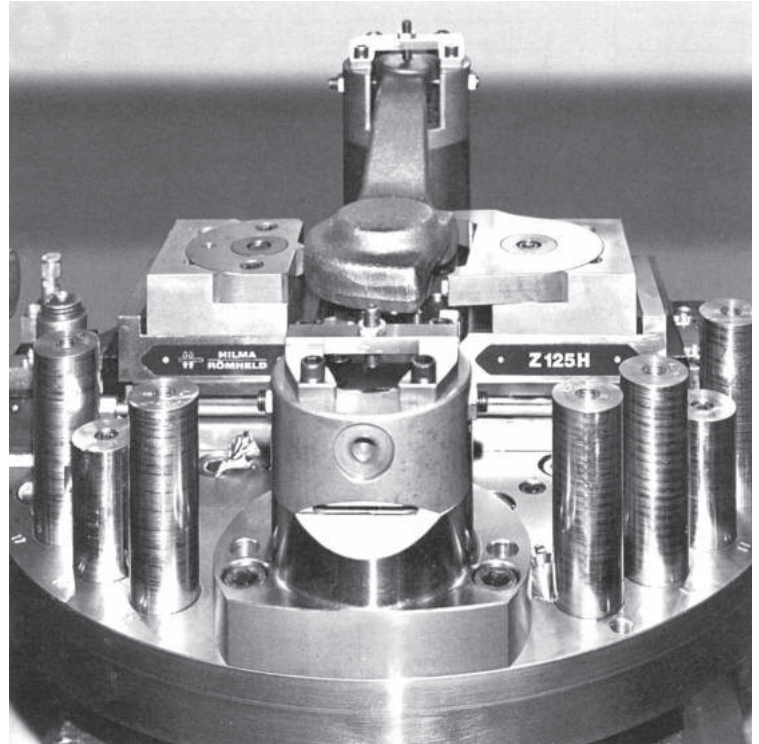
Sales — Phone (314) 647-6200 Fax (314) 647-5736
Engineering — Phone 1-800-827-2526 Web roemheld-usa.com

Concentric Vises

2175 psi max to clamp
290 psi max to unclamp

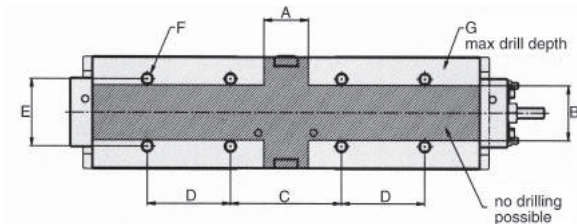


Jaws Quoted
Upon Request.

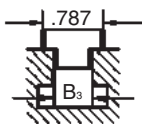


Self-centering vise, hydraulically operated

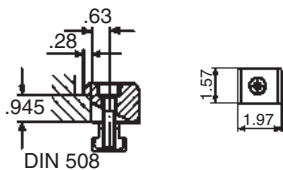
Drill template for customized fastening



Type	A	B	C	D	E	F	G
Z 100 H	1.58	1.93	3.94	2.95	2.36	M10x15	.78
Z 125 H	1.78	2.17	6.46	3.27	2.68	M12x20	.86
Z 160 H	2.17	2.37	6.30	4.72	3.15	M12x20	.86



Set of tenon blocks
DIN 6323



Set of clamping claws with
screws M12x45

Accessories

Part No.	Slot in the machine bed
CLRH-3917-4121-VSA	14h6 (B3)
CLRH-3917-4141-VSA	18h6 (B3)

1 set = 2 blocks

Part No.	For safe clamping on the machine bed
CLRH-3777-2011-VSA	1 set = 4 claws

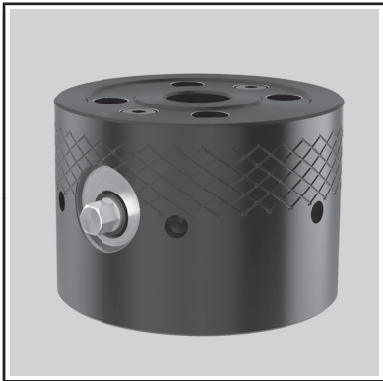


Carr Lane Roemheld Mfg. Co.

Sales — Phone (314) 647-6200 Fax (314) 647-5736
Engineering — Phone 1-800-827-2526 Web roemheld-usa.com

Modular Zero-Point System ■ DropZero™

DropZero ■ 5-Axis System ■ Locates, Clamps and Supports a Workpiece
Manual Operation ■ Max. Retention Force ■ 2700 lbs

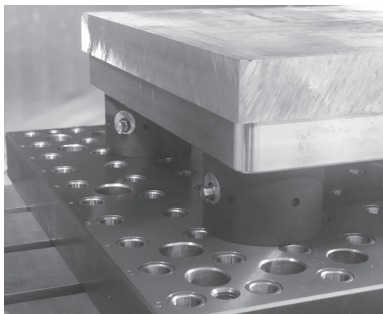


- Reduces setup time and fixturing costs
- Modular design works with all of CLM's 1/2" and 5/8" modular tooling
- Can also be used with non-modular tooling
- Elevates workpiece for machine spindle clearance
- Access to all 5 sides of the part
- Stackable for added clearance
- High stability due to robust and wide design

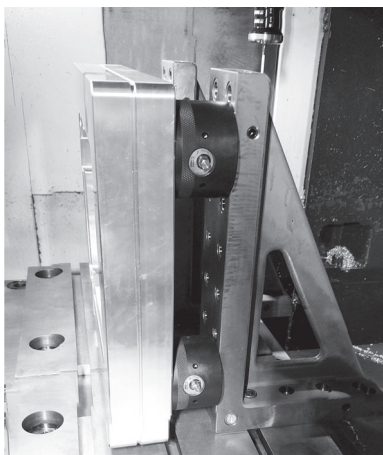
New item!

With a few turns of a wrench, new DropZero Modular Zero-Point System quickly unloads and loads new parts in one setup, all while having access to all five sides of the workpiece. Pull studs (round, diamond, and floating) are mounted directly to a part, and clamp modules can be mounted to any fixture plate and can be stacked for added height. DropZero gives you better part quality due to a completely machined part in one setup, reduced fixturing costs, and simpler tool paths.

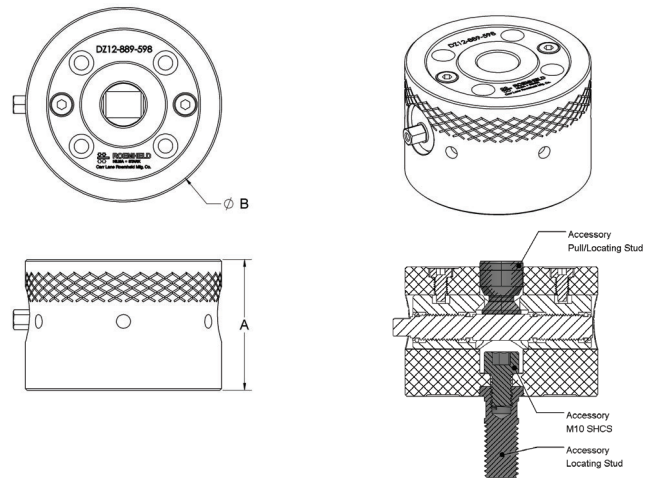
Application Examples



Four DropZeros mounted on a Carr Lane Mfg. modular fixturing plate holding an aluminum billet part.



Example of side work for vertical applications.



Operation	Manual
Type	Zero Point Mounting
Retention force (lbs) / Torque (ft-lbs)	2700 lbs/ 45 ft-lbs [12 kN/ 60 Nm]
A (in.)	2.35 ± 0.0004 in [59.8 ± 0.01 mm]
Ø B (in.)	3.50 in [88.9 mm]
Weight (lbs)	5.64 lbs [2.56 kg]
Part No.	CLR-DZ12-889-598
Pallet Change Repeatability	≤ 0.0004 in [0.01 mm]

Accessories

Part No., housing unit only	CLR-DZ12-889-598-H
Part No., zero-point locating stud/screw (1/2-13 UNC-2A)	CLR-DZ12T-500Z
Part No., zero-point locating stud/screw (5/8-11 UNC-2A)	CLR-DZ12T-625Z
Part No., socket-head cap screw	CLR-M10-1.50X16-SHCS
Part No., clamping spindle	CLR-DZ12M-25
Part No., zero-point pull stud	CLR-DZ12N-20Z
Part No., diamond pull stud	CLR-DZ12N-20D
Part No., floating pull stud	CLR-DZ12N-20F
Part No., floating pull stud without pallet/part, locating shoulder	CLR-DZ12N-195
Part No., locating dowel	CLR-DZ12D-15
Custom standoff	Available on request

Subject to change. For further details, including detailed dimensions and mounting instructions, visit roemheld-usa.com.

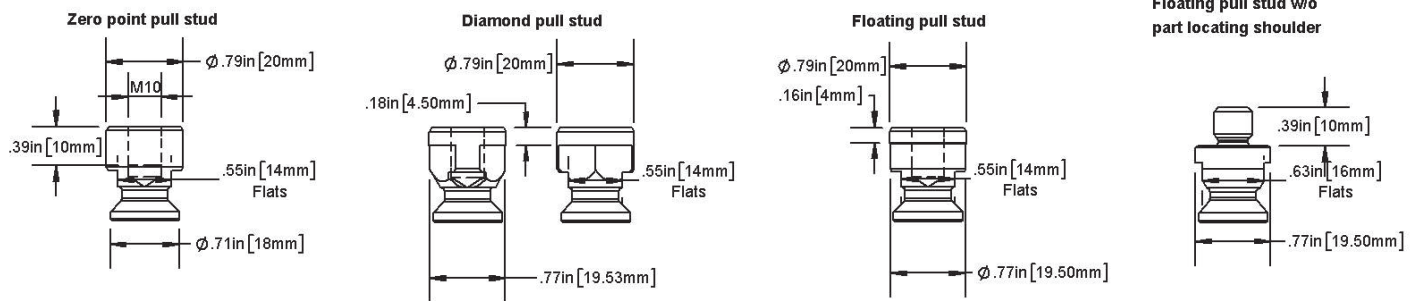


ROEMHELD
 HILMA ■ STARK

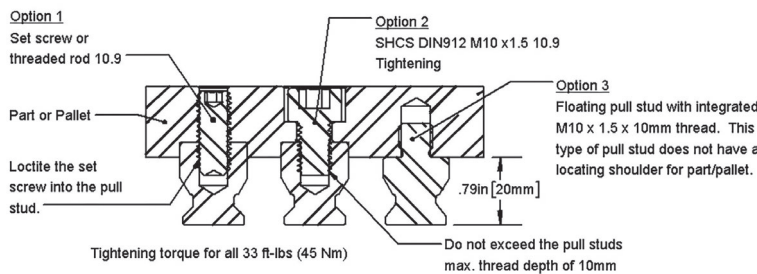
Carr Lane Roemheld Mfg. Co.

Sales — Phone (314) 647-6200 Fax (314) 647-5736
 Engineering — Phone 1-800-827-2526 Web roemheld-usa.com

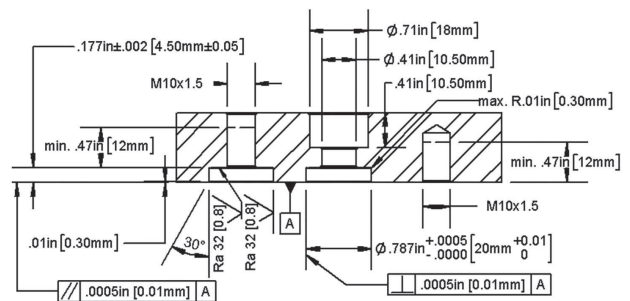
Pull Studs



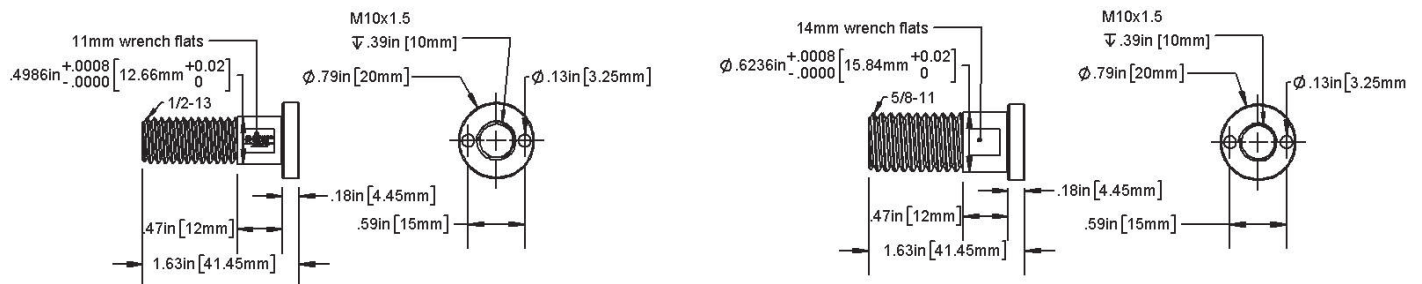
Pull Stud Mounting Options



Pull Stud Mounting Options



Locating Studs for Modular Tooling



Subject to change. For further details, including detailed dimensions and mounting instructions, visit roemheld-usa.com.



ROEMHELD
HILMA ■ STARK

Carr Lane Roemheld Mfg. Co.
 Sales — Phone (314) 647-6200 Fax (314) 647-5736
 Engineering — Phone 1-800-827-2526 Web roemheld-usa.com

DropZero ■ 5-Axis System ■ Mounting Options

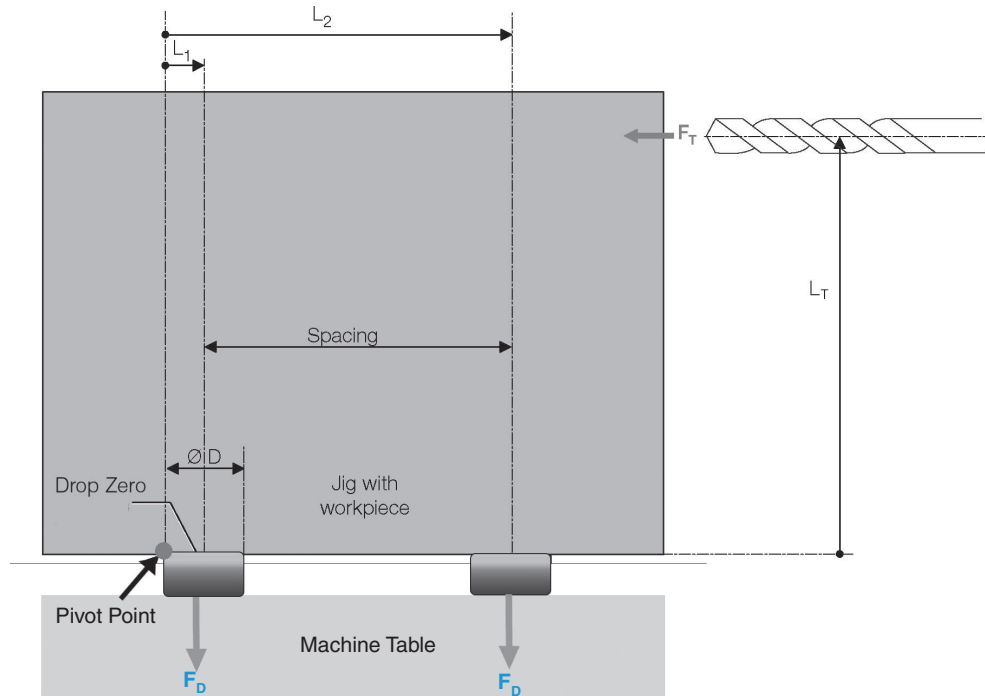
Tilting torque calculation example
Benefit from our specialist competence

Example:

DropZero clamps, 4x, with 200 x 200 mm spacing and max. feed thrust force of 7 kN with distance of 400 mm.

Question:

Due to the predominance of roughing work, the system should be checked for 2x safety factor. Is the retention force, number of DropZero clamps and the selected spacing right for this application?



Solution:

$$M_D > 2 \times M_T ?$$

$$M_T = F_V \times L_V = 7,000 \text{ N} \times 0.4 \text{ m}$$

$$M_T = \mathbf{2,800 \text{ Nm}}$$

$$M_D = 2 \times (F_D \times L_1) + 2 \times (F_D \times L_2)$$

$$M_D = 2 \times F_D \times (L_1 + L_2)$$

$$L_1 = \text{ØD} / 2 = 0.0889 / 2 = 0.04445$$

$$L_2 = \text{ØD} / 2 + \text{Spacing} = 0.04445 + 0.20 = 0.24445$$

$$L_1 + L_2 = \text{ØD} + \text{Spacing}$$

$$L_1 + L_2 = 0.0889 \text{ m} + 0.20 \text{ m} = 0.2889 \text{ m}$$

$$M_D = 2 \times F_D \times (L_1 + L_2) = 2 \times 12,000 \text{ N} \times 0.2889 \text{ m}$$

$$M_D = \mathbf{6,933.6 \text{ Nm}}$$

$$M_D / M_T > 2 ?$$

$$M_D / M_T = 6,933 \text{ Nm} / 2,800 \text{ N} \quad M_D / M_T = \mathbf{2.4 > 2} \quad \checkmark$$

With this design, a safety factor of two is provided. All dimensions to be entered in SI units (meters, Newtons).

M_T : Moment from Feed Thrust Force

M_D : Moment from Retention force

F_T : Feed Thrust Force (7,000 N)

F_D : Retention force (12,000 N)

Spacing = 200 mm = 0.20 m

Ø D: 88.9 mm = 0.0889 m

L_T : 400 mm = 0.40 m

Subject to change. For further details, including detailed dimensions and mounting instructions, visit roemheld-usa.com.



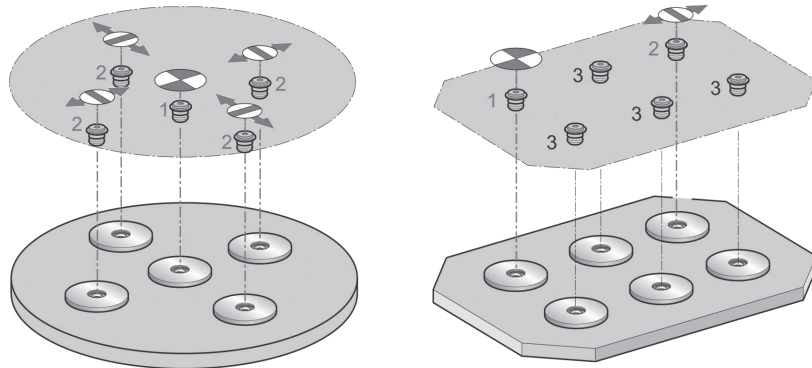
ROEMHELD
HILMA ■ STARK

Carr Lane Roemheld Mfg. Co.

Sales — Phone (314) 647-6200 Fax (314) 647-5736
Engineering — Phone 1-800-827-2526 Web roemheld-usa.com







Modular Zero-Point System ■ DropZero™ ■ Bundle Kits

Application Examples Of Pull Stud Arrangements



Standard Pull Stud Kits

Every standard Pull Stud Kit comes with at least one Zero-Point Pull Stud, one Diamond Pull Stud and one Locating Dowel. These are good for applications that require high repeatability between change overs.

Bundle Kit Part No.*	Quantities in Each Kit					
	DropZero CLR-DZ12-889-598 	Locating Dowel CLR-DZ12D-15 	Cap Screw CLR-M10- 1.50X16-SHCS 	Zero Point (Round) Pull Stud CLR-DZ12N-20Z 	Diamond Pull Stud CLR-DZ12N-20D 	Floating Pull Stud CLR-DZ12N-20F 
CLR-DZ12K-2S	2	2	2	1	1	-
CLR-DZ12K-3S	3	3	3	1	1	1
CLR-DZ12K-4S	4	4	4	1	1	2
CLR-DZ12K-5S	5	5	5	1	1	3
CLR-DZ12K-6S	6	6	6	1	1	4

* Add "F" to the end of any of the above part numbers to make all the pull studs in the kit "Floating Pull Studs" part number CLR-DZ12N-20F.





* Add "-500" to the end of any of the above part numbers to replace the CLR-DZ12D-15 Locating Dowels with CLR-DZ12T-500Z 1/2-13 Locating Studs for use with Carr Lane Mfg. modular tooling.

* Add "-625" to the end of any of the above part numbers to replace the CLR-DZ12D-15 Locating Dowels with CLR-DZ12T-625Z 5/8-11 Locating Studs for use with Carr Lane Mfg. modular tooling.



Non-Standard Pull Stud Kits

Non-standard Pull Stud Kits come with Locating Dowels and our Floating Pull Stud that does not have a locating shoulder for mating with your part or pallet. These are best used for setup applications that do not require high repeatability between change overs or when probing will be done prior to machining.

Bundle Kit Part No.*	Quantities in Each Kit			
	DropZero CLR-DZ12-889-598 	Locating Dowel CLR-DZ12D-15 	Cap Screw CLR-M10-1.50X16-SHCS 	Floating pull stud without pallet/part locating shoulder CLR-DZ12N-195 
CLR-DZ12K-2F	2	2	2	2
CLR-DZ12K-3F	3	3	3	3
CLR-DZ12K-4F	4	4	4	4
CLR-DZ12K-5F	5	5	5	5
CLR-DZ12K-6F	6	6	6	6

* Add "-500" to the end of any of the above part numbers to replace the CLR-DZ12D-15 Locating Dowels with CLR-DZ12T-500Z 1/2-13 Locating Studs for use with Carr Lane Mfg. modular tooling.

* Add "-625" to the end of any of the above part numbers to replace the CLR-DZ12D-15 Locating Dowels with CLR-DZ12T-625Z 5/8-11 Locating Studs for use with Carr Lane Mfg. modular tooling.



Subject to change. For further details, including detailed dimensions and mounting instructions, visit roemheld-usa.com.



ROEMHELD
HILMA ■ STARK

Carr Lane Roemheld Mfg. Co.
Sales — Phone (314) 647-6200 Fax (314) 647-5736
Engineering — Phone 1-800-827-2526 Web roemheld-usa.com

INNOVATIVE CLAMPING SOLUTIONS

Power Workholding For CNC Machining

The highest quality power workholding systems to help you remain competitive in today's manufacturing environment.



Swing Clamps

Work Supports



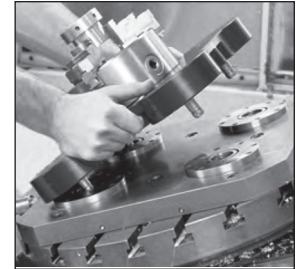
Power Sources



Compact Clamps and Cylinders



Zero Point Mounting

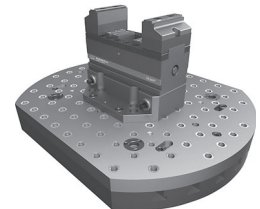
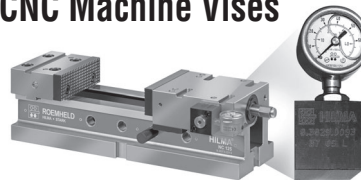


Valves, Fittings & Accessories



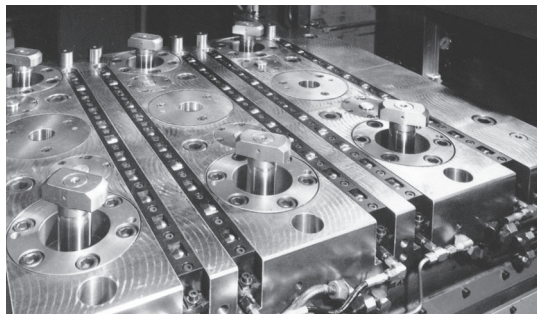
Concentric Clamping Elements

CNC Machine Vises

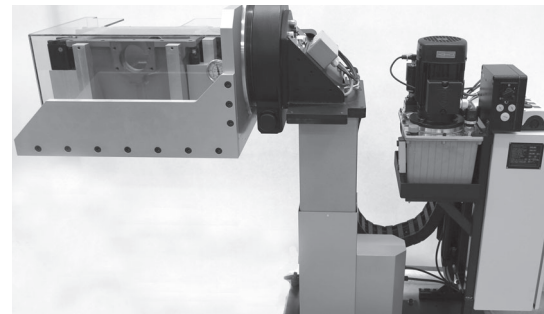


5-Axis Quick-Change Vises

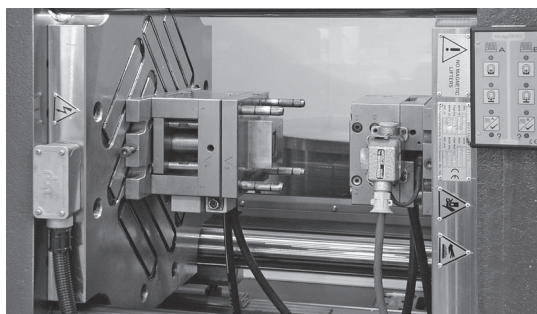
For More Information On Our Supporting Product Lines,
Visit carrlaneroemheld.com.



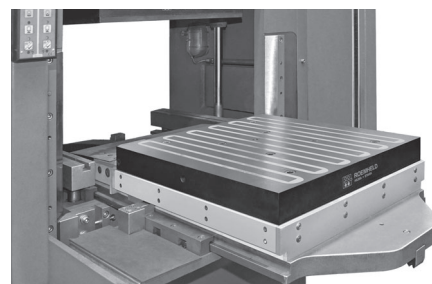
Quick Die Change



Assembly & Handling Technology



Quick Mold Change for Plastics



Quick Mold Change for Rubber



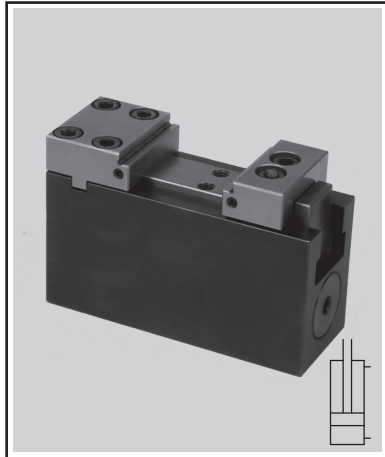
ROEMHELD
HILMA ■ STARK

Carr Lane Roemheld Mfg. Co.

Sales — Phone (314) 647-6200 Fax (314) 647-5736
Engineering — Phone 1-800-827-2526 Web roemheld-usa.com

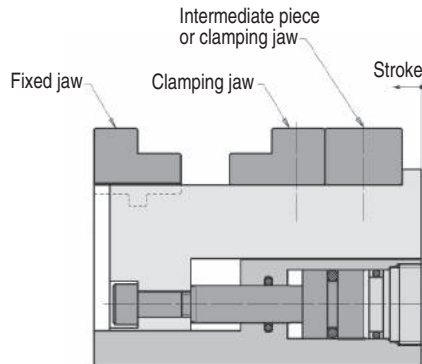
Vises ■ Fixture Clamps ■ I4.110 & I4.111

Fixture Clamps with Fixed Jaw ■ Compact vise with jaw widths 1.57" and 2.56" Double Acting ■ Max. Operating Pressure ■ 3625 psi (250 bar)

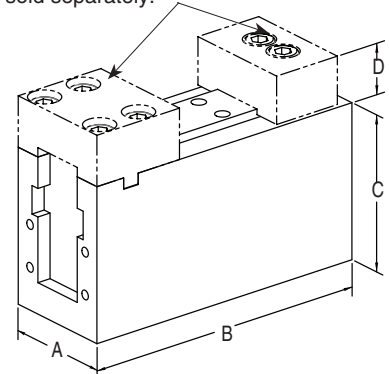


The fixed jaw fixture clamp consists of a very compact body with an integrated hydraulic cylinder that actuates the movable jaw. All threads and ports are at the bottom which allows for a very tight and space savings arrangement. If fastening from the bottom is not possible an adaptor plate for manifold

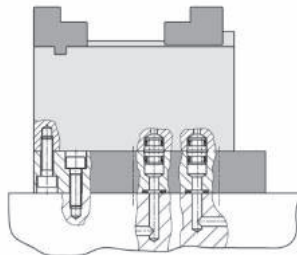
mounting or tube connection is available. Accessory blank jaws are also available that can be milled to match the workpiece contour. The fixed jaw can be equipped with a pneumatic seat control which is well suited for automation applications.



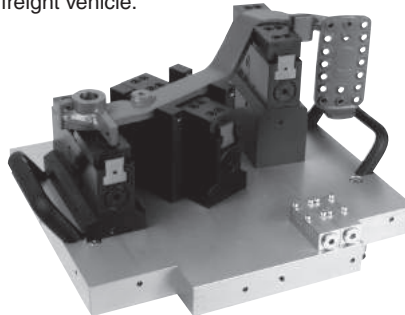
Blank jaws and cap screws sold separately.



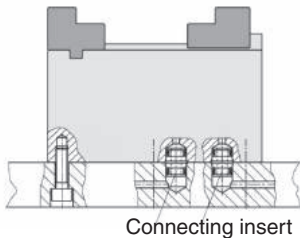
Fixing from above
with accessory adaptor plate
Drilled channels



Application example
Clamping fixture for a pedal of a freight vehicle.

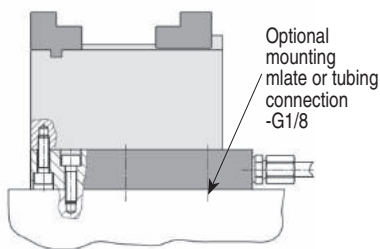


Fixing from below
Drilled channels



Connecting insert

Fitting connection



Optional mounting plate or tubing connection -G1/8

Jaw Width (in.)	1.57		2.56	
Stroke (in.)	0.20	1.18	0.20	1.77
Clamp Force (lbs)	3625 psi	2135	2135	3370
	2000 psi	1180	1180	1860
	1000 psi	600	600	930
A (in.)	1.57	1.57	2.56	2.56
B (in.)	4.13	6.10	6.30	9.45
C (in.)	2.17	2.17	2.56	2.56
D (in.)	0.71	0.71	1.06	1.06
Weight (lbs.)	3.66	4.94	11.13	15.43
Part No.	CLR-4413-001	CLR-4413-031	CLR-4413-101	CLR-4413-131

Accessories

Part No., Adapter Mounting Plate	CLR-0441-300	CLR-0441-303	CLR-0441-310	CLR-0441-313
Part No., Blank Clamping Jaw	CLR-3548-070	CLR-3548-070	CLR-3548-080	CLR-3548-080
Part No., Blank Fixed Jaw	CLR-3548-071	CLR-3548-071	CLR-3548-081	CLR-3548-081
Part No., Jaw Screws	CLR-3301-107	CLR-3301-107	CLR-3300-700	CLR-3300-700

Subject to change. For further details, including detailed dimensions and mounting instructions, visit roemheld-usa.com.



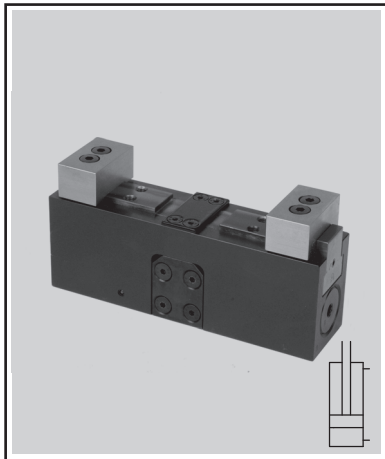
ROEMHELD
HILMA ■ STARK

Carr Lane Roemheld Mfg. Co.

Sales — Phone (314) 647-6200 Fax (314) 647-5736
Engineering — Phone 1-800-827-2526 Web roemheld-usa.com

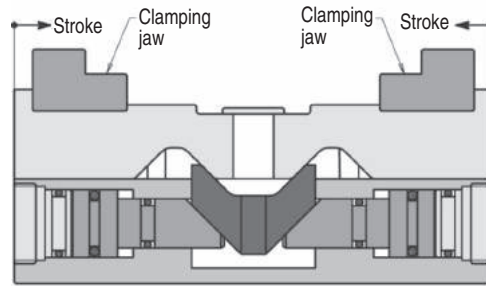
Vises ■ Fixture Clamps ■ 14.120

Fixture Clamps, Concentric ■ Compact vise with jaw widths 1.57" and 2.56" Double Acting ■ Max. Operating Pressure ■ 3625 psi (250 bar)

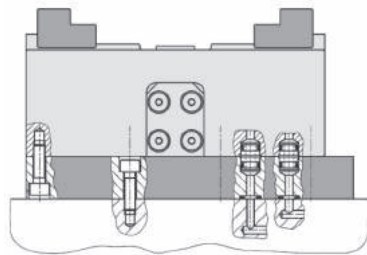


The concentric fixture clamp consists of a very compact body with two integrated hydraulic cylinders that actuate the movable jaws. The piston forces are transferred to a "V" linkage (see cut away below). The "V" linkage then pulls the jaws together in a self-centering fashion. All threads and ports are at the bottom

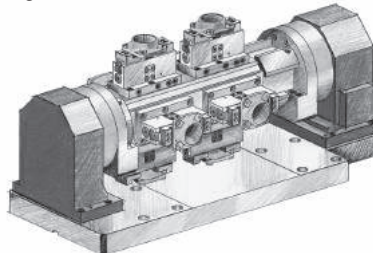
which allows for a very tight and space savings arrangement. If fastening from the bottom is not possible an adaptor plate for manifold mounting or tube connection is available. Accessory blank jaws are also available that can be milled to match the workpiece contour.



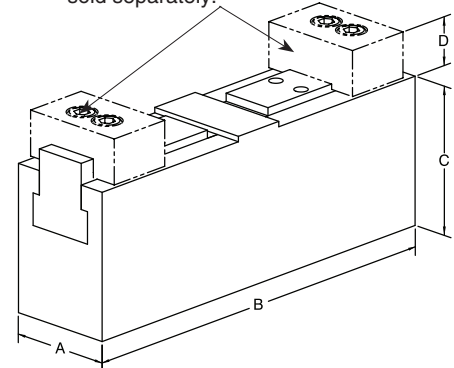
Fixing from above
with accessory adaptor plate
Drilled channels



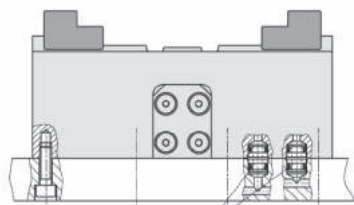
Application example
Clamping fixture for a pedal of a freight vehicle.



Blank jaws and cap screws sold separately.

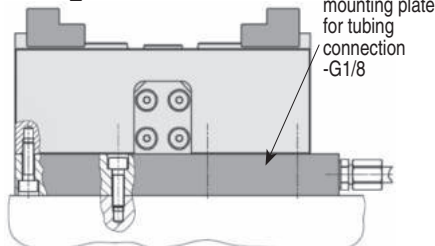


Fixing from below
Drilled channels



Connecting insert

Fitting connection



Optional mounting plate for tubing connection -G1/8

Jaw Width (in.)		1.57	2.56
Stroke per Jaw (in.)		0.20	0.31
Repeatability +/-		0.0008	0.0008
Clamp Force per Jaw (lbs)	3625 psi	1460	2025
	2000 psi	805	1115
	1000 psi	405	560
A (in.)		1.57	2.56
B (in.)		6.10	7.87
C (in.)		2.17	2.56
D (in.)		0.71	1.10
Weight (lbs.)		5.29	13.23
Part No.		CLR-4413-051	CLR-4413-151

Accessories

Part No., Adapter Mounting Plate	CLR-0441-305	CLR-0441-315
Part No., Blank Clamping Jaw	CLR-3548-070	CLR-3548-080
Part No., Jaw Screws	CLR-3301-107	CLR-3300-625

Subject to change. For further details, including detailed dimensions and mounting instructions, visit roemheld-usa.com.

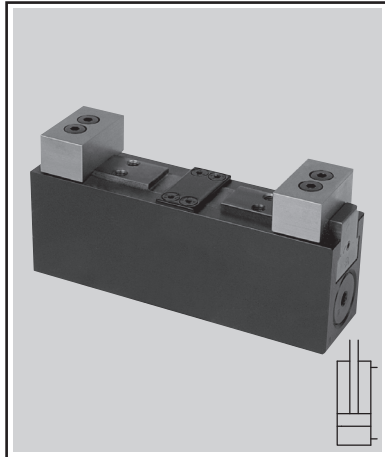


Carr Lane Roemheld Mfg. Co.

Sales — Phone (314) 647-6200 Fax (314) 647-5736
Engineering — Phone 1-800-827-2526 Web roemheld-usa.com

Vises ■ Fixture Clamps ■ 14.130

Fixture Clamps, Position Flexible ■ Compact vise with jaw width 1.57" Double Acting ■ Max. Operating Pressure ■ 3625 psi (250 bar)

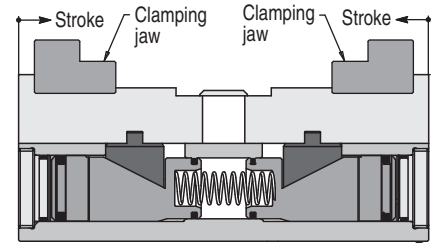
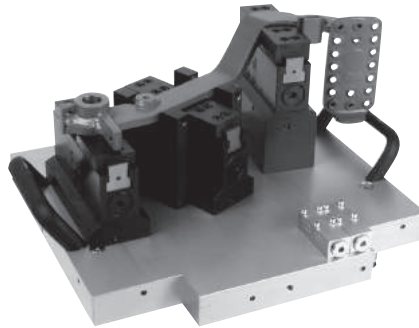


The position flexible fixture clamp consists of a very compact body with integrated hydraulic cylinders that actuate the movable jaws. The piston forces are transmitted via two channels to the clamping slides. The design allows the clamping slides to move independently of each. A minimal contact force is applied to the part until both jaws are in contact with the workpiece. At that point the pressure builds

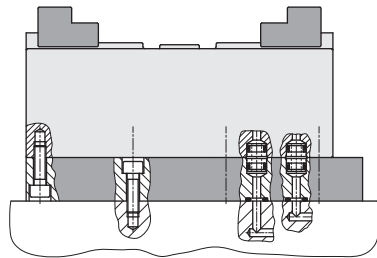
along with the clamping force. All threads and ports are at the bottom which allows for a very tight and space savings arrangement. If fastening from the bottom is not possible an adaptor plate for manifold mounting or tube connection is available. Accessory blank jaws are also available that can be milled to match the workpiece contour.

Application example

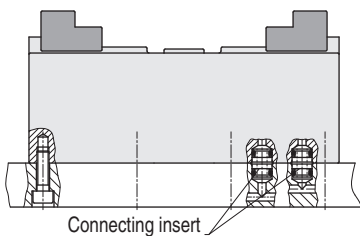
Clamping fixture for a pedal of a freight vehicle.



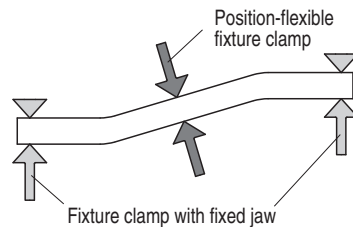
Fixing from above with accessory adaptor plate Drilled channels



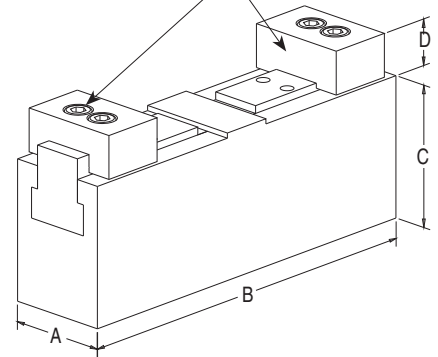
Fixing from below Drilled channels



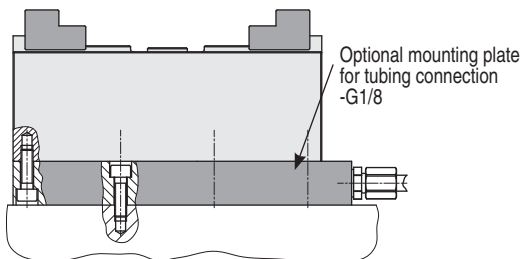
Clamping principle



Blank jaws and cap screws sold separately.



Pipe thread



Jaw Width (in.)	1.57	
Stroke per Jaw (in.)	0.31	
Clamp Force per Jaw (lbs)	3625 psi	1800
	2000 psi	990
	1000 psi	495
A (in.)	1.57	
B (in.)	6.10	
C (in.)	2.17	
D (in.)	0.71	
Weight (lbs.)	5.51	
Part No.	CLR-4413-080	

Accessories

Part No., Adapter Mounting Plate	CLR-0441-305
Part No., Blank Clamping Jaw	CLR-3548-070
Part No., Jaw Screws	CLR-3301-107

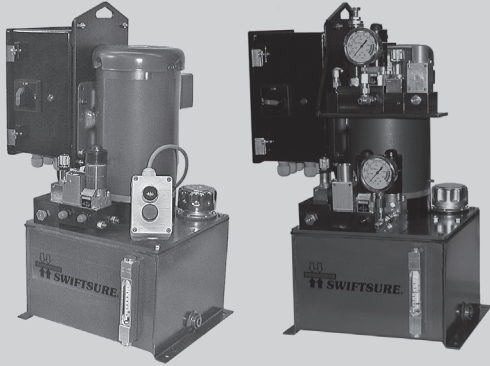
Subject to change. For further details, including detailed dimensions and mounting instructions, visit roemheld-usa.com.



Carr Lane Roemheld Mfg. Co.

Sales — Phone (314) 647-6200 Fax (314) 647-5736
Engineering — Phone 1-800-827-2526 Web roemheld-usa.com

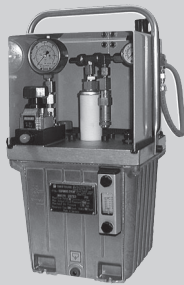
Power Sources



Electric Power Units
pages 682-685

Electric Power Units

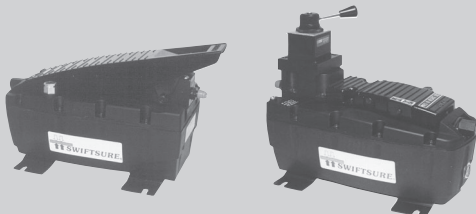
Electric Power Units are the best power source for most uses. Complete, compact, quiet, and fully automatic. Include pump, reservoir, switches, valves, gauge, and numerous safety devices. Extremely long life. Enough fluid capacity for virtually any fixture. Up to 7250 psi output pressures. 120, 220, or 440 volt.



Air Power Units
pages 686-687

Air Power Units

Economical power source, driven by shop air pressure, includes pump, reservoir, valves, gauges, air filter, muffler, and air extractor/dryer. Very quiet. Ideal for hazardous locations. Enough fluid capacity for virtually any fixture. Up to 7250 psi output pressure.

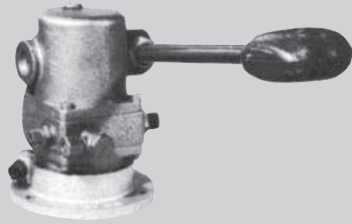


Compact Air Power Units
page 688

Compact Air Power Units are ideal for smaller hydraulic clamping and assembly fixtures with single or double-acting hydraulic elements. Ordinary shop air is all that is required to drive these units.



Power Sources



Single Stage Pump
pages 689

Hand Pumps

Manual power source for moderate-size factors. Compact and portable. Ideal for sensitive test fixtures. Choice of hand or foot operation.



Screw Pumps
pages 690

Screw Pumps

Small enough to mount directly on fixture. Operate manually or with a power torque wrench. Ideal for rotary index tables and palletized fixtures where a feed line is impractical.



Compact Hydraulic Intensifier
pages 691-692

Hydraulic Intensifiers

Hydraulic Intensifiers convert hydraulic pressure on the input to a higher pressure on the output. This compact cylinder style intensifier enables the use of the comparatively low pressure of machine tool hydraulics to pressurize hydraulic clamping fixtures with a correspondingly increased input pressure.

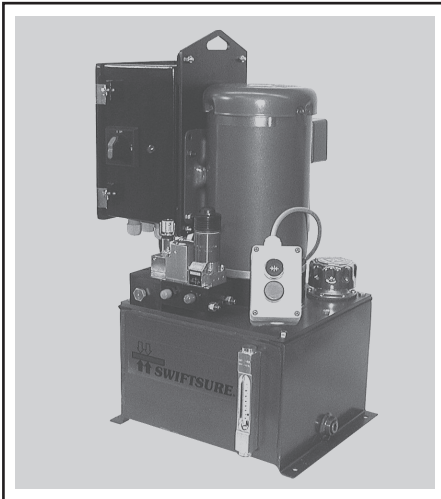


ROEMHELD
HILMA ■ STARK

Carr Lane Roemheld Mfg. Co.
Sales — Phone (314) 647-6200 Fax (314) 647-5736
Engineering — Phone 1-800-827-2526 Web roemheld-usa.com

Electric Power Units

7250/5000 psi max
Single and double acting

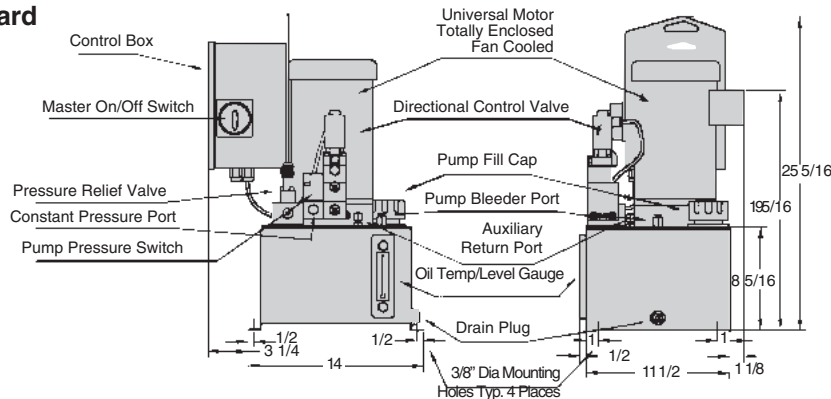


Standard

- Complete power unit with electrical and hydraulic controls
- Totally enclosed fan cooled single and three phase universal motors
- Thermal overload relay with automatic reset when normal conditions return
- Remote clamp-unclamp push button switch(s)
- Pressure adjustable from 1500 to maximum
- Quiet long life radial piston pump
- Filler breather with inlet screen
- Leak free fittings and poppet valves

SETUP AND OPERATION: Connect to fused electrical supply, fill with clean, approved hydraulic fluid and connect to fixture. Mount push button clamping switch near the operator (two furnished with shuttle machine units). Push one button to clamp and unclamp.

OPERATING PRINCIPLES: The heart of the unit is a precision, long-life radial-piston pump controlled upon pressure demand by the integral pressure switch. This switch is adjustable, to give you precise and repeatable clamping forces. Automatic pressure control is assured, because the pump restarts if pressure drops. Clamping pressure is assured even with an electrical power failure since the solenoid valves are mechanically held in the clamped position - and only need power to unclamp. The poppet design of these valves means positive, leakage-free sealing.



Adjustable Operating Pressure	1160-7250		725-5075		725-5075	
Power supply	460 volts 3 Phase 60Hz	230 volts 3 Phase 60Hz	230 volts 1 Phase 60Hz	115 volts 1 Phase 60Hz	460 volts 3 Phase 60Hz	230 volts 3 Phase 60Hz
Flow rate (cu.in/min)	66	66	66	66	106	106
Usable fluid capacity (cu.in)	400	400	400	400	400	400
Reservoir capacity (cu.in.)	690	690	690	690	690	690
Motor horsepower	1.5	1.5	1.0	1.0	1.5	1.5
Motor amperage	2.1	4.2	6.4	12.8	2.1	4.2
Noise level @ 3 ft.(dBA)	75	75	75	75	75	75
Max. uninterrupted running time (sec.)	15-120	15-120	15-120	15-120	15-120	15-120
Max. % of cycle pump should operate	25-40%	25-40%	25-40%	25-40%	25-40%	25-40%
Weight (lbs.)	110	110	110	110	110	110
Part No. Basic Pump (No Controls or Valves)	CLR-9301-EP	CLR-8301-EP	CLR-93011-EP	CLR-83011-EP	CLR-9302-EP	CLR-8302-EP
Part No. Single Acting System	CLR-931-EP	CLR-831-EP	CLR-9321-EP	CLR-8321-EP	CLR-932-EP	CLR-832-EP
Part No. Double Acting System	CLR-933-EP	CLR-833-EP	CLR-9341-EP	CLR-8341-EP	CLR-934-EP	CLR-834-EP
2 Independent S/A systems (shuttle machining)	CLR-935-EP	CLR-835-EP	CLR-9361-EP	CLR-8361-EP	CLR-936-EP	CLR-836-EP
2 Independent D/A systems (shuttle machining)	CLR-937-EP	CLR-837-EP	CLR-9381-EP	CLR-8381-EP	CLR-938-EP	CLR-838-EP
Manual Decoupling System Double Acting	CLR-939-EP	CLR-839-EP	CLR-9401-EP	CLR-8401-EP	CLR-940-EP	CLR-840-EP
Auto Decoupling System S/A Customer control	CLR-941-EP	CLR-841-EP	CLR-9421-EP	CLR-8421-EP	CLR-942-EP	CLR-842-EP
Auto Decoupling System D/A Customer control	CLR-943-EP	CLR-843-EP	CLR-9441-EP	CLR-8441-EP	CLR-944-EP	CLR-844-EP

All Pump Systems contain Controls and Valve packages ready to go. No add on packages required. Fluid Recommendations are in F&A section. SPECIALS AVAILABLE, CONSULT ENGINEERING 1-800-827-2526

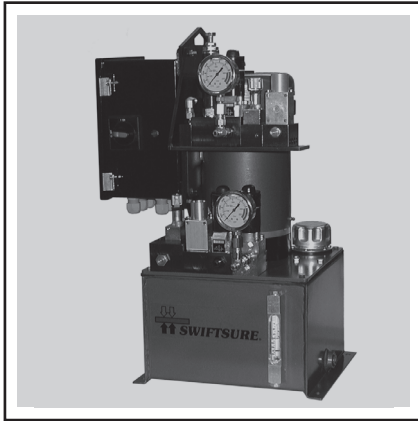


Carr Lane Roemheld Mfg. Co.

Sales — Phone (314) 647-6200 Fax (314) 647-5736
Engineering — Phone 1-800-827-2526 Web roemheld-usa.com

Electric Power Units

7250/5000 psi max
Multi-Pressure in single and double acting

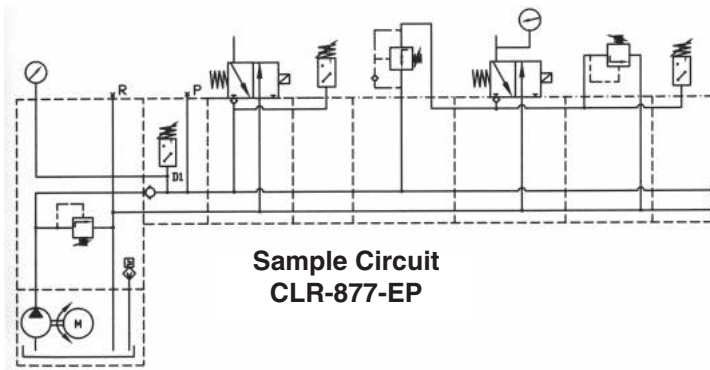


Multi-Pressure Pumps

- Complete power unit with electrical and hydraulic controls
- Enclosed fan-cooled single or three phase motor with thermal protection
- Combination temperature/ level switch for pump protection
- Remote clamp-unclamp push button switch(es)
- Pressure adjustable from minimum to maximum as shown in pump chart
- Quiet long life radial piston pump
- Filler breather with inlet screen
- Leak free fittings and poppet valves
- Additional pressure gauges provided for reduced pressure circuits

SET-UP SUMMARY: Connect to fused electrical supply, fill with oil, and connect to fixture. Prime pump and adjust to desired pressure. Mount push button switch(es) near the operator. Push one button to clamp and unclamp. For complete set-up instructions, see operating manual.

OPERATING PRINCIPLES: The heart of the unit is a precision, long-life radial-piston pump controlled upon pressure demand by the integral pressure switch. This switch is adjustable, to give you precise and repeatable clamping forces. The secondary pressure is controlled by a poppet style pressure reducing valve. This secondary low pressure circuit is adjustable between 450 and 5500 psi. Automatic pressure control is assured, because the pump restarts if pressure drops. Clamping pressure is assured even with an electrical power failure since the solenoid valves are mechanically held in the clamped position - and only need power to unclamp. The poppet design of these valves means positive, leakage-free sealing.



**Sample Circuit
CLR-877-EP**

Adjustable Operating Pressure	1160-7250 psi		725-5075 psi		725-5075 psi	
	460 volts 3 Phase 60Hz	230 volts 3 Phase 60Hz	230 volts 1 Phase 60Hz	115 volts 1 Phase 60Hz	460 volts 3 Phase 60Hz	230 volts 3 Phase 60Hz
Power supply						
Flow rate (cu.in./min.)	66	66	66	66	106	106
Usable fluid capacity (cu.in.)	400	400	400	400	400	400
Reservoir capacity (cu.in.)	690	690	690	690	690	690
Motor horsepower	1.5	1.5	1.0	1.0	1.5	1.5
Motor amperage	2.1	4.2	6.4	12.8	2.1	4.2
Nose level @ 3ft.(dBA)	75	75	75	75	75	75
Max. uninterrupted running time (sec.)	15-120	15-120	15-120	15-120	15-120	15-120
Max. % of cycle pump should operate	25-40%	25-40%	25-40%	25-40%	25-40%	25-40%
Two S/A Circuits, One Reduced W/One Pendent	CLR-951-EP	CLR-851-EP	CLR-9521-EP	CLR-8521-EP	CLR-952-EP	CLR-852-EP
Two D/A Circuits, One Reduced W/One Pendent	CLR-953-EP	CLR-853-EP	CLR-9541-EP	CLR-8541-EP	CLR-954-EP	CLR-854-EP
Two S/A Circuits, One Reduced W/Two Pendants	CLR-955-EP	CLR-855-EP	CLR-9561-EP	CLR-8561-EP	CLR-956-EP	CLR-856-EP
Two D/A Circuits, One Reduced W/Two Pendants	CLR-957-EP	CLR-857-EP	CLR-9581-EP	CLR-8581-EP	CLR-958-EP	CLR-858-EP
Two S/A Circuits, One Reduced W/One Pendent & Two Pressure Switches	CLR-959-EP	CLR-859-EP	CLR-9601-EP	CLR-8601-EP	CLR-960-EP	CLR-860-EP
Two D/A Circuits, One Reduced W/One Pendent & Two Pressure Switches	CLR-971-EP	CLR-871-EP	CLR-9721-EP	CLR-8721-EP	CLR-972-EP	CLR-872-EP
Two S/A Circuits, One Reduced W/Two Pendants & Two Pressure Switches	CLR-973-EP	CLR-873-EP	CLR-9741-EP	CLR-8741-EP	CLR-974-EP	CLR-874-EP
Two D/A Circuits, One Reduced W/Two Pendants & Two Pressure Switches	CLR-975-EP	CLR-875-EP	CLR-9761-EP	CLR-8761-EP	CLR-976-EP	CLR-876-EP
Two S/A Circuits, One Reduced W/One Pendent, Two Pressure Switches & One Pressure Relief Valve	CLR-977-EP	CLR-877-EP	CLR-9781-EP	CLR-8781-EP	CLR-978-EP	CLR-878-EP
Two D/A Circuits, One Reduced W/One Pendent, Two Pressure Switches & One Pressure Relief Valve	CLR-979-EP	CLR-879-EP	CLR-9801-EP	CLR-8801-EP	CLR-980-EP	CLR-880-EP
Two S/A Circuits, One Reduced W/Two Pendants, Two Pressure Switches & One Pressure Relief Valve	CLR-981-EP	CLR-881-EP	CLR-9821-EP	CLR-8821-EP	CLR-982-EP	CLR-882-EP
Two D/A Circuits, One Reduced W/Two Pendants, Two Pressure Switches & One Pressure Relief Valve	CLR-983-EP	CLR-883-EP	CLR-9841-EP	CLR-8841-EP	CLR-984-EP	CLR-884-EP



ROEMHELD
HILMA ■ STARK

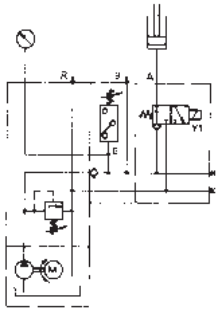
Carr Lane Roemheld Mfg. Co.
Sales — Phone (314) 647-6200 Fax (314) 647-5736
Engineering — Phone 1-800-827-2526 Web roemheld-usa.com

Electric Power Units

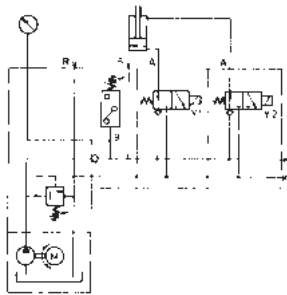
7250/5000 psi max
Single and double acting

CONTROL OPTIONS: Electric Power Units are offered with three standard hydraulic/electrical-control options: (1) Single acting, (2) Double acting, (3) Single acting for two independent fixtures.

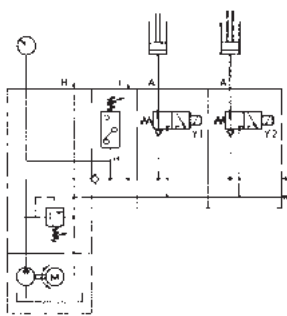
The following hydraulic-circuit diagram shows a single-acting unit.



The diagram below shows a double-acting unit. Double-acting units can be used as single acting units simply by capping the return pressure connection, with a CLR-501-F cap fitting.



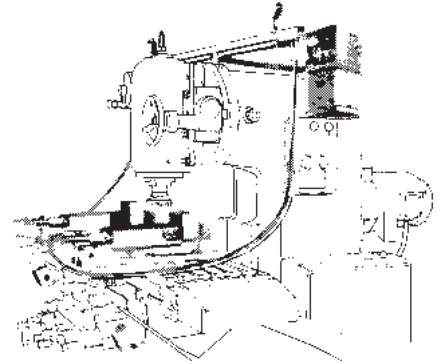
The third diagram shows a single-acting unit for two independent fixtures (shuttle machining). These units have separate clamping switches and valves for each fixture.



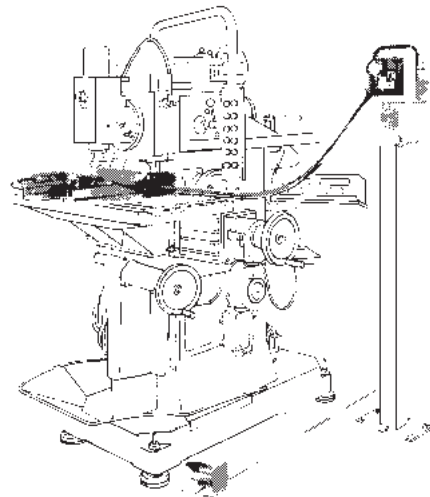
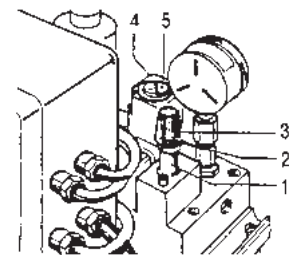
SAFETY FEATURES: Fail-safe operation in case of electrical-power failure since the solenoid-operated clamping valves are de-energized in "clamped" position. These valves are poppet type, so they provide tight zero leakage sealing. Units are also equipped with fluid-level and fluid-temperature sensors to protect power units from abuse. If fluid level drops below a minimum level or fluid temperature exceeds 140° F, the unit shuts off and lights an LED. When fluid is replenished or temperature drops, the unit resets itself automatically.

MOUNTING: Mount unit upright, preferably above fixture level to keep unit clean. We offer an attractive, economical power-unit stand (below) that bolts to the floor. For mounting directly on machine-tool tables, we offer a vibration-proof mount (also below).

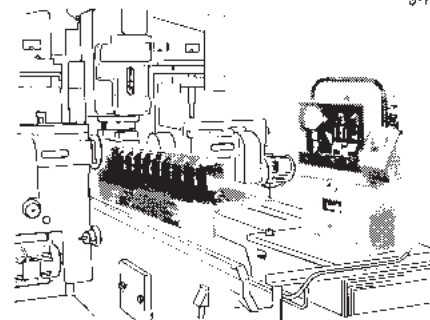
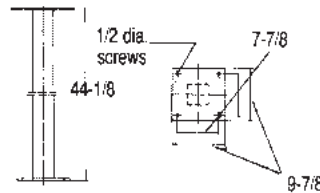
Units can also be mounted on the machine tool using an angle bracket. The photo below shows an overhead traverse bar for convenient hose arrangement. Push-button switches are installed within the operator's reach.



PRESSURE SETTING: Set system pressure by adjusting the setting screw (5) on the unit's pressure switch (4) in combination with the knurled knob (3) on the unit's pressure-relief valve (1). Basically, the pressure switch establishes the minimum system pressure (10% drop below setting) and the pressure-relief valve establishes the maximum in case of over pressurization.



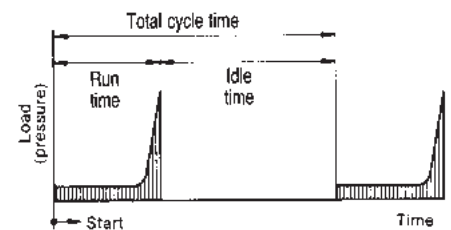
Power Unit Stand
CLR-3532-168-PUA



Vibration-proof
mount
CLR-3141-308-PUA



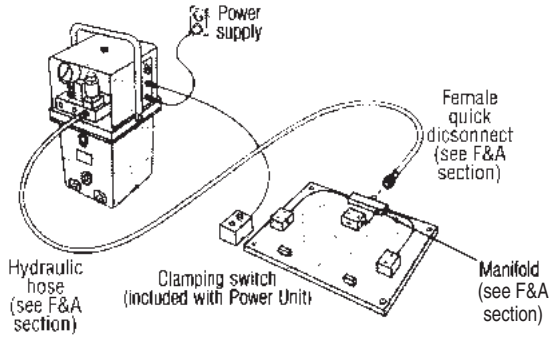
DUTY CYCLE: Electric Power Units are designed specifically and purely for workholding, with intermittent clamping and unclamping between machining cycles (not continuous running). For most workholding applications, actual running time is a small percentage of total cycle time. The graph below shows typical pump-pressure buildup during a machining cycle.



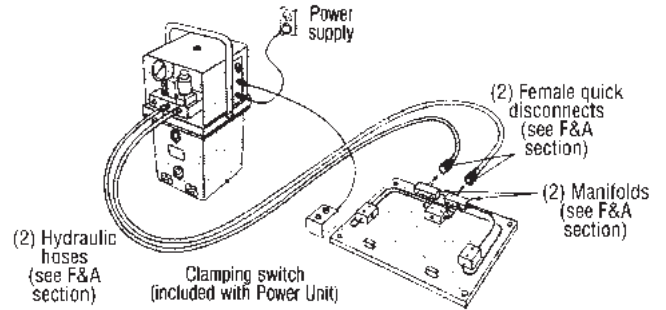
Run time must be less than 40% of total cycle time with maximum fluid level, 25% with minimum fluid level (7250-psi units). Run time must also be less than 120 seconds with maximum fluid level, 15 seconds with minimum fluid level (7250-psi units). Otherwise the fluid will overheat and the unit will shut off automatically.

Electric Power Units

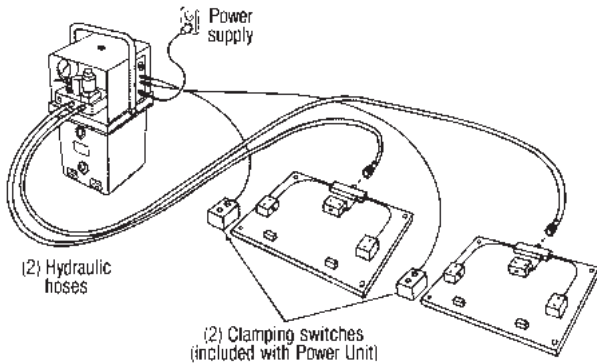
Connection Examples



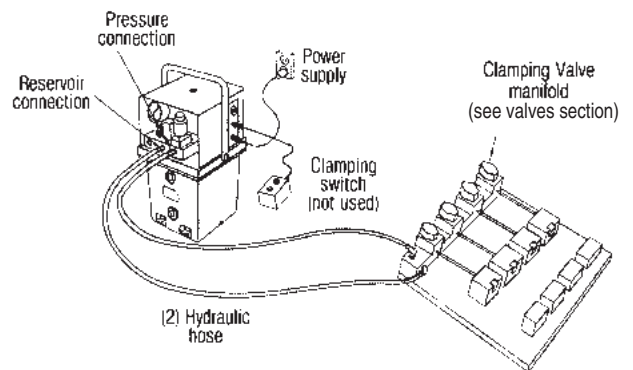
**Single Fixture
Single Acting**
(use any Electric Power Unit)



**Single Fixture
Double Acting**
(use CLR-933-EP or CLR-833-EP)



**Two Fixtures
Single Acting**
(use CLR-935-EP or CLR-835-EP)



**Multiple Parts Clamped Independently
Single Acting or Double Acting**
(use any Electric Power Unit)



ROEMHELD
HILMA ■ STARK

Carr Lane Roemheld Mfg. Co.

Sales — Phone (314) 647-6200 Fax (314) 647-5736
Engineering — Phone 1-800-827-2526 Web roemheld-usa.com

Air Power Units

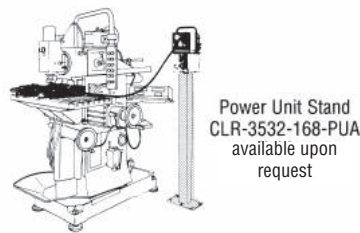
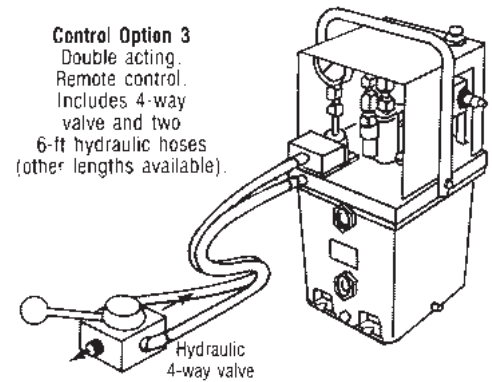
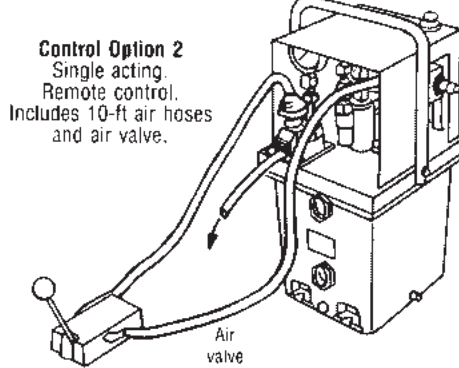
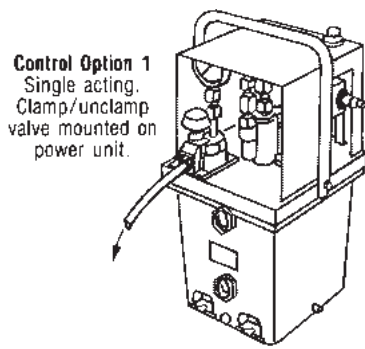
7250 psi max
Single and double acting



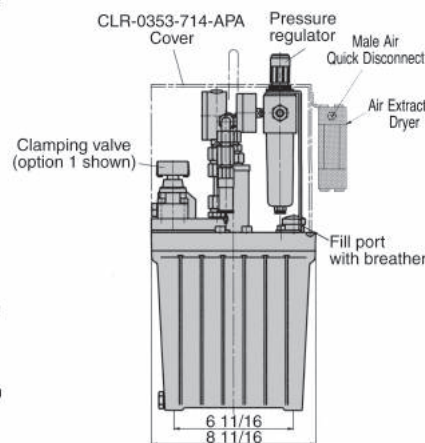
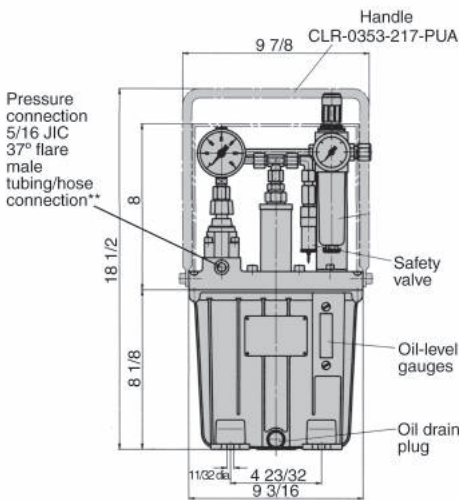
- Economical and self-contained. . . just fill with fluid
 - Up to 7250 psi from shop air pressure (only 70-psi air pressure required)
 - Tandem, reciprocating pump automatically restarts to maintain system pressure
 - Holds pressure even if air supply fails
 - Safe in hazardous locations
 - Complete turnkey unit includes clamping valve, filter/regulator/lubricator, air and hydraulic pressure gauges, muffler, and air extractor/dryer
- ** Do not use NPT fittings

OPERATION: Unit is ready to run after you fill the reservoir with fluid (order separately, F&A section) and connect it to an air supply. Adjust the input air pressure, using the unit's air regulator, to adjust output fluid pressure (2200 to 7250-psi range). Only 70-psi air pressure is required to provide 7250-psi fluid pressure.

FLOW CONTROL: When using these power units in small circuits containing a Swing Clamp, Extending Clamp, or fluid-advanced Work Support, a simple flow control valve may be necessary. If clamps do not cycle properly, install flow control valve anywhere along the fluid lines to control flow to any or all workholding components.



Input Air Pressure (psi)	Output Fluid Pressure (psi)											
	Free flow		1500		3000		4500		6000		7250	
	Flow Rate cu. in./min.	Input Air Vol. CFM	Flow Rate cu. in./min.	Input Air Vol. CFM	Flow Rate cu. in./min.	Input Air Vol. CFM	Flow Rate cu. in./min.	Input Air Vol. CFM	Flow Rate cu. in./min.	Input Air Vol. CFM	Flow Rate cu. in./min.	Input Air Vol. CFM
30	74	23	46	14	8	4	—	—	—	—	—	—
40	82	29	62	22	35	13	—	—	—	—	—	—
50	88	37	69	30	50	20	24	10	—	—	—	—
60	91	43	75	36	60	28	38	18	8	5	—	—
70 and higher	94	48	80	42	68	35	50	27	27	15	5	3



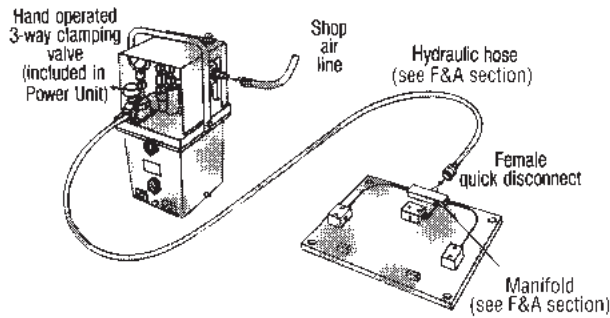
Fluid Recommendations see F&A section.

Operating pressure range	2350-7250 psi
Intensification Ratio	108:1
Flow Rate (cu. in./min.)	see table
Min. input air pressure (psi)	14.5
Usable fluid capacity (cu. in.)	150
Reservoir capacity (cu. in.)	260
Noise level at 3 ft. (dBA)	76
Weight (lbs)	50
Part No. Control option 1	CLR-100-AP
Part No. Control option 2	CLR-102-AP
Part No. Control option 3	CLR-105-AP
Part No. Pump without valves	CLR-106-AP

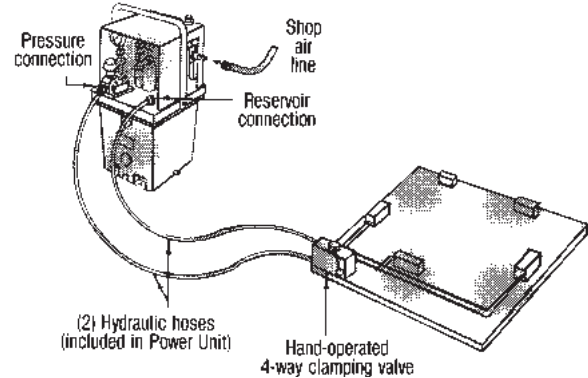


Carr Lane Roemheld Mfg. Co.
Sales — Phone (314) 647-6200 Fax (314) 647-5736
Engineering — Phone 1-800-827-2526 Web roemheld-usa.com

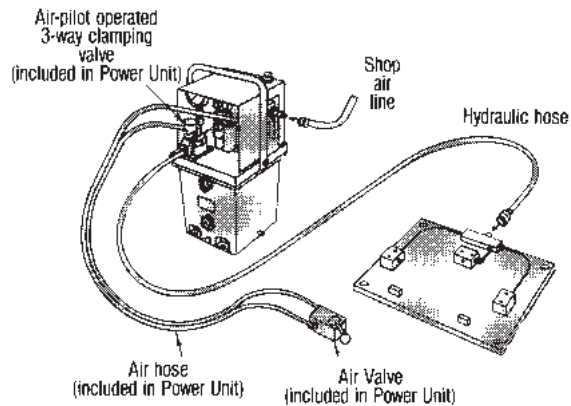
Connection Examples



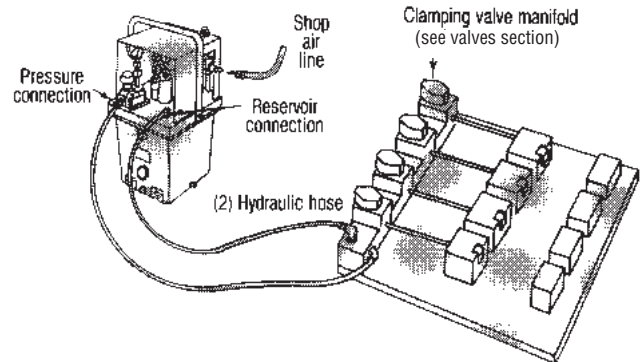
Single Fixture
Valve mounted on unit
Single Acting
CLR-100-AP



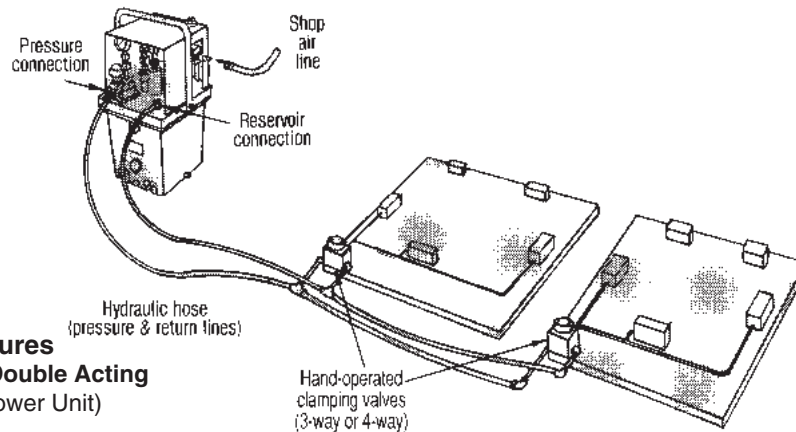
Single Fixture
Double Acting
CLR-103-AP



Single Fixture
Remote Valve
Single Acting
CLR-102-AP



Multiple Parts Clamped Independently
Single Acting or Double Acting
(Use any Air Power Unit)



Two Fixtures
Single Acting or Double Acting
(use any Air Power Unit)



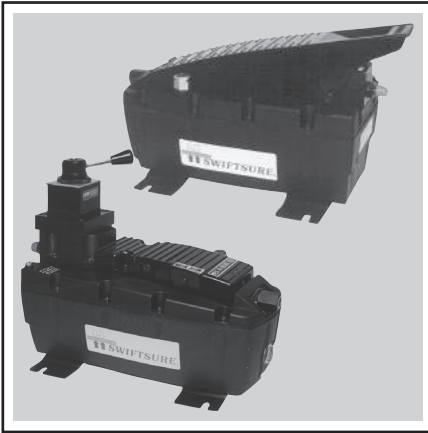
ROEMHELD
HILMA ■ STARK

Carr Lane Roemheld Mfg. Co.

Sales — Phone (314) 647-6200 Fax (314) 647-5736
Engineering — Phone 1-800-827-2526 Web roemheld-usa.com

Air Power Units

7250 psi max
Single/double acting

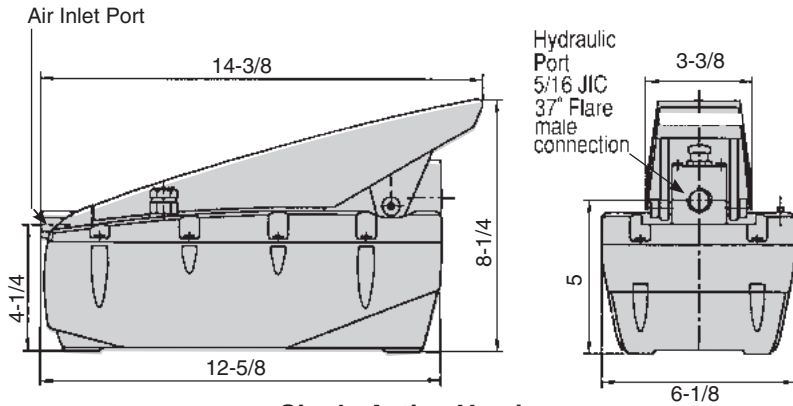


- The hydro-pneumatic pump unit can be operated with oil-free air.
- Due to suitable sound insulation only minimum working noises are obtained.
- The low starting pressure (40 psi) guarantees a quick start of the pump and short cycle time.
- The hydro-pneumatic pump unit is delivered ready for connection

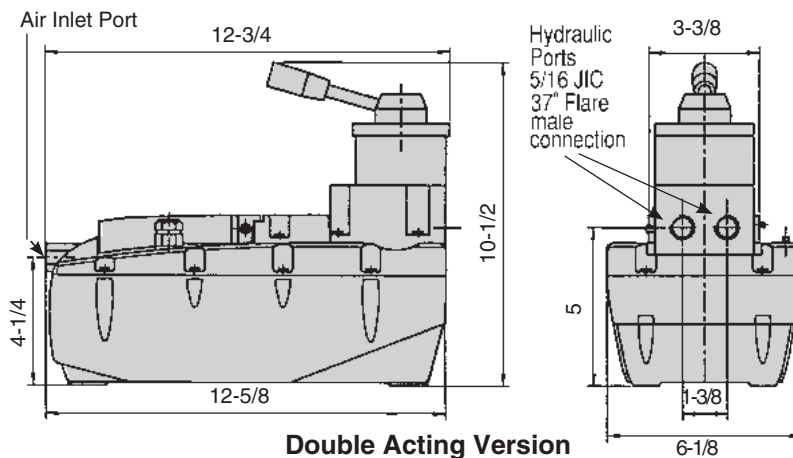
APPLICATION: The hydro-pneumatic pump unit is particularly suitable for smaller hydraulic clamping and assembly fixtures with single or double-acting hydraulic elements. As the power supplied is compressed air, it can be used without restriction in hazardous surroundings.

OPERATION: Single acting version The single-acting hydro-pneumatic pump unit is manually operated. By operating the pedal the fixture will be clamped or unclamped. The pump delivers oil as long as necessary to achieve the desired hydraulic operating pressure. The air pressure is adjusted by a pneumatic service unit and maintained by an integrated check valve.

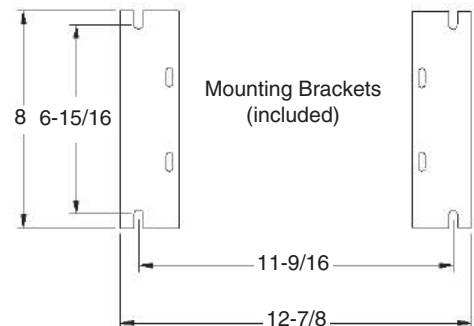
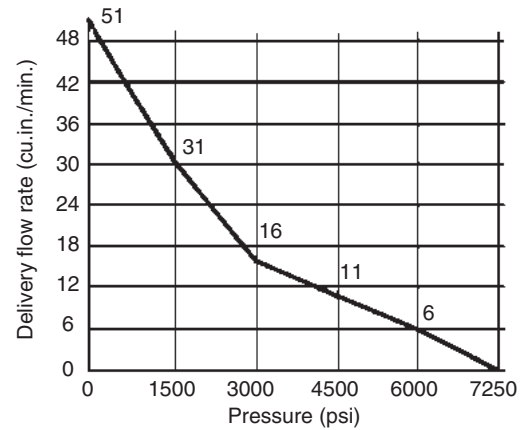
Double acting version By means of a locking device the pneumatic directional control valve (at the pneumatic side) is permanently in the opened switching position. By means of the mounted hand-operated hydraulic 4/3 directional control valve double-acting cylinders can be controlled. In the case of a pressure loss, the pneumatic pump operates automatically until the desired hydraulic pressure is realized.



Single Acting Version



Double Acting Version



Operating Pressure Range	4000-7250 psi
Intensification Ratio	100:1
Flow Rate (cu.in./min.)	see graph
Min. input air pressure (psi)	40
Usable fluid capacity (cu.in.) Horiz/Vert	125/90
Reservoir capacity (cu.in.) Horiz/Vert	150/135
Connecting Threads	
• Oil	G 1/4 BSPP
• Air	1/4 NPT
Weight (lbs)	14
Part No., single acting	CLR-200-AP
Part No., double acting	CLR-203-AP
Part No., pump only - no valves	CLR-201-AP

Fluid Recommendations see F&A section.



Carr Lane Roemheld Mfg. Co.

Sales — Phone (314) 647-6200 Fax (314) 647-5736
Engineering — Phone 1-800-827-2526 Web roemheld-usa.com

Hand Pumps

7250/3000 psi max
Single acting



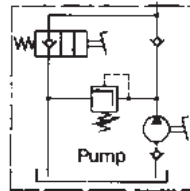
Single Stage

- Very compact
 - Pump and release with the same lever
 - Easily adjustable pressure setting
 - Choice of hand or foot operation
- ** Do not use NPT fittings

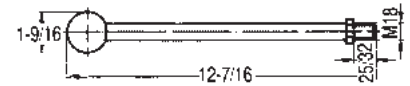
CLAMPING: Move pump lever downward to pump fluid, through a 40-degree stroke. Lever returns upward by spring force. Repeat until you reach the set pressure and the lever declutches.

UNCLAMPING: Lift pump lever 10 degrees upward against spring force to release clamping force instantly.

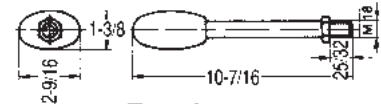
CONSTRUCTION: Totally self-contained power source. Virtually wearfree due to metallic seal on pump piston.



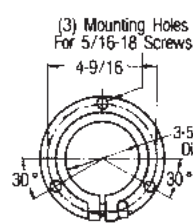
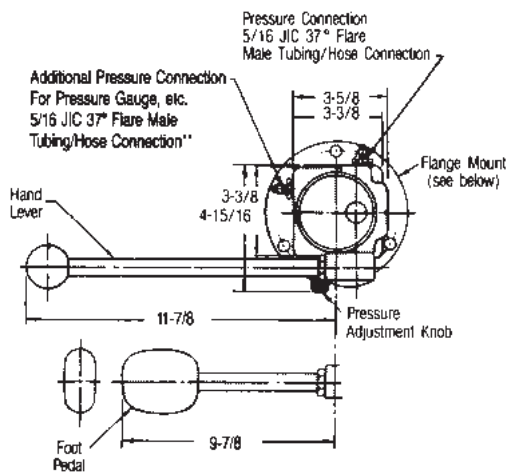
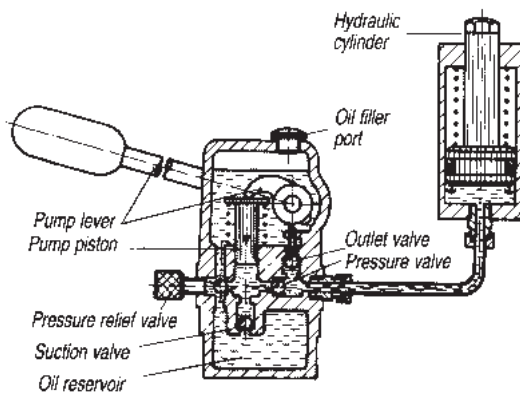
Symbol



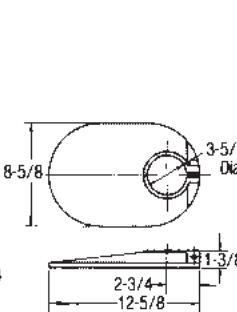
Hand Lever
CLR-003-HPA



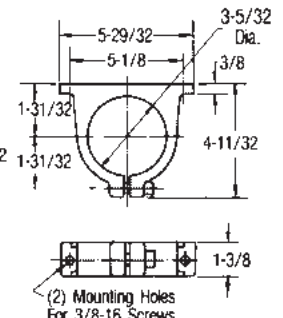
Foot Lever
CLR-002-HPA



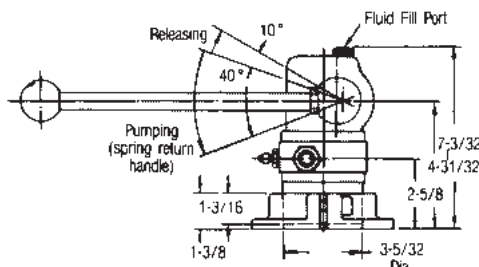
Flange
CLR-303-HPA



Weighted Base
CLR-301-HPA



Bracket
CLR-302-HPA



Operating pressure range	0-7250 psi	0-3000 psi
Displacement per stroke (cu.in.)	.12	.24
Usable oil volume (cu.in.)	9	9
Reservoir capacity (cu.in.)	18	18
Relief valve adjustment range (psi)	150-7250	150-3000
Weight (lbs)	16-27	16-27
Part No. with flange and hand lever	CLR-601-HP	CLR-401-HP
Part No. with base and foot lever	CLR-602-HP	CLR-402-HP
Part No. with base and hand lever	CLR-603-HP	CLR-403-HP
Part No. with base and foot lever	CLR-604-HP	CLR-404-HP
Part No. with bracket and hand lever	CLR-605-HP	CLR-405-HP
Part No. with bracket and foot lever	CLR-606-HP	CLR-406-HP
Part No., pump only	CLR-600-HP	CLR-400-HP

Fluid Recommendations see F&A section.



ROEMHELD
HILMA ■ STARK

Carr Lane Roemheld Mfg. Co.

Sales — Phone (314) 647-6200 Fax (314) 647-5736
Engineering — Phone 1-800-827-2526 Web roemheld-usa.com



Compact Block

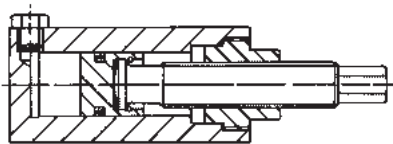


Cartridge/Manifold Mounted

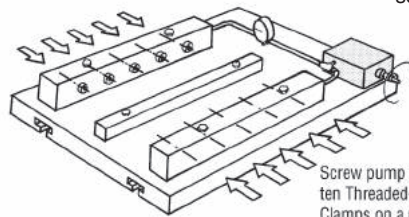
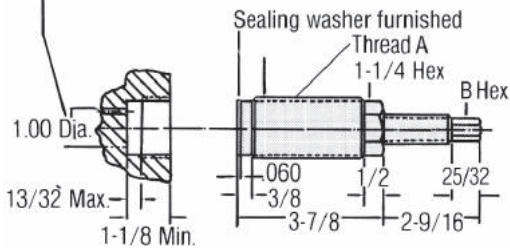
- Compact pressure source
- Ideal for rotary tables or pallets where fluids supply lines are impractical
- Excellent for holding pressure while fixture is transferred
- Can be used in multiples for more fluid capacity
- May be operated with a power torque wrench (non-impact)
- 7250 psi pressure from 38 ft-lbs torque
- ** Do not use NPT fittings

DESIGN CONSIDERATIONS:

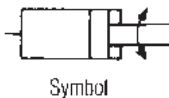
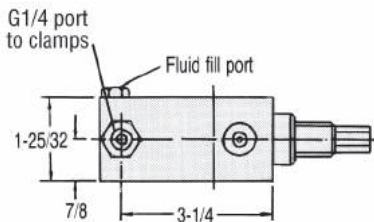
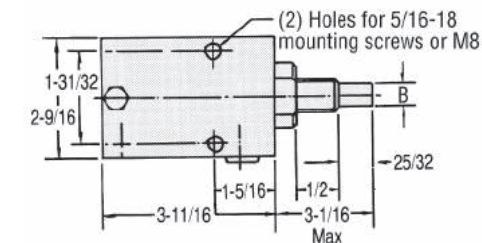
1. Include a pressure gauge in the system (see F&A section).
2. All clamps and components must be leak free, so use only Roemheld products.
3. Since fluid capacity is limited, use only on small fixtures. For best results, clamps should use only 65% of total fluid capacity. Due to limited capacity, use only with smallest accumulator CLR-9606-102-PDA.
4. Systems must be bled carefully and designed to avoid air pockets. Include a separate fill plug on the cartridge mounted version, at the highest point in the system.
5. Mount block-type Screw Pump only horizontally with fluid fill port up.
6. For safety on palletized fixtures, use a control cylinder (F&A section) with a position sensor on the machine.



Within this diameter range, the port drilling should be located as high up as possible



Hole Preparation for manifold mounting



Operating Pressure Range	0-7250 psi
Total fluid capacity (cu. in.)	1.28
Fluid displacement per revolution (cu. in.)	.06
Installation torque, manifold mounting (ft. lbs.)	58
Weight (lbs)	4.0

INCH

A body thread	1-1/2- 16
B Hex	1/2
Part No., compact block	CLR-900-SP
Part No., manifold mounted	CLR-901-SP
Part No., sealing washer	CLR-3000-843-SW

METRIC

A body thread	M38 x 1.5
B Hex	SW 13
Part No., compact block	CLR-8819-001-SP
Part No., manifold mounted	CLR-8819-101-SP
Part No., sealing washer	CLR-3000-843-SW

Carr Lane Roemheld Mfg. Co.

Sales — Phone (314) 647-6200 Fax (314) 647-5736
Engineering — Phone 1-800-827-2526 Web roemheld-usa.com

Hydraulic Intensifier

7250 psi max



APPLICATION: The hydraulic intensifier converts a hydraulic pressure on the primary side (input) into a higher pressure on the secondary side (output).

This enables the use of the comparatively low pressure of machine tool hydraulics to pressurize a hydraulic cylinder with a correspondingly increased intensification ratio.

DESCRIPTION: The construction of the hydraulic intensifier corresponds to the principle of pressurizing areas of different sizes. Regulation of the high pressure at the secondary side is made by regulation of the low pressure side and is directly proportional.

First the intensifier delivers a high flow rate at

a low pressure (displacement of the cylinders), with increasing counterpressure the intensifier switches automatically to pressure intensification. For unclamping, the cylinder is directly controlled with the low-pressure of the primary side (see example below).

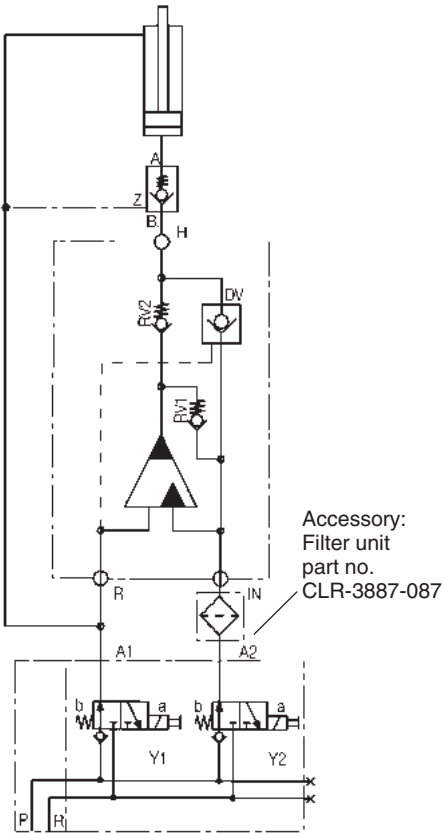
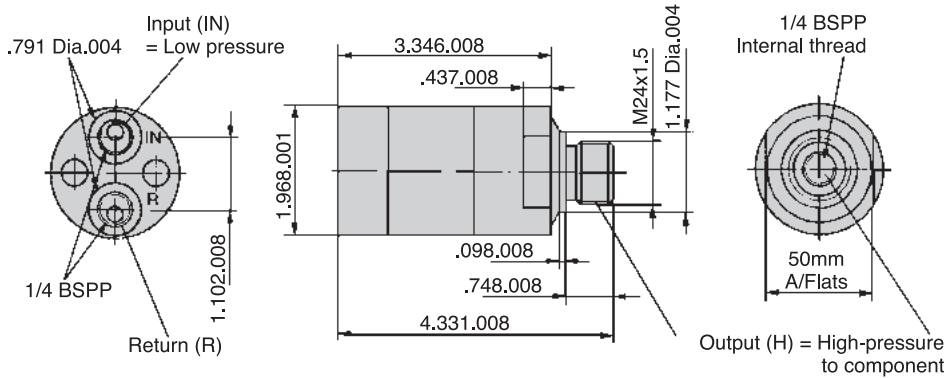
FUNCTION: the oil is supplied through input **IN** via the check valves **RV1**, **RV2**, and **DV** to the high pressure output **H** and thereby to the cylinders. In this phase the intensifier is in rapid function. According to the intensification **i** the max. flow rate can be up to 10 liters/min. With increasing pressure in the cylinder the oscillating pump unit **OP** (pulsation) automatically functions. If the adjusted high-pressure is obtained, pulsation of the intensifier is stopped. Pulsation continues in case of dynamic application. Max. frequency of pulsation is 30 Hz.

To retract the cylinder, the internal check valve **DV** is controlled via port **R** and thereby free return through the intensifier is guaranteed.

IMPORTANT NOTES: The hydraulic oil must be perfectly filtered with particles not larger than nominally 10 micron. This is the reason why we offer a filter unit (part no. CLR-3887-087), which can be directly integrated in the tubing of the low-pressure side. If the intensifier will be used on uncoupled systems (no connection to the pressure generator) a pilot-controlled check valve should be mounted at the high-pressure side (consider min. control pressure for opening). For pilot-operated check valve, see valves section.

When designing an installation, pay attention that there can be leakage between the ports **IN** and **R** of the high-pressure intensifier.

Leakage rate approx. 50 cm³/min. When using the intensifier in uncoupled systems there will be a pressure increase in the unclamping line due to the leakage. — Please contact us.



Intensification Ratio	1.5	2.0	3.2	4.0	5.0
Max. flow rate Low-pressure side Q _n (cu.in)	488	488	915	854	854
Max. flow rate, High-pressure side Q _i (cu.in)	61	48	150	120	98
Max. operating pressure Low-pressure side P _n psi	3000	3000	2000	1800	1500
Max. operating pressure High-pressure side P _i psi	4500	6000	7250	7250	7250
Weight (lbs)	2	2	2	2	2
Part No.	CLR-8755-015	CLR-8755-020	CLR-8755-032	CLR-8755-040	CLR-8755-050



Carr Lane Roemheld Mfg. Co.

Sales — Phone (314) 647-6200 Fax (314) 647-5736
Engineering — Phone 1-800-827-2526 Web roemheld-usa.com



APPLICATION: The hydraulic intensifier converts a hydraulic pressure on the primary side (input) into a higher pressure on the secondary side (output).

This enables the use of the comparatively low pressure of machine tool hydraulics to pressurize a hydraulic cylinder with a correspondingly increased intensification ratio.

DESCRIPTION: The construction of the hydraulic intensifier corresponds to the principle of pressurizing areas of different sizes. Regulation of the high pressure at the secondary side is made by regulation of the low pressure side and is directly proportional.

First the intensifier delivers a high flow rate at a low pressure (displacement of the cylinders), with increasing counterpressure the intensifier switches automatically to pressure intensification. For unclamping, the cylinder is directly controlled with the low-pressure of the primary side (see example on previous page).

FUNCTION: the oil is supplied through input **IN** via the check valves **RV1**, **RV2**, and **DV** to the high pressure output **H** and thereby to the cylinders. In this phase the intensifier is in rapid function. According to the intensification **i** the max. flow rate can be up to 10 liters/min. With increasing pressure in the cylinder the oscillating pump unit **OP** (pulsation) automatically functions. If the adjusted

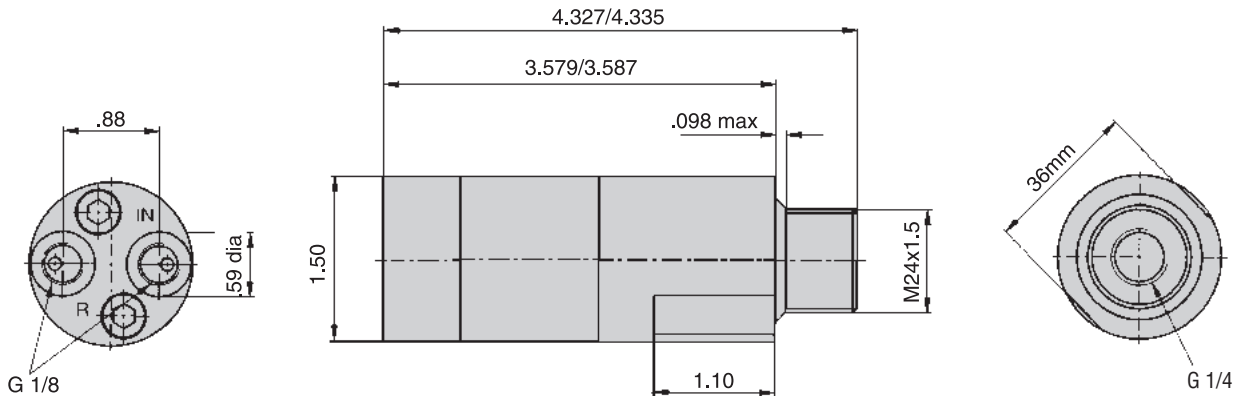
high-pressure is obtained, pulsation of the intensifier is stopped. Pulsation continues in case of dynamic application. Max. frequency of pulsation is 30 Hz.

To retract the cylinder, the internal check valve **DV** is controlled via port **R** and thereby free return through the intensifier is guaranteed.

IMPORTANT NOTES: The hydraulic oil must be perfectly filtered with particles not larger than nominally 10 micron. This is the reason why we offer a filter unit (part no. CLR-3887-087), which can be directly integrated in the tubing of the low-pressure side. If the intensifier will be used on uncoupled systems (no connection to the pressure generator) a pilot-controlled check valve should be mounted at the high-pressure side (consider min. control pressure for opening). For pilot-operated check valve, see valves section.

When designing an installation, pay attention that there can be leakage between the ports **IN** and **R** of the high-pressure intensifier.

Leakage rate approx. 50 cm³/min. When using the intensifier in uncoupled systems there will be a pressure increase in the unclamping line due to the leakage. — Please contact us.



Intensification Ratio	3.2	4.0	4.8	6.2	7.5
Max. flow rate Low-pressure side Q _v (cu.in/min)	490	490	490	490	490
Max. flow rate, High pressure side Q _v (cu.in/min)	25	25	25	25	25
Max. operating pressure Low-pressure side P _v psi	2250	1800	1500	1100	950
Max. operating pressure High-pressure side P _v psi	7250	7250	7250	7250	7250
Weight (lbs)	2.2	2.2	2.2	2.2	2.2
Part No.	CLR-8755-132	CLR-8755-140	CLR-8755-148	CLR-8755-162	CLR-8755-175



Valves

Clamping Valves



**Hand-Operated
Single Acting**



**Hand-Operated
Double Acting**

For clamping several workpieces from a single power source.



**Cam Roller
Single Acting**



**Air/Hydraulic Pilot
Single Acting**

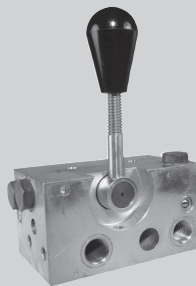
page 695



**DC Solenoid
Single or Double Acting**

page 696

Extremely compact, for clamping several workpieces from a single power source.



page 697

Heavy Duty Clamping Valve

Poppet style 4-way clamping valve can be used for single acting or double acting. Great for clamping several workpieces independently with a single power source. Heavy duty for extra-long life.



ROEMHELD
HILMA ■ STARK

Carr Lane Roemheld Mfg. Co.

Sales — Phone (314) 647-6200 Fax (314) 647-5736
Engineering — Phone 1-800-827-2526 Web roemheld-usa.com

Valves

Control Valves

Sequence Valves



**Manifold Mounted
Or Series Mounted**

pages 699-700

For automatic sequencing of locating, clamping, and supporting operations. Easily adjustable trigger pressure. Use in multiples for multi-step sequencing.

Pressure Control



Pressure Closing

page 698



Pressure Reducing

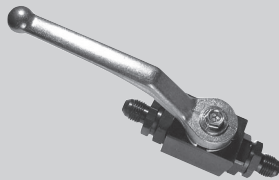
page 701



Pressure Relief

page 703

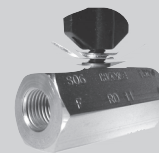
Shut Off



Use to hold pressure in a fixture during machining.

page 703

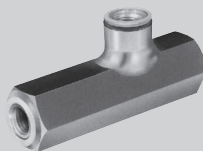
Flow Control



Use to restrict flow in one direction while allowing free return flow.

page 704

Check Valves



Pilot-Operated

Check valve that permits only one-way flow until released by a pilot fluid line. Available inline or manifold mounted.

page 702



Inline, Cartridge Type

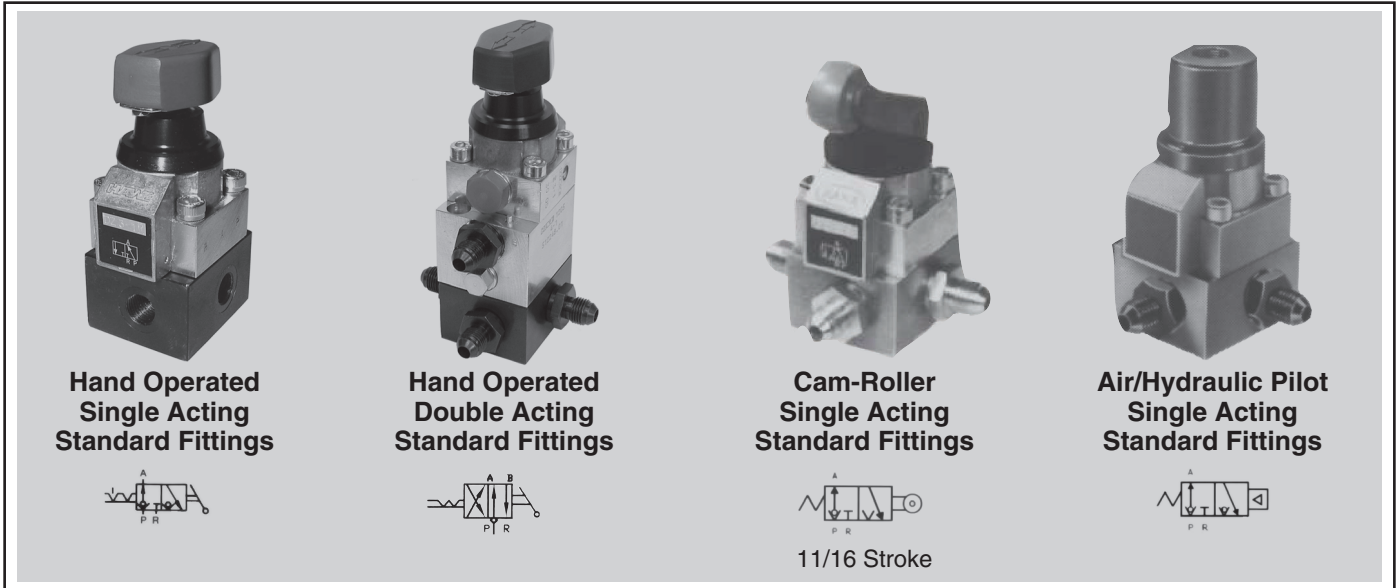
Allows fluid to flow in only one direction.

page 704



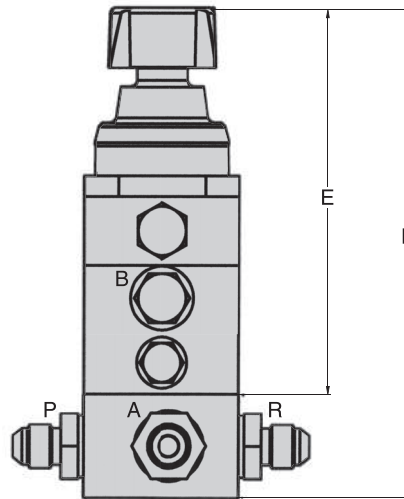
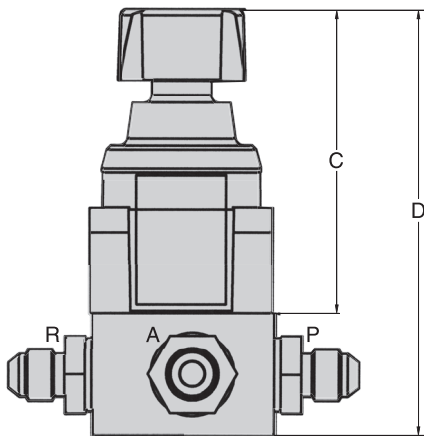
Clamping Valves

7250 psi max
Single or double acting

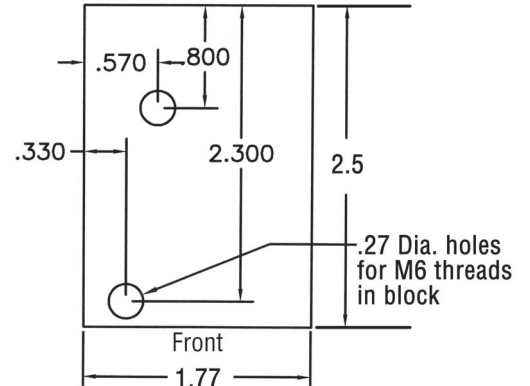


DOUBLE ACTING UNITS

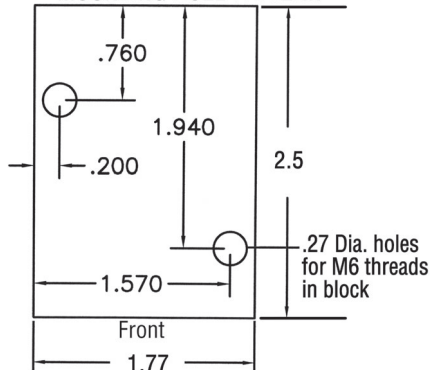
SINGLE ACTING UNITS



DOUBLE ACTING - STANDARD FITTINGS MOUNTING HOLE PATTERN



SINGLE ACTING - STANDARD FITTINGS MOUNTING HOLE PATTERN



Type	Hand Operated	Cam Operated	Air Pilot	Hydraulic Pilot	24V DC Solenoid
C	4.13	4.34	2.81	2.81	5.63
D	5.63	5.84	4.31	4.31	7.13
E	5.51	5.72	4.19	4.19	7.01
F	7.01	7.22	5.69	5.69	8.51
Single Acting Standard Fittings	CLR-225-V	CLR-415-V	CLR-335-V	CLR-345-V	CLR-645-V
Single Acting Manifold Mount	CLR-219-V	CLR-411-V	CLR-319-V	CLR-325-V	CLR-629-V
Double Acting Standard Fittings	CLR-4220-V	CLR-4412-V	CLR-4320-V	CLR-4326-V	CLR-4630-V
Double Acting Manifold Mount	CLR-4219-V	CLR-4411-V	CLR-4319-V	CLR-4325-V	CLR-4629-V



ROEMHELD
HILMA ■ STARK

Carr Lane Roemheld Mfg. Co.

Sales — Phone (314) 647-6200 Fax (314) 647-5736
Engineering — Phone 1-800-827-2526 Web roemheld-usa.com

Clamping Valves

7250 psi max
Single or double acting



- Use to clamp several workpieces independently with a single power source
- For single-acting or double-acting clamps
- Zero-leakage poppet design with built-in check valve
- Extremely compact
- All electrical coils are continuous duty rated
- ** Do not use NPT fittings

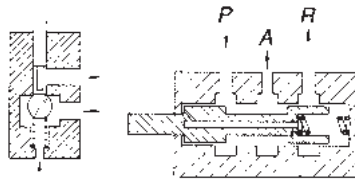
DESIGN CONSIDERATIONS: Port connections and flow directions must be exactly as shown on the drawings. Otherwise the valves will not function correctly.

- P - Pressure into valve from power
- R - Return from valve to power source
- A - Flow from valve to clamps and back

Use these valves only with the fluid types we recommend, CLR-2-FL equivalent on **INFO+** page 722). Fluid must be clean (10 micron or better nominal filtration).

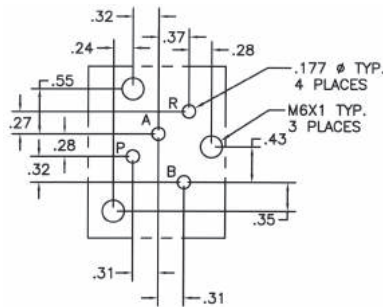
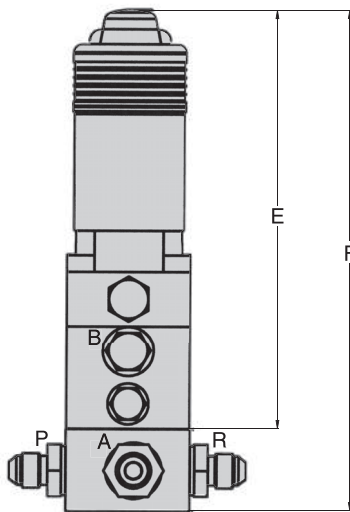
SOLENOID OPERATED: Clamp and unclamp automatically using electrical signals from a machine-tool controller. Operate clamps all at once, or individually using one valve per clamp. Stays clamped even if electric power fails, since solenoid is de-energized in the clamped position. 24 Volts DC (+5/-10% allowable voltage deviation). 2000 cycles/hour maximum. 20 watts power consumption. 120, 220, and 440 volt AC valve also available.

Poppet Valves Spool Valves



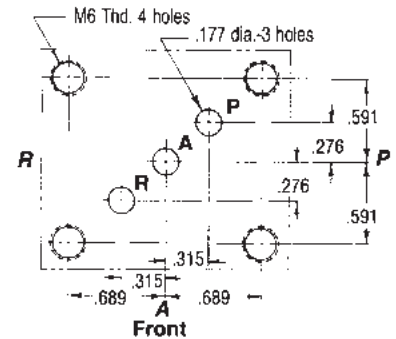
Only Roemheld offers all zero-leakage poppet valves. Others use spool valves, which always have internal leakage due to clearance between the bore and spool.

DOUBLE ACTING UNITS



Double Acting

Mounting-hole pattern for manifold mounting. Grind surface flat, 32 Ra max. Order valves without base.



Single Acting

Standard DC Solenoid Valve

Type	Solenoid operated
Max. operating pressure (psi)	7250
Max. inrush draw (watts)	20
Max. flow rate (cu. in./min.)	490
Voltage (+5%/-10%)	24 VDC
Make time (milliseconds)	100
Break time (milliseconds)	50
Max. cycles per hour	2000
Weight (lbs)	1.5
Part No., Single Acting	CLR-645-V
Part No., Double Acting	CLR-4630-V

Part no.	Type	Normal position (no signal)	Check valve	Symbol
CLR-4630-V	4-way 2-position	N/A	Yes	
CLR-645-V	3-way 2-position	Open	Yes	
CLR-32361-200-V			No	
CLR-32362-300-V		Closed	Yes	
CLR-32362-200-V			No	
CLR-32361-301-V	2-way 2-position	Closed	No	
CLR-32361-302-V		Open	No	



ROEMHELD
HILMA ■ STARK

Carr Lane Roemheld Mfg. Co.

Sales — Phone (314) 647-6200 Fax (314) 647-5736
Engineering — Phone 1-800-827-2526 Web roemheld-usa.com

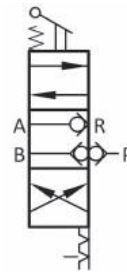
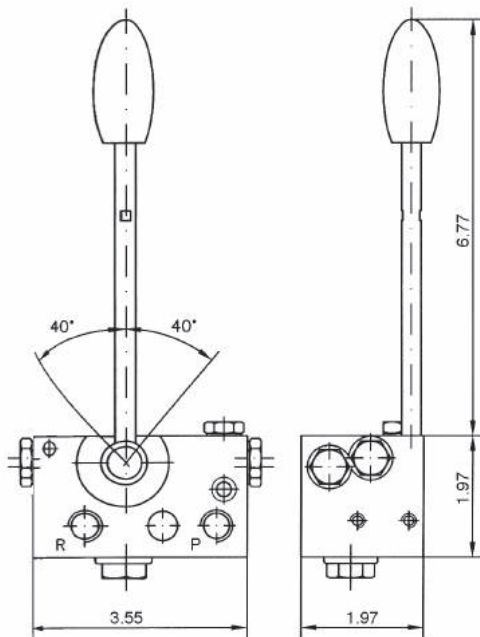
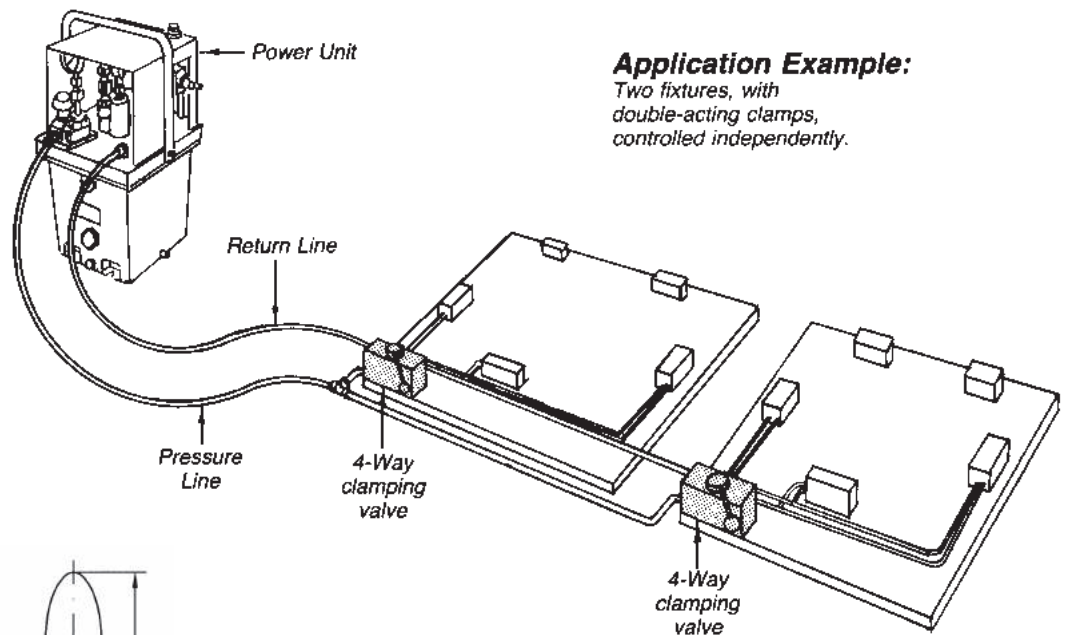
Clamping Valves (4-Way)

7250 psi max
Single and double acting



- Use to clamp several work pieces independently with a single power source
- For double-acting clamps
- Zero-leakage double-poppet design
- ** Do not use NPT fittings

Heavy-duty for extra-long life. Unique double-poppet design for zero leakage. To use with single-acting clamps, use Port Plug CLR-810-F on Port B. Internal check valves ensure fail-safe clamping.



Max. Oper. Pressure (psi)	7250
Max. Flow Rate (cu. in./min.)	730
Direction of Flow	See Drawing
Port Size	G1/4
Weight (lbs)	2.5
Part No.	CLR-302-V

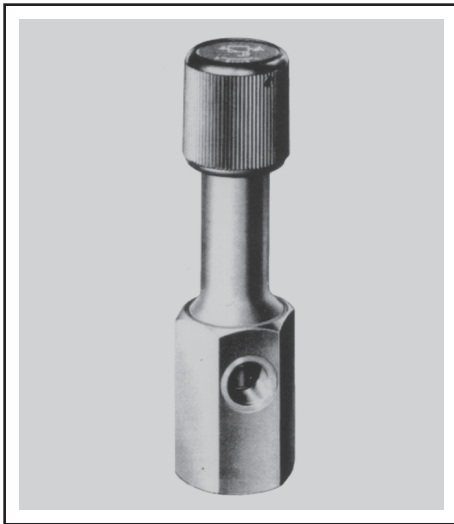


Carr Lane Roemheld Mfg. Co.

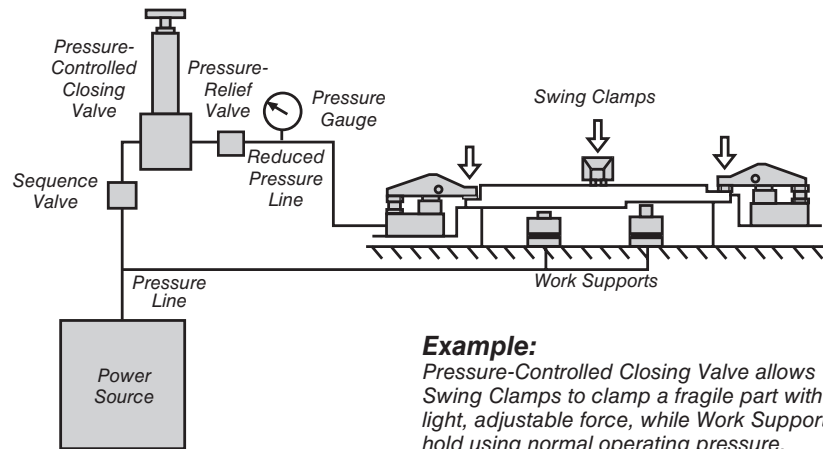
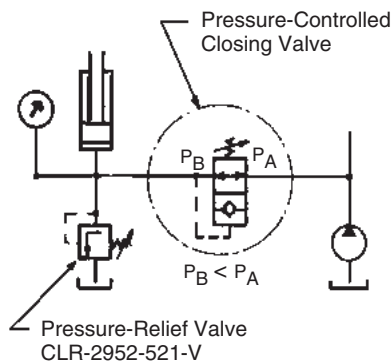
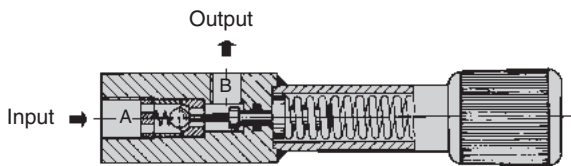
Sales — Phone (314) 647-6200 Fax (314) 647-5736
Engineering — Phone 1-800-827-2526 Web roemheld-usa.com

Pressure-Controlled Closing Valves

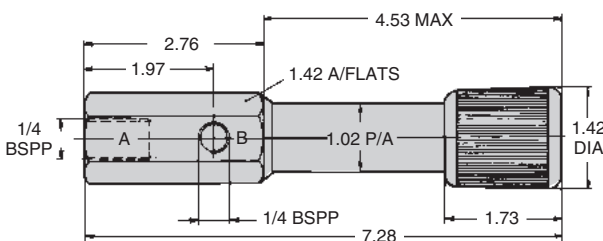
7250 psi max



- Allows different operating pressures in two parts of a fixture
- Can be used on pallet fixtures disconnected from a power source, since no return line is needed
- Allows fine tuning the clamping force of selected components while keeping others constant
- Holds reduced pressure to exact setting, regardless of input pressure
- Zero-leakage poppet design



Example:
Pressure-Controlled Closing Valve allows Swing Clamps to clamp a fragile part with light, adjustable force, while Work Supports hold using normal operating pressure.



Reduced-pressure adjustment range (psi)	High	Medium	Low
	2900-7250	870-3190	435-1800
Max. operating pressure, input (psi)	7250	7250	7250
Repeatability (+/- psi)	150	150	150
Max. fluid flow rate (cu. in./min.)	730	730	730
Part No.	CLR-2953-002-V	CLR-2953-003-V	CLR-2953-001-V

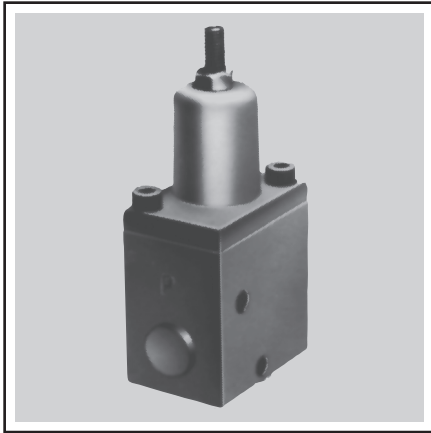


Carr Lane Roemheld Mfg. Co.

Sales — Phone (314) 647-6200 Fax (314) 647-5736
Engineering — Phone 1-800-827-2526 Web roemheld-usa.com

Sequence Valves

7250 psi max



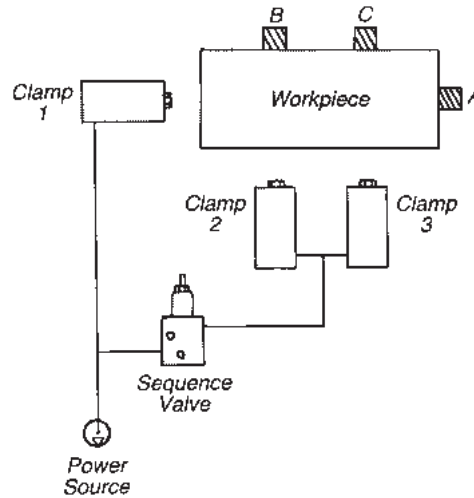
- Use to automatically sequence positioning, clamping, and supporting
- Easily adjustable trigger pressure
- Use in multiples for multi-step sequencing
- ** Do not use NPT fittings

DESIGN CONSIDERATIONS: Choose normal pressure-adjustment-range valves instead of low-range valves whenever possible. Normal range models offer a wider adjustment range, especially when used with an Air Power Unit. For multi-stage sequencing, set trigger pressures in steps of at least 750 psi (normal range) or 375 psi (low range).

STANDARD FITTINGS: Mount in line. Fasten with two #10 cap screws if desired.

MANIFOLD MOUNTING: Fluid enters and exits through two O-ring ports fed by drilled fixture passages. Mount on a ground surface (32 Ra max.) using three #10 cap screws.

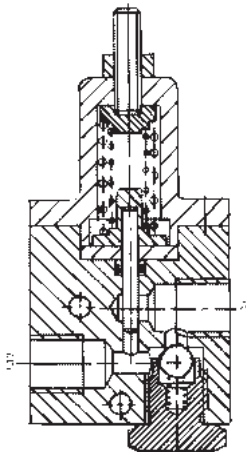
SERIES MOUNTING: Use one input valve and up to five series valves. Only one pressure connection is required, to the input valves P port. The other valves are connected by an internal passage, sealed with an O-ring between each valve. All required plugs, O-rings, and nuts are furnished.



Example clamping sequence:

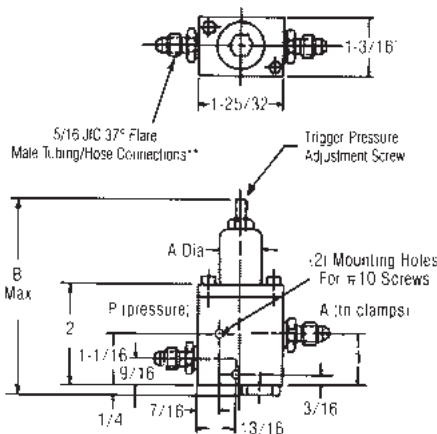
Workpiece to be positioned and clamped sequentially. Sequence valve set for 1500 psi trigger pressure.

1. When clamps are actuated, clamp 1 pushes workpiece against stop A.
2. As soon as pressure reaches 1500 psi, sequence valve opens.
3. Clamps 2 and 3 simultaneously push workpiece against stops B and C.
4. Fluid pressure rises uniformly in all clamps.



Trigger pressure adjustment range (psi)	Low Range	Normal Range
	150 to 2200	1500 to 6500
Max. operating pressure (psi)	7250	7250
Pressure change per turn (psi)	220	440
Maximum flow	490 cu. in./min.	490 cu. in./min.
A Dia.	7/8	1-3/32
B	4-5/16	5-3/4
Weight (lbs)	1.1	1.4

Standard Fittings



Standard Fittings

Part No.	CLR-420-V	CLR-440-V
----------	-----------	-----------

Manifold Mounted

Part No.	CLR-429-V	CLR-449-V
Part No., Spare O-Ring	CLR-3000-342-SW	CLR-3000-342-SW

Series Mounted

Part No., Input Valve	CLR-2954-427-V	CLR-2954-441-V
Part No., Series Valve	CLR-2954-428-V	CLR-2954-442-V
Part No., Connecting Bolt, 2 Valves	CLR-3619-029-VA	CLR-3619-029-VA
Part No., Connecting Bolt, 3 Valves	CLR-3619-031-VA	CLR-3619-031-VA
Part No., Connecting Bolt, 4 Valves	CLR-3619-032-VA	CLR-3619-032-VA
Part No., Connecting Bolt, 5 Valves	CLR-3619-033-VA	CLR-3619-033-VA
Part No., Connecting Bolt, 6 Valves	CLR-3619-034-VA	CLR-3619-034-VA

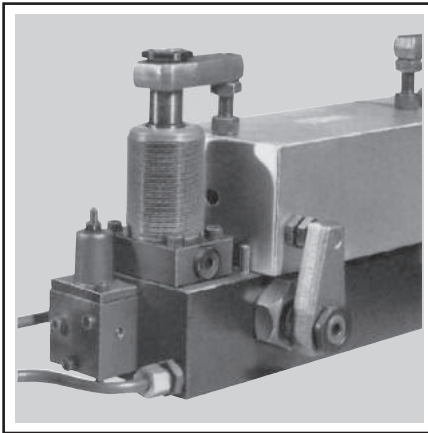


Carr Lane Roemheld Mfg. Co.

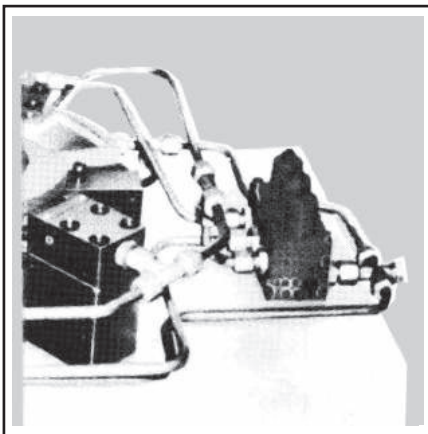
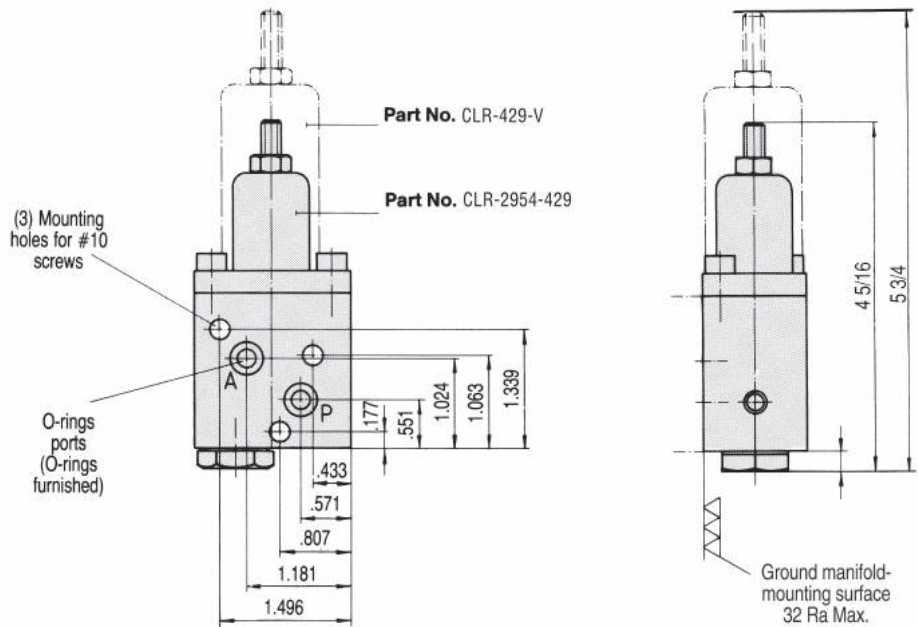
Sales — Phone (314) 647-6200 Fax (314) 647-5736
Engineering — Phone 1-800-827-2526 Web roemheld-usa.com

Sequence Valves

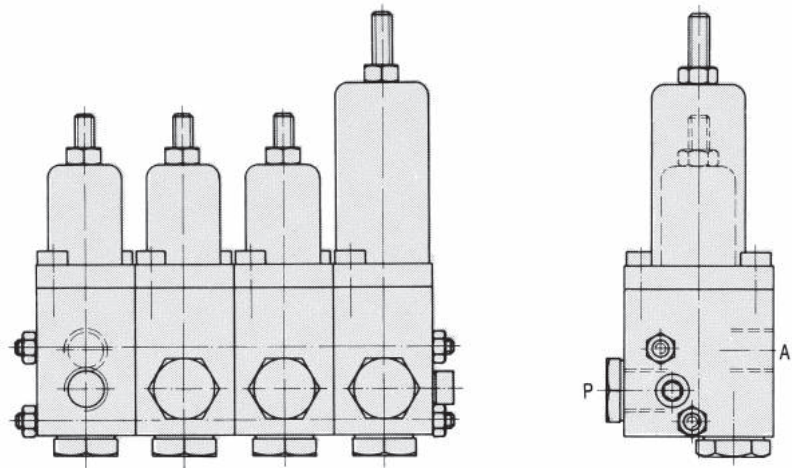
7250 psi max



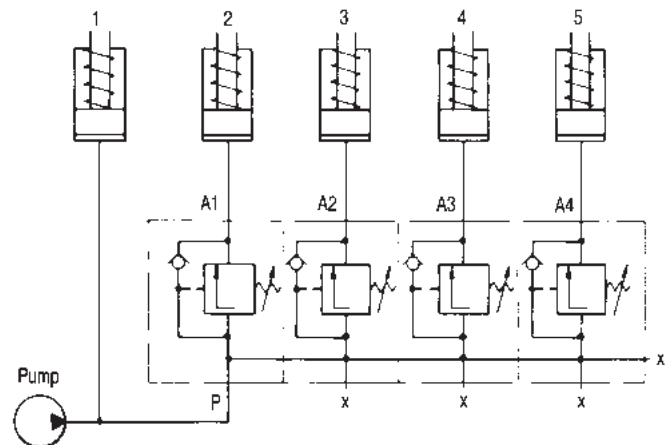
Manifold Mounted



Series Mounted



Hydraulic Diagram



Ordering Example:
 Series combination of three low-range sequence valves and one normal-range sequence valve:
 (1) CLR-2954-427-V Input Valve
 (2) CLR-2954-428-V Series Valve
 (1) CLR-2954-442-V Series Valve
 (2) CLR-3619-032-VA Connecting bolts

14

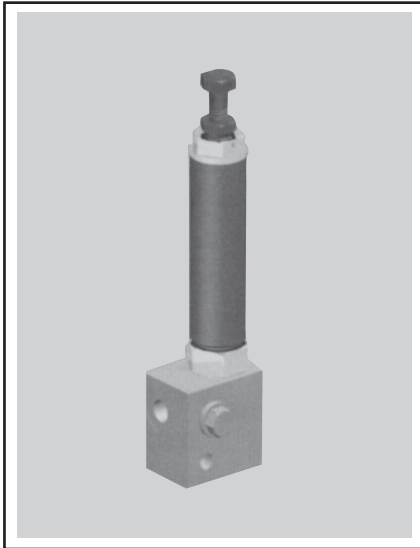


Carr Lane Roemheld Mfg. Co.

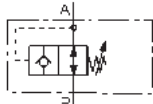
Sales — Phone (314) 647-6200 Fax (314) 647-5736
 Engineering — Phone 1-800-827-2526 Web roemheld-usa.com

Pressure-Reducing Valves

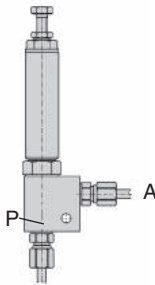
7250 psi max



Pipe Connection Type



Symbol

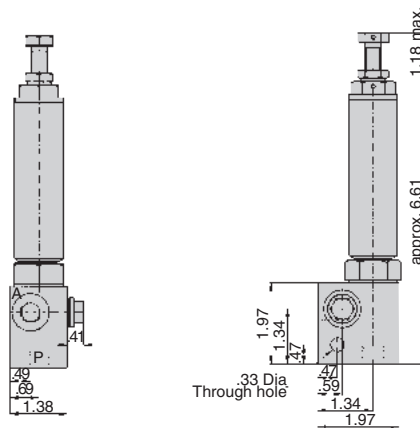


- Allows operating a single clamp, or group of clamps, at a lower pressure than the rest of the fixture.
- Great new design that can be used on pallet fixtures disconnected from a power source, since no return line is needed
- Allows fine tuning of the clamping force for selected components while keeping others at full pressure
- Holds reduced pressure to exact setting, regardless of input pressure
- Zero leakage poppet design

OPERATION: Adjust the downstream pressure using the adjusting screw on top of valve. The valve shuts off downstream fluid flow as soon as the system pressure equals the set pressure. As long as the system is connected to the power source, the valve will open again, if additional fluid is required to maintain the downstream pressure. Valve is also ideal for use on palletized (uncoupled) systems.

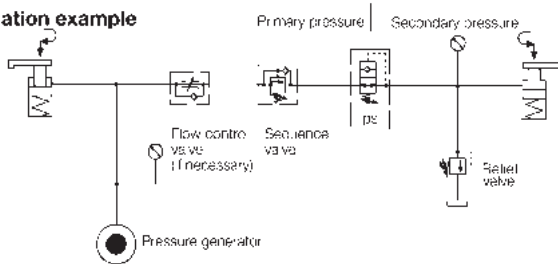
UNIQUE FEATURES: In normal systems (connected to power source) valve performs as a true pressure reducing valve, and in Palletized (uncoupled) systems as a pressure closing valve.

DESIGN CONSIDERATIONS: When using this valve in series with other valves (clamp/unclamp valves, sequence valves, etc.) the pressure reducing valve must be the one closest to the clamp(s) that it is protecting. When used in uncoupled systems, it is strongly recommended that a pressure relief valve be included to prevent pressure increases in the downstream (low pressure) side of the system.

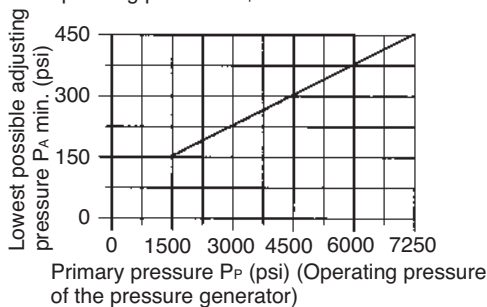


Ports A, P and M = 1/4 BSPP

Application example



Limit curve of the lowest possible adjusting pressure $P_{A \text{ min.}}$ as a function of the operating pressure P_P



Output pressure setting range (psi)	450 to 5500
Valve Type	Poppet
Max. operating pressure (psi)	7250
Output repeatability (psi)	±75
Max. hysteresis to re-open (psi)	375
Approx. pressure change per rotation (psi)	580
Max. fluid flow rate (cu.in./min.)	600
Range of adjustment (psi)	435-5510
Weight, approx. (lbs)	2.9
Part No.	CLR-2953-111-V

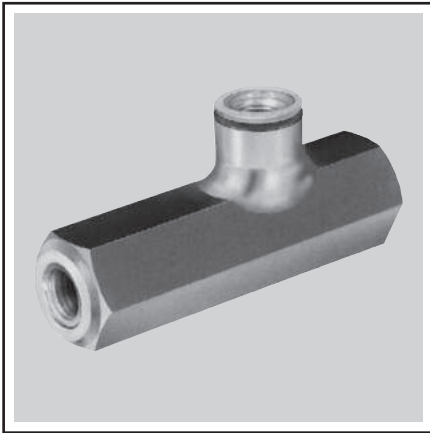


Carr Lane Roemheld Mfg. Co.

Sales — Phone (314) 647-6200 Fax (314) 647-5736
Engineering — Phone 1-800-827-2526 Web roemheld-usa.com

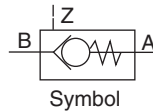
Pilot-Operated Check Valves

7250 psi max



In-Line Mounted

- Holds clamping pressure until released by a separate pilot pressure line
- Allows only one-way flow until released
- Excellent safety device if fluid line to fixture may become damaged
- May be used to prevent workpieces from floating between opposing clamps
- Spring-loaded ball-seat valve (leakage free)

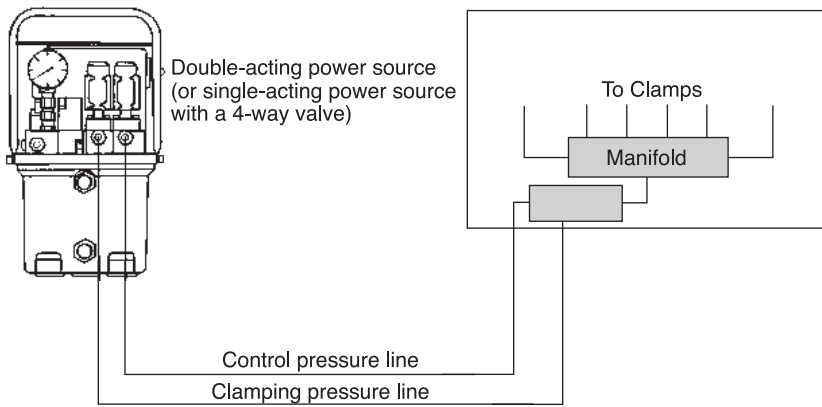


OPERATION: The flow from B → A is free. The flow from A → B is locked, but can be hydraulically unlocked by pressurizing control port Z.

CONTROL PRESSURE: To unlock the check valve for return flow, control (pilot) pressure must be greater than $(0.32 \times \text{Pressure}_A) + 175$ psi for the smaller valve and $(0.38 \times \text{Pressure}_A) + 175$ psi for the larger size.

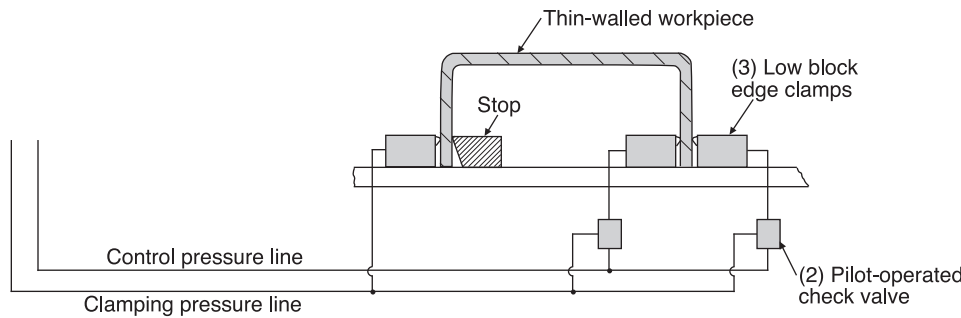
MOUNTING: In-line mounting with tubing connectors. Control port Z is 1/4 BSPP. Ports A & B are 1/4 BSPP on the smaller size, 1/2 BSPP on the larger size. To reduce 1/2 BSPP to 1/4 BSPP, order adaptor CLR-3613-015-F.

DESIGN CONSIDERATIONS: This pilot-operated check valve is not suitable for locking of double-acting swing clamps (pull-type cylinders). Due to the unfavorable surface ratio of these elements, the control pressure is not sufficient for unlocking and dangerous pressure intensification can occur.



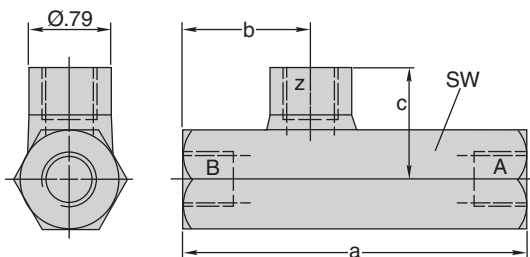
Example 1:

Workpieces remain clamped even if fluid line between power source and fixture becomes damaged.



Example 2:

Two opposing clamps (on right side) allow the workpiece to float between them to avoid distorting it. Without check valves, the workpiece would remain unstable since either clamp could retract or extend further by shifting fluid to the other. Check valves lock the clamps in their settled position by allowing only one-way flow.



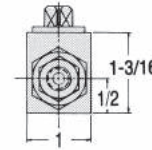
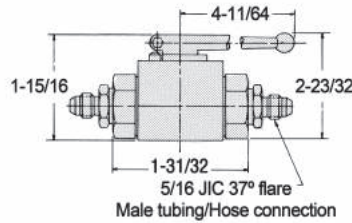
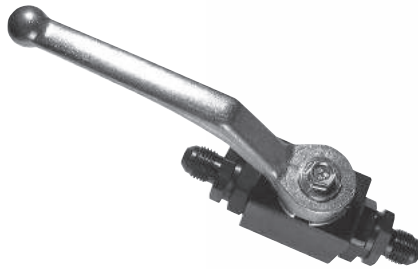
Max. flow rate (cu. in./min.)	920	3360
Max. operating pressure (psi)	7250	7250
Control fluid volume (cu. in.)	.01	.02
Port size, A & B	1/4 BSPP	1/2 BSPP
Port Size, Z	1/4 BSPP	1/4 BSPP
a	3.31	3.94
b	1.24	1.44
c	1.06	1.22
SW	24mm	32mm
Weight (lbs)	.9	1.3
Part No.	CLR-2951-417-V	CLR-2951-501-V

Carr Lane Roemheld Mfg. Co.

Sales — Phone (314) 647-6200 Fax (314) 647-5736

Engineering — Phone 1-800-827-2526 Web roemheld-usa.com

Shutoff Valves



APPLICATIONS:

1. Shutting off unused lines in a multi-purpose fixture.
2. Holding fixture pressure temporarily while transporting with power source disconnected.

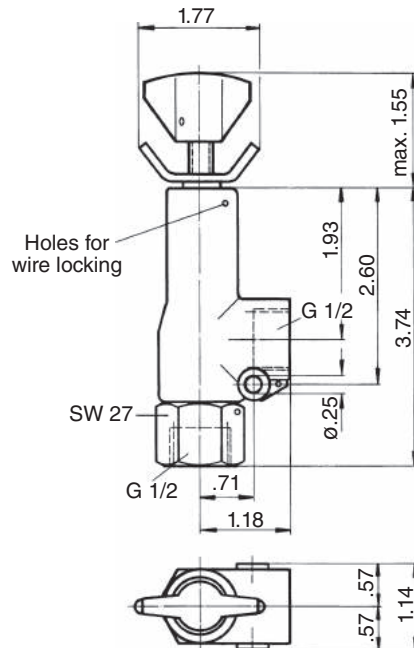
DESIGN CONSIDERATIONS: Note: a shutoff valve cannot be used to clamp and unclamp. See valves section for clamping valves.



Symbol

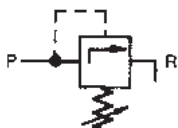
Max. operating pressure (psi)	7250
Mounting	In line
Lever Movement	90°
Weight (lbs)	0.7
Part No.	CLR-400-V

Relief Valves



APPLICATIONS: To protect hydraulic circuits from unexpected pressure increases, such as when the temperature of a closed system increases beyond maximum operating pressure.

CONSTRUCTION: Poppet-type valve, directly controlled.



Symbol

Max. operating pressure (psi)	7250
Adjustment range (psi)	0-7250
Mounting	In line
Weight (lbs)	0.66
Part No.	CLR-2952-521-V

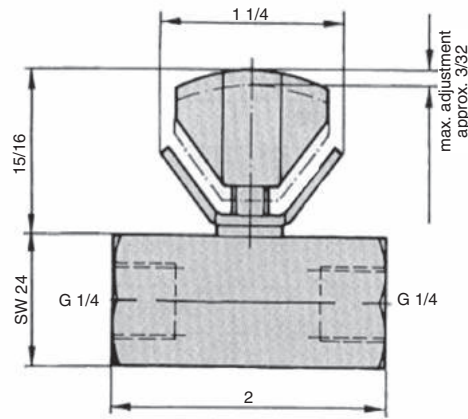


ROEMHELD
HILMA ■ STARK

Carr Lane Roemheld Mfg. Co.

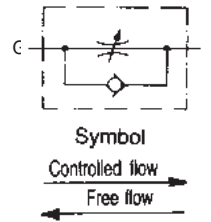
Sales — Phone (314) 647-6200 Fax (314) 647-5736
Engineering — Phone 1-800-827-2526 Web roemheld-usa.com

Flow Control Valves



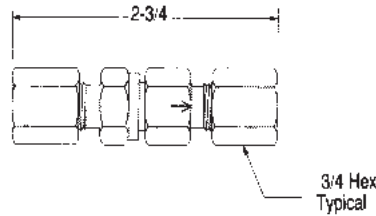
APPLICATIONS: To restrict flow from highflow-rate power sources for proper component operation (Swing Clamps, Extending Clamps, and Fluid-Advanced Work Supports for example).

OPERATION: Turn knob for precision flow control in one direction, with unrestricted free flow in the opposite.

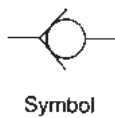


Max. operating pressure (psi)	7250
Mounting	In line
Weight (lbs)	0.7
Part No.	CLR-541-V

Check Valves



Free Flow



APPLICATION: Simple flow restrictor. Allows fluid to flow in only one direction (see arrow).

Max. operating pressure (psi)	7250
Mounting	In line
Weight (lbs)	0.3
Part No.	CLR-9208-111

Cartridge-type check valves are also available. Please contact factory for more information.

Fittings & Accessories

Rotary Couplings



Single Passage (90°)
page 706



Single Passage (straight)
page 706



Two Passage
pages 707-708



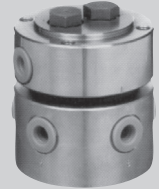
Four Passage
pages 707-708



Six Passage
pages 707-708

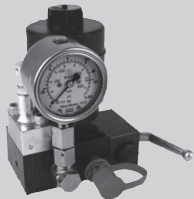


Rotary Valve Couplings
pages 709-711



Rotary Air Valve Couplings
page 712

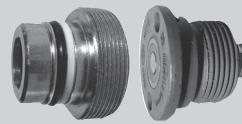
Pallet Coupling



Pallet Decouplers
pages 713-714



Accumulators
page 715



Threaded Coupling Elements
pages 716-717

Pressure Monitoring



Pressure Switches
page 718

Air Accessories



Filter/Regulator/Lubricators
page 719



Fine Pressure Regulators
page 719



Air Flow Controls
page 719



Air Extractor/Dryers
page 719



Air Vent Fittings
page 724

Fittings, Tubing, Hose, etc.



Manifolds
page 719



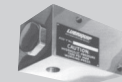
Gauges
page 719



Hose
page 722



Fittings
pages 724-729



Fluid Filters
page 721



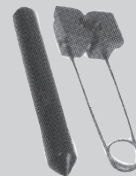
Quick Disconnects
page 720



Tubing
page 722



Fluid
page 722



Tubing Installation & Manifold Mounting
pages 723, 730-731



Contact Bolts
page 732

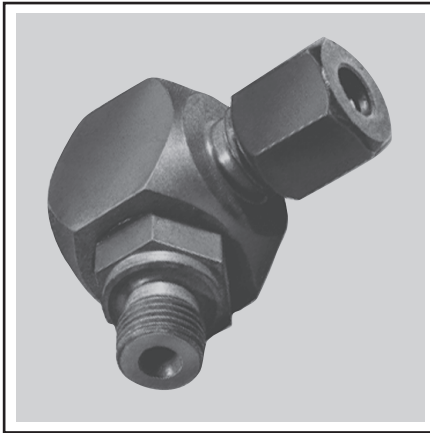


ROEMHELD
HILMA ■ STARK

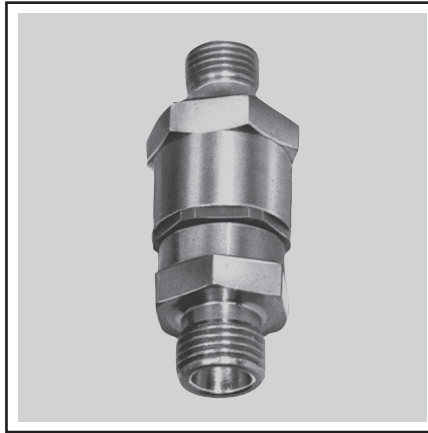
Carr Lane Roemheld Mfg. Co.
Sales — Phone (314) 647-6200 Fax (314) 647-5736
Engineering — Phone 1-800-827-2526 Web roemheld-usa.com

Rotary Couplings

7250 psi max
Single acting



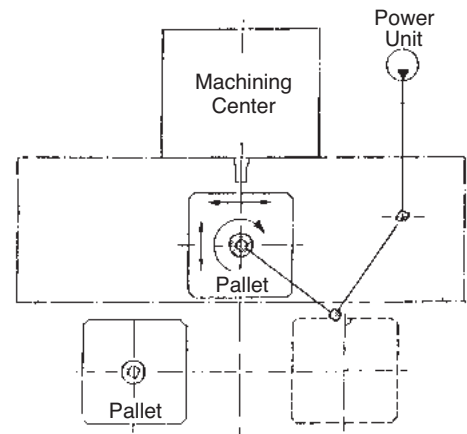
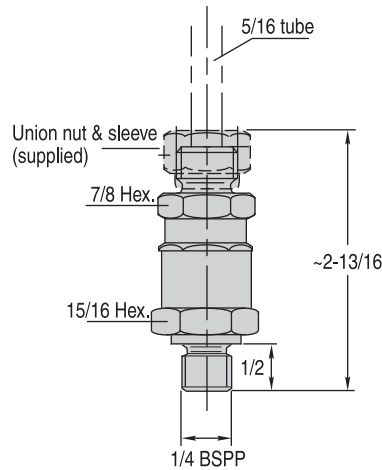
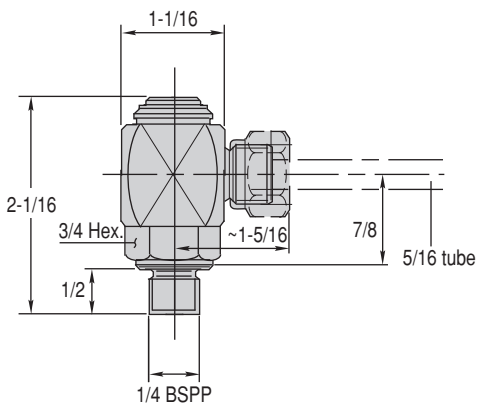
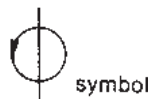
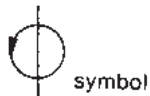
Single Passage —
Elbow



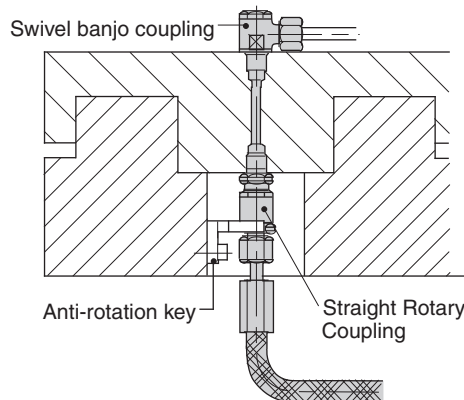
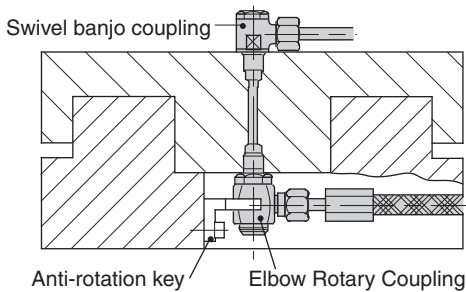
Single Passage —
Straight

- Best choice for feeding fluid to rotating pallet changers, due to constant connection.
- Ideal for rotary index tables.
- Also good for elbow connections that regularly swing through a small arc
- Choice of elbow or straight version
- ** Do not use NPT fittings

MOUNTING: Mount at rotational center to prevent side loading. Screw into standard 1/4 BSPP port.



Machining-center pallet changer with continuous fluid feed using Rotary Couplings.



Number of passages	1
Operating pressure range (psi)	145 - 7250
Maximum rotational speed (RPM)	10
Max. seating torque (ft-lbs)	44
Starting torque at 7500 psi (ft-lbs)	1.0
Part No., Elbow	CLR-843-F
Part No., Straight	CLR-845-F

14



Carr Lane Roemheld Mfg. Co.

Sales — Phone (314) 647-6200 Fax (314) 647-5736
Engineering — Phone 1-800-827-2526 Web roemheld-usa.com

Rotary Couplings

7250 psi max
Single and double acting



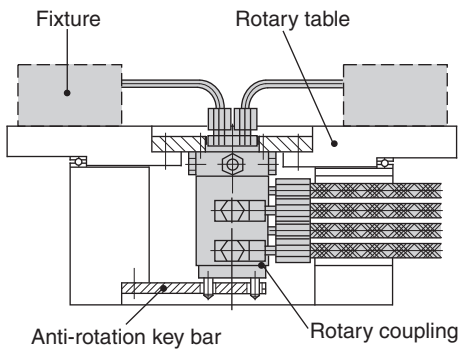
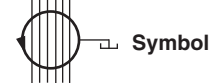
Two Passage



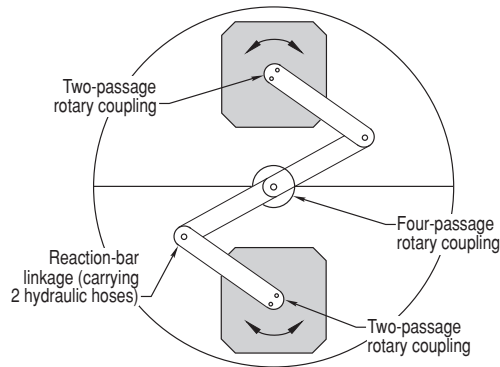
Four Passage



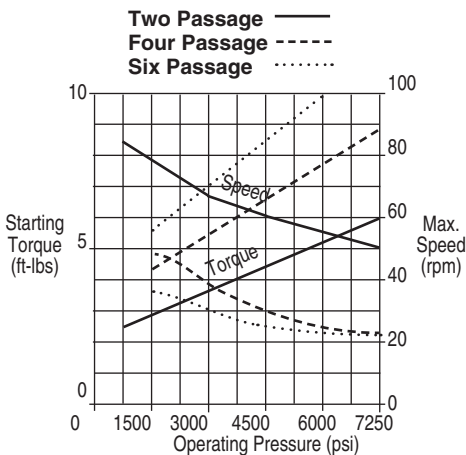
Six Passage



Four-pass rotary coupling with a reaction-bar to prevent stress on hose connections.



Rotary couplings are frequently used on horizontal machining centers with rotary pallet changers. A reaction-bar linkage holds the top portion of each two-pass coupling stationary while the bottom portion revolves freely. Couplings are not designed to carry load. Side load will cause excessive, uneven wear resulting in failure.



Number of passages	2	4	6
Max. flow rate (cu. in./min.)	493	493	493

Standard			
Leakage rate (cu. in./hr.)	.02	.04	—
Weight (lbs)	5.3	10.1	—
Part No., 150-7250 psi	CLR-9281-136-F	CLR-9284-036	—

With Leakage Recirculation			
Weight (lbs)	6.1	12.1	15.9
Part No., 150-7250 psi	CLR-9281-135	CLR-9284-135	CLR-9286-135



Carr Lane Roemheld Mfg. Co.

Sales — Phone (314) 647-6200 Fax (314) 647-5736
Engineering — Phone 1-800-827-2526 Web roemheld-usa.com

Rotary Couplings

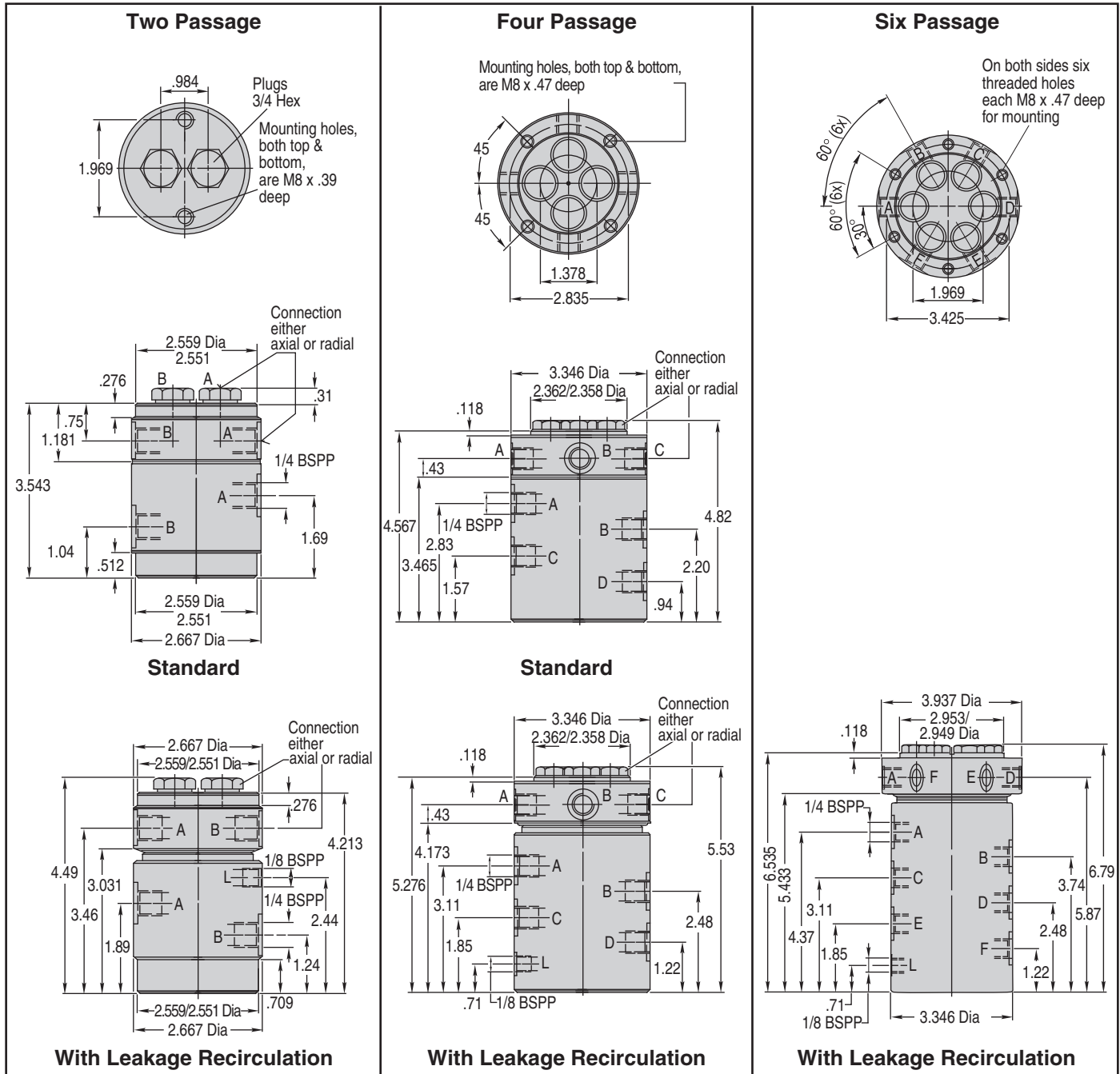
7250 psi max
Single and double acting

- Best choice for feeding fluid to rotating pallet changers, due to constant connection.
- Ideal for rotary index tables.
- Can also be used for double-acting clamps.
- Choice of two, four, or six independent passages.
- Specials are readily available. Please contact factory.

OPERATION: Each passage is supplied separately. This allows independent operation of two, four, or six (depending on model) sets of spring-return (single-acting) clamps.

MOUNTING: Either the top or bottom can be mounted by screws through the supplied holes. Do not hard mount both sides. Use anti-rotational key on one side.

DESIGN CONSIDERATIONS: The fluid pressure in the rotary coupling will add to the table's starting torque requirement and affect the maximum table operating speed. Please check the graph on the previous page. Fluid must be clean (10 micron or better nominal filtration). Couplings can not be side-loaded. Any weight applied will shorten the life of the unit.

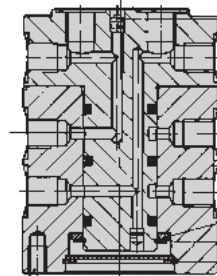


Rotary Valve Couplings

7250 psi max
Single and double acting



- For rotary index tables with an independent load/unload station
- Unload and reload while all other stations remain clamped
- Unclamps automatically at load station, or via a clamping valve
- Available from stock for rotary tables with 2 through 8 stations



OPERATION: One half of the Rotary Valve Coupling rotates with the index table, while the other half remains stationary. Each time the table and coupling index, a new station automatically becomes the load/unload station. The coupling supplies fluid to the loading station separately from all other stations. The loading station can be either unclamped and resealed automatically as the coupling rotates, or controlled by a separate clamping valve.

CLAMPING MANUALLY: The loading station can be clamped and unclamped manually (or by a machine controller's electrical signal) using a 3-way valve mounted off the rotating table. This insures that a new workpiece will not move during indexing, before it is securely clamped. See valves section for hand-, cam- or air pilot-operated valves. Double-acting clamps require a 4 way valve.

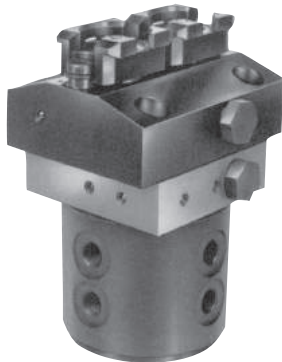
CLAMPING AUTOMATICALLY: To automatically unclamp and reclamp the load station as the coupling rotates, connect the coupling's return line R directly to the power source's reservoir (no pressure). To avoid any pressure drop as the table indexes, the power source's fluid flow rate (cu.in./min.) should be at least 240 times the fluid required at any one clamping station (cu.in.). Otherwise an accumulator must be installed on the pressure line from the power source.

DESIGN CONSIDERATIONS:

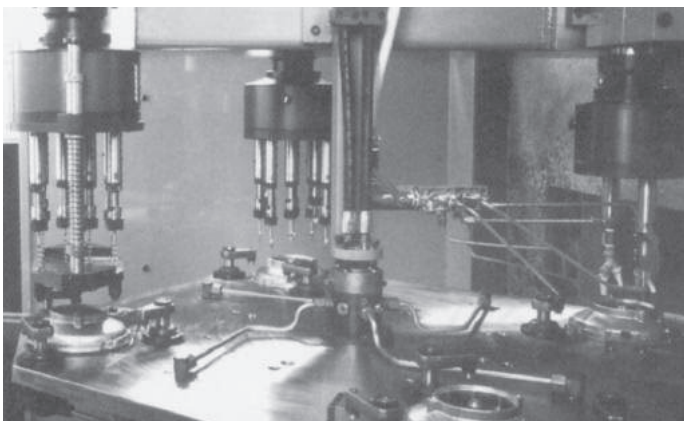
1. To use a standard Rotary Valve Coupling, the table must rotate through the same angle during each indexing movement.
2. Turning the coupling requires additional table-motor starting torque, especially when clamping automatically during indexing.
3. Maximum rotational speed is 10 RPM.
4. Use only with the following hydraulic fluids: those listed in F&A section. To use any other hydraulic fluid, check with factory first. Fluid must be clean (10 micron or better nominal filtration).
5. Do not turn coupling while dry, even before installation. Fill unused ports with fluid before capping off (e.g. when using an 8-station coupling for 4 stations).
6. Use only 1/4 BSPP fittings. Fitting-installation torque must be 28-35 ft.lbs.
7. Couplings can not carry load. Especially side load which will cause excessive, uneven wear.
8. With the load station unclamped, there is a small return-line leakage rate. Always install an accumulator, especially above 3000 psi.

MOUNTING: Firmly fasten either the top or bottom half of the coupling using the tapped mounting holes provided. Use a floating reaction bar to prevent the other half from rotating. Mount at the center of rotation, either above, below, or on the rotary table.

SPECIALS: For additional stations or special features, please contact factory.



Rotary Valve Couplings are also available for use with automatic coupling systems, for loading multi-sided tooling blocks. Please contact factory for information.



This application shows a multiple-spindle machine with four stations, for machining aluminum covers. An 8-station rotary valve coupling is at the center, with its four unused ports plugged.

Type of clamps	Single Acting	Double Acting
Max. operating pressure (psi)	7250	7250

Type 1 — Single Station for Load/Unload

Part No., 5 station	CLR-9295-001-V	CLR-9295-002-V
Part No., 6 Station (also 2 & 3)	CLR-9296-001-V	CLR-9296-002-V
Part No., 8 Station (also 4)	CLR-9298-001-V	CLR-9298-002-V
Part No., 10 Station	CLR-9290-001-V	CLR-9290-002-V

Type 2 — Two Stations for Load/Unload Commonly Controlled

Part No., 6 station (also 2 & 3)	CLR-9296-011-V	CLR-9296-012-V
Part No., 8 Station (also 4)	CLR-9298-011-V	CLR-9298-012-V
Part No., 10 Station (also 5)	CLR-9290-011-V	CLR-9290-012-V

Type 3 — Two Stations for Load/Unload Separately Controlled

Part No., 6 station (also 2 & 3)	CLR-9296-101-V	CLR-9296-102-V
Part No., 8 Station (also 4)	CLR-9298-101-V	CLR-9298-102-V
Part No., 10 Station (also 5)	CLR-9290-101-V	CLR-9290-102-V



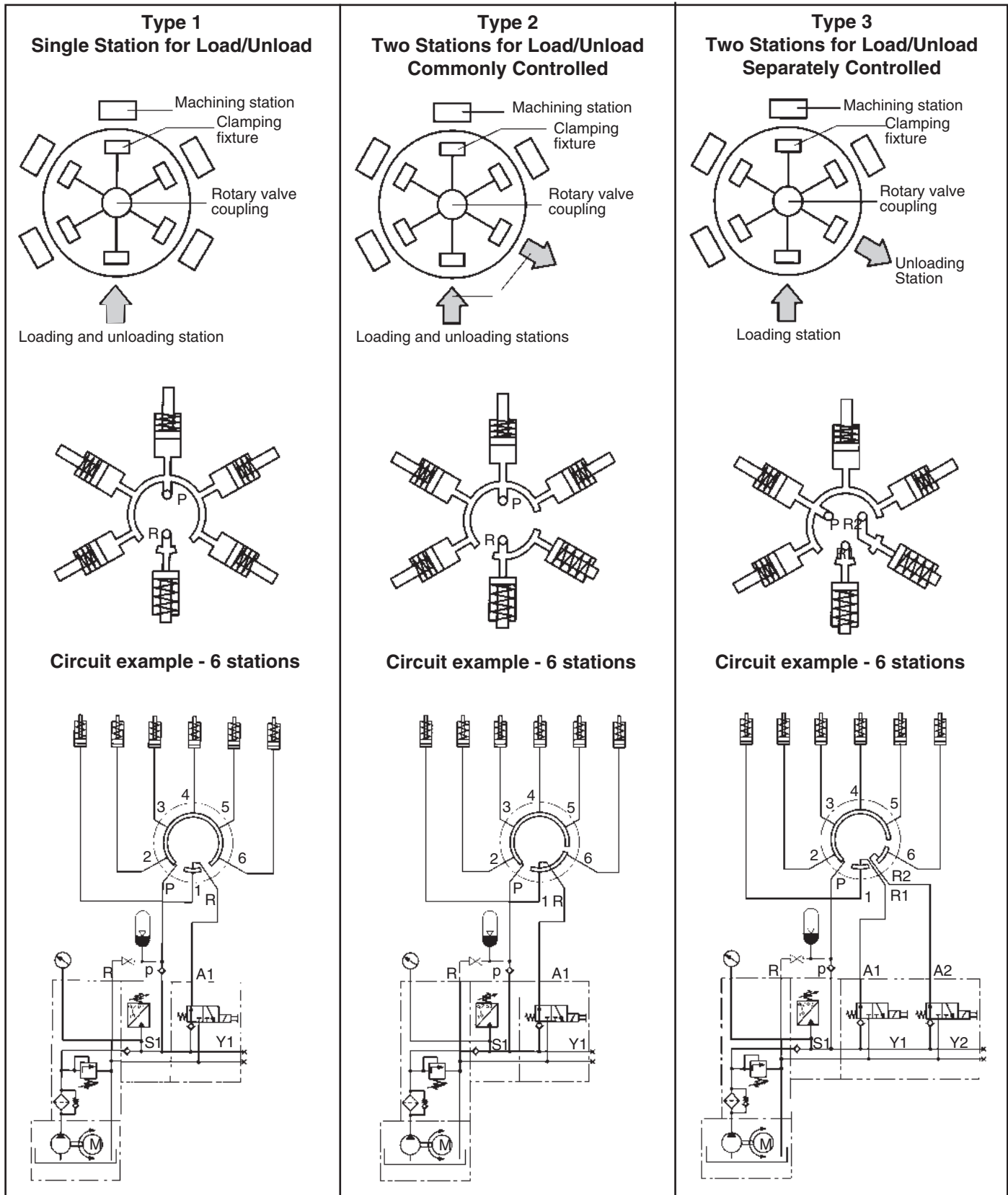
ROEMHELD
HILMA ■ STARK

Carr Lane Roemheld Mfg. Co.

Sales — Phone (314) 647-6200 Fax (314) 647-5736
Engineering — Phone 1-800-827-2526 Web roemheld-usa.com

Rotary Valve Couplings

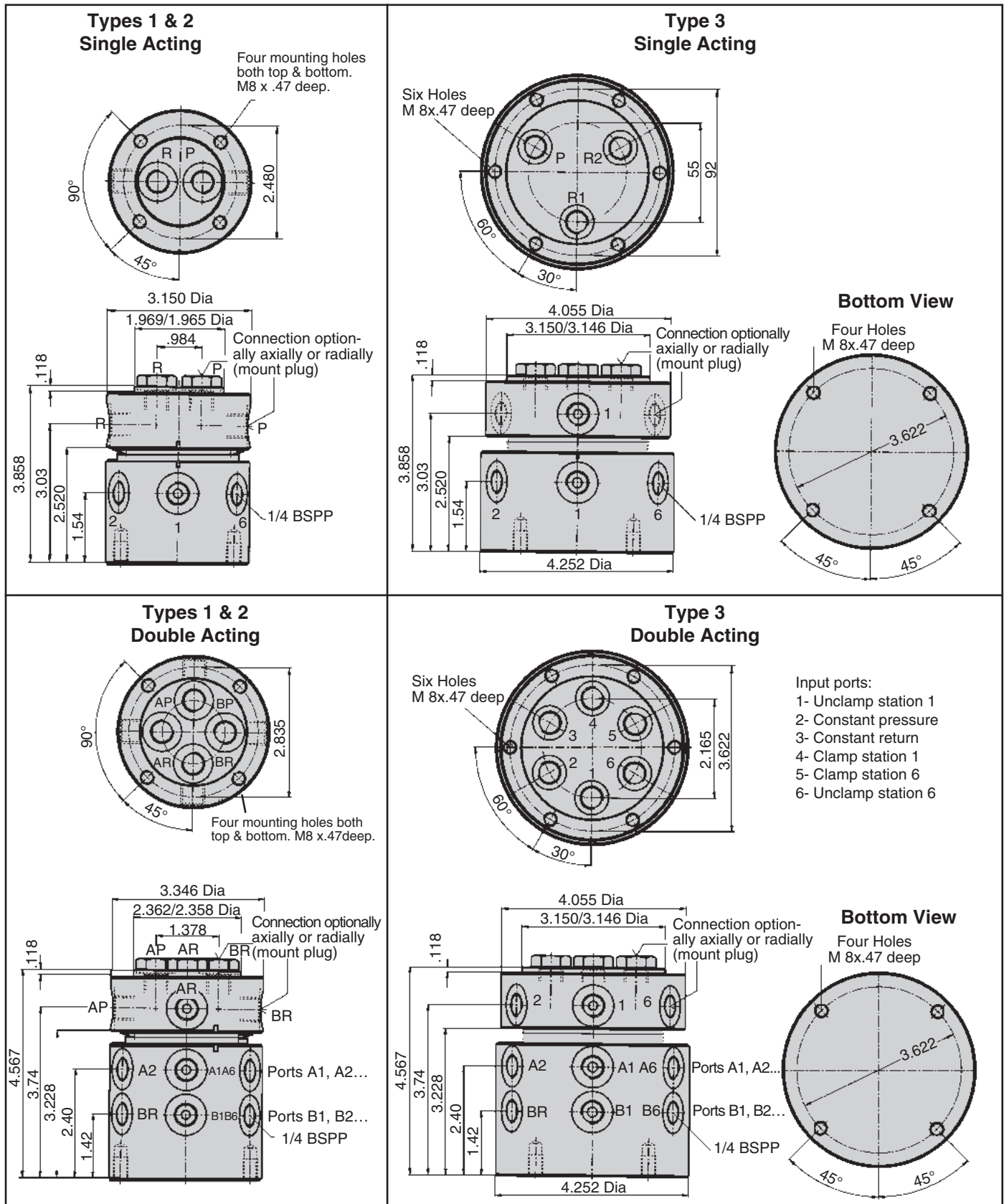
7250 psi max
Single and double acting



14

Rotary Valve Couplings

7250 psi max
Single and double acting



ROEMHELD
HILMA ■ STARK

Carr Lane Roemheld Mfg. Co.

Sales — Phone (314) 647-6200 Fax (314) 647-5736
Engineering — Phone 1-800-827-2526 Web roemheld-usa.com

Rotary Air Valve Couplings

145 psi air max
Single and double acting



Single Acting

- For rotary index tables with an independent load/unload station
- **Unload and reload while all other stations remain clamped**
- **Unclamps automatically at load station, or via a clamping valve**
- Available from stock for rotary tables with 2 through 10 stations

OPERATION: One half of the Rotary Valve Coupling rotates with the index table, while the other half remains stationary. Each time the table and coupling index, a new station automatically becomes the load/unload station. The coupling supplies loading station separately from all other stations. The loading station can be either unclamped and reclamped automatically as the coupling rotates, or controlled by a separate clamping valve.

DESIGN CONSIDERATIONS:

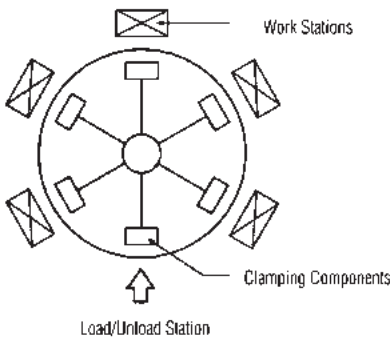
1. To use a standard Rotary Valve Coupling, workpiece must be unloaded and reloaded at the same station. Also, the table must rotate through the same angle during each indexing movement.
2. Turning the coupling requires additional table-motor starting torque, especially when clamping automatically during indexing.
3. Maximum rotational speed is 10 RPM.
4. Although couplings are well sealed, an external cover may be necessary to protect the coupling's siding surfaces against extreme dirt and grit.

CLAMPING BY CONTROL VALVE: The loading station can be clamped and unclamped manually (or by a machine controller's electrical signal) using a 3-way valve mounted off the rotating table. This insures that a new workpiece will not move during indexing, before it is securely clamped. Double-acting clamps require a 4-way valve.

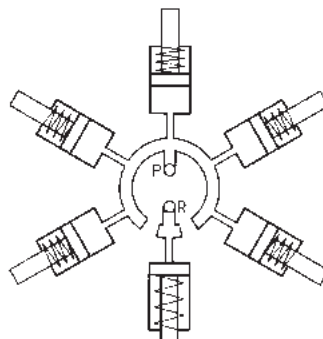
MOUNTING: Firmly fasten either the top or bottom half of the coupling using the tapped mounting holes provided. Use a floating reaction bar to prevent the other half from rotating. Mount at the center of rotation, either above, below, or on the rotary table.

SPECIALS: For additional stations or special features, please contact factory. Possibilities include:

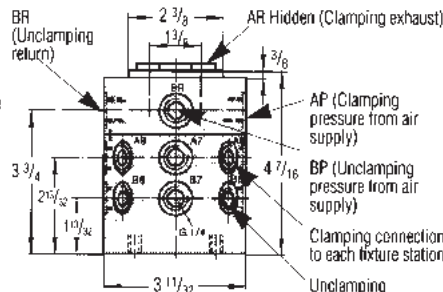
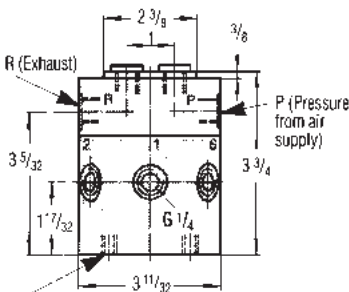
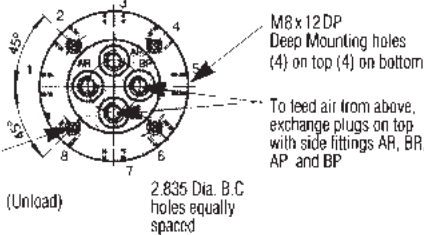
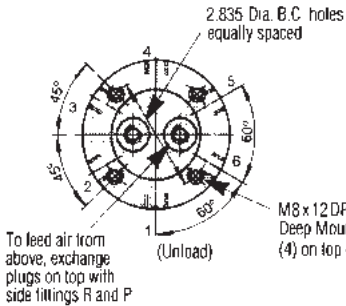
1. Any number of stations
2. Multiple load stations (2 or more)
 - Controlled independently or together
 - Side by side, opposite, or at any other orientation



Single Acting



Double Acting



Bottom connections supply to each fixture station (1/4 BSPF Port, 1/4 BSPF male to 1/4 NPT adapter supplied. Ingestion of pipe dope or Teflon tape may cause malfunction or damage to valve)

Type Clamp	Single-Acting	Double-Acting
Max. Operating Pressure (psi)	145	145
Part No., 5 Station	CLR-9295-601-V	CLR-9295-602-V
Part No., 2, 3, 6 Station	CLR-9296-601-V	CLR-9296-602-V
Part No., 7 Station	CLR-9297-601-V	CLR-9297-602-V
Part No., 4, 8 Station	CLR-9298-601-V	CLR-9298-602-V

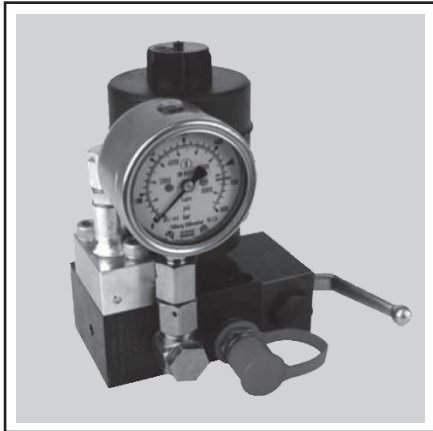


Carr Lane Roemheld Mfg. Co.

Sales — Phone (314) 647-6200 Fax (314) 647-5736
Engineering — Phone 1-800-827-2526 Web roemheld-usa.com

Pallet Decouplers

7250 psi max
Single acting



Single Acting

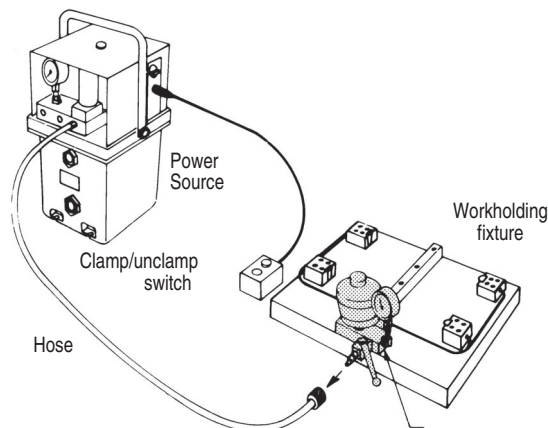
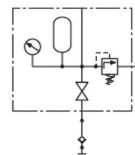
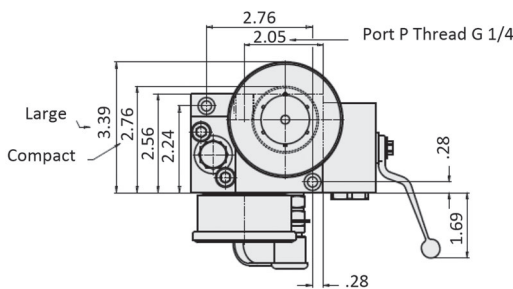
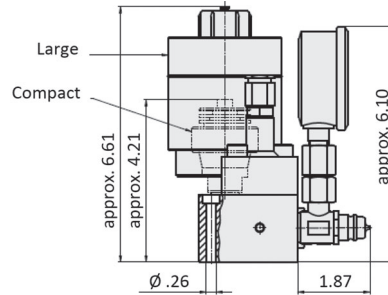
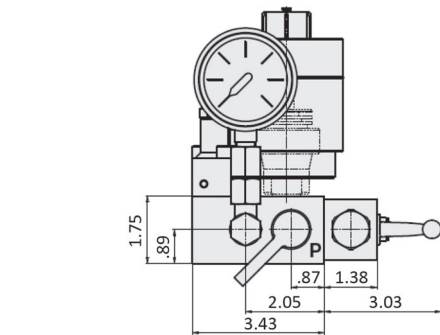
- Allows disconnecting a single-acting fixture from its power source before machining
- Compact assembly mounts easily on fixture (lay gauge flat for an even lower profile)
- Ideal for pallets and rotating fixtures where a fluid feed line is impractical
- Decoupler includes shutoff valve, quick disconnect, accumulator, pressure gauge, and pressure-relief valve
- Do not use NPT fittings

POWER UNIT: Any standard single-acting power unit can be used with this pallet decoupler.

OPERATION:

1. Remove protective cap from male quick disconnect on decoupler. Clean coupling components if necessary.
2. Connect hydraulic hose, with female quick disconnect, to the pallet decoupler. The power unit should be in unclamped mode (depressurized) before connection.
3. Open shutoff valve on decoupler to unclamp fixture.
4. After unloading and reloading fixture, actuate power unit to clamp.
5. After pressure gauge shows proper clamping pressure, close shutoff valve on decoupler.
6. Switch power unit to unclamped mode.
7. Disconnect hose and replace protective cap on male quick disconnect. Hose can be connected to optional safety support while not in use.

SAFETY FEATURES: Pallet decouplers include an accumulator to compensate for pressure changes due to temperature variations. Important: use pallet decouplers only with Roemheld components, because all system components must be zero leakage. These decouplers are equipped with a pressure-relief valve to protect the fixture and the accumulator from extreme temperature increases. An optional safety support with a limit switch can be used to hold the hydraulic hose after uncoupling, to ensure that the fixture is disconnected before moving.



Accumulator Size	Compact	Large
Maximum operating pressure (psi)	7250	7250
Minimum operating pressure (psi)	1800	1800
Accumulator volume at 7250 psi (cu. in.)	0.6	3.4
Accumulator volume at 1800 psi (cu. in.)	0.16	0.9
Accumulator gas preload (psi)	1450	1450
Weight (lbs)	8.4	12.7
Part No., Decoupler	CLR-9425-012-PD	CLR-9425-011-PD
Part No., Female Disconnect	CLR-9384-106-F	
Part No., Safety Support	CLR-0942-001-PDA	



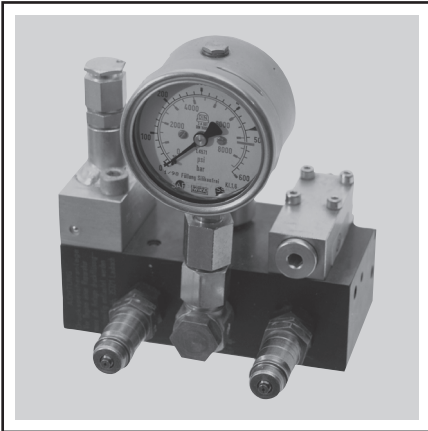
ROEMHELD
HILMA ■ STARK

Carr Lane Roemheld Mfg. Co.

Sales — Phone (314) 647-6200 Fax (314) 647-5736
Engineering — Phone 1-800-827-2526 Web roemheld-usa.com

Pallet Decouplers

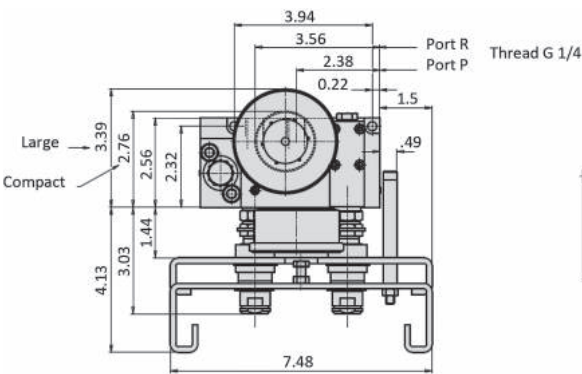
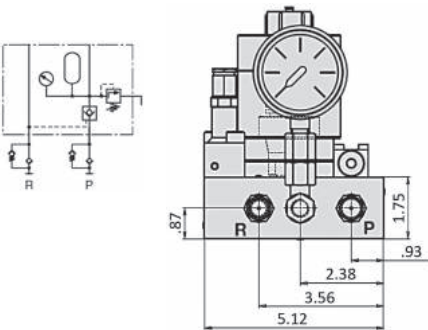
7250 psi max
Single or double acting



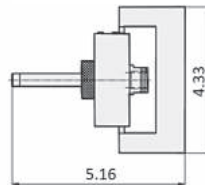
Single Acting or Double Acting with Automatic Shutoff

- Allows disconnecting a single-acting fixture, a double-acting fixture, or a fixture with several individual clamping valves from its power source before machining
- Automatic shutoff using a pilot-operated check valve...no manual shutoff valve required!
- Compact assembly mounts easily on fixture
- Ideal for pallets and rotating fixtures where a fluid feed line is impractical
- Decoupler includes pilot-operated check valve, quick disconnects, accumulator, pressure gauge, and pressure-relief valve

POWER UNIT: A double-acting power unit with a four-button control switch (B1, B2, B3, B4) is required to use this pallet decoupler for either a single-acting fixture or a double-acting fixture. The power unit provides automatic shutoff capability, via the decoupler's pilot-operated check valve, and allows depressurizing both pressure hoses simultaneously for uncoupling. See table below for power-unit part number. This pallet decoupler can also be used where clamping is controlled by individual clamping valves on the fixture (3-way valves for single acting or 4-way valves for double acting). In that application, one constant-pressure hose and one return hose are connected to the decoupler, so any standard single-acting power unit can be used.



Female Disconnect Double Coupler
(order separately)



OPERATING SEQUENCE FOR UNCLAMPING/CLAMPING:

A) SINGLE-ACTING CYLINDERS

Operating sequence for **unclamping** with coupling for single-acting cylinders:

- 1) Remove dust cap and clean coupling parts, if necessary.
- 2) Connect coupler of quick-disconnect coupling in depressurized mode.
- 3) Open high-pressure shut-off valve.

Operating sequence for **clamping** with coupling unit for double-acting cylinders.

- 1) Coupler of quick-disconnect coupling is coupled and high-pressure shut-off valve is opened.
- 2) Actuate power unit until pressure gauge shows required clamping pressure.
- 3) Shut high-pressure shut-off valve.
- 4) Set pressure generator to unclamping position.
- 5) Disconnect coupler of quick-disconnect coupling and put into a safety support, if necessary.
- 6) Attach dust cap to coupling nipple and coupler.

B) DOUBLE-ACTING CYLINDERS

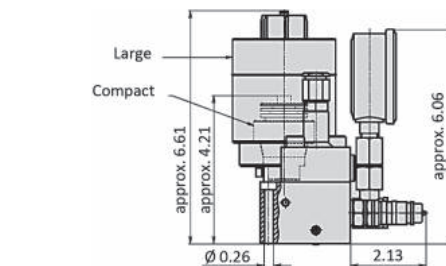
Operating sequence for **unclamping** with coupling unit for double-acting cylinders:

- 1) Remove dust cap and clean coupling parts, if necessary.
- 2) Connect multi-coupler in depressurized mode: For the purpose switch selector switch to "**couple**."
- 3) Switch selector switch to "**unclamp**."

Operating sequence for **clamping** with coupling unit for double-acting cylinders.

- 1) Multi-coupler is coupled.
- 2) Switch selector switch to "**clamp**." After pressure build up, the green lamp is signaled.
- 3) Set multi-coupler to depressurized mode: For the purpose switch selector switch to "**couple**."
- 4) Disconnect multi-coupler and put it into a safety support, if necessary.
- 5) Attach dust cap to coupling nipple and coupler.

SAFETY FEATURES: Pallet decouplers include an accumulator to compensate for pressure changes due to temperature variations. Important: use pallet decouplers only with **Roemheld** components, because all system components must be zero leakage. These decouplers are equipped with a pressure-relief valve to protect the fixture and the accumulator from extreme temperature increases. An optional safety support with a limit switch can be used to hold the double coupler after uncoupling, to ensure that the fixture is disconnected before moving.



Accumulator Size	Compact	Large
Maximum operating pressure (psi)	7250	7250
Minimum operating pressure (psi)	1800	1800
Accumulator volume at 7250 psi (cu. in.)	0.6	3.4
Accumulator volume at 1800 psi (cu. in.)	0.16	0.9
Accumulator gas preload (psi)	1450	1450
Weight (lbs)	9.6	13.5
Part No., Decoupler	CLR-9425-022-PD	CLR-9425-021-PD
Part No., Female Disconnect Double Coupler	CLR-9425-102-PDA	
Part No., Safety Support	CLR-0942-002-PDA	
Electric Power Unit, 7500 psi, 460V	CLR-939-EP	
Electric Power Unit, 7500 psi, 230V	CLR-839-EP	
Electric Power Unit, 5000 psi, 460V	CLR-940-EP	
Electric Power Unit, 5000 psi, 230V	CLR-840-EP	



Carr Lane Roemheld Mfg. Co.
Sales — Phone (314) 647-6200 Fax (314) 647-5736
Engineering — Phone 1-800-827-2526 Web roemheld-usa.com



Compact



Large

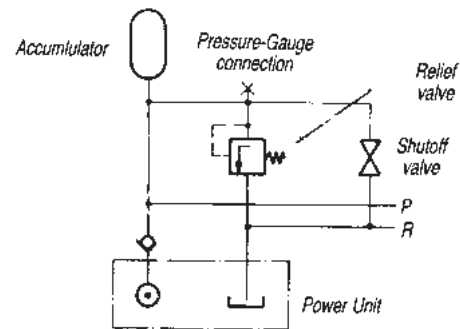
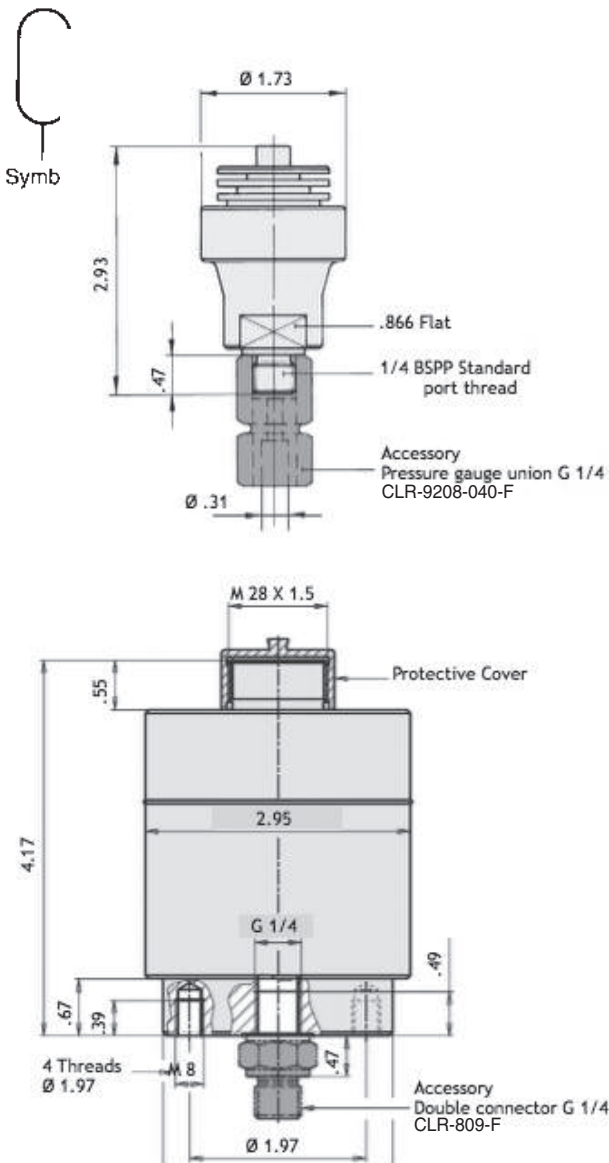
- Extremely compact accumulator, ideal for workholding applications
- Can also store fluid potential energy between working cycles
- Operates comfortably at up to 7250 psi
- Choice of large or compact size

****Do not use NPT fittings**

SPECIFICATIONS: Nitrogen-filled diaphragm type accumulator. Allowable operating temperature 15 to 175° F. Install in any position, horizontal or vertical.

DESIGN CONSIDERATIONS:

1. Use only with Roemheld components because all system components should be leakfree.
2. Since a fixture's fluid lines are sealed after disconnection from the power source, fluid pressure will actually increase if fixture temperature increases. This increase can be quite substantial: about 80 psi per 1°F. Be careful not to exceed 7250 psi at any time during the machining cycle. Always install a pressure gauge in the closed system.
3. If the possibility of exceeding 7250 psi exists, install a Relief Valve (see valves section) in the system.
4. Shield accumulator if the possibility of accidental damage exists.



Example:
Accumulator circuit with all safety devices installed.

Size	Compact	Large
Maximum operating pressure (psi)	5800	7250
Minimum operating pressure (psi)	1800	1800
Accumulator volume at 7250 psi (cu. in.)	.60	3.4
Accumulator volume at 1800 psi (cu. in.)	.16	.9
Accumulator gas preload (psi)	1450	1450
Weight (lbs)	0.7	5.0
Part No.	CLR-9606-102-PDA	CLR-9605-611



ROEMHELD
HILMA ■ STARK

Carr Lane Roemheld Mfg. Co.

Sales — Phone (314) 647-6200 Fax (314) 647-5736
Engineering — Phone 1-800-827-2526 Web roemheld-usa.com

Threaded Coupling Elements

7250 psi max



Manifold Mounted

- Very compact coupling units
- Flush mounting in uncoupled mode
- Ideal for pallet coupling with vertical guided connection
- Optional return line relief
- Two sizes with and without coupling against pressure

Depending on the version, the coupling elements can either be coupled in energized mode, or de-energized mode only. The operating mode depends on the type of sealing elements which are used and can be taken from the table below.

The max. positioning tolerances in axial and radial direction are indicated in the table below.

The sealing areas at the side of the coupling elements have to be cleansed before coupling, to ensure the tightness in coupled mode. We recommend to wash the elements and finally clean them with compressed air. Dust caps should be used as far as possible.

APPLICATION: Compared to other coupling elements the threaded coupling elements are very compact devices.

If the slide movement of the workpiece carrier is to be used or if a fixture is to be used or if a fixture is to be connected to the base plate without lines, the threaded nipple and the coupling mechanisms can be directly screwed into the parts which are to be connected. The coupling mechanisms have the advantage that they are flush-faced in uncoupled mode.

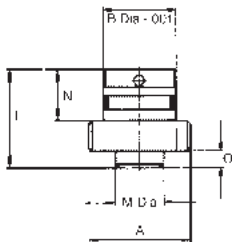
Flange-type housings are available to simplify the manufacture of the fixture mounting hole contours. In cramped conditions it is possible to make and install the flange-type housing retrospectively.

The fixture bodies which are to take up the coupling parts have to be guided .125 in. parallel before they are coupled.

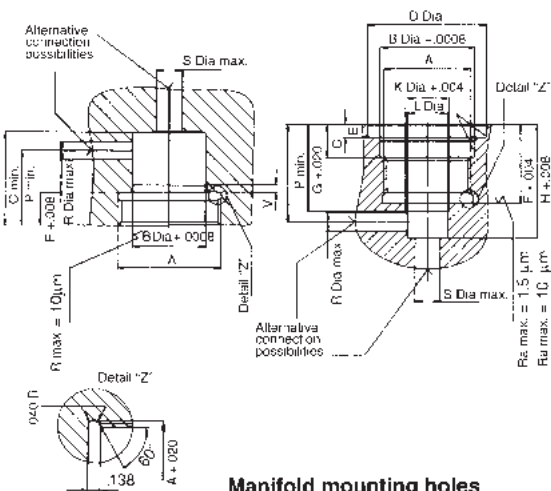
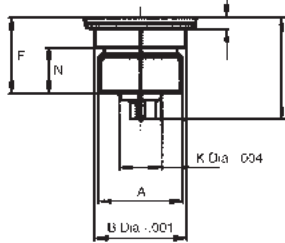
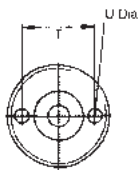
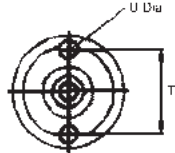
The axial forces which arise during the pressure build-up in coupled mode (see diagram) have to be absorbed outside the coupling parts.

The threaded nipples, which are installed into the tank lines, are equipped with a pre-loaded valve (VSV). The pre-loaded valve limits a possible pressure build-up in the return line, caused by internal leakage in the hydraulic clamping elements, to approx. 75 psi. In coupled mode the pre-loaded valve is not effective.

Threaded nipple



Coupling mechanism



Manifold mounting holes

Element	Coupling mechanism	Threaded nipple	Threaded nipple with VSV	Coupling mechanism		Threaded nipple with VSV
				Threaded nipple	Threaded nipple	
Nominal ID		3mm		5mm		
p. max./min.	7250/450	7250/450	7250/450	7250/450	7250/450	7250/450
A	M20x1.5	M24x1.5	M24x1.5	M24x1.5	M28x1	M28x1
B Dia	.8661	.7874	.7874	1.0236	.7874	.7874
C	.138	1.063	1.181	.354	.945	1.181
D Dia	—	—	—	1.280	—	—
E	—	—	—	.138	—	—
F	.846	.394	.394	.846	.335	.335
G	.925	—	—	.925	—	—
H	1.22	—	—	1.22	—	—
I	1.15	1.16	1.34	1.15	1.06	1.280
K Dia	.472	—	—	.472	—	—
L Dia	.441	—	—	.441	—	—
M Dia	—	.59	.268	—	.531	.531
N	.73	.65	.65	.51	.55	.77
O	—	.177	.177	.126	.177	.177
P	1.10	.827	.98	1.10	.81	.81
R Dia	.197	.197	.197	.197	.197	.197
S Dia	.276	.276	.276	.276	.276	.276
T	.630	.670	.670	.945	.787	.787
U Dia	.138	.138	.138	.197	.157	.157
V	—	2x15°	2x15°	1x15°	2x15°	2x15°
max. position tolerance (axial)	+0.020	+0.020	+0.020	+0.020	+0.020	+0.020
max. position tolerance (radial)	+/- .004	+/- .004	+/- .004	+/- .008	+/- .008	+/- .008

Can be coupled with or without pressure

Part No.	CLR-0460-725-TBC	CLR-0460-727-TBN	-	CLR-0460-735-TBC	CLR-0460-638-TBN	-
----------	------------------	------------------	---	------------------	------------------	---

Can only be coupled without pressure

Part No.	CLR-0460-730-TBC	CLR-0460-731-TBN	CLR-0460-728-TBN	CLR-0460-736-TBC	CLR-0460-740-TBN	CLR-0460-637-TBN
----------	------------------	------------------	------------------	------------------	------------------	------------------

Carr Lane Roemheld Mfg. Co.

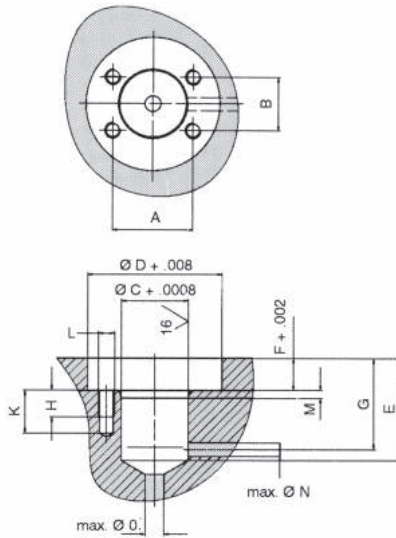
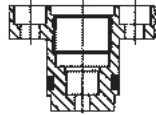
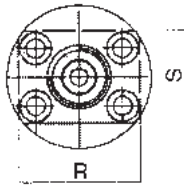
Sales — Phone (314) 647-6200 Fax (314) 647-5736

Engineering — Phone 1-800-827-2526 Web roemheld-usa.com



Threaded Coupling Elements

Optional Housing for Coupling Mechanism



Mounting dimensions

If it is not required that the housing is flush-fitting with the pallet, the D dia. can be omitted.

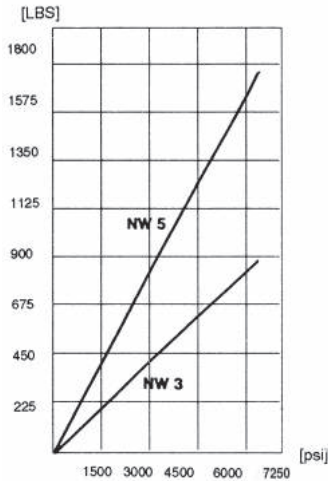
The depth dimensions are then shortened by dimension F.

In cramped installation conditions the housing can be milled according to dimensions R and S.

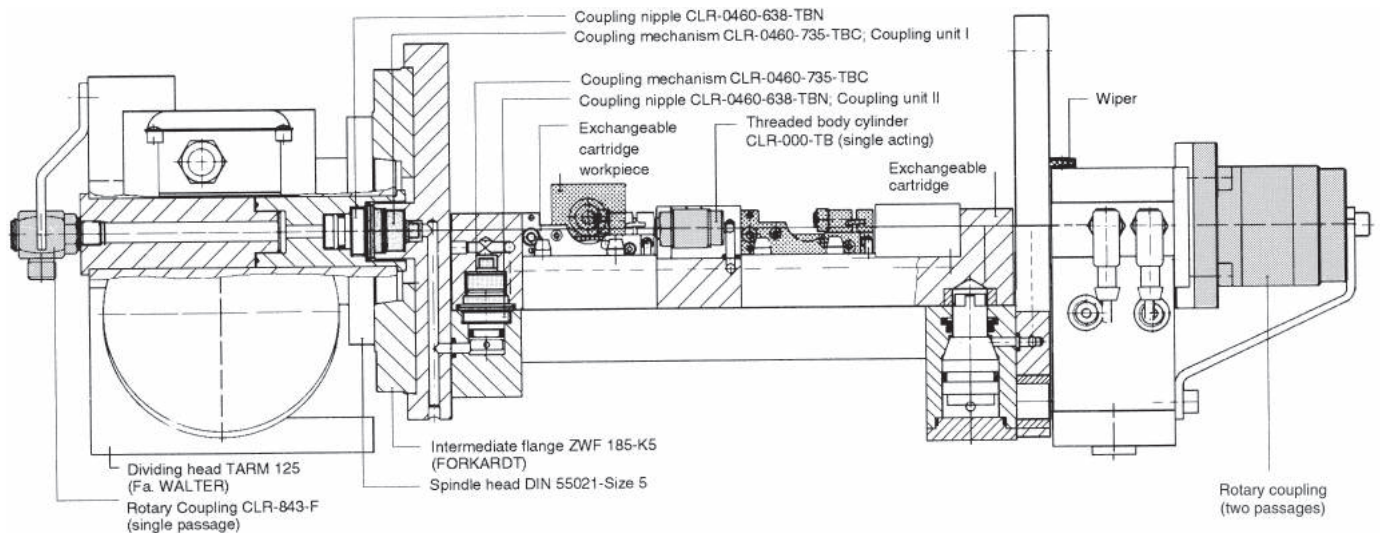
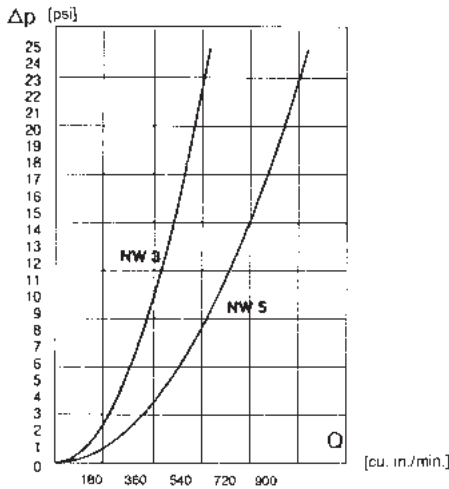
Housings for Coupling Mechanisms

Useable for	CLR-0460-725-TBC	CLR-0460-735-TBC
A	1.181	1.693
B	.787	.906
C Dia	0.9843	1.2598
D Dia	1.9685	2.5591
E	1.50	1.50
F	0.472	0.591
G min.	1.34	1.38
H	0.39	0.47
K	0.63	0.71
L	1/4-20	5/16-18
M	0.12x15°	0.12x15°
N Dia max.	0.197	0.24
P Dia	0.28	0.28
R	1.65	2.36
S	1.26	1.57
Part no.	CLR-0460-655-TBCH	CLR-0460-654-TBCH

Coupling force



Δp -Q characteristic line for kinetic viscosity from $53 \times 10^{-6} \text{m}^2/\text{s}$



Carr Lane Roemheld Mfg. Co.

Sales — Phone (314) 647-6200 Fax (314) 647-5736

Engineering — Phone 1-800-827-2526 Web roemheld-usa.com

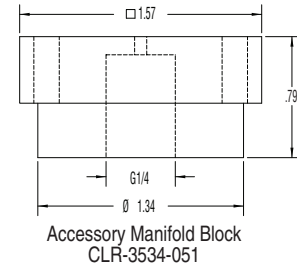
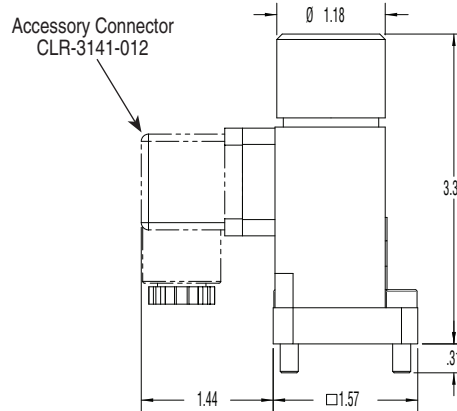
Pressure Switches ■ F9.732

Pressure Switches ■ Hydra-electrical signal converter ■ Pressure adjustment ranges ■ 75-1885 psi, 725-5075 psi & 725-7975 psi (5-130 bar, 50-350 bar & 50-550 bar)

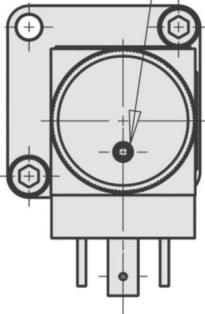


Hydra-electric pressure switches are devices which close or open electrical contacts under pressure. They are used to switch on or off pump motors, valves, machine tool interlocks or similar applications in power units, machines and installations. The switching point can be

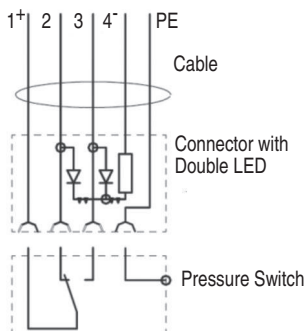
adjusted to the desired hydraulic pressure via a knurled knob. The knob can be locked in place by tightening a set screw. The installed microswitch is a change-over switch which can be connected as break or make contact. The electrical connector can be index 4 x 90°.



Locking Set Screw



Contact Layout



Switching Symbol
Connector with
Double LED
CLR-3141-802

Hydraulic characteristics			
Pressure adjustment range	725 - 7975 psi	725 - 5075 psi	75 - 1885 psi
Hysteresis	8 - 12% at 7250 - 3625 psi	8 - 12% at 4350 - 1450 psi	8 - 12% at 1450 - 435 psi
Part No., (switch only)	CLR-9730-500	CLR-9730-501	CLR-9730-502
Part No., (switch + CLR-3141-012 DIN connector)	CLR-9730-500-PS	CLR-9730-501-PS	CLR-9730-502-PS

Electrical characteristics	
Connection	DIN 43650 connector, form A
Switching element	Change-over switch
Max. load	4A at 250VAC; max 3.0A at 28VDC; min. 5mA
Code class (ED 60529)	IP 65

Technical characteristics	
Operating fluid	Hydraulic oil HLP 22, 32 and 46
Fluid temperature	max. 176 °F
Fluid connection	Manifold mounting or G1/4 with manifold block
Environmental temp.	-50 °F - 176 °F
Max. operating pressure	8700 psi
Vibration resistance	10 g (10 - 2000 Hz)
Shock resistance	30 g
Material	Housing: zinc diecasting Adjusting knob: aluminum (powder coated)
Seals	FKM
Weight	0.72 lbs
Mounting position	Any

Accessories	
Part No., Manifold block	CLR-3534-051
Part No., Connector DIN 43650, 4 x 90° indexable	CLR-3141-012
Part No., Connector with 1.97' cable	CLR-3141-928
Part No., Connector with 8.2' cable	CLR-3141-818
Part No., Connector with double LED and 9.84' cable	CLR-3141-802
Part No., Spare FKM O-ring	CLR-3001-147

Subject to change. For further details, including detailed dimensions and mounting instructions, visit roemheld-usa.com.

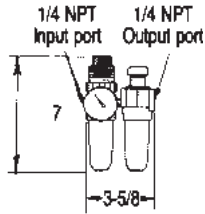


ROEMHELD
HILMA ■ STARK

Carr Lane Roemheld Mfg. Co.

Sales — Phone (314) 647-6200 Fax (314) 647-5736
Engineering — Phone 1-800-827-2526 Web roemheld-usa.com

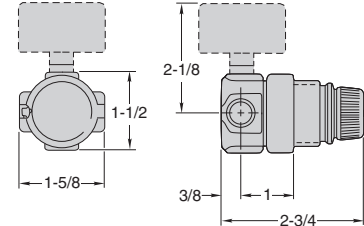
Air Filter/Regulator/Lubricator



CLR-100-FRL

Recommended for all incoming air-pressure lines (included with air power unit). Filter removes solid contaminants and water from the air supply. Lubricator provides an oil mist to lubricate the system. Regulator is essential to control input air pressure, and thereby control output fluid pressure.

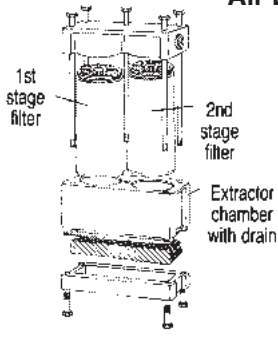
Fine Air-Pressure Regulator



CLR-200-FR

Miniature regulator for adjusting air pressure between 1 and 10 psi (30 psi gauge). Use with air-advanced work supports to finely adjust contact force. 1/4 NPT ports.

Air Extractor/Dryer



CLR-105F-AED

Effective extractor/dryer that removes air moisture and dirt to increase the life of air-powered components. Replace or clean filter/gasket every 6-12 months (part no. CLR-403-AEDA).

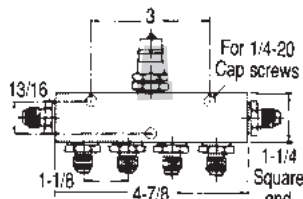
Air Flow-Control Valve



CLR-100-AFC

Simple valve to reduce air flow rates and reduce clamping speed. Release air pressure to adjust setting.

Fluid 6-Port Manifolds



CLR-106-F

(6) Male 37° fittings (1) Male quick disconnect

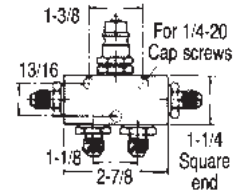
CLR-107-F

(7) Male 37° fittings

CLR-106-BP

(7) 1/4 BSPP ports, without fittings

Fluid 4-Port Manifolds



CLR-104-F

(4) Male 37° fittings (1) Male quick disconnect

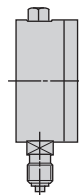
CLR-105-F

(5) Male 37° fittings

CLR-104-BP

(5) 1/4 BSPP ports, without fittings

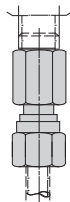
Fluid Pressure Gauges



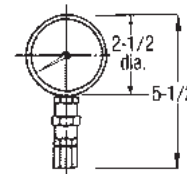
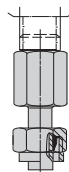
CLR-100-GA
Gauge only
without adaptor



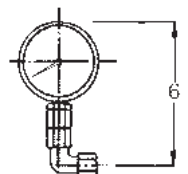
CLR-808-F
Female gauge adaptor
Compression type



CLR-9208-041-F
Male gauge adaptor
Compression type



CLR-101-GA
Gauge with
Female 37° fitting



CLR-102-GA
Gauge with Elbow
Female 37° fitting



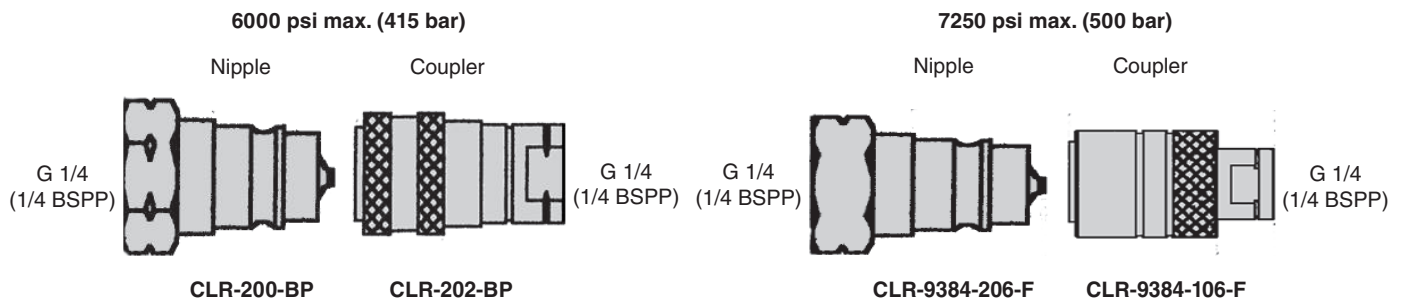
ROEMHELD
HILMA ■ STARK

Carr Lane Roemheld Mfg. Co.

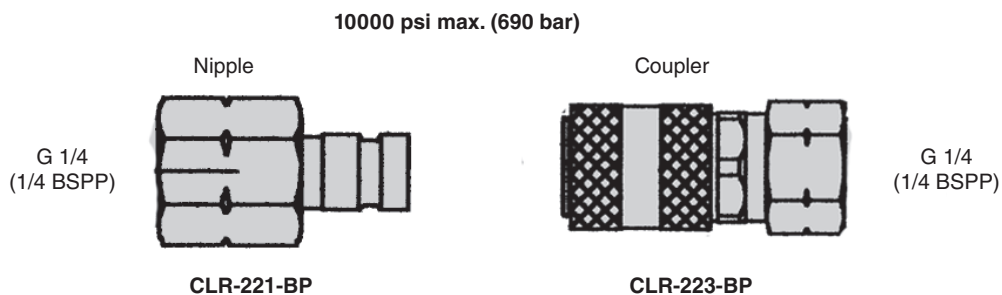
Sales — Phone (314) 647-6200 Fax (314) 647-5736
Engineering — Phone 1-800-827-2526 Web roemheld-usa.com

Quick Disconnects

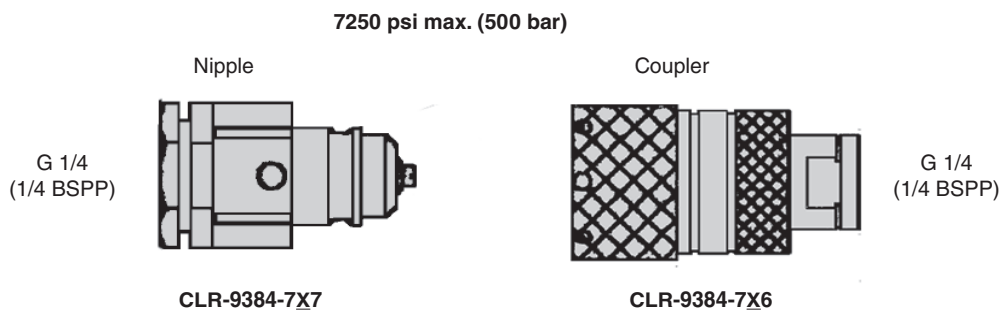
General Use



Flat Face Non-Spill



Color Coded with Alignment Pins



- X Color Code**
 1 = Black
 2 = White*
 3 = Red
 4 = Yellow
 5 = Green
 6 = Blue

Our color coded quick connects are not only easily identified by color but each color contains its own unique alignment pin so that it is physically impossible to mix them up.

* The white nipple only, 9384-727, comes with a built-in pressure relief valve. This limits possible pressure build up due to internal leakage. Relief pressure = 72 psi (5 bar).

* For G 1/4 fittings and adapters see Fitting Pages

Subject to change. For further details, including detailed dimensions and mounting instructions, visit roemheld-usa.com.



ROEMHELD
 HILMA ■ STARK

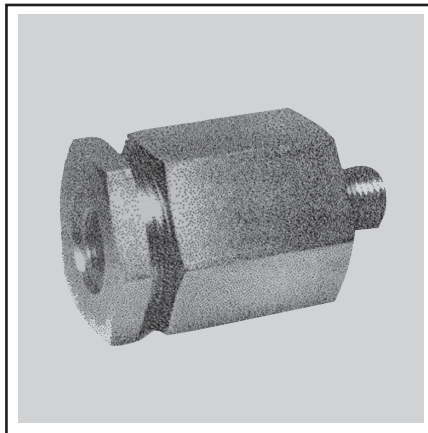
Carr Lane Roemheld Mfg. Co.
 Sales — Phone (314) 647-6200 Fax (314) 647-5736
 Engineering — Phone 1-800-827-2526 Web roemheld-usa.com

High Pressure Inline Filters

7250/3000 psi max



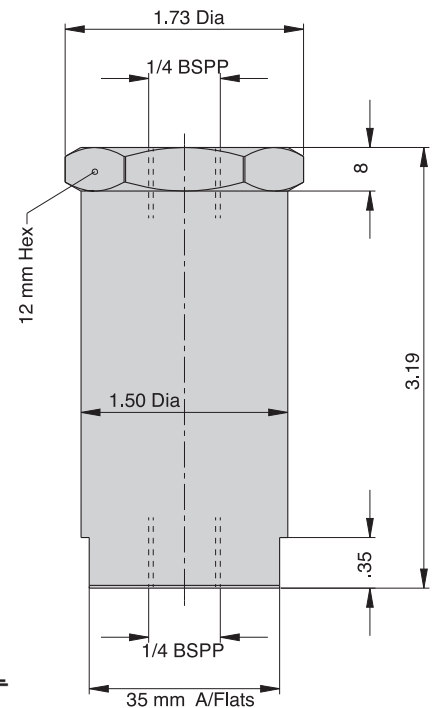
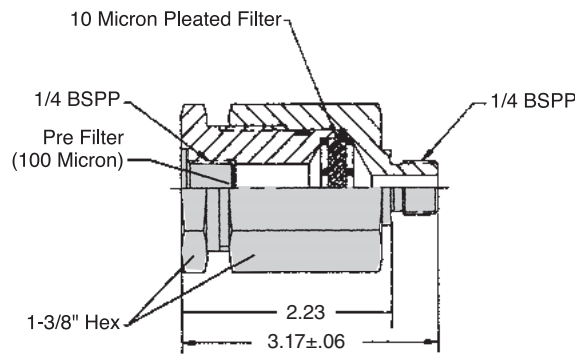
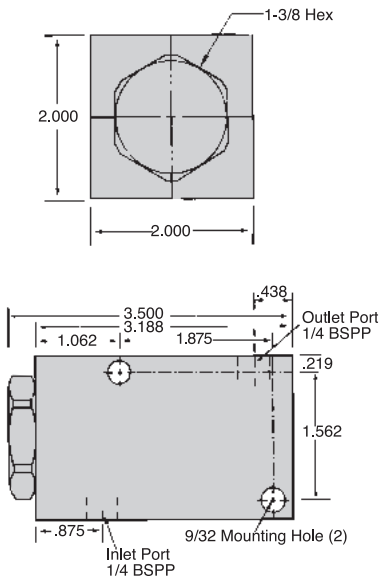
CLR-000-V



CLR-100-V



CLR-3887-087



- Replaceable filter elements
- Simple and compact in design
- Easy to install on any new or existing system
- Do not use NPT fittings

OPERATION: Install the filter in the output line of the pump to provide filtration of the oil entering the system. The oil passes through the filter assembly from inlet port to outlet port.

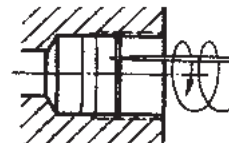
CAUTION: Do not attempt to replace filter element with pressure in system.

Recommended mounting position is with filter body vertical, plug on the bottom. This mounting position allows contaminated filter elements to be changed without removing existing piping or tubing. Simply remove the end plug, spring, and spring retainer to get at the filter element.

CAUTION: Mounting position other than as recommended...remove entire filter assembly for servicing.



Pre Filter (100 micron)



Pre Filter Installations

Max. Oper. Pressure (psi)	7250	7250	5000
Filter Rating (Nom. Filtration)	10 microns	10 microns	10 microns
Typical Flow Rate (cu. in./min.)	120*	230	120
Direction of Flow	Either direction	Either direction	Either direction
Material (Body)	Steel	Steel	Steel
Weight (lbs)	3	.75	1
Part No.	CLR-000-V	CLR-100-V	CLR-3887-087
Part No. of Filter Element	CLR-001-FIL	CLR-100-FIL	CLR-3887-061-FIL
Part No. of Pre-Filter	—	CLR-3887-009-FIL	—

*AP 35 psi across filter



Carr Lane Roemheld Mfg. Co.

Sales — Phone (314) 647-6200 Fax (314) 647-5736
Engineering — Phone 1-800-827-2526 Web roemheld-usa.com

Accessories

Fixture Hose

Standard Hose

Standard Hose with
Stainless Steel Armor Casing*



For stainless steel armor casing add "A"
at the end of the part number.
Example: CLR-HH-156-016-5J5JA

*Only available in 16 inch lengths and up.

Small-Diameter high-pressure hose perfect for workholding applications. Abrasion and chemical resistant outer cover with seamless nylon inner sleeve reinforced with synthetic yarn. Other lengths and diameters available upon request.

Nominal ID	0.156 in
Nominal OD	0.34 in
Min. bend radius	1.6 in
Burst pressure	25,520 psi
Temperature range	-40 to +150°F

Length	End Type
	#5 JIC
Part No., 9 inch	CLR-HH-156-009-5J5J
Part No., 12 inch	CLR-HH-156-012-5J5J
Part No., 15 inch	CLR-HH-156-015-5J5J
Part No., 18 inch	CLR-HH-156-018-5J5J
Part No., 24 inch	CLR-HH-156-024-5J5J

Tubing



Steel Tubing

Seamless heavy-wall tubing. C1010 steel, cold drawn, fully annealed 1/4", 5/16" and 3/8" OD available. Do not use any other type of tubing. See next page for installation guidelines and tools (CLR-300-TL flaring tool is strongly recommended).

Part No.	O.D.	Wall Thickness	Length*
CLR-TC-2500-049-060	1/4"	0.049"	60"
CLR-TC-3125-065-060	5/16"	0.065"	60"
CLR-TC-3750-065-060	3/8"	0.065"	60"

*Custom lengths available on request

Heavy-Duty Hose



High-pressure hydraulic hose. 1/4" inside diameter. Reinforced with four plies of high-tensile wire, for remarkably little expansion under pressure. Fluid required due to expansion is only .066 cu. in. per foot at 7500 psi. 5" minimum bend radius. Two female ends, 5/16 JIC 37° flare, or straight tube ends for use with compression fittings.

NOTE! 10'-0" MAXIMUM RECOMMENDED LENGTH

JIC 37° flare	Compression Type
18" CLR-18-H	CLR-18-H-CC
24" CLR-24-H	CLR-24-H-CC
30" CLR-30-H	CLR-30-H-CC
36" CLR-36-H	CLR-36-H-CC
42" CLR-42-H	CLR-42-H-CC
48" CLR-48-H	CLR-48-H-CC
60" CLR-60-H	CLR-60-H-CC
72" CLR-72-H	CLR-72-H-CC

(Special lengths available)

Hydraulic Fluid

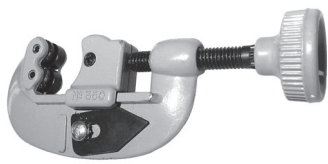


Roemheld Hydraulic oils are compounded from premium, paraffinic base oils, plus a thermally stable zinc additive system that affords improved anti-wear and hydrolytic stability while maintaining superior oxidation stability. Use only ROEMHELD oil or an exact equivalent. **FLUID MUST BE CLEAN (10 micron or better nominal filtration)** See also high pressure in-line filters.

Part No.	ISO GRADE	Container Size
CLR-22-FL	22	1 gal.
CLR-32-FL	32	1 gal.
CLR-46-FL	46	1 gal.



Tubing Installation



**CLR-100-TL
Tubing Cutter**

Cutting

1. Use only steel tubing as specified on the previous page.
2. Cut tubing with a tubing cutter or hacksaw.
3. File or sand tubing end square. End must be square to achieve a proper flare.



Drill Bit Deburring Tool
deburrs O.D. and I.D. simultaneously, adjustable chamfer, 50-200 rpm

PART NO.	For Tube O.D.	Shank Ø
CLR-202-TL	1/4"	1/4"
CLR-203-TL	5/16"	5/16"
CLR-204-TL	3/8"	3/8"

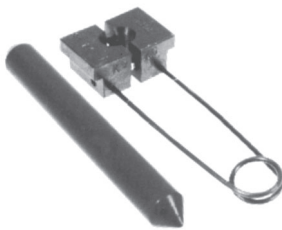
**CLR-201-TL
Hand Deburring Tool**
I.D. & O.D. 1/4" - 1-1/2" pipe



Tubing Benders

PART NO.	For Tube O.D.
CLR-401-TL	1/4"
CLR-402-TL	5/16"
CLR-403-TL	3/8"

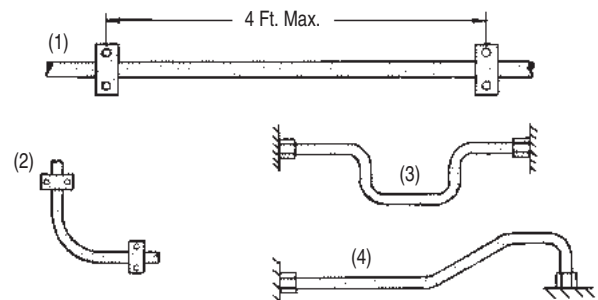
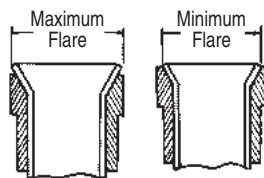
The **Roemheld** tube bender shown is a simple, effective bender we highly recommend. When bending tubing carefully avoid wrinkling, flattening or kinking the tube. Please note: complete flaring before bending.



**CLR-300-TL
Flaring Tool**

Flaring

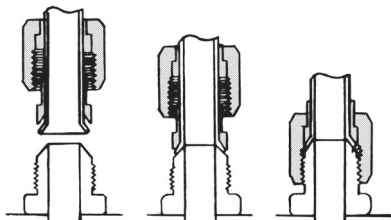
1. Place nut and sleeve over tube before flaring.
2. Place tube in flaring tool, approximately 1/8" above top of block.
3. Clamp assembled block in vise.
4. Center pin guide of flaring tool in tube.
5. Strike flaring tool 3-4 times with sharp hammer blow. Remove from block.
6. Inspect flare so that their outside diameters extend beyond the inner lip of the sleeve, but not beyond the sleeve's OD.



Installation

We recommend using tubing clamps as this will increase the life of the installation. Tubing clamps should be less than four feet apart (Figure 1) and bends should be supported also (Figure 2). Use bends as shown in Figures 3 and 4 instead of straight-line connections to prevent stressing the tubing.

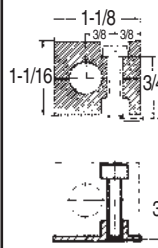
Important: Never use tubing lines as handles to lift fixtures.



Assembly

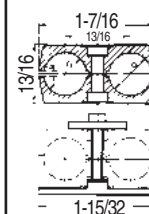
1. Slide nut and sleeve on to flared tubing end and finger tighten.
2. Finish tightening with a wrench, 1/4 to 1/2 turn.

Note: Do not over torque.



**Single Tube
Regular and Stack Mounting**

- CLR-3300-892-TA Single clamp
- CLR-3300-600-TA Single mounting plate
- CLR-3300-225-TA Mounting screw
- CLR-3300-604-TA Stack-mounting screw
- CLR-3300-335-TA Stack-mounting clip



**Twin Tubes
Regular and Stack Mounting**

- CLR-3300-891-TA Twin clamp
- CLR-3300-607-TA Twin mounting plate
- CLR-3300-609-TA Washer
- CLR-3300-225-TA Mounting screw
- CLR-3300-613-TA Stack-mounting screw
- CLR-3300-615-TA Stack-mounting clip

Subject to change. For further details, including detailed dimensions and mounting instructions, visit roemheld-usa.com.











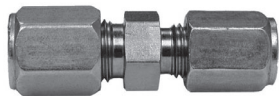



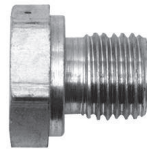



ROEMHELD
HILMA ■ STARK

Carr Lane Roemheld Mfg. Co.

Sales — Phone (314) 647-6200 Fax (314) 647-5736
Engineering — Phone 1-800-827-2526 Web roemheld-usa.com

Fittings

Hydraulic Compression Fittings (7250 psi static)														
Port Fitting - Male			Banjo Elbow			Branch Tee			Union					
														
5/16 Tubing	G 1/4	CLR-802-F												
	G 1/8	CLR-805-F												
1/4 Tubing	G 1/4	CLR-806-F	5/16 Tubing	G 1/4	CLR-803-F	5/16 Tubing	G 1/4	CLR-804-F	5/16 Tubing	CLR-701-F				
	G 1/8	CLR-826-F	1/4 Tubing	G 1/4	CLR-823-F**	1/4 Tubing	G 1/4	CLR-824-F	1/4 Tubing	CLR-721-F				
Elbow			Tee			Cross			Stand Pipe Union					
														
5/16 Tubing	CLR-702-F		5/16 Tubing	CLR-703-F		5/16 Tubing	CLR-704-F		5/16 Tubing G 1/4 CLR-9208-018-F					
1/4 Tubing	CLR-722-F*		1/4 Tubing	CLR-723-F*		1/4 Tubing	CLR-724-F*							
Nut			Sleeve			Tube Adaptor			Port Reducer					
														
5/16 Tubing	CLR-800-F		5/16 Tube	CLR-801-F		1/4 tube to	CLR-606-F		G1/4 to G1/8	CLR-3613-003-F				
1/4 Tubing	CLR-820-F		1/4 Tube	CLR-821-F		5/16 tube			G1/2 to G1/4	CLR-3613-015-F				
Air-Vent Fittings 250 psi air														
Barbed for 3/16 ID Hose			Barbed for 1/4 ID Hose			Vent Fitting			Vent Fitting - Metal Filter					
														
			M5 Port	CLR-3890-091-AF		G1/4 Port CLR-817-AF			G1/8 Port	CLR-0361-012-F				
			G1/4 Port	CLR-815-AF					G1/8 Port	CLR-806-AF		G1/4 Port	CLR-0361-000-F	
			G1/4 Port	CLR-805-AF					G1/4 Port	CLR-3890-093-AF		G1/2 Port	CLR-0361-006-F	

*Max 6600 psi

**Max 6000 psi

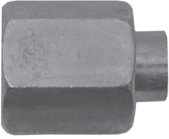

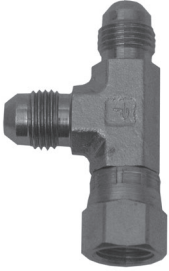

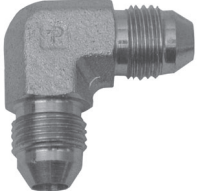


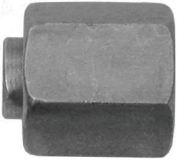

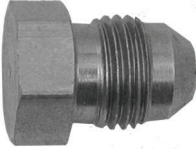







ROEMHELD
HILMA ■ STARK

Carr Lane Roemheld Mfg. Co.

Sales — Phone (314) 647-6200 Fax (314) 647-5736
Engineering — Phone 1-800-827-2526 Web roemheld-usa.com

Fittings

Hydraulic 37° Flare Fittings (7250 psi static)										
Tube End		Nut Elbow			Branch Tee			Run Tee		
										
5/16 Tubing	CLR-400-F	5/16 Tubing	CLR-402-F		5/16 Tubing	CLR-403-F		5/16 Tubing	CLR-404-F	
1/4 Tubing	CLR-420-F	1/4 Tubing	CLR-422-F		1/4 Tubing	CLR-423-F		1/4 Tubing	CLR-424-F	
Union		Elbow			Tee			Cross		
 Male										
 Female (1.75 in. Flare to Flare)										
5/16 Tubing	Male	CLR-301-F		5/16 Tubing	CLR-302-F		5/16 Tubing	CLR-304-F		
1/4 Tubing	Male	CLR-321-F		1/4 Tubing	CLR-322-F		1/4 Tubing	CLR-324-F		
5/16 Tubing	Female	CLR-401-F		5/16 Tubing	CLR-303-F		5/16 Tubing	CLR-304-F		
1/4 Tubing	Female	CLR-421-F		1/4 Tubing	CLR-323-F		1/4 Tubing	CLR-324-F		
Cap		Port Fitting Female			Tube Plug			Nut 45		
										
5/16 Tubing	CLR-501-F	5/16 Tubing	CLR-813-F*		5/16 Tubing	CLR-502-F		5/16 Tubing	CLR-406-F	
1/4 Tubing	CLR-521-F	1/4 Tubing	CLR-815-F*		1/4 Tubing	CLR-522-F		1/4 Tubing	CLR-426-F	
Banjo Elbow		Port Fitting Male			Port Plug			Double Port		
										
5/16 Tubing	CLR-814-F	5/16 Tubing	G 1/4	CLR-807-F	G 1/8 Port	CLR-3610-263		G 1/4 Port	CLR-809-F	
		5/16 Tubing	G 1/8	CLR-903-F	G 1/4 Port	CLR-810-F				
		1/4 Tubing	G 1/4	CLR-816-F*	G 1/2 Port	CLR-3610-000-F				

*Max. 6600 psi.

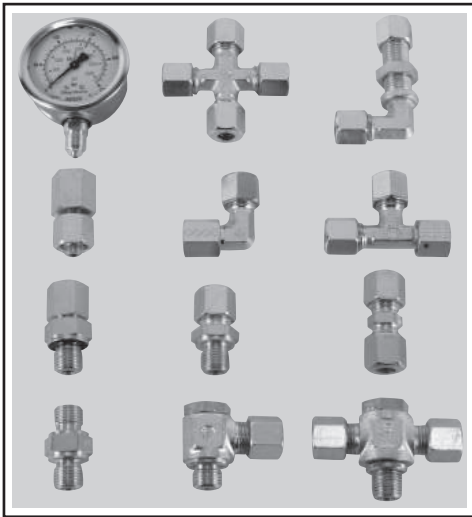


ROEMHELD
HILMA ■ STARK

Carr Lane Roemheld Mfg. Co.
Sales — Phone (314) 647-6200 Fax (314) 647-5736
Engineering — Phone 1-800-827-2526 Web roemheld-usa.com

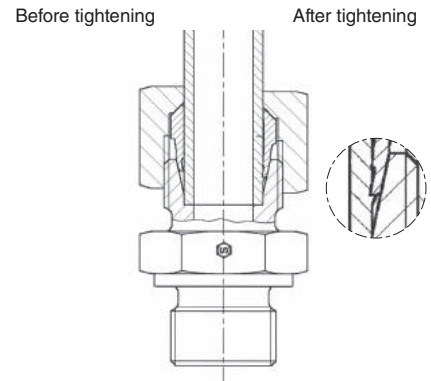
Fittings ■ Metric ■ F9.300

Fitting accessories ■ with 24° cone as per DIN EN ISO 8434-1 plug-type connectors ■ hydraulic pipes ■ pipe clamps

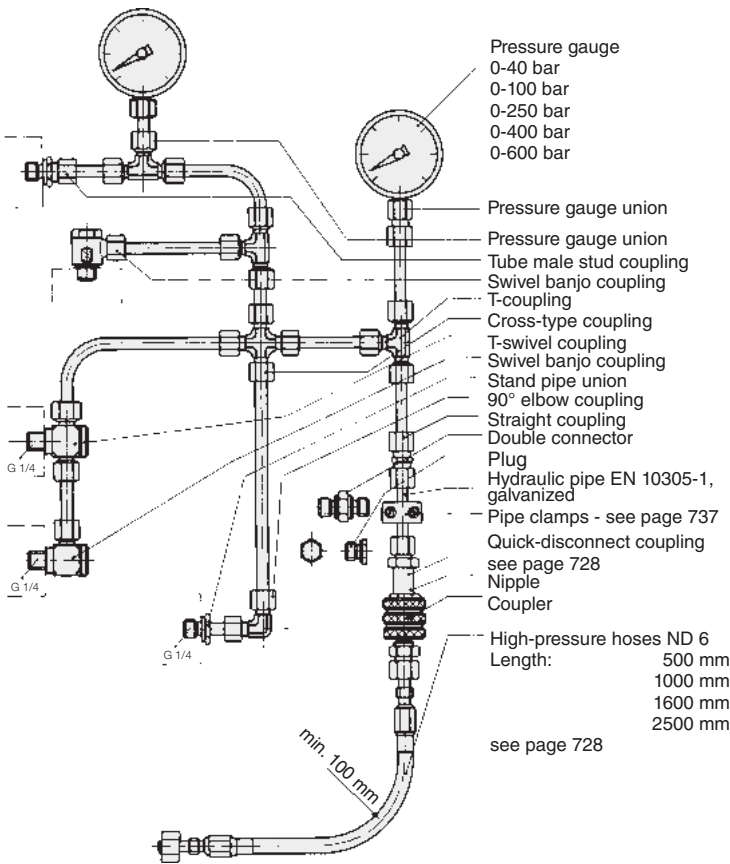


- Worldwide spread high-pressure fitting system with quadruple safety
- Leak-free connection of piping and components
- Positive and safe connection by defined and limited digging into the hydraulic pipe
- Retightening of the union nut is not required
- The fitting can be disconnected and connected again as often as required.

Tube male stud coupling with cutting ring and union nut

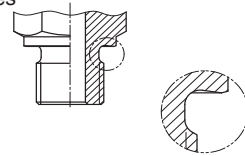


Application example



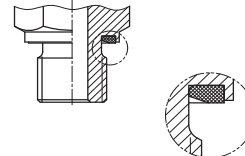
Screwed plug with knife edge

Suitable for high temperatures and aggressive media.
DIN 3852 T2 form B and EN ISO 1179-4



Screwed plug with elastic sealing

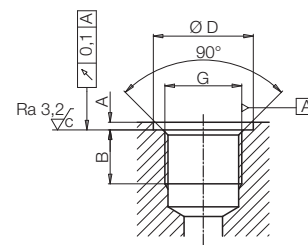
DIN 3852 T11 form E and EN ISO 1179-2
NBR: -35°C.....+ 100°C (series)
FKM: -25°C.....+ 200°C (available)



Suitable for soft mating materials (Alu).
High precision sealing (no sweating).
No retightening required.
Unlimited repeated mounting.
Interchangeable sealing ring.

Tapped hole with Whitworth pipe thread

EN ISO 1179-1 counterbore form N



Subject to change. For further details, including detailed dimensions and mounting instructions, visit roemheld-usa.com.




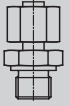
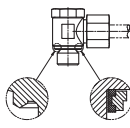
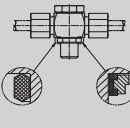






ROEMHELD
HILMA ■ STARK

Carr Lane Roemheld Mfg. Co.

Sales — Phone (314) 647-6200 Fax (314) 647-5736
Engineering — Phone 1-800-827-2526 Web roemheld-usa.com

Fittings ■ Metric ■ F9.300

Fitting accessories ■ with 24° cone as per DIN EN ISO 8434 Plug-type connectors ■ hydraulic pipes ■ pipe clamps

Description	Pipe Ø	Screw-in threads	Type	PN [bar]	Part no.	Type	PN [bar]	Part no.
	6	G1/8	D6L	250	9206-003	D6L ED	250	9206-028
	8	G1/8	D8L G1/8	250	9208-034	D8L G-1/8 ED	250	9208-075
	8	G1/4	D8L	250	9208-003	D8L ED	250	9208-131
	10	G1/4	D10L	250	9210-004	D10L ED	250	9210-028
	15	G1/2	D15L	250	9215-003	D15L ED	250	9215-033
	8	G1/8	D8S G1/8	400	9208-116	D8S G-1/8 ED	500	9208-164
	8	G1/4	D8S	400	9208-102	D8S ED	630	9208-132
	10	G3/8	D10S	400	9210-104	D10S ED	630	9210-029
	16	G1/2	D16S	400	9216-004	D16S ED	500	9216-021
	8	G1/4	-	-	-	DCD8L	250	9208-017
	10	G1/4	-	-	-	DCD10L	250	9210-109
	8	G1/4	-	-	-	DCD8S	630	9208-018
	10	G3/8	SVH10SR	315	9210-105	DSVK10SROKDS	400	9210-149
	16	G1/2	SVH16SR	250	9216-005	DSVK16SROKDS	315	9216-033
	6	G1/8	SVH6LR	250	9206-004	DSVK6LROKDS	250	9206-044
	8	G1/4	SVH8LR	250	9208-004	DSVK8LROKDS	250	9208-080
	10	G1/4	SVH10LR	250	9210-015	DSVK10LROKDS	250	9210-038
	15	G1/2	SVH15LR	250	9215-004	DSVK15LROKDS	250	9215-048
	8	G1/4	SVH8SR/SA	400	9208-108	SVH8SR ED	500	9208-177
	10	G3/8	DSVQ10SR/SA	400	9208-115	DSVQ8SR ED	500	9208-178
	16	G1/2	DSVQ16SRO	315	9216-007	DSVQ16SROKDS	315	9216-035
	6	G1/8	DSVQ6LRO	250	9206-019	DSVQ6LROKDS	250	9206-048
	8	G1/4	DSVQ8LRO	250	9208-120	DSVQ8LROKDS	250	9208-169
	10	G1/4	DSVQ10LRO	250	9210-006	DSVQ10LROKDS	250	9210-154
	15	G1/2	DSVQ15LRO	250	9215-030	DSVQ15LROKDS	250	9215-050
	8	G1/4	DSVQ8SR/SA	400	9208-115	DSVQ8SR ED	500	9208-178
	10	G3/8	GWR 1/2-1/4	315	3613-015	GWR 1/2 ED-1/4	400	3613-055
	16	G1/2	GWR 1/2-3/8	315	3613-018	GWR 1/2 ED-3/8	400	3613-074
	-	G1/8	VSDG 1/8 A	400	3610-047	VSG 1/8 ED	400	3610-158
	-	G1/4	VSDG 1/4 A	400	3300-821	VSG 1/4 ED	400	3610-191
	-	G3/8	VSDG 3/8 A	400	3610-100	VSG 3/8 ED	400	3610-099
	-	G1/2	VSDG 1/2 A	400	3610-045	VSG 1/2 ED	400	3610-098
	-	G1/8	SW 14x7 high	400	-	SW 14x7 high	500	3610-263
	-	G1/4	SW 19x8 high	400	-	SW 19x8 high	500	3610-264
	-	G1/2	SW 27x11 high	400	-	SW 27x11 high	500	3610-265
	-	G3/8	GWR 3/8-1/4	400	3613-016	GWR 3/8 ED-1/4	400	3613-073
	-	G1/4	GWR 1/2-1/4	315	3613-015	GWR 1/2 ED-1/4	400	3613-055
	-	G1/4 - G1/4	-	400	3610-037	-	500	3610-261
	-	G1/4 - G1/2	-	400	3610-062	-	500	3610-262
	-	G1/8	ED10X1-G1/8	630	3002-253	ED10X1-G1/8	630	3002-253
	-	G1/4	ED14X1,5-G1/4	630	3002-142	ED14X1,5-G1/4	630	3002-254
	-	G3/8	ED G3/8	630	3002-256	ED G-3/8	630	3002-257
	-	G1/2	ED G1/2	500	3002-258	ED G-1/2	500	3002-259
	-	G1/8	KDS10	250	3002-260	KDS10	250	3001-766
	-	G1/4	KDS14	400	3002-261	KDS14	400	3001-765
	-	G3/8	KDS16	400	3002-262	KDS16	400	3002-323
	-	G1/2	KDS22	315	3002-263	KDS22	315	3002-324

Subject to change. For further details, including detailed dimensions and mounting instructions, visit roemheld-usa.com.




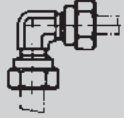
Carr Lane Roemheld Mfg. Co.
Sales — Phone (314) 647-6200 Fax (314) 647-5736
Engineering — Phone 1-800-827-2526 Web roemheld-usa.com

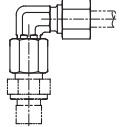
Fittings ■ Metric ■ F9.300

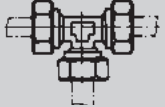
Fitting accessories ■ with 24° cone as per DIN EN ISO 8434

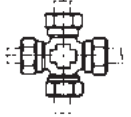
Plug-type connectors ■ hydraulic pipes ■ pipe clamps


Description	Pipe Ø	Union nut	Type	PN [bar]	Part no.
Straight coupling 	6	M 12x1.5	E6L	250	9206-007
	8	M 14x1.5	E8L	250	9208-007
	10	M 16x1.5	E10L	250	9210-007
	15	M 22x1.5	E15L	250	9215-007
	8	M 16x1.5	E8S	630	9208-106
	10	M 18x1.5	E10S	630	9210-108
	16	M 24x1.5	E16S	500	9216-008

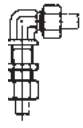
Description	Pipe Ø	Union nut	Type	PN [bar]	Part no.
90° elbow coupling 	6	M 12x1.5	K6L	250	9206-008
	8	M 14x1.5	K8L	250	9208-008
	10	M 16x1.5	K10L	250	9210-008
	15	M 22x1.5	K15L	250	9215-008
	8	M 16x1.5	K8S	630	9208-107
	10	M 18x1.5	K10S	630	9210-112
	16	M 24x1.5	K16S	500	9216-009


Description	Pipe Ø	Union nut	Type	PN [bar]	Part no.
Standpipe elbow with sealing cone 	8	M 14x1.5	KED8L	250	9208-038
	8	M 16x1.5	KED8S	630	9208-036


Description	Pipe Ø	Union nut	Type	PN [bar]	Part no.
T-coupling 	6	M 12x1.5	Q6L	250	9206-009
	8	M 14x1.5	Q8L	250	9208-009
	10	M 16x1.5	Q10L	250	9210-009
	15	M 22x1.5	Q15L	250	9215-009
	8	M 16x1.5	Q8S	630	9208-108
	10	M 18x1.5	Q10S	630	9210-113
	16	M 24x1.5	Q16S	500	9216-010


Description	Pipe Ø	Union nut	Type	PN [bar]	Part no.
Cross-type coupling 	6	M 12x1.5	KV6L	250	9206-011
	8	M 14x1.5	KV8L	250	9208-010
	10	M 16x1.5	KV10L	250	9210-010
	15	M 22x1.5	KV15L	250	9215-010
	8	M 16x1.5	KV8S	630	9208-109
	10	M 18x1.5	KV10S	630	9210-114
	16	M 24x1.5	KV16S	400	9216-011

Description	Pipe Ø	Union nut	Type	PN [bar]	Part no.
Straight bulk head fitting 	6	M 12x1.5	R6L	250	9206-026
	8	M 14x1.5	R8L	250	9208-023
	10	M 16x1.6	R10L	250	9210-117
	15	M 22x1.5	R15L	250	9215-022
	8	M 16x1.5	R8S	630	9208-117
	10	M 18x1.5	R10S	630	9210-119
	16	M 24x1.5	R16S	500	9216-017

Description	Pipe Ø	Union nut	Type	PN [bar]	Part no.
90° elbow bulk head fitting 	6	M 12x1.5	U6L	250	9206-014
	8	M 14x1.5	U8L	250	9208-029
	10	M 16x1.5	U10L	250	9210-110
	15	M 22x1.5	U15L	250	9215-018
	8	M 16x1.5	U8S	630	9208-018
	10	M 18x1.5	U10S	630	9210-027
	16	M 24 x 1.5	U16S	500	9216-020

Description	Pipe Ø	Union nut	Type	PN [bar]	Part no.
Check valve, poppet type 	6	M 12 x 1.5	RWD6L	250	9206-012
	8	M 14 x 1.5	RWD8L	250	9208-012
	10	M 16 x 1.5	RWD10L	250	9210-012
	15	M 22 x 1.5	RWD15L	250	9215-011
	8	M 16 x 1.5	RWD8S	400	9208-111
	10	M 18 x 1.5	RWD10S	400	9210-116
	16	M 24 x 1.5	RWD16S	400	9216-012

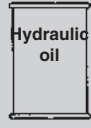
Description	Pipe Ø	Union nut	Type	PN [bar]	Part no.
Union nut 	6	M 12x1.5	m6L	250	9206-001
	8	M 14x1.5	m8L	250	9208-001
	10	M 16x1.5	m10L	250	9210-002
	15	M 22x1.5	m15L	250	9215-001
	8	M 16x1.5	m8S	630	9208-100
	10	M 18x1.5	m10S	630	9210-102
	16	M 24x1.5	m16S	500	9216-002

Description	Pipe Ø	Type	PN [bar]	Part no.
Cutting ring 	6	s6L	250	9206-002
	8	s8L/S	250	9208-101
	10	s10L/S	250	9210-103
	15	s15L	250	9215-002
	8	s8L/S	630	9208-101
	10	s10L/S	630	9210-103
	16	s16S	500	9216-003

Description	Pipe Ø	Type	PN [bar]	Part no.
Blanking plug 	6	VB6S	630	9206-023
	8	VB8S	630	9208-039
	10	VB10S	630	9210-024
	15	VB15L	250	9215-031
	16	VB16S	500	9216-016

Description	Pipe Ø	PN [bar]	Part no.
Hydr. pipe galvanized as per EN 10305-1 	8x1	250	3128-112
	8x1.5	400	3128-113
	8x2	500	3128-212
	10x1	200	3128-114
	15x1.5	200	3128-119

Available lengths 1.5 or 3.0 m

Description	Type	Volume	Part no.
Hydraulic oil as per DIN 51524-2 (max. 120 °C) 	HLP 22	1 L	9892-001
		5 L	9893-001
		10 L	9894-001
	HLP 32	1 L	9895-001
		5 L	9891-001
		10 L	9899-001
	HLP 46	1 L	9896-001
		5 L	9897-001
		5 L	9898-001
		10 L	9898-001

Description	Volume	Part no.
Fire-resistant hydraulic liquids Oemeta HF-Du (max. 200 °C)	1 L	9892-002
	5 L	9893-002
	10 L	9894-002

Subject to change. For further details, including detailed dimensions and mounting instructions, visit roemheld-usa.com.



Carr Lane Roemheld Mfg. Co.

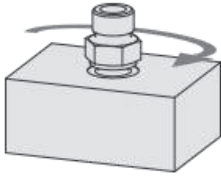
Sales — Phone (314) 647-6200 Fax (314) 647-5736
Engineering — Phone 1-800-827-2526 Web roemheld-usa.com

Fittings ■ Metric ■ F9.300

Fitting accessories ■ with 24° cone as per DIN EN ISO 8434

Plug-type connectors ■ hydraulic pipes ■ pipe clamps

Mounting torques for tube male stud couplings and swivel banjo couplings



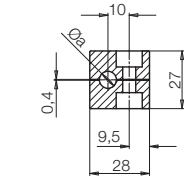
Body material: Steel lubricated
Aluminum -15%

Series	Fitting Pipe OD	Thread	Mounting torque [Nm]			
			Screwed plug with		Swivel banjo couplings	
			Knife edge	Sealing ring	Knife edge	KDS ring
L	6	G1/8	18	18	18	18
L	8	G1/4	35	35	45	40
L	10	G1/4	35	35	45	40
L	15	G1/2	140	90	120	90
S	8	G1/4	55	55	45	40
S	10	G3/8	90	80	70	65
S	16	G1/2	130	115	120	110

Single pipe clamps

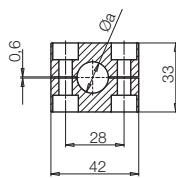


Material: polyamide
Depth: 30 mm
Fixing Screws: M6



Clamp Size 1

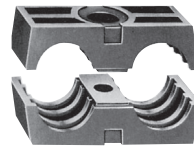
Pipe Ø a (mm)	Part no.
8	3300-892
10	3300-893
12	3300-895



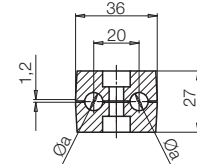
Clamp Size 2

Pipe Ø a (mm)	Part no.
15	3300-897
16	3300-890

Twin clamp



Material: polyamide
Depth: 30 mm
Fixing Screws: M6

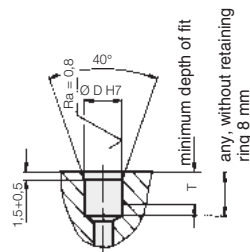
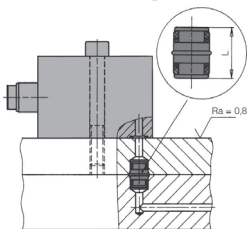


Pipe Ø a (mm)	Part no.
8	3300-891
10	3300-449

Plug-type connectors with FKM sealings for plates and piping strips (max. operating pressure 500 bar)

Short version for connections without space

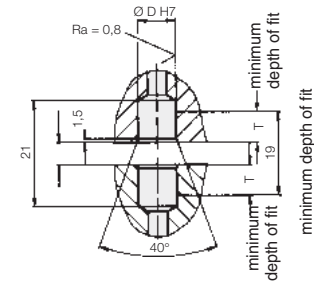
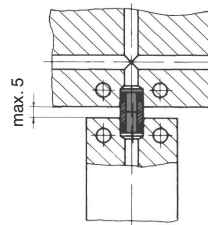
Installation example



Note: max. mismatch of bore holes: short version 0.05 mm

Long version for connections with space up to 5 mm

Installation example



Note: max. mismatch of bore holes: short version 0.1 mm

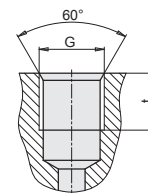
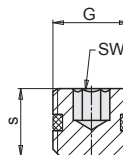
ND	Ø D H7	L	T	Part No.
3	8	12	5.5	9210-145
5	10	14	7	9210-132

ND	Ø D H7	L	T	Part No.
5	10	19	7	9210-127

Screw plug with threaded sealing ring (max. operating pressure 500 bar)

G	G1/8	G1/4
S (mm)	8.5	12
T (mm)	8.5	12.5
SW (mm)	4	6
Part No.	0361-986	0361-987
Spare O-ring	3001-748	3000-102

Porting details



Subject to change. For further details, including detailed dimensions and mounting instructions, visit roemheld-usa.com.



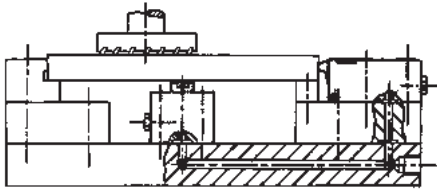
ROEMHELD
HILMA ■ STARK

Carr Lane Roemheld Mfg. Co.

Sales — Phone (314) 647-6200 Fax (314) 647-5736
Engineering — Phone 1-800-827-2526 Web roemheld-usa.com

Manifold Mounting

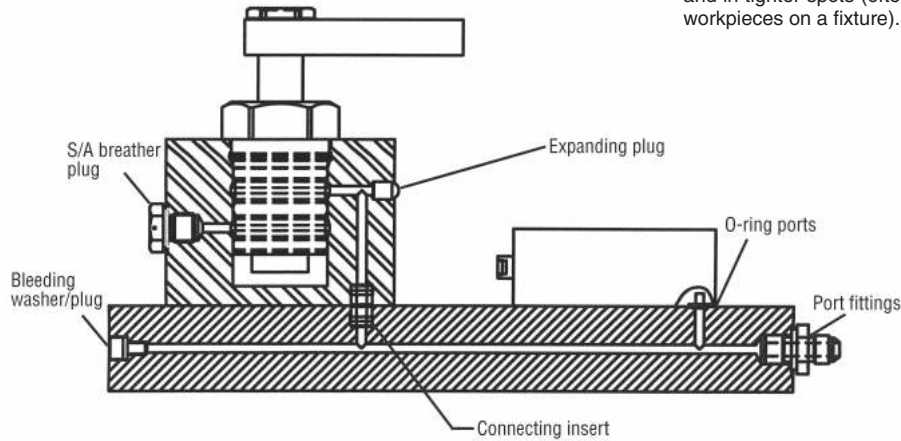
Benefits



- Eliminates tubing or hoses from working area
- Very close mounting of clamps
- Only one fluid feed line
- No traps for chips due to “clean” design
- Do not use NPT fittings

Many Roemheld components can be manifold mounted... powered directly through fluid passages drilled in a fixture. This unique mounting capability eliminates tubing and hoses in the working area, for clean fixtures without chip traps. Even fluid passages longer than your drilling capacity are possible by drilling shorter passages in separate blocks, then connecting them using connecting inserts.

Perhaps most important, manifold mounting lets you put clamps and work supports closer together and in tighter spots (often letting you place more workpieces on a fixture).

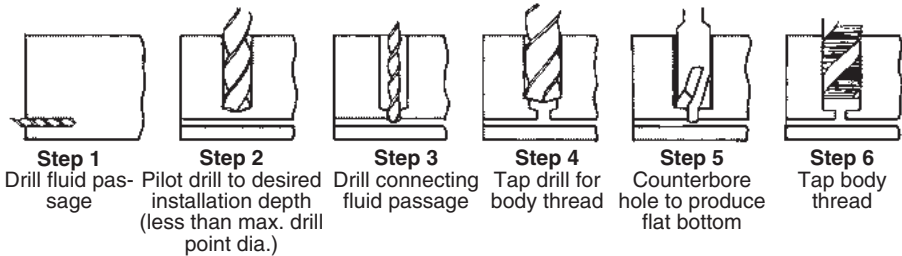


Installation Steps

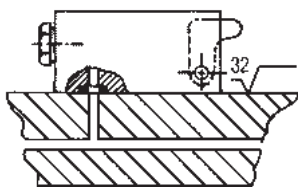
Installing Threaded Body Components

For easiest installation, we recommend the following procedure (Step 1 through 6). For proper sealing, the tapped hole's bottom must be flat, with a surface finish 125 RMS or better, and perpendicular to the hole's axis. A small drill-point is allowable (see component's catalog page for dimensions). A delrin sealing washer for the hole bottom is furnished with each component. **Do not use sealing compound or teflon tape.** Part numbers to order bottoming taps:

- 1-1/4 — 16 CLR-512-TL
- 1-1/2 — 16 CLR-515-TL
- 1-7/8 — 16 CLR-518-TL



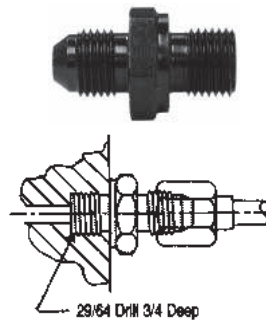
Installing Components with O-Ring Ports



Mounting surface should be ground flat with a 32 RMS or better surface finish, so that the O-ring seals properly. Torque mounting screws evenly. **Do not use sealing compound or teflon tape.**

Order Extending Clamps, Swing Clamps, and Sequence Valves by a different part number for manifold mounting (O-rings are included, and no port plugs are needed). Edge Clamps and Block Work Supports are easily converted to manifold mounting (order o-ring CLR-3000-343-SW and CLR-810-F port plug).

Port Fittings



CLR-807-F
1/4 BSPP Port Fitting
Standard port fitting found in virtually all Roemheld components. To use for custom manifolds, order special bottoming tap for installation, part number CLR-514-TL. Drill, tap (5/8-inch minimum depth) and spotface. **Do not use sealing compound or teflon tape.**

CLR-902-F
1/2-20 Port Fitting
Port fitting for custom manifolds. Install using a standard 1/2-20 tap. Drill, tap (5/8-inch minimum depth) and spotface. **Do not use sealing compound or teflon tape.**

1/4 BSPP THDS - 5/8 Deep

Carr Lane Roemheld Mfg. Co.

Sales — Phone (314) 647-6200 Fax (314) 647-5736
Engineering — Phone 1-800-827-2526 Web roemheld-usa.com



ROEMHELD
HILMA ■ STARK

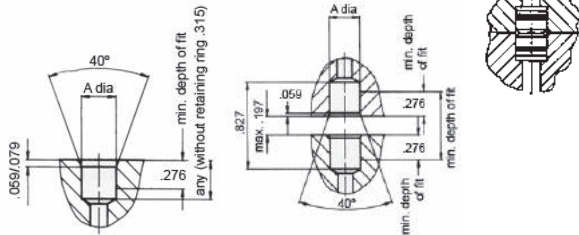
Manifold Mounting

Benefits



Connecting Plates Together

Connecting Inserts are used to provide a leak-free connection when a fluid passage goes through two separate sections of a fixture. The insert has two O-ring seals to provide leak-free sealing. Choice of two insert lengths: short (for flush connections) and long (for connections with a gap of up to .197"). Do not use sealing compound or teflon tape. Made from steel, with FKM O-rings. **For removable plates consider flush faced coupling elements CLR-0460-735-TBC and CLR-0460-638-TBN.**

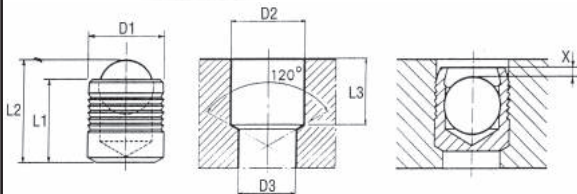


Type	Short	Long-Metric	Long-USA
Max. operating pressure	7250 psi	7250 psi	7250 psi
A dia.	.3937/.3943	.3937/.3943	.3750/.3756
Insert length	.551	.748	.748
Max. misalignment of holes	.002	.004	.004
Part No.	CLR-9210-132	CLR-9210-127-F	CLR-901-F

Plugging Drilled Passages



Expanding Plugs are used to plug the end of an oil channel. Each plug consists of a ball mounted into a sleeve which, when installed, expands and seals to the inner bore of the hole. Installation consists of preparing the hole, inserting the plug, and striking the ball to expand the sleeve. Do not use sealing compound or tape. Please consider using bleed screws instead of expanding plugs in some holes. This allows bleeding of the drilled channels.

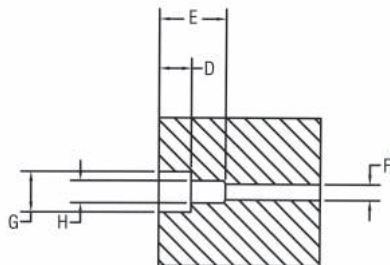


Size	1	2	3
D1	.236	.315	.394
D2 +0.004, -0.0	.236	.315	.394
D3 max.	.208	.291	.37
L1	.256	.335	.433
L2	.339	.461	.598
L3 min.	.248	.327	.425
X +/-0.008	.016	.012	.016
Part No.	CLR-916-F	CLR-906-F	CLR-926-F
Installation Tool for Expanding Plug	CLR-HT-MBM-060	CLR-HT-MBM-080	CLR-HT-MBM-100

Hydraulic Bleeding



Some drilled oil passages should have the ability to be opened for fixture bleeding. By using a sealing washer and plug, air in oil passages can be released. This is only recommended for small holes. Larger holes should be prepared to accept larger threaded plugs like CLR-810-F.



Size	1	2
D	.197	.276
E	.404	.67
F	.16	.24
G	.325	.441
H	M4	M6
Part No., Washer	CLR-3001-713-F	CLR-3000-779
Part No., Bolt	CLR-3300-357-F	CLR-3300-223-F

Air Venting - Single Acting Elements



When using Single Acting cylinders or work supports, it is important to vent the spring volume to a clean environment. If this is not done, coolant and chips can be sucked into the element during the return stroke.

Port size	G 1/8	G 1/4	G 1/2
Part No., Filter Plug	CLR-0361-012-F	CLR-0361-000-F	CLR-0361-006-F

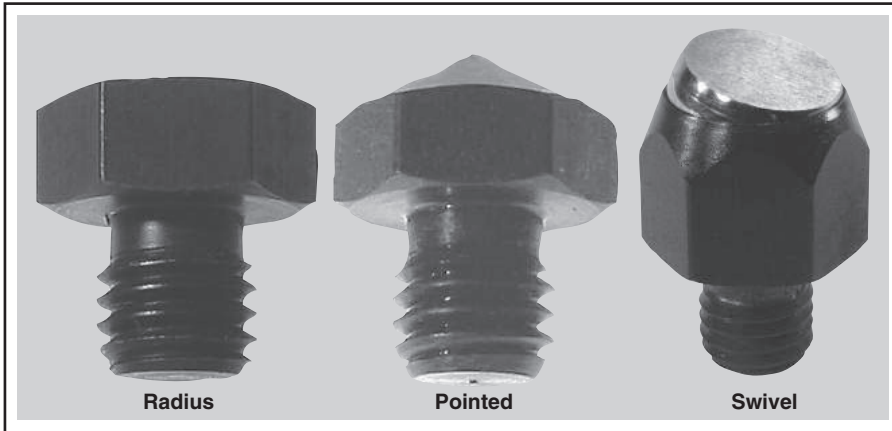


ROEMHELD
HILMA ■ STARK

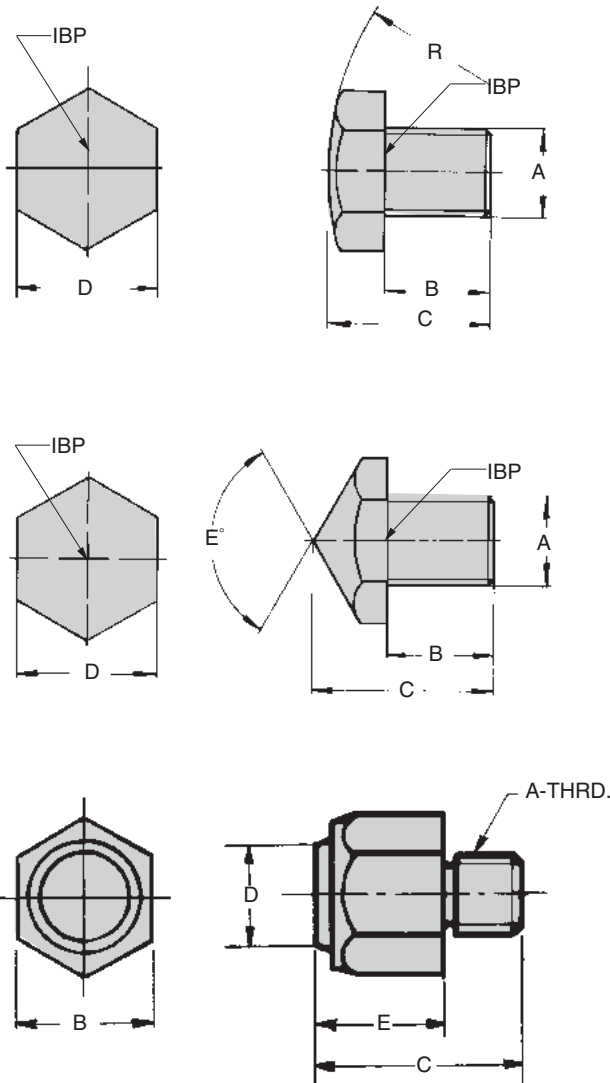
Carr Lane Roemheld Mfg. Co.

Sales — Phone (314) 647-6200 Fax (314) 647-5736
Engineering — Phone 1-800-827-2526 Web roemheld-usa.com

Contact Bolts



- Radius contact bolt for most applications
- Pointed contact bolt for clamping in holes, and point clamping
- Swivel contact bolt distributes clamping force to prevent marring
- 1144 steel, hardened 50-60 RC



Radius

Part No.	A	B	C	D Hex	R Radius
CLR-401-CB	1/4-20	1/4	3/8	7/16	25/32
CLR-400-CB		3/8	25/32		
CLR-404-CB	5/16-18	5/16	1/2	1/2	1
CLR-402-CB		3/8	25/32		
CLR-403-CB	3/8-16	1/2	7/8	9/16	1-3/8
CLR-405-CB	1/2-13	1/2	7/8	3/4	1-3/4
CLR-406-CB	5/8-11	25/32	1-3/16	15/16	2-3/8
CLR-408-CB	3/4-10	1	1-3/8	1-1/8	2-3/8
CLR-409-CB	1-8	1-3/16	1-27/32	1-1/2	3-15/16
CLR-3614-027-CB	M5	.35	.75	8mm	.79
CLR-3614-039-CB*	M6	.24	.37	10mm	.79
CLR-3614-016-CB		.39	.79		
CLR-3614-038-CB*	M8	.31	.51	13mm	.98
CLR-3614-001-CB		.39	.79	11mm	.79
CLR-3614-002-CB	M10	.47	.87	17mm	1.38
CLR-3614-028-CB	M12	.47	.87	19mm	1.77
CLR-3614-015-CB	M20	.98	1.38	30mm	2.36
CLR-3614-018-CB	M30	1.38	2.13	46mm	3.94
CLR-3614-019-CB	M42	1.77	2.80	65mm	5.51
CLR-3614-020-CB	M48	2.36	3.54	75mm	9.84

* These sizes are not heat treated.

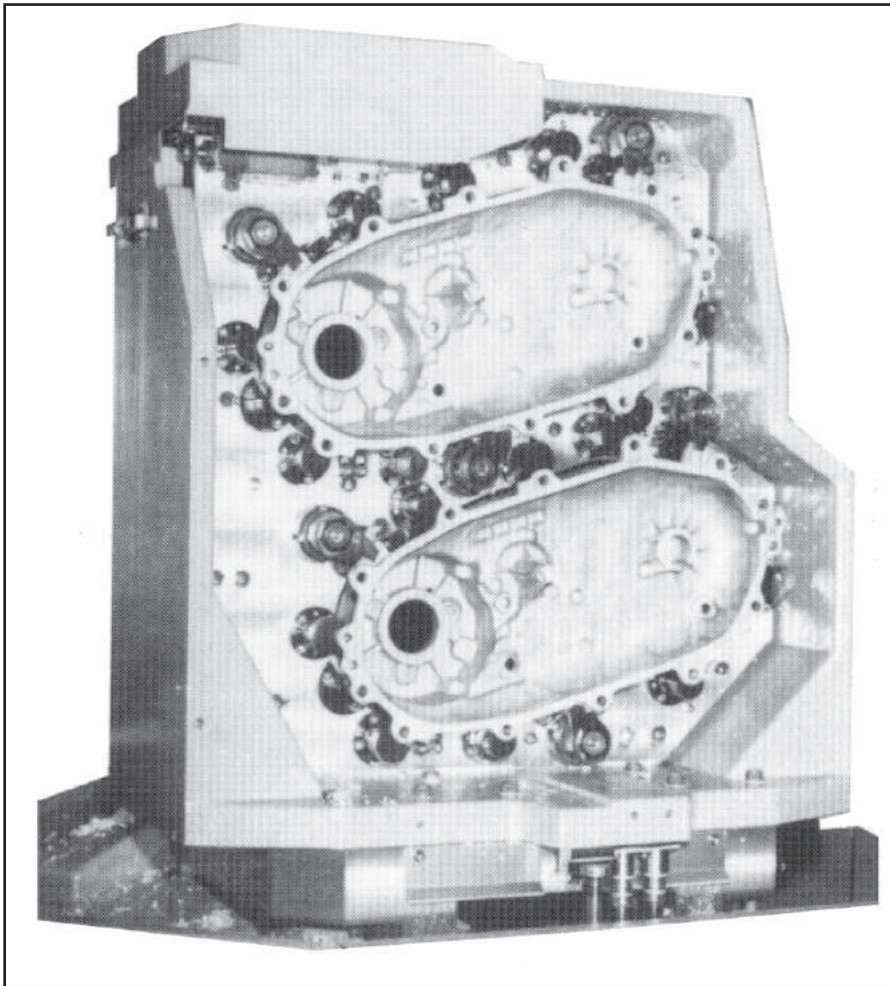
Pointed

Part No.	A	B	C	D Hex	E°
CLR-413-CB	1/4-20	1/4	3/4	7/16	90
CLR-414-CB	3/8-16	1/2	1-1/16	9/16	90
CLR-415-CB	1/2-13	1/2	1	3/4	120
CLR-416-CB	5/8-11	25/32	1-3/8	15/16	120
CLR-417-CB	3/4-10	1	1-9/16	1-1/8	120
CLR-418-CB	1-8	1-3/16	1-31/32	1-1/2	120
CLR-3614-033-CB	M5	.35	.63	8mm	120°
CLR-3614-068-CB	M6	.24	.71	10mm	90°
CLR-3614-032-CB		.39	.87		
CLR-3614-069-CB	M8	.31	.87	13mm	90°
CLR-3614-021-CB	M10	.47	1.06	17mm	90°

Swivel

Part No.	A Dia	B Hex	C	D Dia	E
CLR-420-CB	5/16-18	9/16	.82	13/32	1/2
CLR-421-CB	3/8-16	13/16	1.29	19/32	13/16
CLR-422-CB	1/2-13	7/8	1.23	5/8	13/16
CLR-423-CB	5/8-11	1-1/16	1.61	13/16	1
CLR-3614-228-CB	M6	11mm	21mm	7.2mm	13mm
CLR-3614-072-CB	M8	11mm	21mm	7.2mm	13mm
CLR-3614-073-CB	M10	17mm	28mm	10.5mm	18mm
CLR-3614-074-CB	M12	17mm	30mm	10.5mm	18mm

Application Example



Two-sided Palletized Fixture for Machining Both Sides of an Aluminum Housing

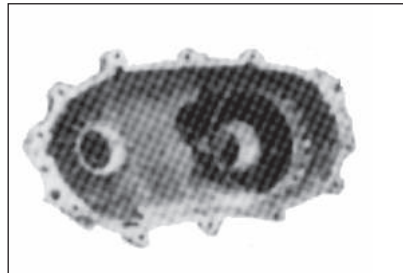
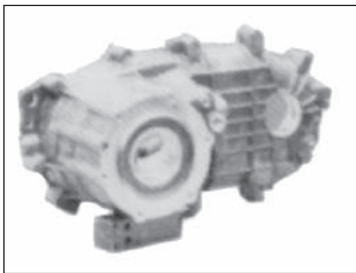


Cartridge/Manifold-Mounted Swing Clamps
(See Swing Clamps section)

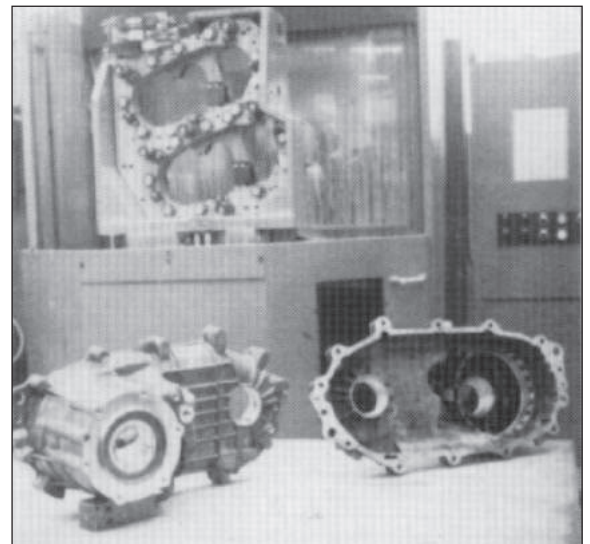


Fluid-Advanced Work Supports
(See Work Supports section)

Palletized fixture holds two aluminum castings, allowing complete machining of both sides with only one setup. The fixture uses manifold-mounted Swing Clamps and Work Supports. Fluid is supplied through passages in the vertical fixture plate, so the fixture is free of tubing lines.



Both faces of the workpiece (above) are machined with one setup. Vertical fixture plate has cutouts (see photo at right) to allow access from both sides. Product designers integrated special clamping areas into the casting for easier fixturing.



ROEMHELD
HILMA ■ STARK

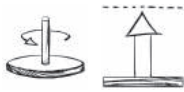
Carr Lane Roemheld Mfg. Co.

Sales — Phone (314) 647-6200 Fax (314) 647-5736
Engineering — Phone 1-800-827-2526 Web roemheld-usa.com

Assembly and Handling Technology

Modular Units ■ Application and combination examples

Lifting module operated by foot pedal with rotating module vertical axis

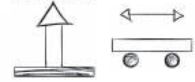
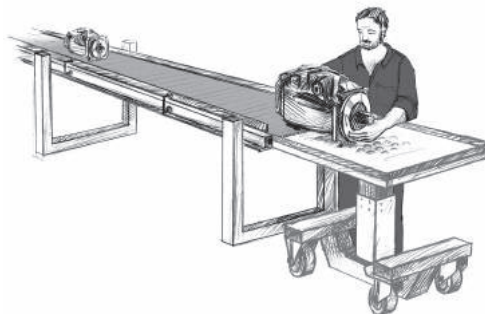


Here a complex hydraulic subassembly requires access to 5 sides during the installation of its components.

The employee can rotate the workpiece 360° in both directions about the vertical axis of this rotating module. Now the employee can select the most ergonomic position via manual or electric operation. Model versions with indexing are available too; standard index angles are 45°, 60°, 90°, 120°.

The appropriate working height is adjusted by the foot pedal of the self-contained hydraulic lifting module.

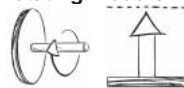
Lifting module operated by hand pendant with rotating module horizontal axis



The assembly and testing of heavy workpieces such as axial piston machines is carried out at many stations. Transfer from station to station is made easy by fastening a tabletop plate to a hydraulic lift module that is mounted on top of a cart module.

Applying the brake on the cart module locks the unit in place. The operator can easily raise or lower the tabletop by pumping the foot pedal of the hydraulic lifting module.

Lifting module operated by hand pendant with rotating module horizontal axis



Multi-shift organizations know that every shift change also ushers in the change of each and every employee's size and ability. Modular combinations adapt to such changes and this one is composed of two modules: electric lift and horizontal-axis rotating. The electric lifting module effortlessly adjusts to an employee's height via a hand

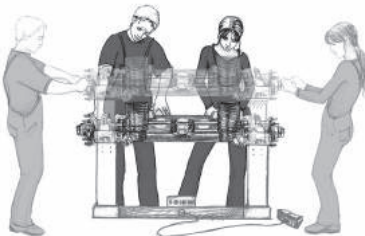
or foot push-button pendant. The horizontal-axis rotating module does just what its name implies; it spins a workpiece about its horizontal axis. It has 360° of rotation in both directions. Push or pull your workpiece to rotate the version without indexing or automatically index to your next position using the hand-lever or foot-pedal versions.

Lifting module operated by foot pedal with tilting module and rotating module vertical axis



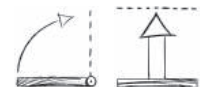
Optimum assembly of car seats requires the ability to quickly and easily move the seat into different positions. This modular combination allows the employee to raise, lower, rotate and tilt the seat. The tilting module is equipped with a pneumatic balancer that counteracts almost all of the tilting torques. This means very little force is required of the employee to tilt heavy objects.

Electrically operated lifting module in sync



Assembly of truck axles is carried out by two employees at the same time. Components are installed and fastened from above as well as from both ends. The working height is adjusted via a foot pendant that controls two synchronized electric lifting modules. The synchronized lifts guarantee a level work surface throughout the entire stroke. The lifting modules are mounted to a floor module to improve stability.

Lifting module operated by foot pedal with tilting module



Here the employee is carrying out the final assembly of an electric motor followed by a series of tests.

The working height is adjusted by the foot pedal of the hydraulic lifting module. The tilting module mounted on top of the lifting module allows the employee to tilt the motor back and forth by 90°. The integrated pneumatic-counterbalance feature makes tilting the motor a nearly effortless task.

Subject to change. For further details, including detailed dimensions and mounting instructions, visit roemheld-usa.com.



ROEMHELD
HILMA ■ STARK

Carr Lane Roemheld Mfg. Co.

Sales — Phone (314) 647-6200 Fax (314) 647-5736
Engineering — Phone 1-800-827-2526 Web roemheld-usa.com



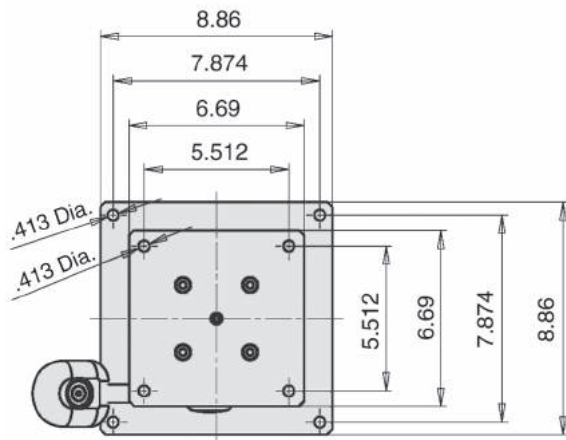
- Self-contained units for lifting and height adjustment
- Single-pedal operation for sensitive, controlled lifting
- Square column resists torsional loads
- Choice of five stroke lengths, up to 23.62 inches
- To descend the lifting unit a maximum of 10% of Fz max. load is required
- The center of gravity should be within the traverse of the mounting bolts

OPERATION: Raise and lower unit using the same lever. Pump foot lever down 45 degrees to raise platform. To lower unit, lift lever 10 degrees to release pressure.

PRESSURE RELIEF: If pumping continues after reaching full height extension, pressure relieves automatically and returns fluid to the reservoir.

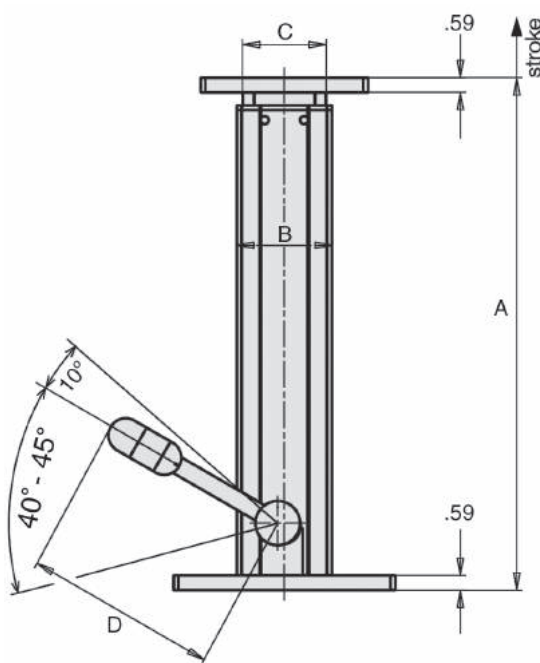
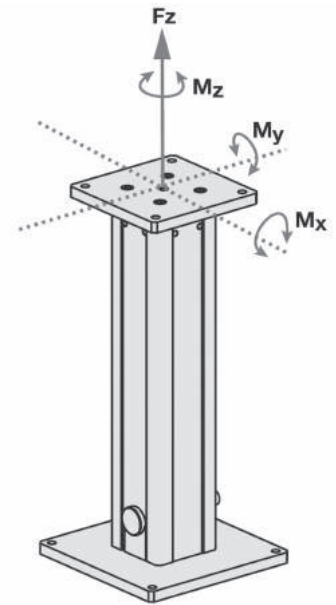
MOUNTING: Tapped holes in top and bottom plates allow attaching custom bases and tables.

CONSTRUCTION: Square column is made from anodized aluminum. Top and bottom mounting plates are black anodized aluminum. The operating lever is steel with bright zinc plating, with a molded plastic foot pedal.



MAXIMUM TORQUE LOAD: In the case of eccentric loads, it is recommended to compensate these by counterweights. In opposition the indicated maximum torques may occur.

The forces and torques have to be considered by the operator. During the lifting motion only 50% of the maximum values are admitted.



Fz lifting capacity with centered load	225 lbs	450 lbs	900 lbs	1350 lbs	1350 lbs	
Pump motions per 3.94 in. of stroke	8	8	8	10	10	
Fully Extended Height Stroke + A	Stroke	A	Stroke	A	Stroke	A
	7.87	16.54	7.87	16.54	7.87	20.47
	11.81	20.47	11.81	20.47	11.81	24.41
	15.75	24.41	15.75	24.41	15.75	28.35
	19.69	28.35	19.69	28.35	NA	NA
	23.62	32.28	23.62	32.28	NA	NA
B Sq	3.82		5.91		5.91	
C Sq	3.35		5.24		NA	
D	7.7		11.7		11.3	
Mx/y (Max. Torque Load)	74 ft. lbs.		369 ft. lbs.		590 ft. lbs.	
Mz (Max. Torque Load)	37 ft. lbs.		221 ft. lbs.		295 ft. lbs.	
Part No.	CLR-8910-01-X0-H		CLR-8915-0X-X0-H		CLR-8919-06-X0-H	
	Stroke		Max. Lift Force		Stroke	
	2=7.87		2=450 lbs.		2=7.87	
	3=11.81		4=900 lbs.		3=11.81	
	4=15.75		6=1350 lbs.		4=15.75	
	5=19.69		Stroke			
	6=23.62		2=7.87			
		3=11.81				
		4=15.75				
		5=19.69				
		6=23.62				



Carr Lane Roemheld Mfg. Co.

Sales — Phone (314) 647-6200 Fax (314) 647-5736

Engineering — Phone 1-800-827-2526 Web roemheld-usa.com

CARR LANE ROEMHELD GUARANTEE OF QUALITY

Carr Lane Roemheld components are carefully designed, manufactured, inspected, and individually tested prior to shipment. In the unlikely case you find a defect in materials or workmanship within 12 months after receipt, we will promptly repair or replace the component, in accordance with our Limited Warranty below. Our liability is limited to replacement of the part and this warranty does not apply to altered or misapplied products.

Limited Warranty

Seller warrants that the product described herein will be free from defects in material and workmanship. If any failure to conform to this warranty be found within twelve (12) months, from date of receipt of the product by Buyer, and Seller is given immediate notification thereof, Seller, upon being satisfied of the existence of such nonconformity, will correct the same by replacement of the defective product or making suitable repairs. If the Seller is unable to correct such nonconformity by replacement of the product or making suitable repairs, whether due to the nature of such nonconformity, the use made by the Buyer of the product, or for any other reason, it will return to Buyer the price set forth herein, or where appropriate, the unit price for such number or quantity of products as shall have such nonconformity which Seller is unable to correct, upon Seller's receipt of the nonconforming product f.o.b. its plant; provided, however, no product shall be returned to Seller without its express written consent; and provided further that such receipt of any nonconforming product will not be required where it is no longer possible for Buyer to return the same to Seller. In no event shall Seller be liable to Buyer, either directly or by way of contribution or indemnity, for direct, special, incidental or consequential damages such as, but not limited to, property damage, loss of profit, damages based on loss of use of the product, or damages for cover, whether the claim for any such damages be based on warranty, express or implied, contract, tort, or otherwise. THE FOREGOING IS SELLER'S SOLE WARRANTY WITH RESPECT TO THE PRODUCT. SELLER MAKES NO OTHER WARRANTIES, EXPRESS OR IMPLIED, INCLUDING IMPLIED WARRANTIES OF MERCHANTABILITY AND FITNESS FOR A PARTICULAR PURPOSE.





Our Promise Of Quality

We are committed to being the world's preferred source of standard tooling components by meeting and surpassing our customers' expectations for top quality and excellent service every day.

ISO 9001
CERTIFIED



INCH DRILL SIZES		
Drill/Decimal	Drill/Decimal	Drill/Decimal
80	.0135	9/64 .1406
79	.0145	27 .1440
1/64	.0156	26 .1470
78	.0160	25 .1495
77	.0180	24 .1520
76	.0200	23 .1540
75	.0210	5/32 .1562
74	.0225	22 .1570
73	.0240	21 .1590
72	.0250	20 .1610
71	.0260	19 .1660
70	.0280	18 .1695
69	.0292	11/64 .1719
68	.0310	17 .1730
1/32	.0312	16 .1770
67	.0320	15 .1800
66	.0330	14 .1820
65	.0350	13 .1850
64	.0360	3/16 .1875
63	.0370	12 .1890
62	.0380	11 .1910
61	.0390	10 .1935
60	.0400	9 .1960
59	.0410	8 .1990
58	.0420	7 .2010
57	.0430	13/64 .2031
56	.0465	6 .2040
3/64	.0469	5 .2055
55	.0520	4 .2090
54	.0550	3 .2130
53	.0595	7/32 .2188
1/16	.0625	2 .2210
52	.0635	1 .2280
51	.0670	A .2340
50	.0700	15/64 .2344
49	.0730	B .2380
48	.0760	C .2420
5/64	.0781	D .2460
47	.0785	E .2500
46	.0810	1/4 .2500
45	.0820	F .2570
44	.0860	G .2610
43	.0890	17/64 .2656
42	.0935	H .2660
3/32	.0938	I .2720
41	.0960	J .2770
40	.0980	K .2810
39	.0995	9/32 .2812
38	.1015	L .2900
37	.1040	M .2950
36	.1065	19/64 .2969
7/64	.1094	N .3020
35	.1100	5/16 .3125
34	.1110	O .3160
33	.1130	P .3230
32	.1160	21/64 .3281
31	.1200	Q .3320
1/8	.1250	R .3390
30	.1285	11/32 .3438
29	.1360	S .3480
28	.1405	T .3580

METRIC DRILL SIZES		
Drill/Decimal	Drill/Decimal	Drill/Decimal
.35mm	.0138	3.60mm .1417
.38mm	.0150	3.70mm .1457
.40mm	.0157	3.75mm .1476
.42mm	.0165	3.80mm .1496
.45mm	.0177	3.90mm .1535
.48mm	.0189	4.00mm .1575
.50mm	.0197	4.10mm .1614
.55mm	.0217	4.20mm .1654
.60mm	.0236	4.25mm .1673
.65mm	.0256	4.30mm .1693
.70mm	.0276	4.40mm .1732
.75mm	.0295	4.50mm .1772
.80mm	.0315	4.60mm .1811
.85mm	.0335	4.70mm .1850
.90mm	.0354	4.75mm .1870
.95mm	.0374	4.80mm .1890
1.00mm .0394		4.90mm .1929
1.05mm .0413		5.00mm .1969
1.10mm .0433		5.10mm .2008
1.15mm .0453		5.20mm .2047
1.20mm .0472		5.25mm .2067
1.25mm .0492		5.30mm .2087
1.30mm .0512		5.40mm .2126
1.35mm .0531		5.50mm .2165
1.40mm .0551		5.60mm .2205
1.45mm .0571		5.70mm .2244
1.50mm .0591		5.75mm .2264
1.55mm .0610		5.80mm .2283
1.60mm .0630		5.90mm .2323
1.65mm .0650		6.00mm .2362
1.70mm .0669		6.10mm .2402
1.75mm .0689		6.20mm .2441
1.80mm .0709		6.25mm .2461
1.85mm .0728		6.30mm .2480
1.90mm .0748		6.40mm .2520
1.95mm .0768		6.50mm .2559
2.00mm .0787		6.60mm .2598
2.05mm .0807		6.70mm .2638
2.10mm .0827		6.75mm .2657
2.15mm .0846		6.80mm .2677
2.20mm .0866		6.90mm .2717
2.25mm .0886		7.00mm .2756
2.30mm .0906		7.10mm .2795
2.35mm .0925		7.20mm .2835
2.40mm .0945		7.25mm .2854
2.45mm .0965		7.30mm .2874
2.50mm .0984		7.40mm .2913
2.55mm .1004		7.50mm .2953
2.60mm .1024		7.60mm .2992
2.65mm .1043		7.70mm .3031
2.70mm .1063		7.75mm .3051
2.75mm .1083		7.80mm .3071
2.80mm .1102		7.90mm .3110
2.90mm .1142		8.00mm .3150
3.00mm .1181		8.10mm .3189
3.10mm .1220		8.20mm .3228
3.20mm .1260		8.25mm .3248
3.25mm .1280		8.30mm .3268
3.30mm .1299		8.40mm .3307
3.40mm .1339		8.50mm .3346
3.50mm .1378		8.60mm .3386

TAP GUIDE SIZES (Priced as specials)		
Tap Size*	Tap Guide Nominal ID Size	Tap Drill Size**
#0-80	.0616	3/64
#2-56	.0883	#50
#2-64	.0880	#50
#4-40	.1152	#43
#4-48	.1147	#42
#5-40	.1282	#38
#5-44	.1280	#37
#6-32	.1421	#36
#6-40	.1412	#33
#8-32	.1681	#29
#8-36	.1676	#29
#10-24	.1954	#25
#10-32	.1941	#21
1/4-20	.2565	#7
1/4-28	.2546	#3
5/16-18	.3197	F
5/16-24	.3179	I
3/8-16	.3831	5/16
3/8-24	.3804	Q
7/16-14	.4468	U
7/16-20	.4440	25/64
1/2-13	.5100	27/64
1/2-20	.5065	29/64
9/16-12	.5733	31/64
9/16-18	.5697	33/64
5/8-11	.6368	17/32
5/8-18	.6322	37/64
3/4-10	.7630	21/32
3/4-16	.7581	11/16
7/8-9	.8894	49/64
7/8-14	.8843	13/16
1-8	1.0162	7/8
1-14	1.0093	15/16

METRIC		
Tap Size*	Tap Guide Nominal ID Size	Tap Drill Size**
M1.6x0.35	.0651	1.25mm or #55
M2x0.4	.0810	1.60mm or #52
M2.5x0.45	.1008	2.05mm or #46
M3x0.5	.1207	2.50mm or #39
M3.5x0.6	.1407	2.90mm or #32
M4x0.7	.1613	3.30mm or #30
M5x0.8	.2010	4.20mm or #19
M6x1	.2410	5.00mm or #8
M8x1.25	.3214	6.80mm or H
M8x1	.3197	7.00mm or J
M10x1.5	.4009	8.50mm or R
M10x1.25	.4002	8.80mm or 11/32
M12x1.75	.4805	10.20mm or 13/32
M12x1.25	.4789	10.80mm or 27/64
M14x2	.5600	12.00mm or 15/32
M14x1.5	.5584	12.50mm or 1/2
M16x2	.6387	14.00mm or 35/64
M16x1.5	.6372	14.50mm or 37/64
M18x2.5	.7191	15.50mm or 39/64
M18x1.5	.7159	16.50mm or 21/32
M20x2.5	.7978	17.50mm or 11/16
M20x1.5	.7946	18.50mm or 47/64
M22x2.5	.8765	19.50mm or 49/64
M22x1.5	.8734	20.50mm or 13/16
M24x3	.9583	21.00mm or 53/64
M24x2	.9537	22.00mm or 7/8

* Coarse series shown in bold. Pitch callout not required on metric coarse series.
** Closest size for 75% theoretical thread.



MANUFACTURING CO.
4200 Carr Lane Ct., P.O. Box 191970 • St. Louis, Missouri 63119-7970 USA
Phone: 314/647-6200 • Fax: 314/647-5736 • Web Site: www.carrlane.com

PRINTED IN U.S.A. COPYRIGHT 2020
CARR LANE MANUFACTURING CO.

ONLINE EXCLUSIVE

THIS CARR LANE MANUFACTURING PRODUCT
IS AVAILABLE EXCLUSIVELY ONLINE.



www.carrlane.com