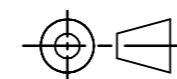
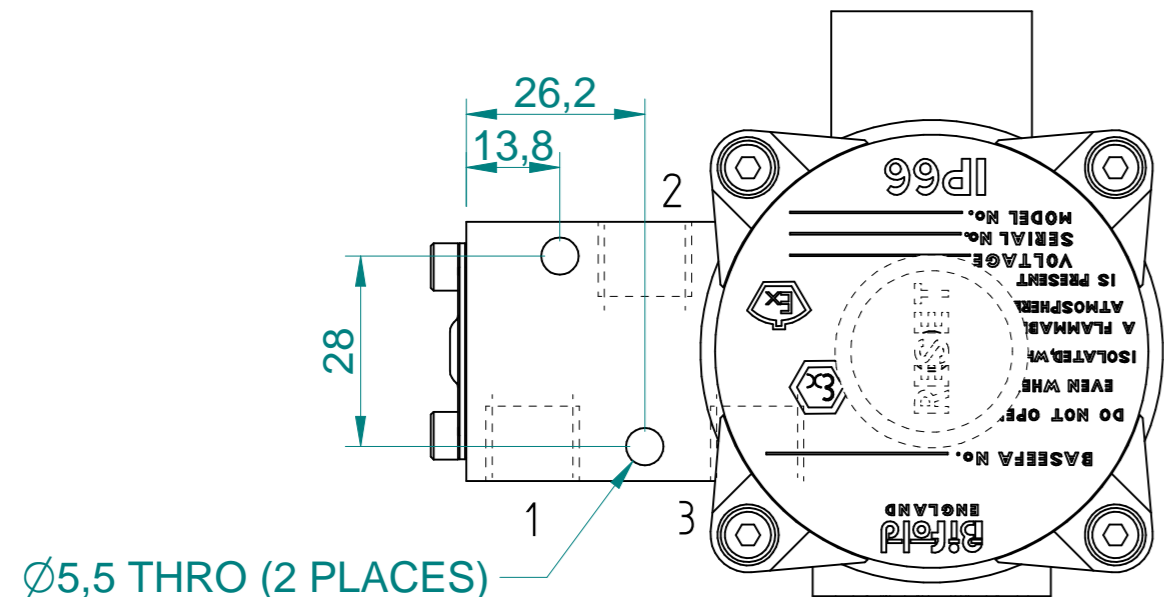


DO NOT SCALE

THIRD ANGLE PROJECTION



DIMENSIONS IN MILLIMETRES

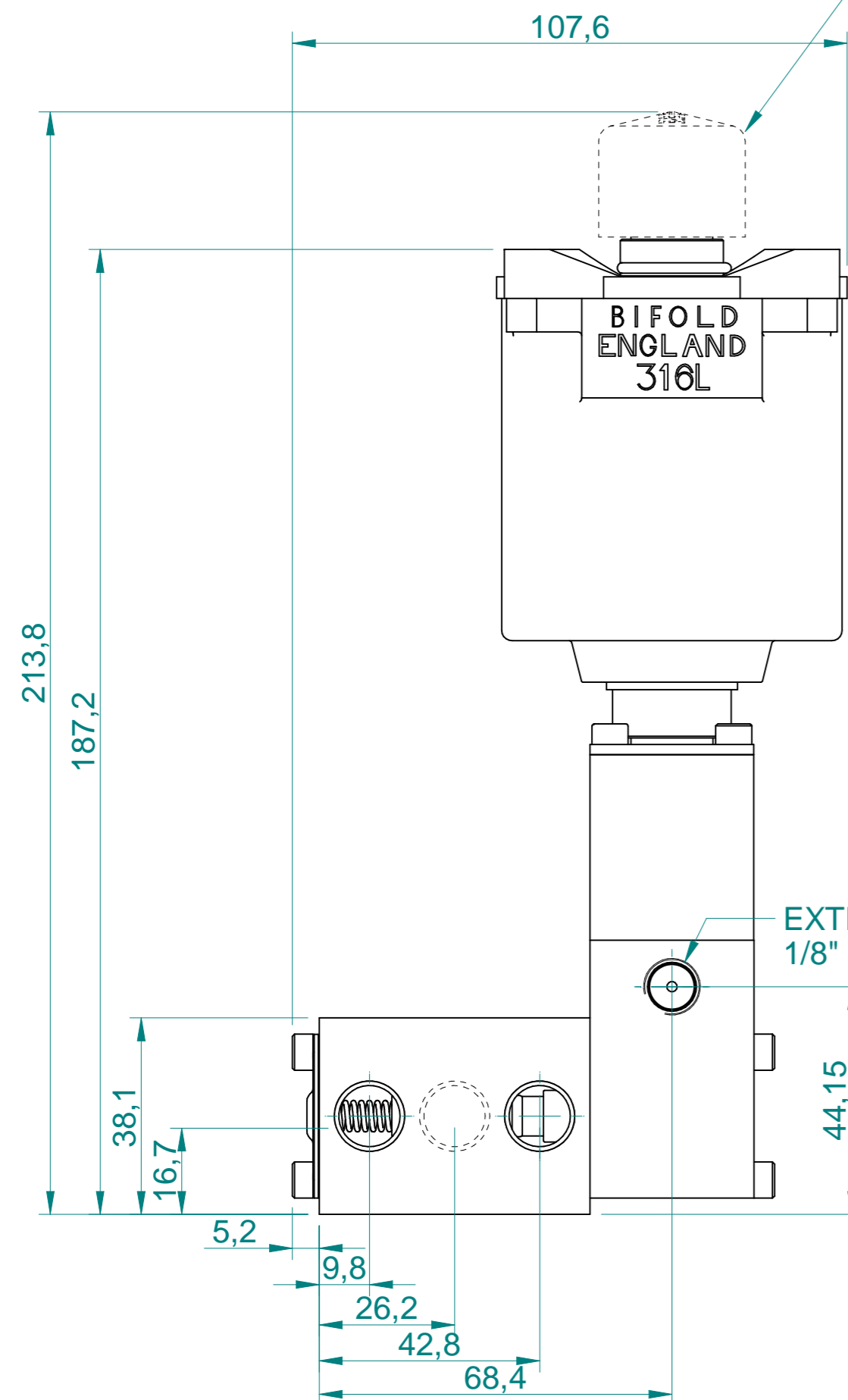
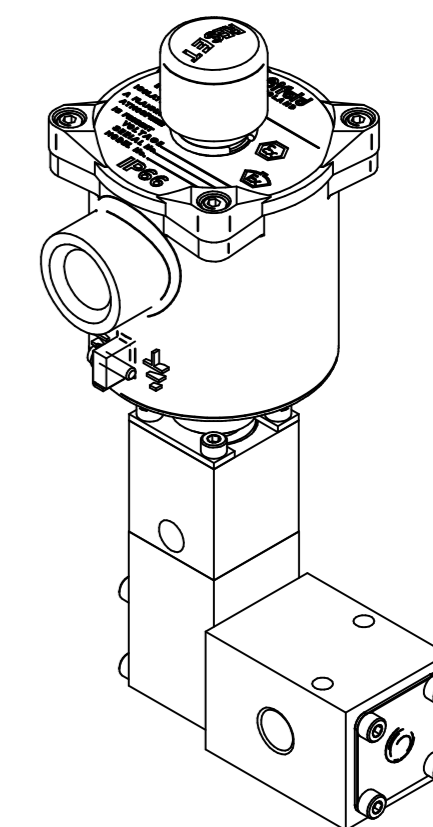
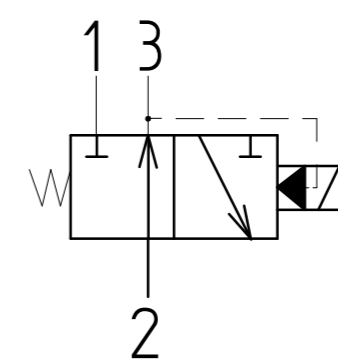


MANUAL OVERRIDE/RESET OPTION

ALL CONNECTIONS 1/4 NPT

MAX WORKING PRESSURE 10 BAR g

SCHEMATIC



EXTERNAL PILOT OPTION  
1/8" NPT

M20 x 1.5p CONDUIT  
ENTRY AS STANDARD  
(1/2" NPT - K85 OPTION)

SOLENOID OPERATOR CAN BE  
REPOSITIONED THROUGH 360°

1/8 NPT EXHAUST

APPROX WEIGHT  
2.5 kg ± 0.5

CV=0.75

REV	DATE	DRAWN	CHKD	REVISION
1	24.04.12	RA		ADDED OPTION NOTES
0	09.01.08	NW		PRODUCTION ISSUE

NOTES :

1.) O-RING MATERIAL CODE 'X'

S = NITRILE  
 V = VITON  
 AL = FLUOROSILICONE  
 AG = SILICONE

2.) ALL DIMENSIONS NOMINAL UNLESS OTHERWISE STATED.

VALVE TYPES/USED ON



Bifold Fluidpower Limited  
 Greenside way, Middleton, Manchester, M24 1SW  
 Telephone (44) 0161 345 4777 Fax (44) 0161 345 4780

PROJECT TITLE  
 SJ06/EX/32/NX/00/XXXXX-XXXXX

PROJECT No.

DRAWING TITLE  
 GENERAL INSTALLATION

DRAWING No.  
 0-IN0047

REV. 1

DRAWN NW	DATE 24.04.12	CHECKED	DATE	APPROVED	DATE
-------------	------------------	---------	------	----------	------