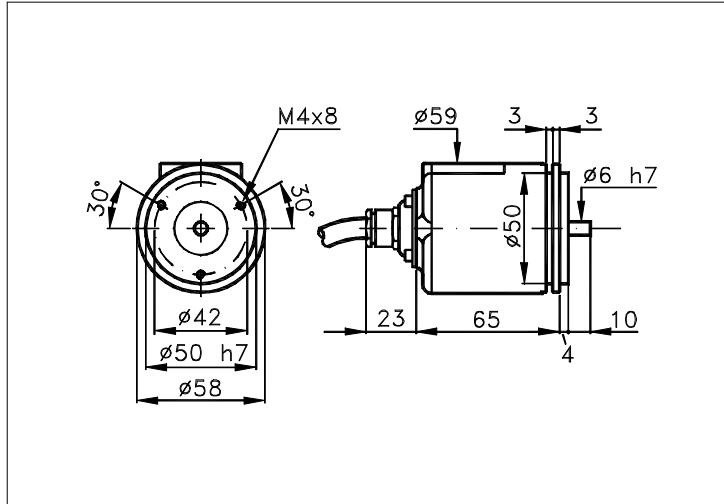


Sized draw standard version: CW Measures without tolerance according to UNI ISO 2768-mk



TECHNICAL FEATURES AND POSSIBLE CONFIGURATIONS

- Base.....: ANODIZED ALUMINIUM (*)
- Cover.....: VALOX 420 (*)
- Weight.....: 300 g
- Shaft.....: Ø 6 STAINLESS STEEL (*)
- Max.rad/axial load.: 3 kg
- IP output side.(°): see 'CONNECTION' of page 2
- IP shaft side.(°):> std. 64 | sealed 66 | low torq. 53
- opt. type (page 2):> standard | Z | B
- Contin. max RPM(**):> 8000 | 3000 | 12000
- Starting torque gcm> 18 | 30 | 8
- Ball bearings life...: 1,5 x 10⁹ revolutions
- Impact resistance....: 50 G x 11ms
- Vibration resistance...: 12 G (10 ÷ 2000 Hz)
- Power supply.....: 5÷30V (see page 2)
- Operating temperature: 0 ÷ 70 °C (*)
- Storage temperature...: -30 ÷ 85 °C
- N° of pulses/rev.....: 1 ÷ 25000
- Max frequency.....: 100 kHz (300 option)
- Max consumptions mA...: std 120 line driver 180 (*)
- Light source.....: LED with >= 100000 h life

(°) IP according to CEI EN 60529, EN 60529, IEC 529

(*) custom options

(**) intermittent max RPM + 30% of continuous max RPM

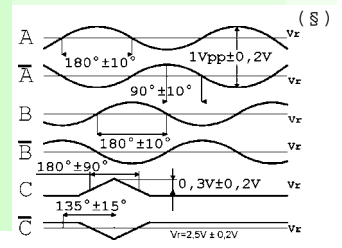
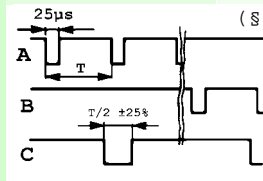
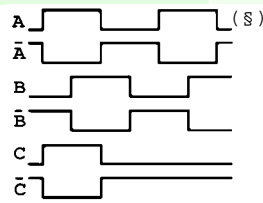
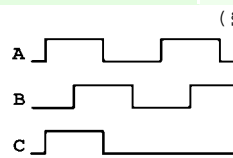
ELECTRONICS

CODE	DESCRIPTION	mA	CODE	DESCRIPTION	mA	CODE	DESCRIPTION	mA	CODE	DESCRIPTION	mA
	STANDARD NPN	10	N	DRIVER 26LS31	30	D	DISCRIMINAT.	70	Y	SINUSOID. 1Vpp	10
K	NPN OPEN COLL	10	T	TTL 7404	10						
Q	NPN	70	C	DRIVER 88C30	20						
R	NPN OPEN COLL	70	L	2x PUSH-P.PRO	70						
P	PNP	70	M	2x PUSH-PULL	70						
U	PNP OPEN COLL	70									
B	PUSH-PULL PRO	70									
H	PUSH-PULL	70									

(§) Clock-wise output rotation (see shaft).

Tolerance between phases ± 25°, symmetry ± 15°

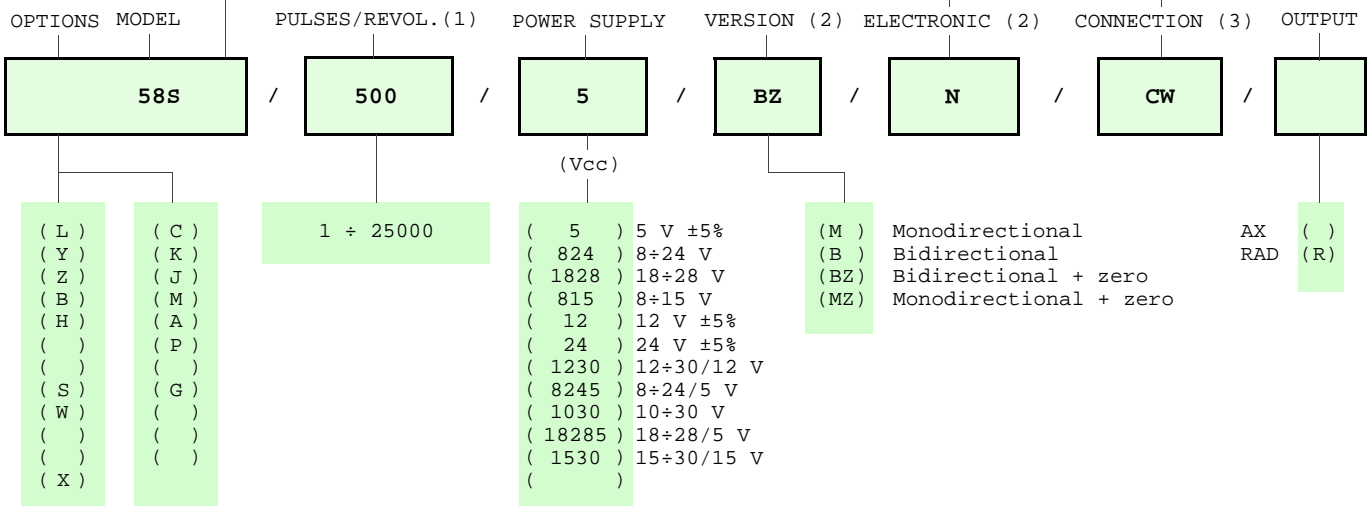
(§) Clock-wise output rotation (see shaft).



POSSIBLE OPTIONS				POSSIBLE CONNECTIONS								
CODE	DESCRIPTION	CODE	DESCRIPTION	CABLE				OUTPUT:				
L	Low temperature	C	Low consumption	CW				AX RAD				
Y	Unbreakable disk	K	Invert. phase A,B,Zero.	CONNECTOR				OUTPUT:				
Z	Sealed ball bearing	J	Zero logic combination	CM	SM	CL	SL	CD	CH	CH5	CI	AX RAD
B	Low torque ball bear.	M	Impregnated electronic	CABLE END CONNECTOR				OUTPUT:				
H	Different shaft Ø	A	High temperature	VM	TM	VL	TL	VD	VH	VH5	VI	AX RAD
		P	Compressed air attack	VE	VK	TK	VN	VH6	VM5	VM9	VS	RAD
S	160 KHz frequency	G	Tropicalization	TERMINAL BOX				OUTPUT:				
W	300 KHz frequency			MS	AX							
X	Custom options											

ORDERING INFORMATION


POSSIBLE SHAFT Ø	STANDARD NPN	CABLE	CONNECTOR	CABLE END CONNECTOR
()	(K) NPN OPEN COLL	IP65	(CM) 7c norm. IP65	(VM) 7c normal
()	(Q) NPN	()	(SM) 7c sealed IP66	(TM) 7c sealed
()	(R) NPN OPEN COLL	()	(CL) 10c norm. IP65	(VL) 10c normal
()	(P) PNP	(CW) 1 m long	(SL) 10c sealed IP66	(TL) 10c sealed
()	(U) PNP OPEN COLL	()	(CD) 9c sub D IP63	(VD) 9c
(n) Ø n upon requ.	(B) PUSH-PULL PRO	TERMINAL BOX	(CH) 12c ccw IP67	(VH) 12c anticlock.
()	(H) PUSH-PULL	IP00	(CH5) 12c cw IP67	(VH5) 12c clock-wise
()	(N) DRIVER 26LS31	(MS) Phoenix	(CI) 12c crimp. IP64	(VI) 12c crimped
()	(T) TTL 7404		(CE) 5c miniat IP64	(VE) 5c
()	(C) DRIVER 88C30		()	(VK) 17c normal
()	(L) 2x PUSH-P.PRO		()	(TK) 17c sealed
()	(M) 2x PUSH-PULL		(C4) 4c screw IP65	(VN) 12c
()	(D) DISCRIMINAT.		(CH6) 12c cw IP67	(VH6) 12c clock-wise
()	(Y) SINUSOID.1Vpp		()	(VM5) 26c
()	(X) CUSTOM OPTION			(VM9) 16c
()				(VS) 12c
()				(VD5) 9c screened



NOTE: FOR 88C30 MAX 15 Vdc

Product manufactured according to UNI EN ISO 9001:2000, supplied with CHECKING and CONFORMITY declaration with CE mark and with TWO (2) YEARS WARRANTY starting from delivery date.

- (1) For further information see PULSES/REVOL. data sheet
- (2) For further information see ELECTRONIC data sheet
- (3) For further information see CONNECTION data sheet

	ELCIS s.r.l. Via Rosa Luxembourg 12/14 10093 COLLEGNO (TO) ITALY Phone: +39 011 715577/78 a.r. MAIL: ELCIS s.r.l. P.O.Box 43 10093 COLLEGNO (TO) ITALY	* http://www.elcis.com * e-mail: info@elcis.com * Fax: +39 011 712613
--	--	---

COPYRIGHT by ELCIS - Collegno (TO)