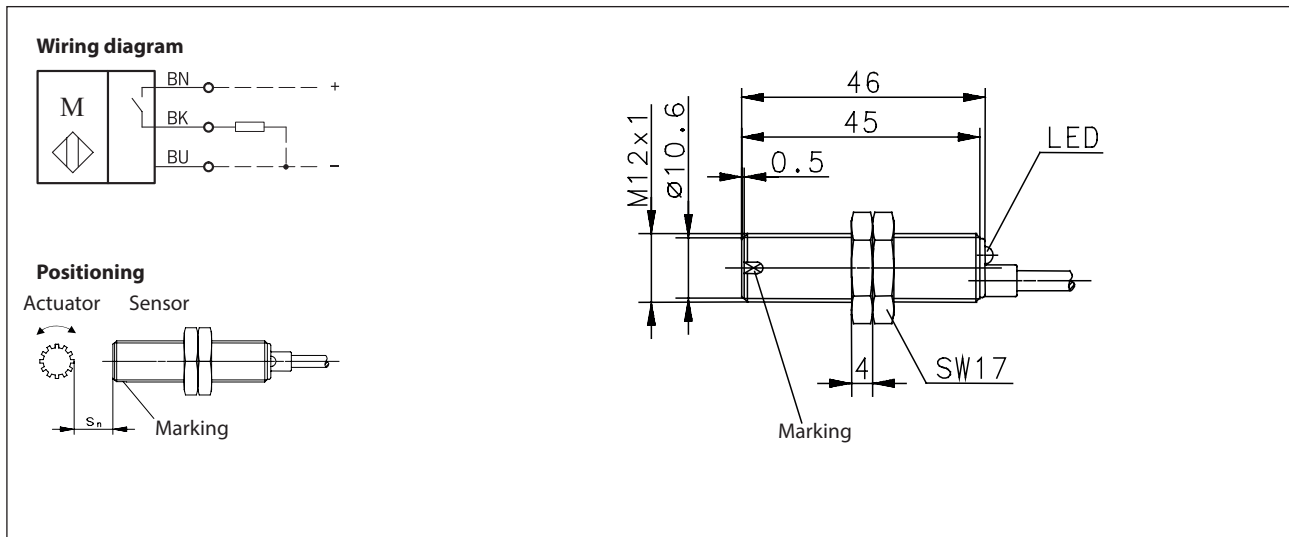


## Magnetic Sensor Series M12

Description **MEM-M12PD/H-KL2**

Article number **6379262120**



### Identifying characteristics in accordance with EN 60947-5-2

Electrical data		
Assured operating distance	$S_a$	0 - 2 mm (ferromagnetic material)
Switching function		PNP
Operational voltage range	$U_B$	10-39 V DC
Switching current		400 mA
Supply current		< 20 mA
Voltage drop	$U_d$	< 3 V
Switching element		Hall, magnetic biased
Short-circuit protection		pulsed
Frequency of operating cycles	$f$	10 kHz
False polarity protection		yes

Electromagnetic compatibility (EMC)	
Electromagnetic field test	IEC 61000-4-3
Electrostatic discharge test	IEC 61000-4-2
Electrical fast transient immunity test (Burst)	IEC 61000-4-4
Radiated disturbance field strength	EN 55011

<b>Mechanical data</b>	
Front cap	PA6.6, black
Enclosure	CUZn39Pb3, nickel plated
End cap	PA 6.6, black
Ambient air temperature	-25 °C ... +70 °C (cable fixed mounted)
Type of protection	IP67 acc. to IEC 529, EN 60529
Indication	LED, yellow; output activated
Termination type	Cable 3 x 0,14 mm <sup>2</sup> x 2 m; PVC-Outer jacket, black
For attachment	2 x hexagon nut

<b>Product reliability (in acc. with DIN EN 61709 (SN 29500))</b>	
MTTF (at nominal load, 40 °C)	> 1450 years

<b>EU Conformity</b>	
	acc. to directive 2014/30/EU (EMC-Directive)