

1A04

DOCUMENTATION

RÖSSEL
MESSTECHNIK

Part no. : 2-0920-00067

Resistance-Thermometer 1xPt100/0

Rössel type : 41/K-3, Ø6,0, 1Pt-A-FS, 2-TG-412-3Cu-0,25L

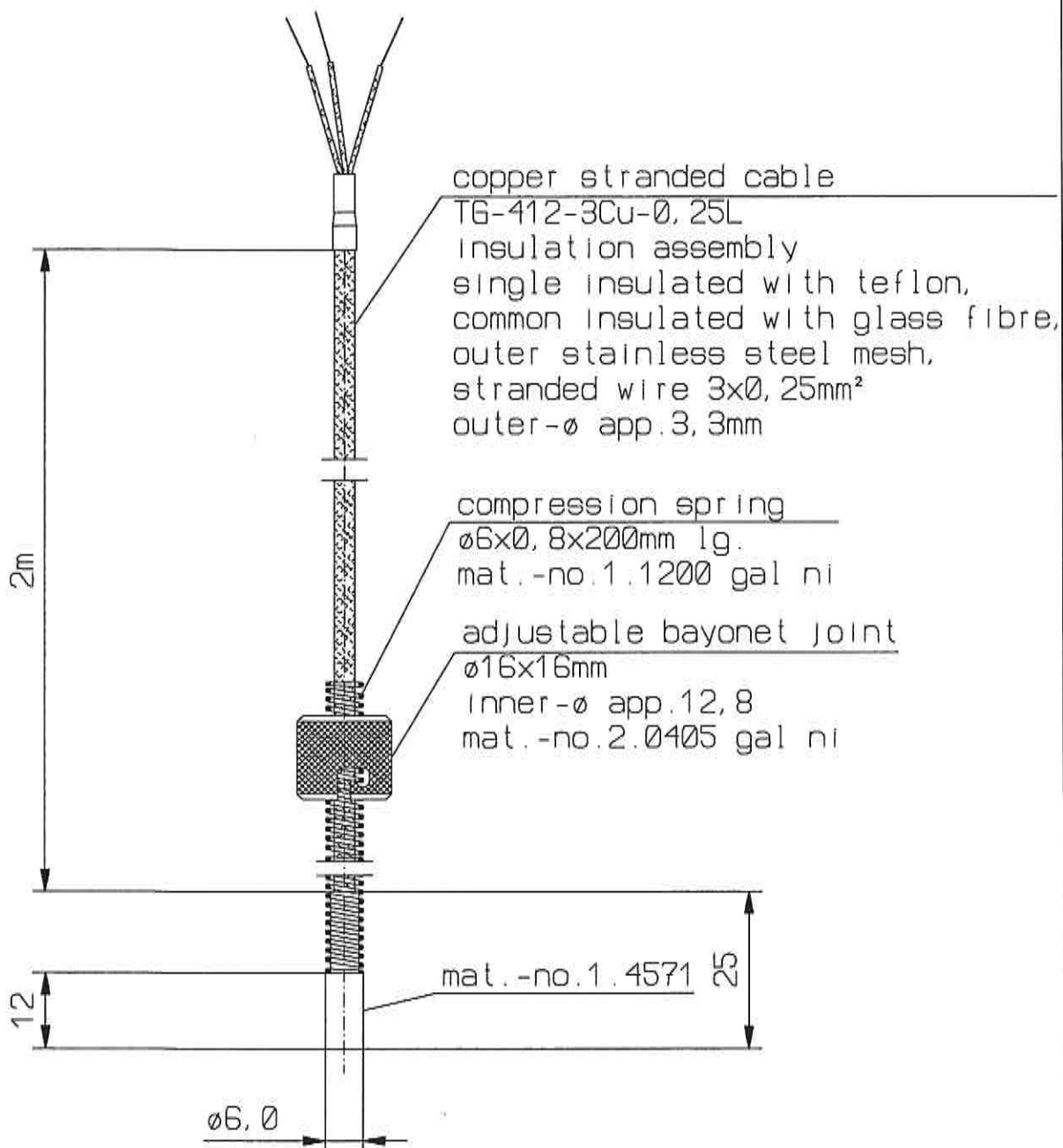
EBL=12, ground=plan, 3 wire ex res.

circuit	: 3 wire ex resistor
copper stranded cable	: TG-412-3Cu-0,25L
	: isolation
	: separately with Teflon
	: common with glass silk
	: outside stainless steel-mesh
	: section of stranded cable 3x0,25qmm
	: diam. outside approx. 3,2 mm
length of wire	: 2 m
protective rubber sleeve	: Ø 6x0,8 x 200 mm
	: mat.-no. 1.1200 (gal Ni)
bayonet cap	: Ø 16 mm
	: inert-Ø ca. 12,8 mm
	: 2 slots
tube	: Ø 6,0 mm
	: mat.-no.. 1.4571
tube length	: 25 mm
mounted length	: 12 mm
ground	: plan
measuring resistor	: FS
accuracy measuring resistor	: DIN IEC 751 cl. A/0°C
drawing no.	: 2-0920-00031


- Temperatura Baleros

- HAZEMAG -

ROESSEL Messtechnik GmbH & Co.
Lohstr.2, D-59368 Werne
Phone: +49(0)23 89/4 09-0
Fax: +49(0)23 89/4 09-80



circuit: 3-wire ex bulb

2004	Date	Name	Dimensions without spec. of tolerance acc. DIN 7168 middle, Surface acc. DIN 1302 row 2	RÖSSEL  MESSTECHNIK
Drawn	04.11.	Krause		
Checked				
Norm checked				
Scale	Resistance-Thermometer 1 x Pt100/0			Drawing-No.
%				2-0920-00031
/67/				Replacement for
			Replaced by	