

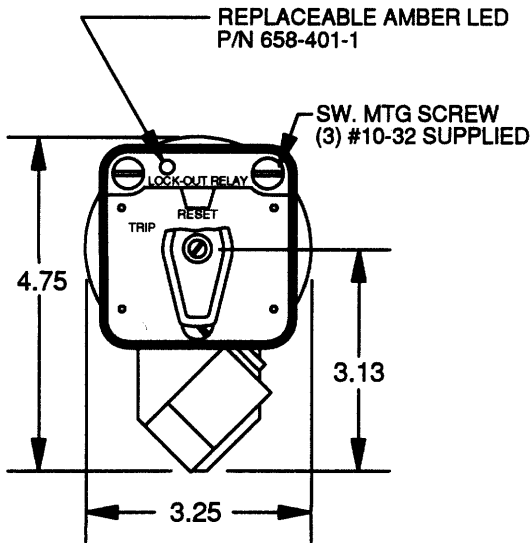


ELECTROSWITCH

UNIT OF ELECTRO SWITCH CORP.
WEYMOUTH, MASSACHUSETTS 02188
TEL: (781)335-5200 FAX: (781)335-4253

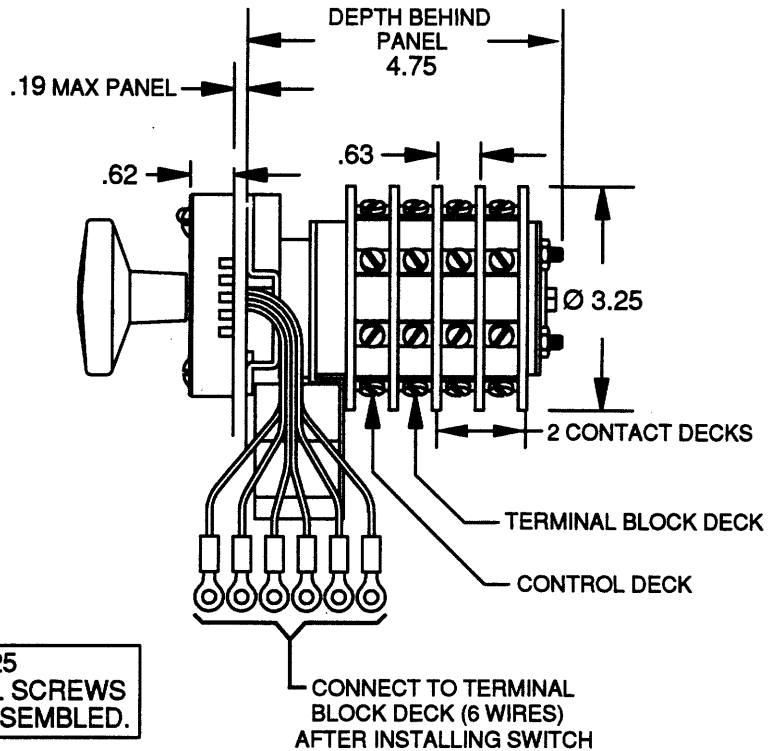
**SERIES 24
MANUAL RESET
LOCKOUT RELAY**

78PA02D



ENGRAVING CODE
100C-2L22

8-32 X .25
BD.HD.TERMINAL SCREWS
SUPPLIED UN-ASSEMBLED.

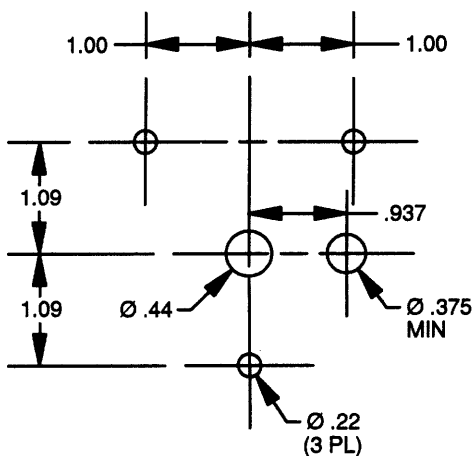


TRIP COIL SPECIFICATIONS	
NOMINAL VOLTAGE:	125 VDC
OPERATING RANGE:	30-140 VDC
THRESHOLD:	16 VDC (MIN)
COIL RESISTANCE:	27.0Ω
COIL BURDEN:	4.6 AMPS AT 125 VDC

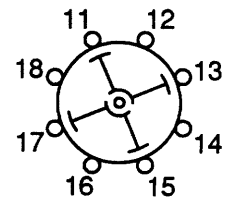
FOR FURTHER INFORMATION REFER TO
TECHNICAL PUBLICATION LOR-1

 FILE NO. E80080	20A-120VAC
	15A-240VAC
	6A-600VAC
	3A-125VDC
	20A-600VAC res
	15A-600VAC ind

PANEL DRILLING DIMENSIONS



DECK 1	CONTACTS		POSITION	
	TRIP	RESET	TRIP	RESET
11	13			X
12	18	X		
15	17			X
14	16	X		



MADE BY: SPB
APPR BY: MK

DATE: 04-20-12
DATE: 04-20-12

SHEET 1 OF 2

REVISIONS:

REV
0

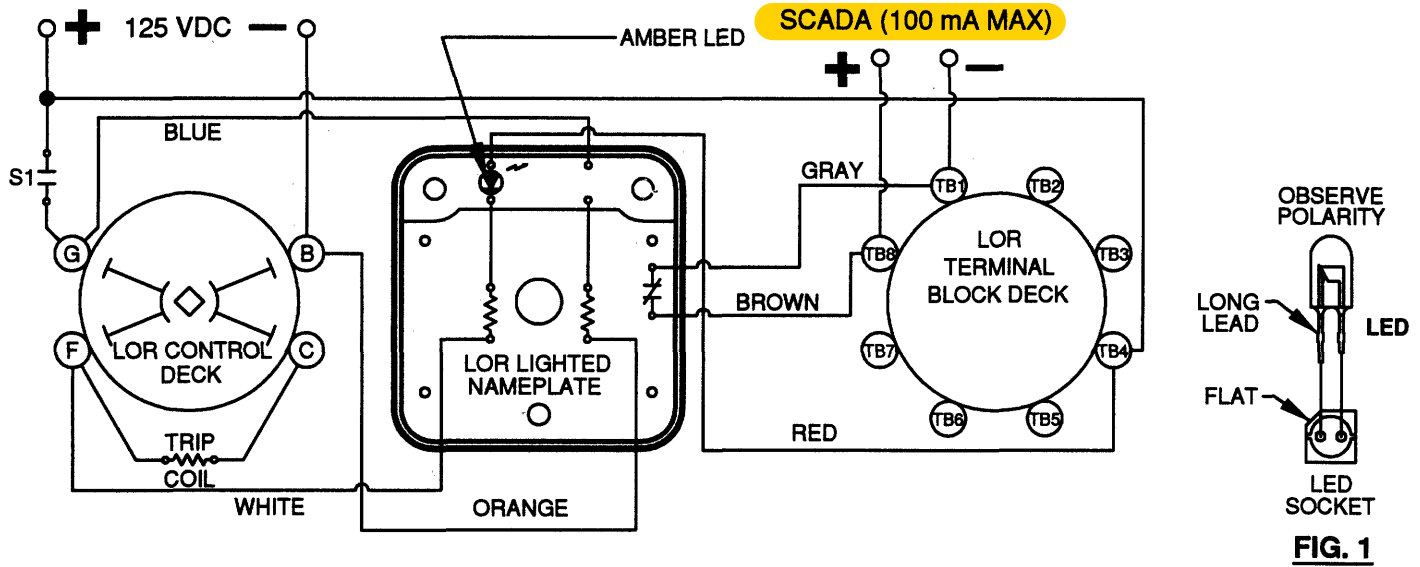


ELECTROSWITCH

UNIT OF ELECTRO SWITCH CORP.
WEYMOUTH, MASSACHUSETTS 02188
TEL: (781)335-5200 FAX: (781)335-4253

**SERIES 24
MANUAL RESET
LOCKOUT RELAY**

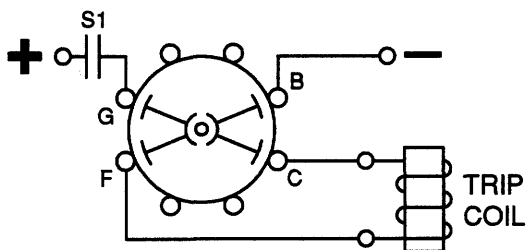
78PA02D



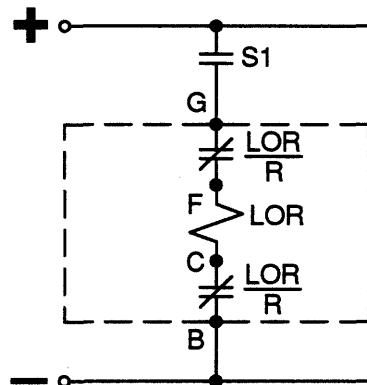
NOTES:

1. OPERATING VOLTAGE FOR LED NAMEPLATE: 37-140 VDC.
2. SCADA OUTPUT IS CONTROLLED BY TRIP COIL MONITOR. (100 mA MAX)
3. OBSERVE POLARITY WHEN INSERTING LED IN SOCKET (SEE FIG. 1)

CONTROL CIRCUIT



LAYOUT



SCHEMATIC

	CONTACTS	POSITION	
		TRIP	RESET
CONTROL DECK	B-O- - -O-C		X
	F-O- - -O-G		X

MADE BY: SPB
APPR BY: MK

DATE: 04-20-12
DATE: 04-20-12

SHEET 2 OF 2

REV 0

REVISIONS: SEE SHEET 1